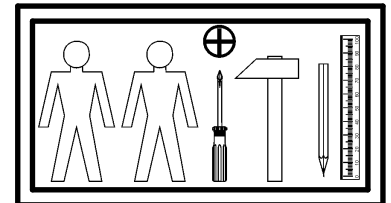
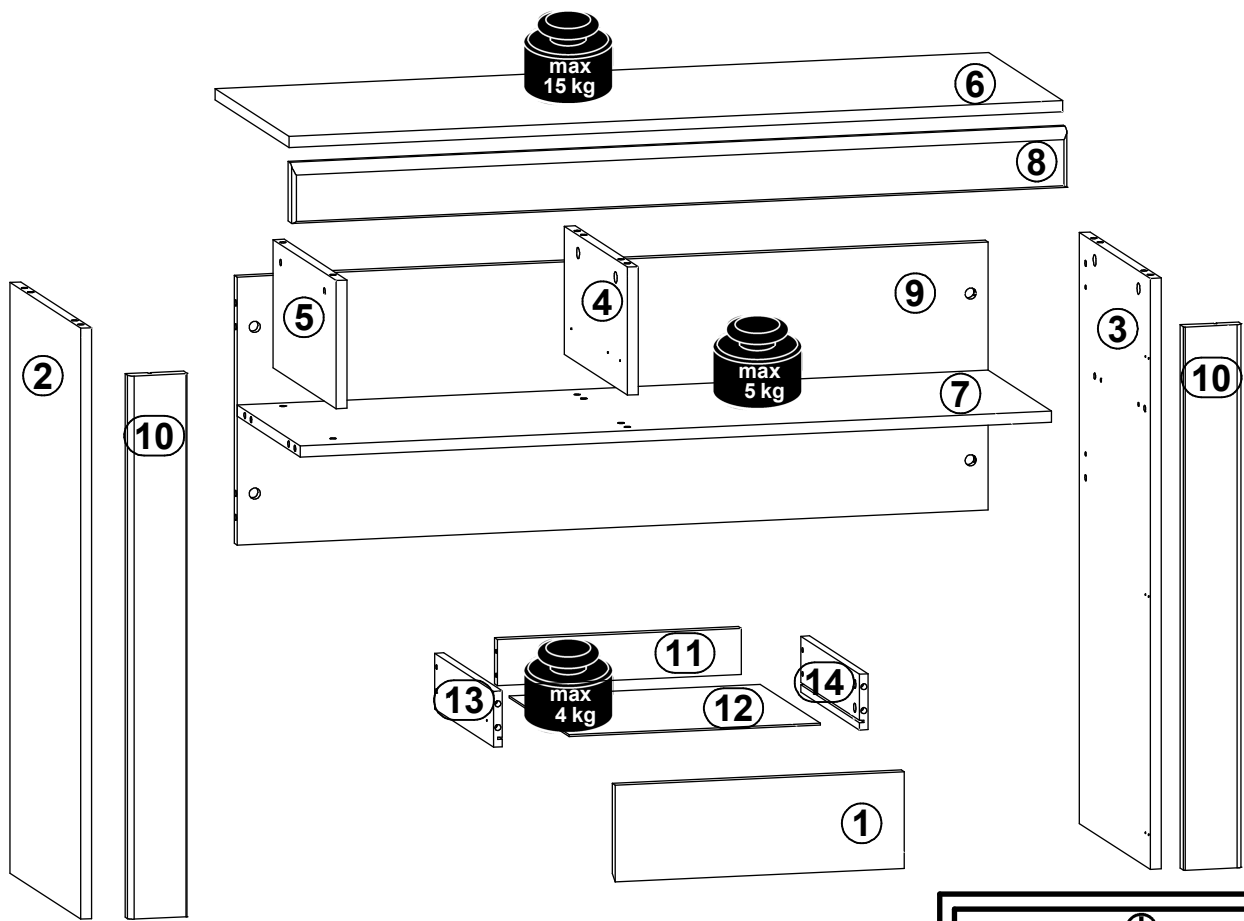
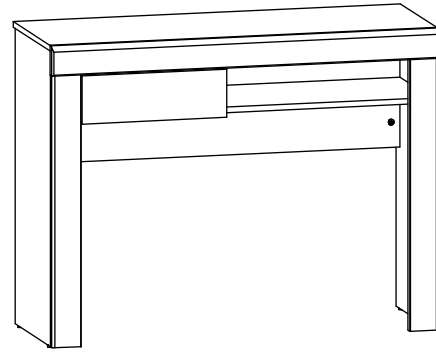
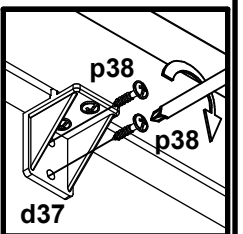
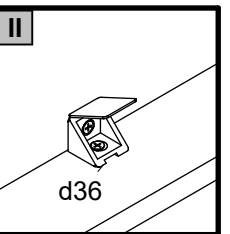
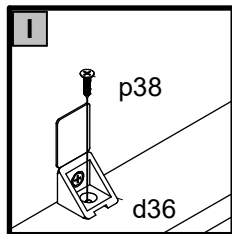
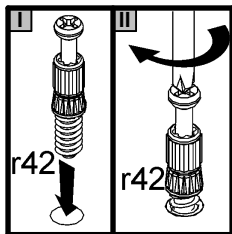
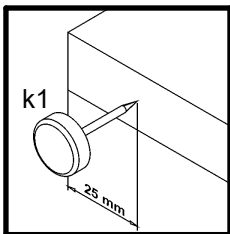
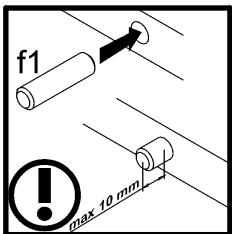
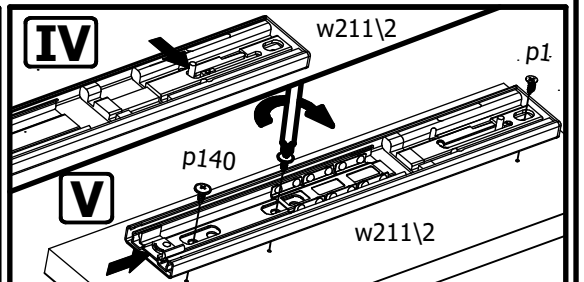
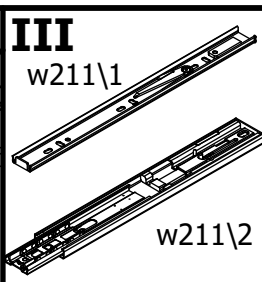
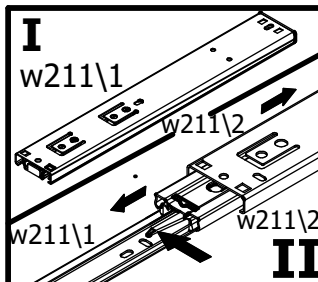
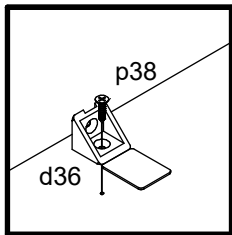
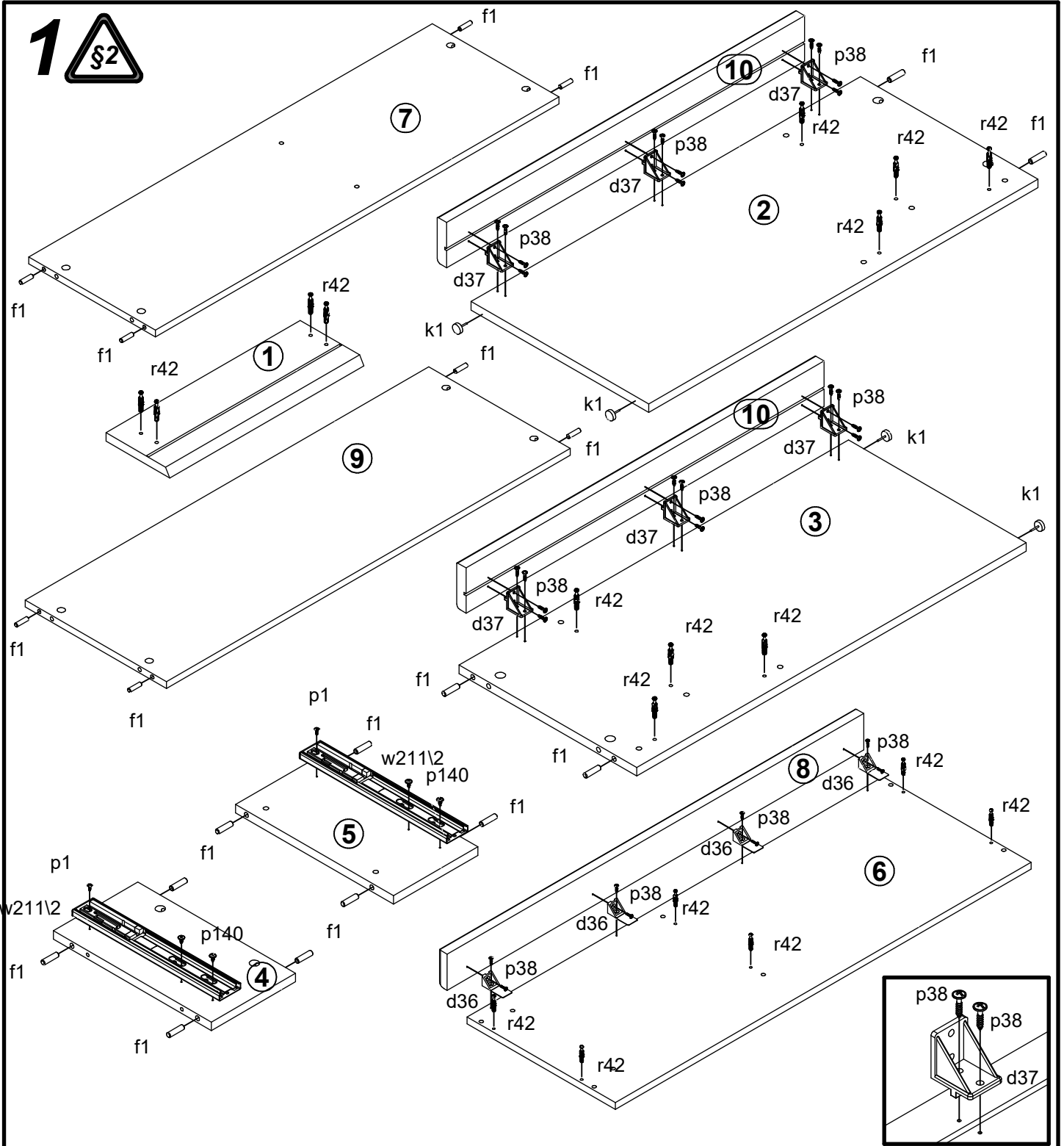


A	B	C	D
1	S440-0027	396	130
2	S440-1057	794	362
3	S440-1058	794	362
4	S440-1059	172	322
5	S440-1060	172	322
6	S440-2016	1060	378
7	S440-3039	1029	323
8	S440-5037	1062	80
9	S440-5058	1029	360
10	S440-5061	730	80
11	S440-5062	334	62
12	S440-9019	344	307
13	ZK4-531	300	75
14	ZK4-532	300	75

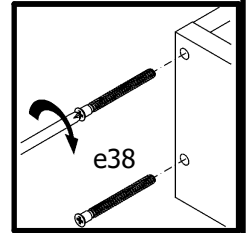
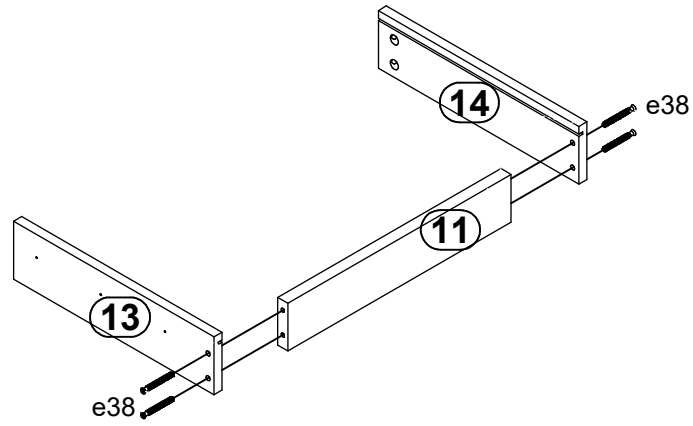


4x d36	6x d37	2x Ø7x50 mm e1	4x Ø6x45 mm e38	20x Ø8x30 mm f1	4x k1	2x Ø3.5x13 mm p1	10x Ø3.5x12 mm p140	35x Ø3.5x16 mm p38
14x Ø15x12 mm #16 r1	4x Ø12x10.5 mm #12 r15	18x 20/11 r42	2x L=300 mm w211 2	2x L=300 mm w211 1	2x Ø16 s2	1x 4 mm z1		

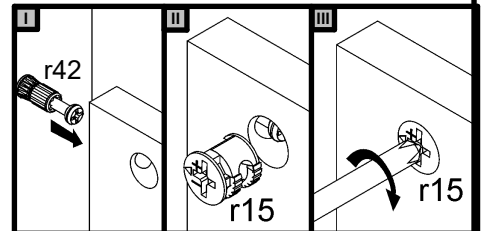
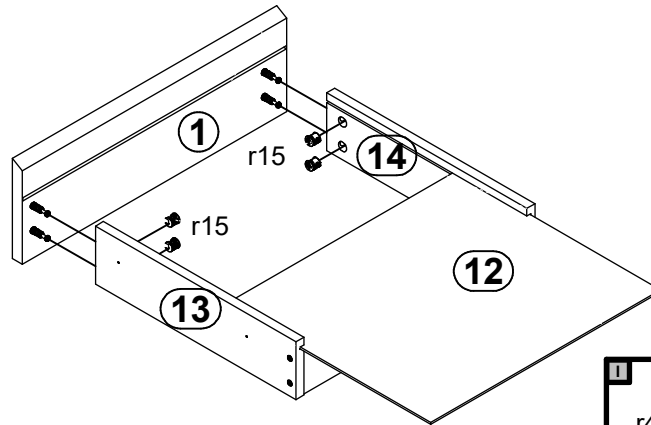
1 



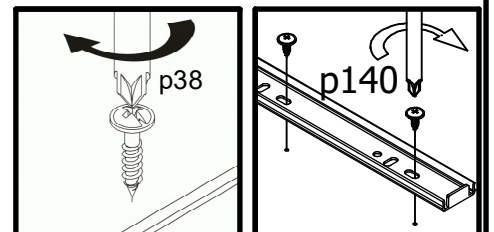
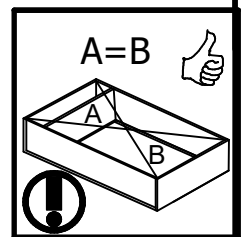
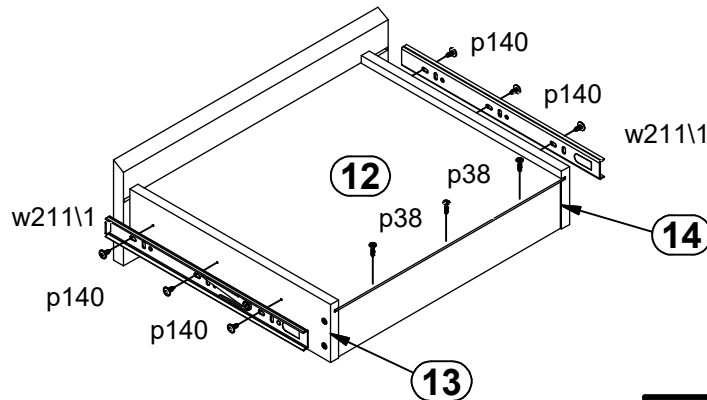
2



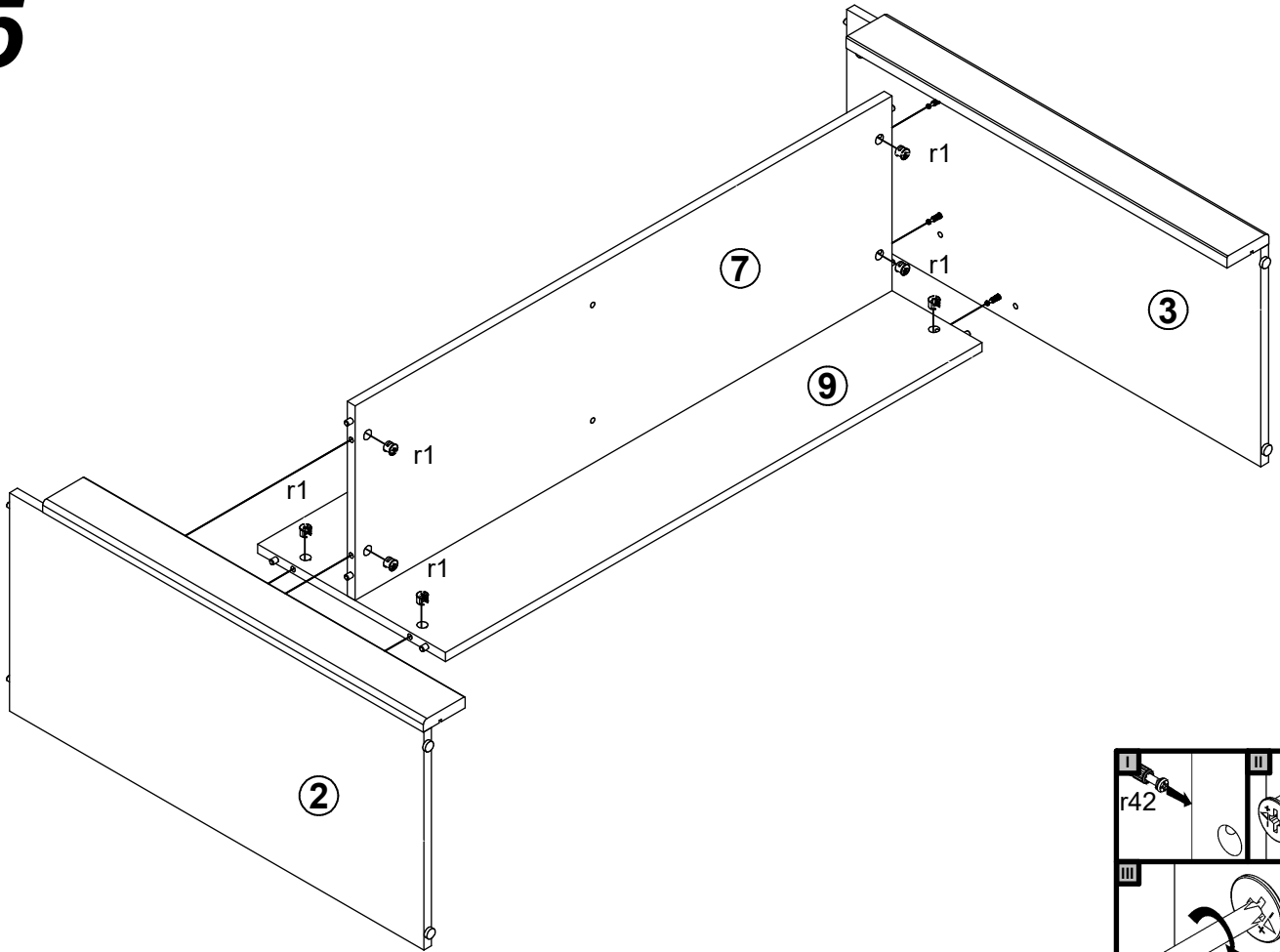
3



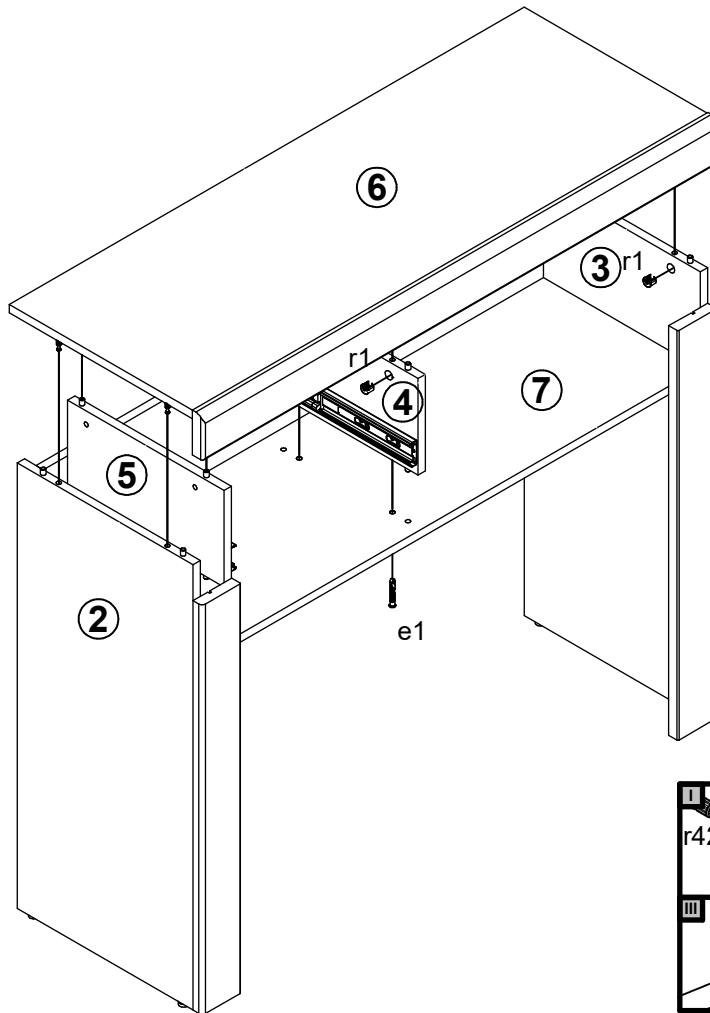
4



5



6



7

