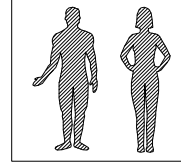
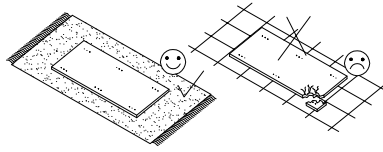
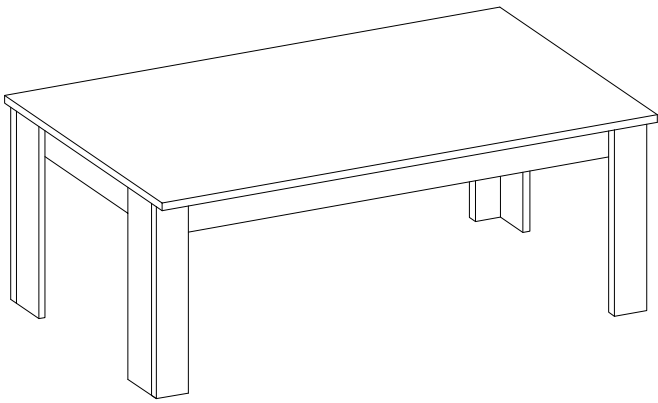
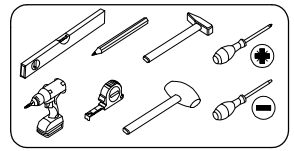
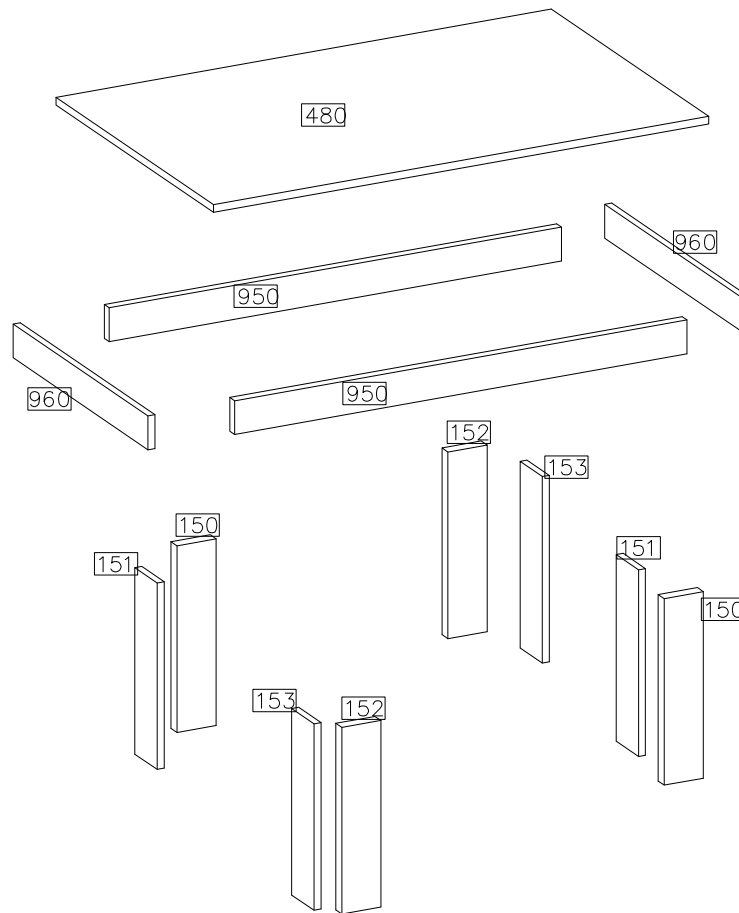
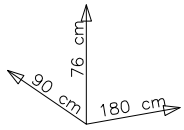


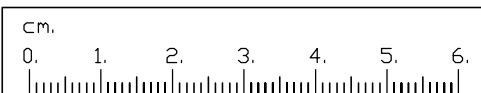
AGAWA 15



#	ART. NR	QUANTITY
1	480	1
2	950	2
3	960	2
4	150	4
5	151	4
6	152	4
7	153	4



	$\varnothing 15/12\text{mm}$ 		$\varnothing 8 \times 30\text{mm}$ 	$4.0 \times 30\text{mm}$ 	
D1	C	E	A	R2	F1
30	30	18	14	16	8



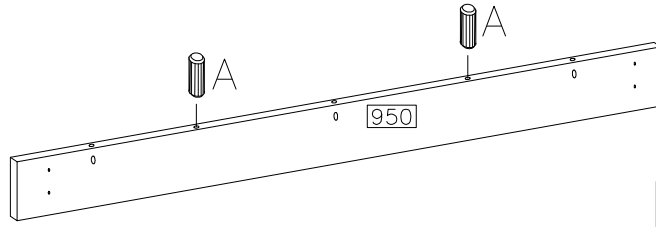
1

∅8x30mm

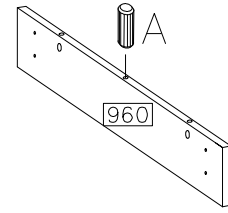


A

6



2x

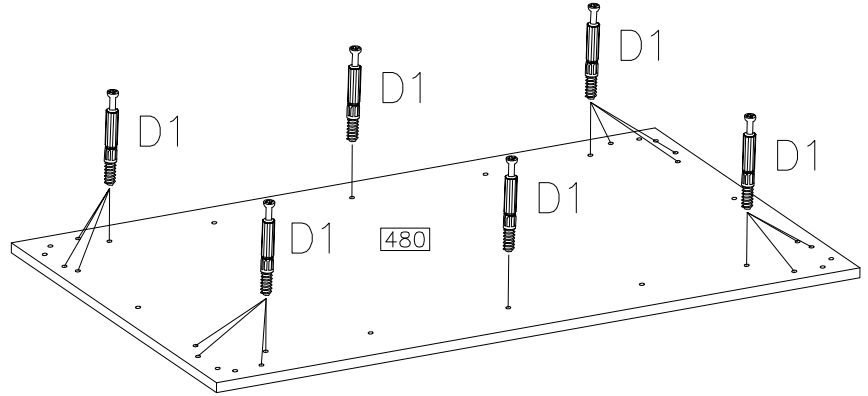
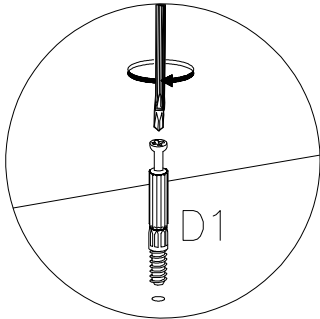


2



D1

18



3



D1

12

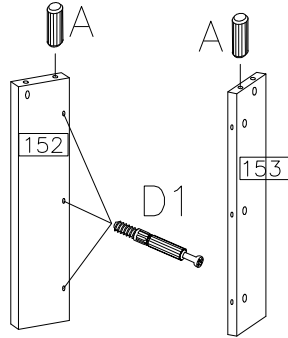
∅8x30mm



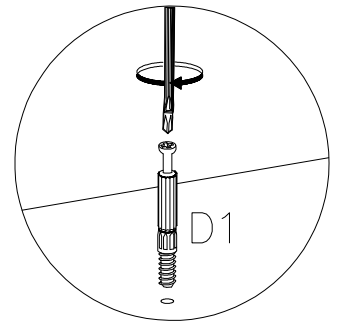
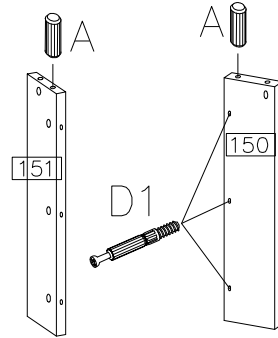
A

8

2x



2x



4

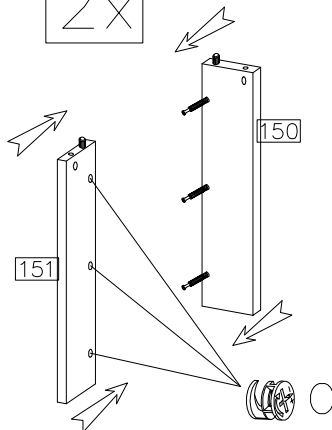
∅15/12mm



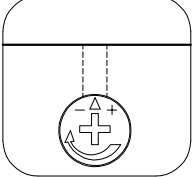
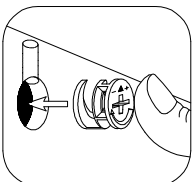
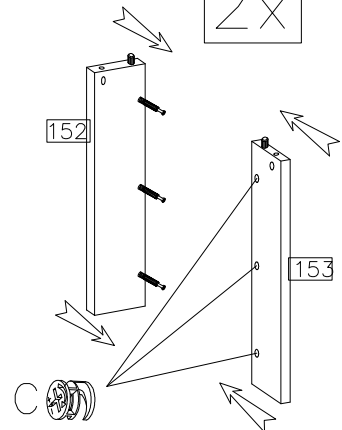
C

12

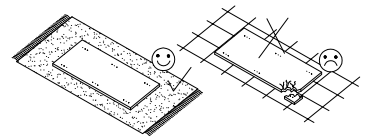
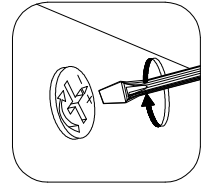
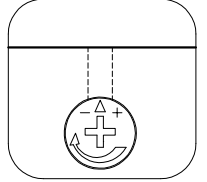
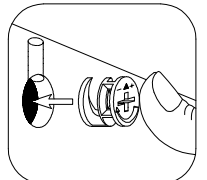
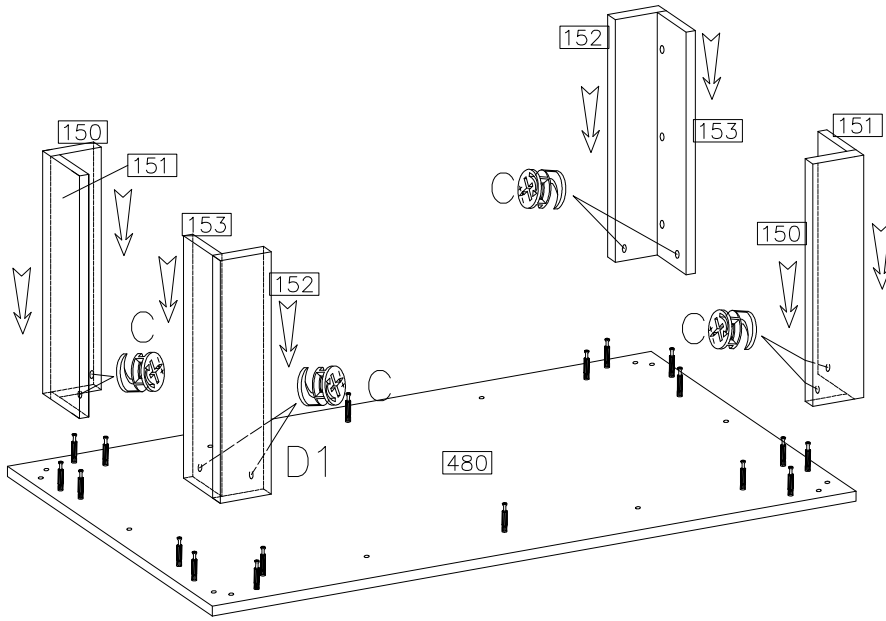
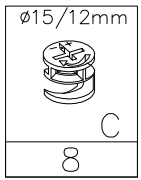
2x



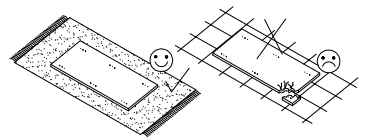
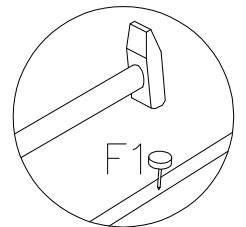
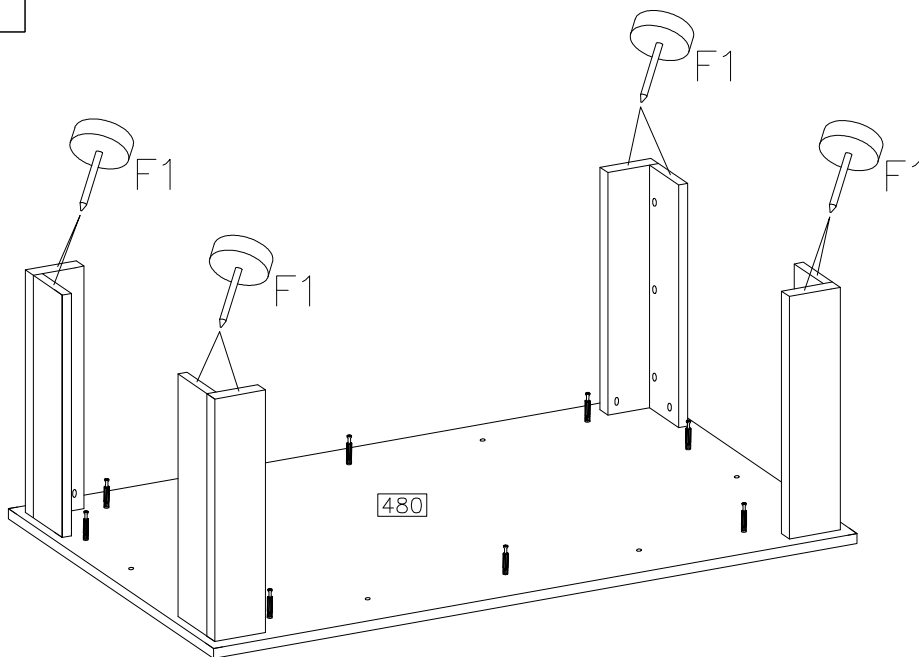
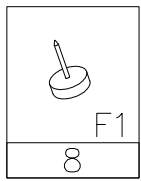
2x



5



6



7

∅15/12mm



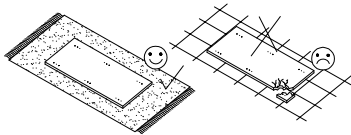
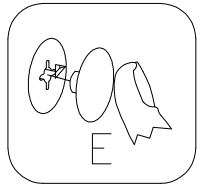
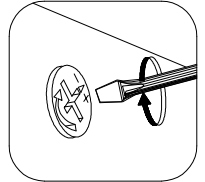
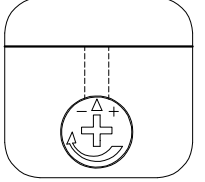
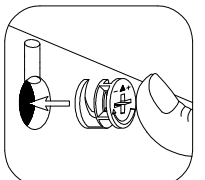
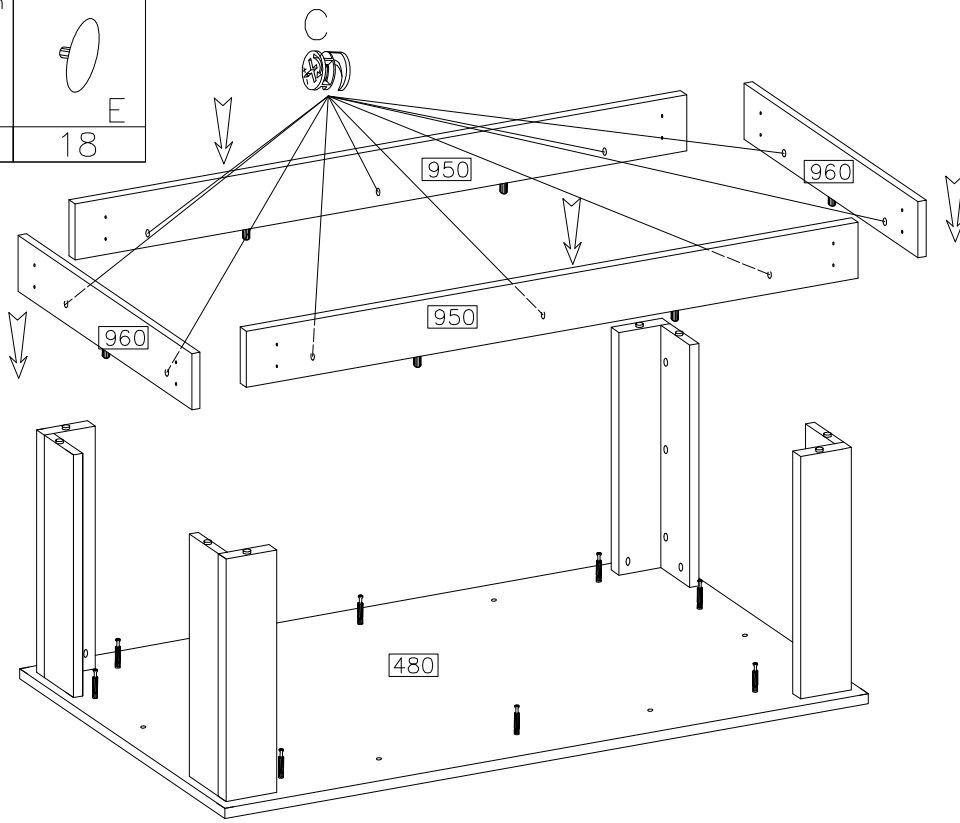
C

10



E

18



8

4.0x30mm



R2

16

