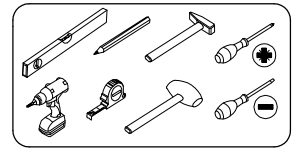


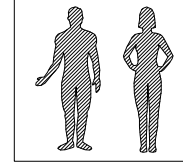
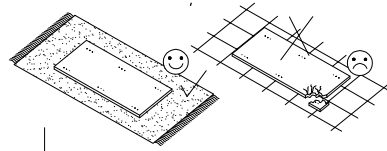
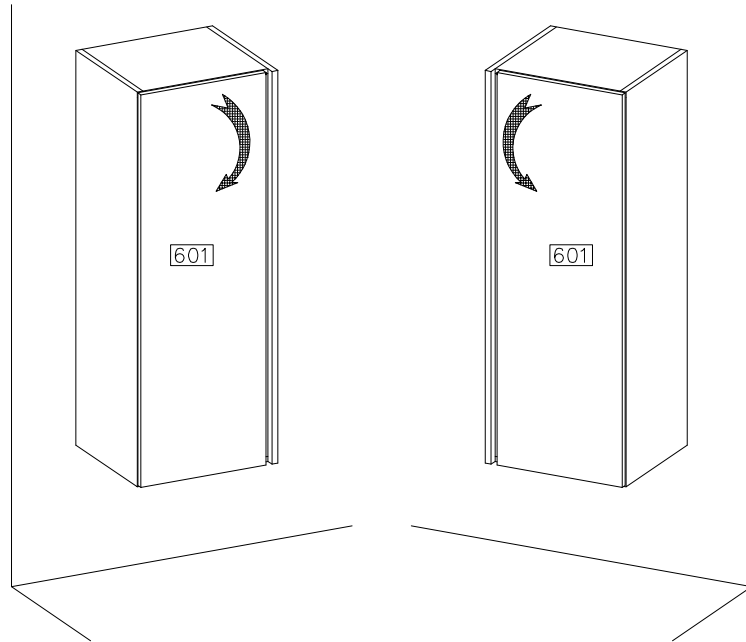
NORI

SZAFKA WISZĄCA

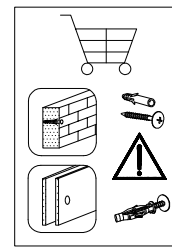
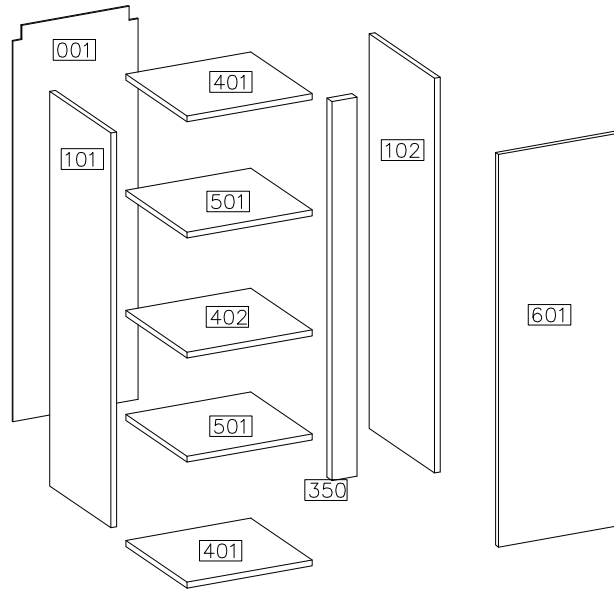
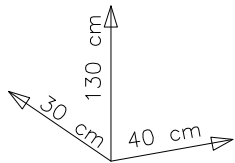





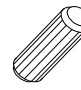

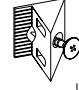
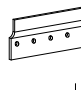
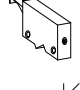





VERSION - L

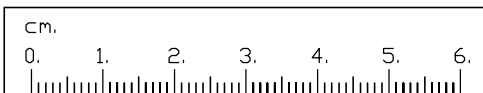
VERSION - R




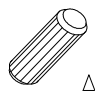
#	ART. NR	QUANTITY
1	401	2
2	402	1
3	101	1
4	102	1
5	001	1
6	601	1
7	350	1
8	501	2

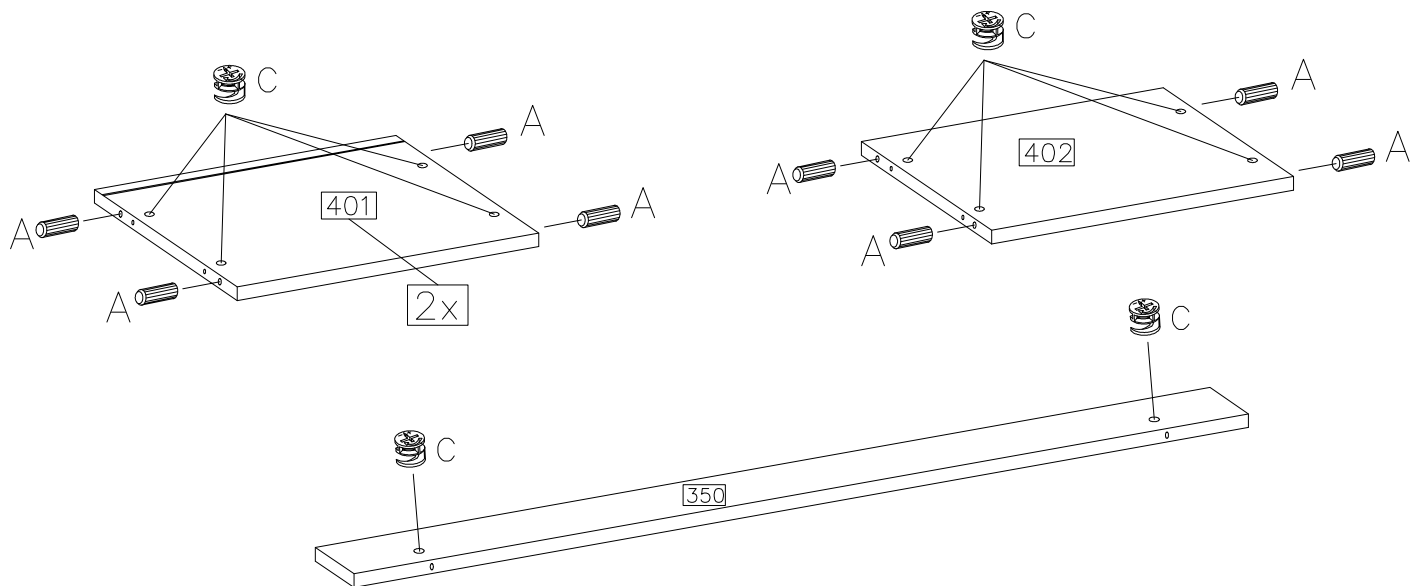
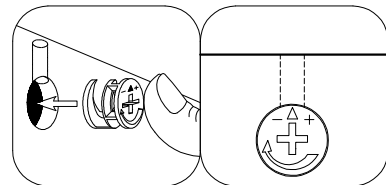


	 $\varnothing 15/12\text{mm}$		 $\varnothing 8 \times 30\text{mm}$	 $\varnothing 4.0 \times 16\text{mm}$				 $4.0 \times 30\text{mm}$
14	14	14	12	6	10	2	2	4
	 H=0	 $\varnothing 35/KR-0$						
3	3	3	8					


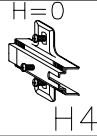



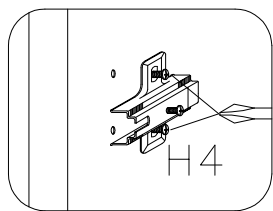
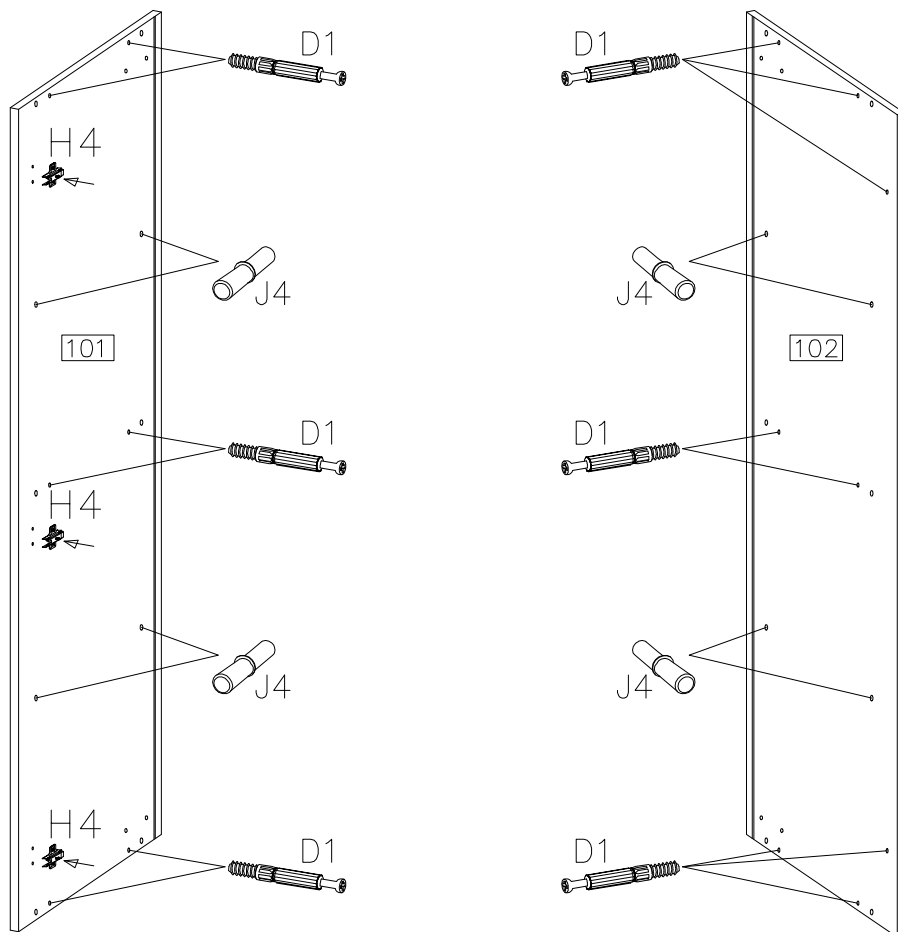
1

$\varnothing 15/12$  C 14	$\varnothing 8 \times 30$  A 12
---	---

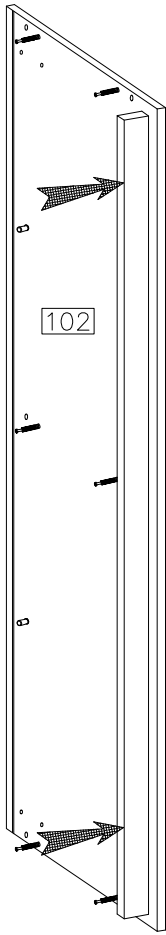
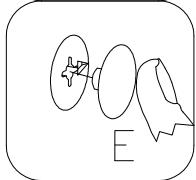
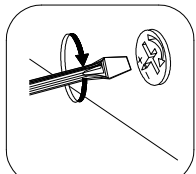
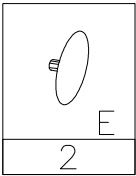


2

 D1 14	 H=0 H4 3
 J4 8	

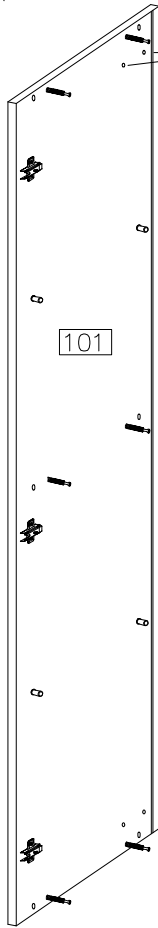
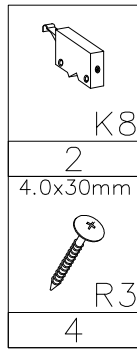


3

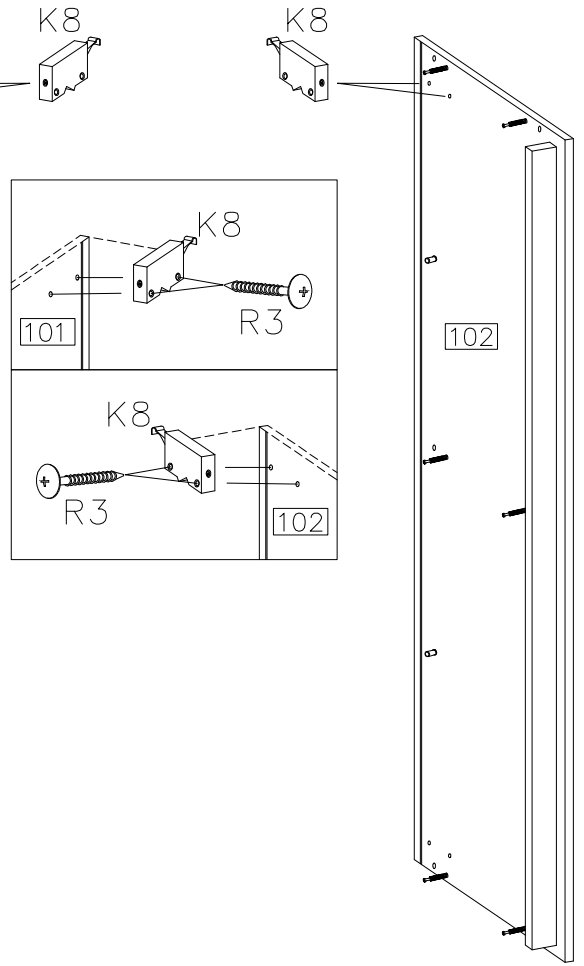


4

A



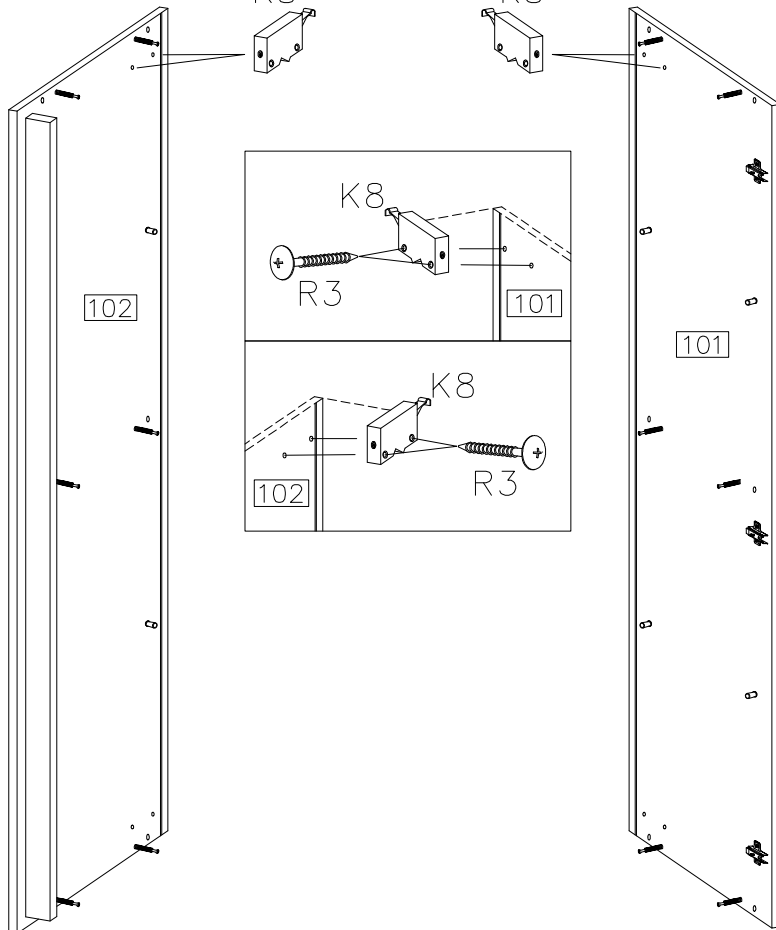
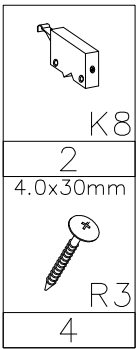
VERSION - L



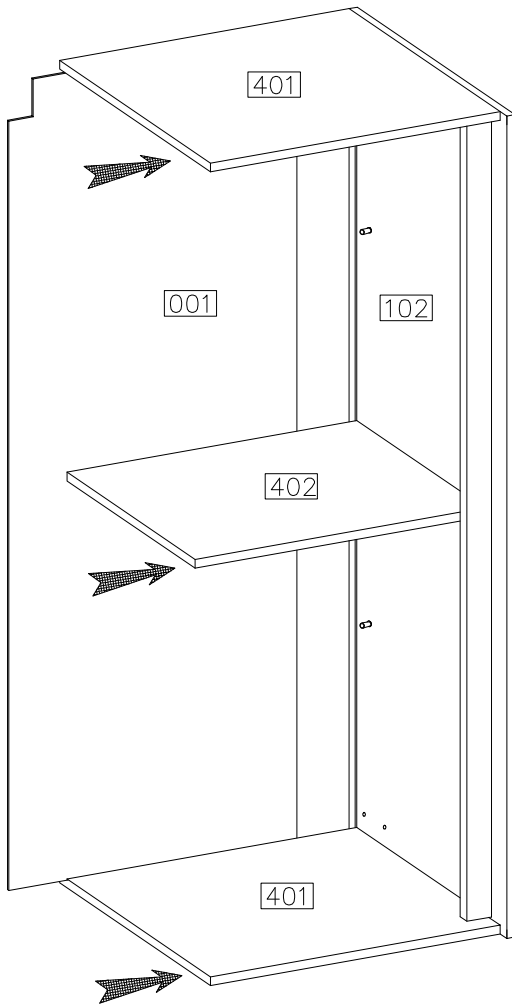
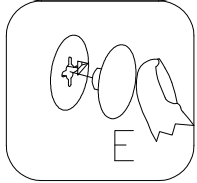
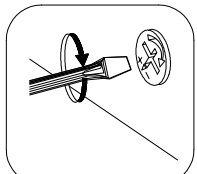
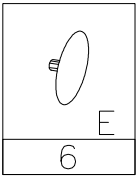
4

B

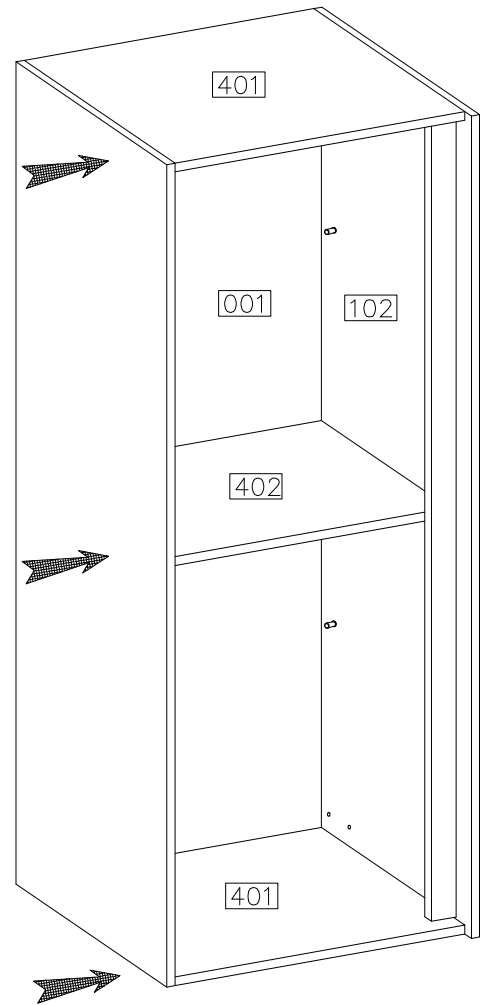
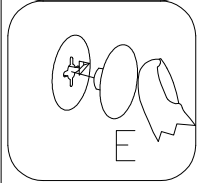
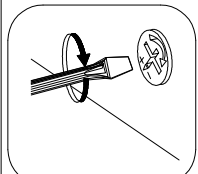
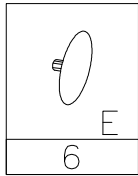
VERSION - R



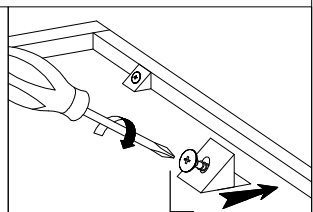
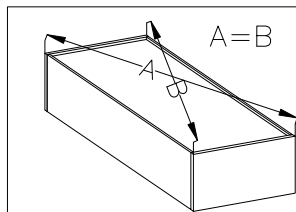
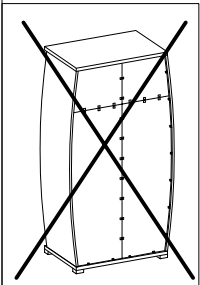
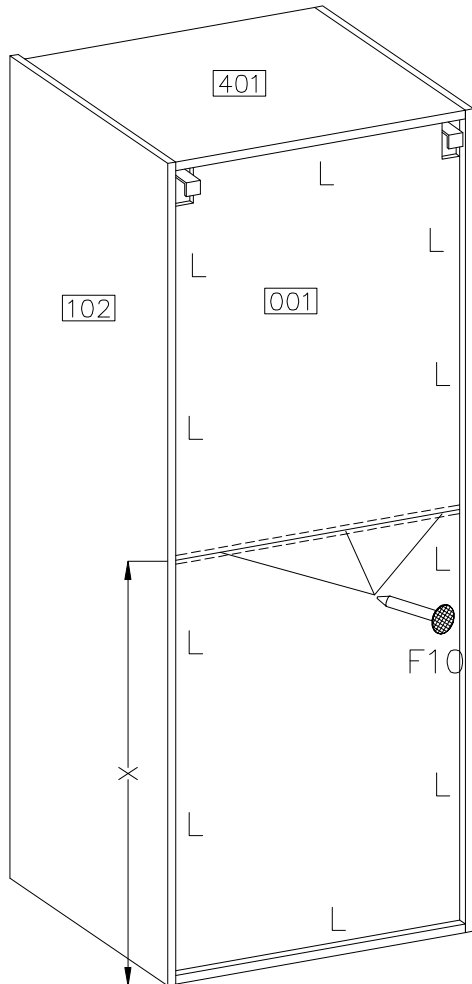
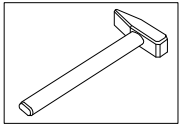
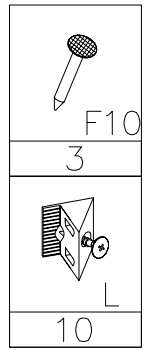
5



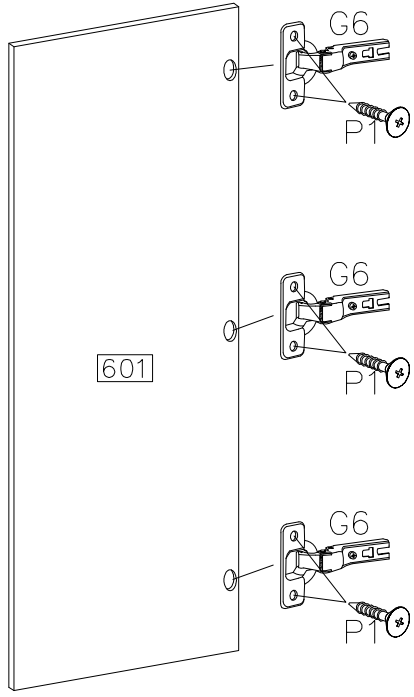
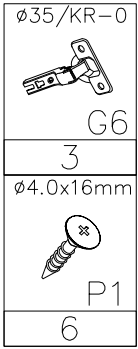
6



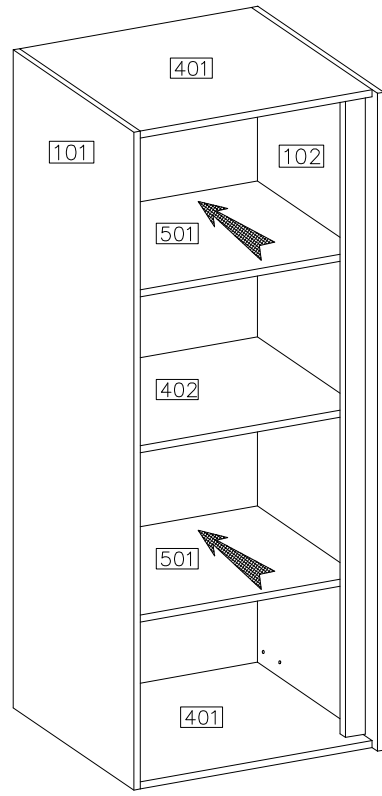
7



8



9



10

