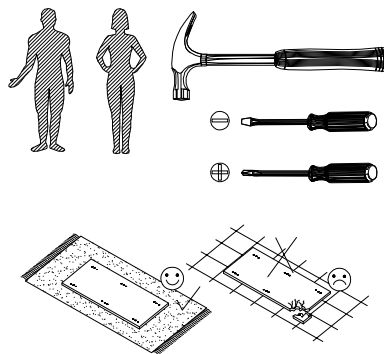
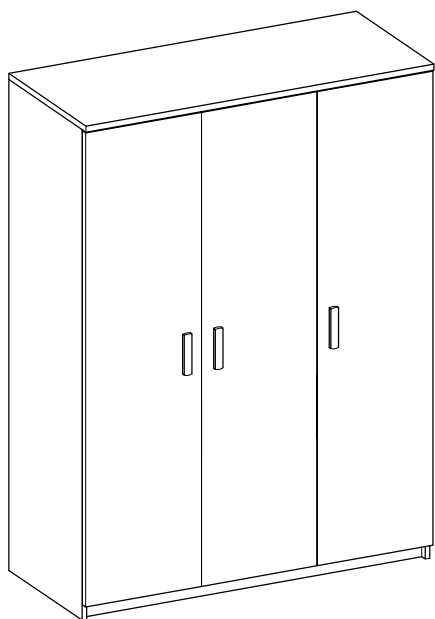
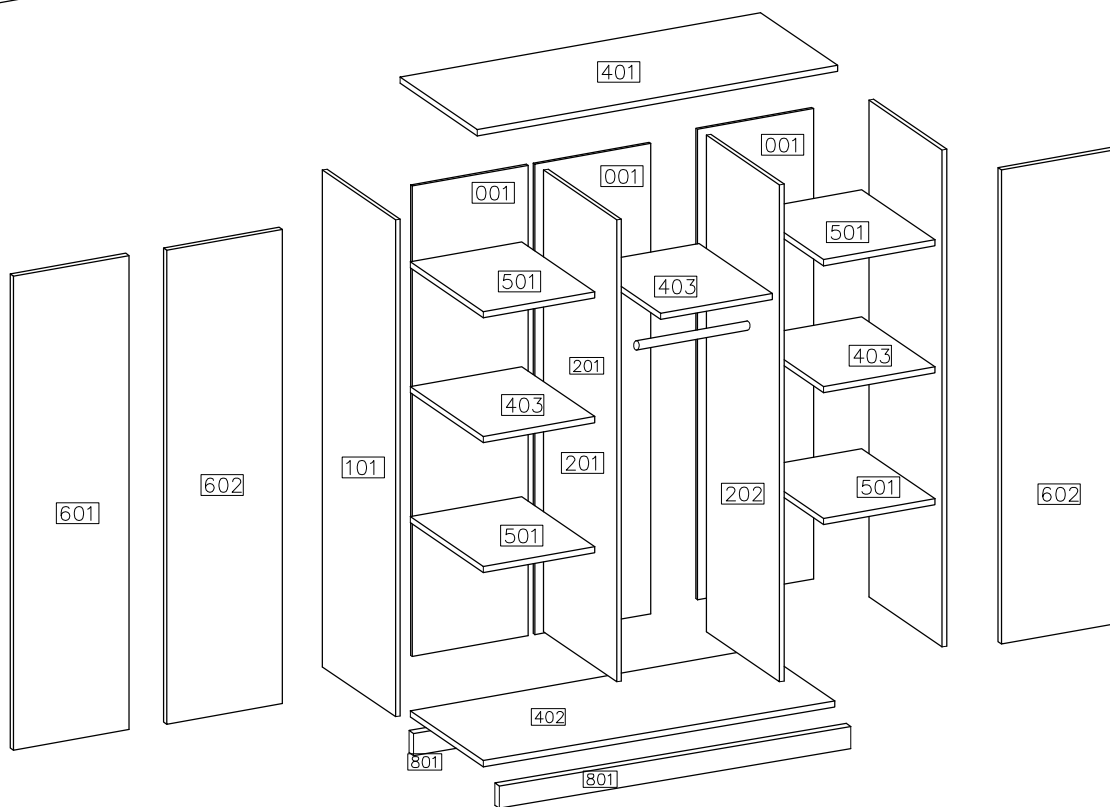
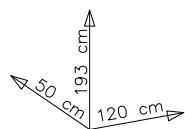


SMYK / SMYK II / SMYK III

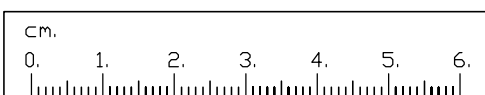
SZAFA 3D - 19



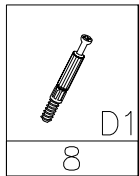
| # | ART. NR | QUANTITY |
|----|---------|----------|
| 1 | 401 | 1 |
| 2 | 402 | 1 |
| 3 | 403 | 3 |
| 4 | 101 | 1 |
| 5 | 102 | 1 |
| 6 | 201 | 1 |
| 7 | 202 | 1 |
| 8 | 001 | 3 |
| 9 | 801 | 2 |
| 10 | 501 | 4 |
| 11 | 601 | 1 |
| 12 | 602 | 2 |



| | | | | | | | | |
|---|--|---|---------|----------|---------------------------------------|--|---|---------|
| $\varnothing 8 \times 30 \text{ mm}$ A 50 | $\varnothing 15 / 12 \text{ mm}$ D1 28 | $\varnothing 15 / 12 \text{ mm}$ C 28 | E 28 | F9 8 | $3.5 \times 13 \text{ mm}$ P2 4 | $\varnothing 4.0 \times 16 \text{ mm}$ P1 18 | $\varnothing 35 / \text{KR}-8$ G8 3 | |
| F10 60 | F8 20 | $4.0 \times 42 \text{ mm}$ R2 6 | S1 3 | O10 2 | J4 16 | O12 1 | $\varnothing 35 / \text{KR}-0$ G6 6 | H4 9 |

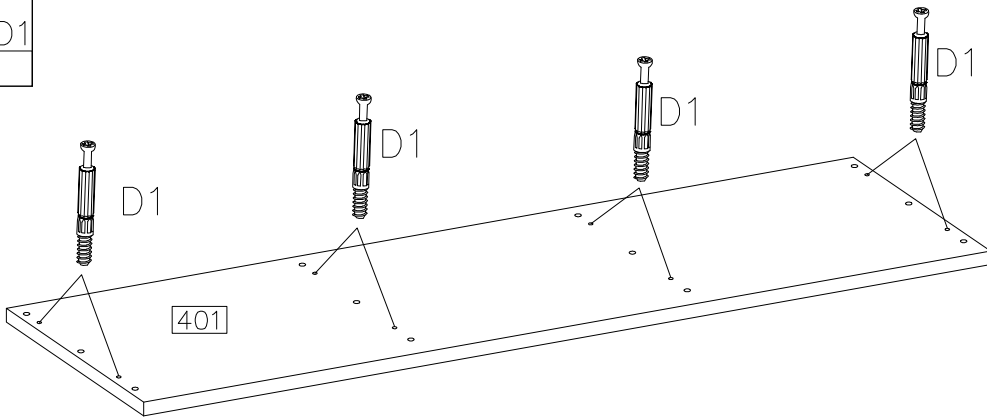


1



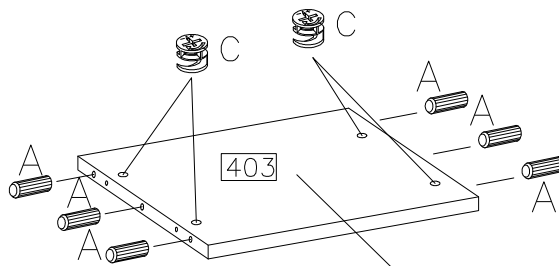
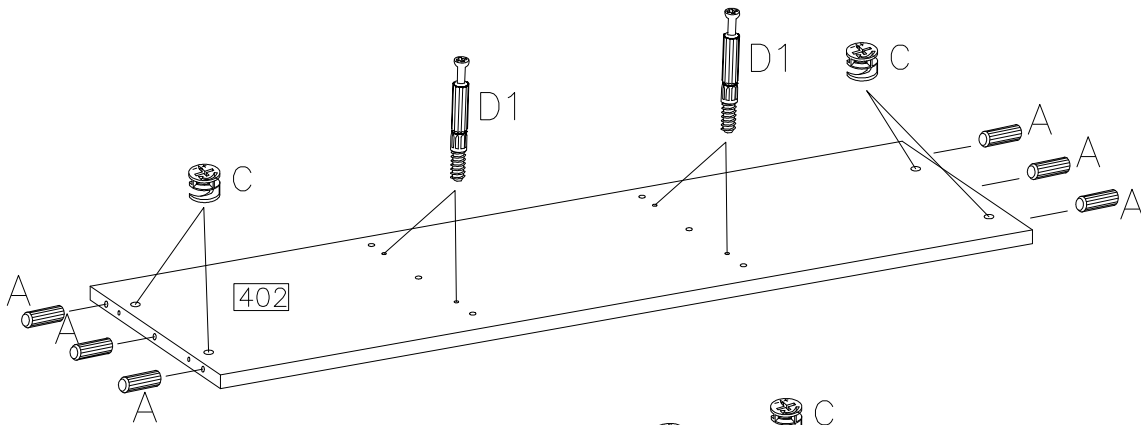
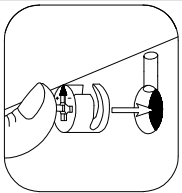
D1

8

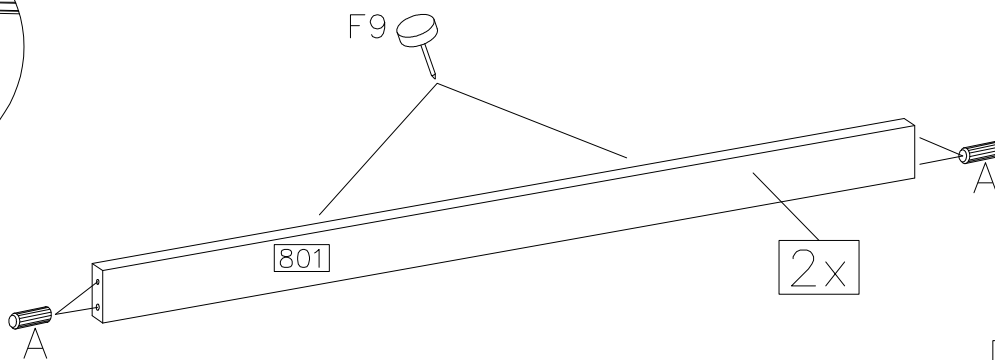
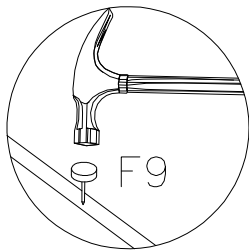


2

| | | | |
|-------------------------------------|---------------------------------|----|----|
| $\varnothing 8 \times 30 \text{mm}$ | $\varnothing 15 / 12 \text{mm}$ | | |
| | | | |
| A | C | D1 | F9 |
| 32 | 16 | 4 | 4 |

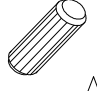


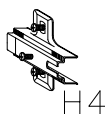




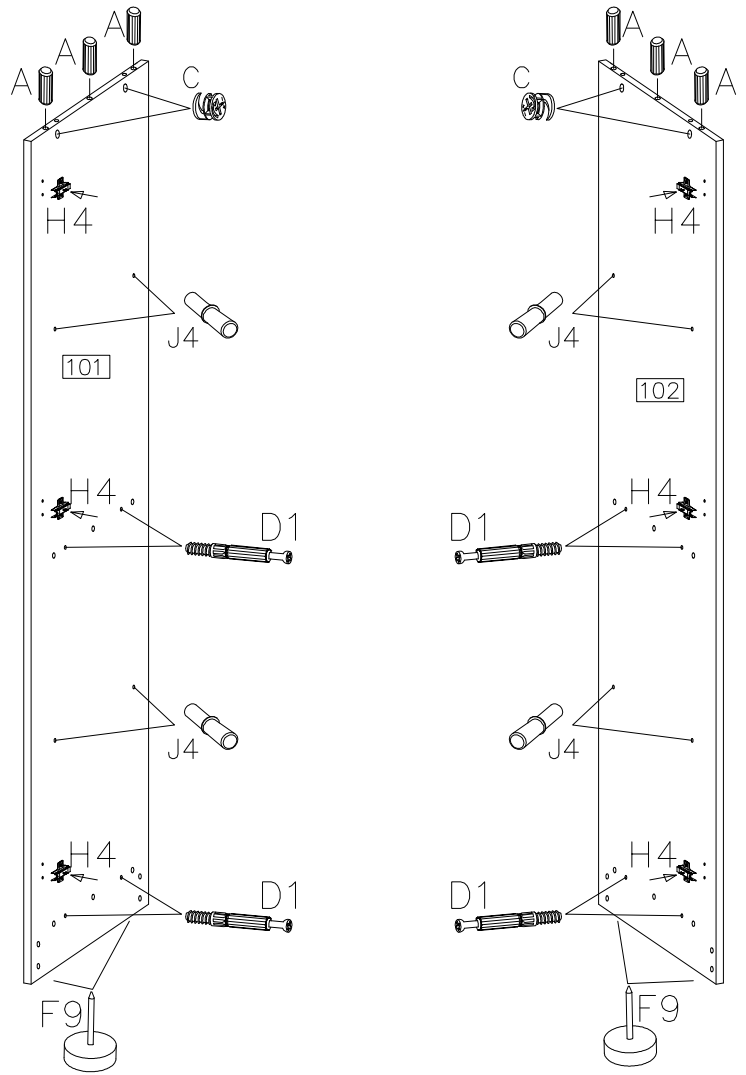
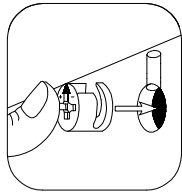
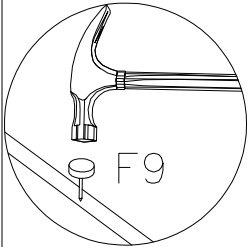
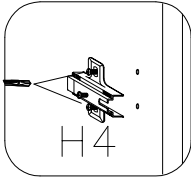
3x




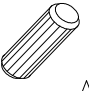

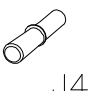

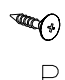
2x

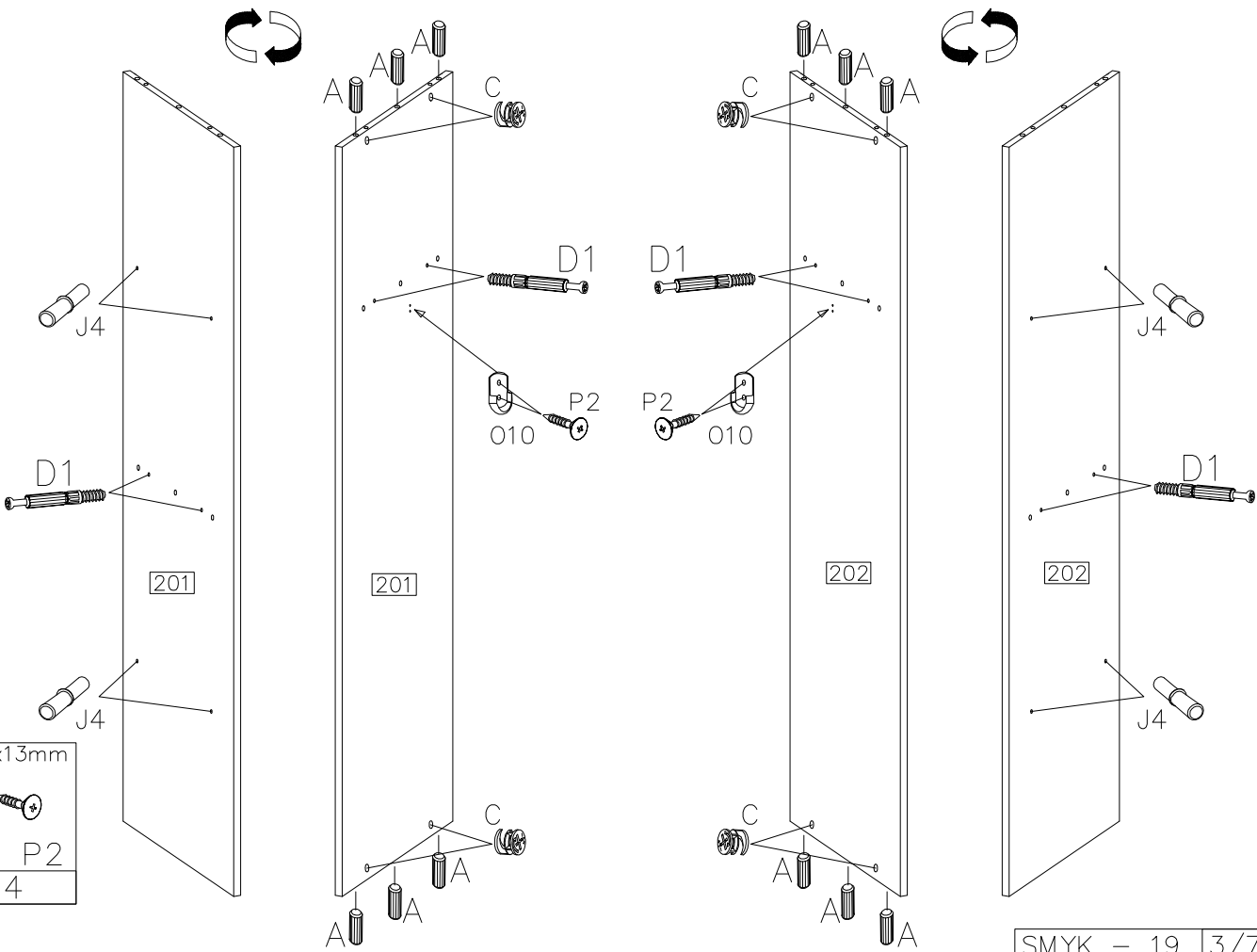
3

| | |
|---|---|
|  <p>ø8x30mm A</p> |  <p>D1</p> |
| 6 | 8 |
|  <p>F9</p> |  <p>H4</p> |
| 4 | 6 |
|  <p>C</p> |  <p>J4</p> |
| 4 | 8 |

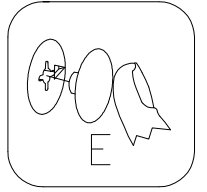
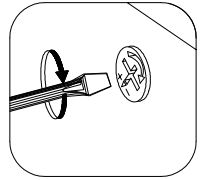
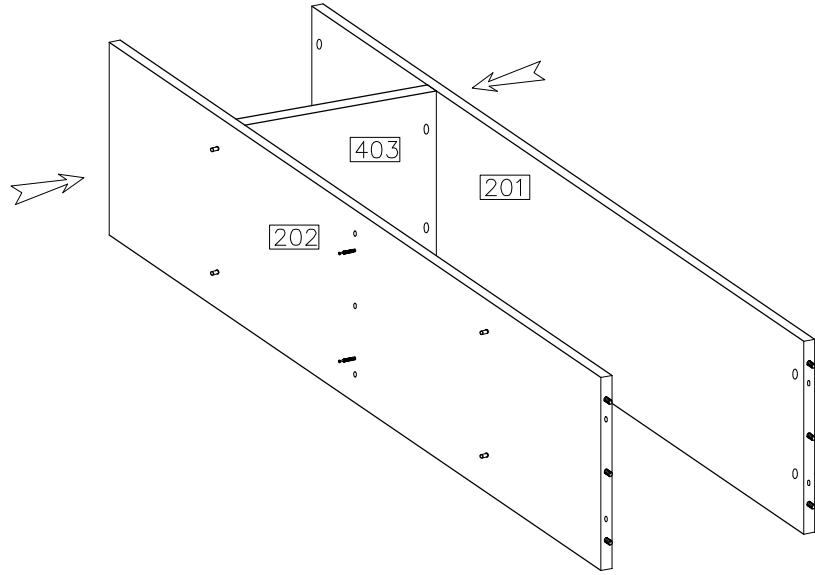
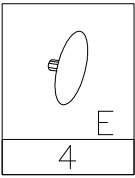


4

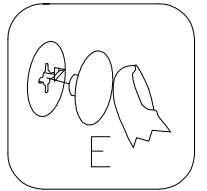
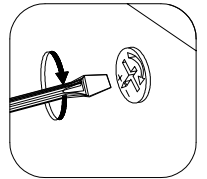
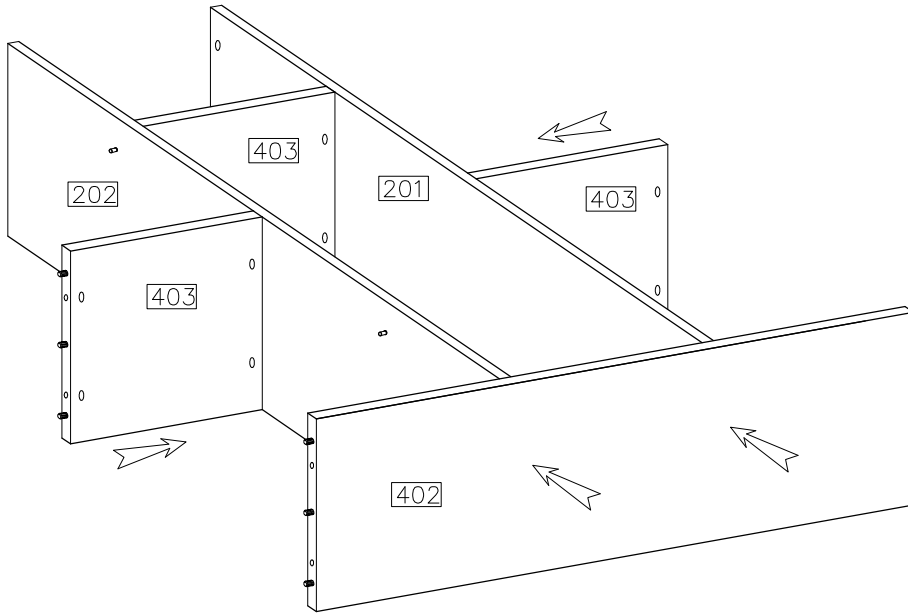
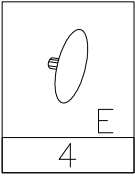
| | |
|---|---|
|  <p>D1</p> | 8 |
|  <p>A</p> | 12 |
|  <p>C</p> | 8 |
|  <p>J4</p> | 8 |
|  <p>O10</p> |  <p>P2</p> |
| 2 | 4 |



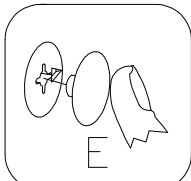
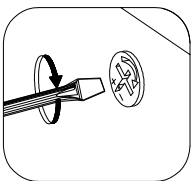
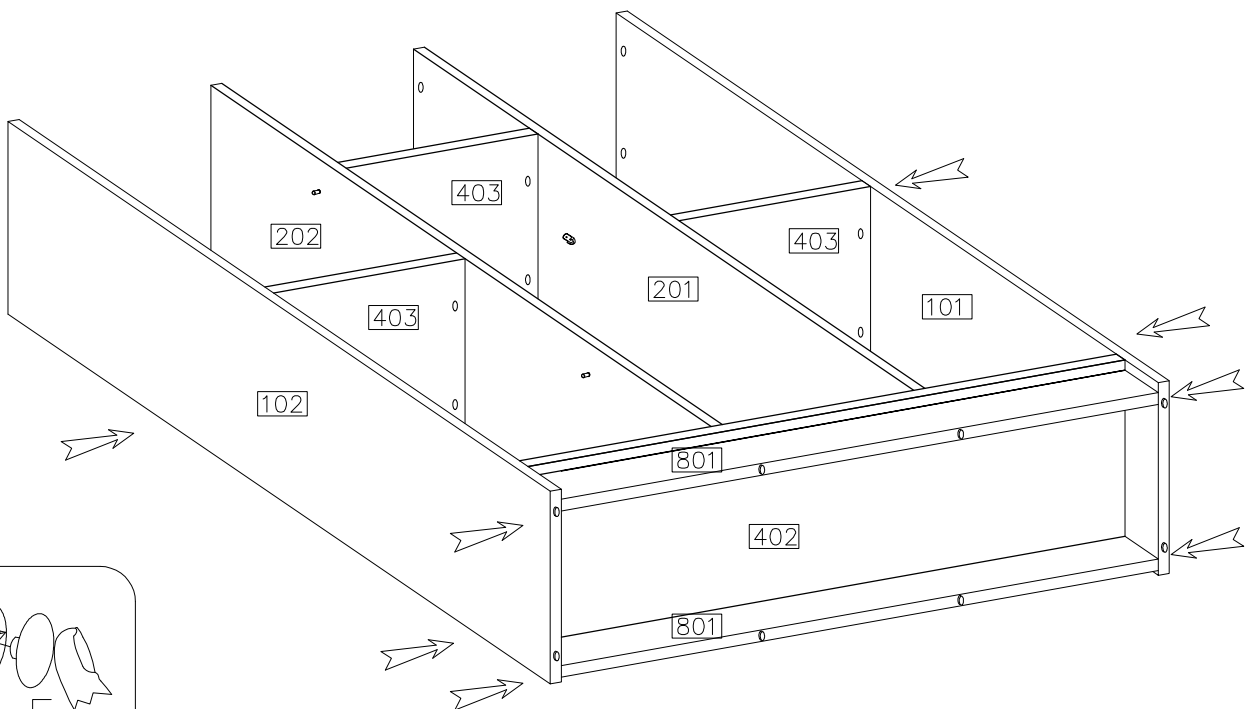
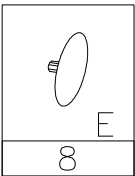
5



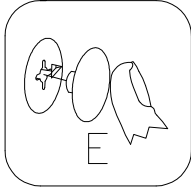
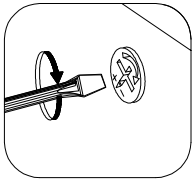
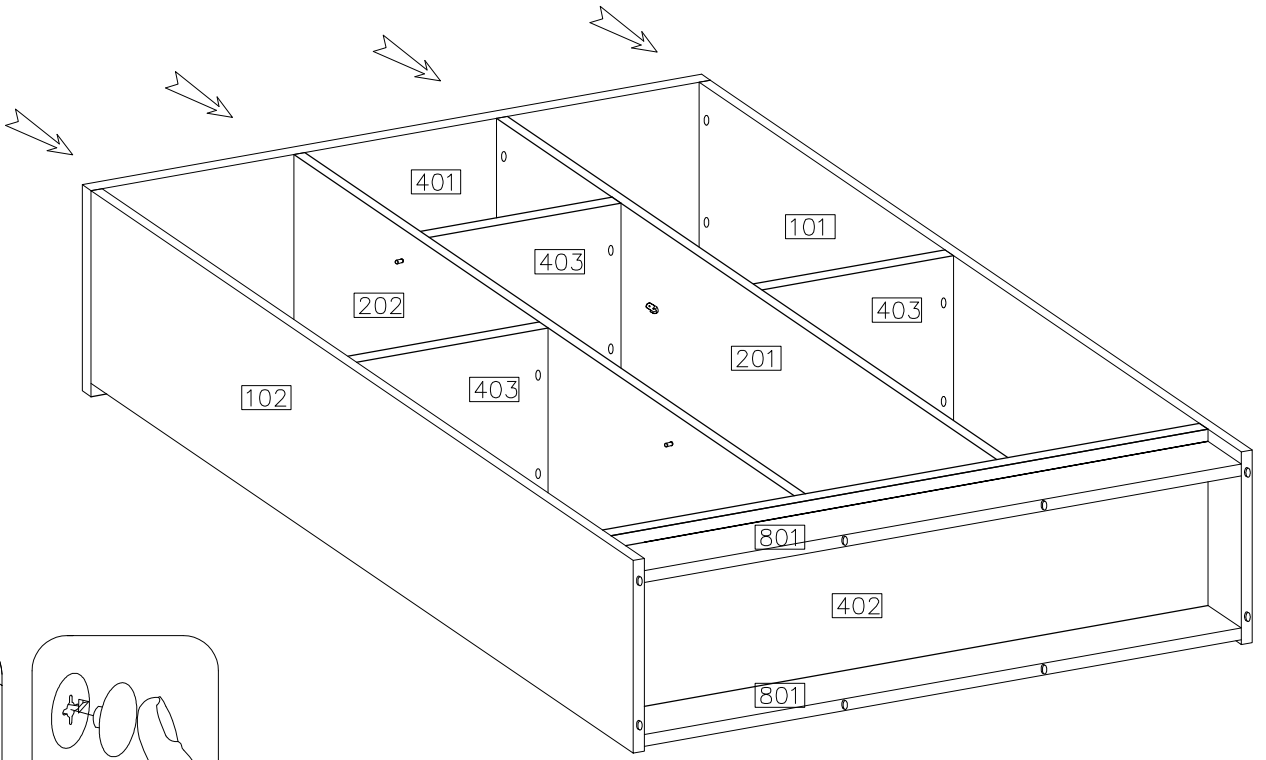
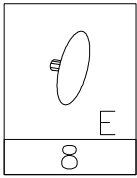
6



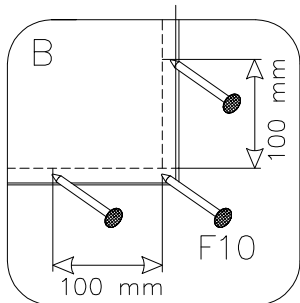
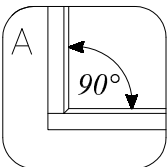
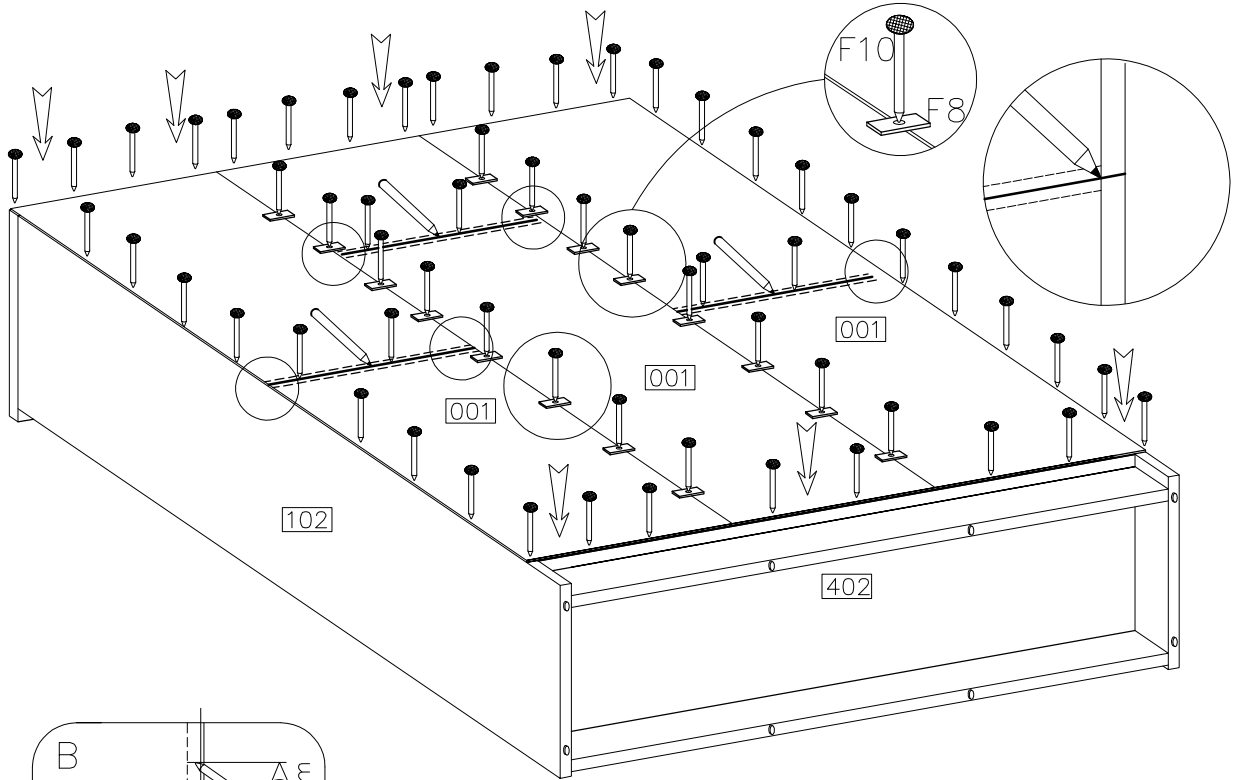
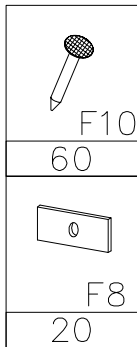
7



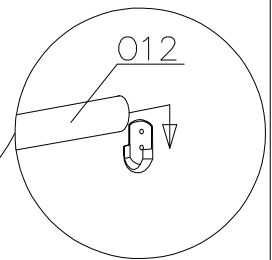
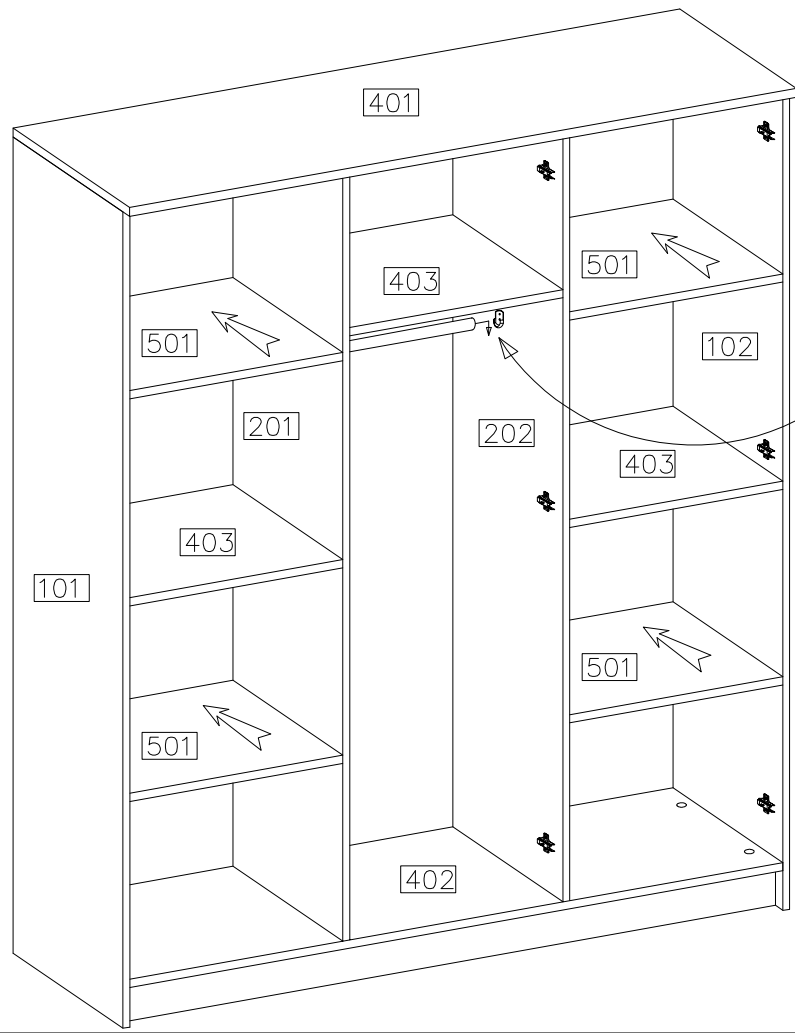
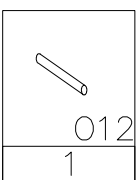
8



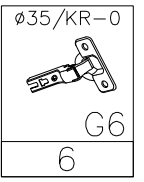
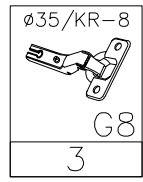
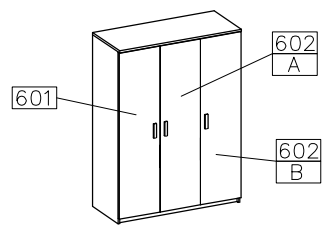
9



10



11



- 4.0x42mm

R2
6
- S1
3
- ø35/KR-0

G6
6
- ø4.0x16mm

P1
18
- ø35/KR-8

G8
3

