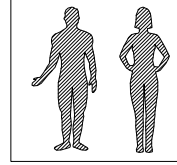
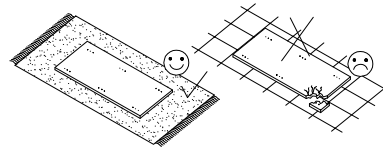
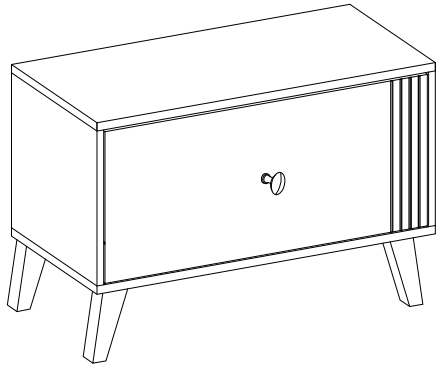
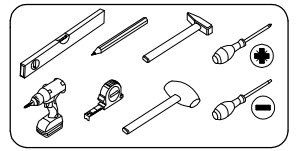
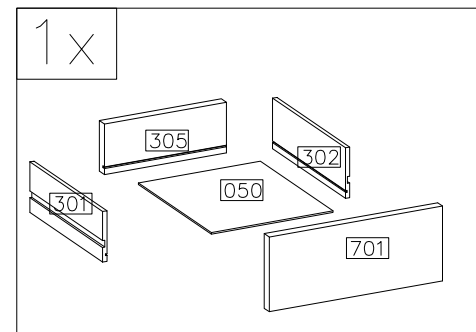
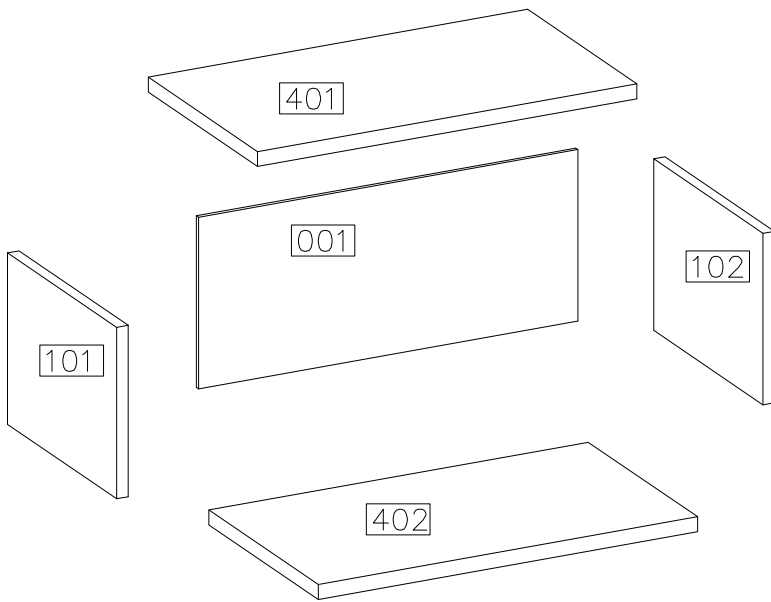
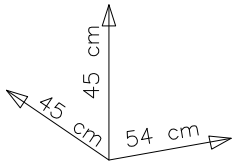


FOX II

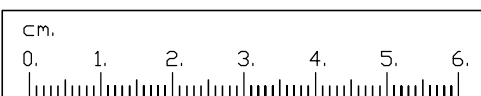
22







| # | ART. NR | QUANTITY |
|----|---------|----------|
| 1 | 401 | 1 |
| 2 | 402 | 1 |
| 3 | 101 | 1 |
| 4 | 102 | 1 |
| 5 | 701 | 1 |
| 6 | 301 | 1 |
| 7 | 302 | 1 |
| 8 | 305 | 1 |
| 9 | 050 | 1 |
| 10 | 001 | 1 |
| | | |
| | | |

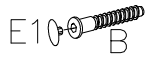
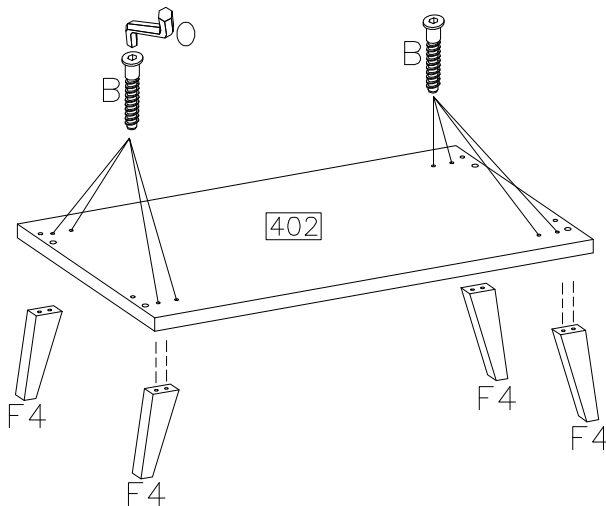


| | | | | | | | |
|-----|-----------------------------------|---|---|----|---------------------------------|----------------------------------|----|
| D1 | $\varnothing 15/12\text{mm}$ C | E | $\varnothing 8 \times 30\text{mm}$ A | S1 | $M4.0 \times 23\text{mm}$ R3 | $M4.0 \times 10\text{mm}$ R18 | M5 |
| 8 | 8 | 8 | 16 | 1 | 1 | 2 | 4 |
| F10 | F4 | B | E1 | O | O11 | $3.5 \times 13\text{mm}$ P2 | PK |
| 15 | 4 | 8 | 8 | 1 | 1 | 4 | 2 |




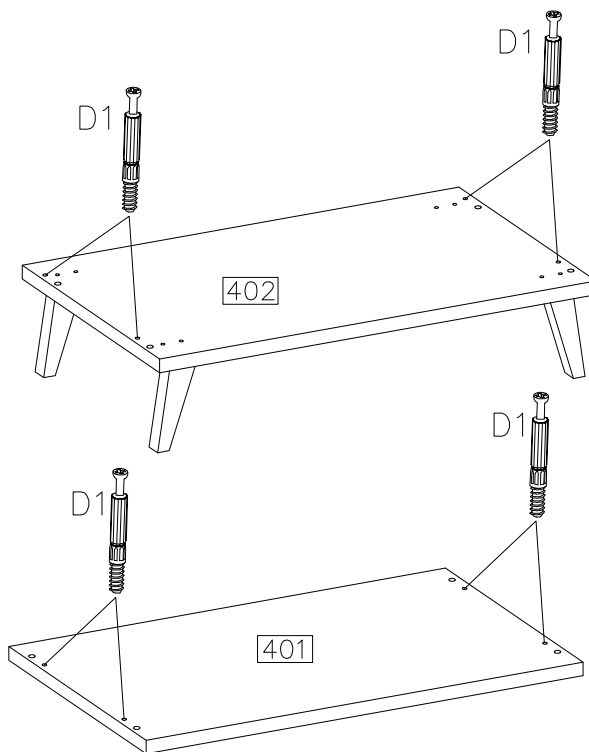
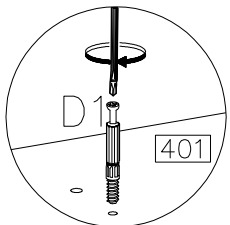
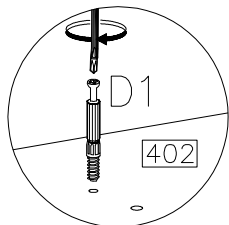
1

| | |
|---|---|
|  |  |
| B | E1 |
| 8 | 8 |
|  |  |
| F4 | O |
| 4 | 1 |

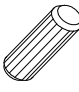





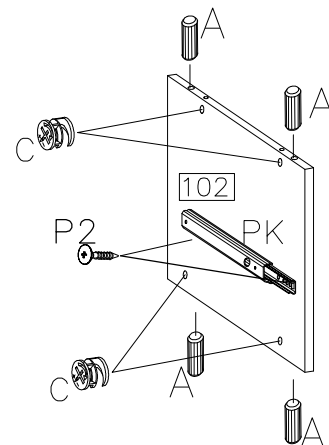
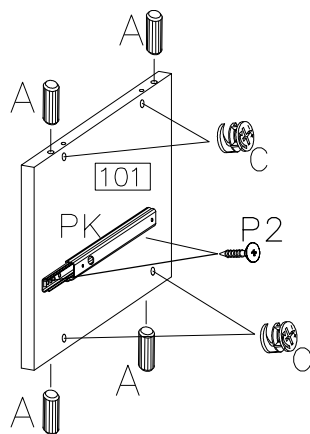
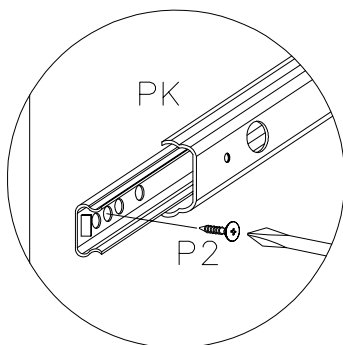
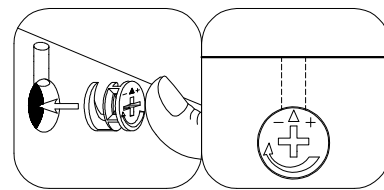
2

| |
|---|
|  |
| D1 |
| 8 |

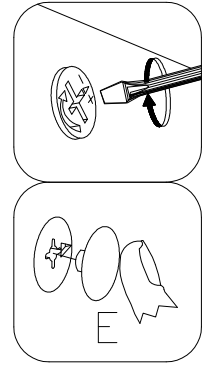
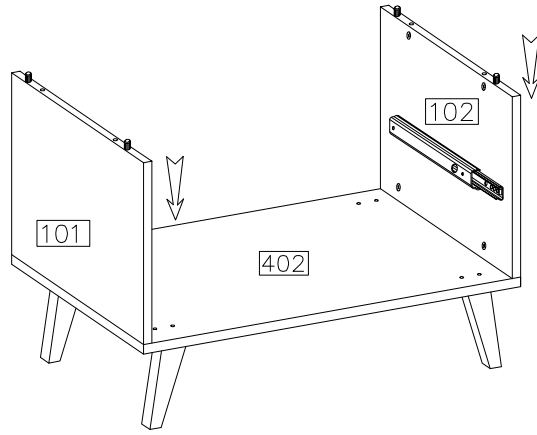
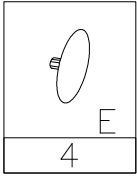


3

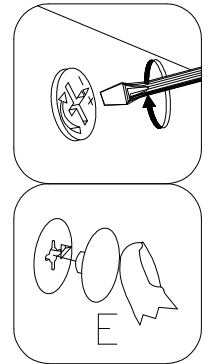
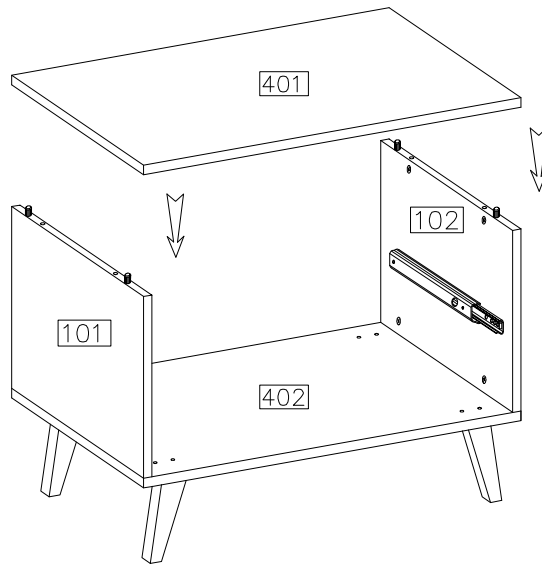
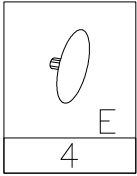
| | |
|--|--|
| $\varnothing 8 \times 30 \text{mm}$  | $\varnothing 15 / 12 \text{mm}$  |
| A | C |
| 8 | 8 |
| $3.5 \times 13 \text{mm}$  |  |
| P2 | PK |
| 4 | 2 |



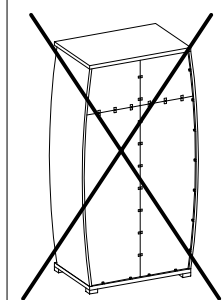
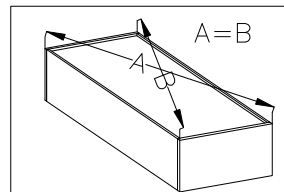
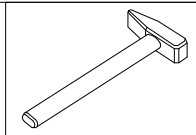
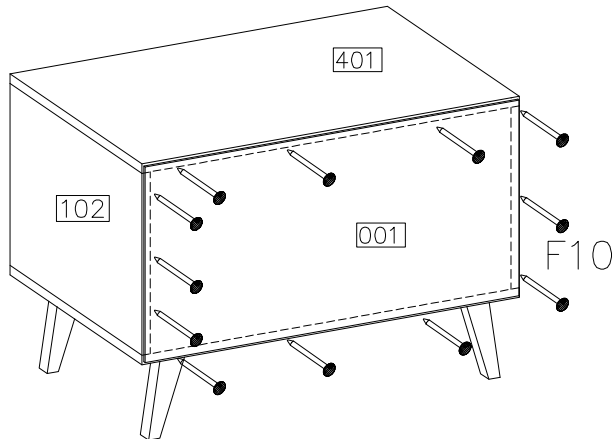
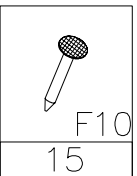
4



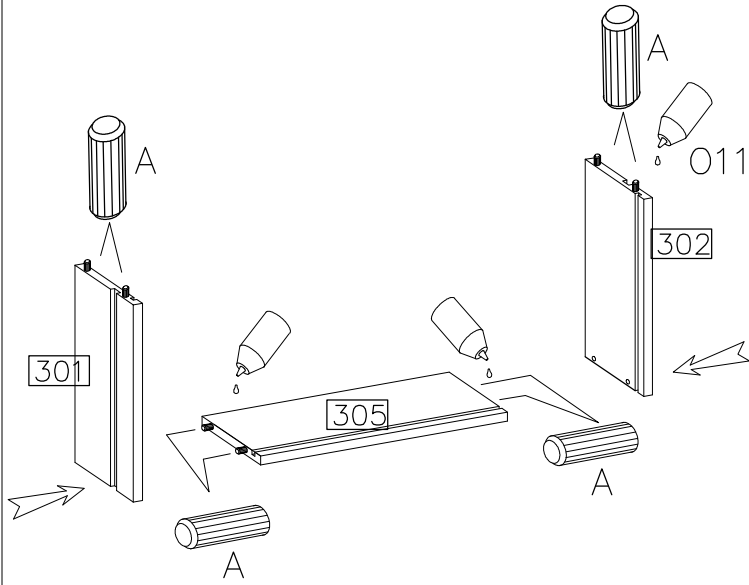
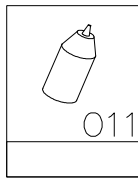
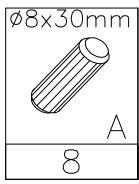
5



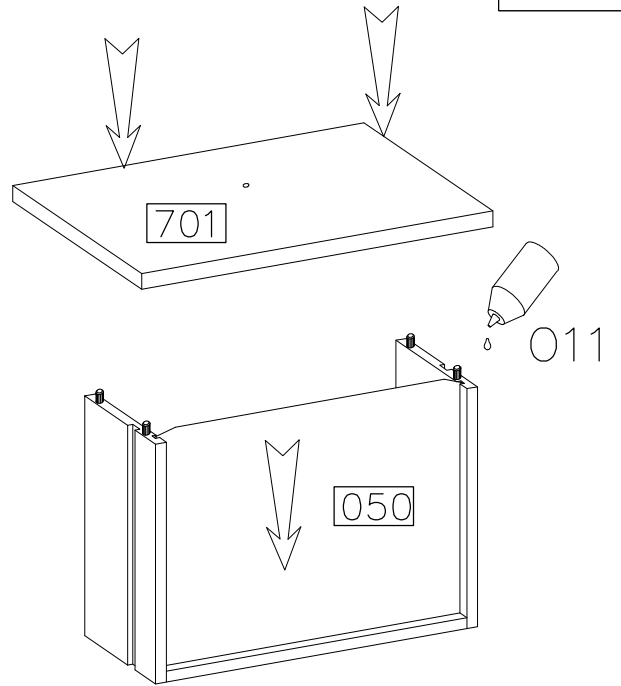
6



7

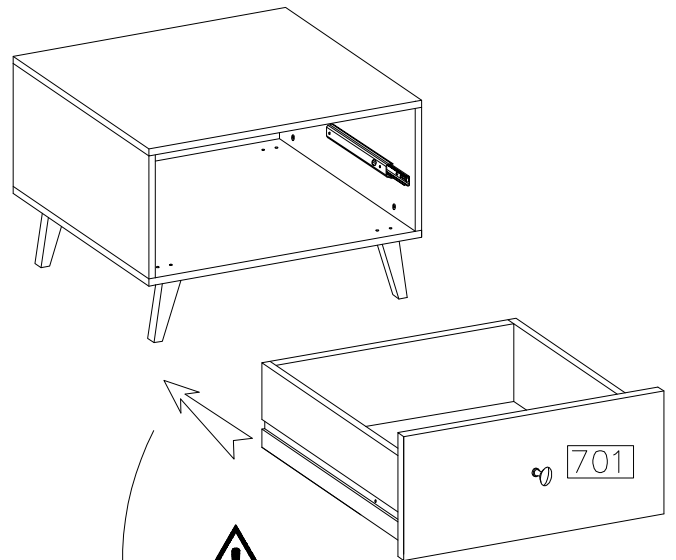
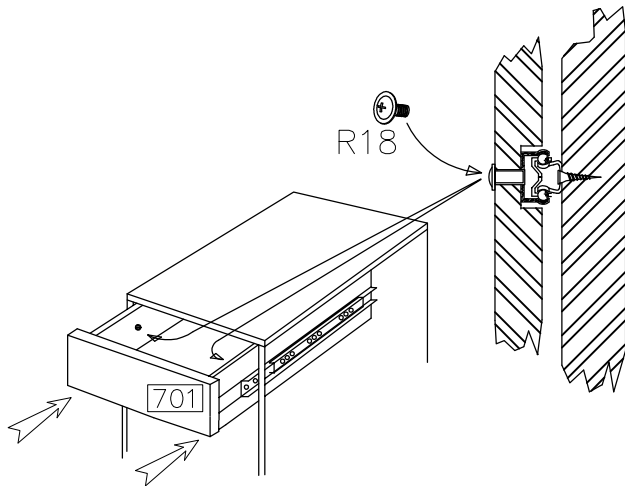
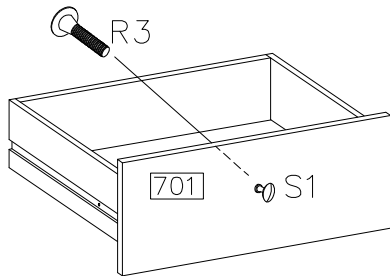


8



9

| | | |
|----|-----------|-----------|
| | M4.0x23mm | M4.0x10mm |
| | | |
| S1 | R3 | R18 |
| 1 | 1 | 6 |



TO STEP
DO KROKU

10

10

