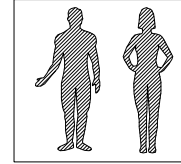
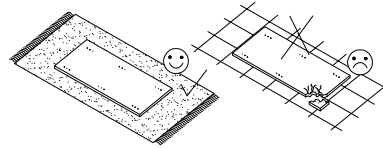
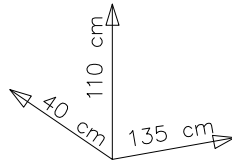
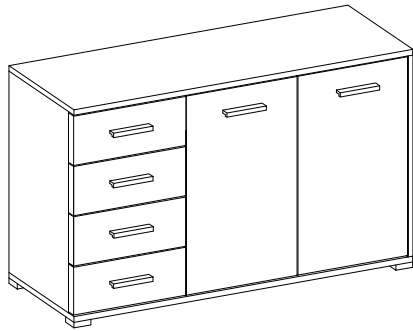
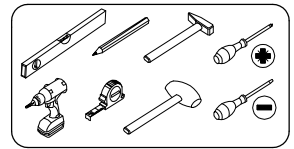
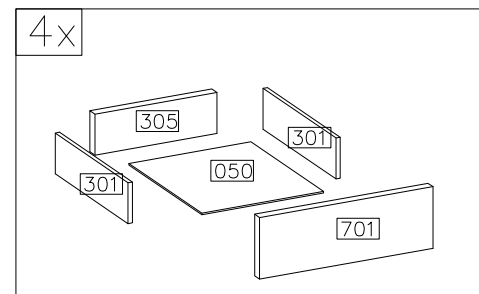
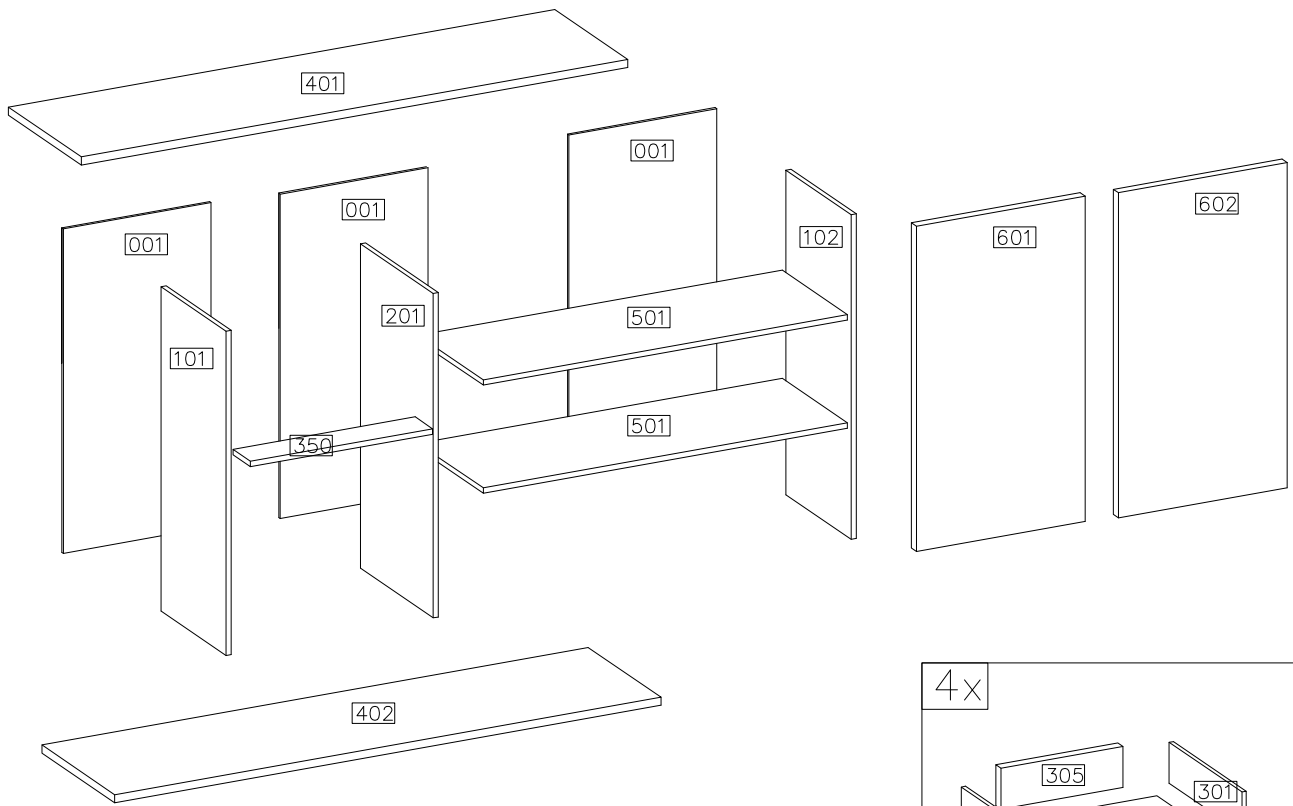


MARSYLIA

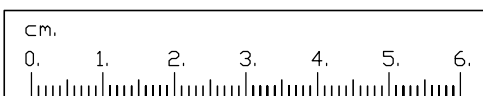
KOMODA – 4S2D



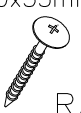
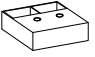
#	ART. NR	QUANTITY
1	401	1
2	402	1
3	101	1
4	102	1
5	201	1
6	601	1
7	602	1
8	501	2
9	701	4
10	301	8
11	305	4
12	050	4
13	001	3
14	350	1

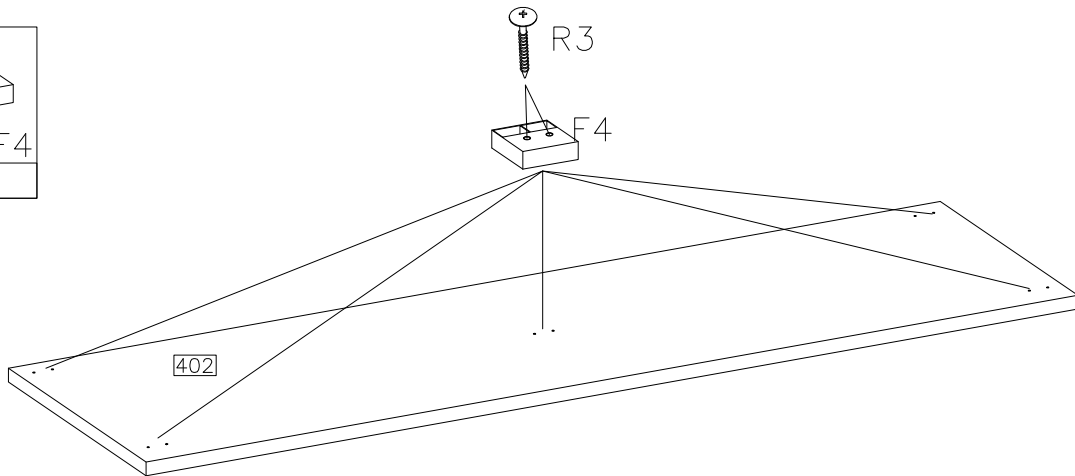


14	14	14	46	24	6	12	16	4	5
10	5	4KPL	10	70	2	4	2	1	





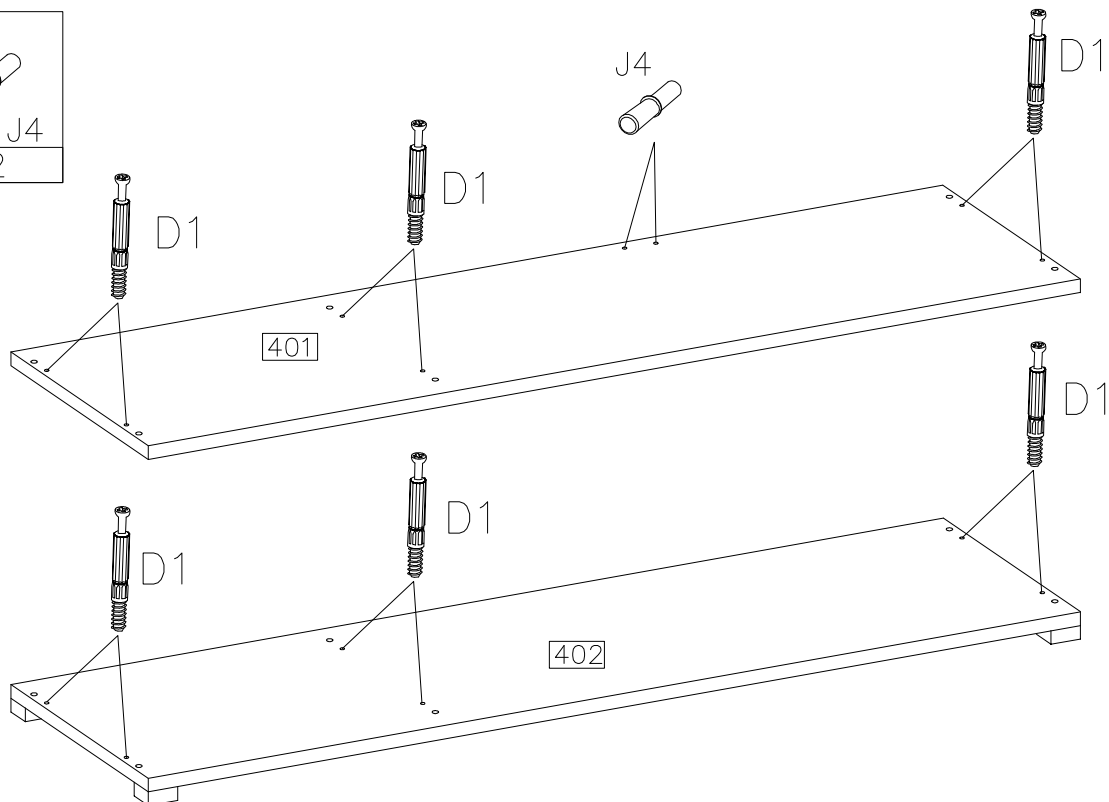
1

4.0x35mm		
	R3	F4
	10	5

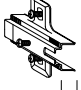
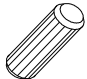




2

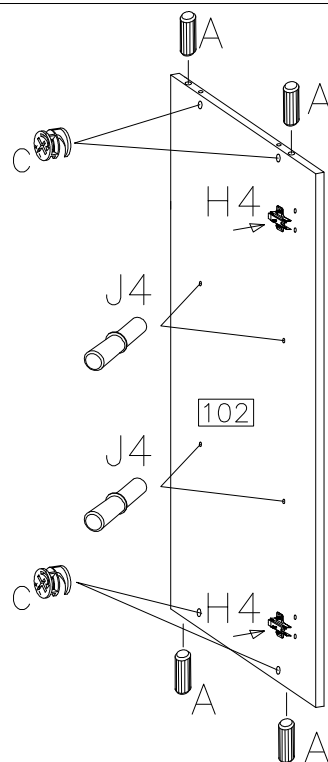
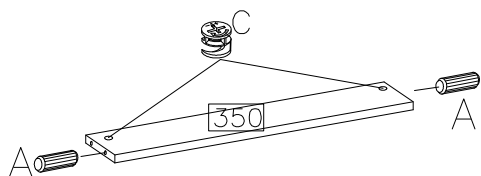
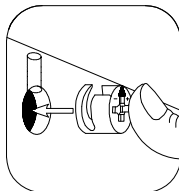
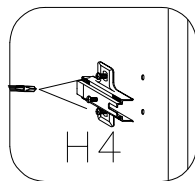
	
D1	J4
12	2





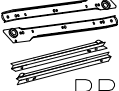

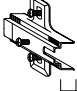
3

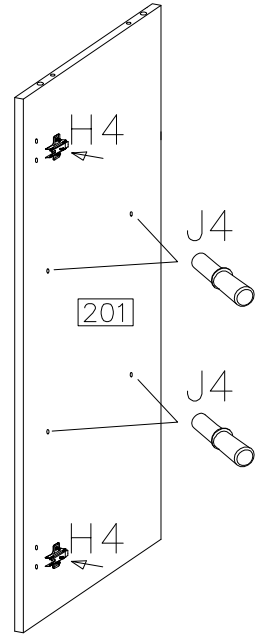
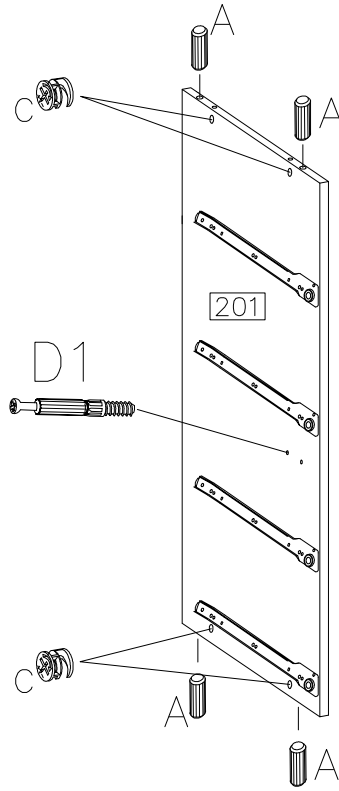
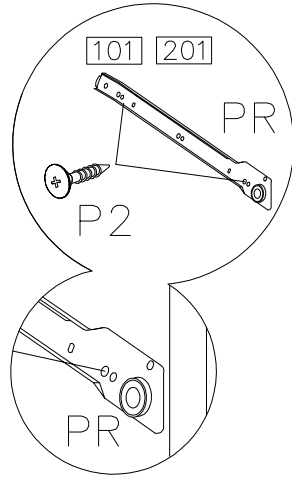
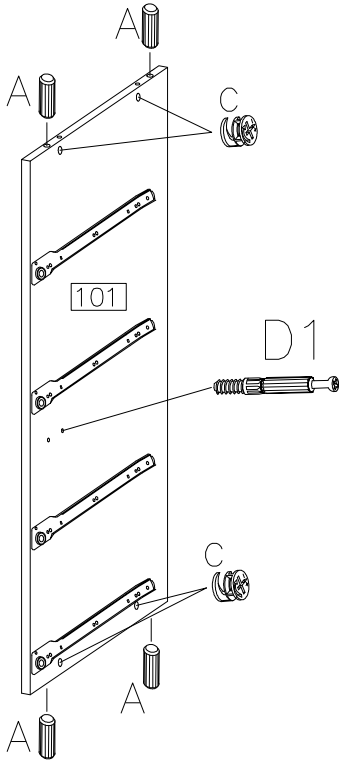
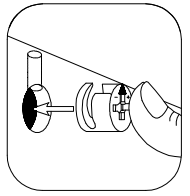
H=0	ø8x30mm	ø15/12mm
		
H4	A	C
2	6	6


J4
4

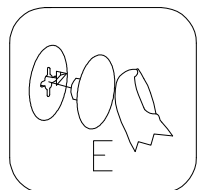
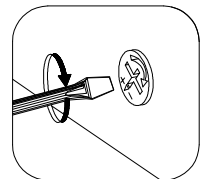
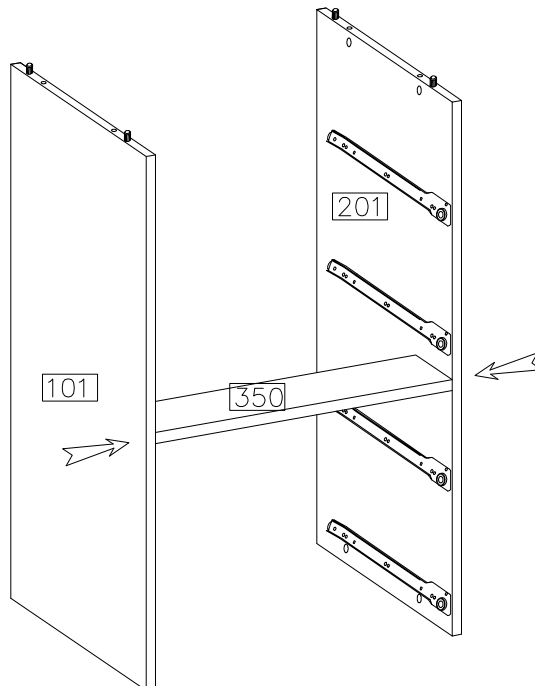
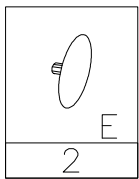


4

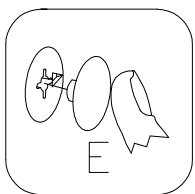
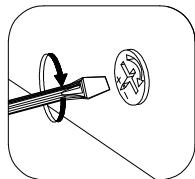
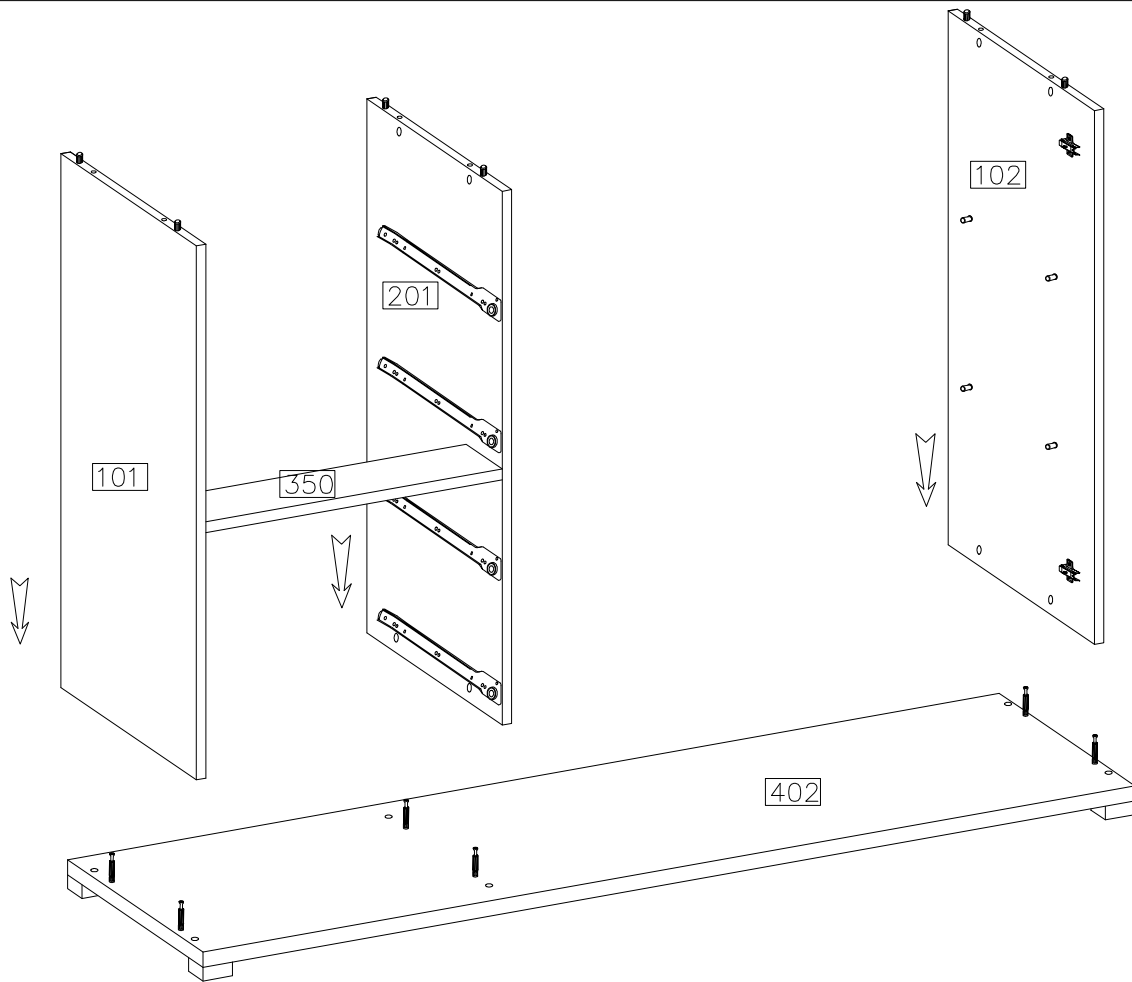
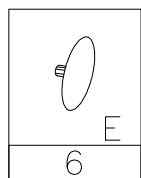
	∅15/12mm	∅8x30mm		L-350 	3.5x13mm 	H=0 
D1	C	A	J4	PR	P2	H4
2	8	8	4	4KPL	16	2



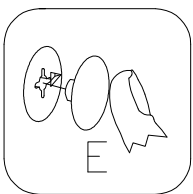
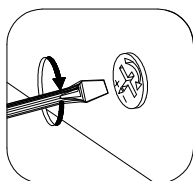
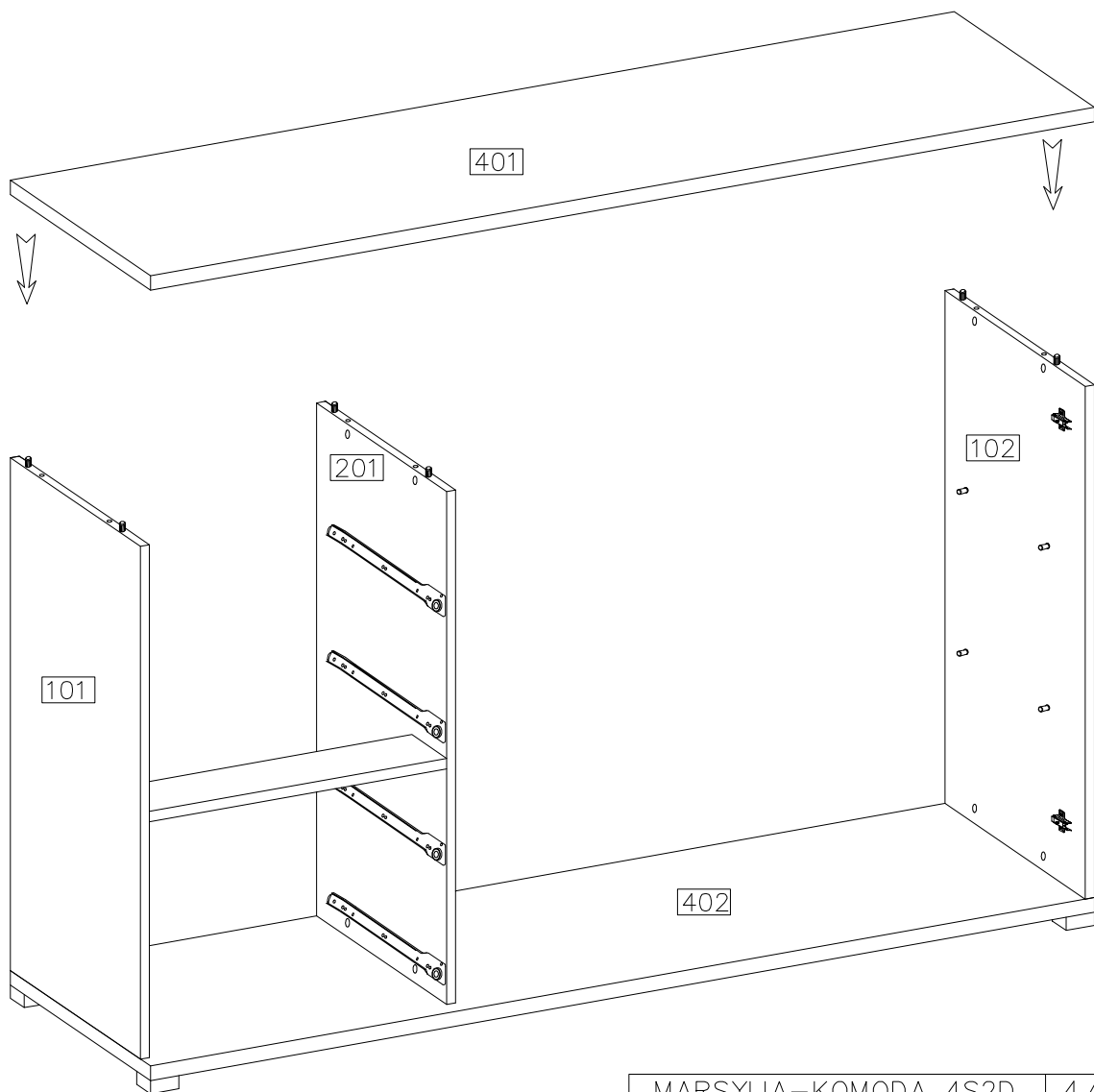
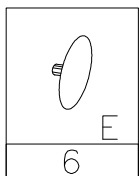
5



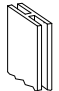

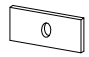
6

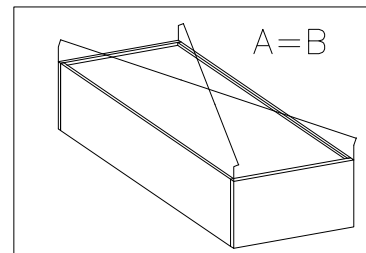
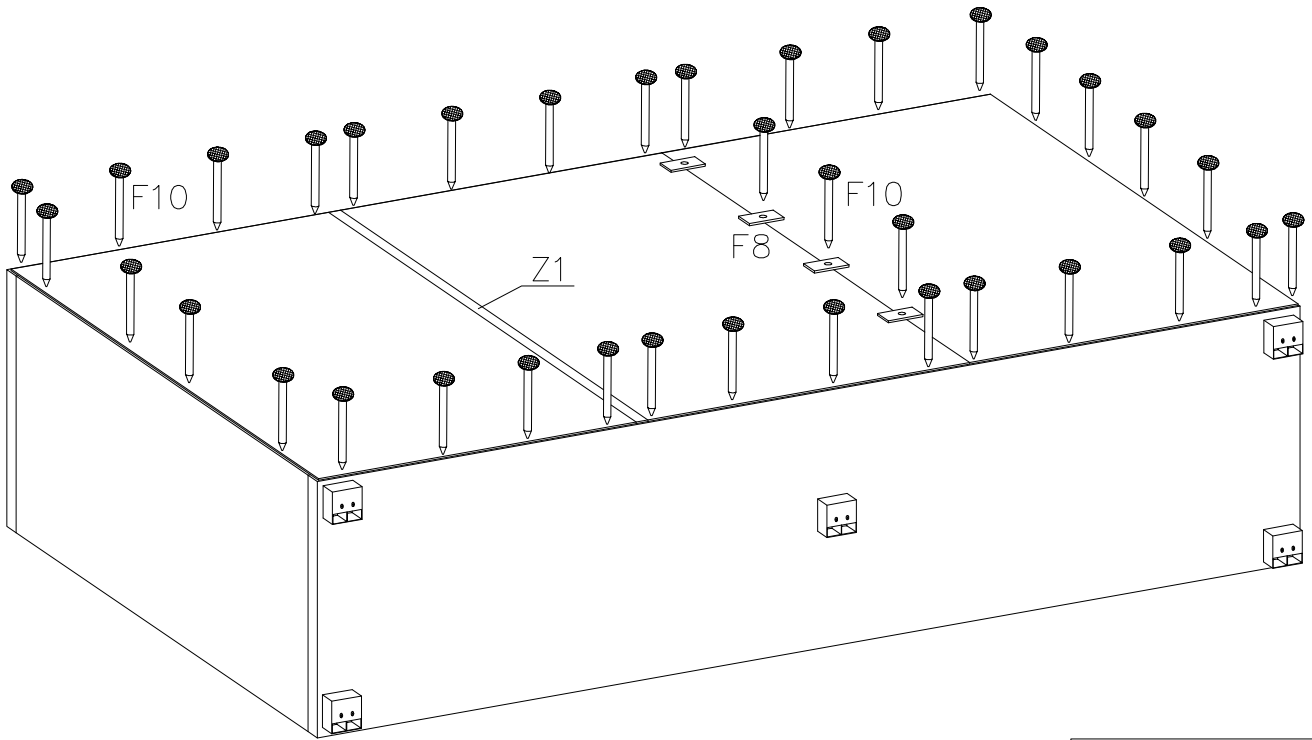


7

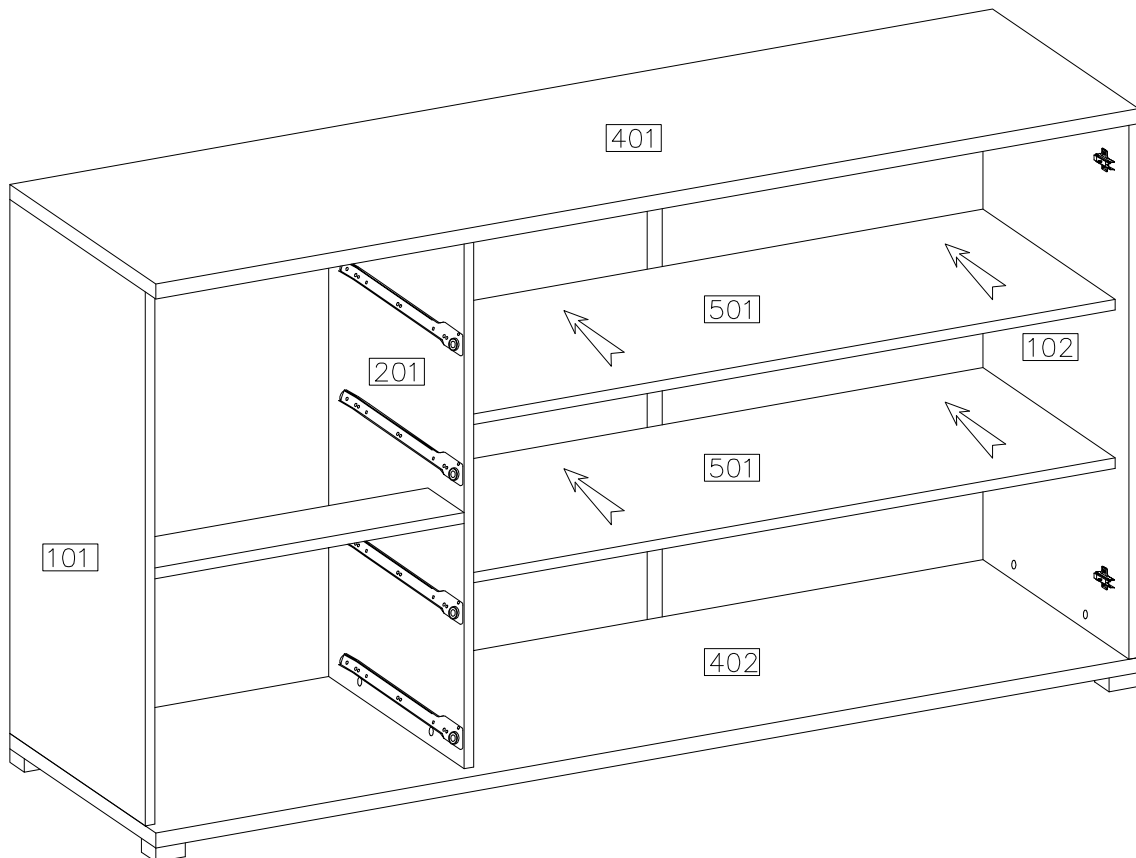


8

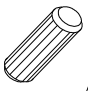

		
Z1	F10	F8
1	30	5



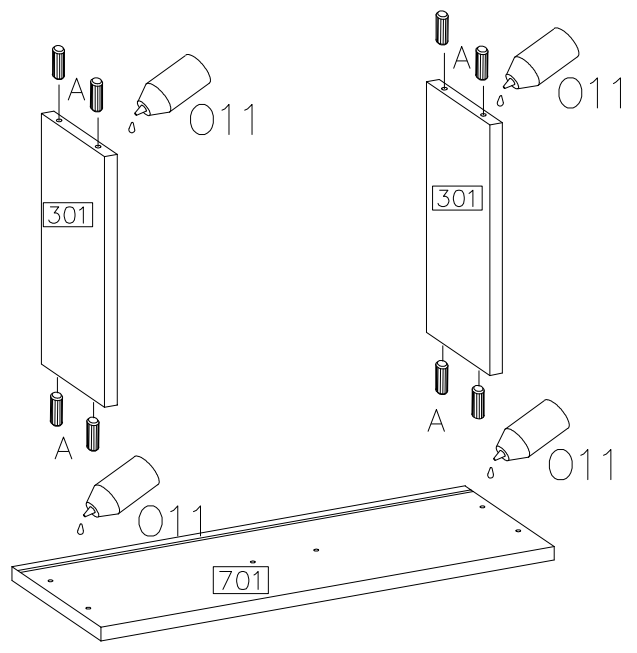
9





10

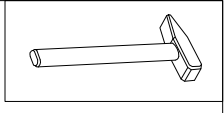
∅8x30mm		
32	A	O11

4x

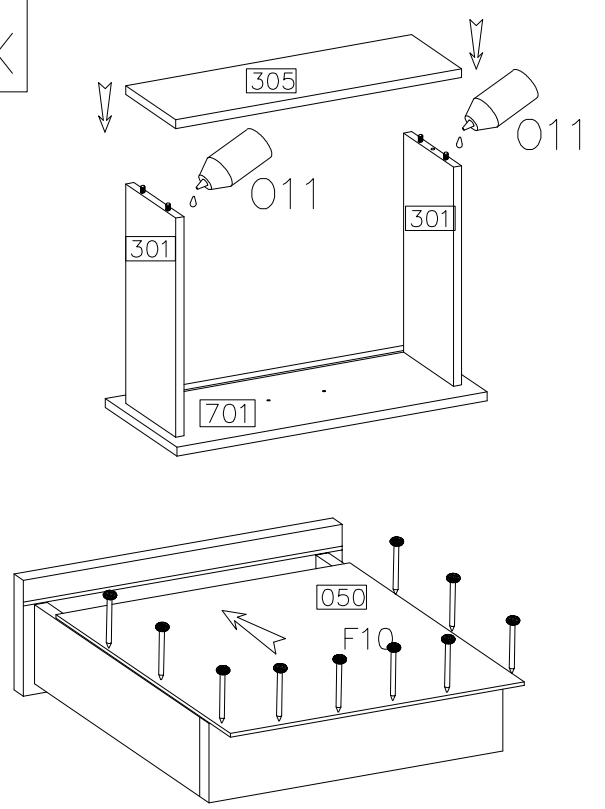


11

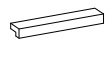

	
F10	O11
40	



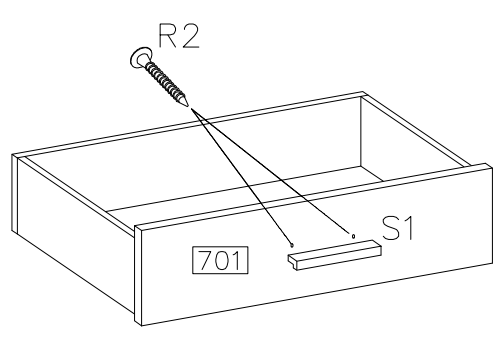
4x





12

	4.0x27mm	
S1		R2
4		8

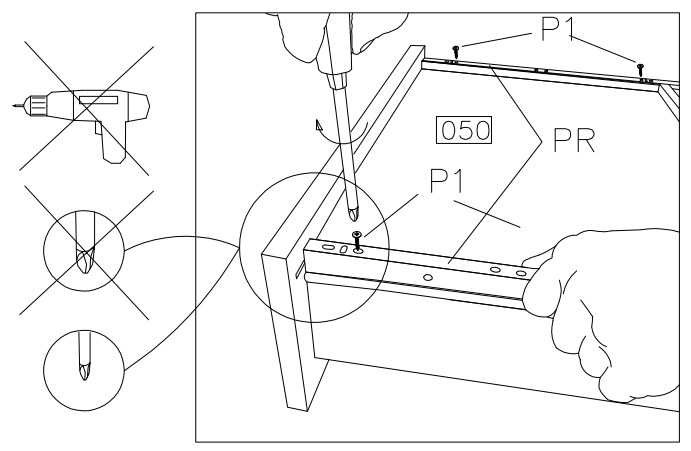
4x






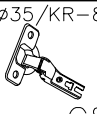

13

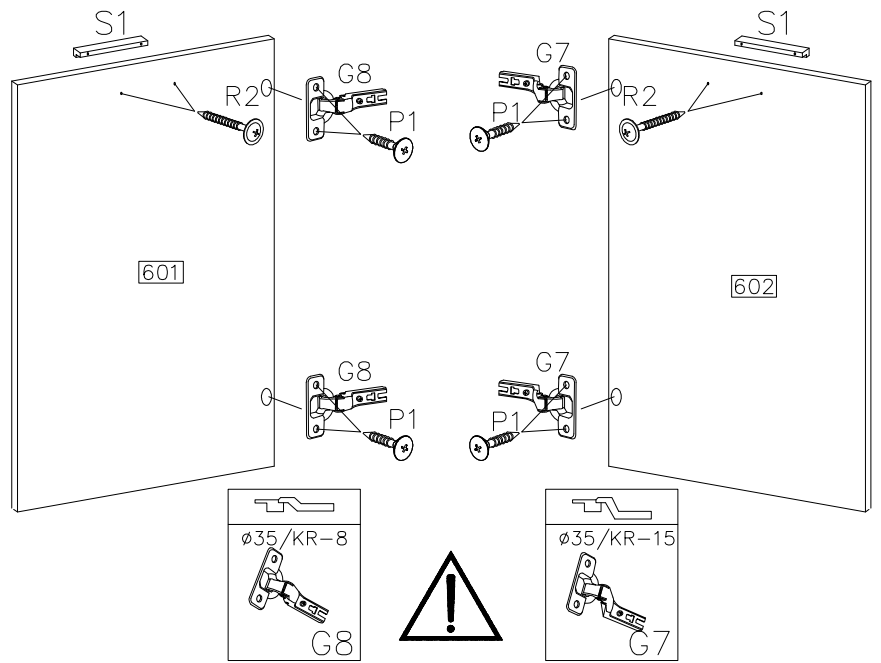
L-350	∅4.0x16mm
	
PR	P1
4KPL	16

4x



14

 G7 2	 P1 8	 R2 4
 G8 2	 S1 2	



15

