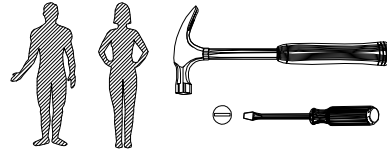
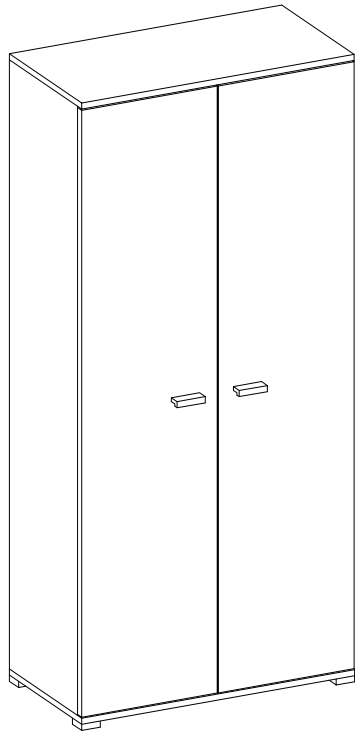
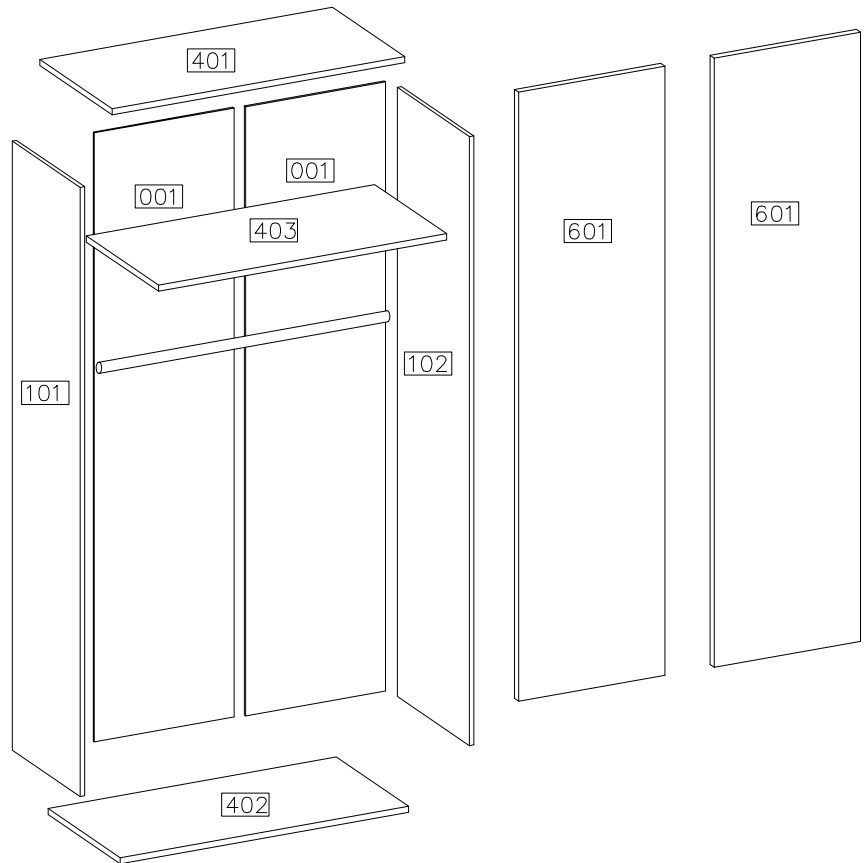
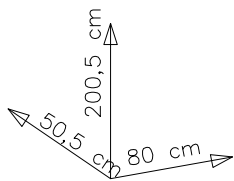
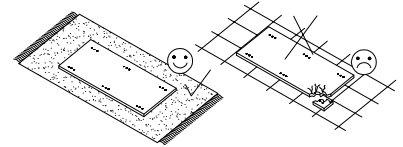
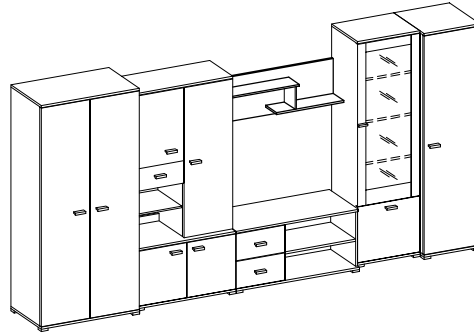


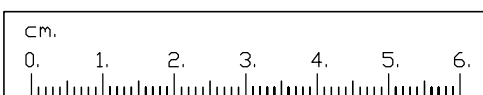
# ARS SZAFKA



#	ART. NR	QUANTITY
1	401	1
2	402	1
3	403	1
4	101	1
5	102	1
6	001	2
7	601	2



D1	$\varnothing 15/12\text{mm}$ C	$\varnothing 8 \times 30\text{mm}$ A		$4.0 \times 35\text{mm}$ R3				$4.0 \times 27\text{mm}$ R2
12	12	18	12	8	4	60	2	4
Z1	O10	O12	$\varnothing 4.0 \times 16\text{mm}$ P1	$\varnothing 35/\text{KR}-0$ G6	H=0 H4	$3.5 \times 13\text{mm}$ P2		
1	2	1	12	6	6	4		



1

4.0x35mm



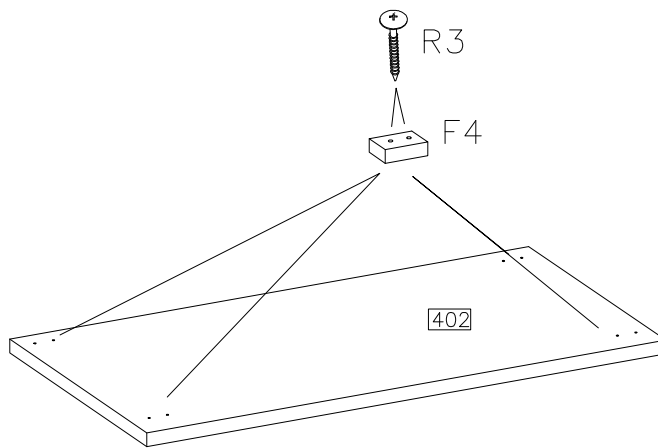
R3

8



F4

4

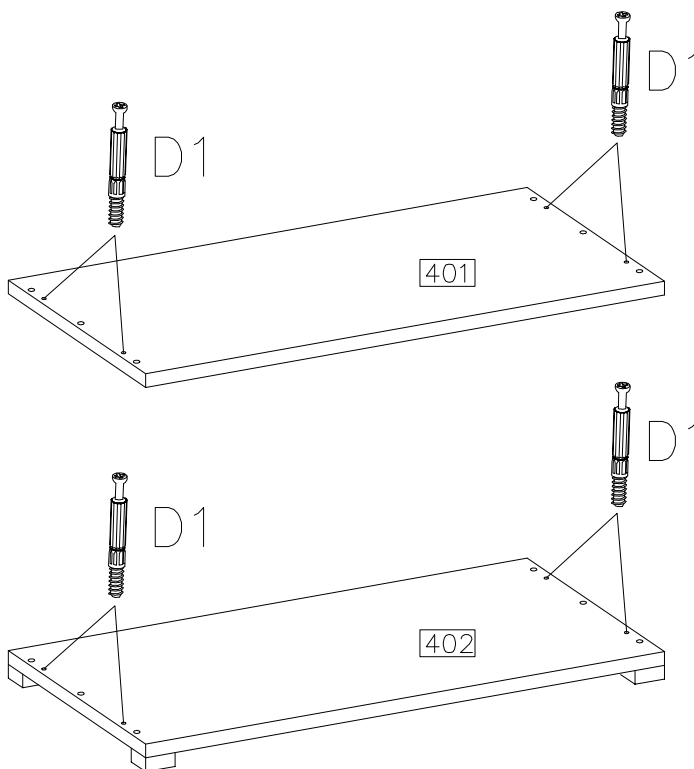
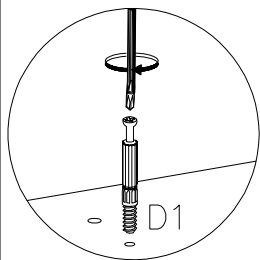


2



D1

8



3

ø15/12mm



C

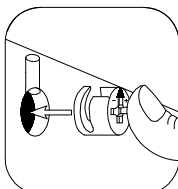
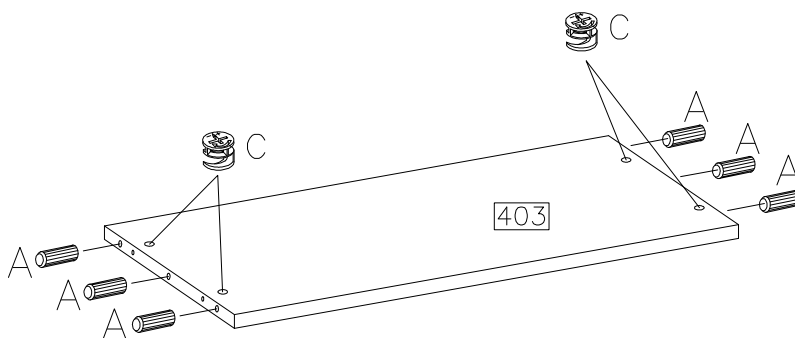
4

ø8x30mm


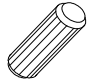

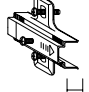




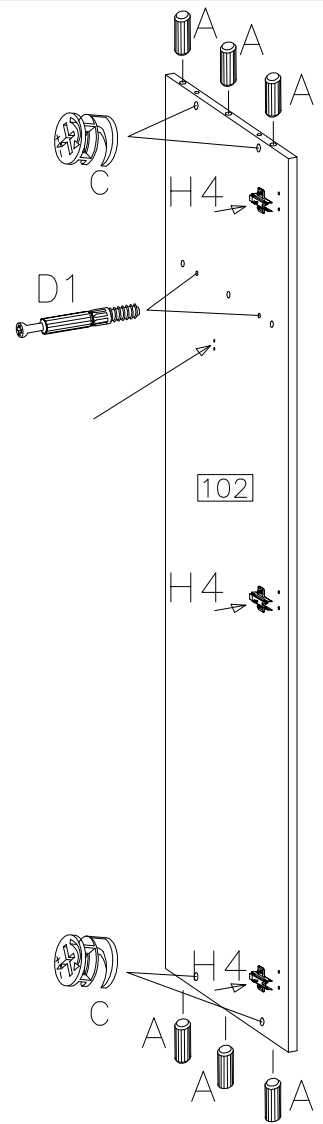
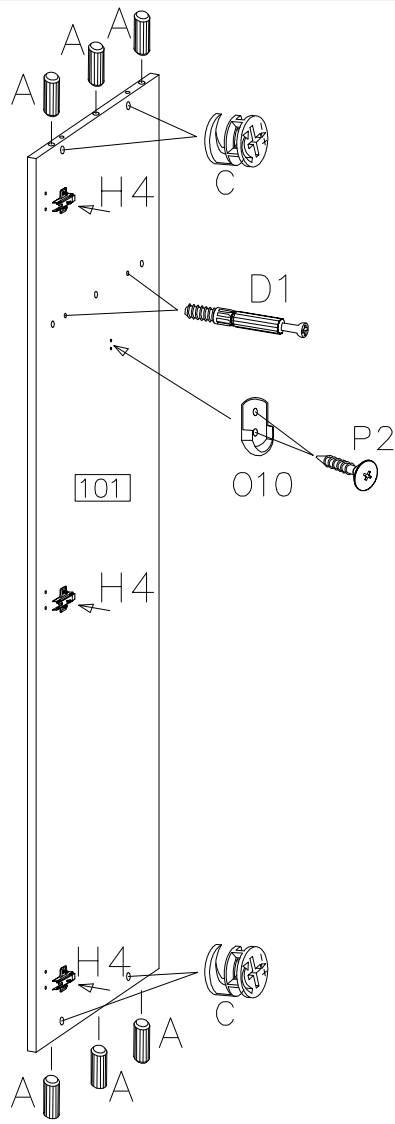
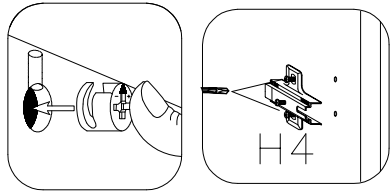
A

6

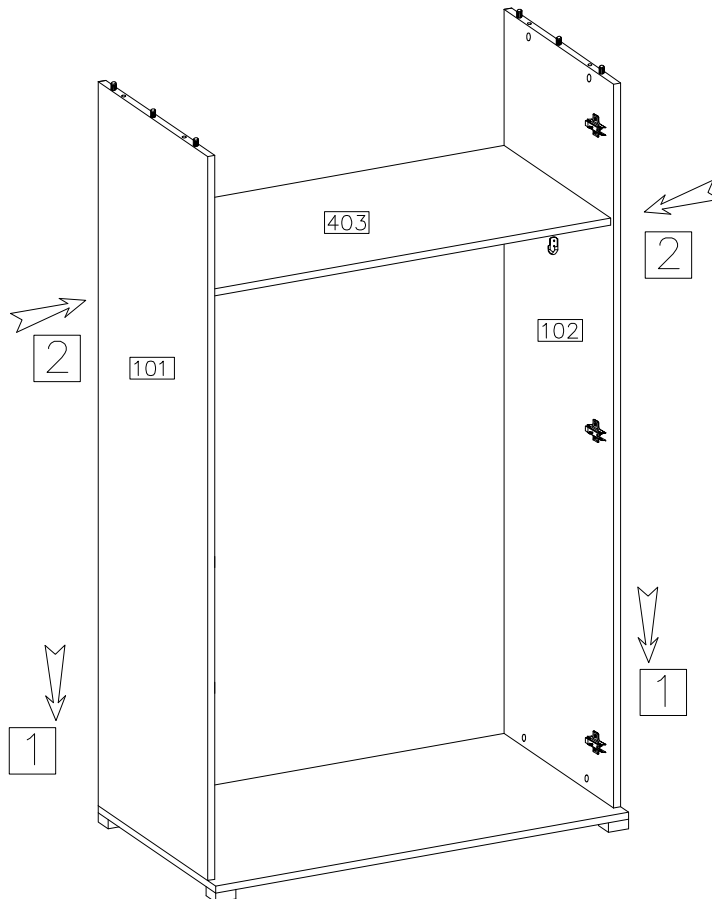
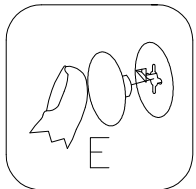
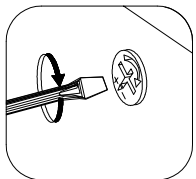
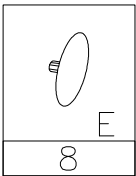


4

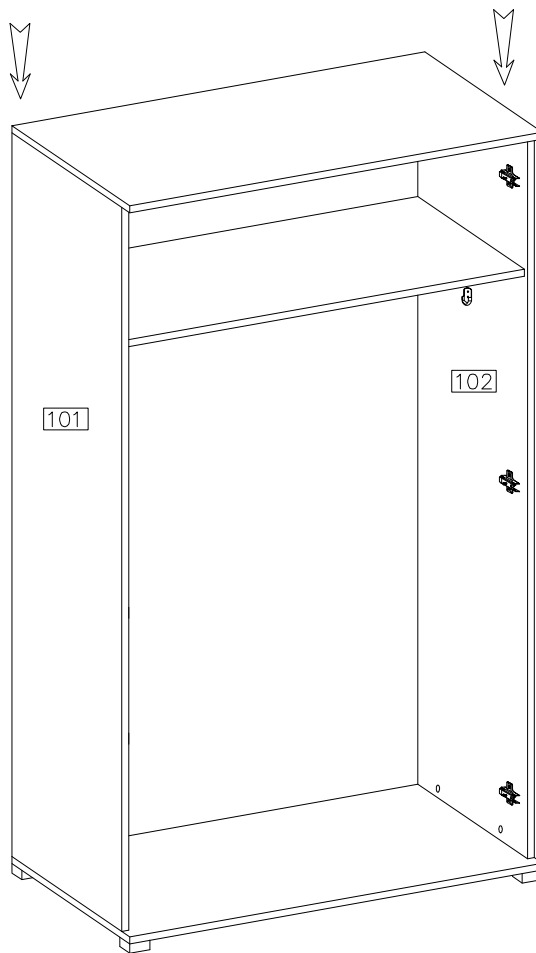
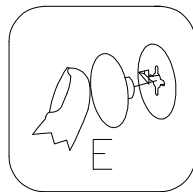
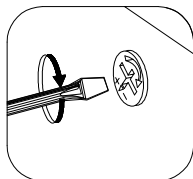
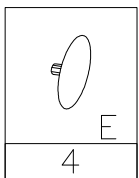
	$\varnothing 8 \times 30 \text{mm}$ 
4	12
	H=0 
2	6
$\varnothing 15/12 \text{mm}$ 	3.5x13mm 
8	4



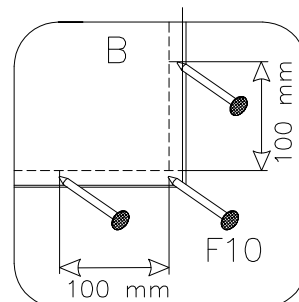
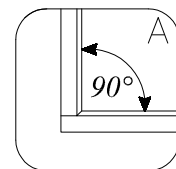
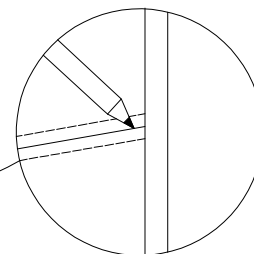
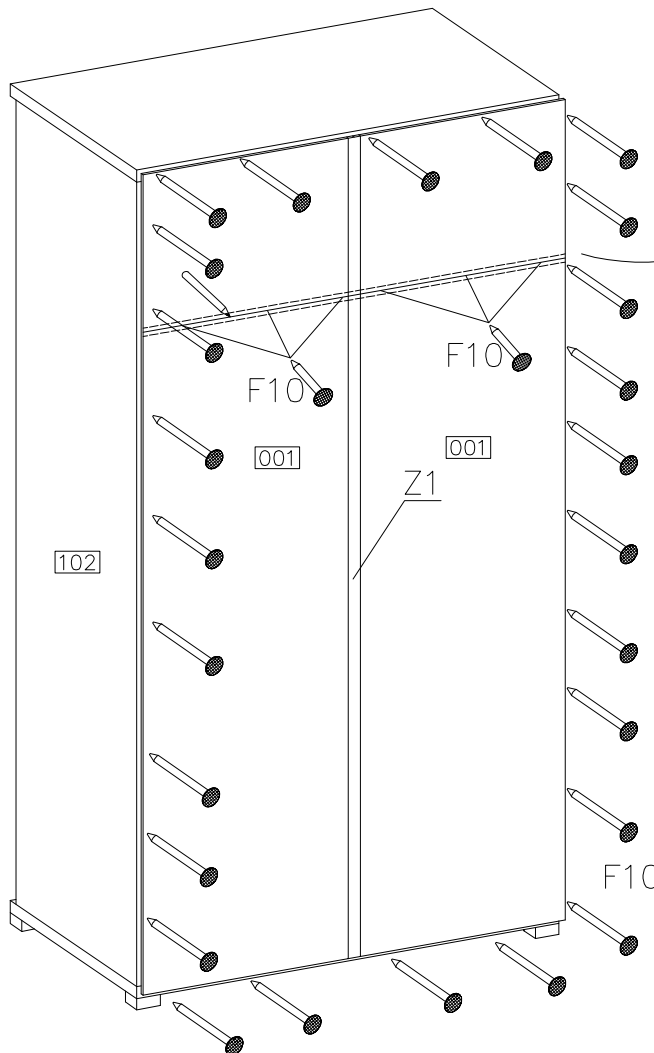
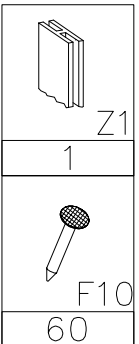
5



6



7

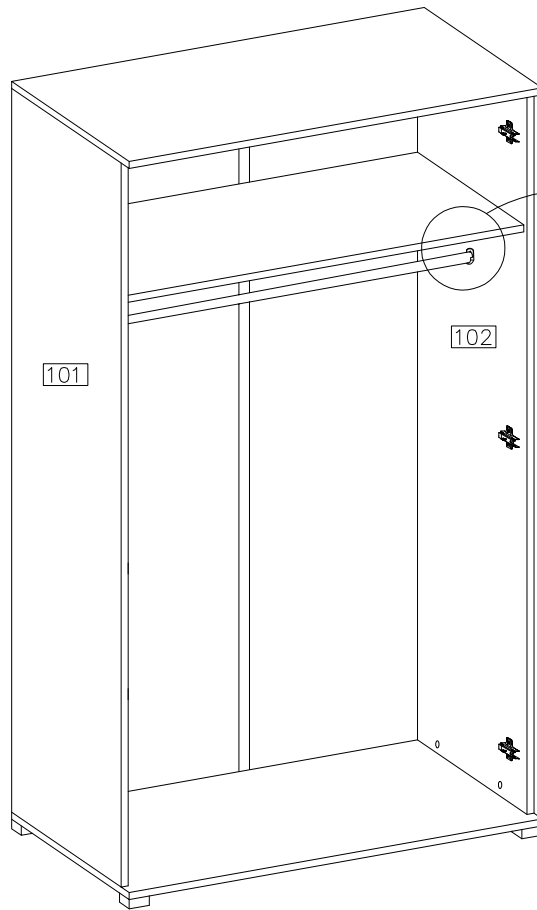


8



012

1



012

010

9

4.0x27mm



R2

4



S1

2

ø35/KR-0



G6

6

ø4.0x16mm



P1

12

