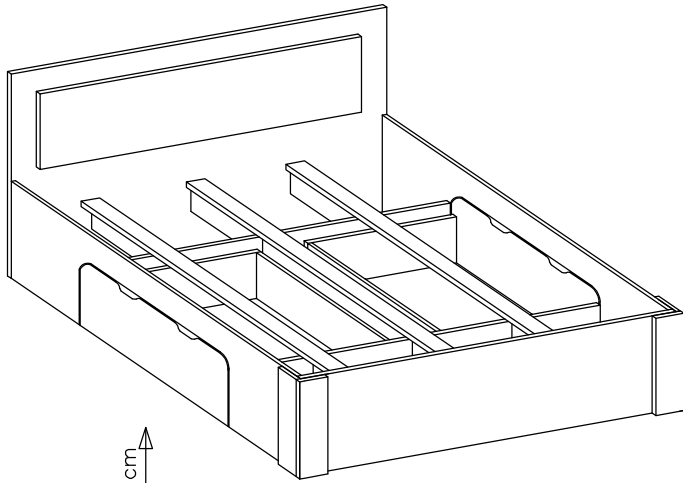
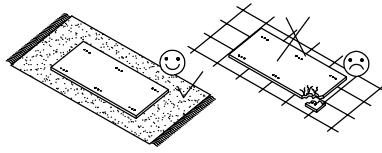
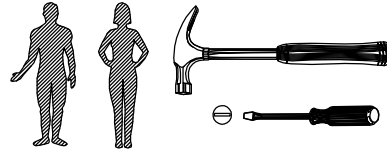


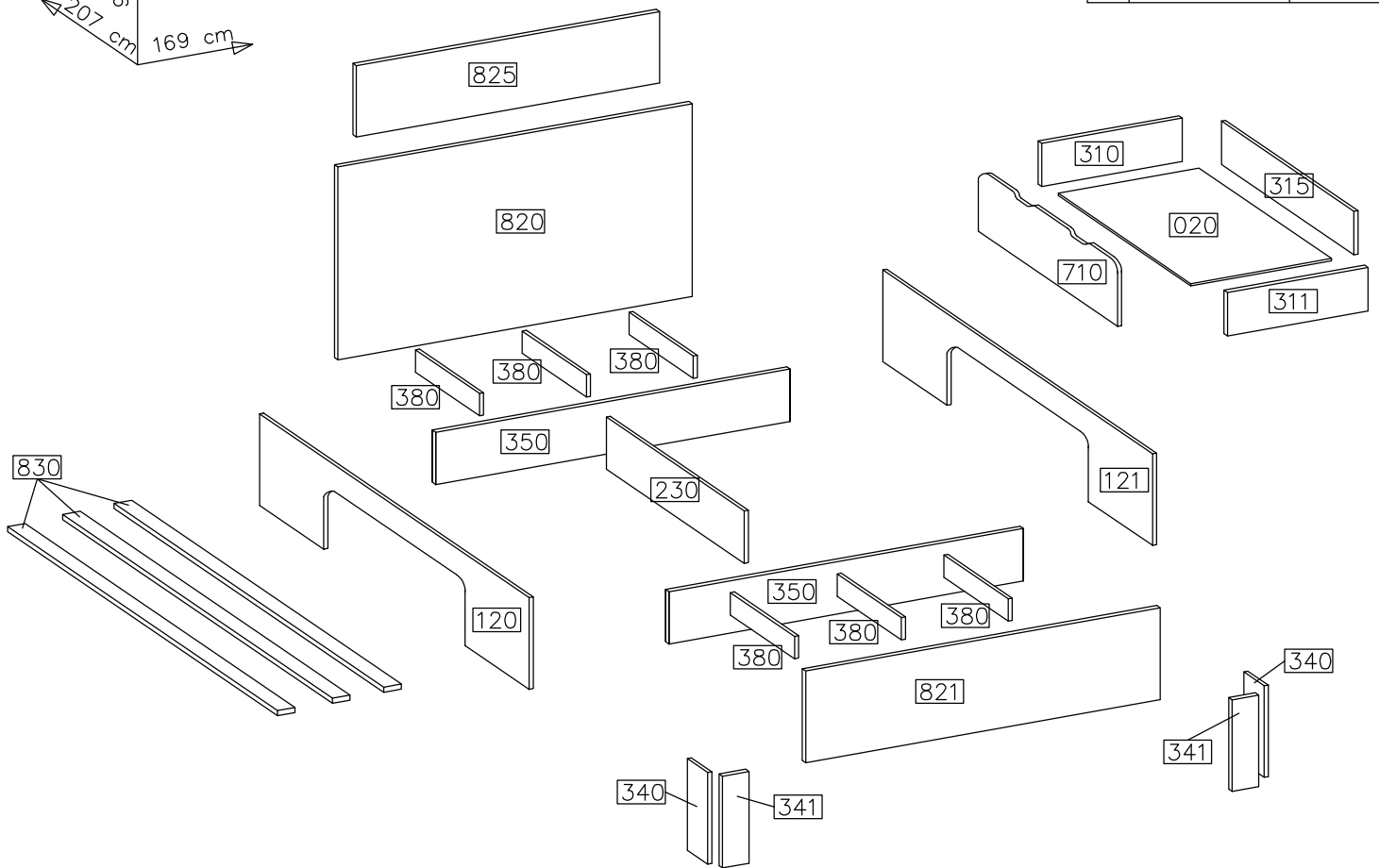
AURELIA 23



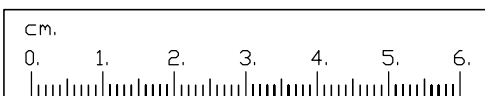
90 cm
207 cm
169 cm




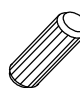




#	ART. NR	QUANTITY
1	820	1
2	825	1
3	821	1
4	120	1
5	121	1
6	230	1
7	350	2
8	380	6
9	830	3
10	710	2
11	310	2
12	311	2
13	315	2
14	020	2
15	340	2
16	341	2

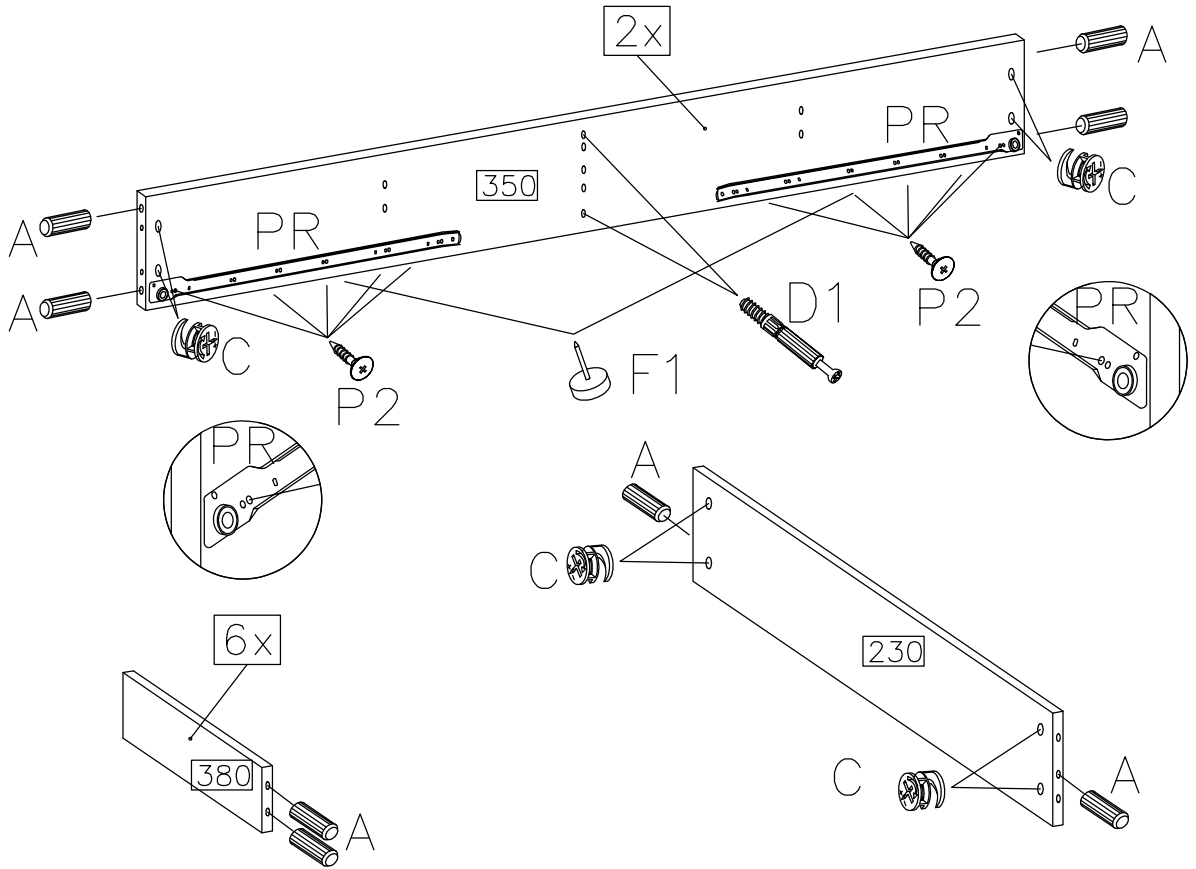


D1	C	A	O11	F1	E	V1
42	42	50	1	16	42	1
L-550	4.0x40mm	4.0x20mm			3.5x13mm	4.0x30mm
PR	P5	P4	B	O	P2	R3
2 KPL	10	30	12	1	20	8



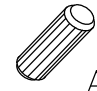


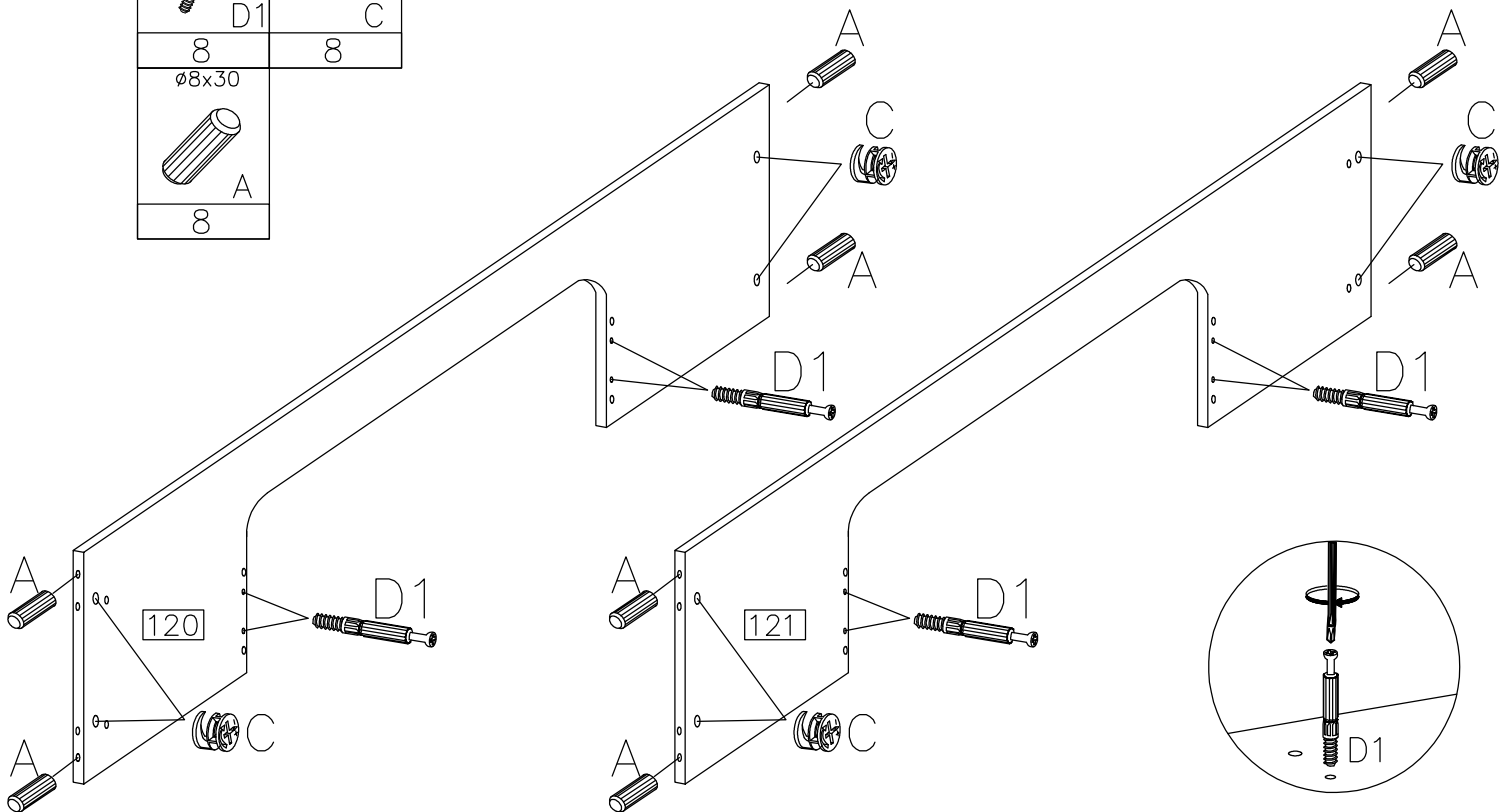
1

$\varnothing 15/12$  C 12	$\varnothing 8 \times 30$  A 22	 F1 4	L=550  PR 2 KPL	$3.5 \times 13 \text{ mm}$  P2 20	 D1 4
--------------------------------------------------------------------------------------------------------------------	--------------------------------------------------------------------------------------------------------------------------	---------------------------------------------------------------------------------------------	----------------------------------------------------------------------------------------------------------	----------------------------------------------------------------------------------------------------------------------------	---------------------------------------------------------------------------------------------





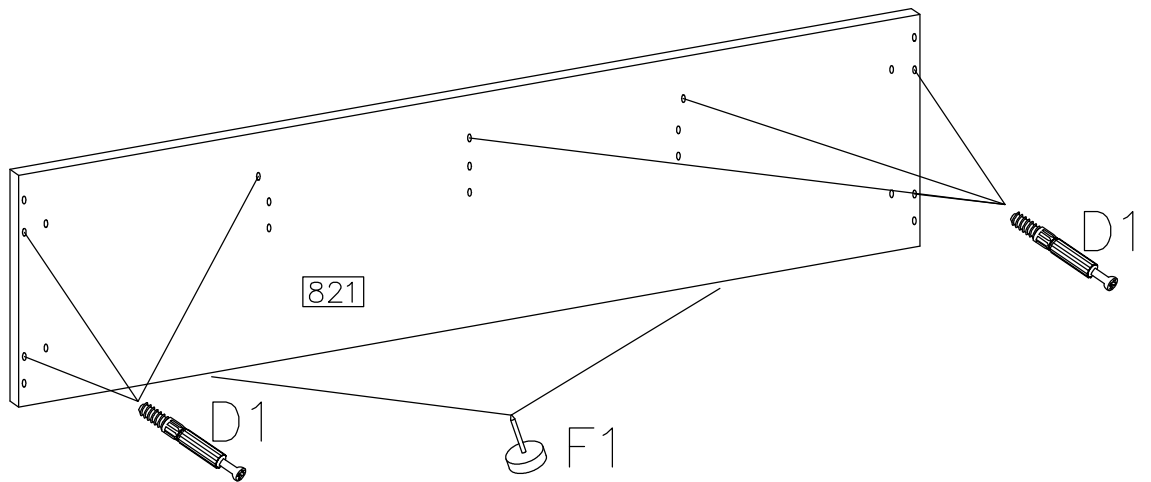
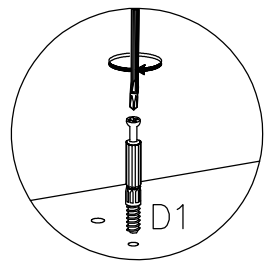
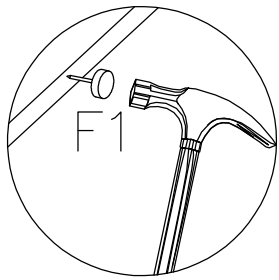
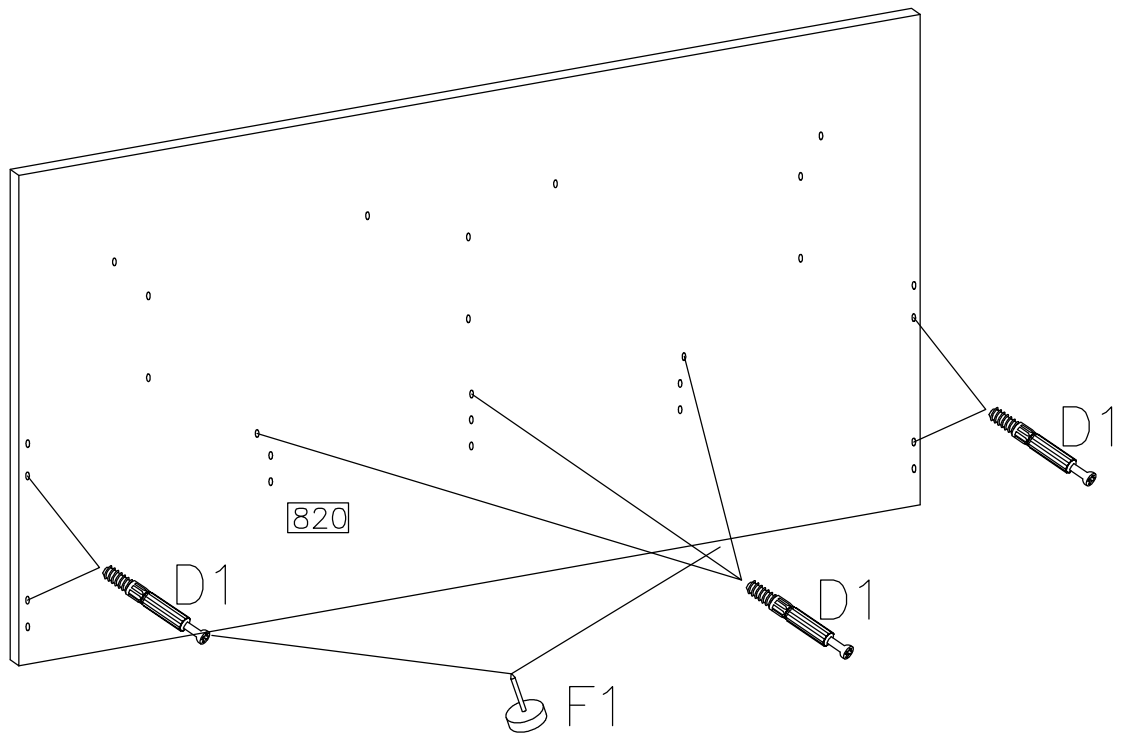
2

 D1 8	$\varnothing 15/12$  C 8
$\varnothing 8 \times 30$  A 8	


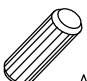




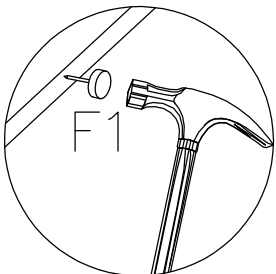
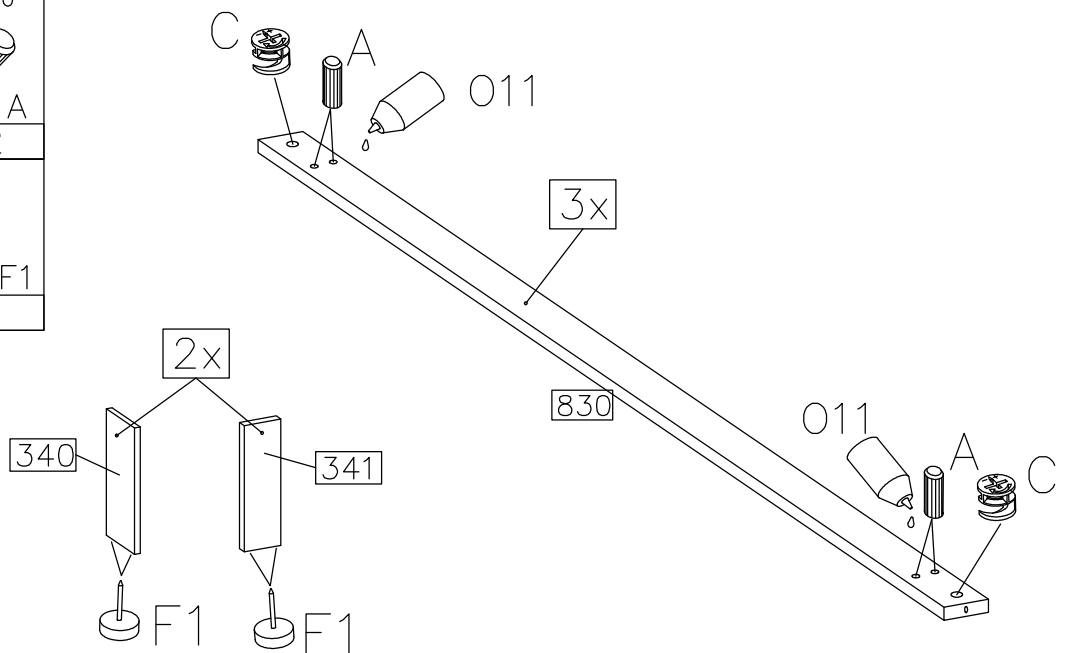
3

	D1
14	
	F1
4	





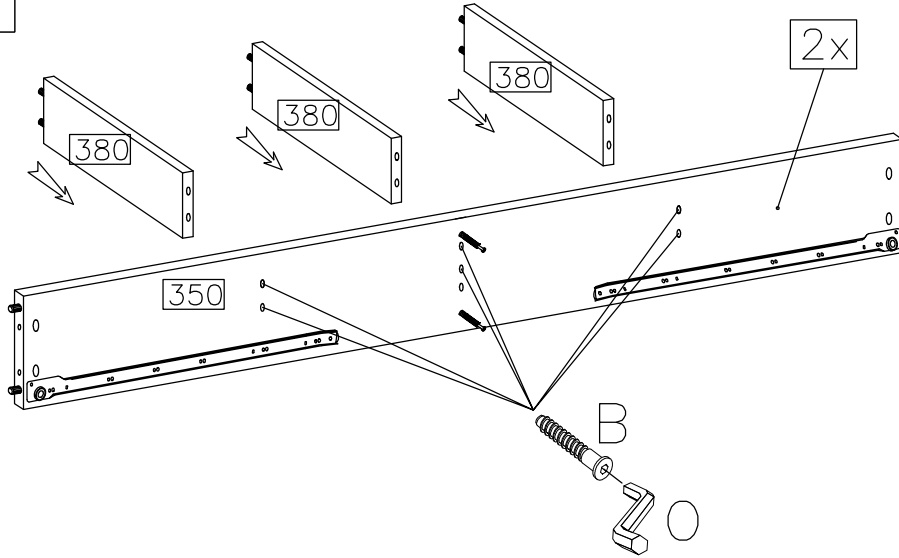
4

	
6	12
	
1	8

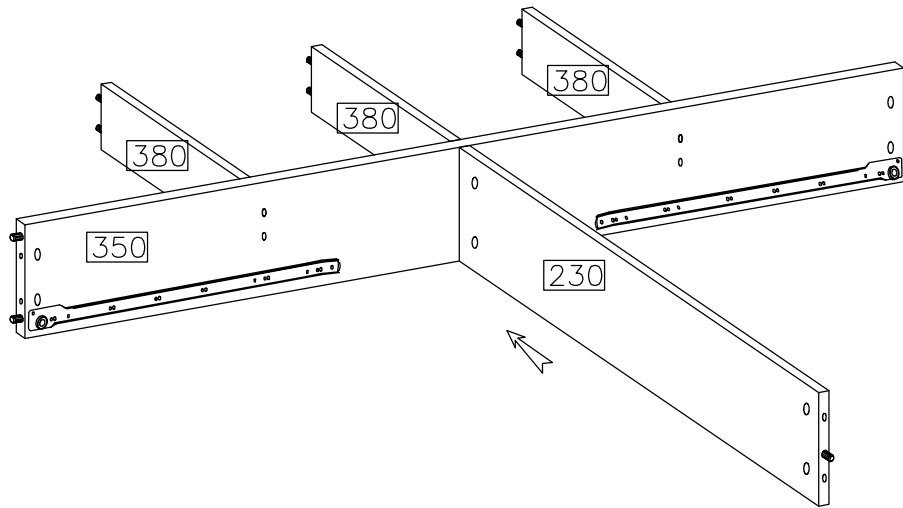
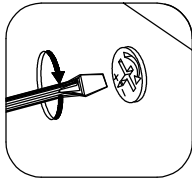


5

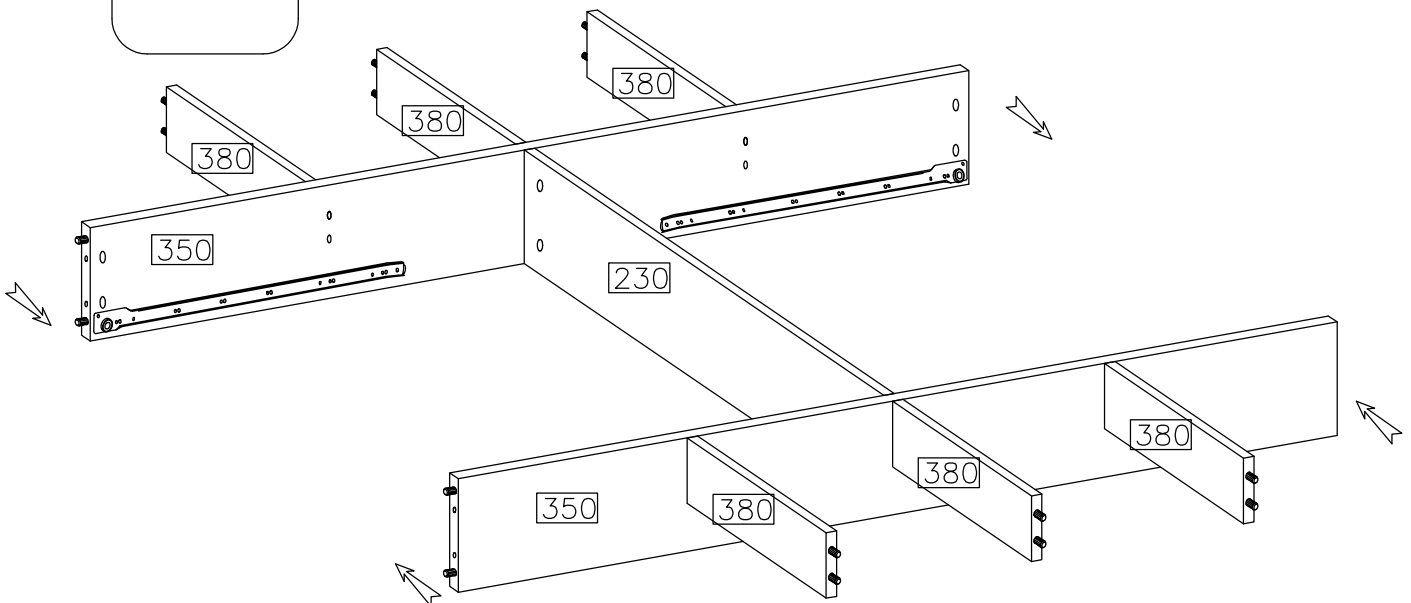
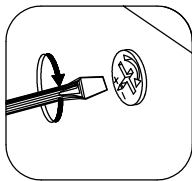
	
B	O
12	1



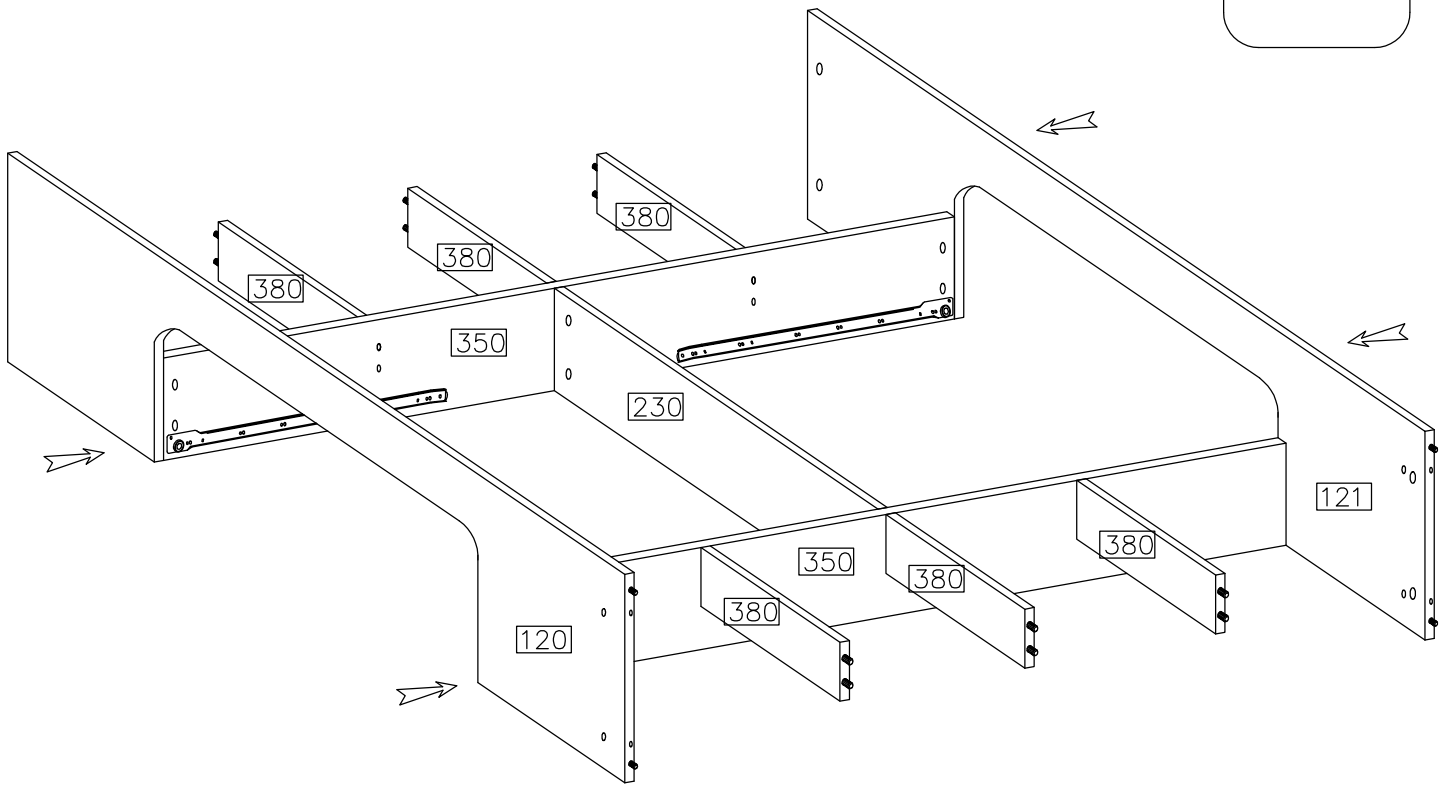
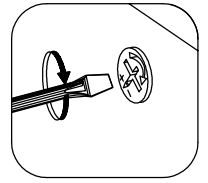
6



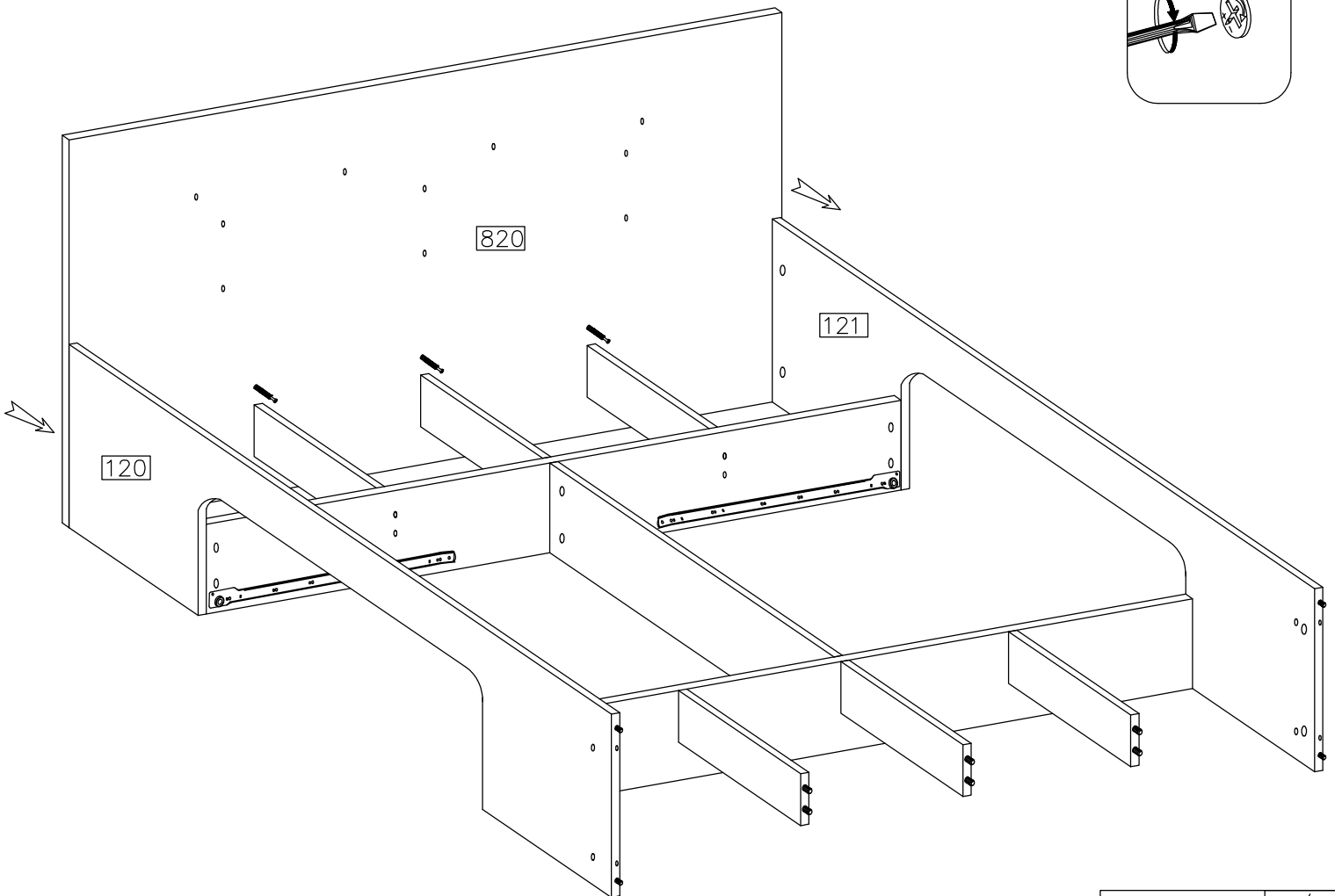
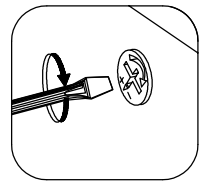
7



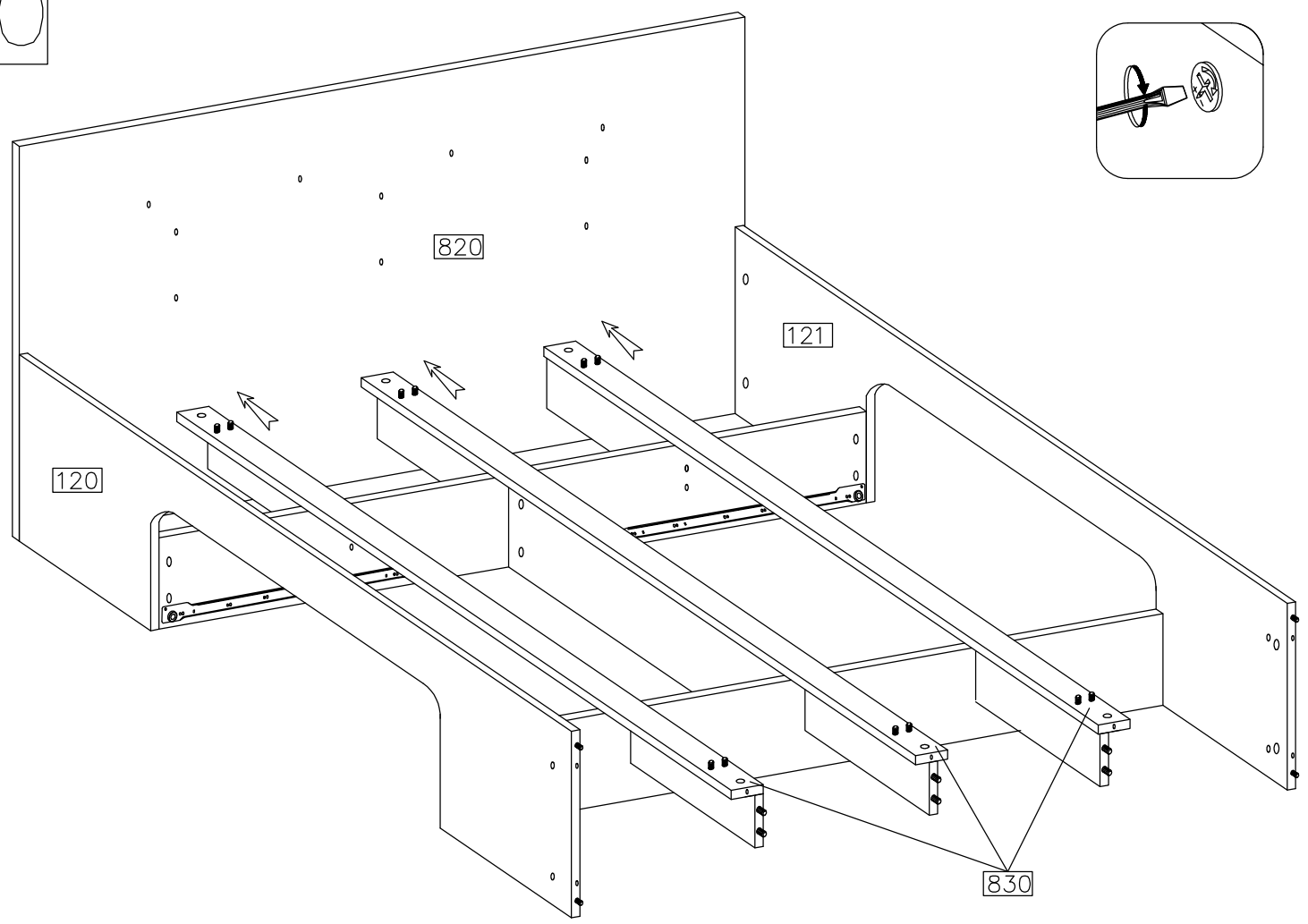
8



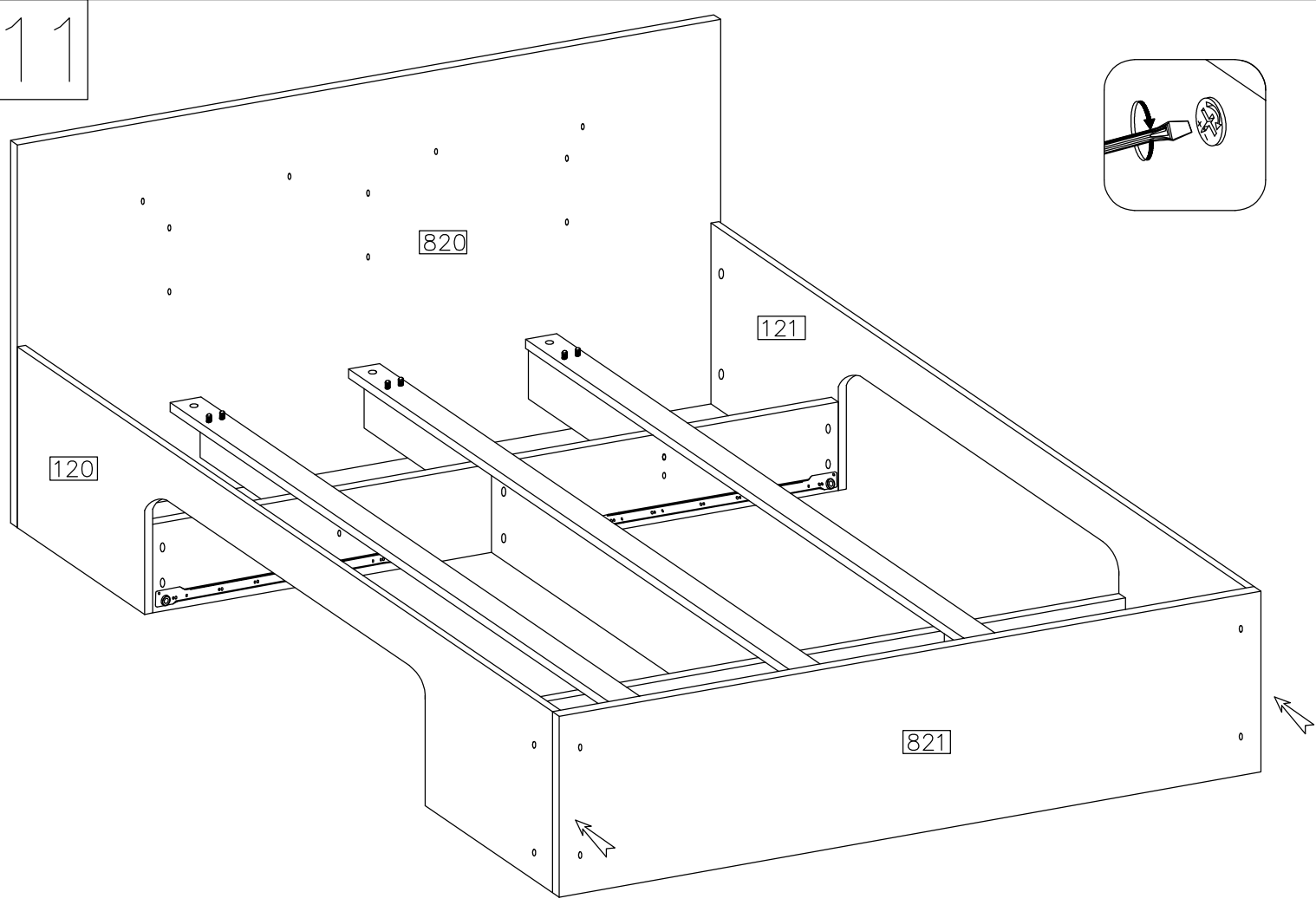
9



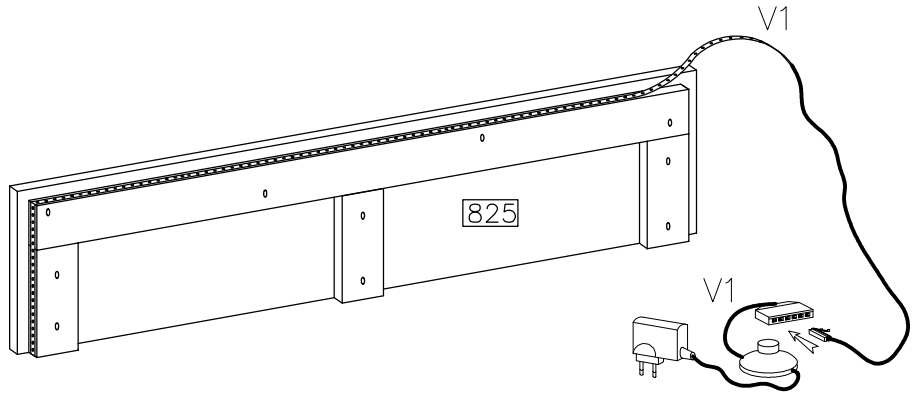
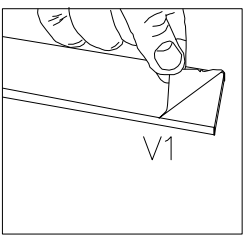
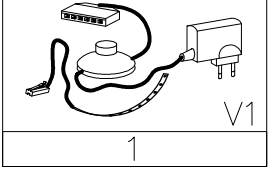
10



11

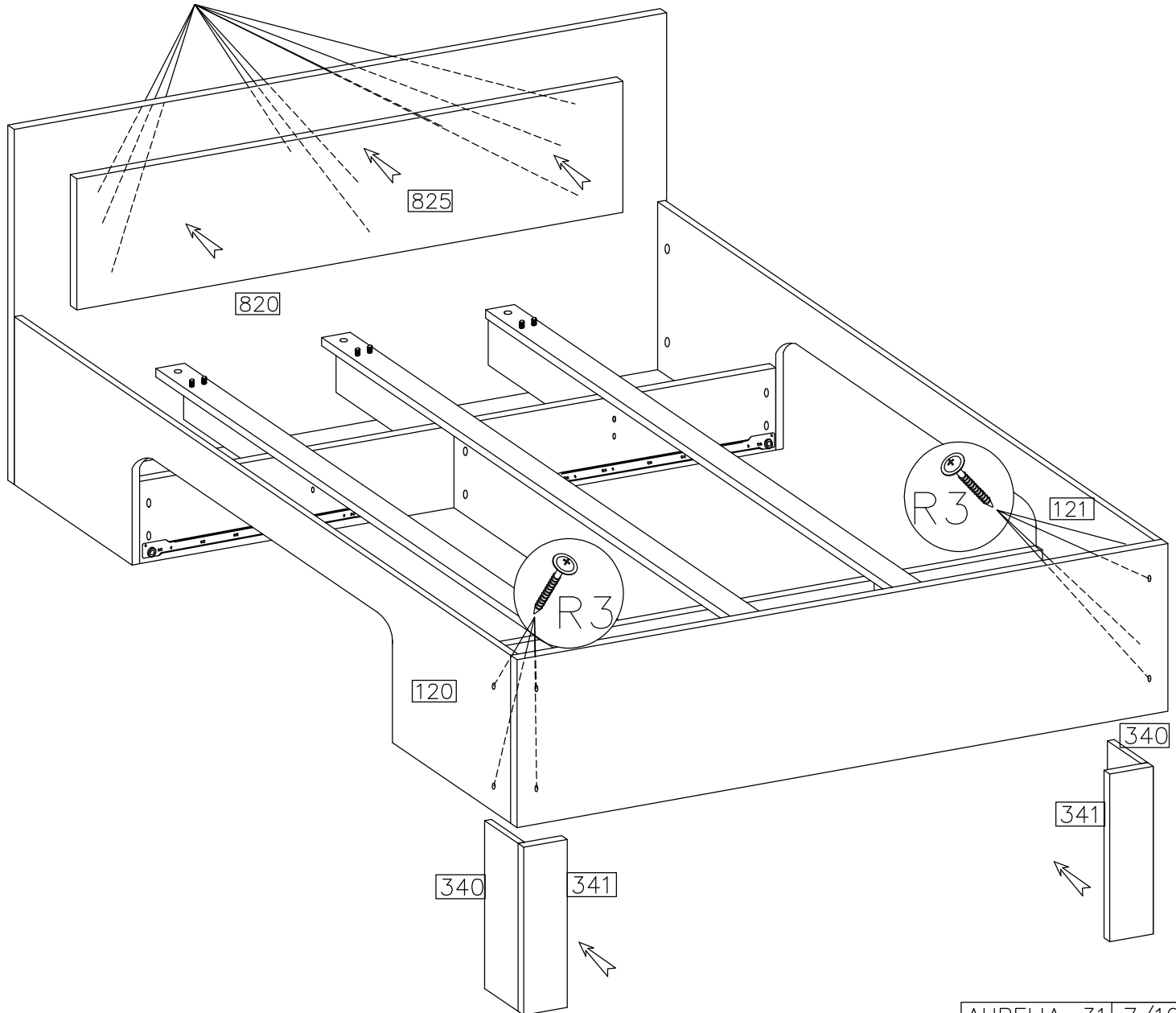


12


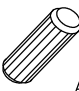



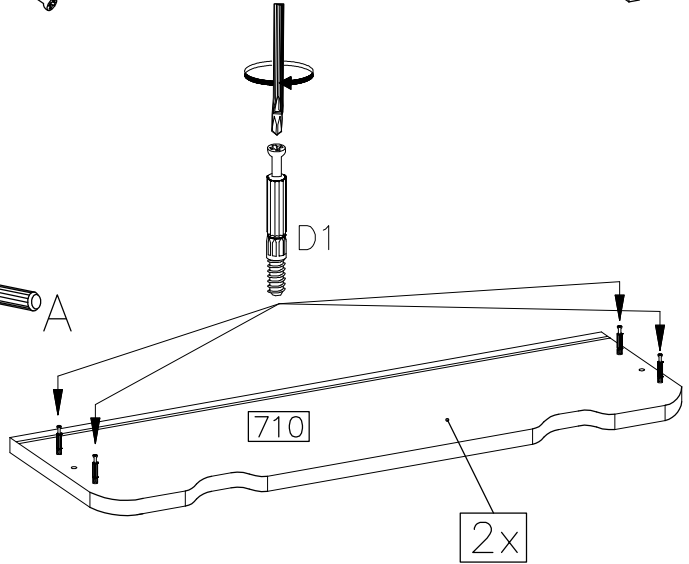
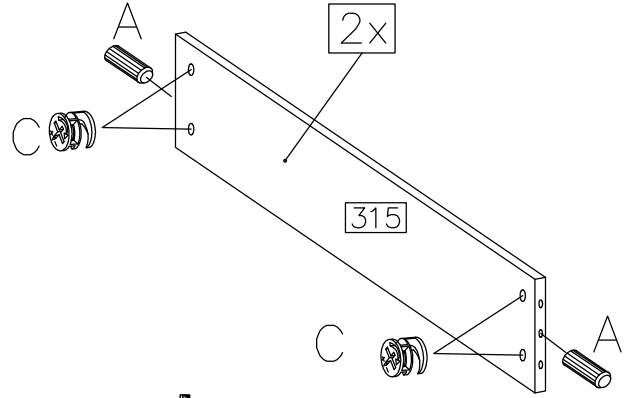
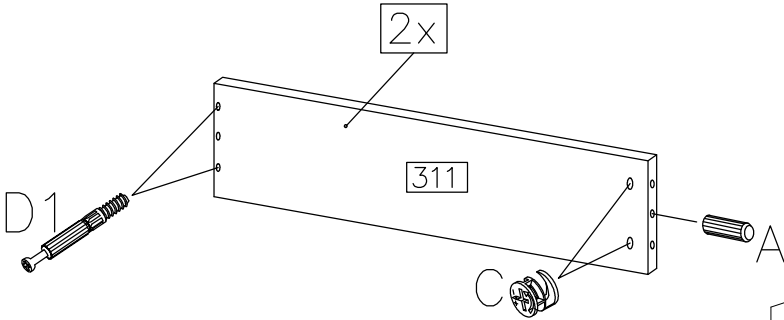
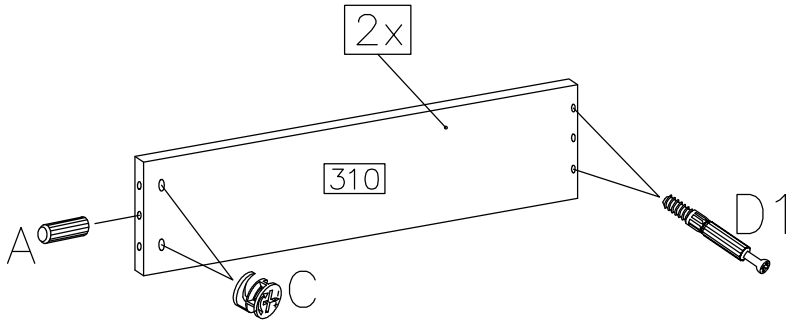
13

4.0x40mm	4.0x30mm
P5	R3
10	8

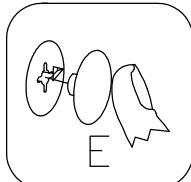
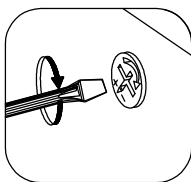
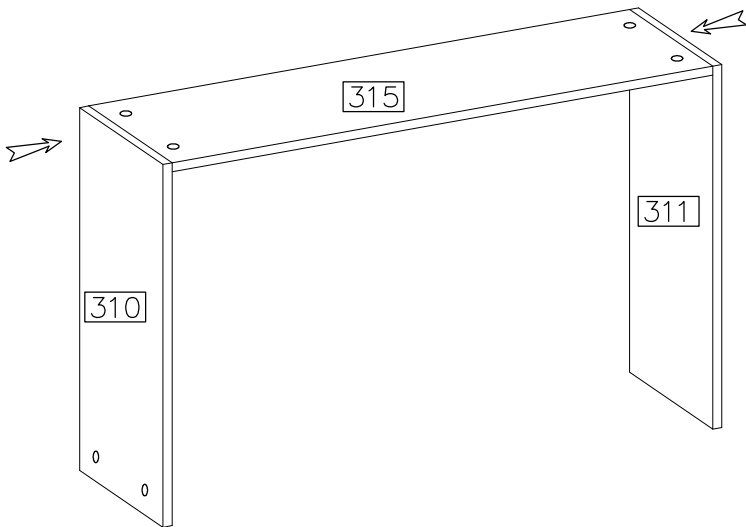
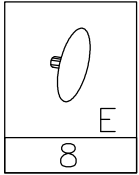


14

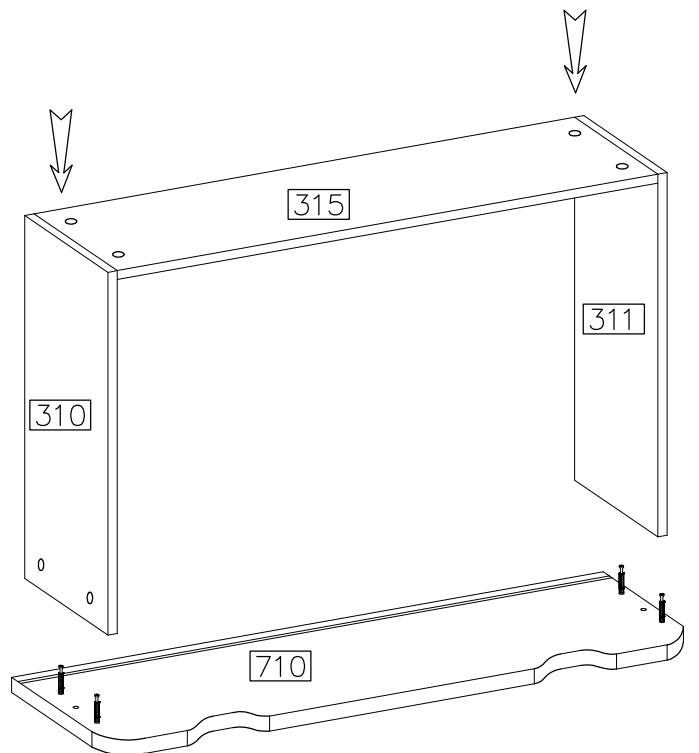
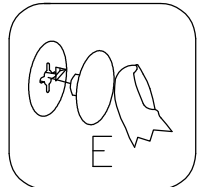
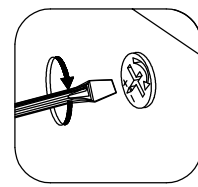
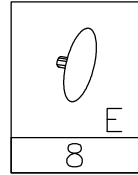
$\varnothing 15/12$  C 16	$\varnothing 8 \times 30$  A 8	 D1 16
---------------------------------------------------------------------------------------------------------------------	--------------------------------------------------------------------------------------------------------------------------	----------------------------------------------------------------------------------------------



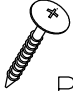
15

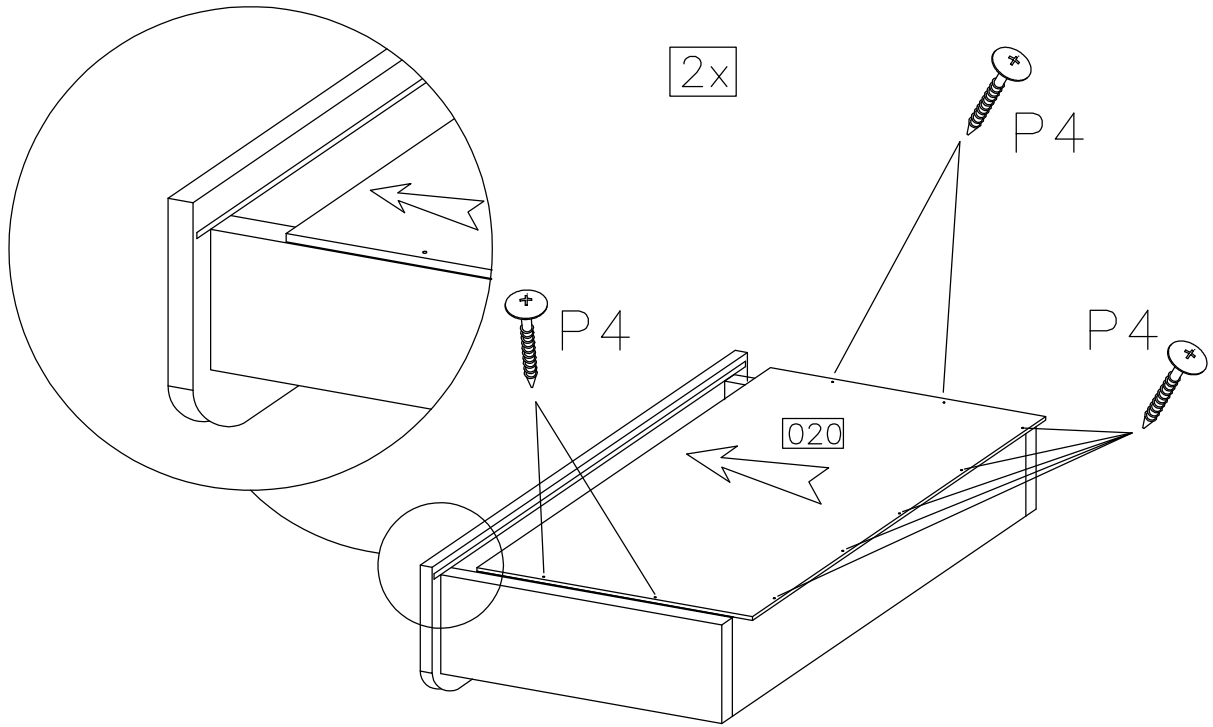


16

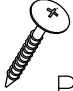



17

4.0x20mm

P4
18



18

4.0x20mm	L-550
	
P4	PR
12	2 KPL

2x

