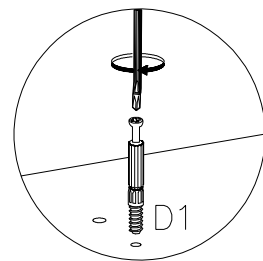
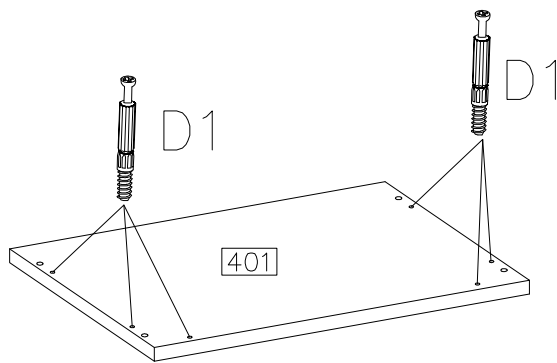
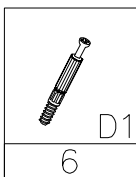
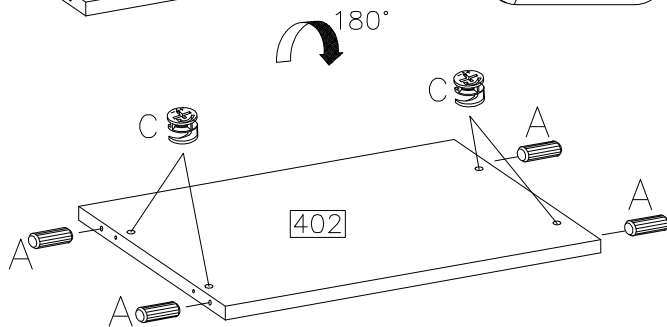
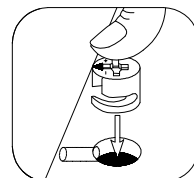
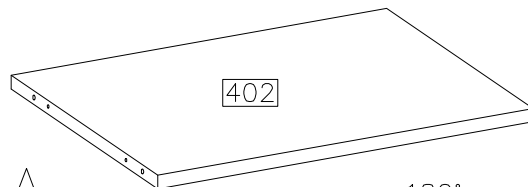
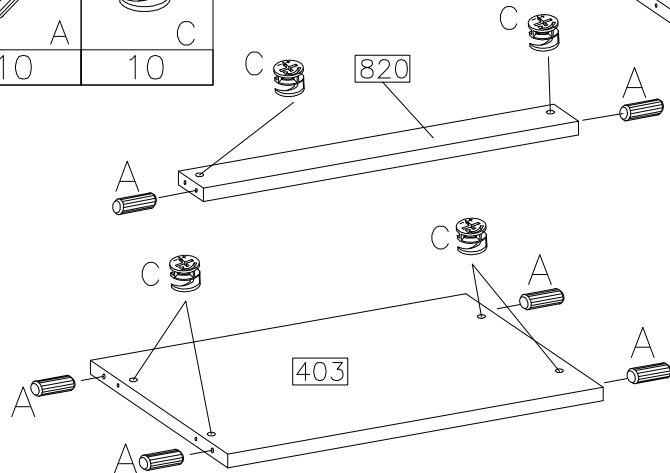
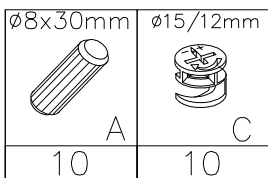




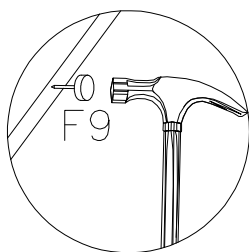
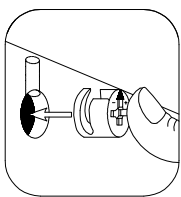
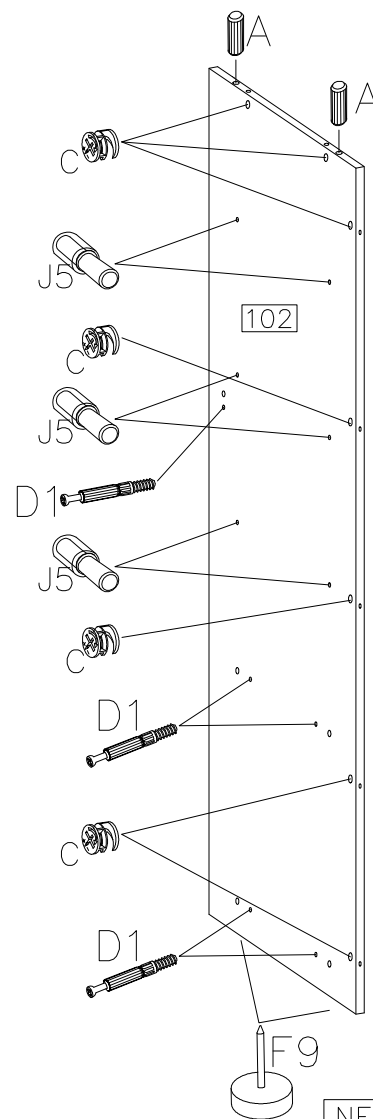
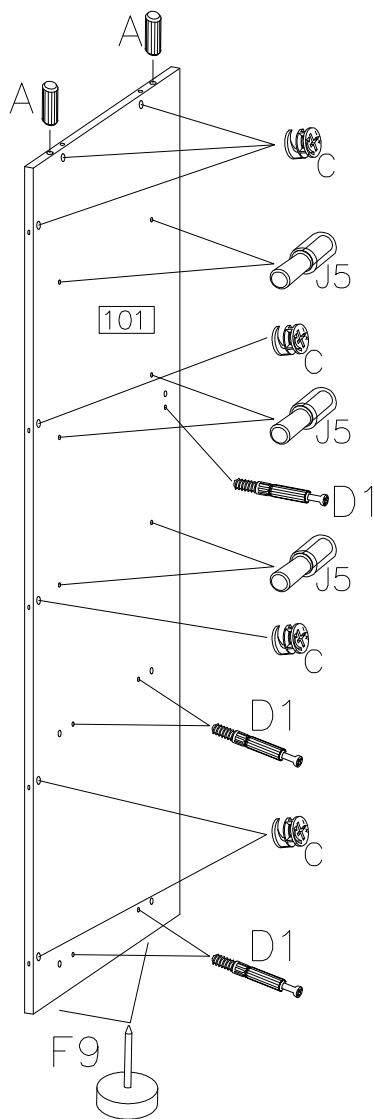
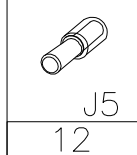
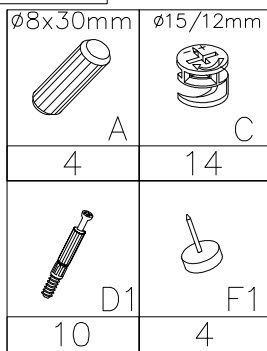
1




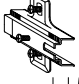


2



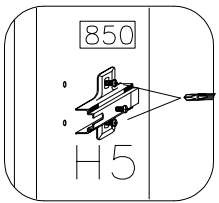
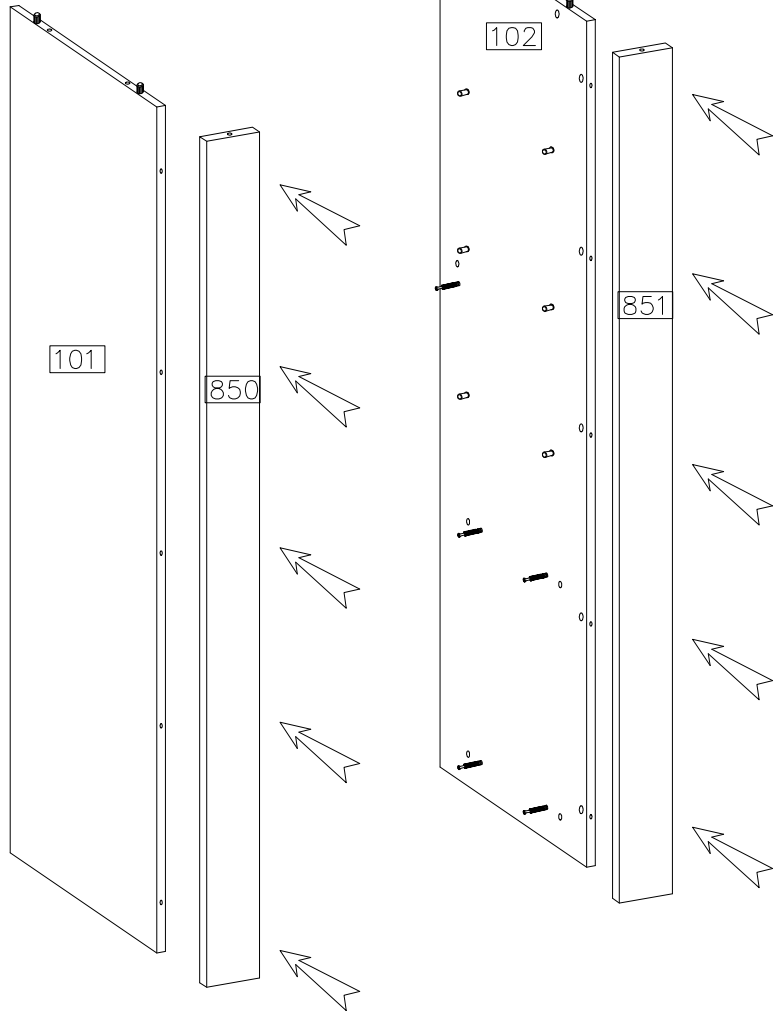
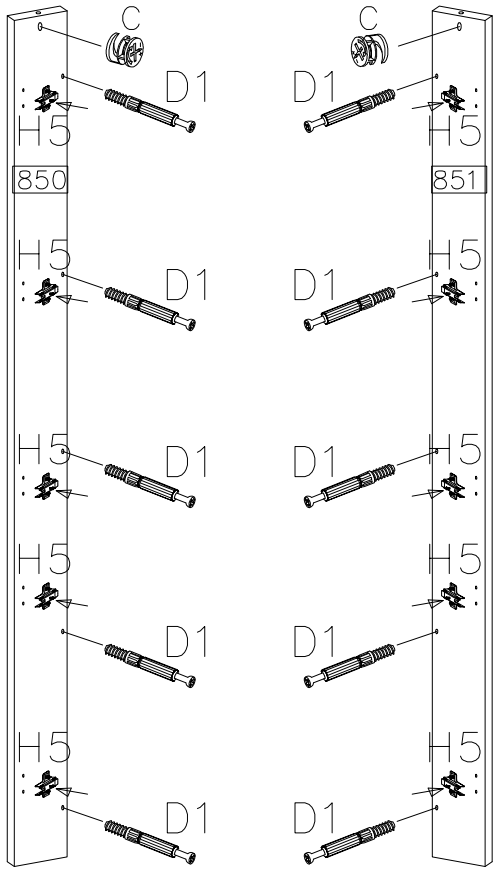
3



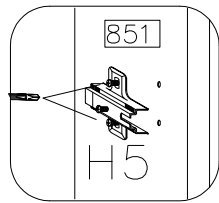
4

			
E	H5	D1	C
10	5	10	2

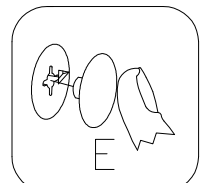
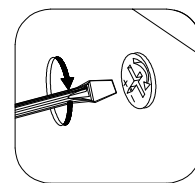
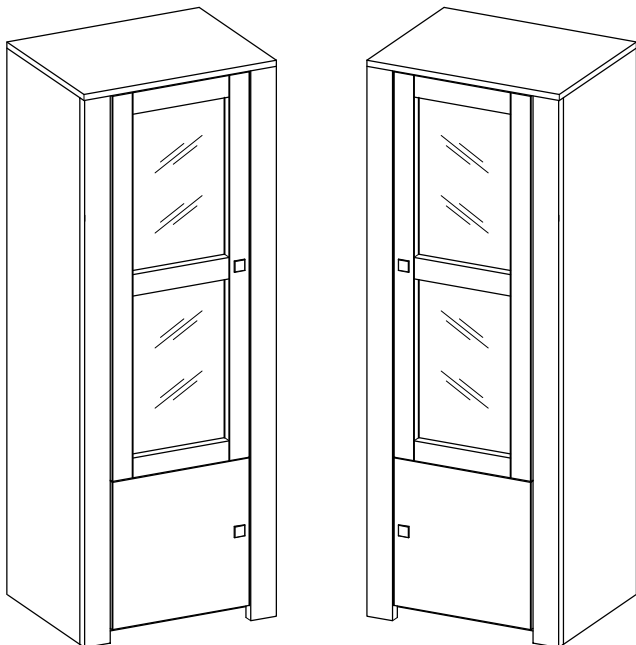
ø15/12mm



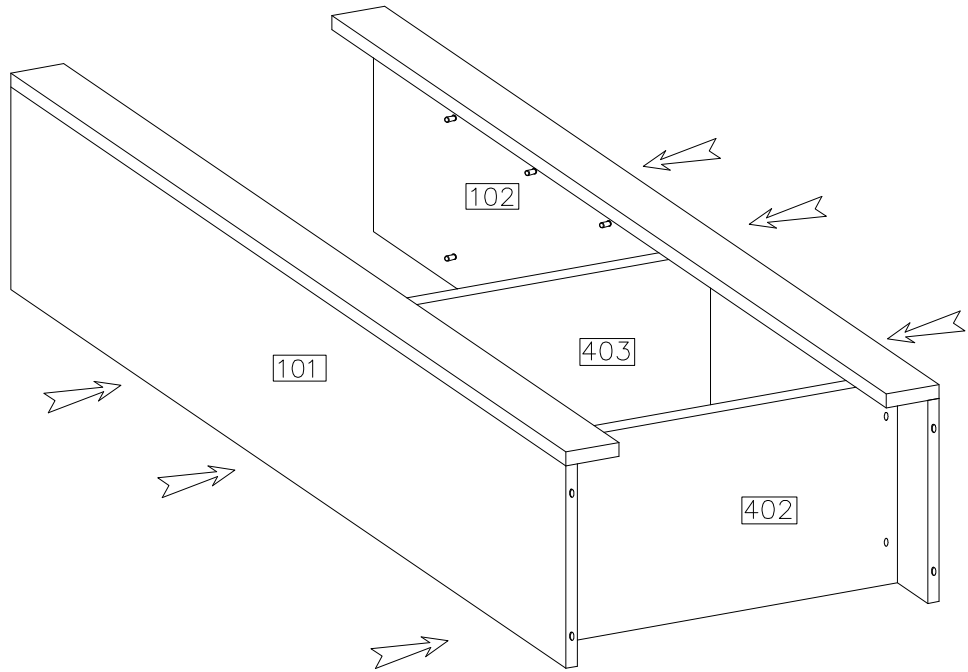
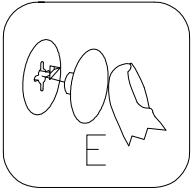
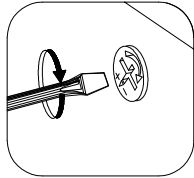
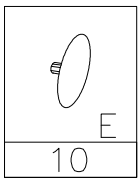
VERSION-L



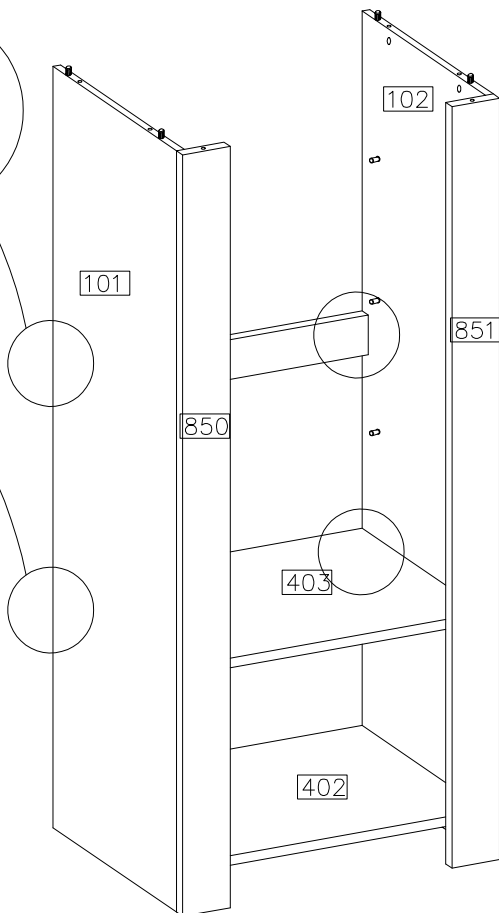
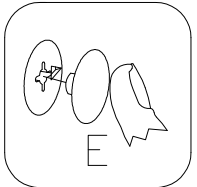
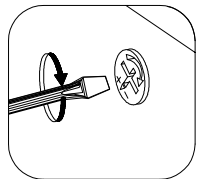
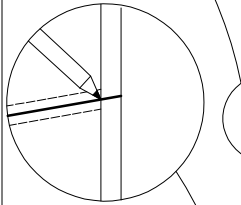
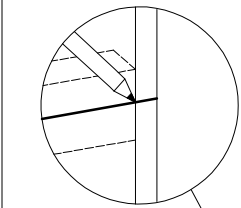
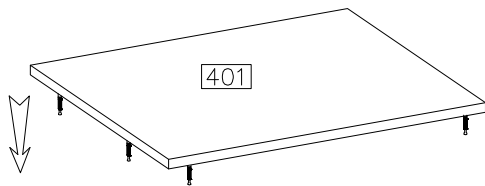
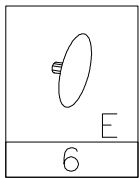
VERSION-R



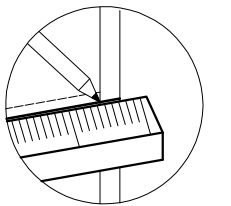
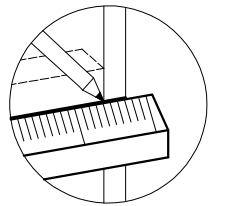
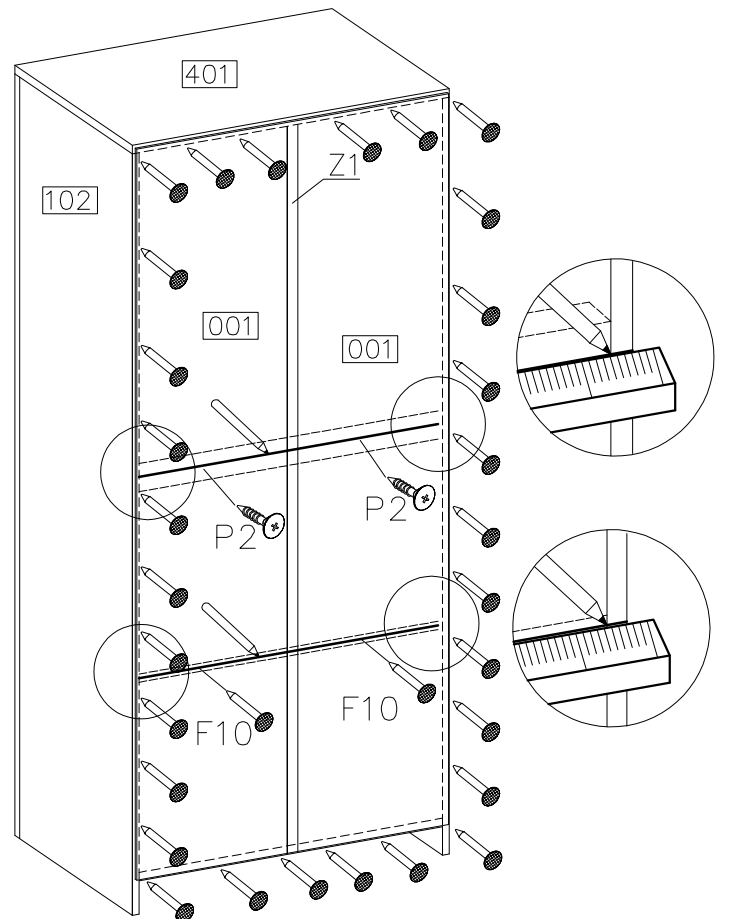
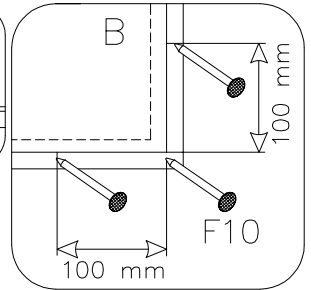
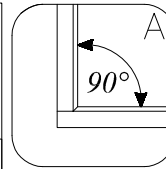
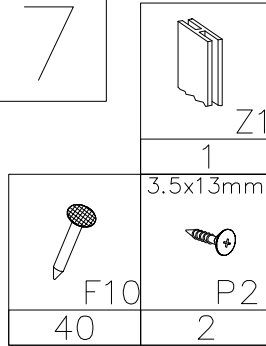
5



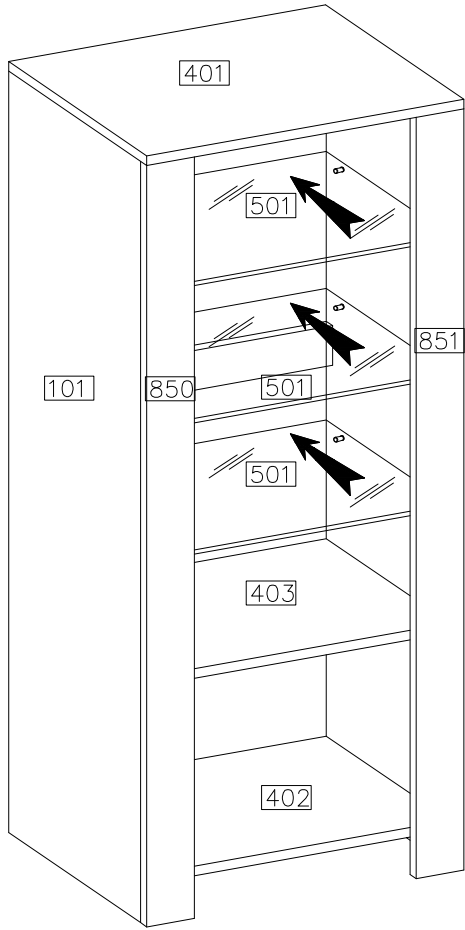
6







7

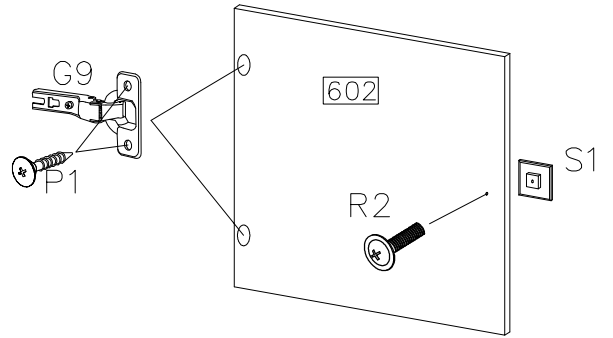


8



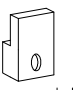
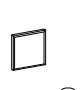



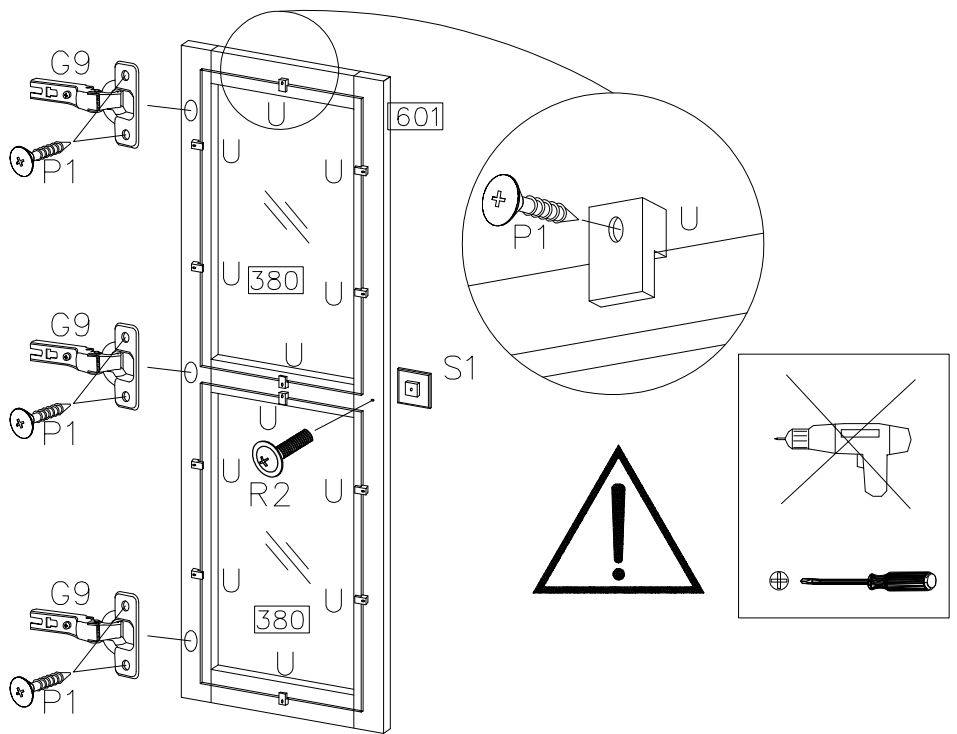
9

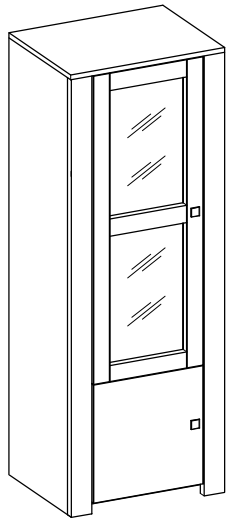
 G9	 P1	 S1	 R2
2	4	1	1



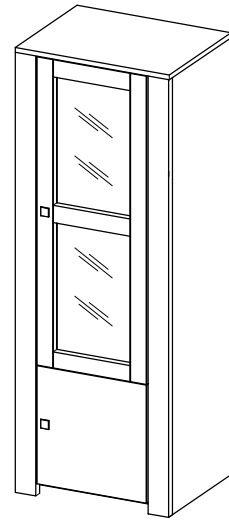
10

 G9	 P1
3	18
 U	 S1
12	1
 R2	
1	





VERSION-L



VERSION-R

