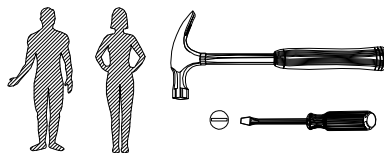
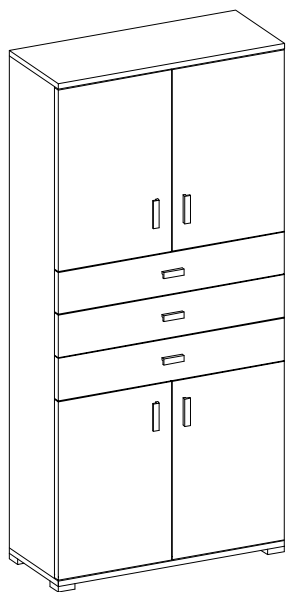
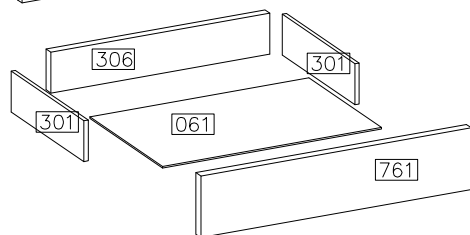
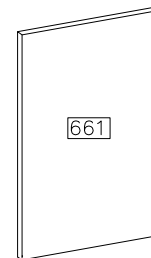
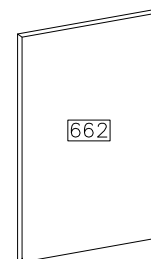
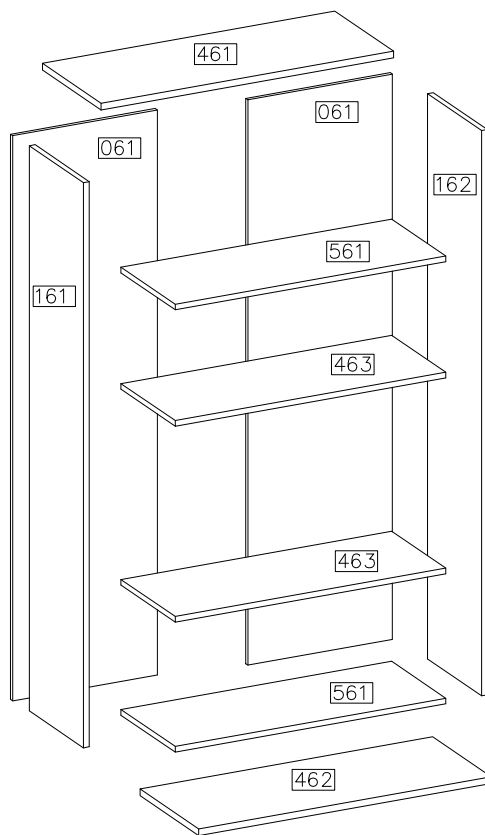
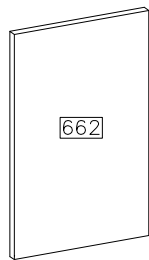
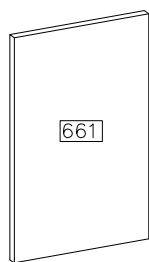
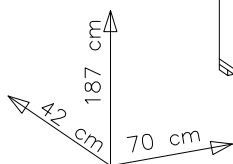
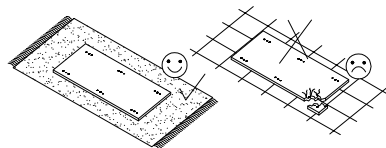


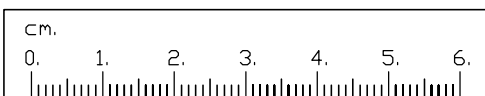
NELLY-REGAL Z SZUFLADAMI




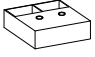
#	ART. NR	QUANTITY
1	461	1
2	462	1
3	463	2
4	161	1
5	162	1
6	561	2
7	061	2
8	661	2
9	662	2
10	761	3
11	301	6
12	306	3
13	061	3

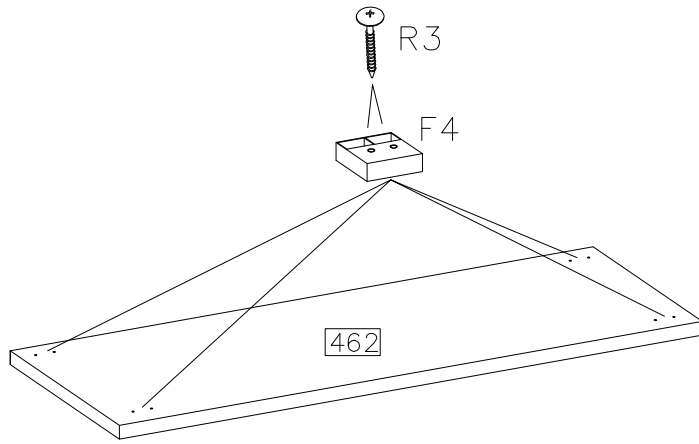


	ø15/12mm 		ø8x30mm 	H=0 	ø35/KR-0 	ø4.0x16mm 		4.0x27mm
D1	C	E	A	H4	G6	P1	S1	R2
16	16	16	40	8	8	28	7	14
		3.5x13mm 	L-350 					
F10	J4	P2	PR	O11	Z1	F4		
70	8	12	3KPL	1	1	4		




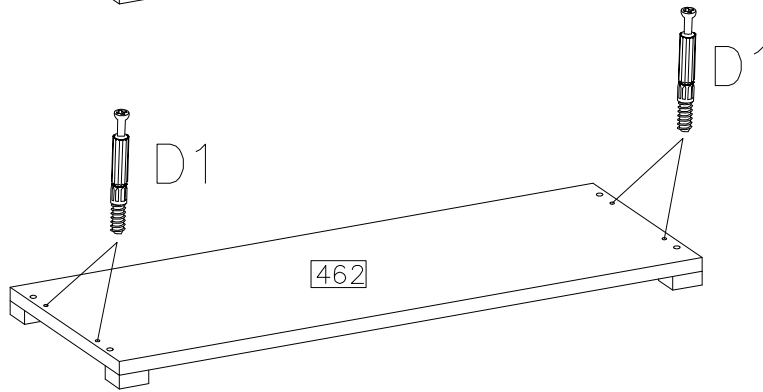
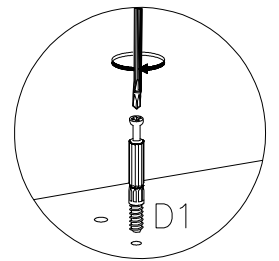
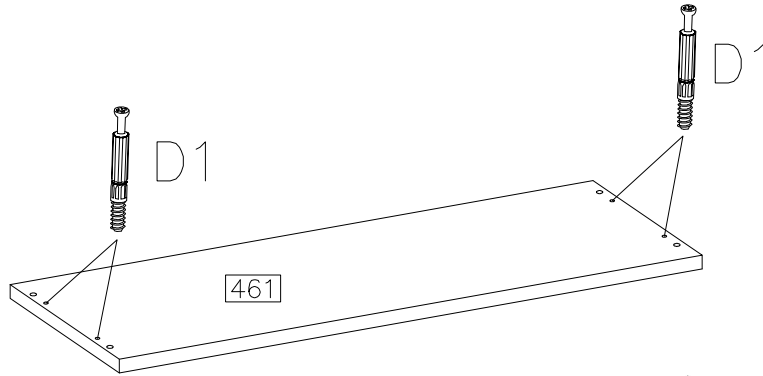
1

4.0x35mm		
	R3	F4
	8	4

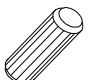



2

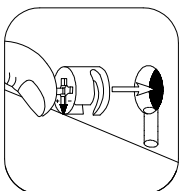
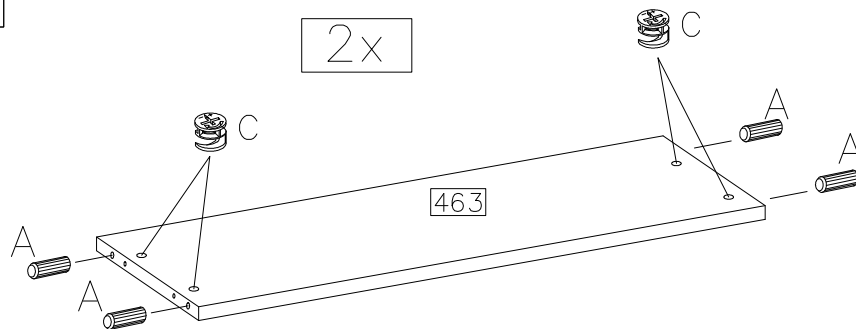

D1
8





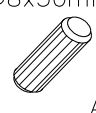
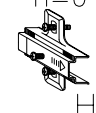



3

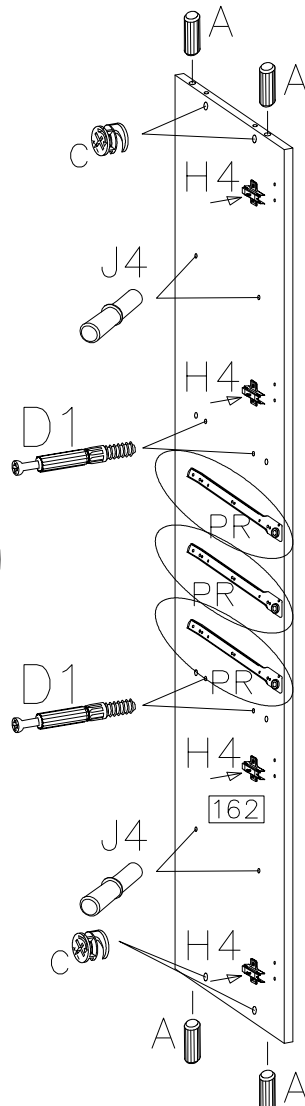
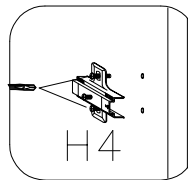
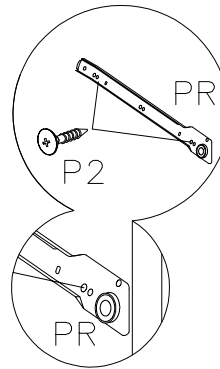
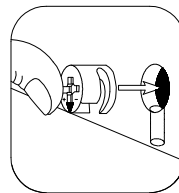
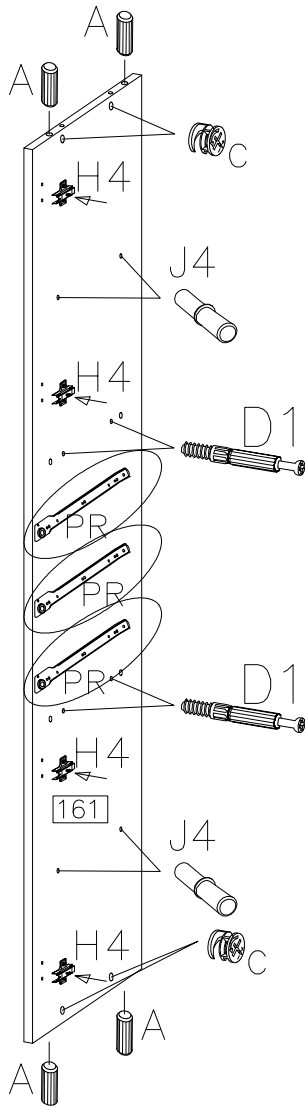
$\varnothing 8 \times 30 \text{mm}$	$\varnothing 15 / 12 \text{mm}$
	
A	C
8	8

2x




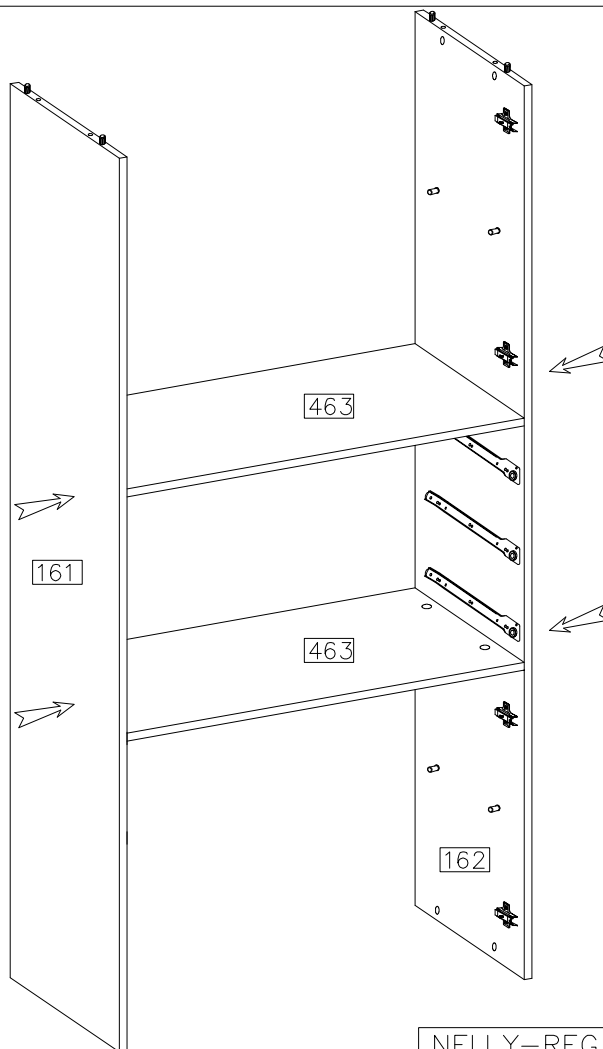
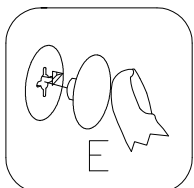
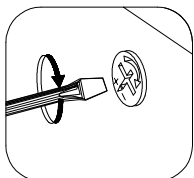
4

 D1	 C
8 ø8x30mm	8 H=0
 A	 H4
8 3.5x13mm	8 L-350
 P2	 PR
12	3KPL
 J4	
8	

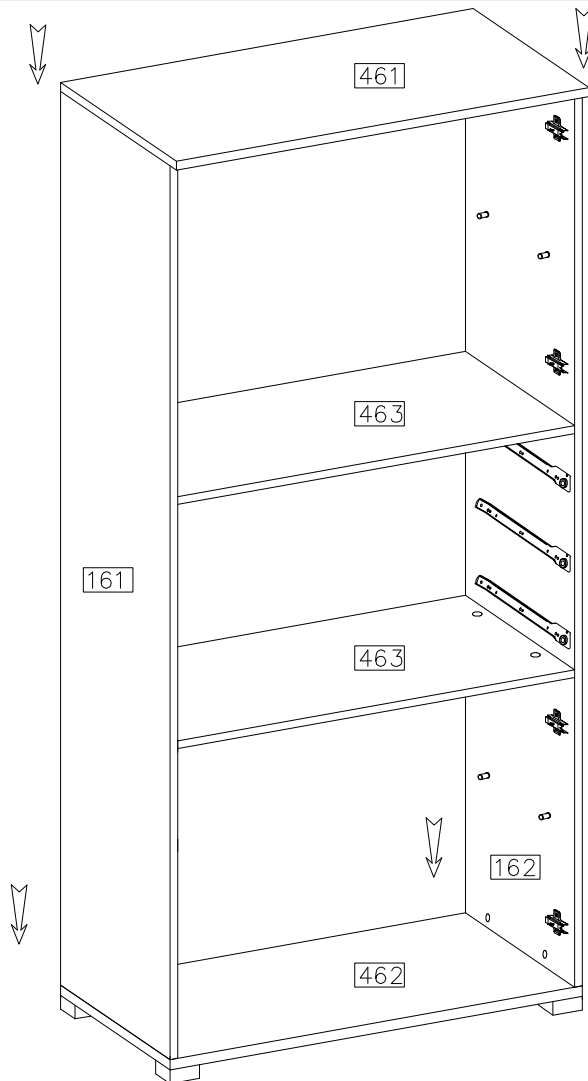
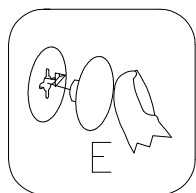
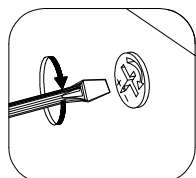
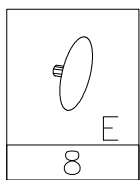


5

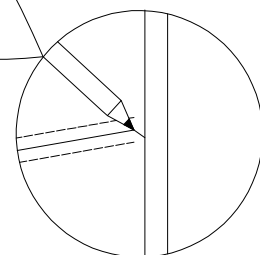
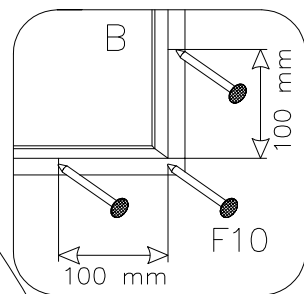
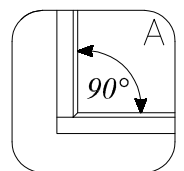
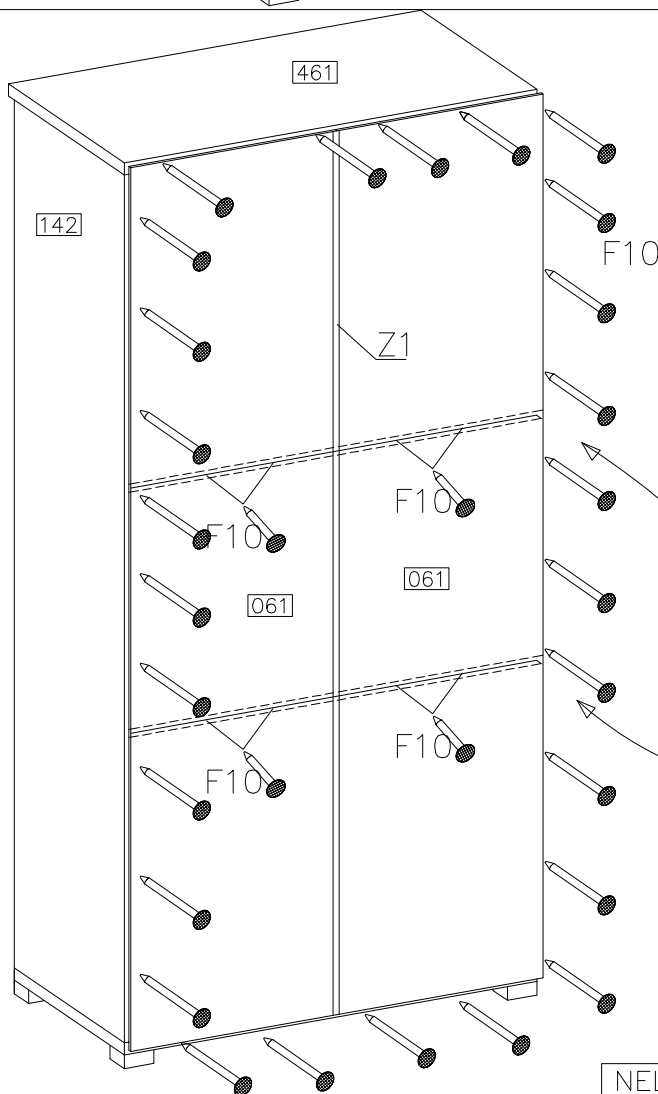
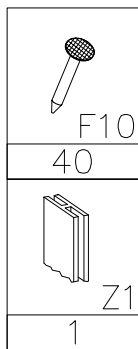
 E
8



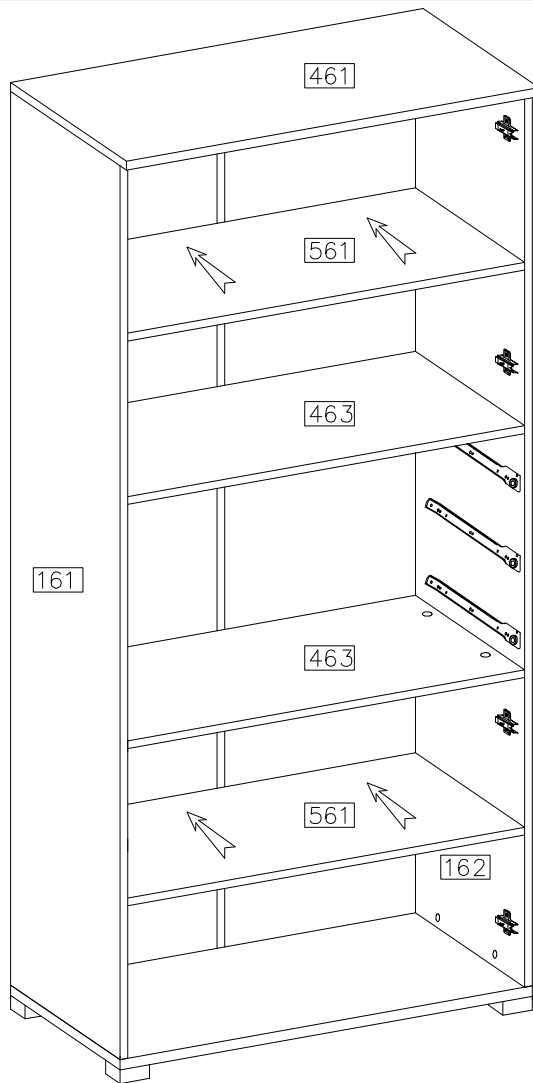
6



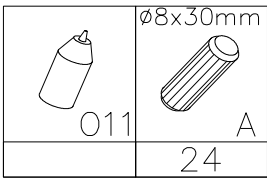
7



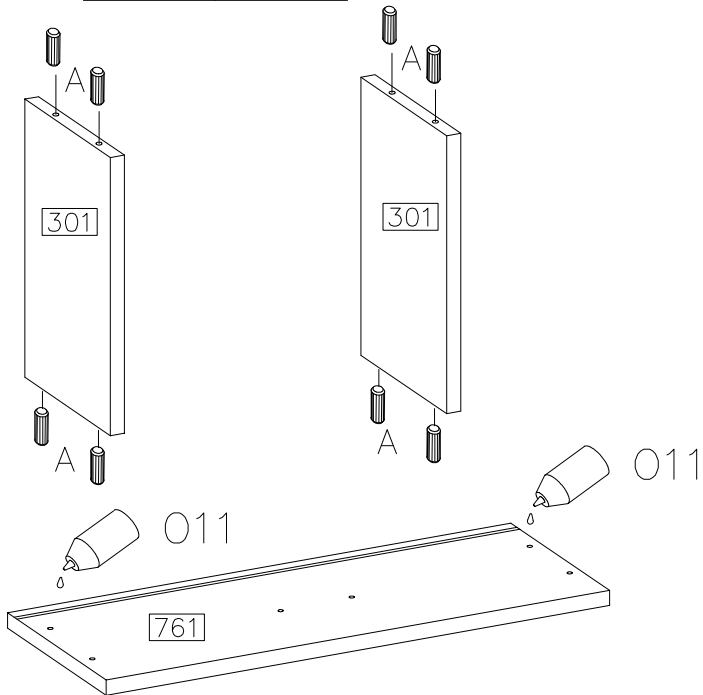
8



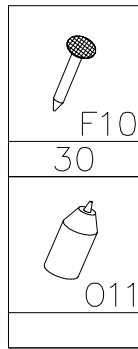
9



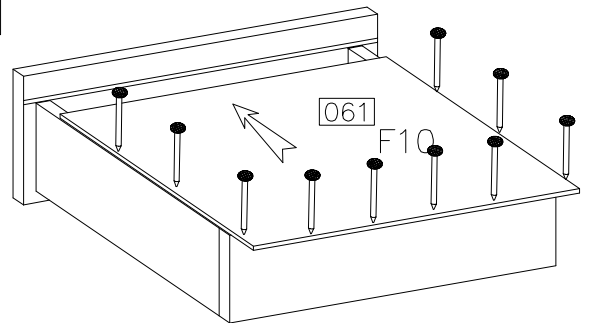
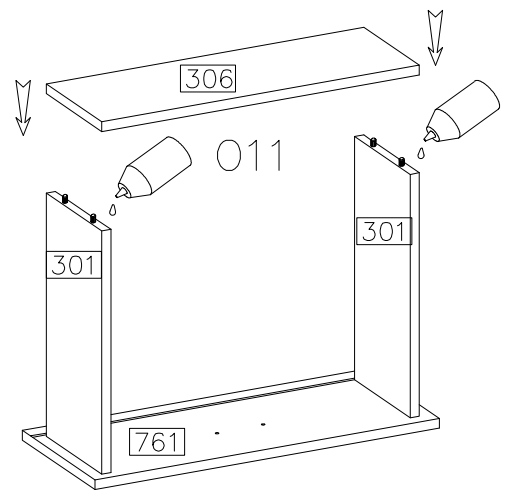
3x




10

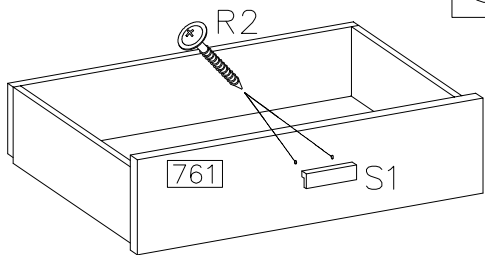


3x



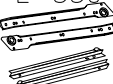
11

	4.0x27mm
S1	R2
3	6

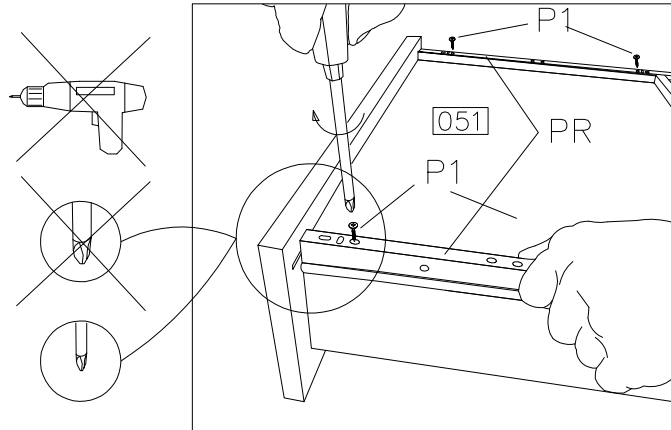


3x

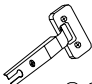
12

L-350	∅4.0x16mm
	P1
PR	P1
3KPL	12

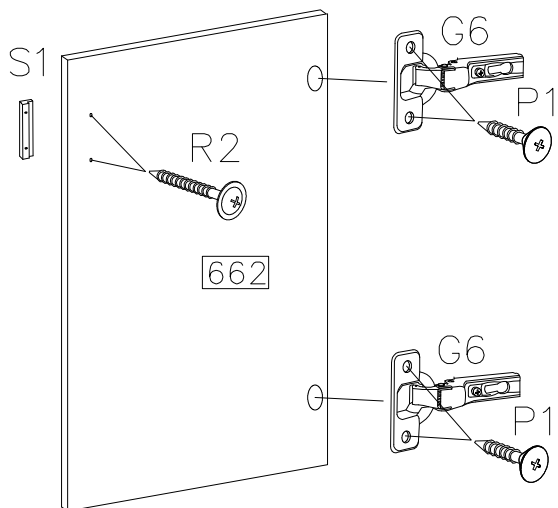
3x



13

∅35/KR-0	∅4.0x16mm		4.0x27mm
	P1	S1	R2
G6	P1	S1	R2
8	16	4	8

2x



2x

