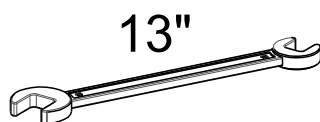
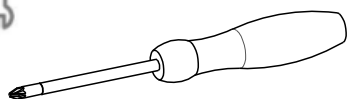
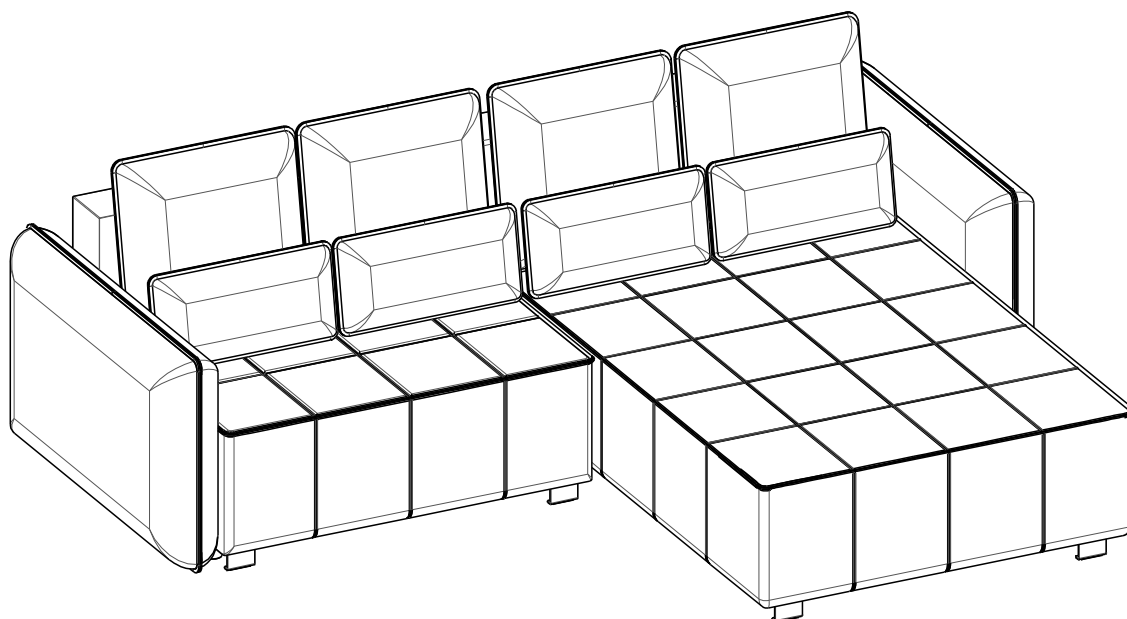
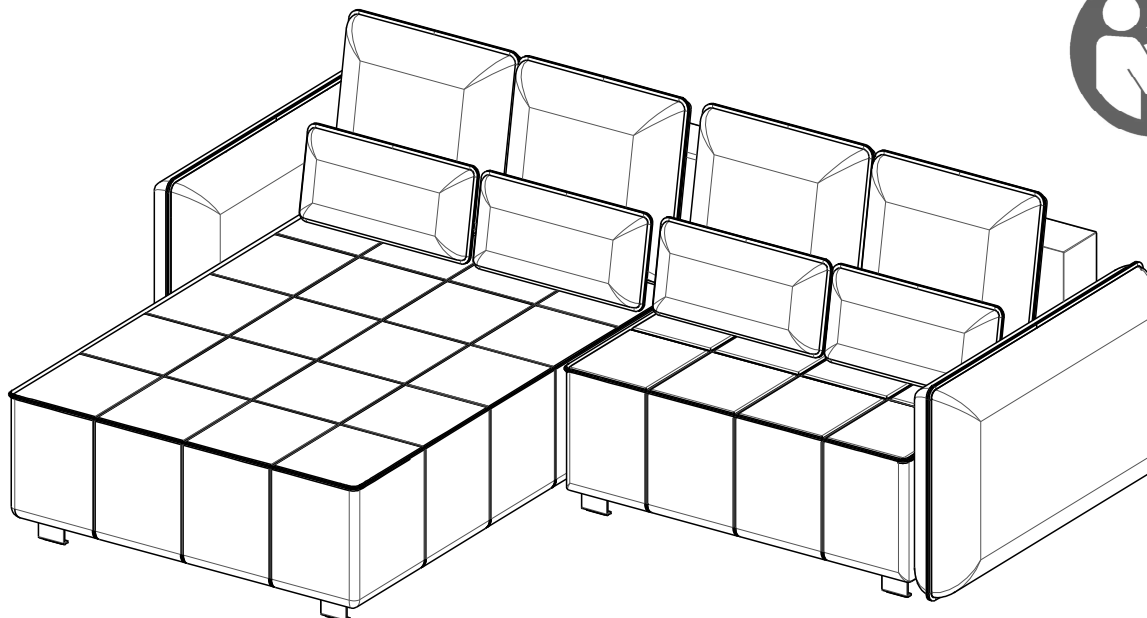
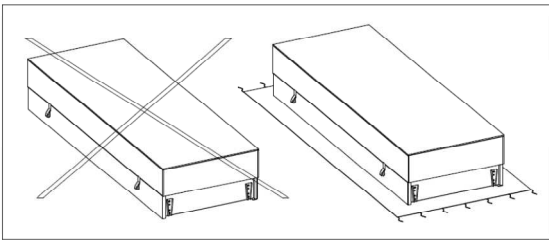


CAMPO

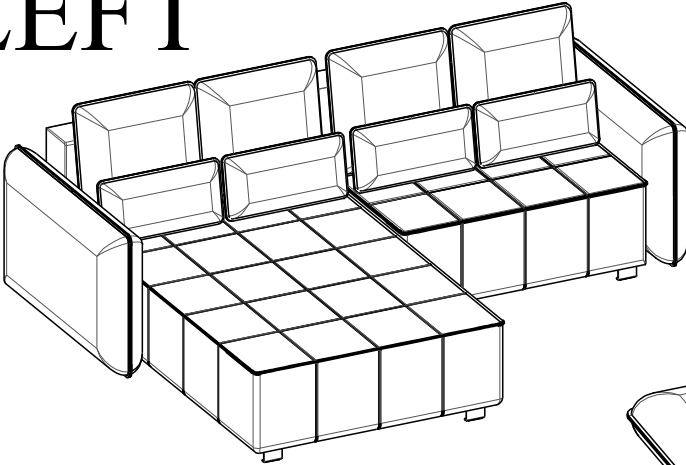


40min 1/11

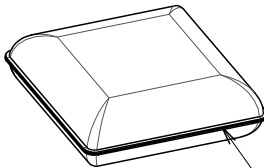
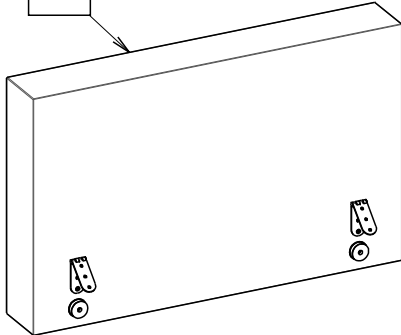


O	1x
K	1x
L	1x
B	1x
P1	3x
P2	3x

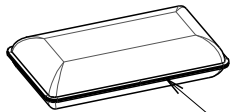
LEFT



O

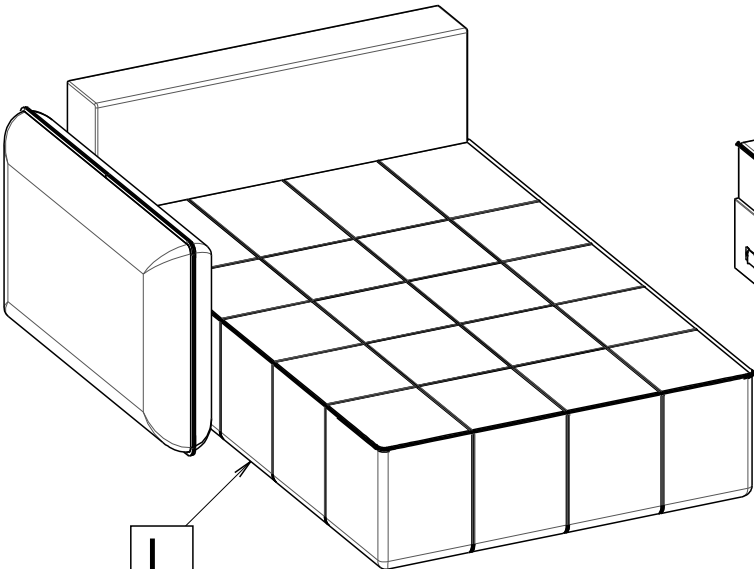
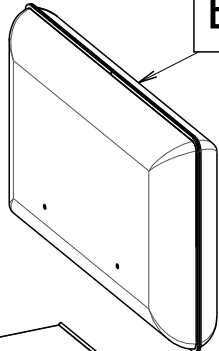


P1

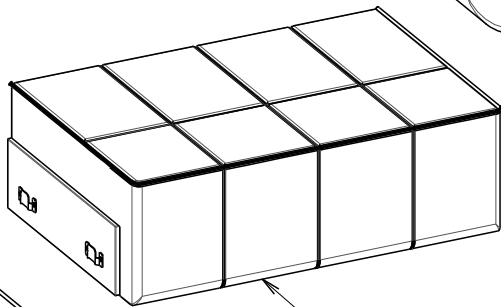


P2

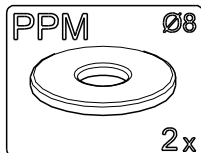
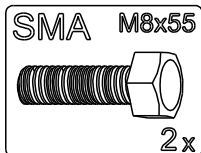
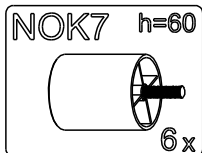
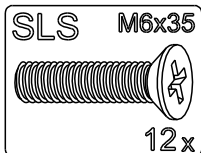
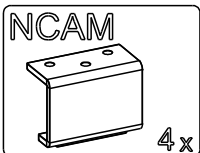
B

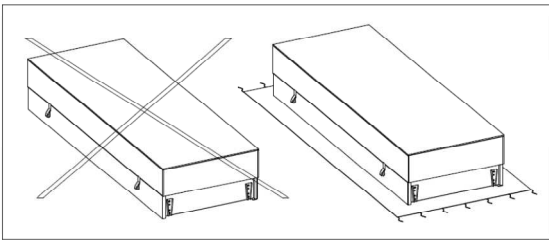


L



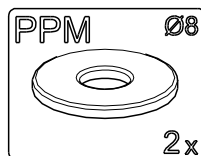
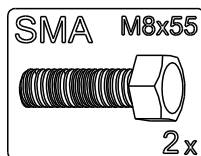
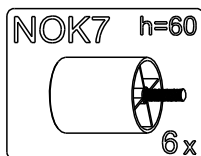
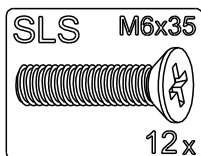
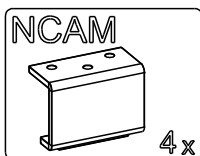
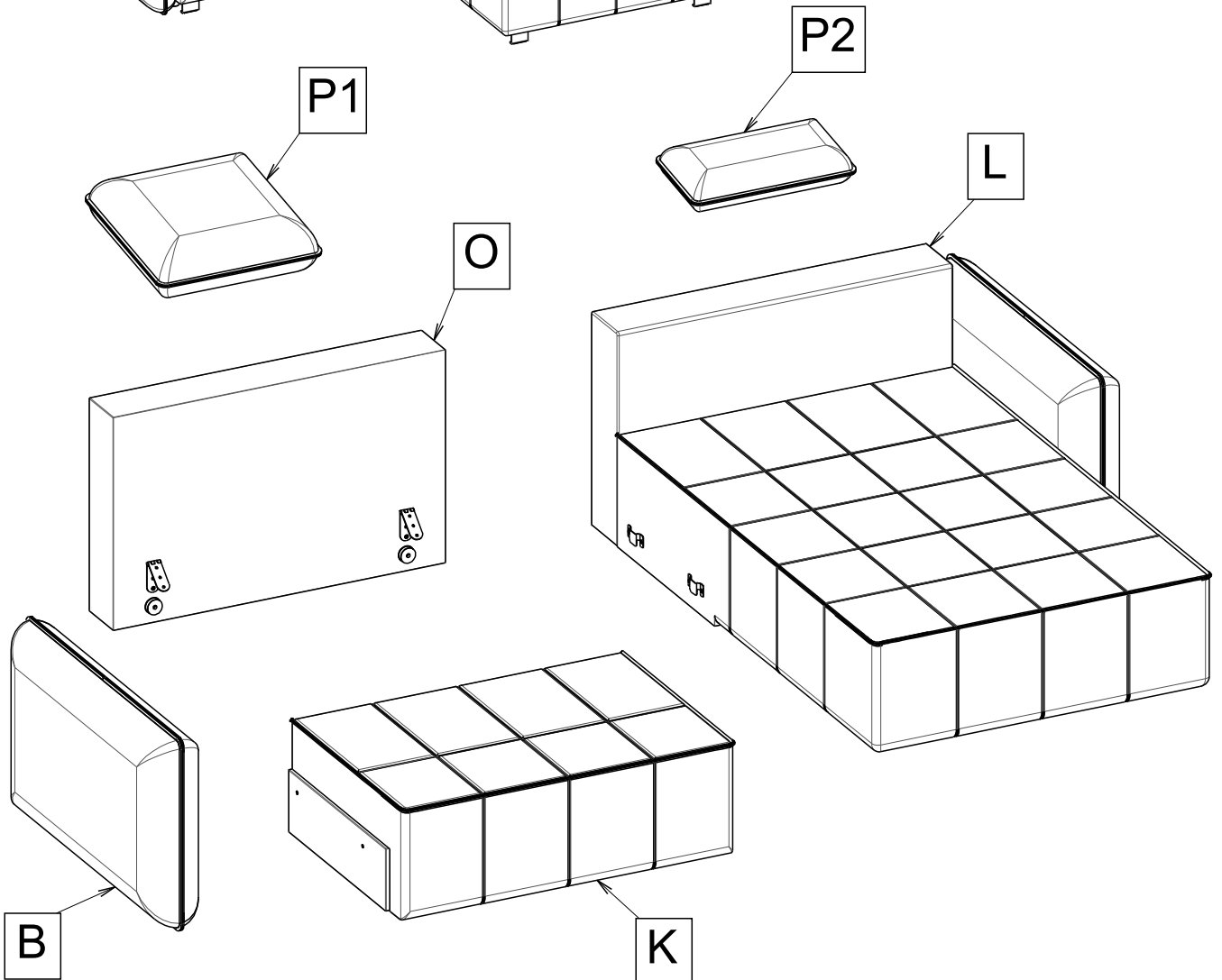
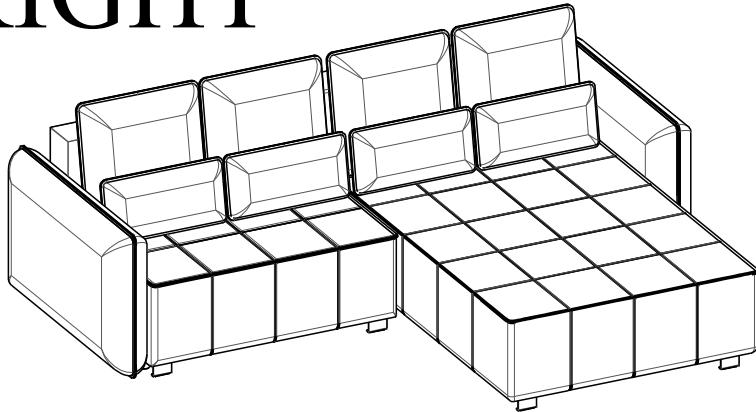
K





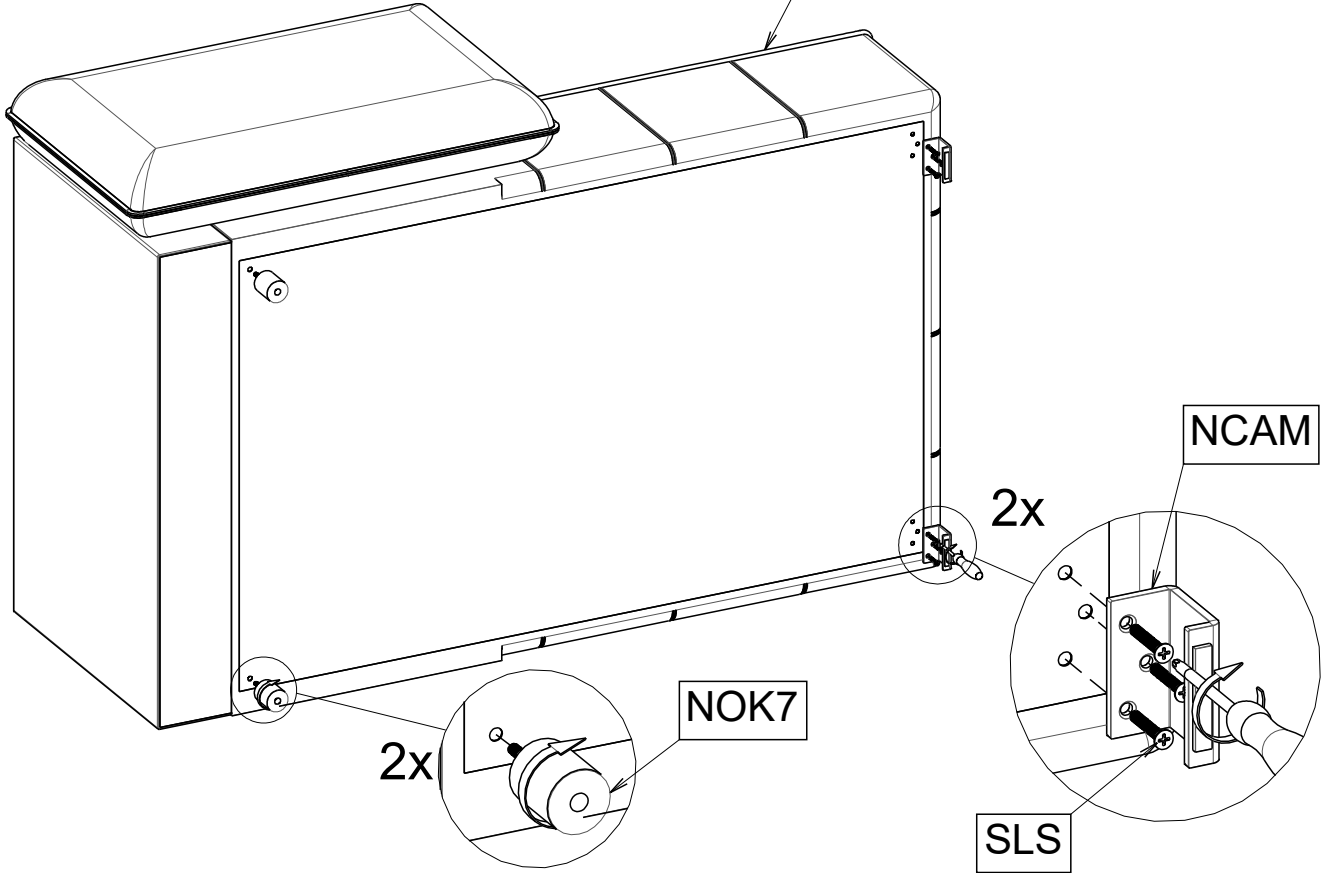
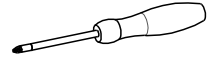
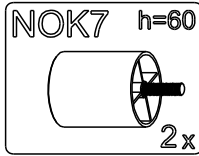
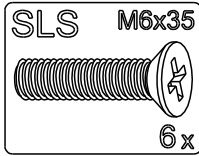
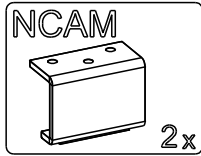
RIGHT

O	1x
K	1x
L	1x
B	1x
P1	3x
P2	3x

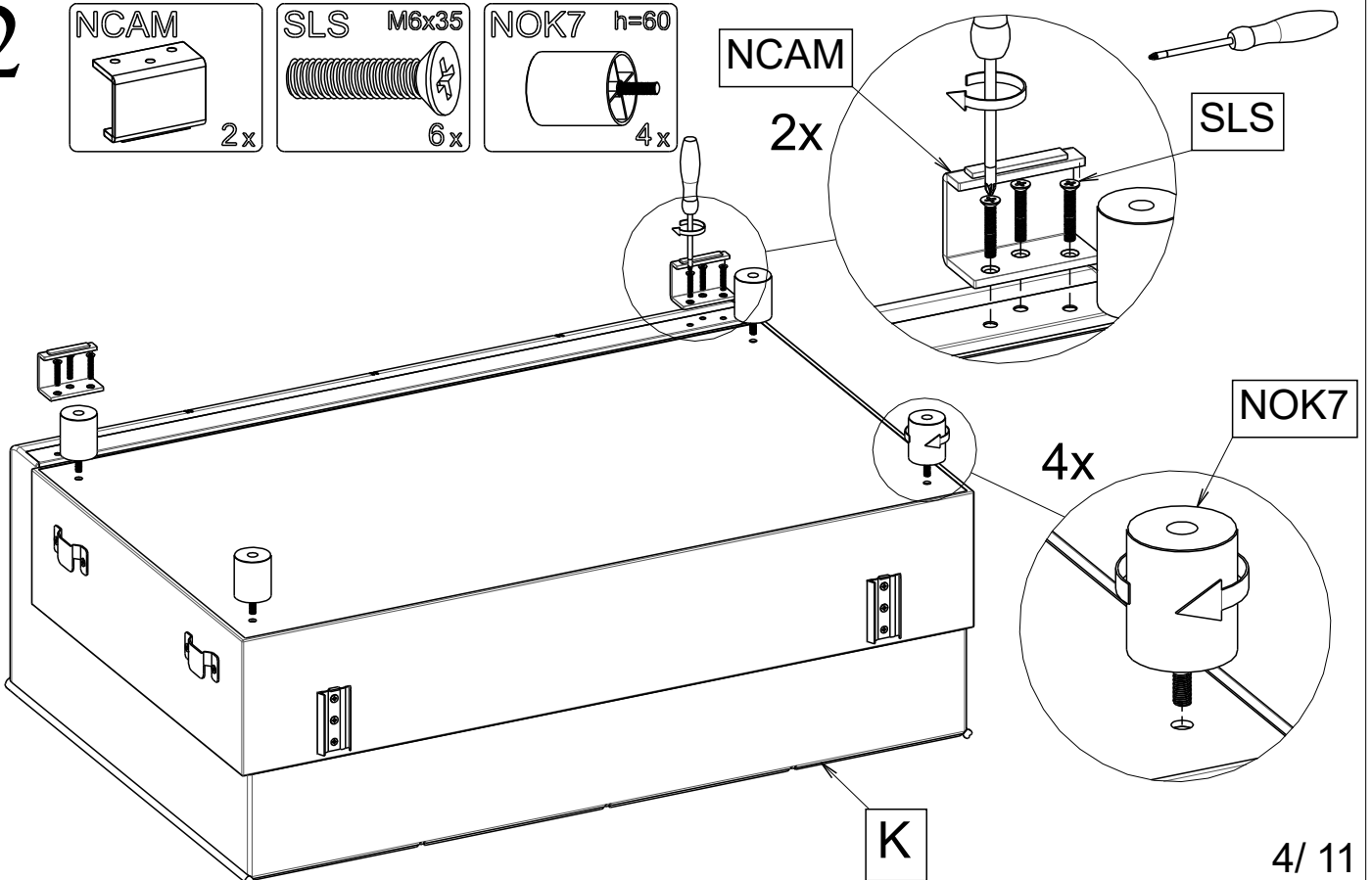
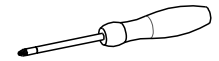
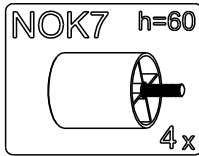
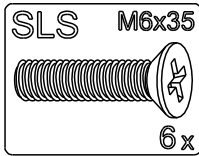
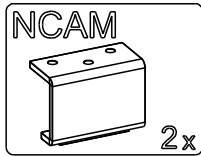


LEFT

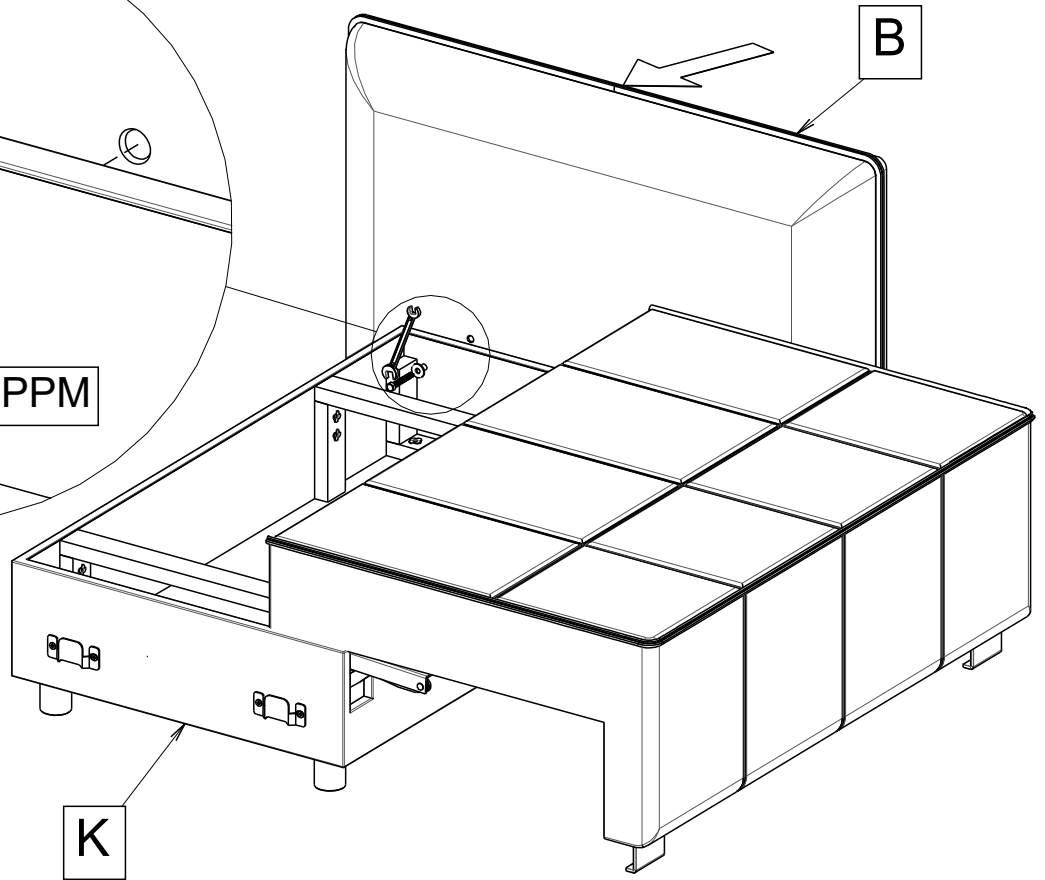
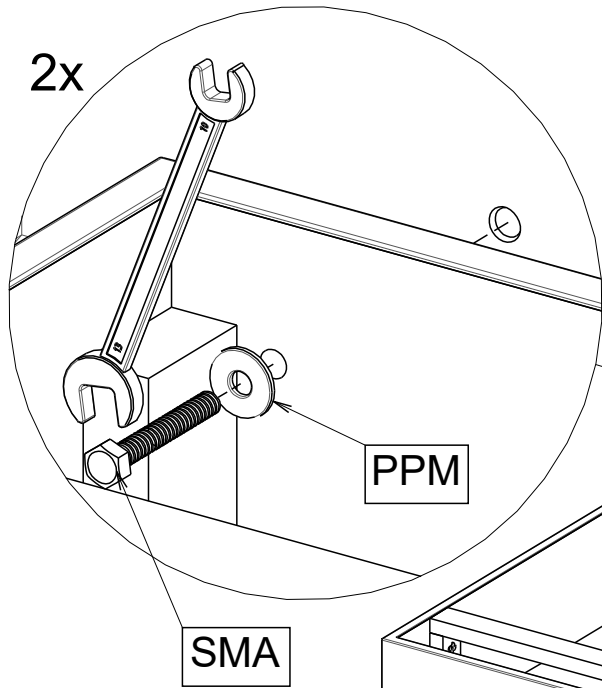
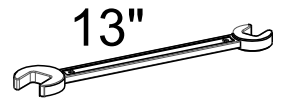
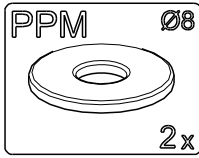
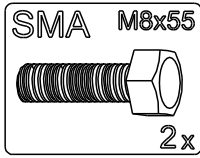
1



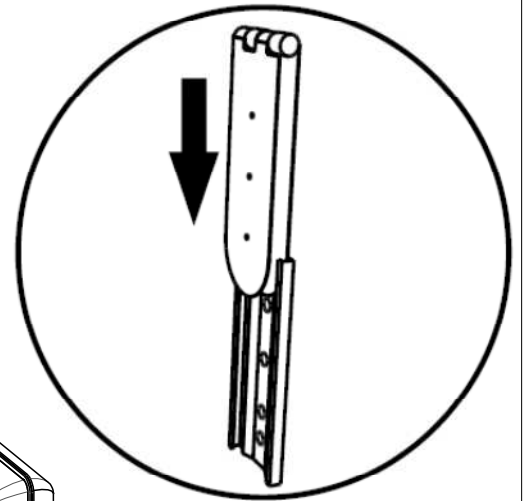
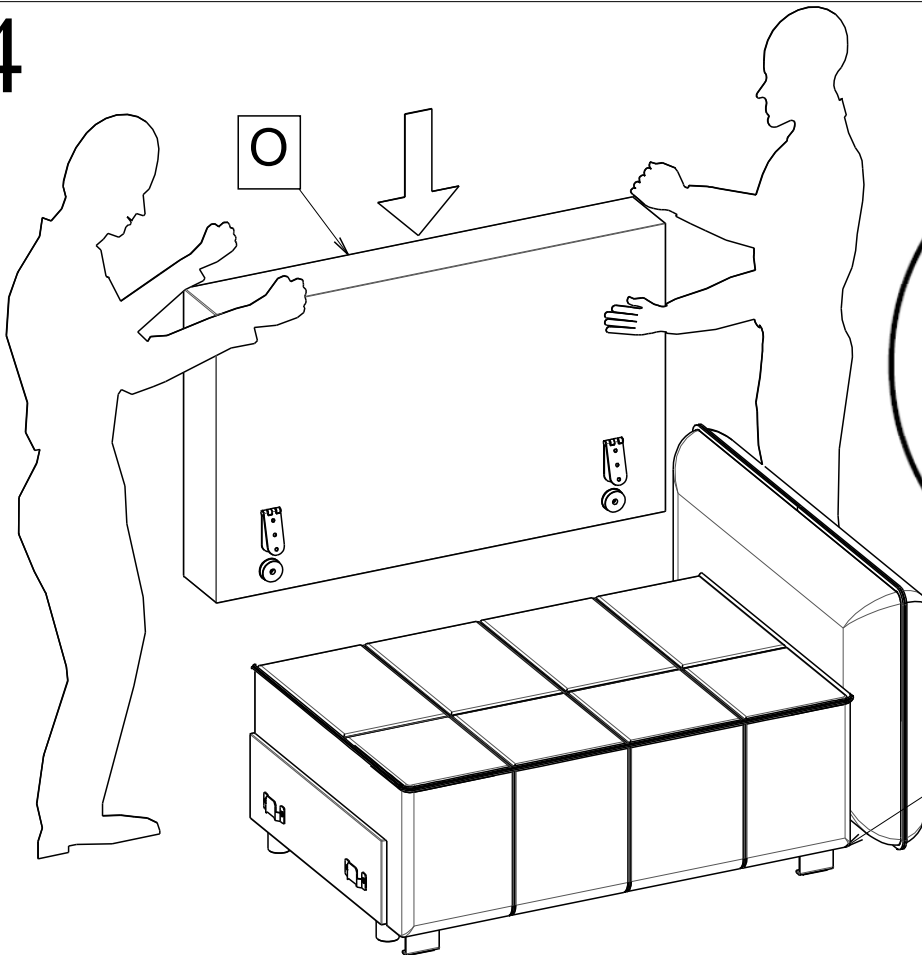
2



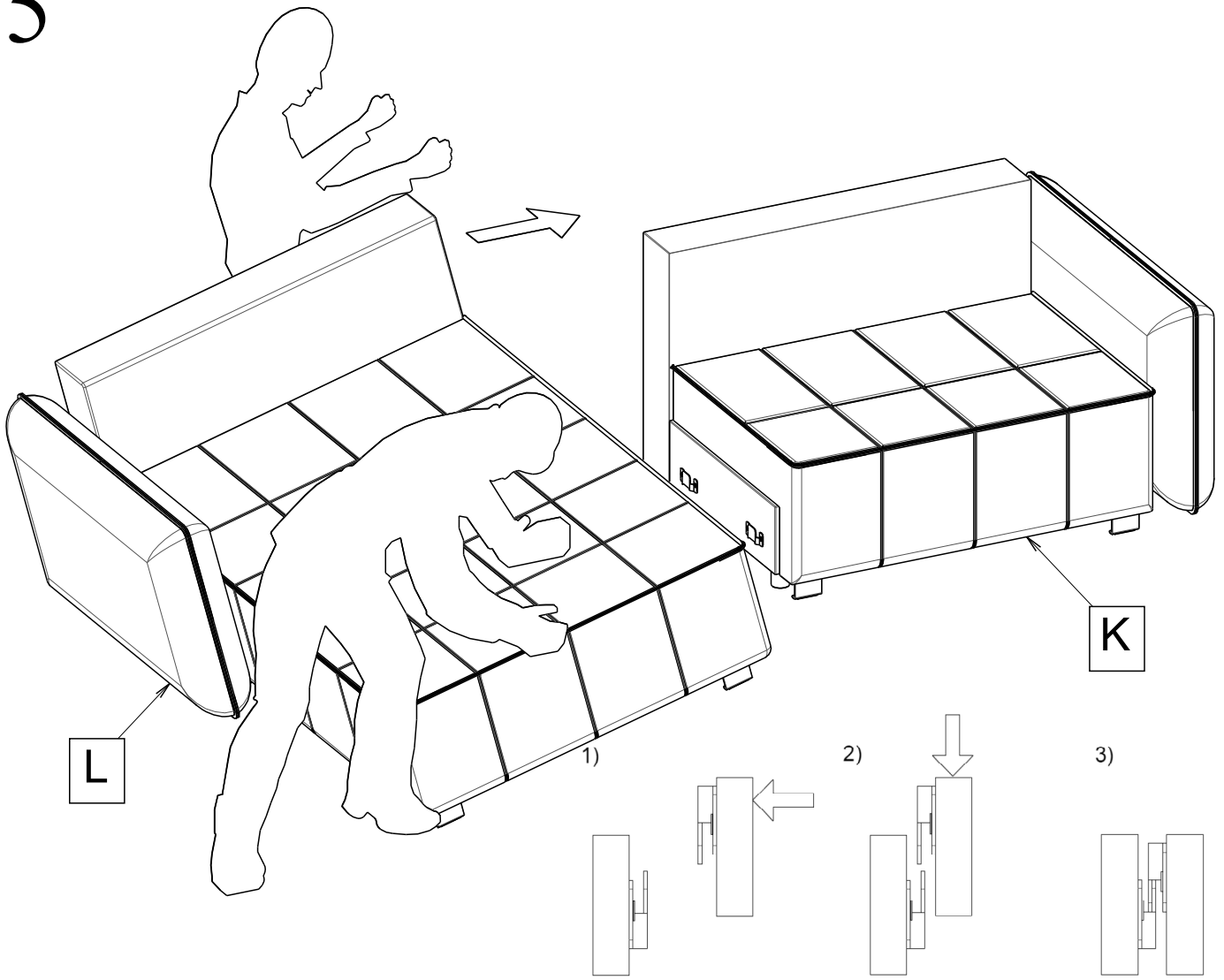
3



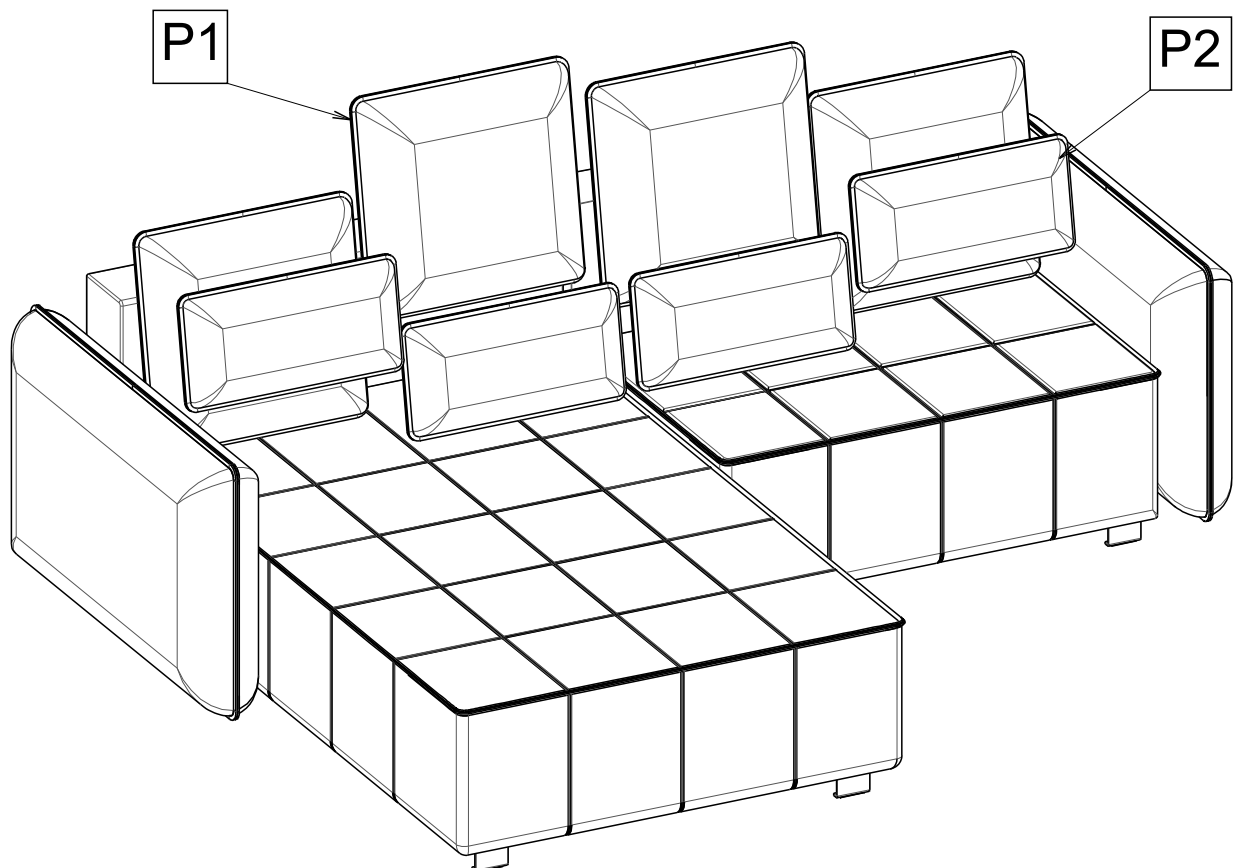
4



5

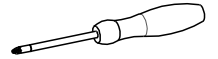
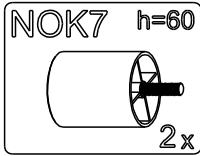
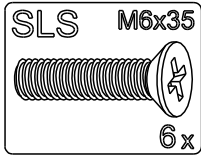
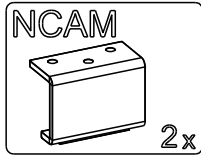


6



RIGHT

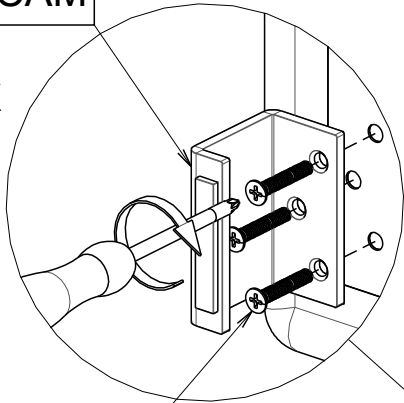
1



L

NCAM

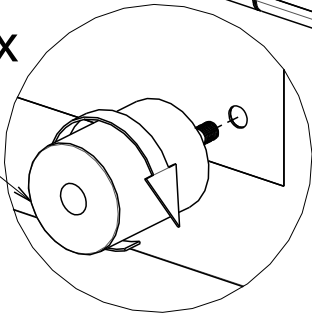
2x



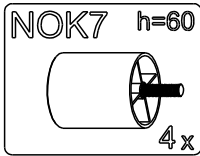
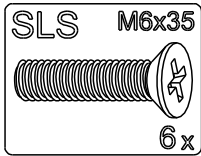
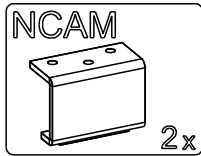
SLS

2x

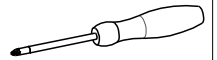
NOK7



2

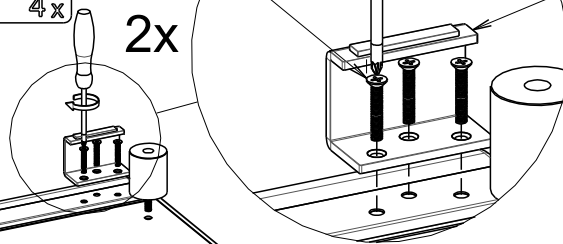


SLS



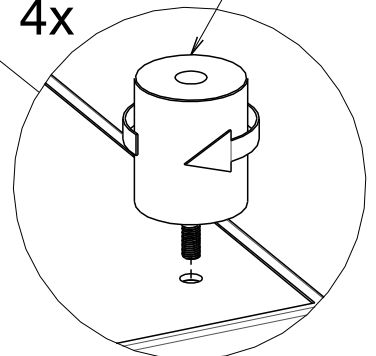
NCAM

2x



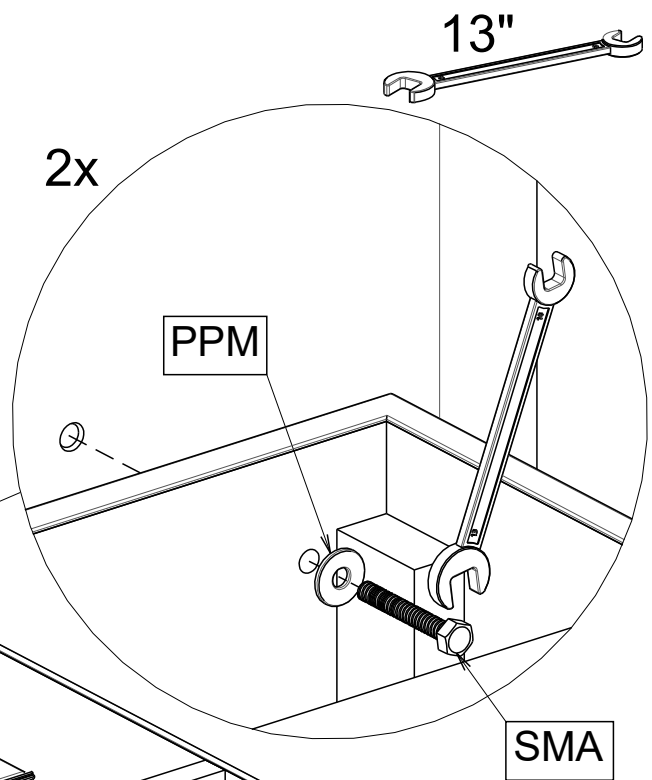
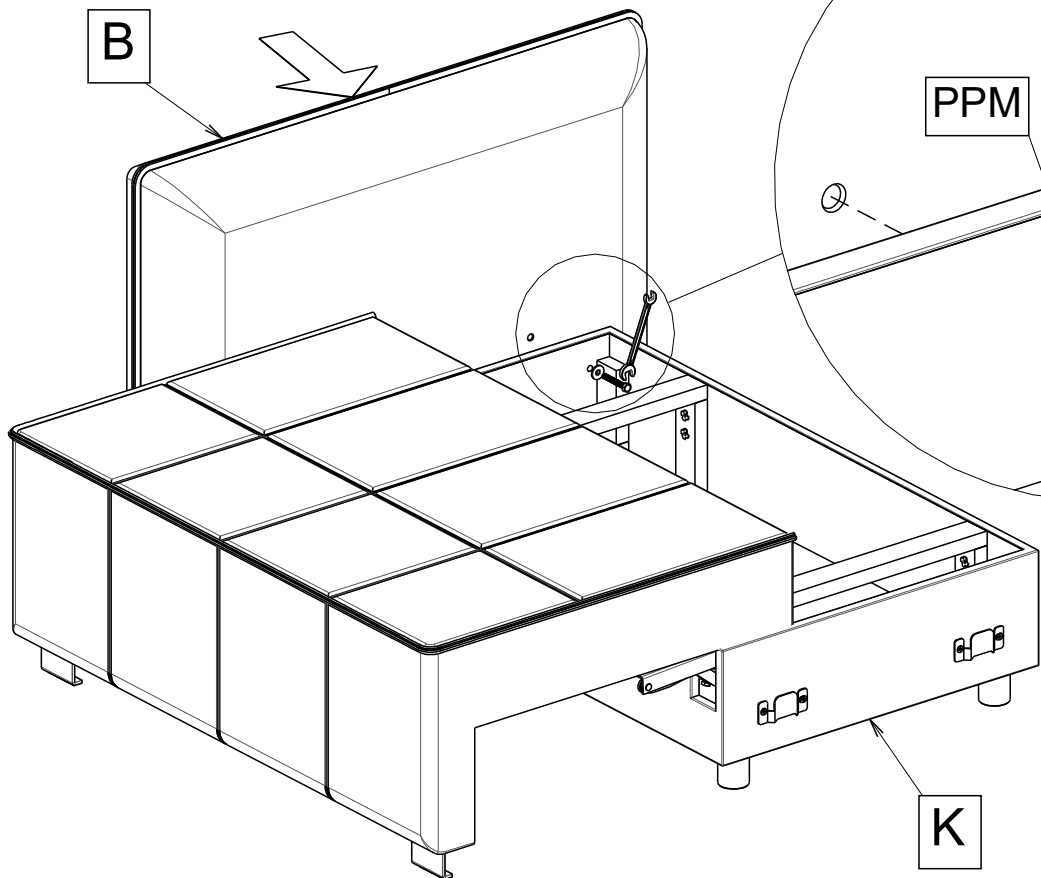
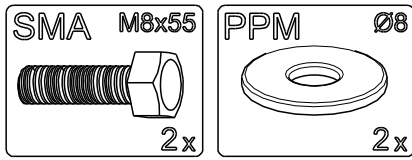
NOK7

4x

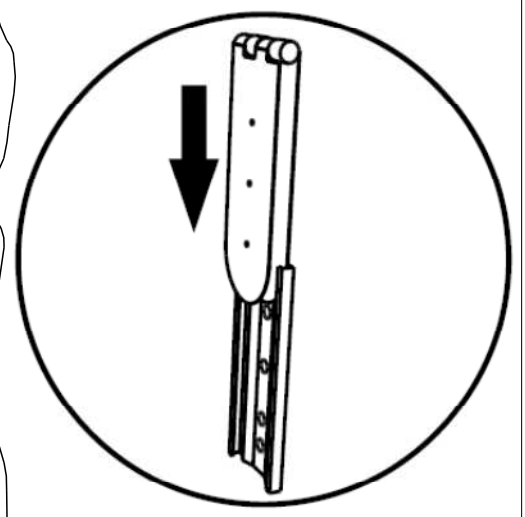
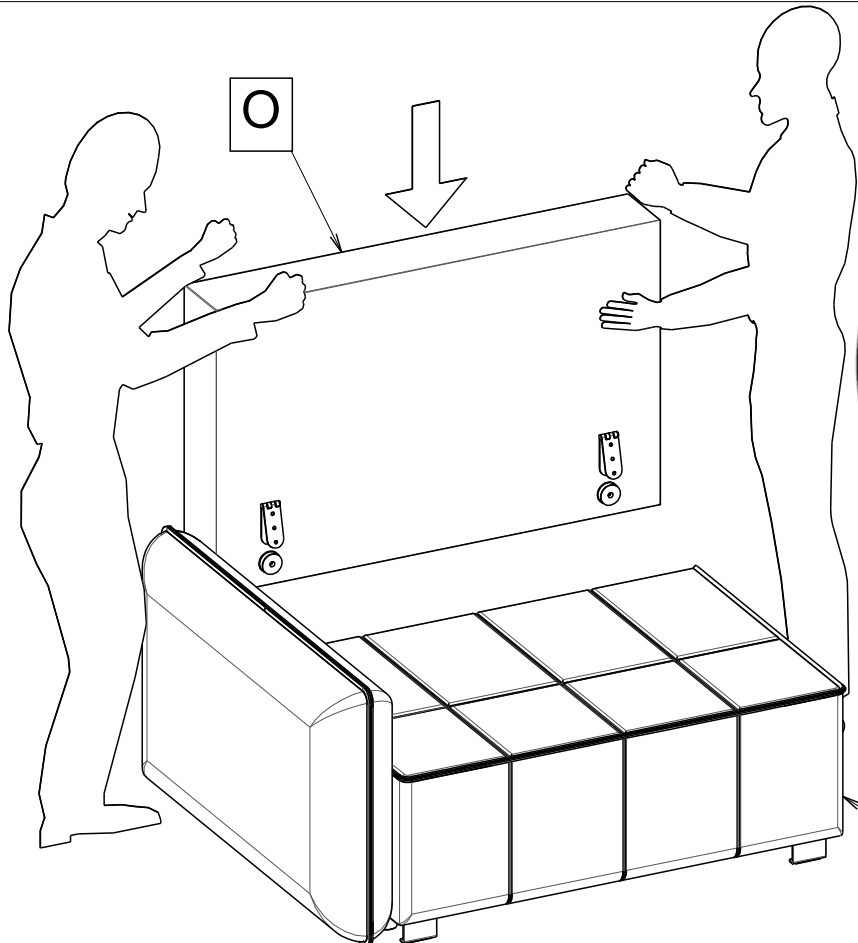


K

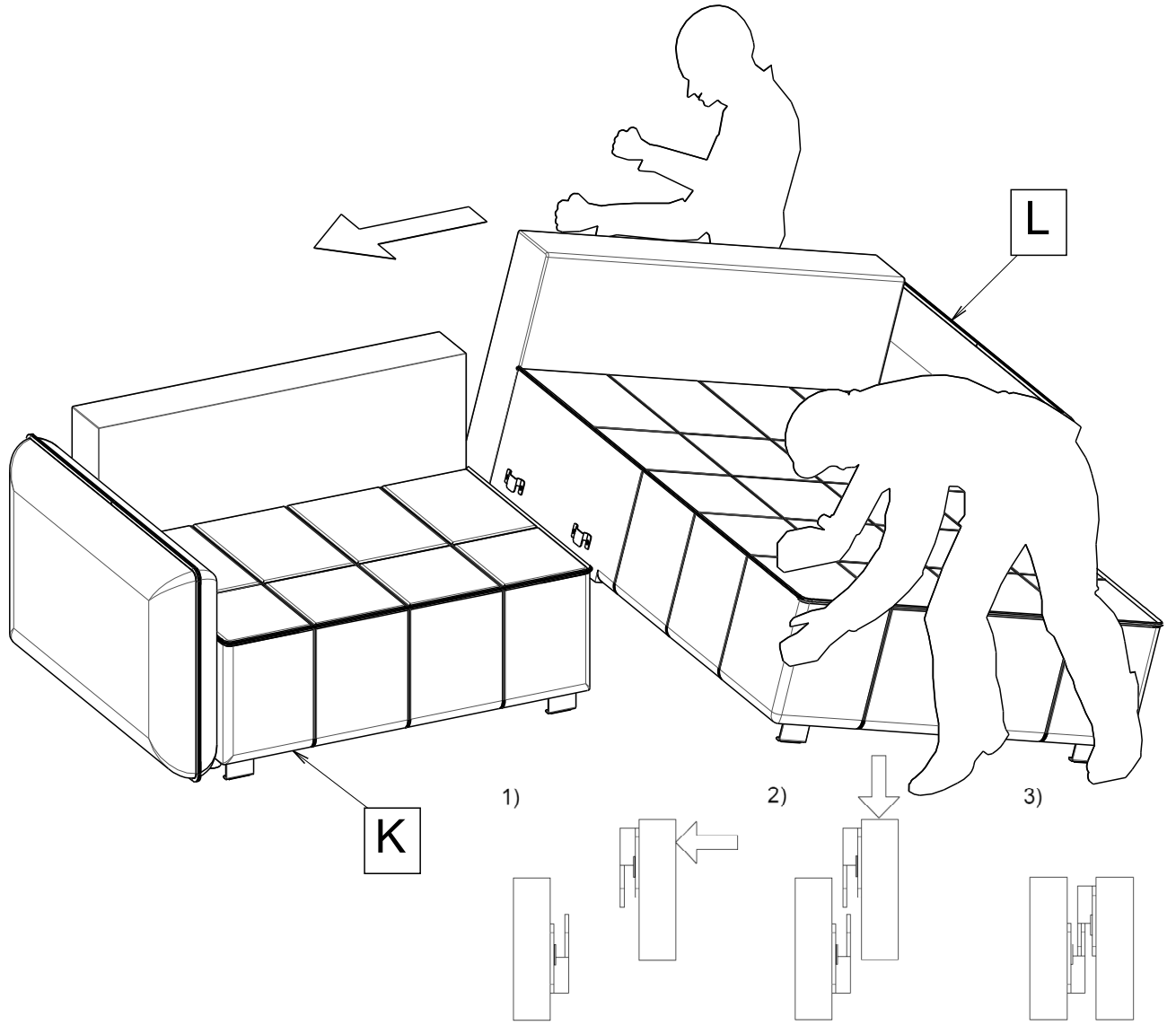
3



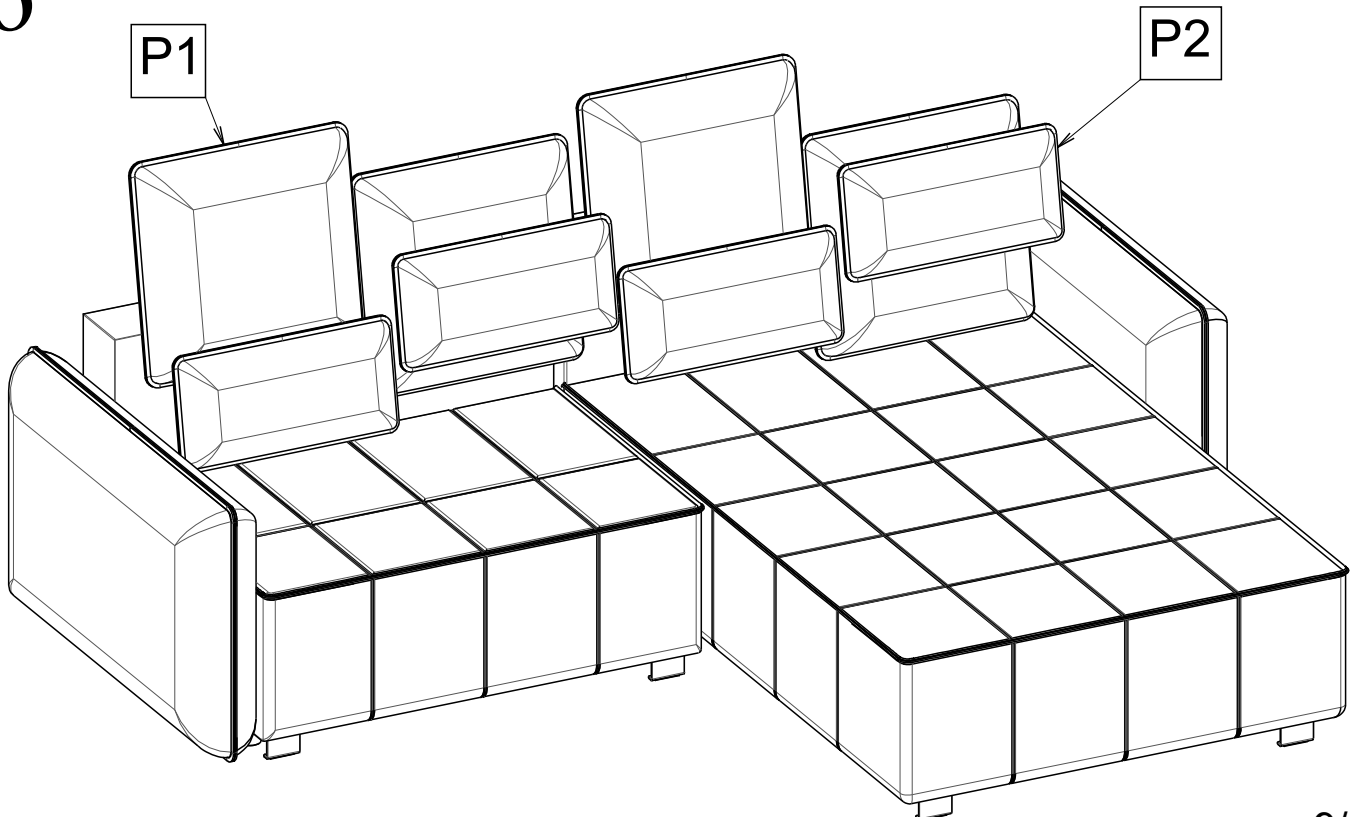
4



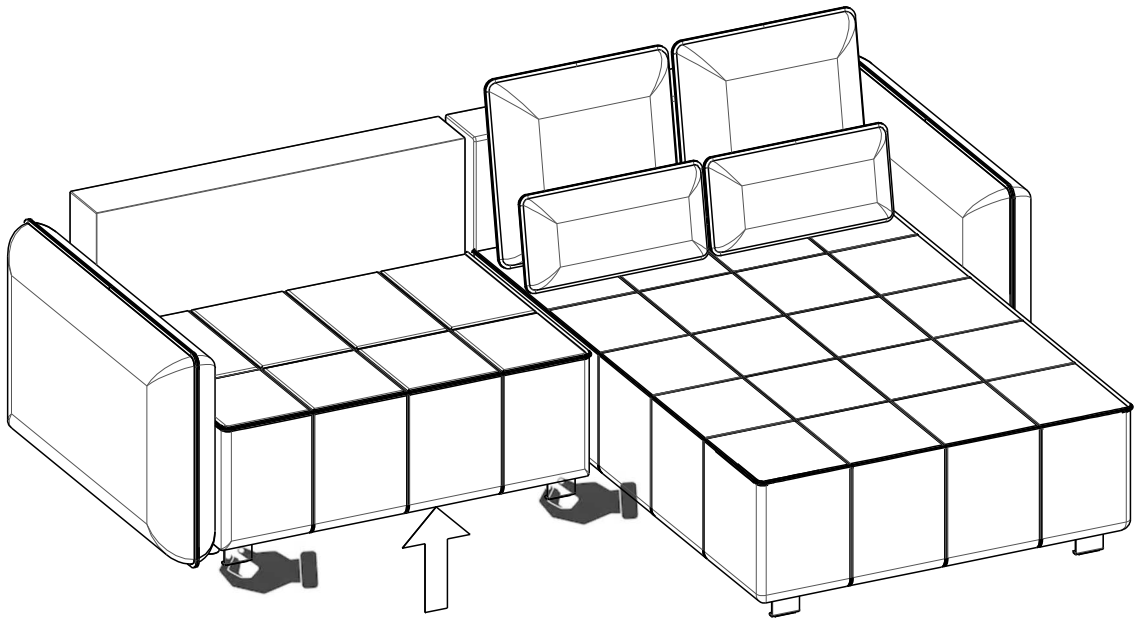
5



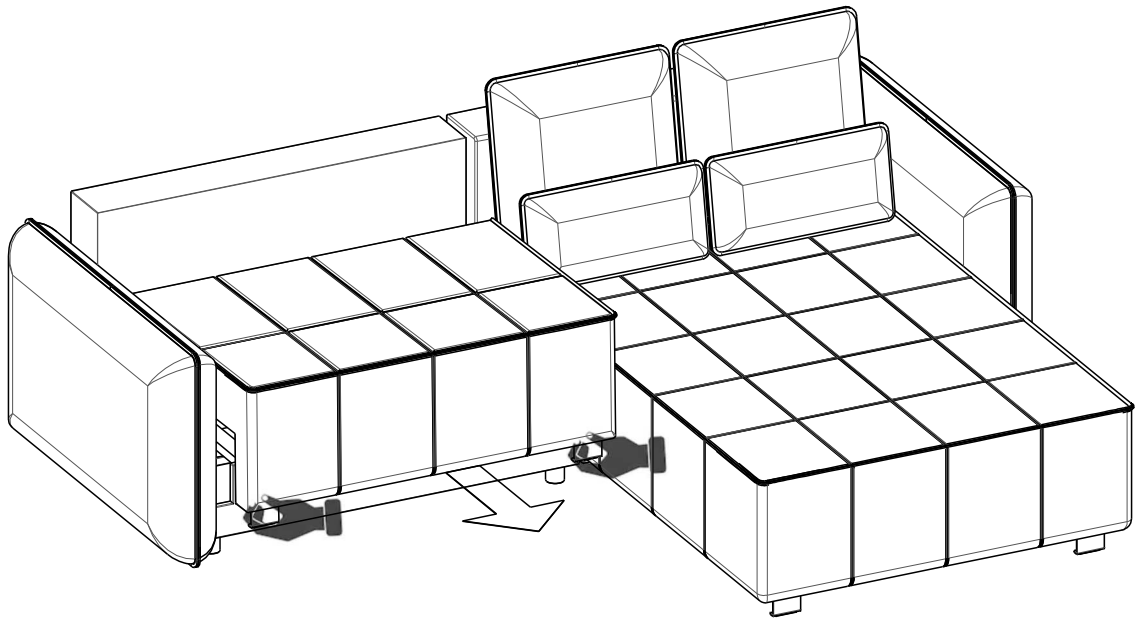
6



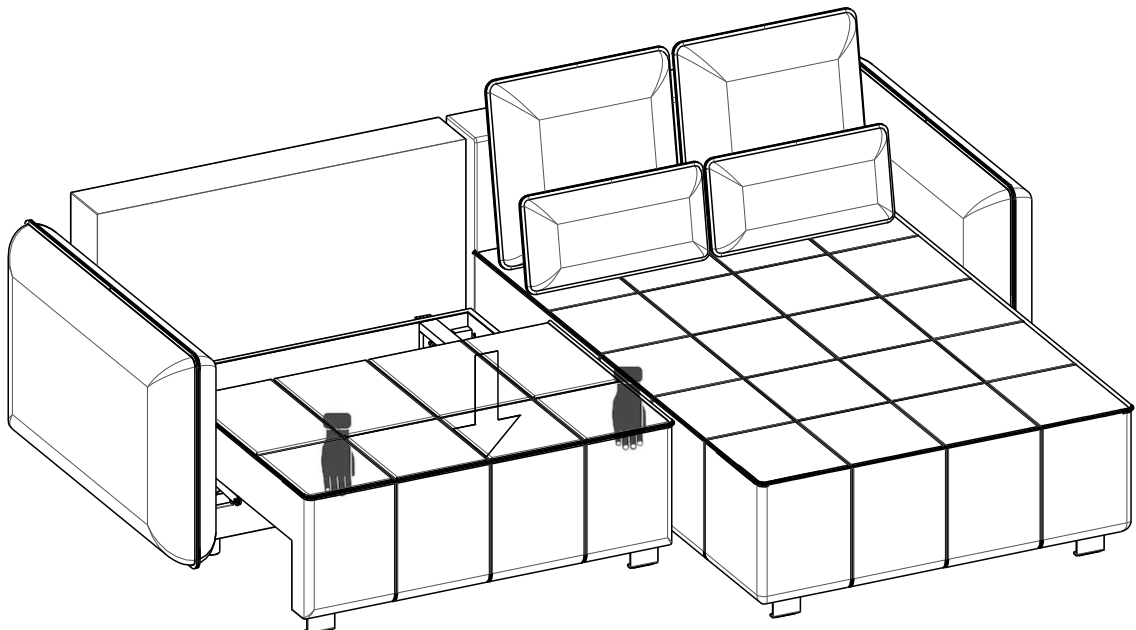
A



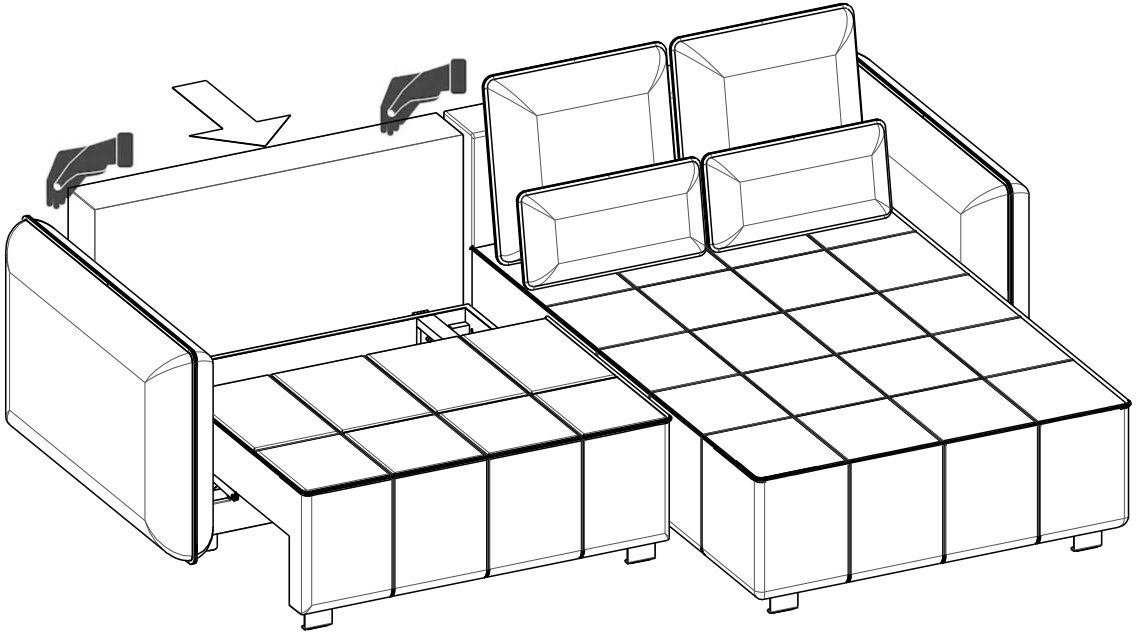
B



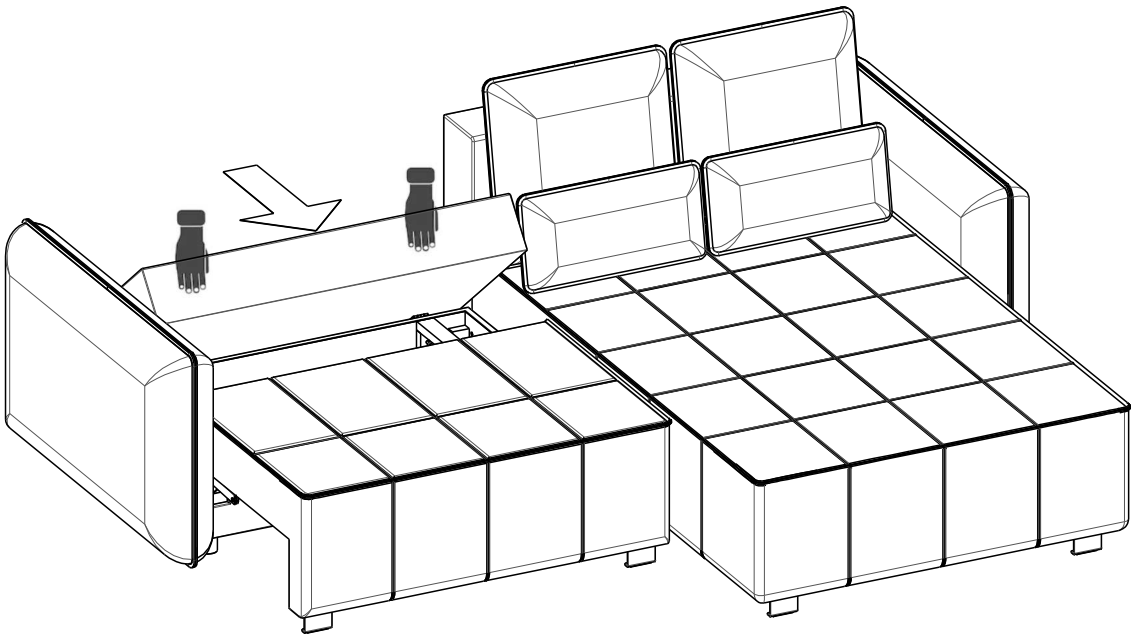
C



D



E



F

