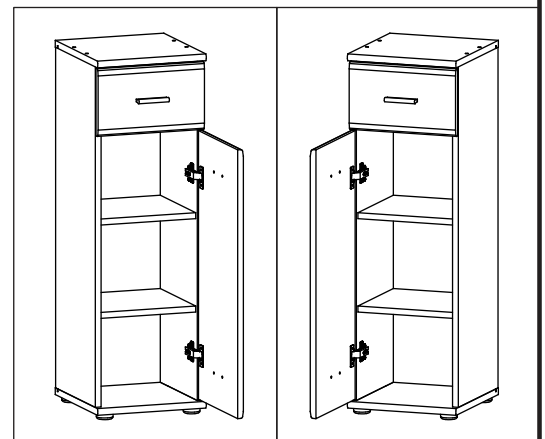
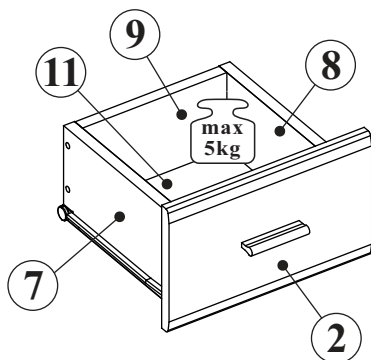
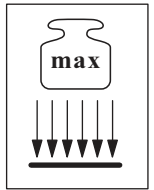
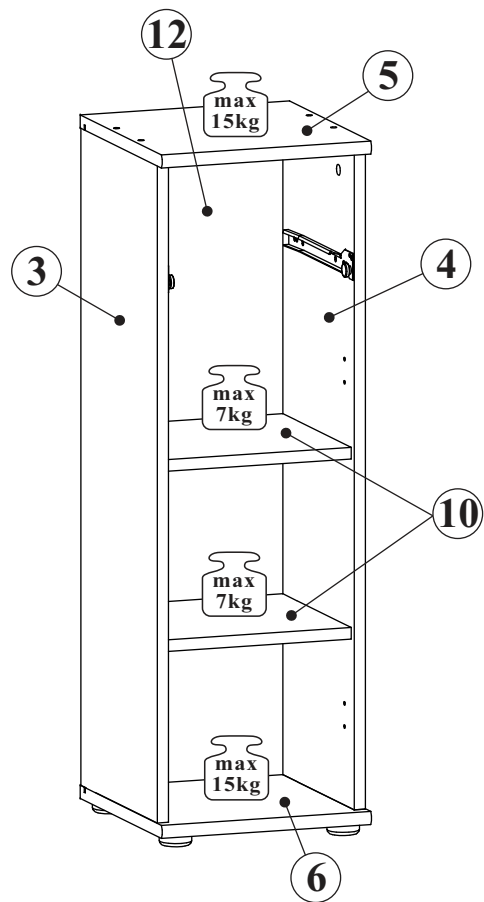
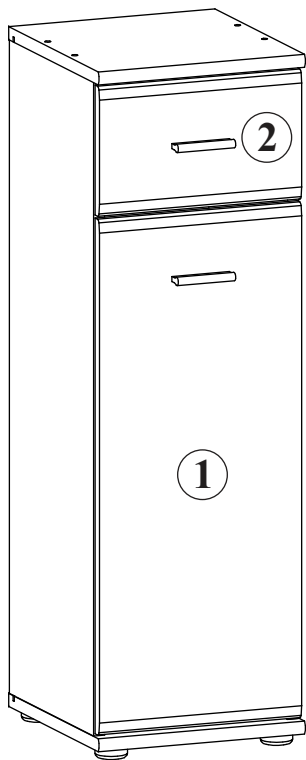
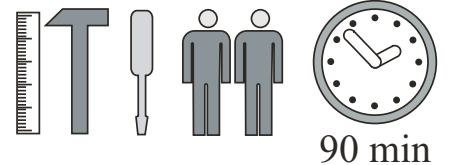


ARMARIO 1 ECO TYP B

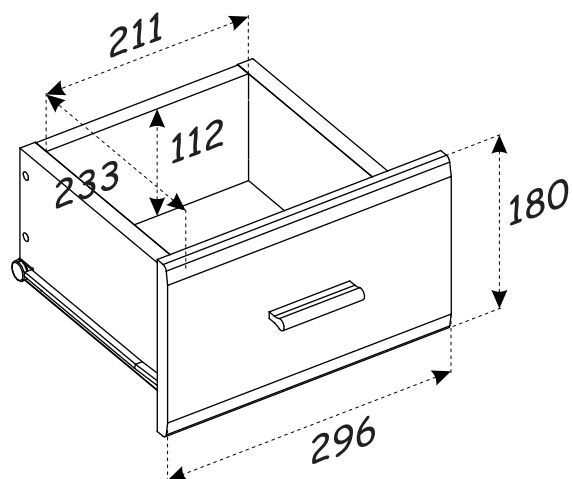
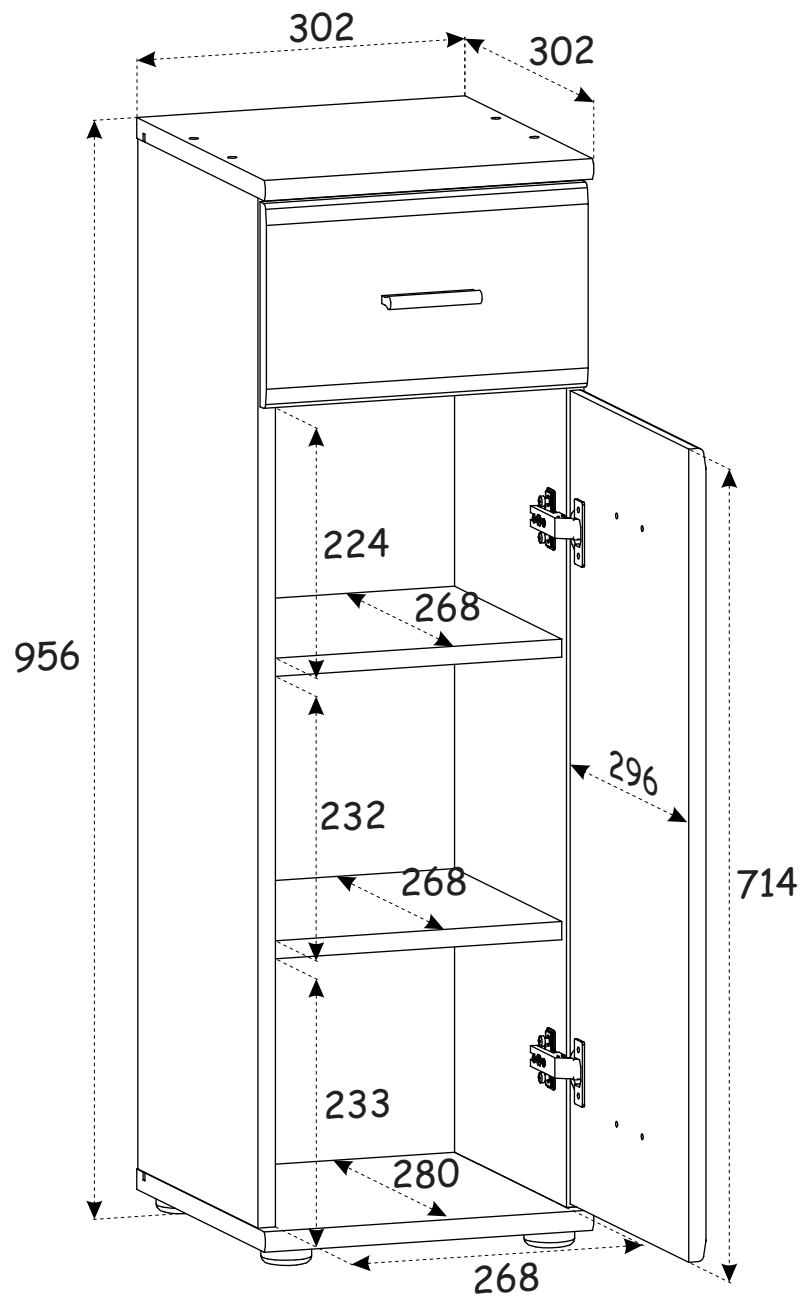


| NO | Dim. | | | Col.-No | Qty |
|----|------|-----|----|---------|-----|
| 1 | 714 | 296 | 16 | 1 | 1 |
| 2 | 296 | 180 | 16 | 1 | 1 |
| 3 | 905 | 300 | 16 | 1 | 1 |
| 4 | 905 | 300 | 16 | 1 | 1 |
| 5 | 302 | 322 | 18 | 1 | 1 |
| 6 | 302 | 322 | 18 | 1 | 1 |
| 7 | 250 | 132 | 16 | 1 | 1 |
| 8 | 250 | 132 | 16 | 1 | 1 |
| 9 | 211 | 112 | 16 | 1 | 1 |
| 10 | 268 | 268 | 16 | 1 | 2 |
| 11 | 223 | 253 | 3 | 1 | 1 |
| 12 | 916 | 279 | 3 | 1 | 1 |



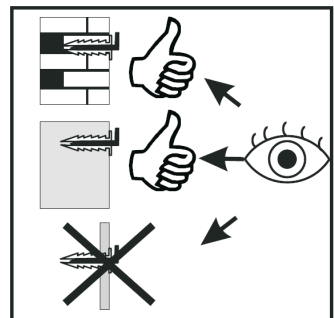
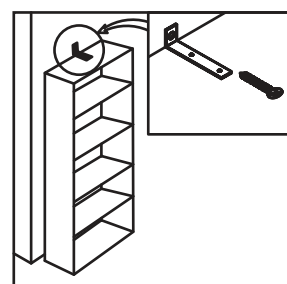
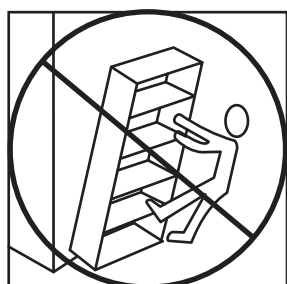
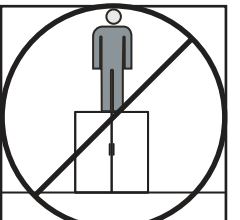
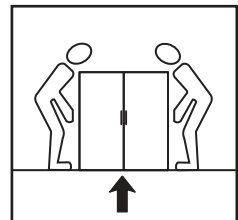
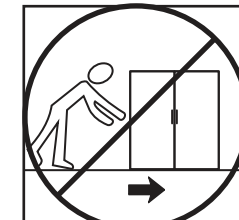
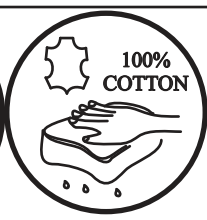
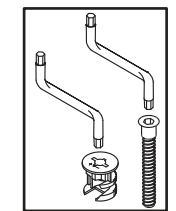
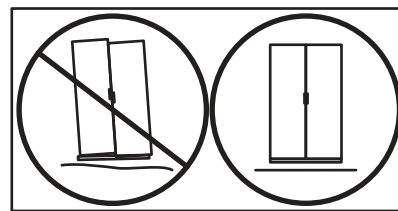
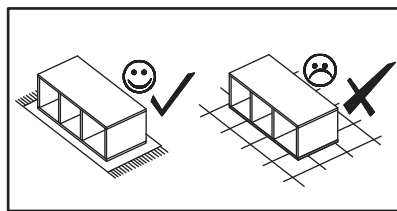
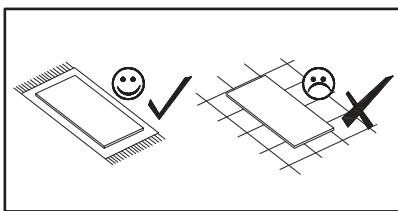
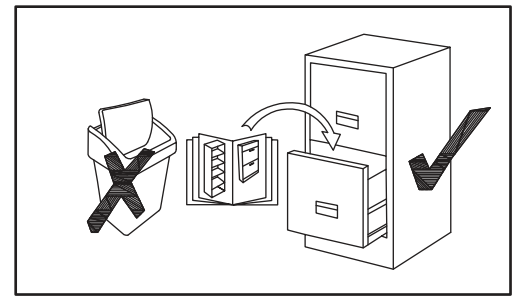
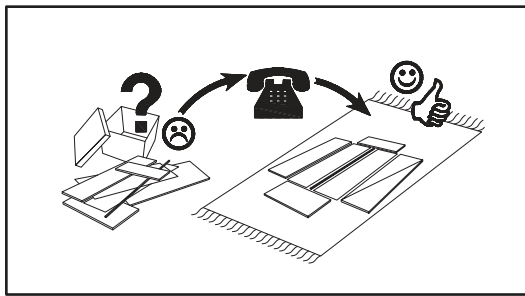
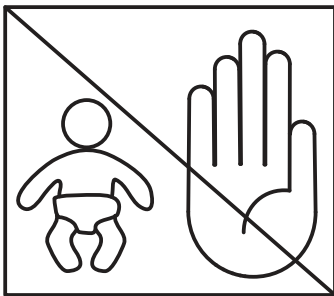
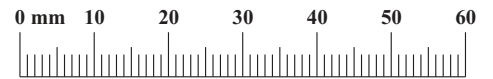
90 min

ARMARIO 1 ECO TYP B



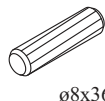

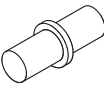
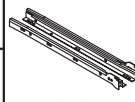

ARMARIO 1 ECO TYP B

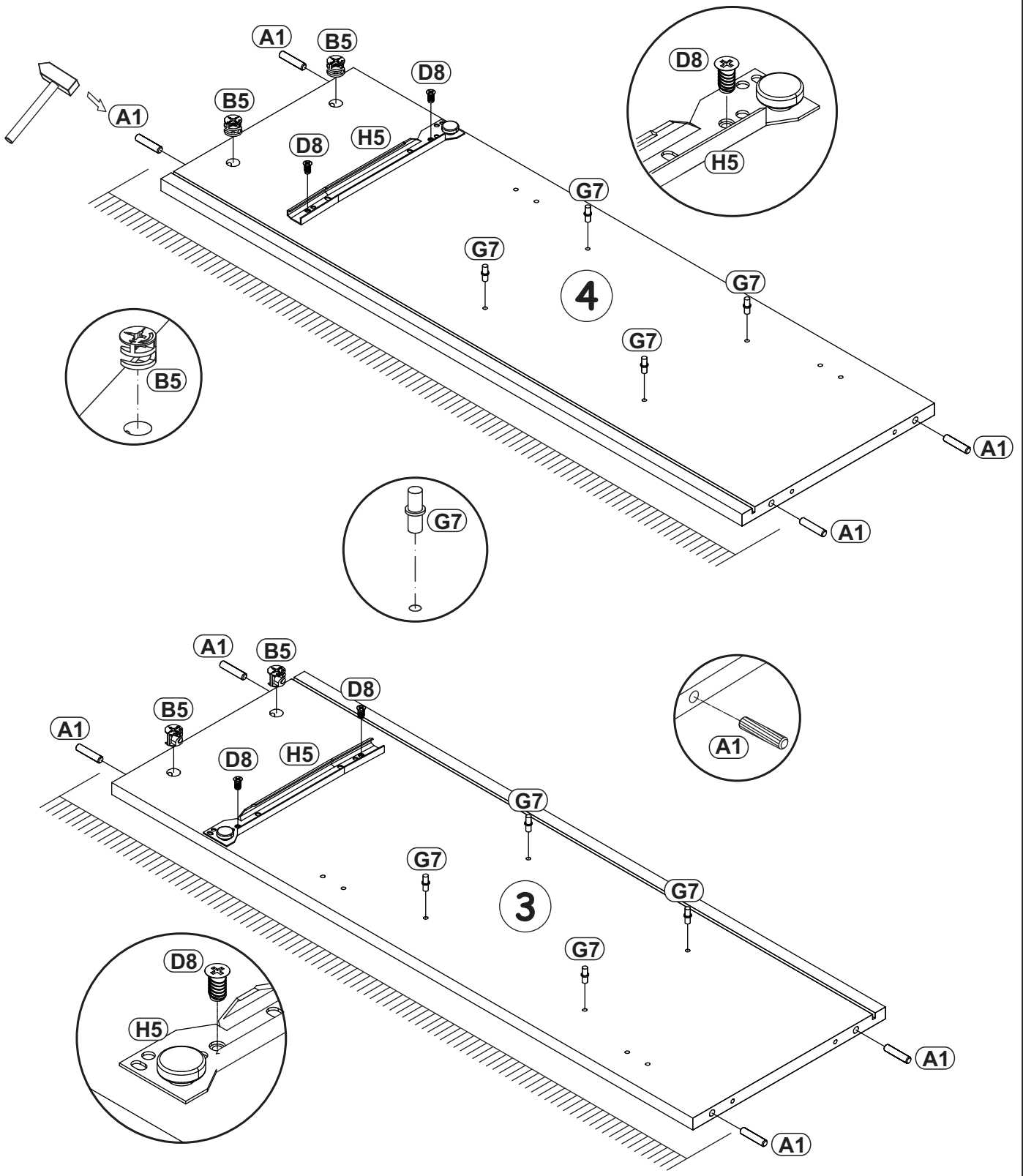
| | | | | | |
|------------------------|---------------------|-------------------------|--------------------|-----------------------|----------------|
| A1 x12 ø8x36 | B4 x6 | B5 x6 ø15x12 | G5 x6 | B11 x8 ø7x50 | G4 x8 |
| E1 x2 Ø26 H=0 | E2 x2 H=0 | D10 x10 USØ3,5x13 | KL x2 L-64mm | UP6 x4 UPØ4x30 | Z2 x2 Ø5 |
| H5 x1 L-250mm | D8 x4 ESØ5x13 | | I11 x4 | UP11 x4 UPØ4x20 | G7 x8 |
| S1 x9 | G2 x1 | L1 x1 | KR1 x1 Ø8 | UP13 x3 UPØ3x16 | |



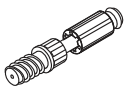
ARMARIO 1 ECO TYP B

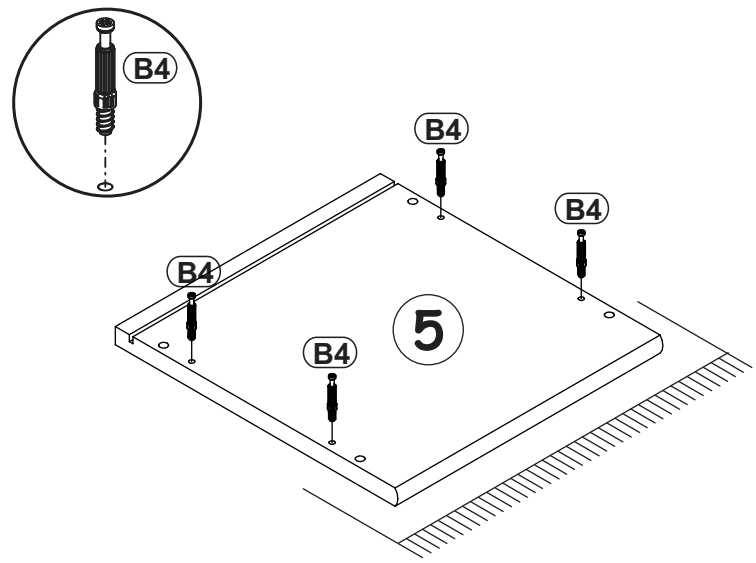
1

| | | | | | |
|----|---|----|---|----|---|
| A1 |  | B5 |  | G7 |  |
| x8 | ø8x36 | x4 | ø15x12 | x8 | |
| H5 |  | D8 |  | | |
| x1 | L-250mm | x4 | ESØ5x13 | | |

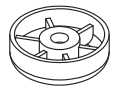



2

| | |
|----|---|
| B4 |  |
| x4 | |

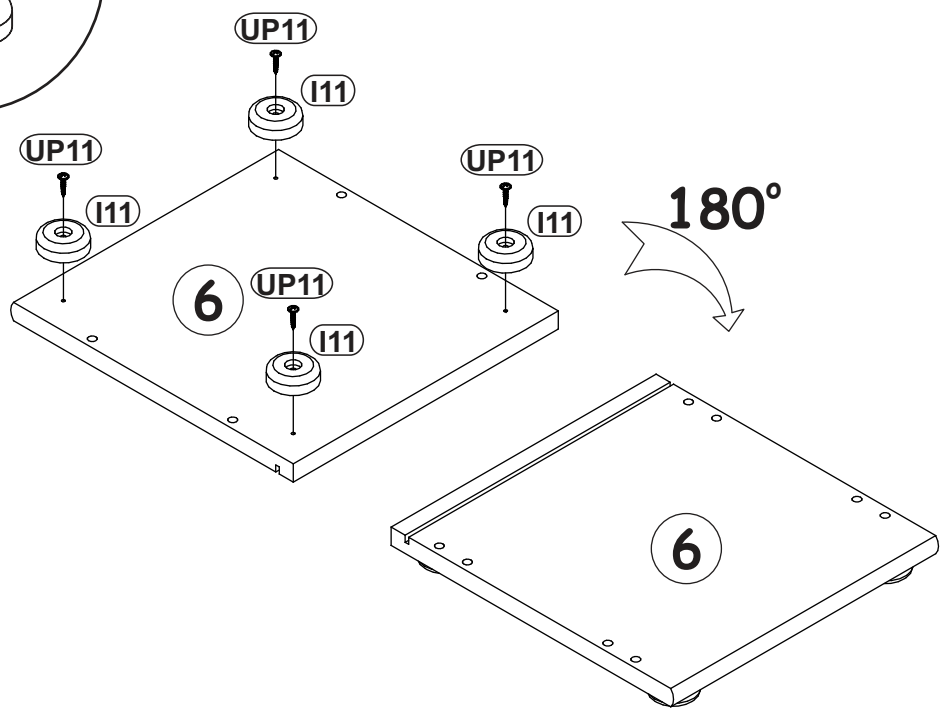
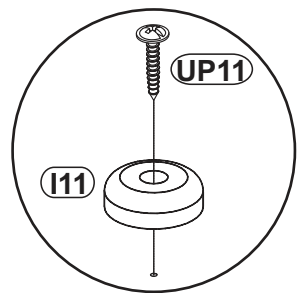


3

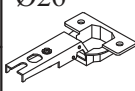
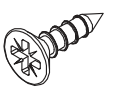
| | |
|-----|--|
| I11 |  |
| x4 | |

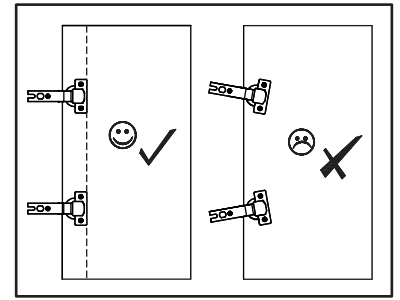
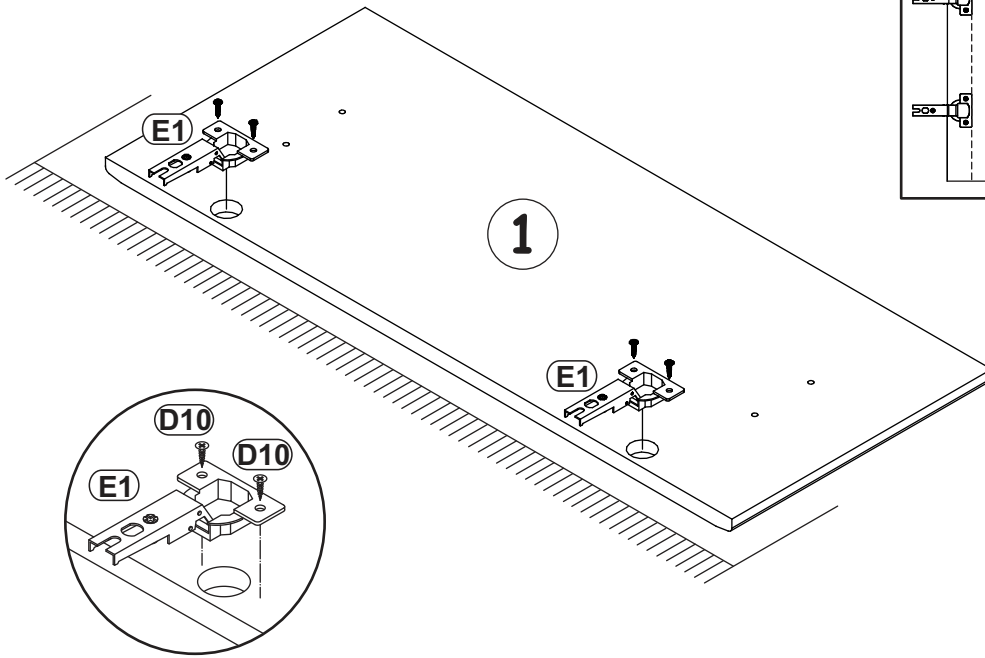
| | |
|------|--|
| UP11 |  |
| x4 | |

UPØ4x20

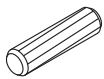
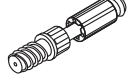
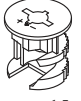


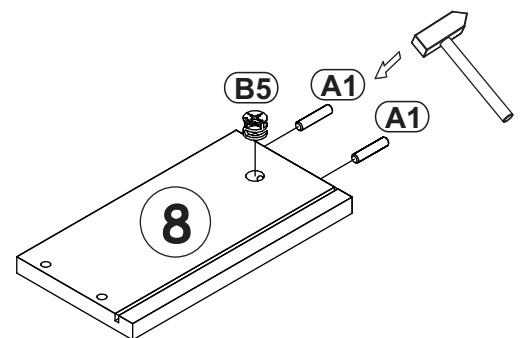
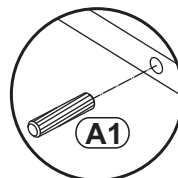
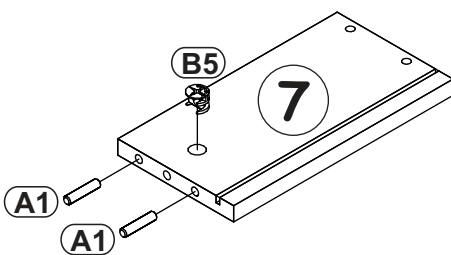
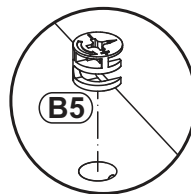
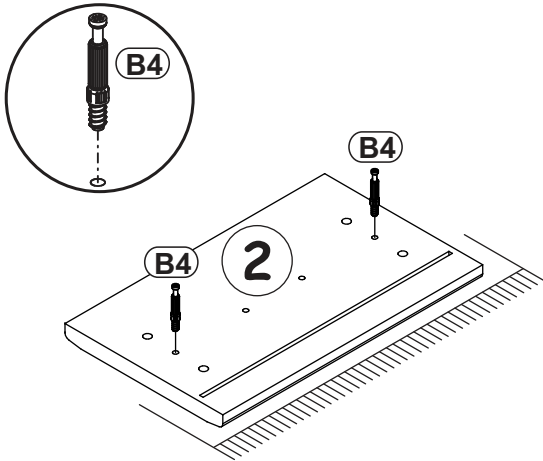
4

| | | | |
|----|--|-----|--|
| E1 | Ø26 | D10 | |
| x2 |  H=0 | x4 |  USØ3,5x13 |





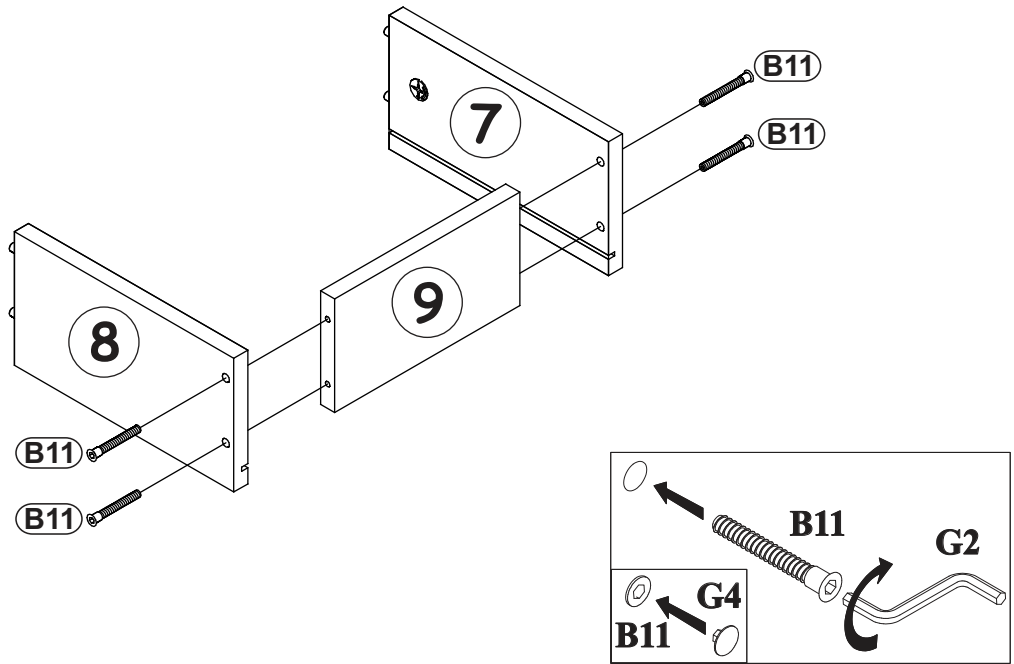
5

| | | | |
|----|---|----|---|
| A1 | B4 | B5 | |
| x4 |  ø8x36 | x2 |  |
| | | x2 |  ø15x12 |




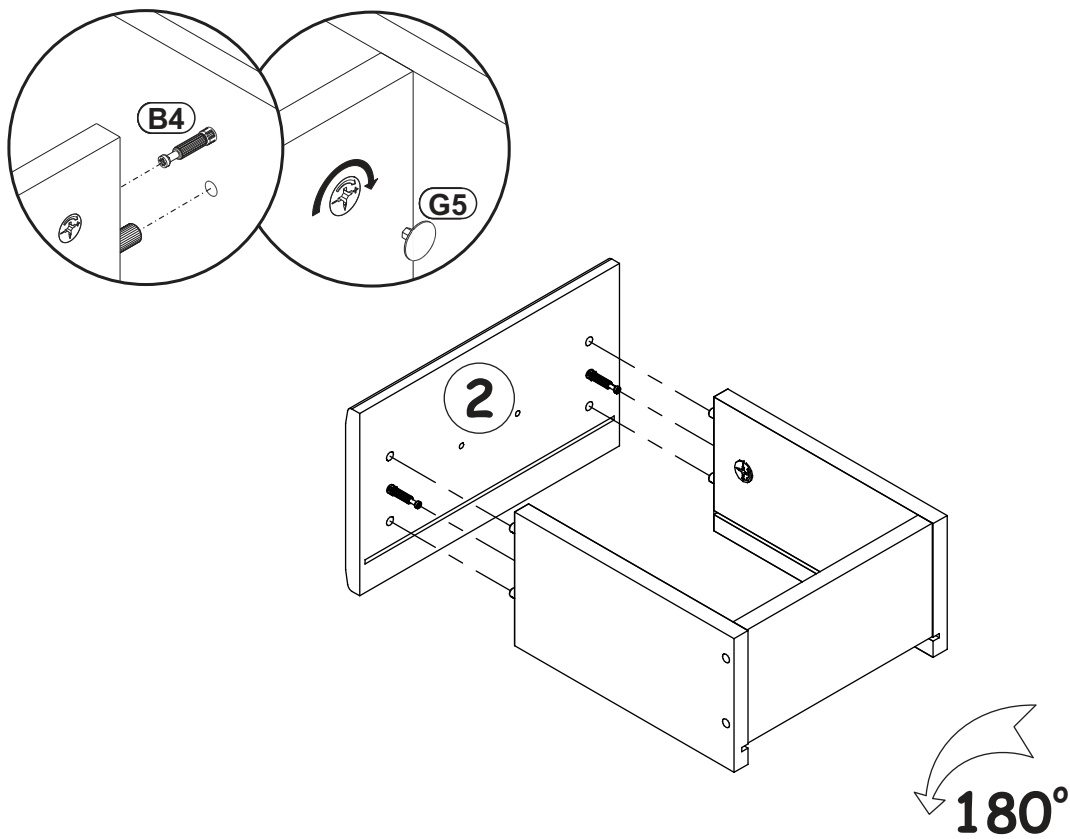
6

| | | | |
|-----|---|----|---|
| B11 |  | G4 |  |
| x4 | Ø7x50 | x4 | |

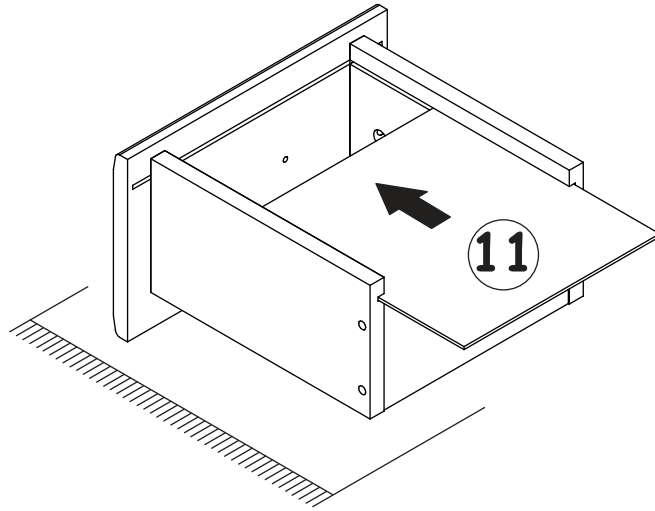


7

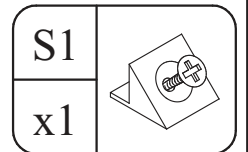
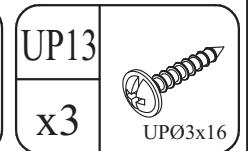
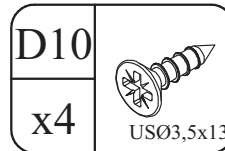
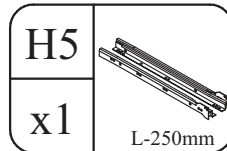
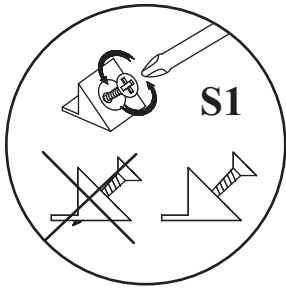
| | |
|----|---|
| G5 |  |
| x2 | |



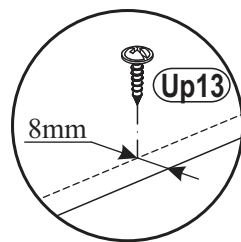
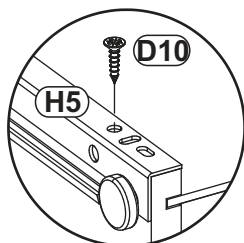
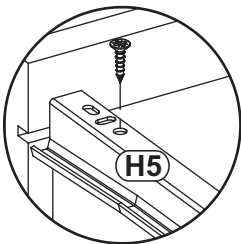
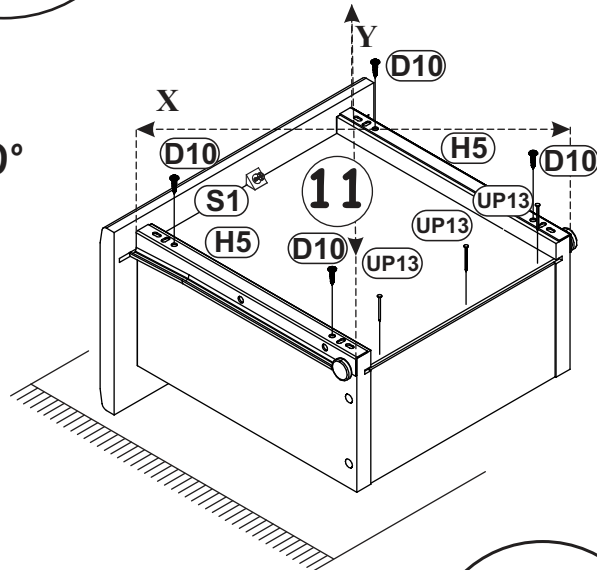
8




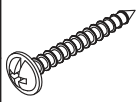
9

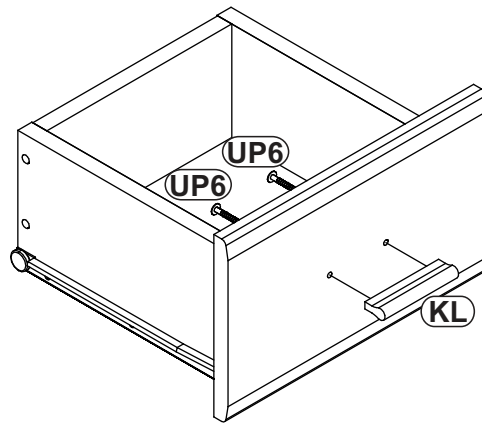


X=Y \uparrow 90°





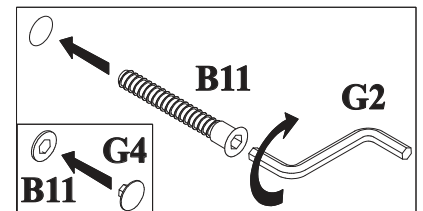
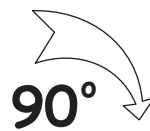
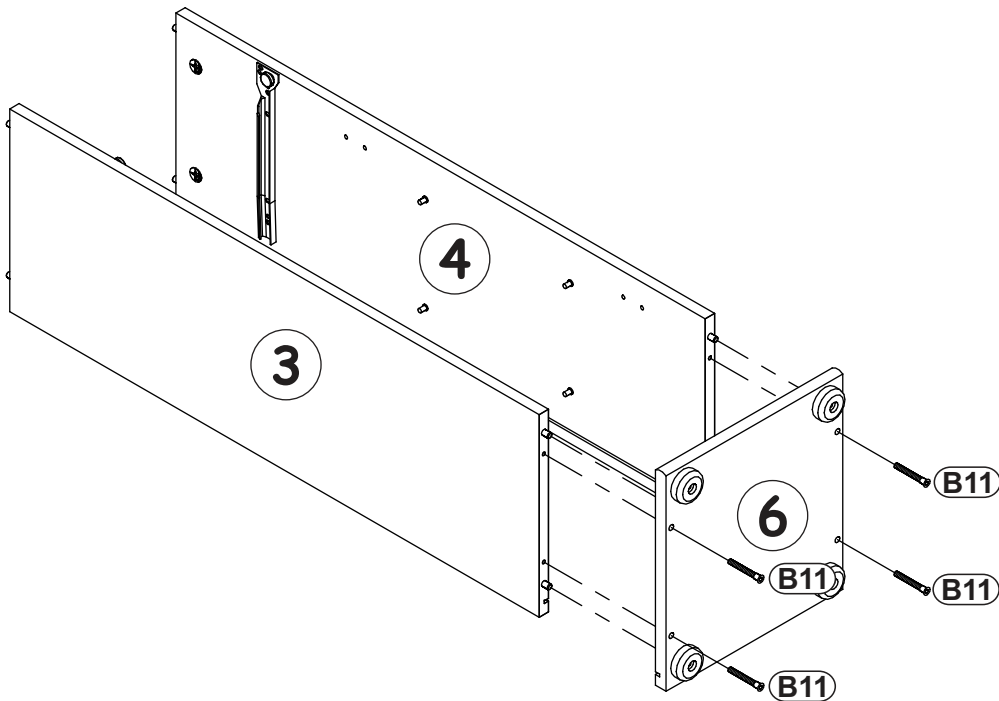
10

| | | | |
|----|---|-----|--|
| KL |  | UP6 |  |
| x1 | L-64mm | x2 | UPØ4x30 |

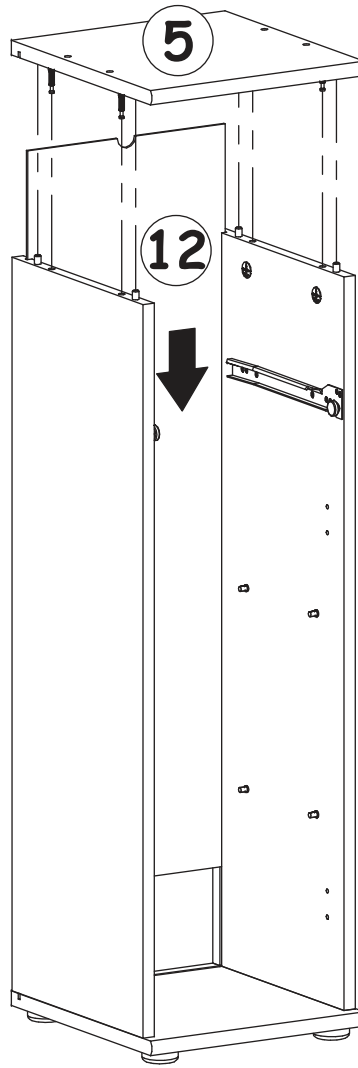


11

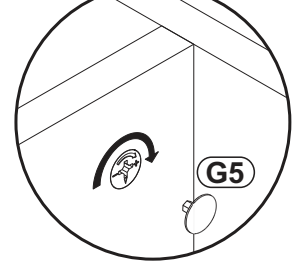
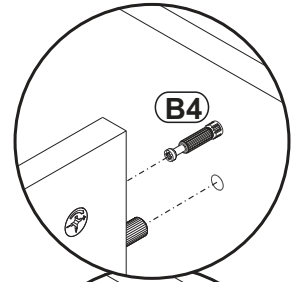
| | | | |
|-----|--|----|---|
| B11 |  | G4 |  |
| x4 | Ø7x50 | x4 | |



12



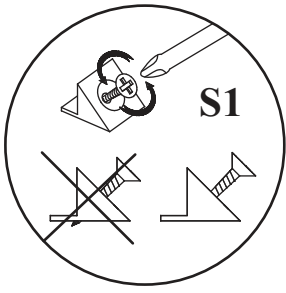
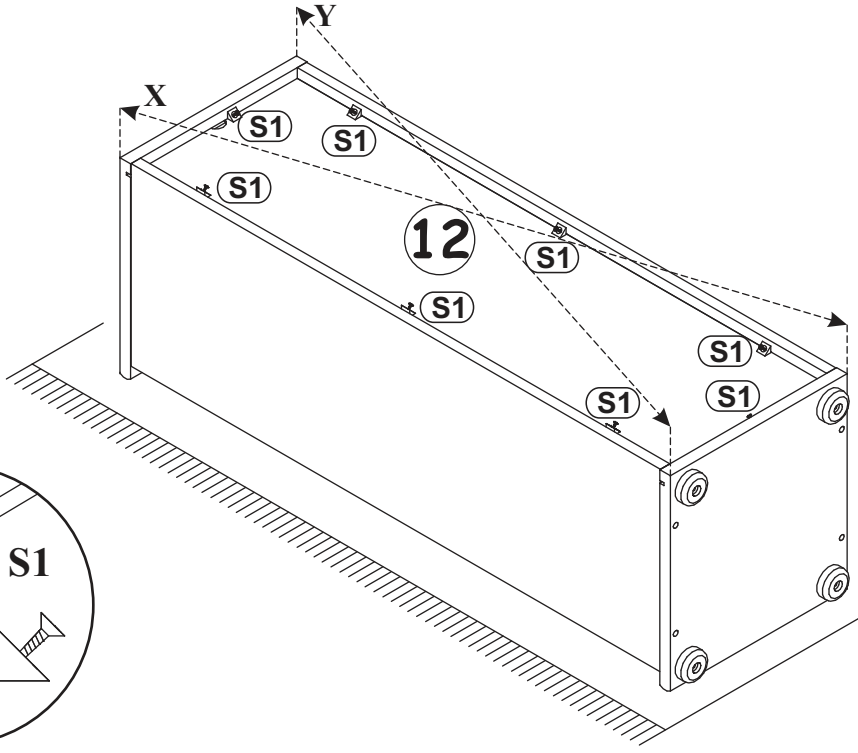
| | |
|----|--|
| G5 | |
| x4 | |



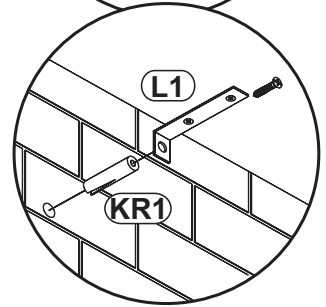
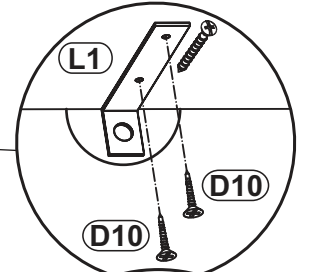
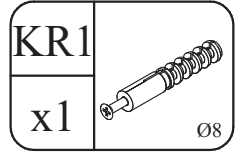
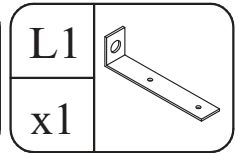
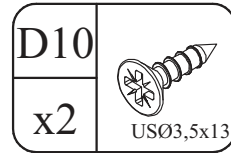
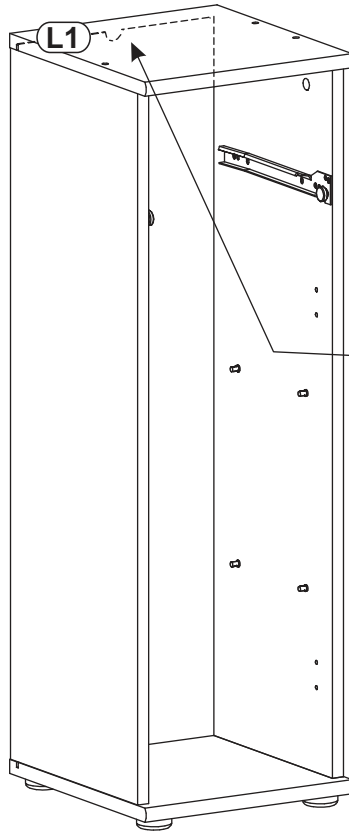
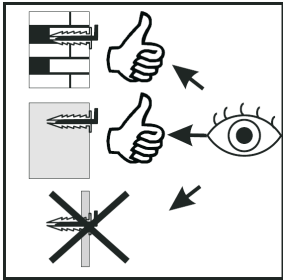
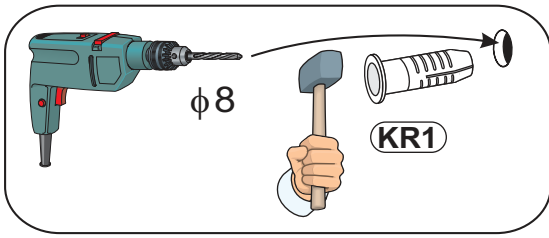
13

$X=Y$ \uparrow 90°

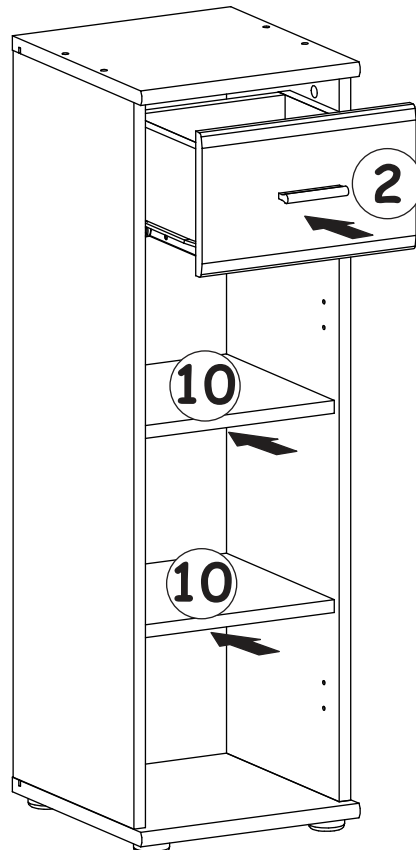
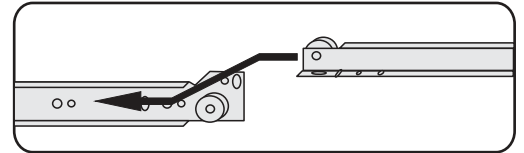
| | |
|----|--|
| S1 | |
| x8 | |



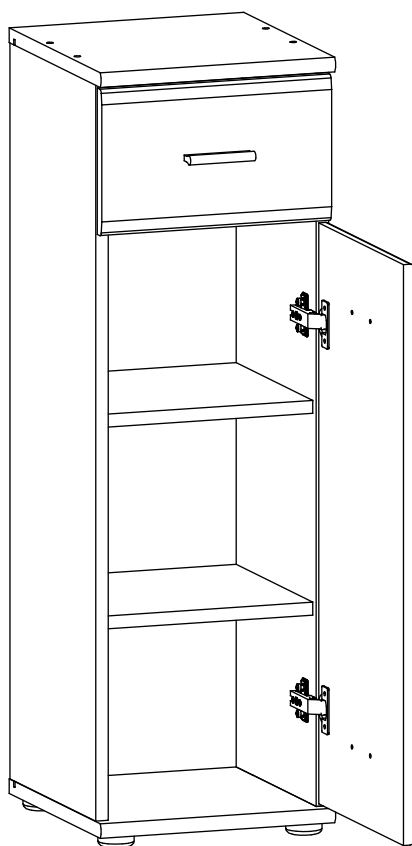
14



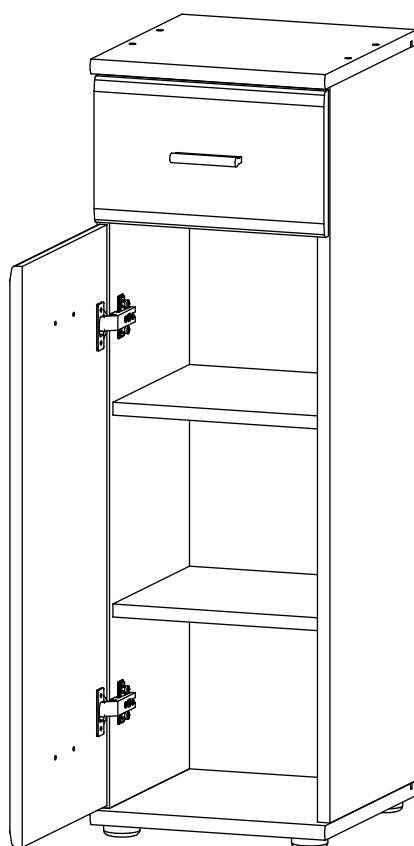
15



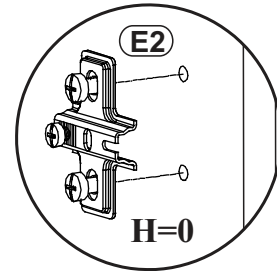
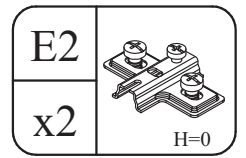
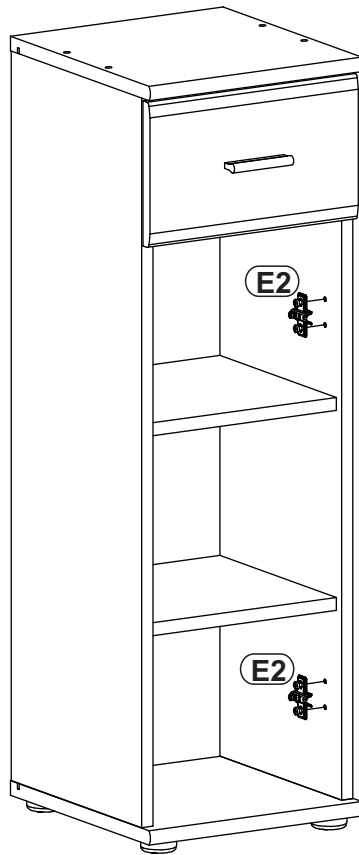
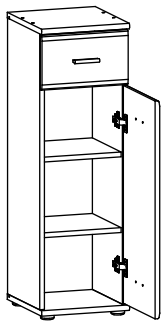
16-19



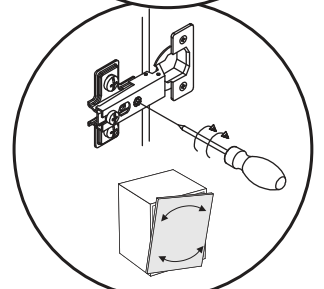
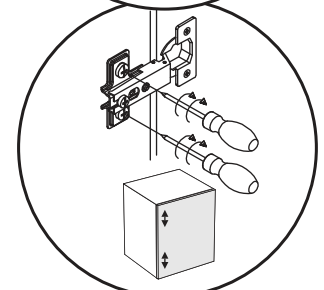
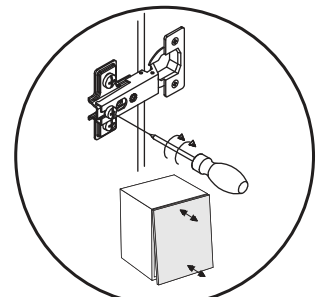
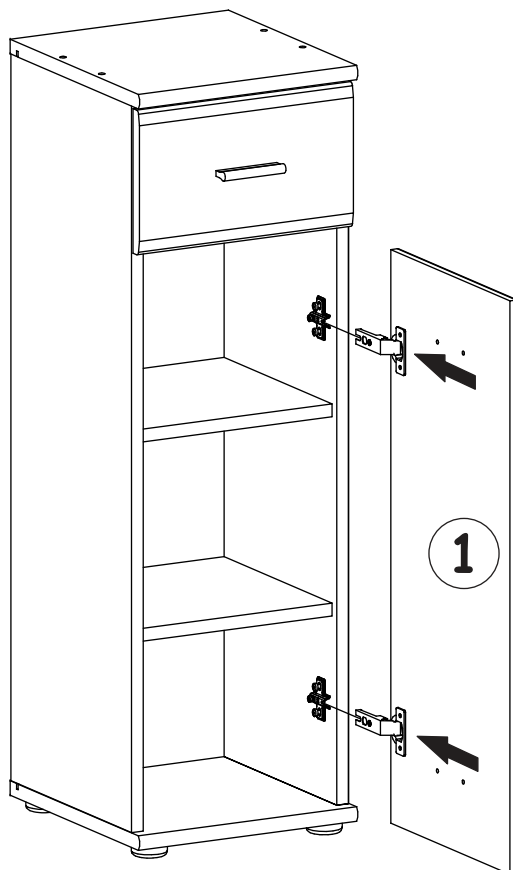
20-23



16

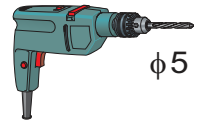
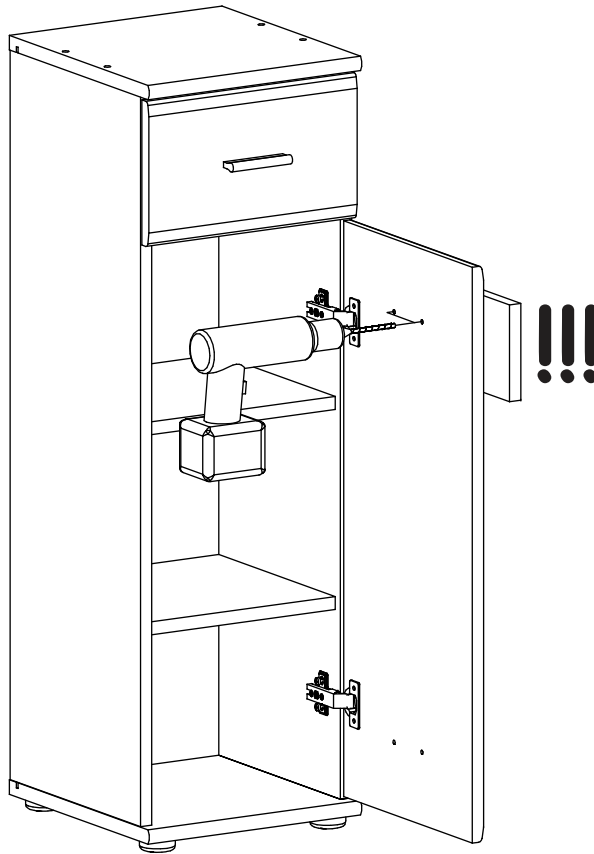
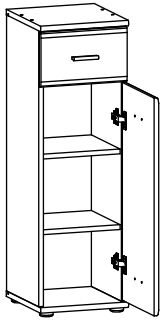


17

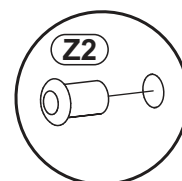
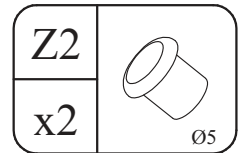
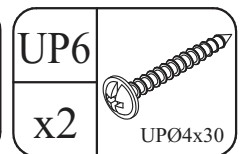
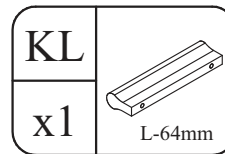
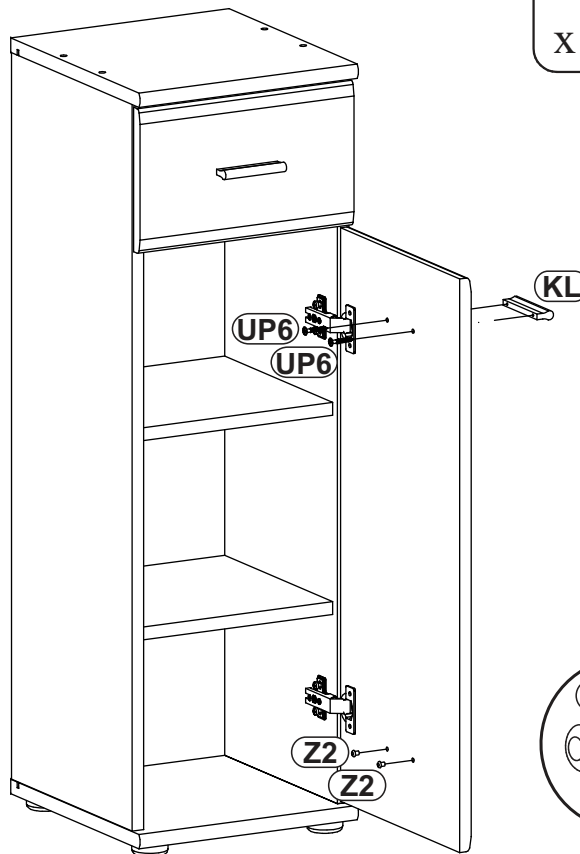


ARMARIO 1 ECO TYP B

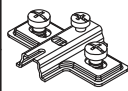
18

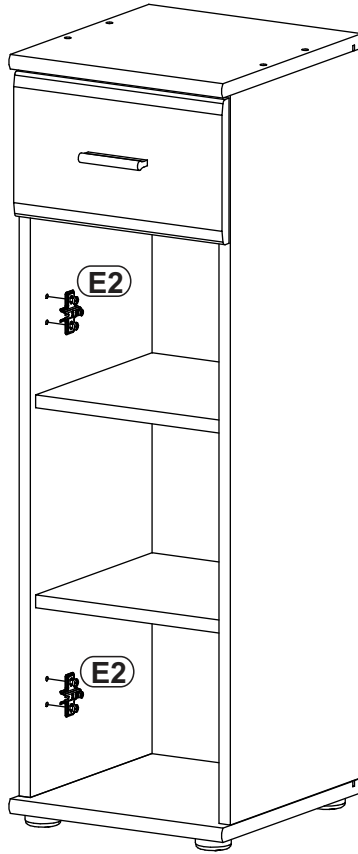
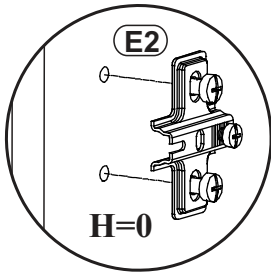
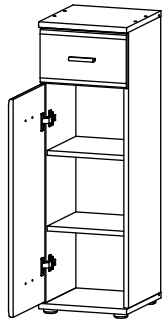


19

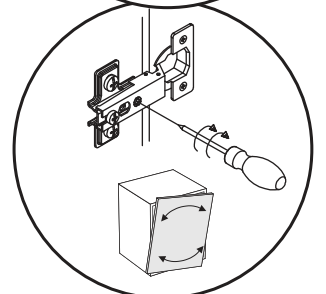
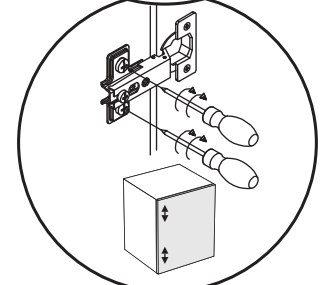
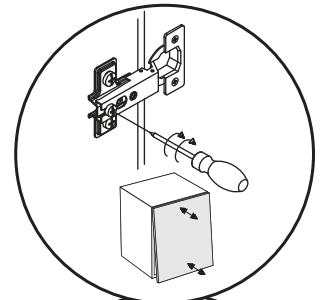
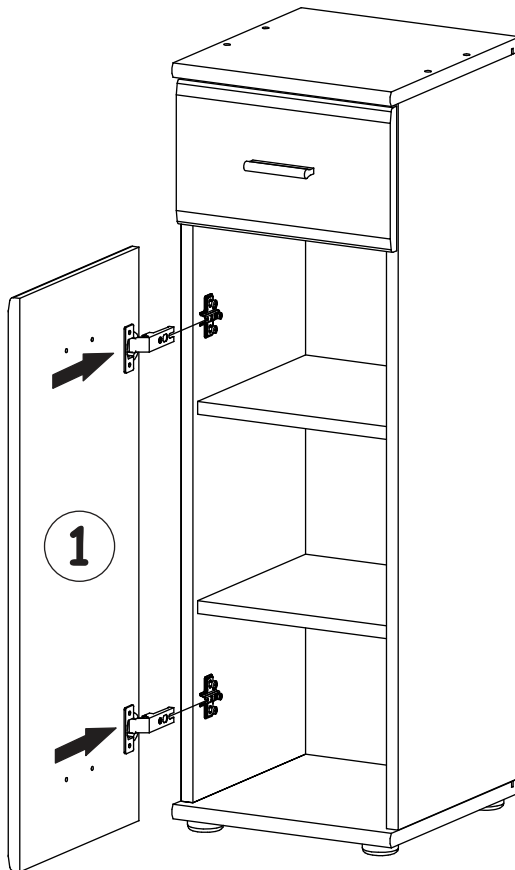


20

| | |
|----|---|
| E2 |  |
| x2 | H=0 |

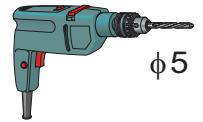
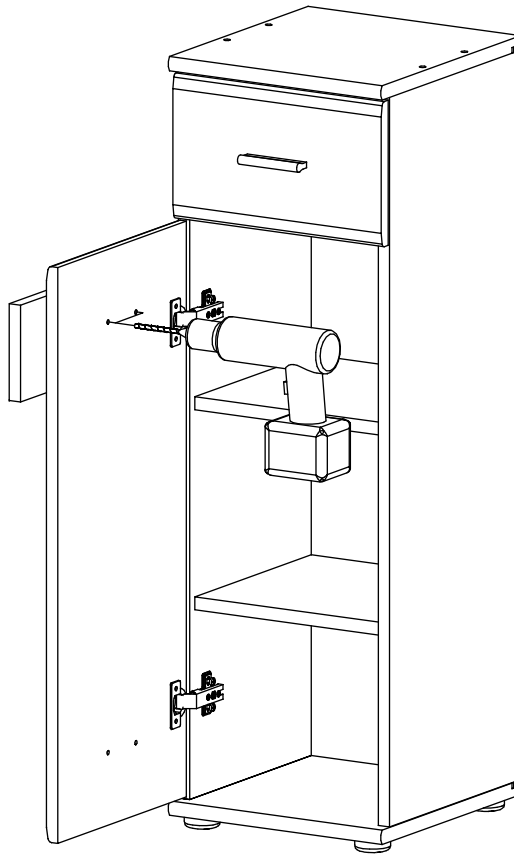
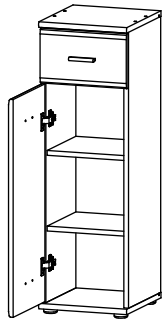


21

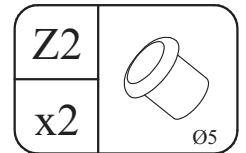
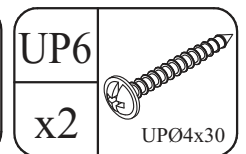
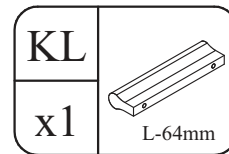
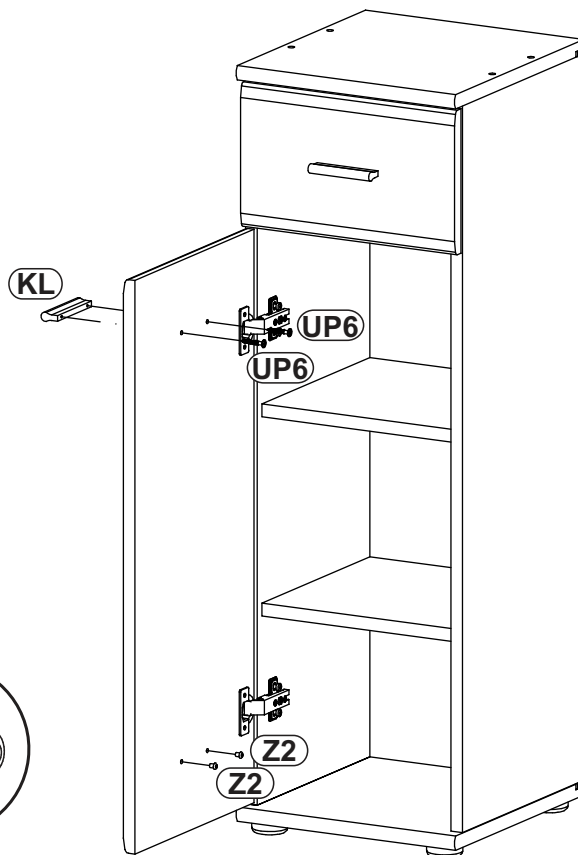


ARMARIO 1 ECO TYP B

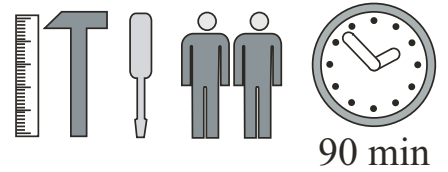
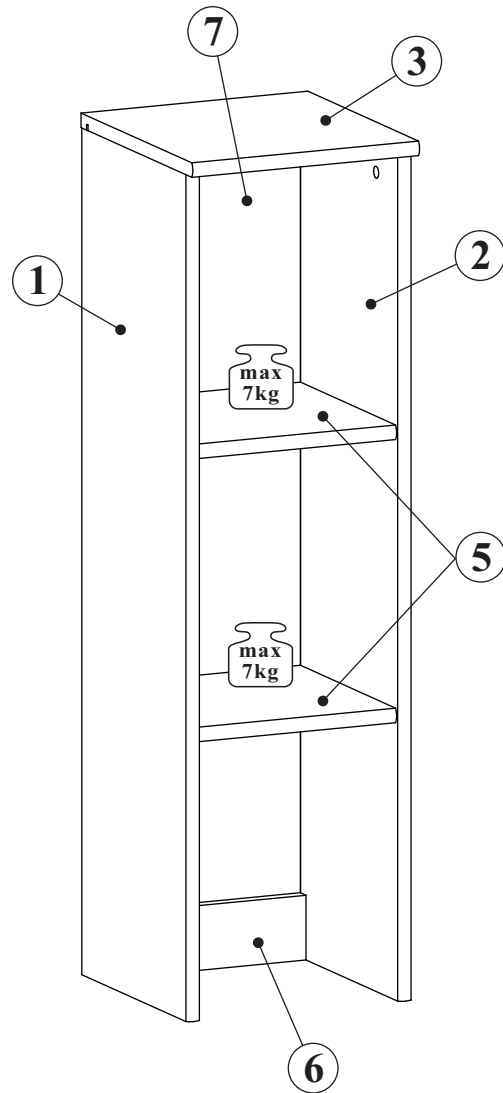
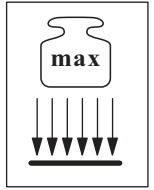
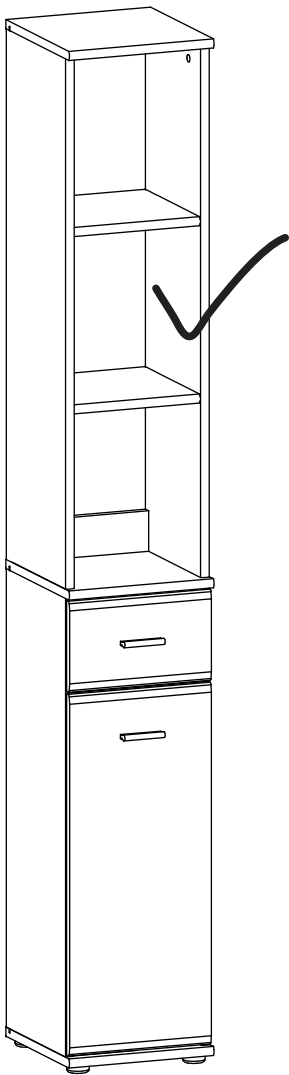
22



23

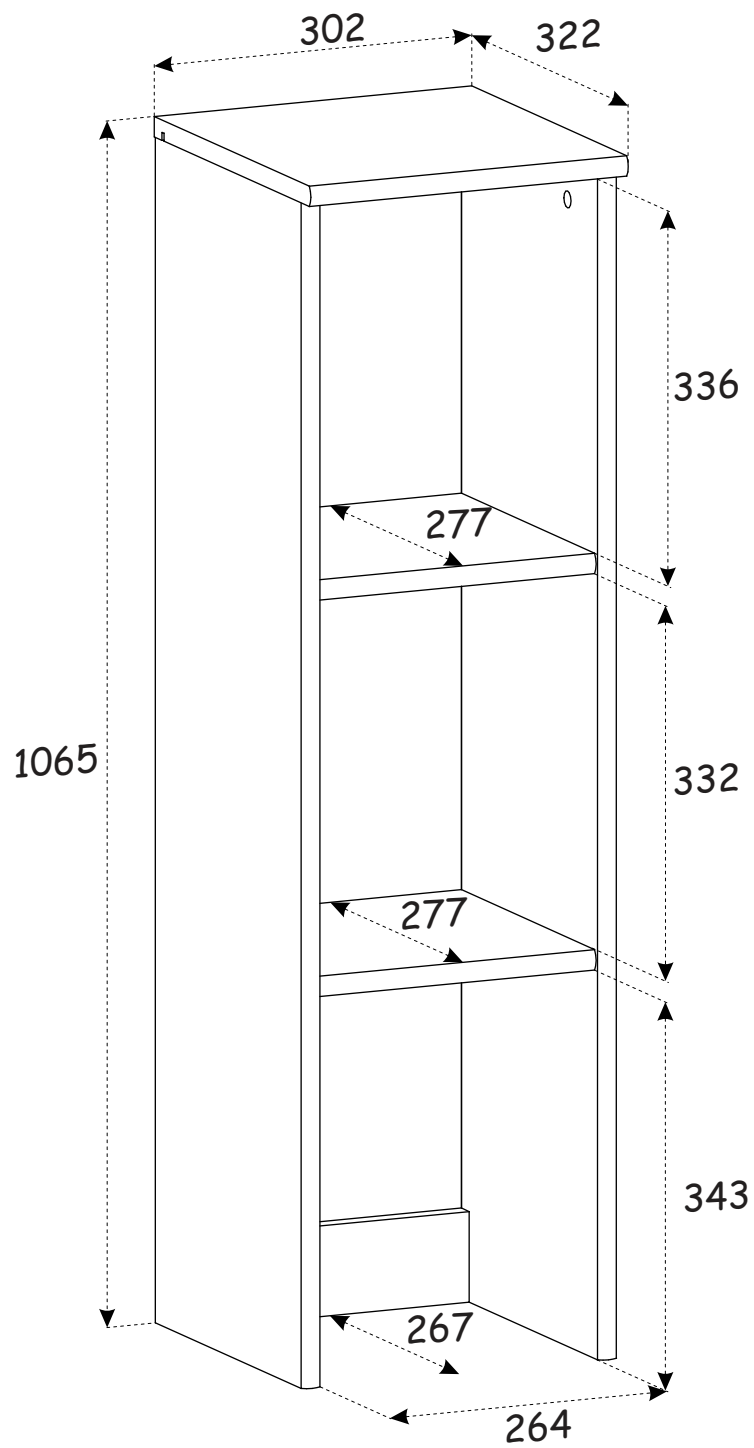


ARMARIO 1 ECO TYP C


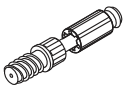


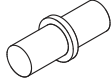

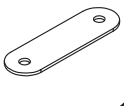

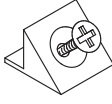

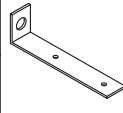
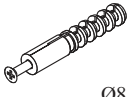



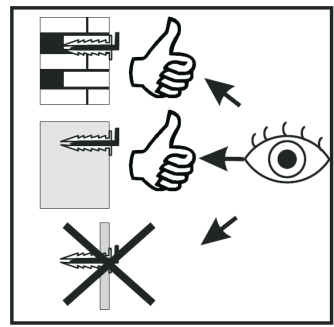
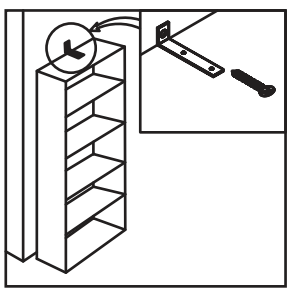
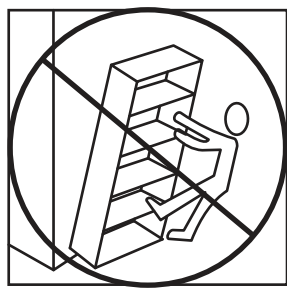
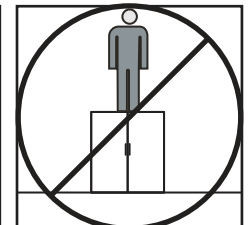
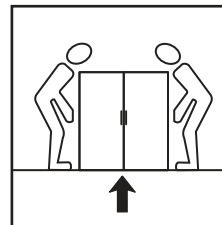
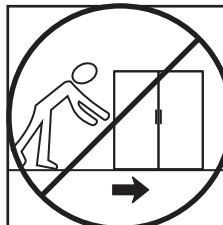
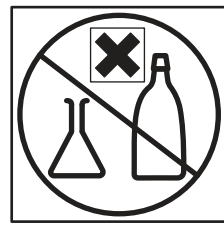
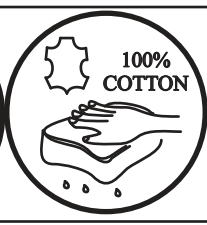
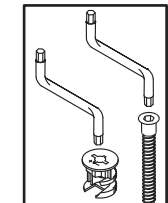
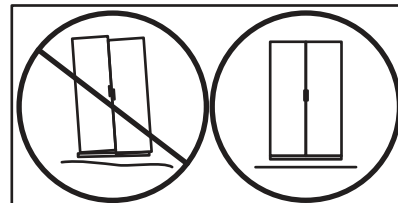
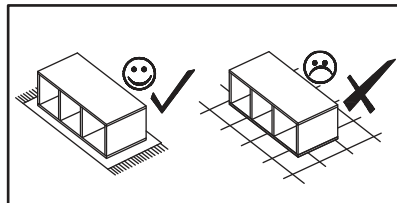
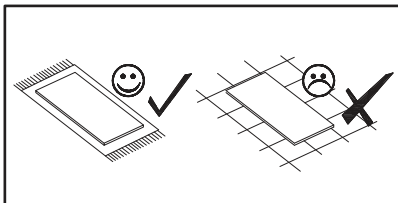
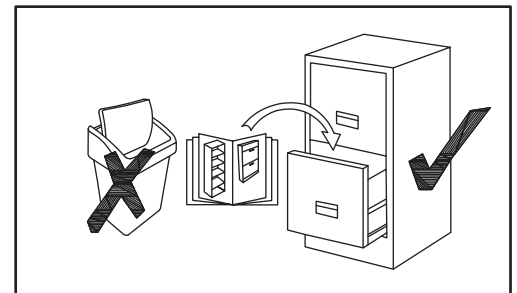
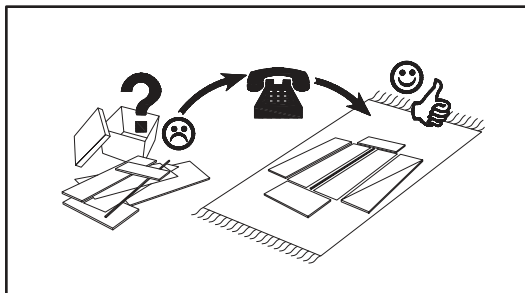
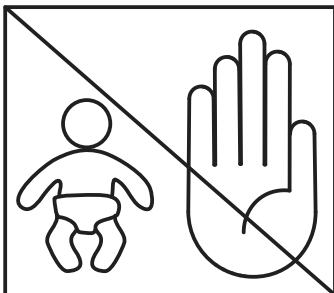
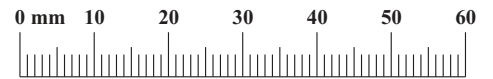
| NO | Dim. | | | Col.-No | Qty |
|----|------|-----|----|---------|-----|
| 1 | 1047 | 303 | 18 | 1 | 1 |
| 2 | 1047 | 303 | 18 | 1 | 1 |
| 3 | 302 | 322 | 18 | 1 | 1 |
| 5 | 264 | 277 | 18 | 1 | 2 |
| 6 | 264 | 80 | 16 | 1 | 1 |
| 7 | 1004 | 275 | 3 | 1 | 1 |

ARMARIO 1 ECO TYP C



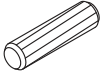
ARMARIO 1 ECO TYP C


| | | | | | |
|---|--|---|---|---|---|
| A1 x10  ø8x36 | B4 x6  | B5 x6  ø15x12 | G5 x6  | G7 x8  | D10 x2  USØ3,5x13 |
| MG3 x2  | D9 x4  USØ3x20 | S1 x7  | Up13 x2  UPØ3x16 | L1 x1  | KR1 x1  Ø8 |
| G2 x1  | | | | | |

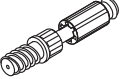


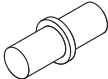
ARMARIO 1 ECO TYP C

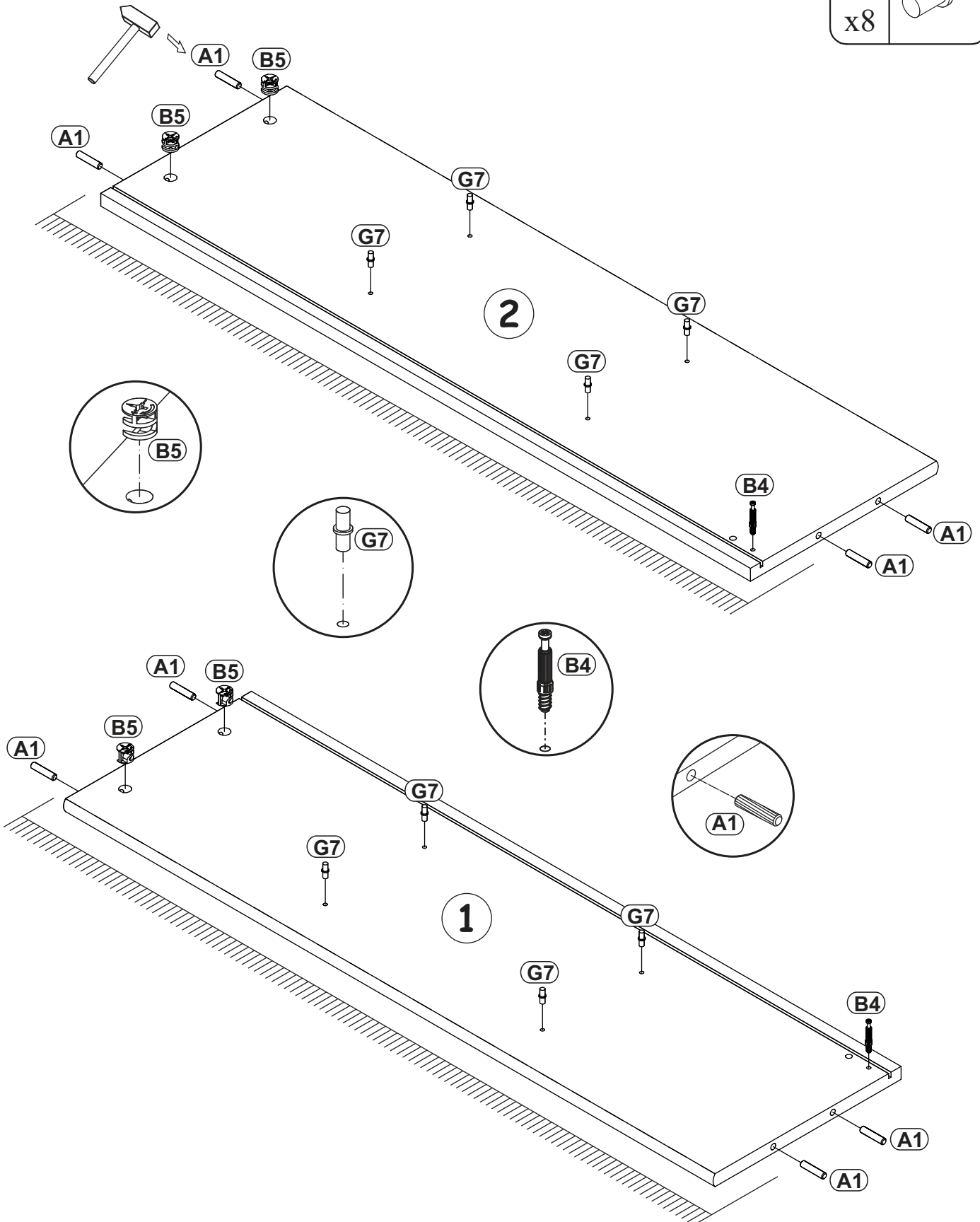
1

| | |
|----|--|
| A1 |  |
| x8 | ø8x36 |

| | |
|----|--|
| B5 |  |
| x4 | ø15x12 |

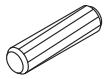
| | |
|----|---|
| B4 |  |
| x2 | |

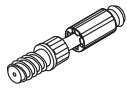
| | |
|----|---|
| G7 |  |
| x8 | |

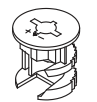


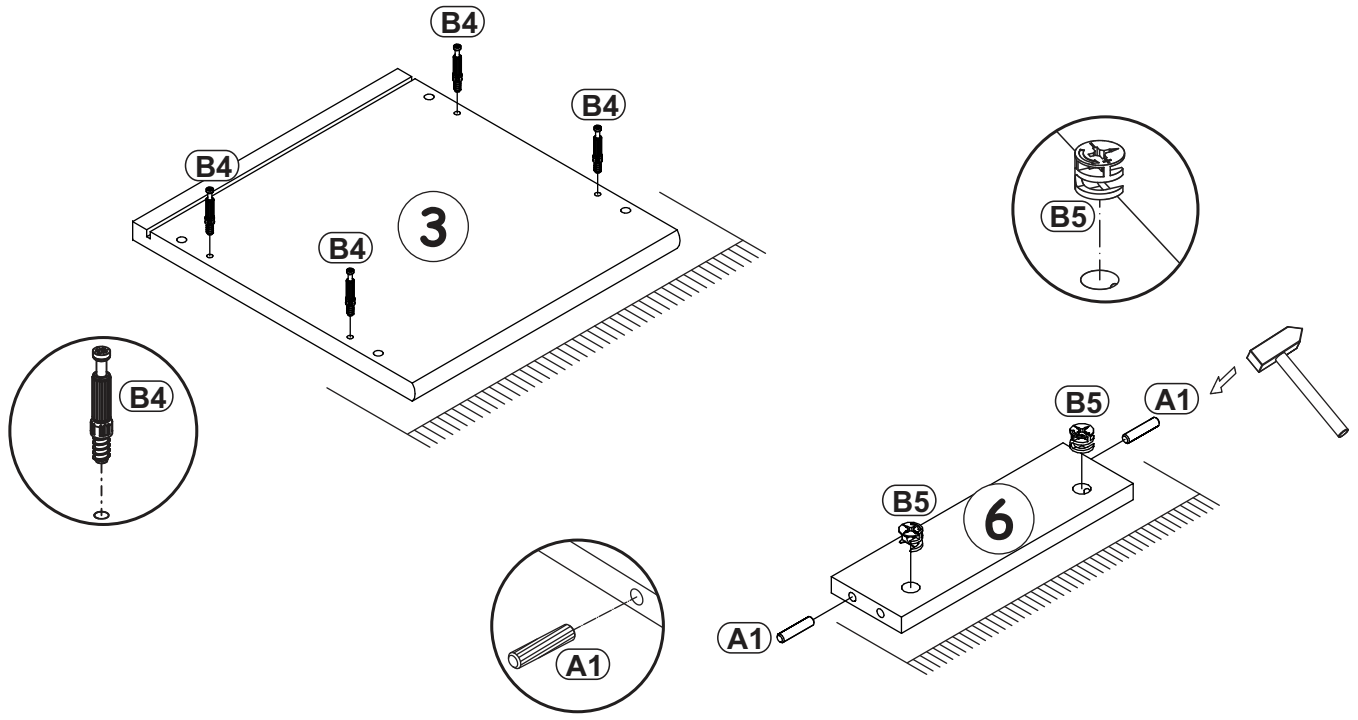
ARMARIO 1 ECO TYP C

2


| | |
|----|--|
| A1 |  |
| x2 | ø8x36 |

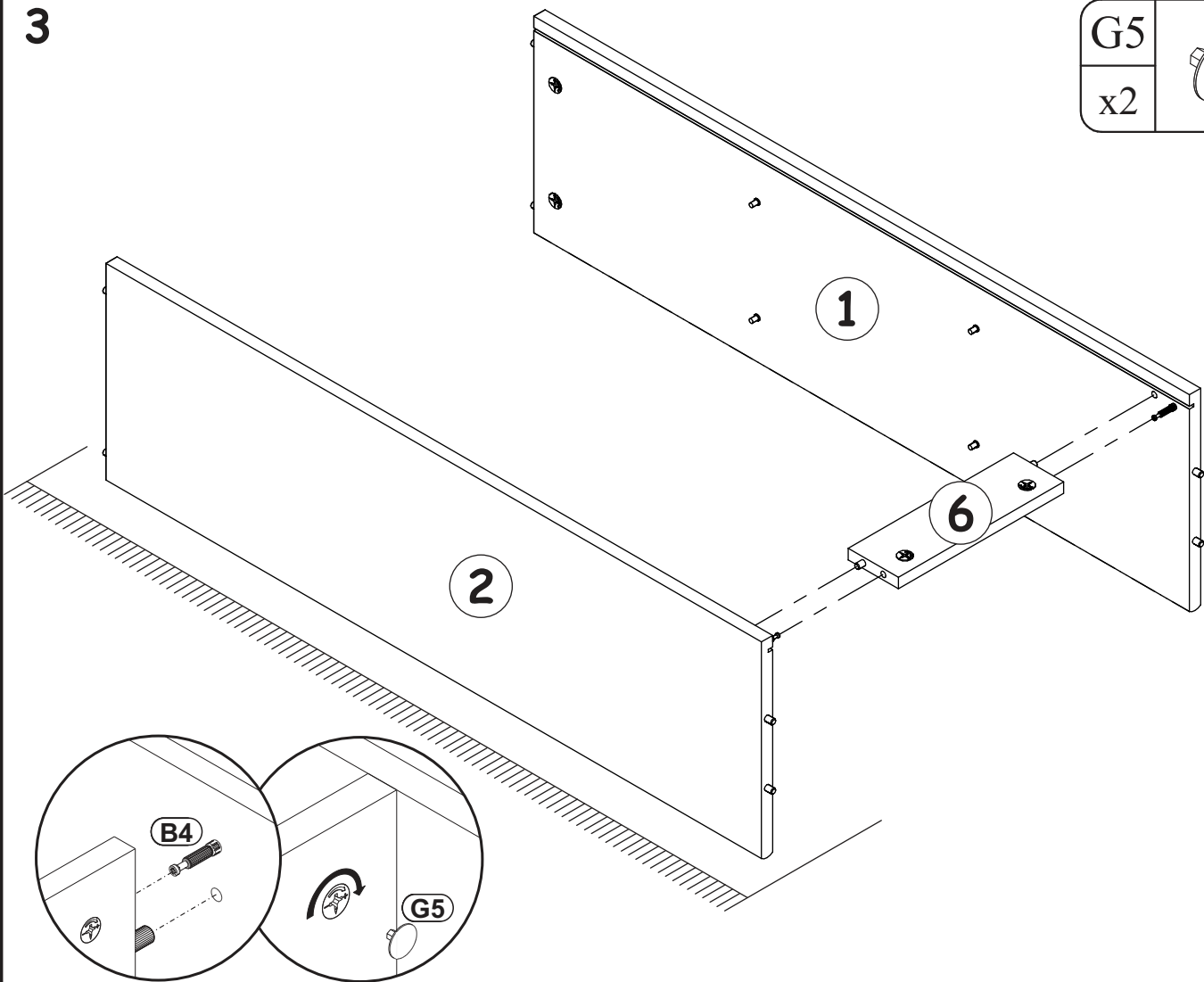
| | |
|----|---|
| B4 |  |
| x4 | |

| | |
|----|--|
| B5 |  |
| x2 | ø15x12 |



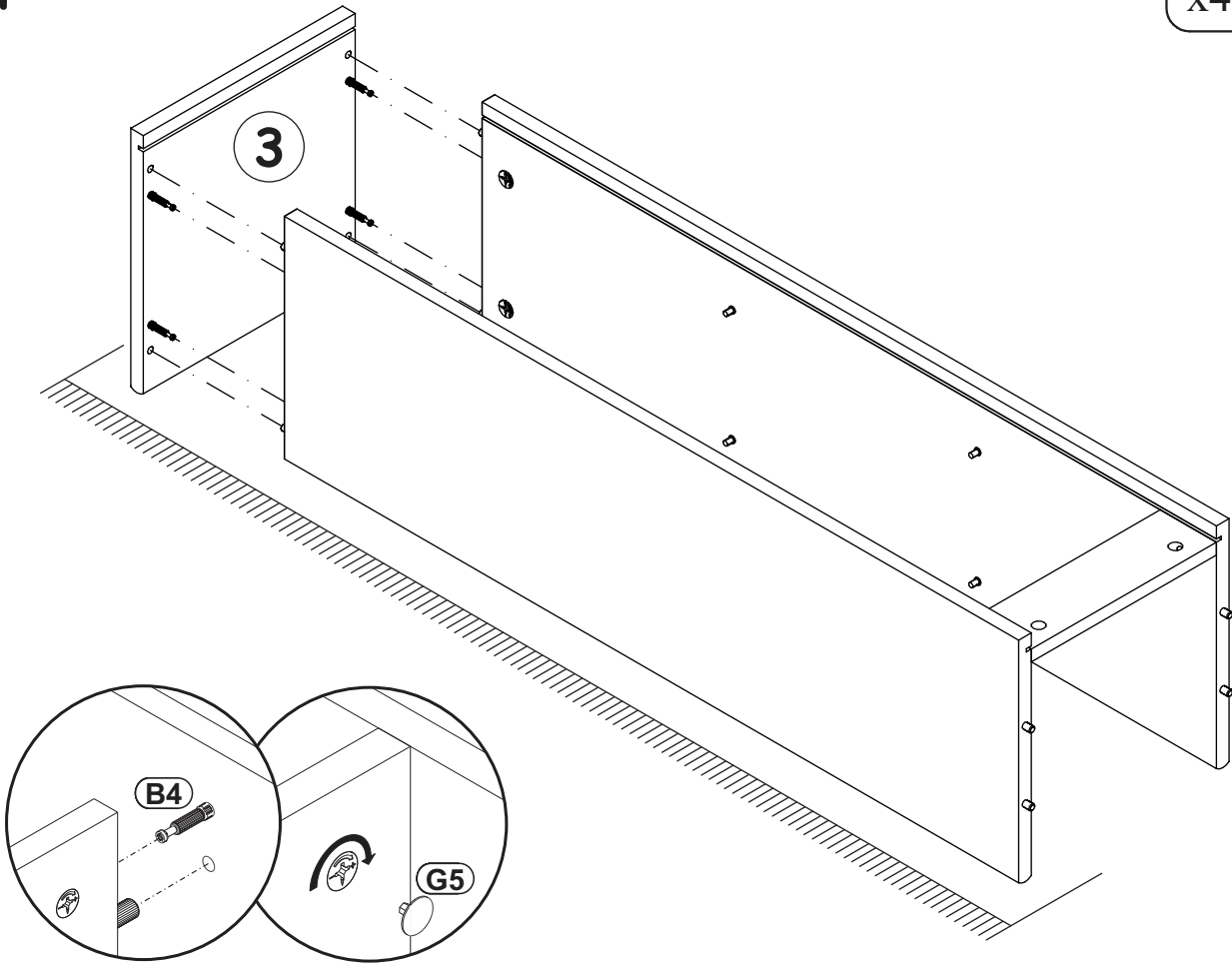
3

| | |
|----|---|
| G5 |  |
| x2 | |

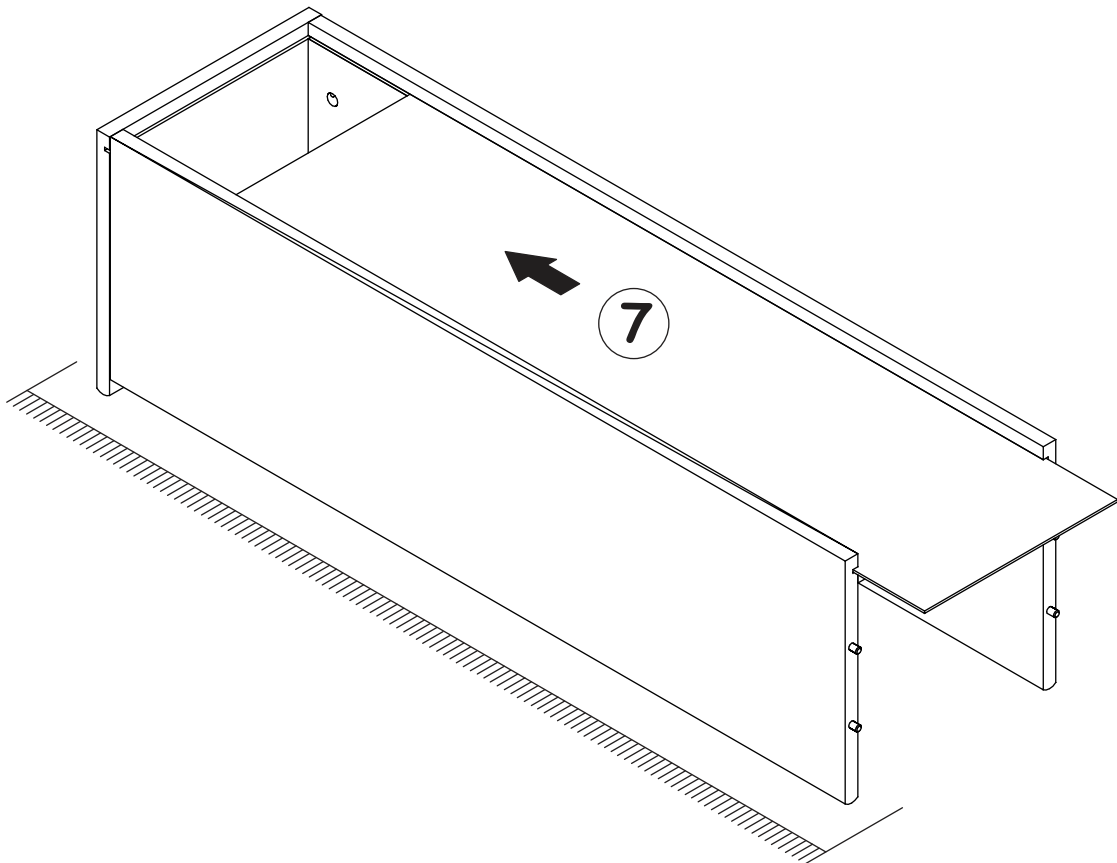




4



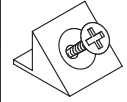
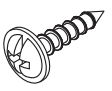
5

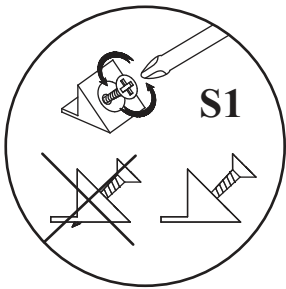
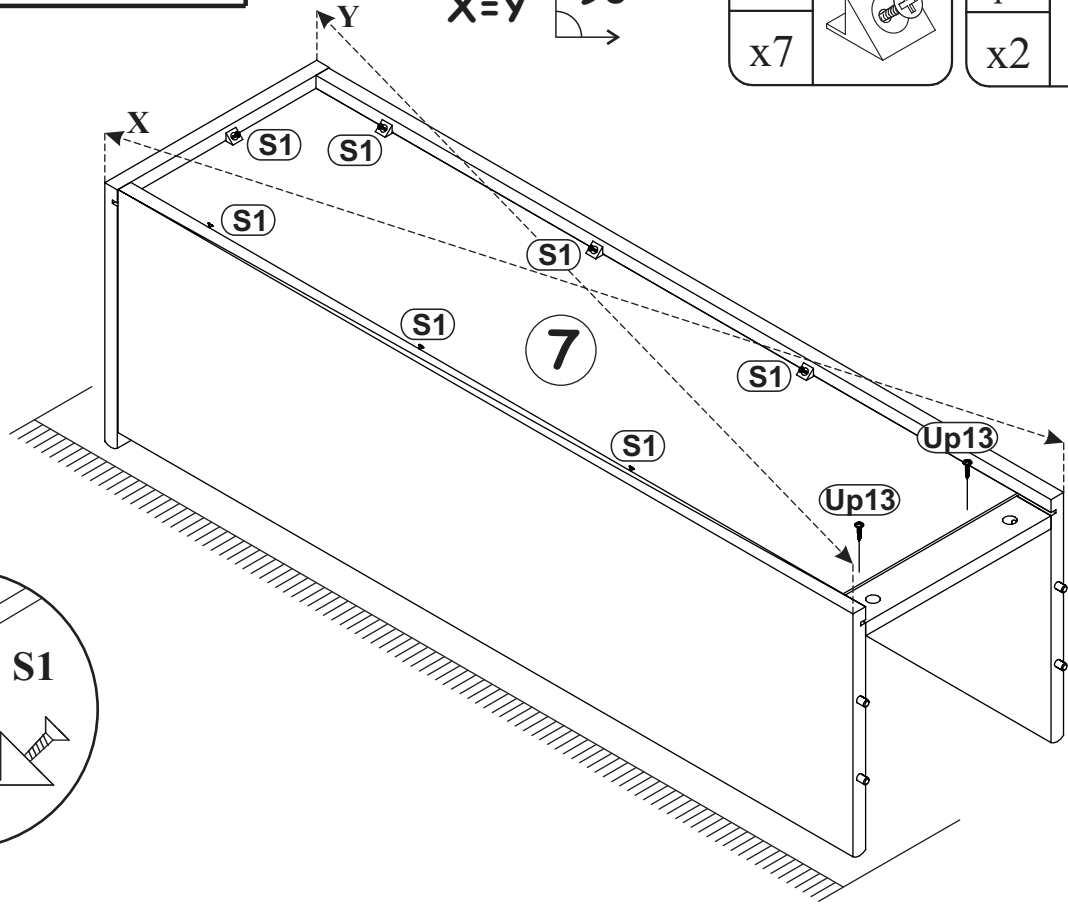


ARMARIO 1 ECO TYP C

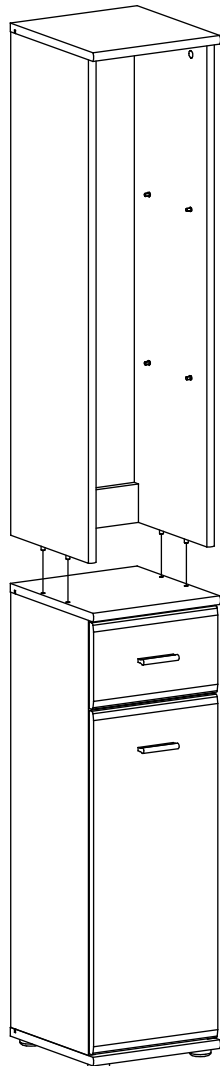
6

$X=Y$ 90°

| | | | |
|----|---|------|---|
| S1 |  | Up13 |  |
| x7 | | x2 | UP03x16 |

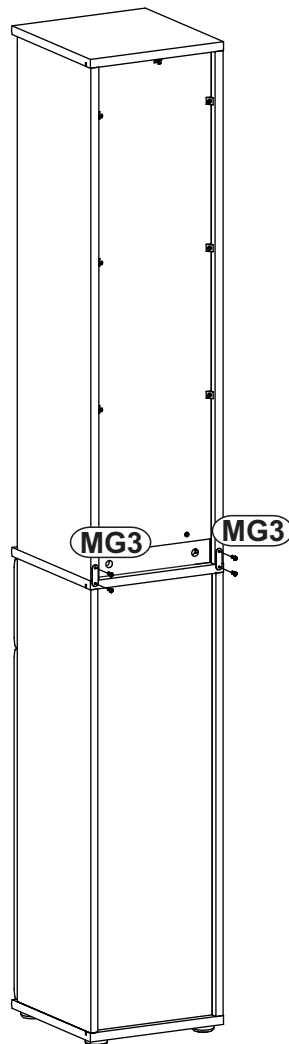


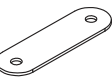
7

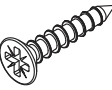


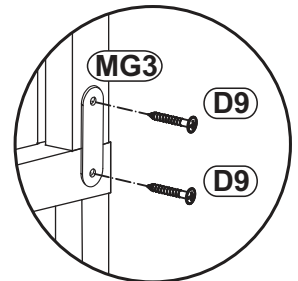
TYP B

180°



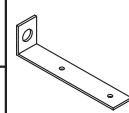
| | |
|-----|---|
| MG3 |  |
| x2 | |

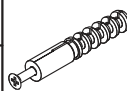
| | |
|----|---|
| D9 |  |
| x4 | US03x20 |

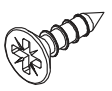


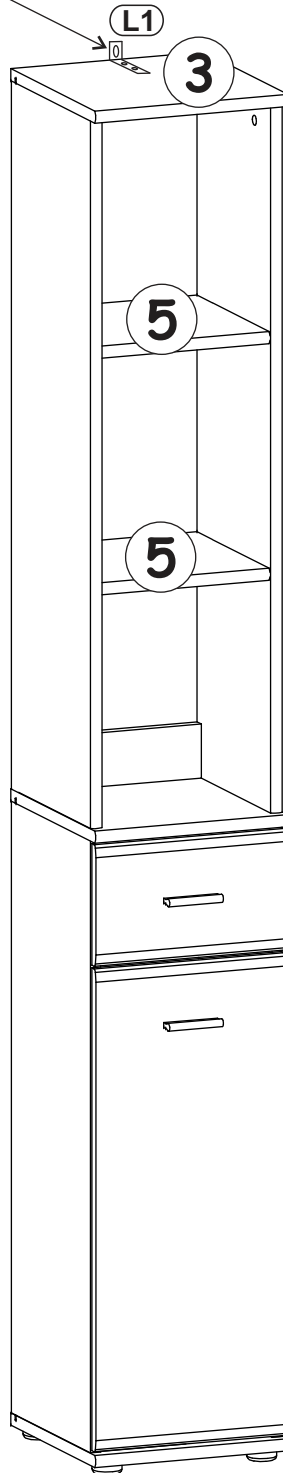
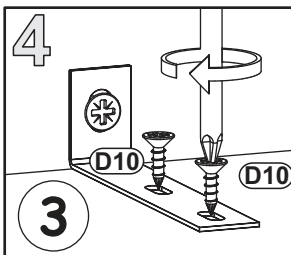
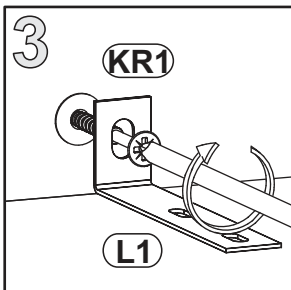
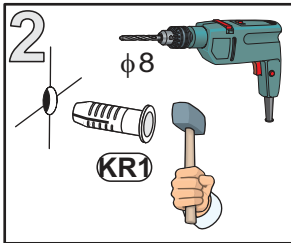
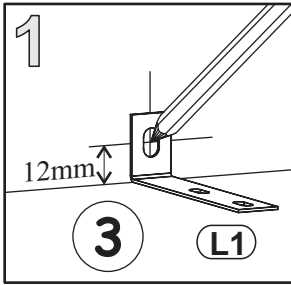
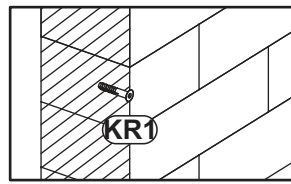
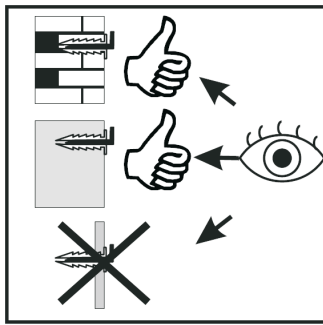
ARMARIO 1 ECO TYP C

8

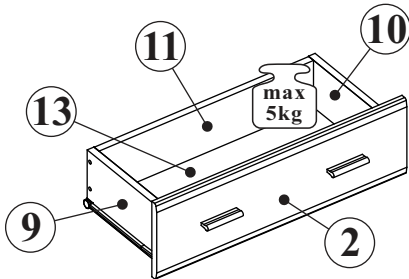
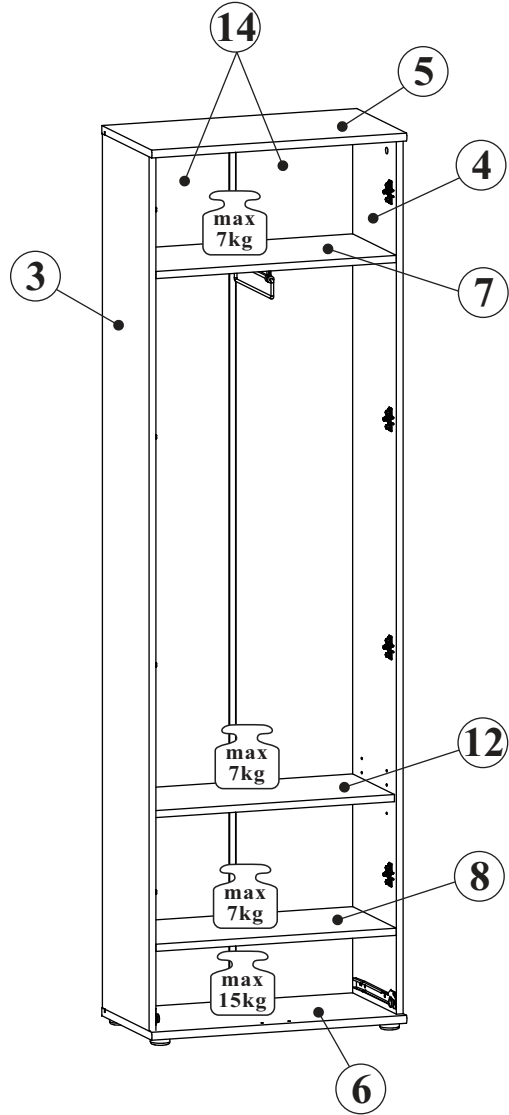
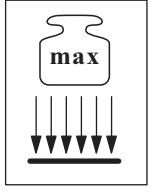
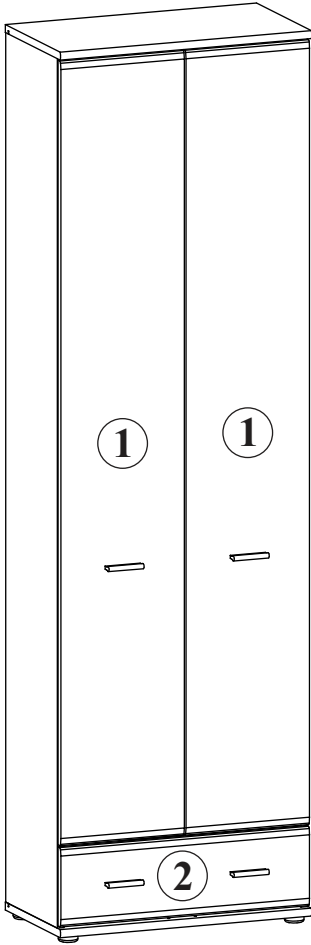
| | |
|----|---|
| L1 |  |
| x1 | |

| | |
|-----|---|
| KR1 |  |
| x1 | Ø8 |

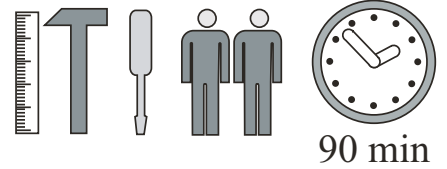
| | |
|-----|---|
| D10 |  |
| x2 | USØ3,5x13 |



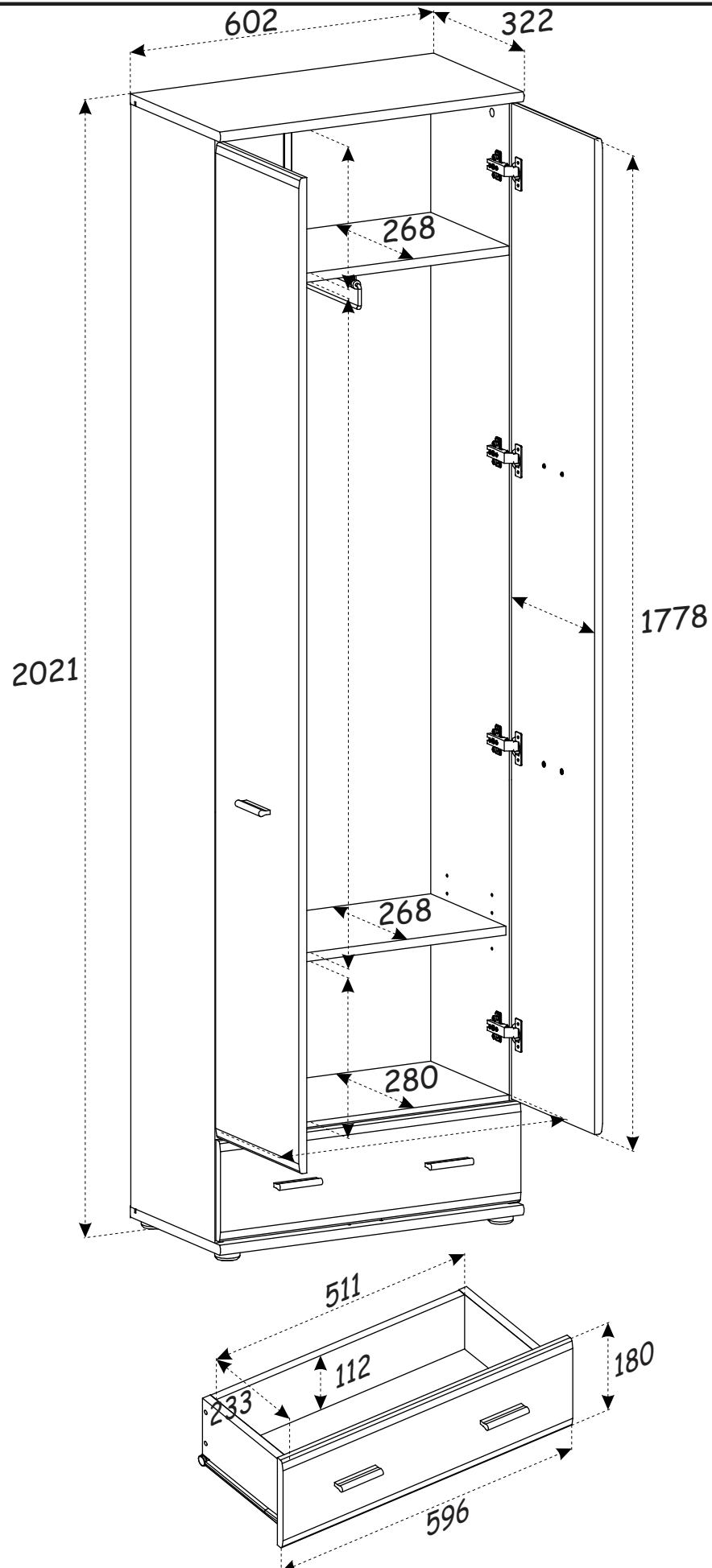
ARMARIO 1 ECO TYP A



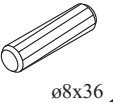
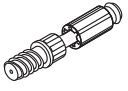
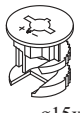



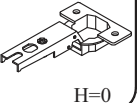
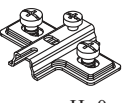

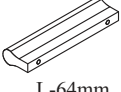


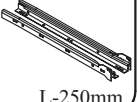

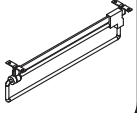

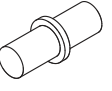
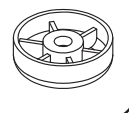

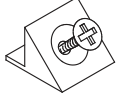
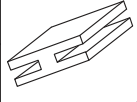
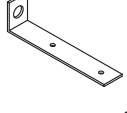
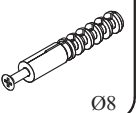

| NO | Dim. | | | Col.-No | Qty |
|----|------|-----|----|---------|-----|
| 1 | 1778 | 296 | 16 | 1 | 2 |
| 2 | 596 | 180 | 16 | 1 | 1 |
| 3 | 1970 | 300 | 16 | 1 | 1 |
| 4 | 1970 | 300 | 16 | 1 | 1 |
| 5 | 602 | 322 | 18 | 1 | 1 |
| 6 | 602 | 322 | 18 | 1 | 1 |
| 7 | 568 | 280 | 16 | 1 | 1 |
| 8 | 568 | 280 | 16 | 1 | 1 |
| 9 | 250 | 132 | 16 | 1 | 1 |
| 10 | 250 | 132 | 16 | 1 | 1 |
| 11 | 511 | 112 | 16 | 1 | 1 |
| 12 | 568 | 268 | 16 | 1 | 1 |
| 13 | 523 | 253 | 3 | 1 | 1 |
| 14 | 1981 | 288 | 3 | 1 | 2 |

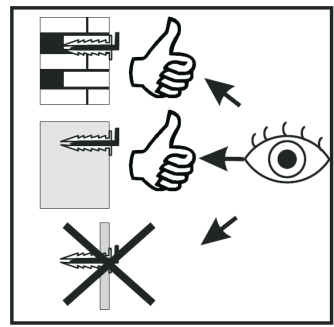
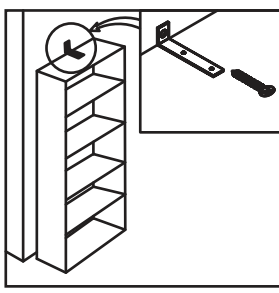
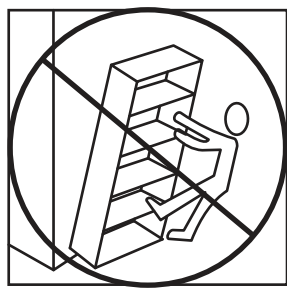
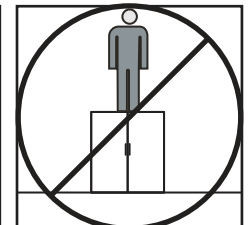
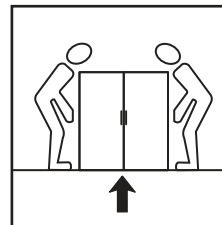
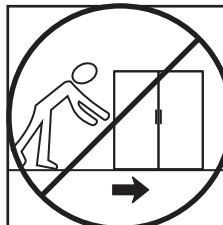
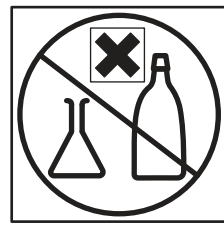
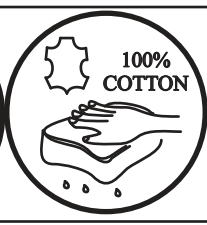
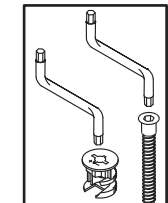
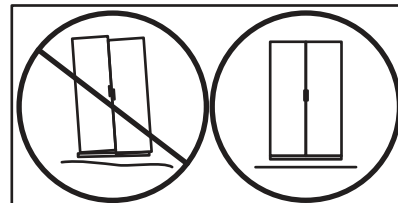
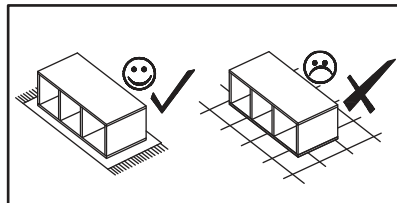
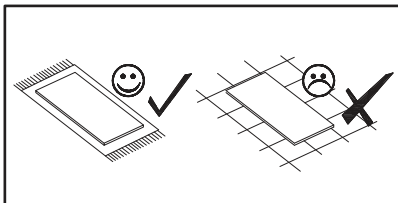
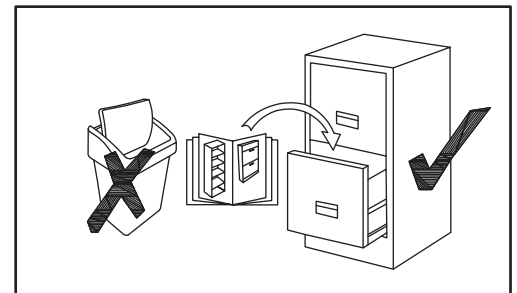
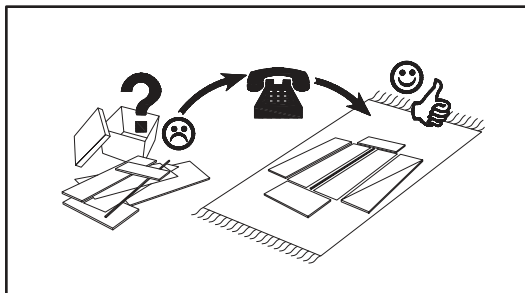
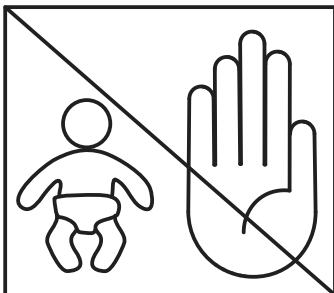
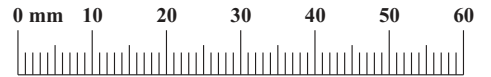


ARMARIO 1 ECO TYP A



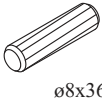

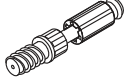
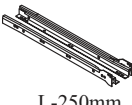

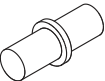
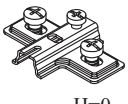
ARMARIO 1 ECO TYP A

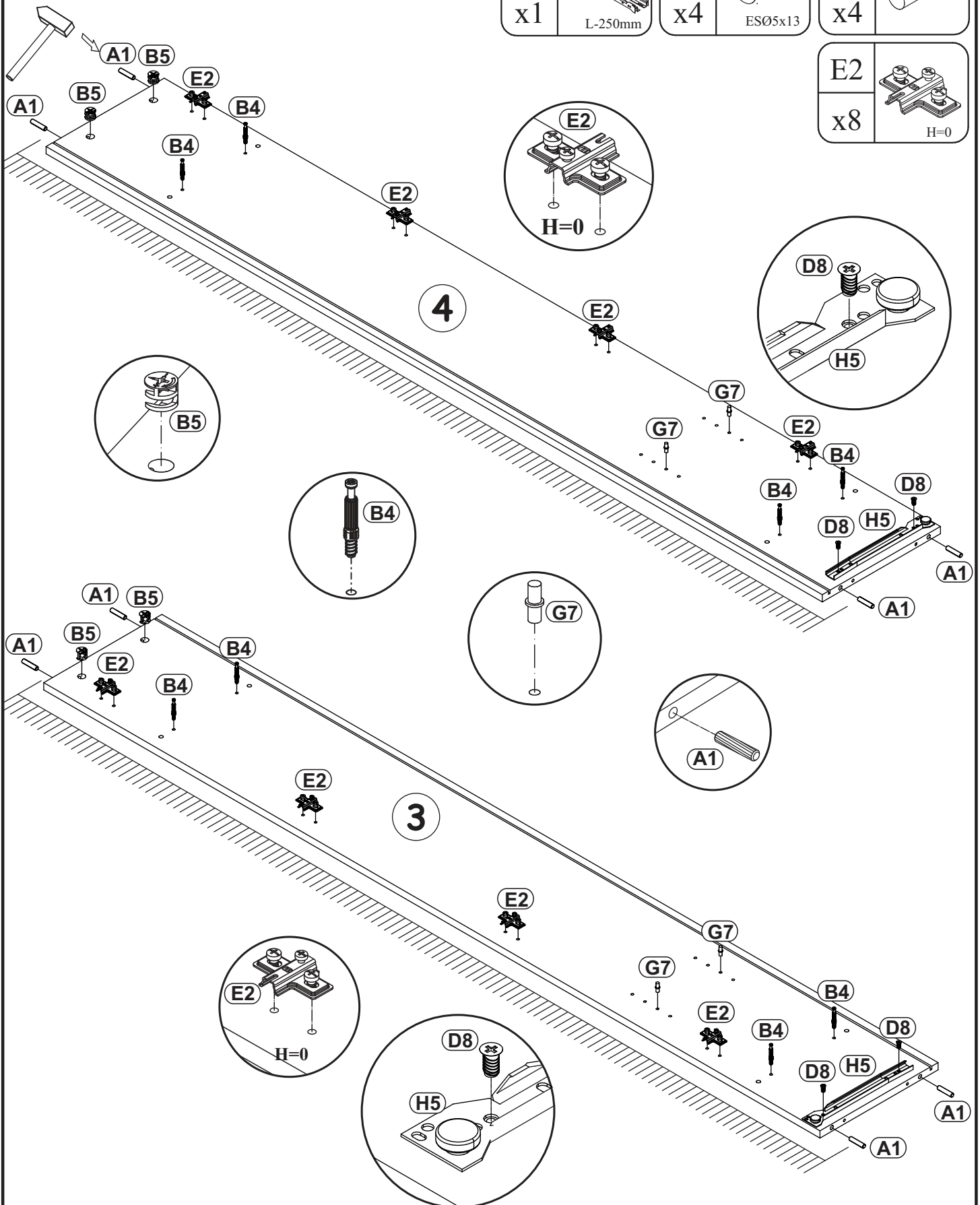
| | | | | | |
|---|--|--|---|---|--|
| A1 x20  ø8x36 | B4 x14  | B5 x14  ø15x12 | G5 x14  | B11 x8  Ø7x50 | G4 x8  |
| E1 x8  H=0 Ø26 | E2 x8  H=0 | D10 x22  USØ3,5x13 | KL x4  L-64mm | UP6 x8  UPØ4x30 | Z2 x4  Ø5 |
| H5 x1  L-250mm | D8 x4  ESØ5x13 | C6 x1  | Up13 X19  UPØ3x16 | G7 x4  | |
| I11 x4  | UP11 x4  UPØ4x20 | S1 x18  | G8 x1  | L1 x1  | KR1 x1  Ø8 |
| G2 x1  | | | | | |



ARMARIO 1 ECO TYP A

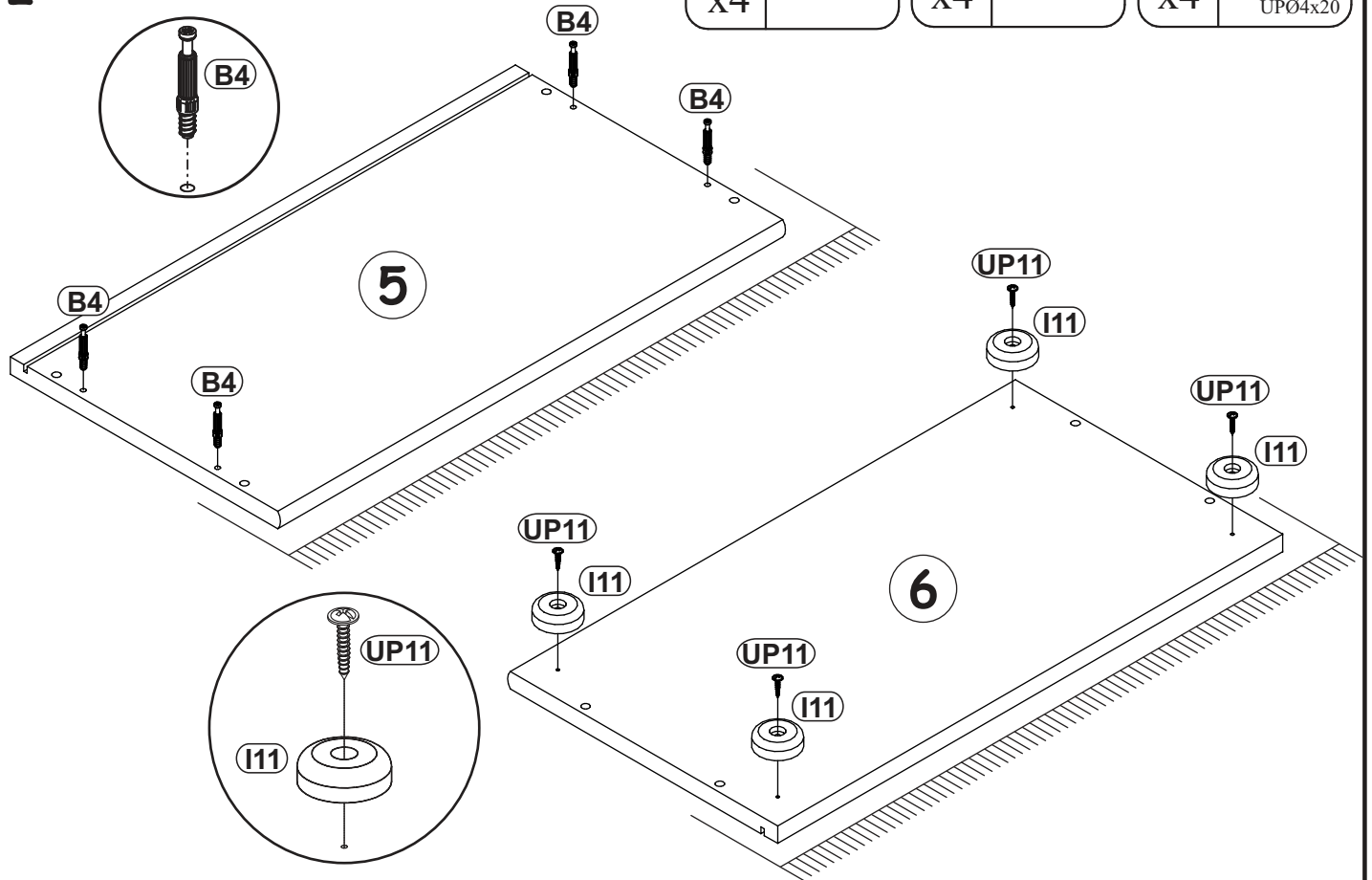
1

| | | | | | |
|----------|---|----------|--|----------|---|
| A1 x8 |  ø8x36 | B5 x4 |  ø15x12 | B4 x8 |  |
| H5 x1 |  L-250mm | D8 x4 |  ESØ5x13 | G7 x4 |  |
| | | E2 x8 |  H=0 | | |

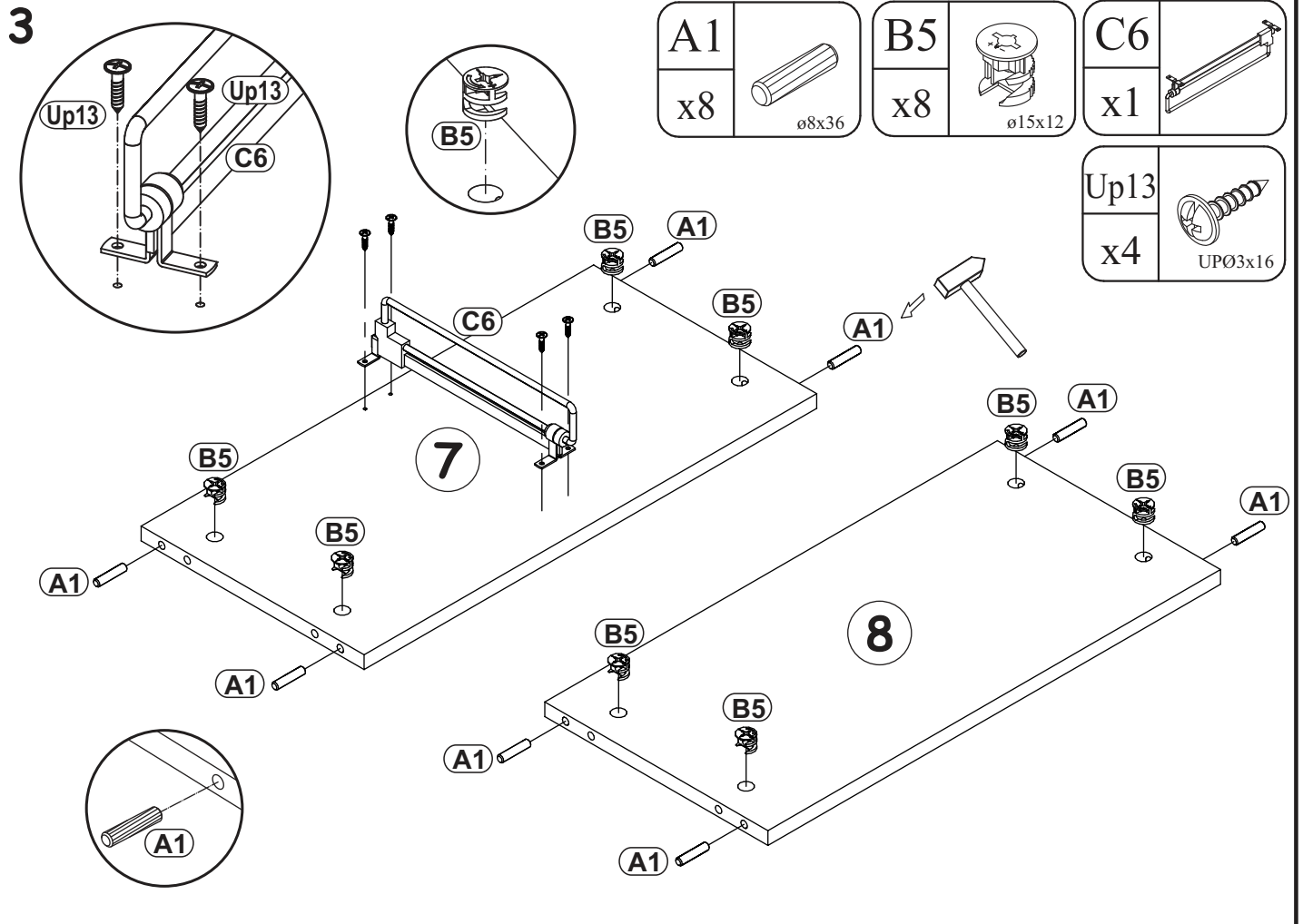


ARMARIO 1 ECO TYP A

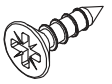
2



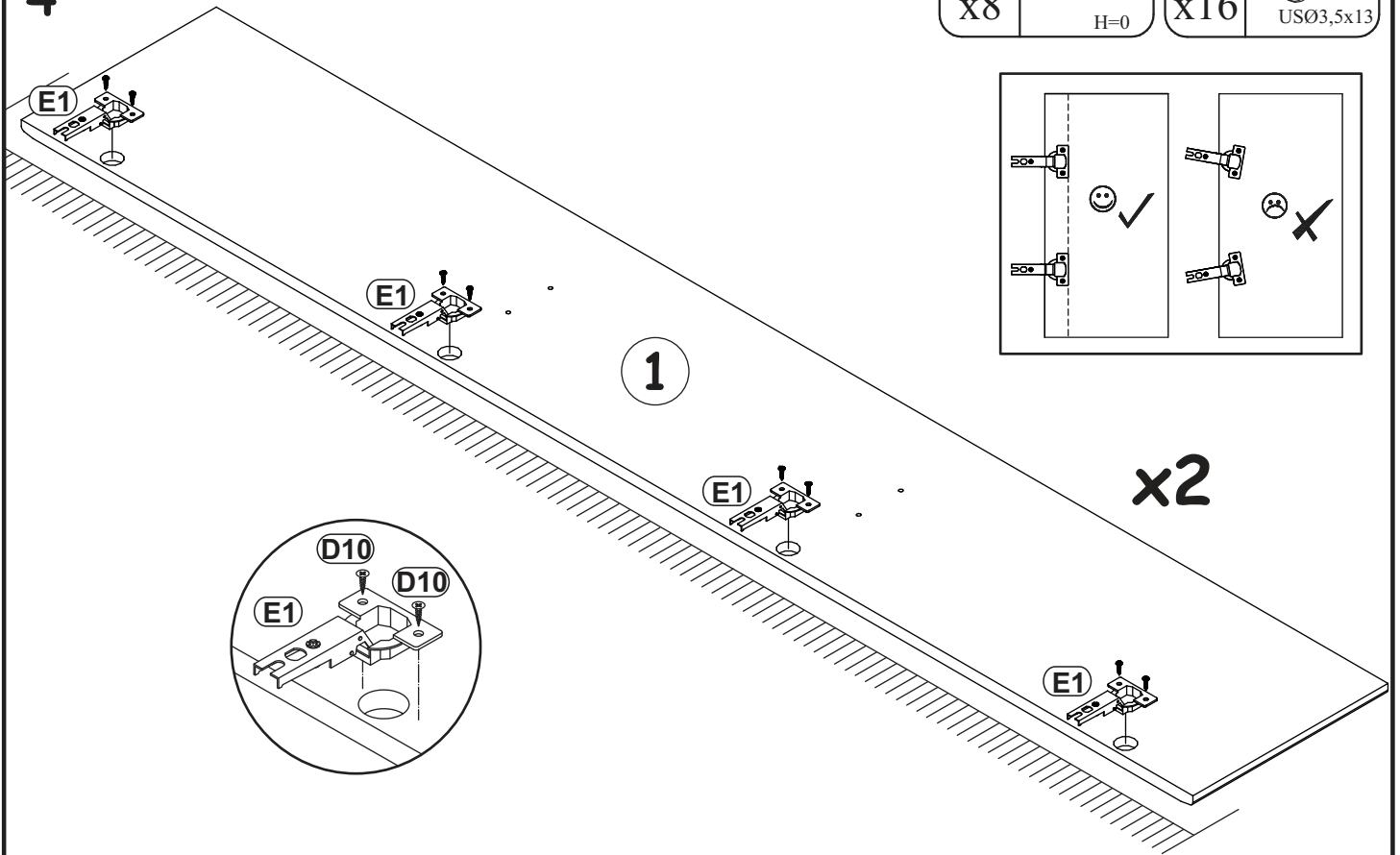
3



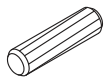
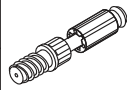
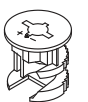
ARMARIO 1 ECO TYP A

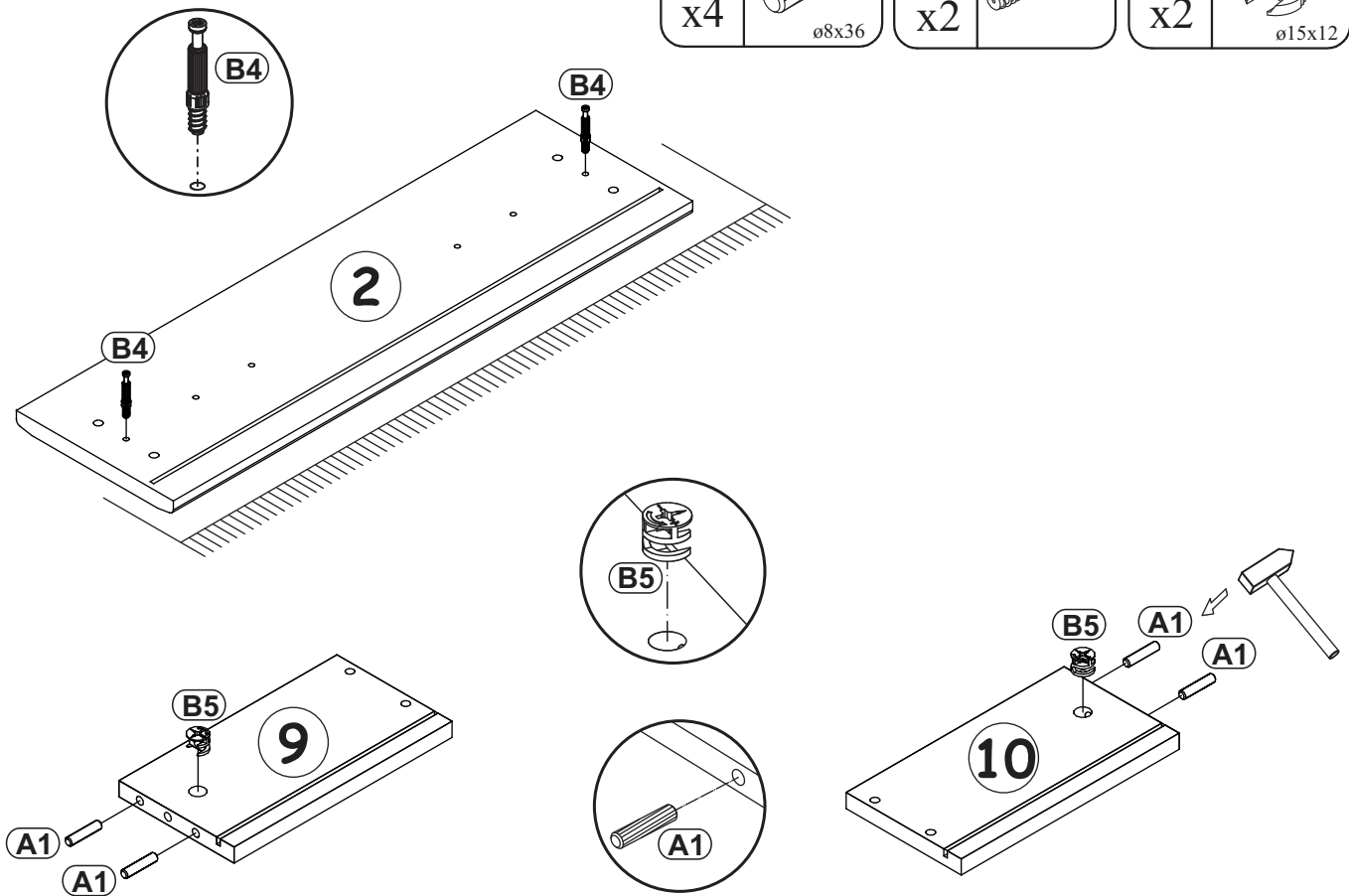
| | | | |
|----|-----|-----|--|
| E1 | Ø26 | D10 |  USØ3,5x13 |
| x8 | H=0 | x16 | |

4





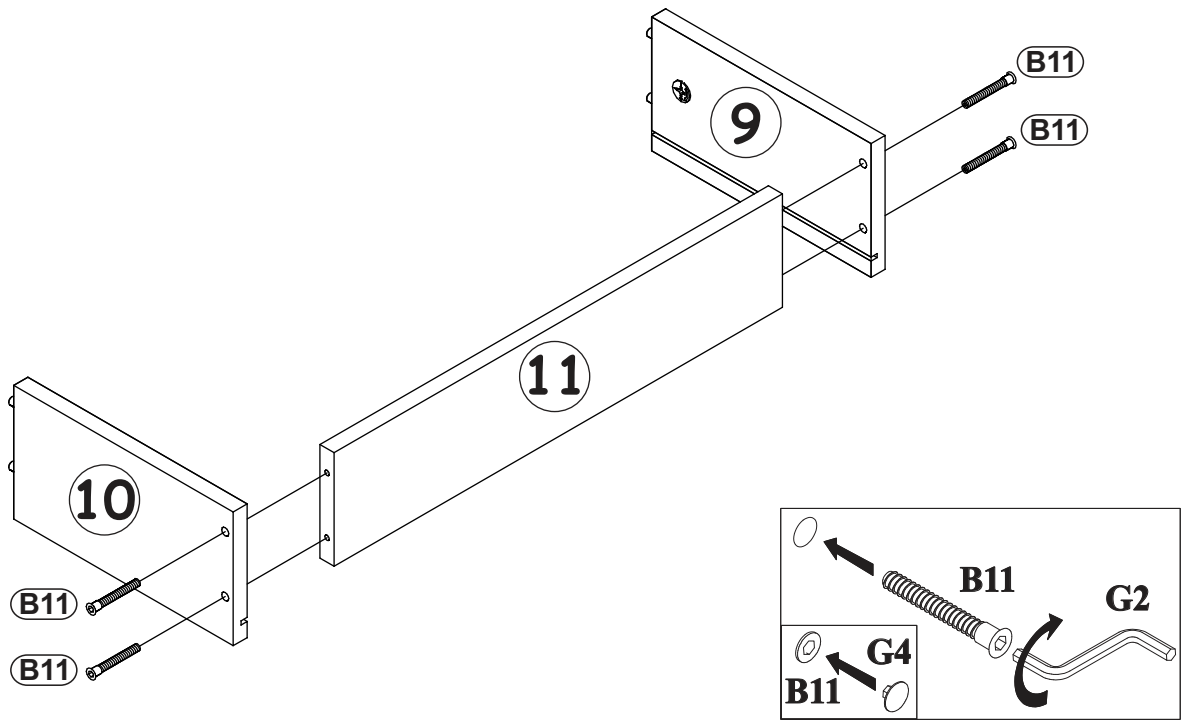
5

| | | | | | |
|----|---|----|---|----|---|
| A1 |  ø8x36 | B4 |  | B5 |  ø15x12 |
| x4 | | x2 | | x2 | |




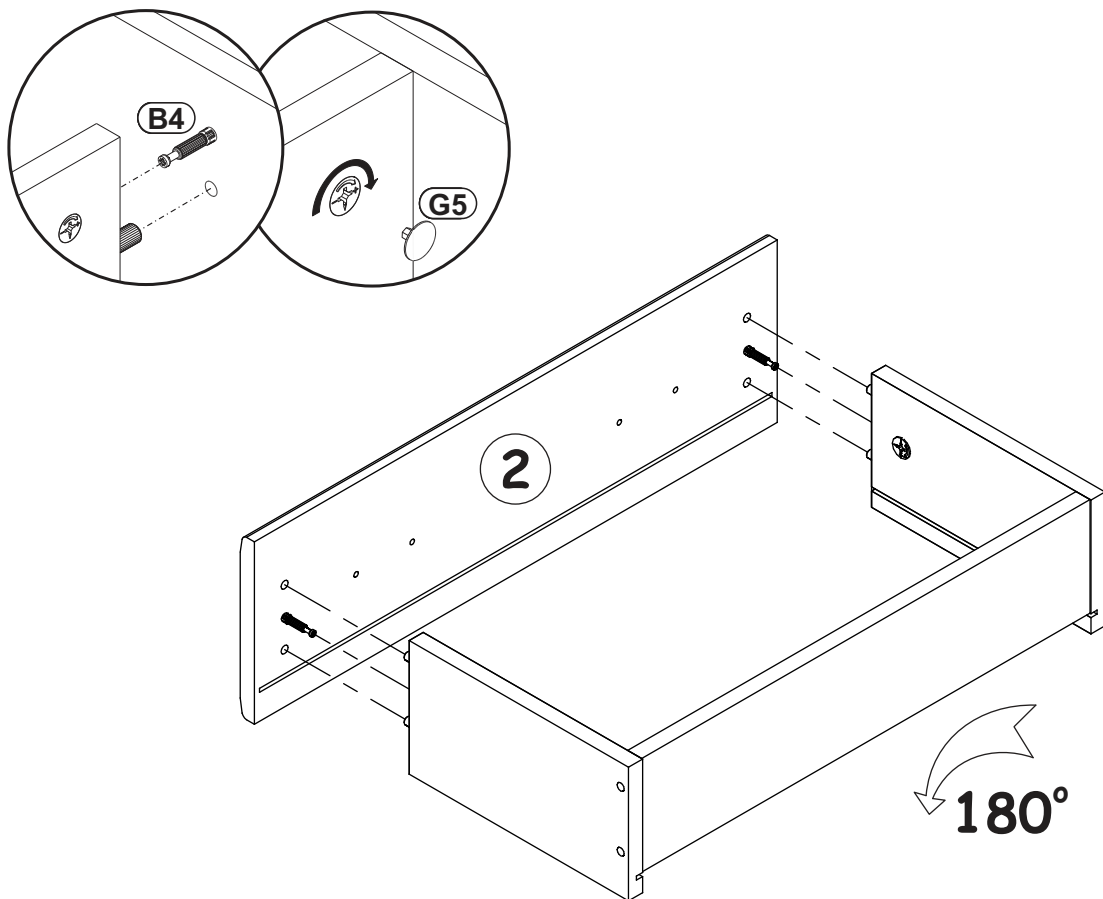
6

| | | | |
|-----|---|----|---|
| B11 |  | G4 |  |
| x4 | Ø7x50 | x4 | |

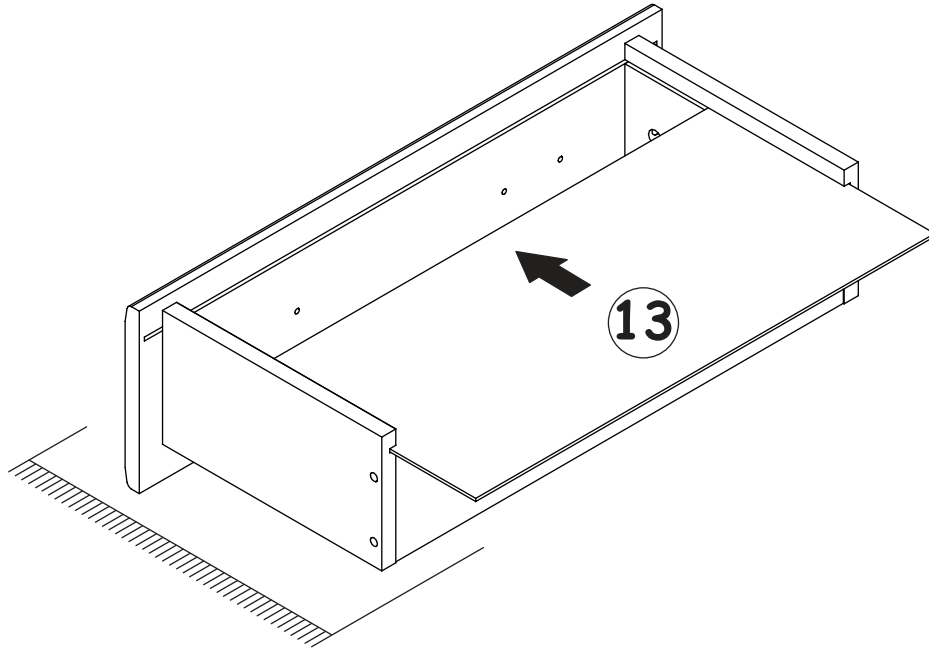


7

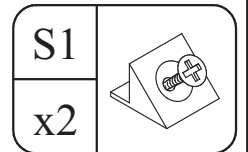
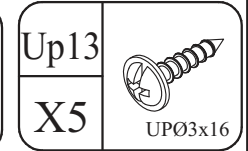
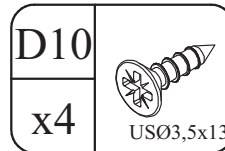
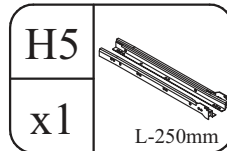
| | |
|----|---|
| G5 |  |
| x2 | |



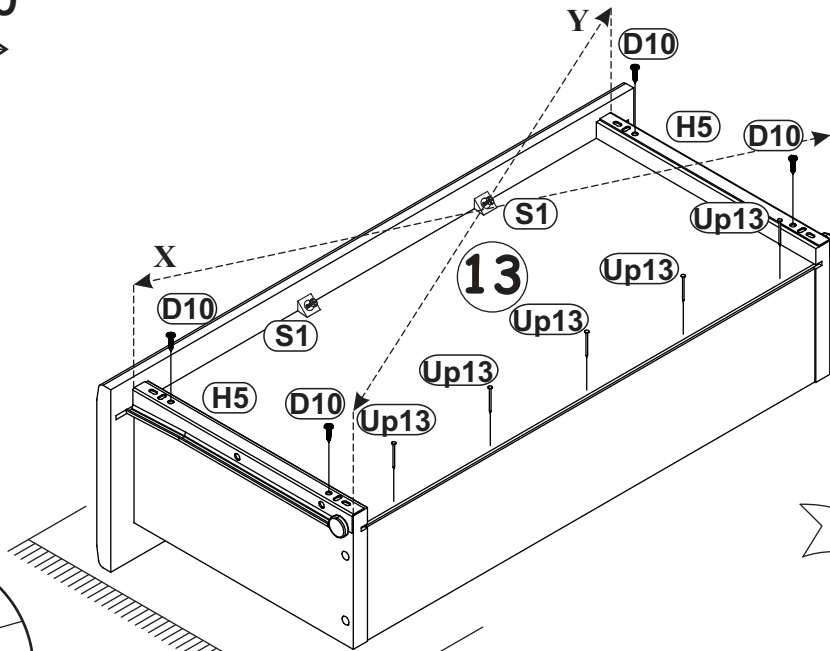
8



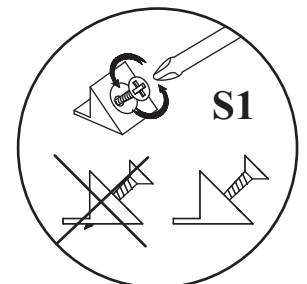
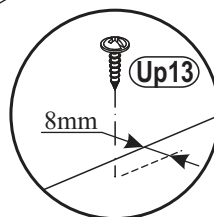
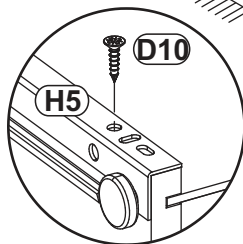
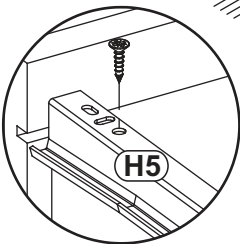
9



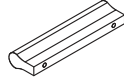
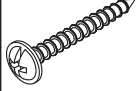
X=Y 90°

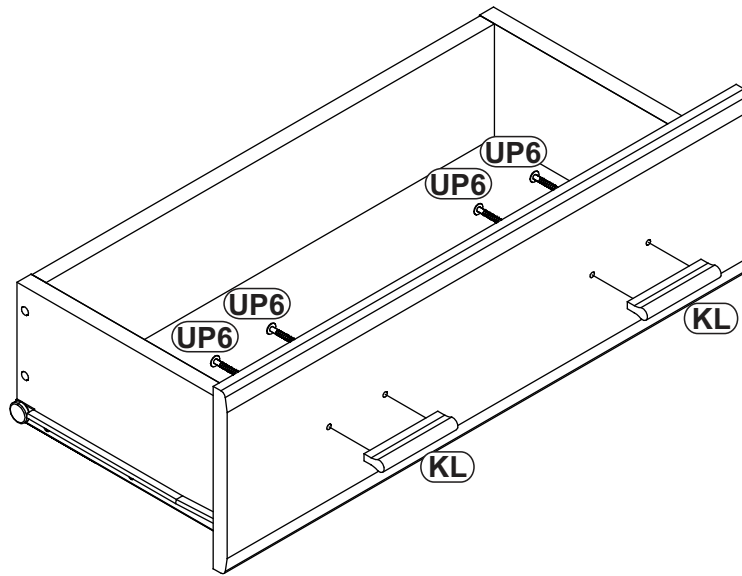


180°




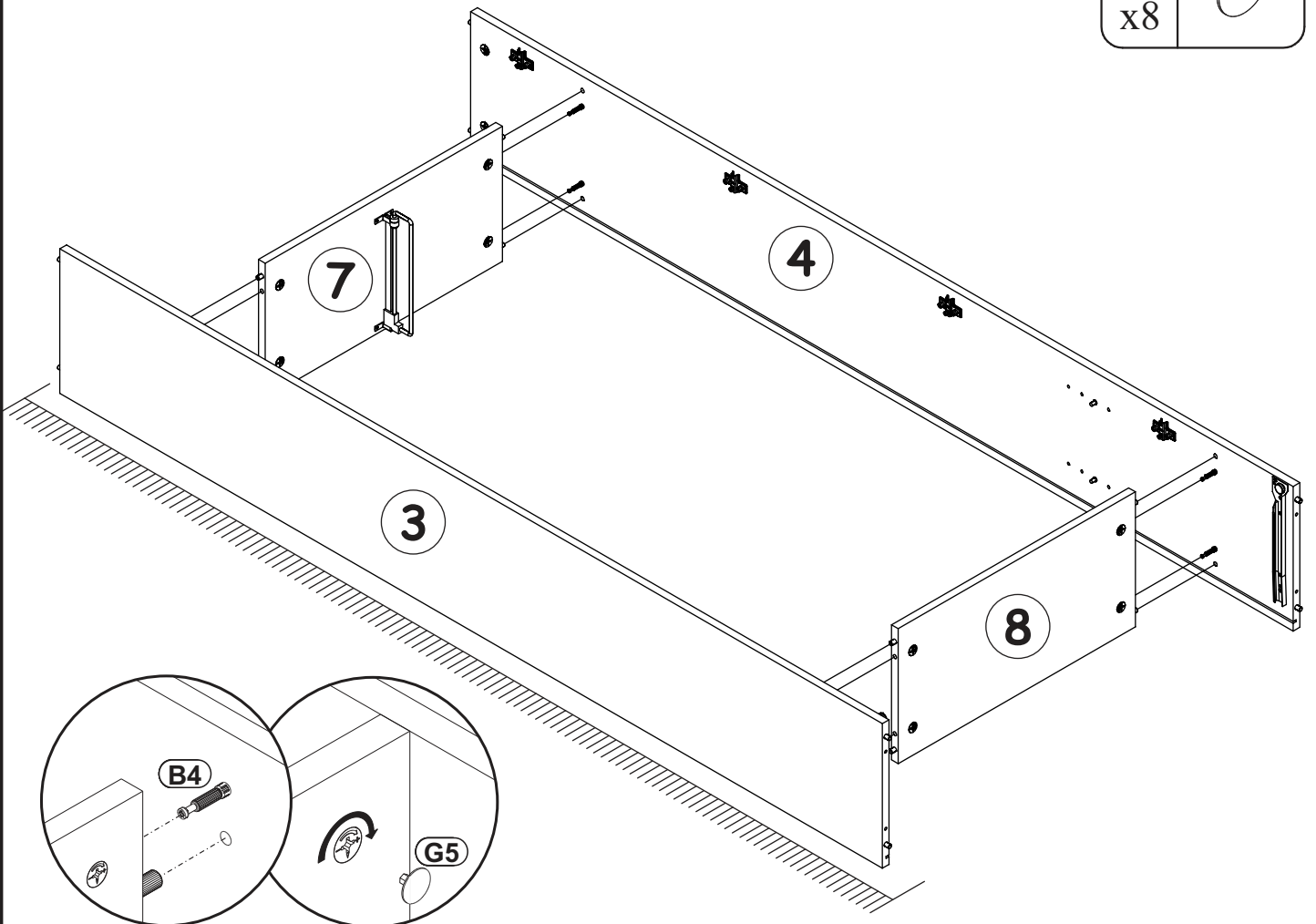
10


| | | | |
|----|---|-----|---|
| KL |  | UP6 |  |
| x2 | L-64mm | x4 | UPØ4x30 |



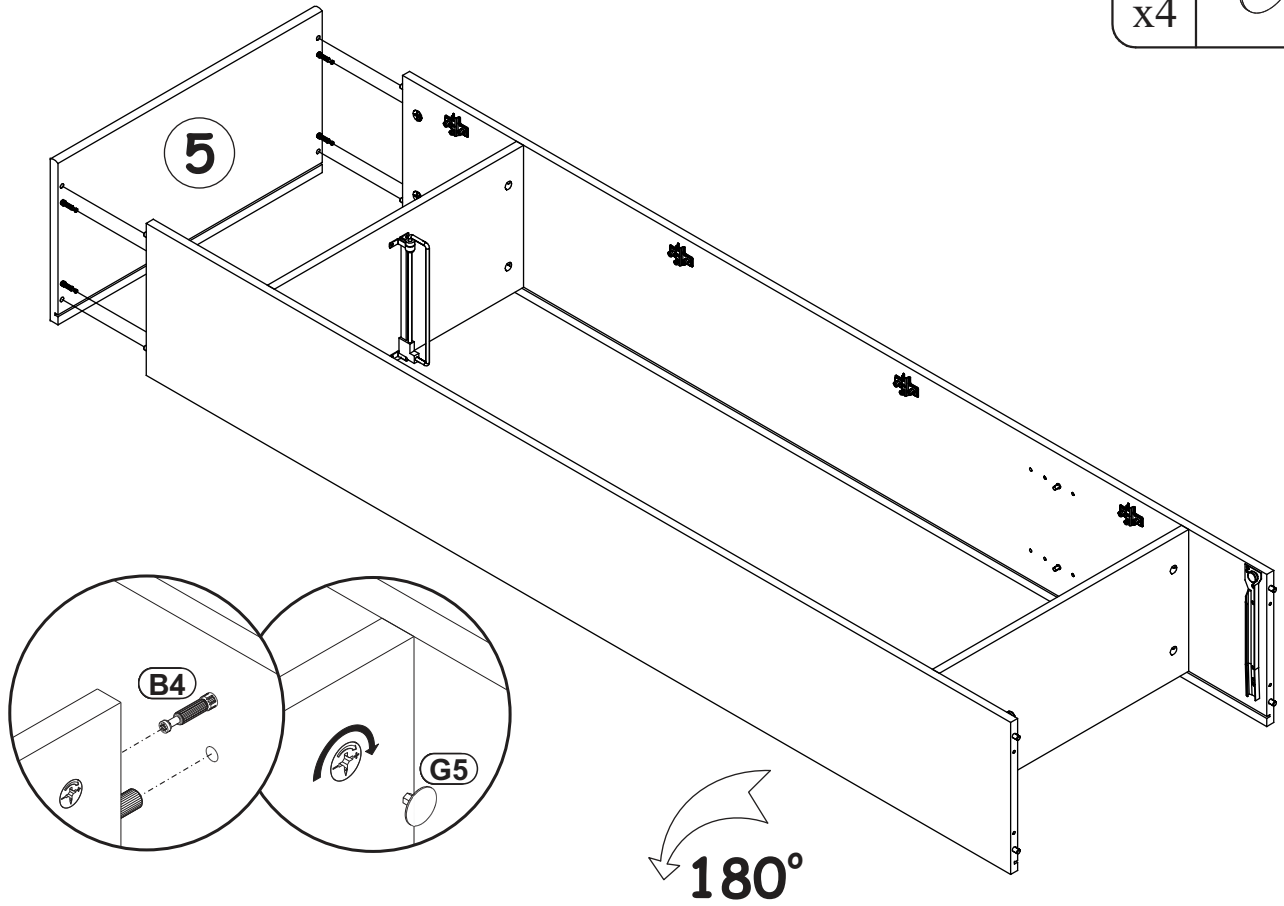
11

| | |
|----|---|
| G5 |  |
| x8 | |

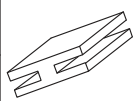


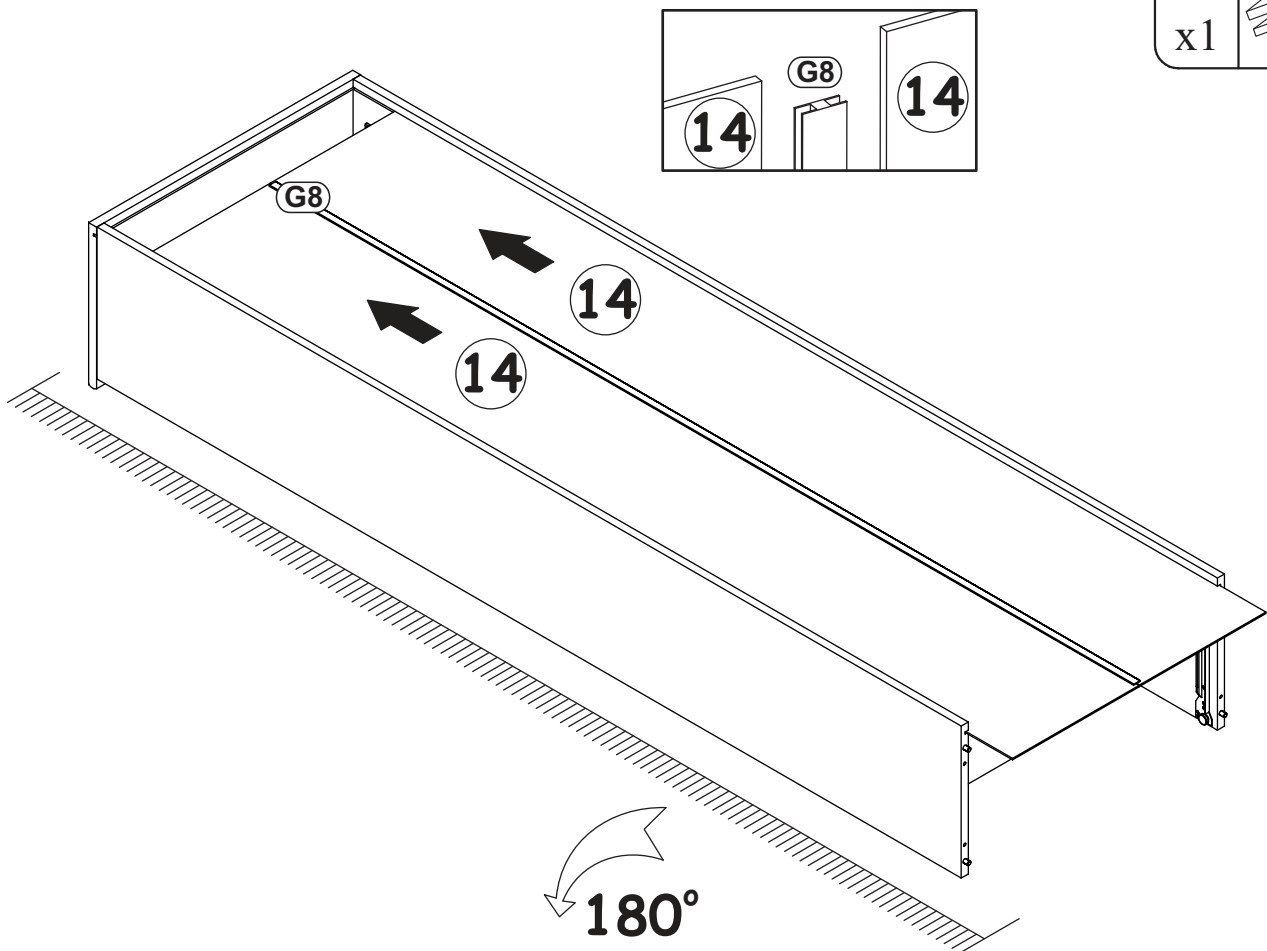
| | |
|----|---|
| G5 |  |
| x4 | |

12





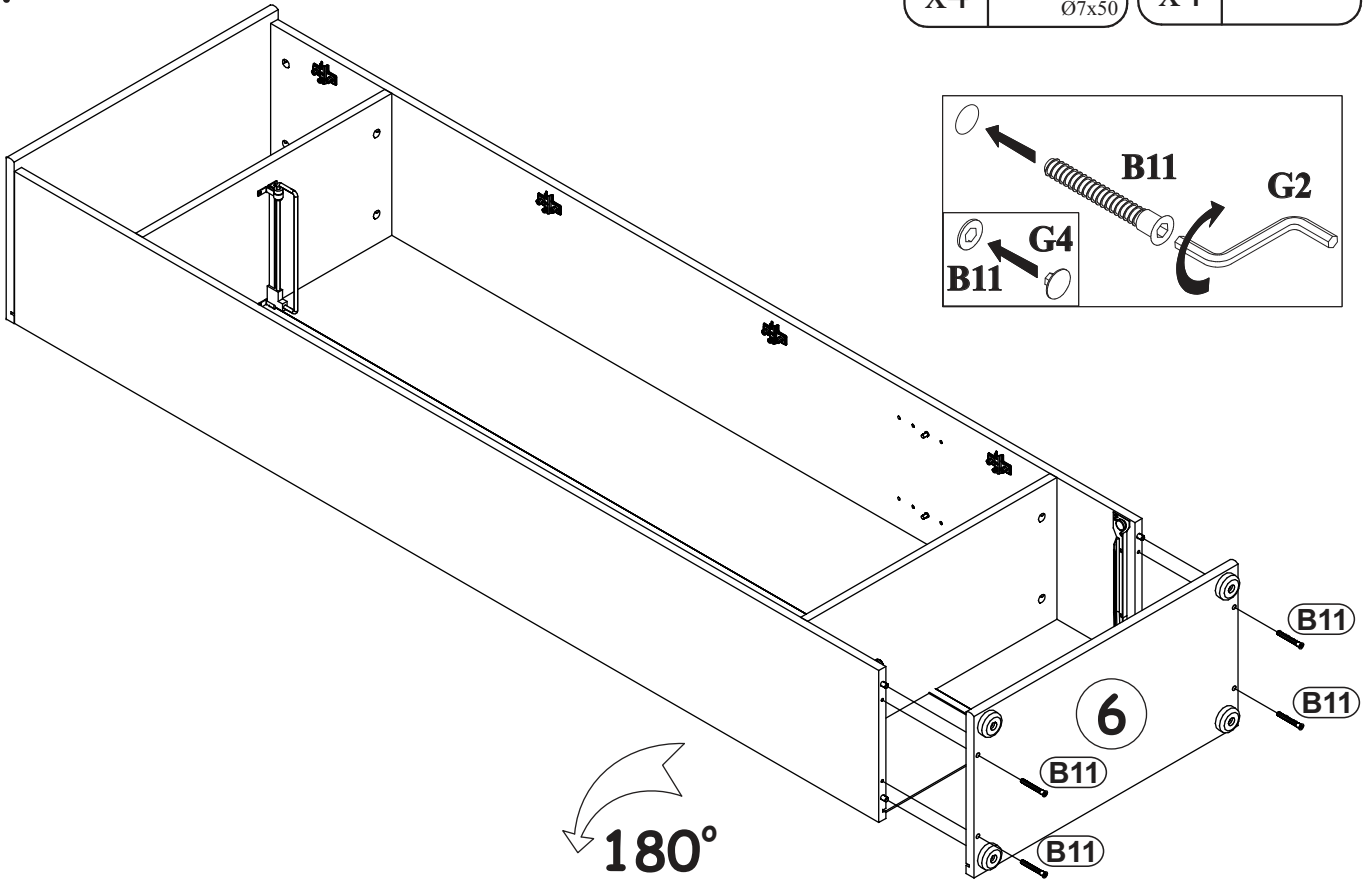
13

| | |
|----|---|
| G8 |  |
| x1 | |

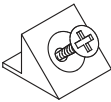



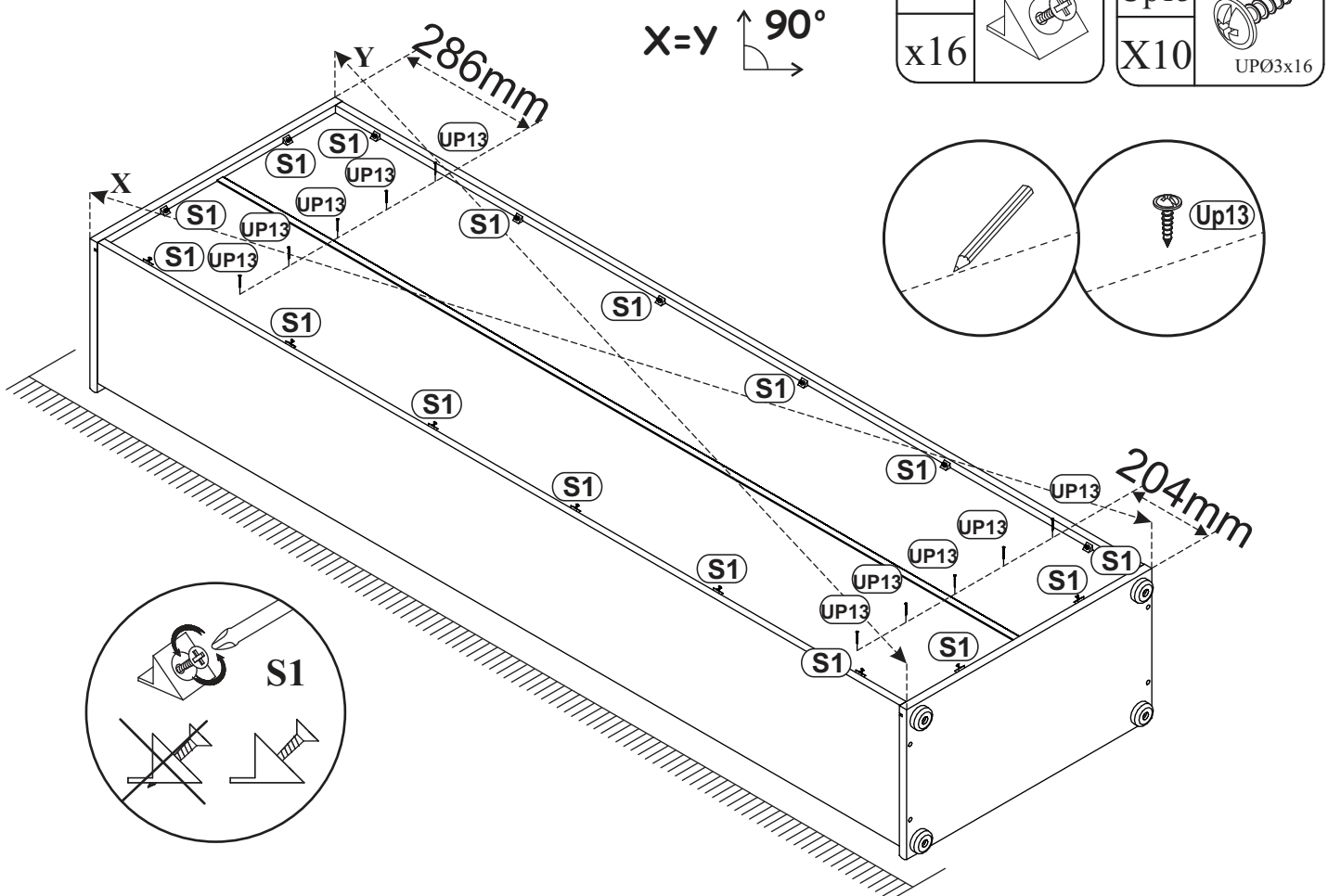
14

| | | | |
|-----|---|----|---|
| B11 |  | G4 |  |
| x4 | Ø7x50 | x4 | |

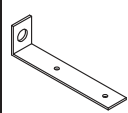


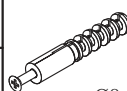
15

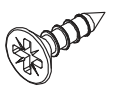
| | | | |
|-----|---|------|---|
| S1 |  | Up13 |  |
| x16 | | X10 | UPØ3x16 |

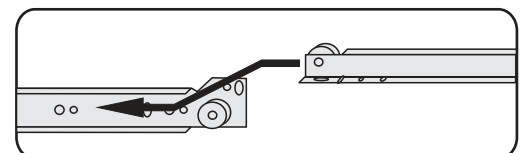
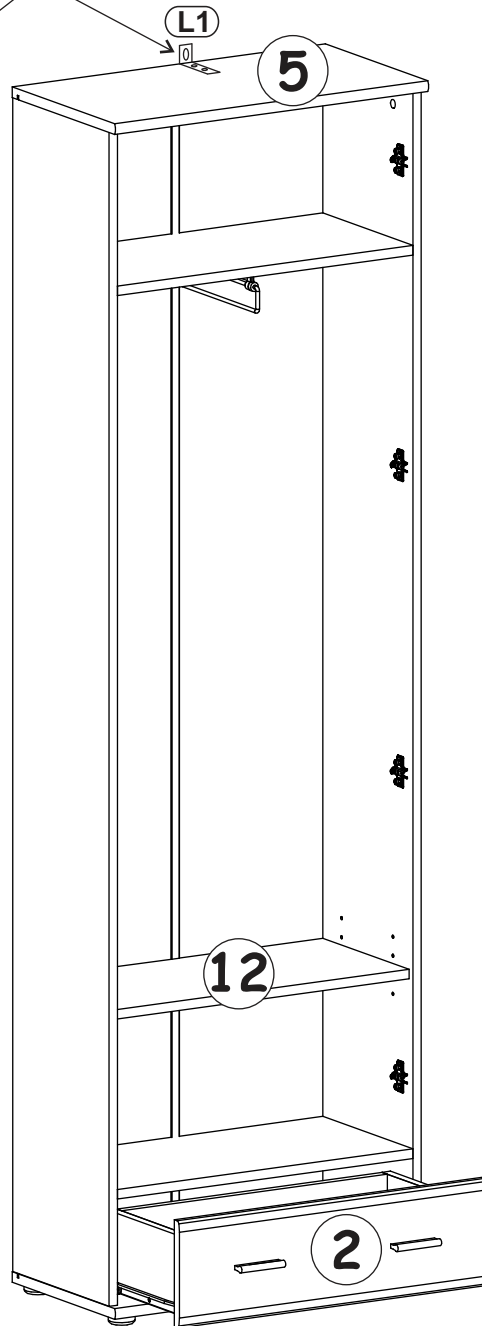
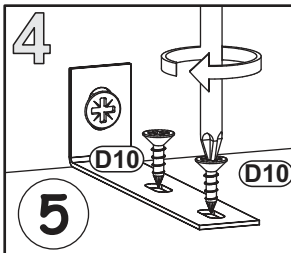
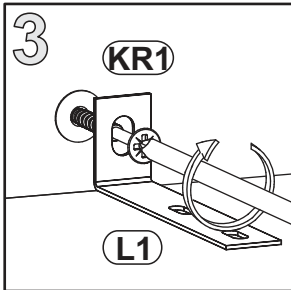
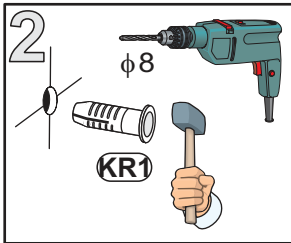
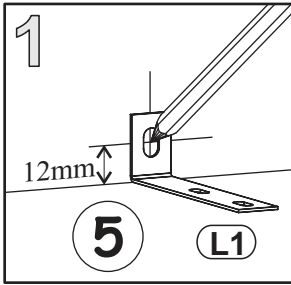
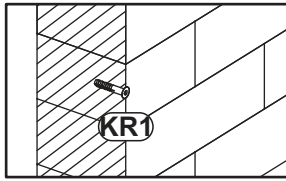
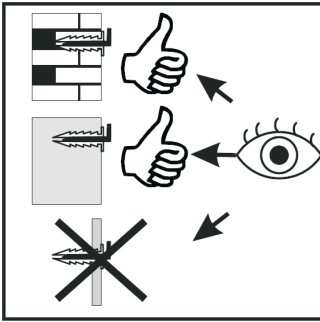


16

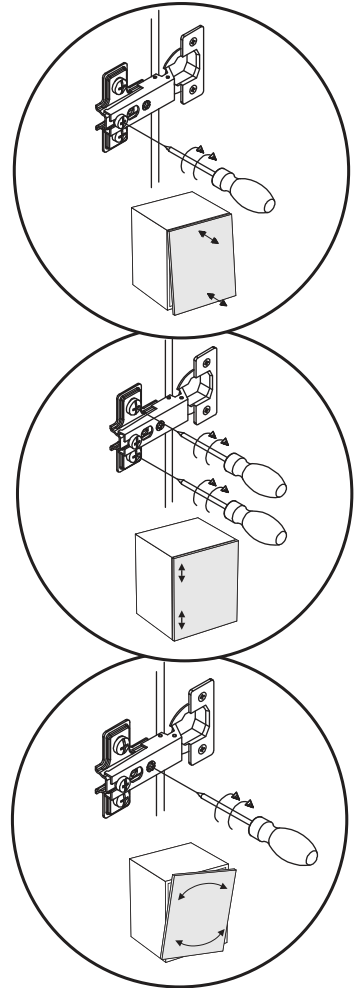
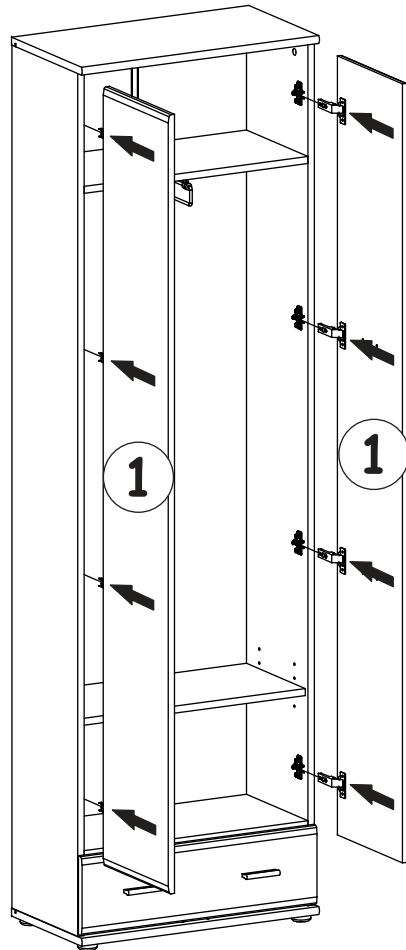
| | |
|----|---|
| L1 |  |
| x1 | |

| | |
|-----|---|
| KR1 |  |
| x1 | ø8 |

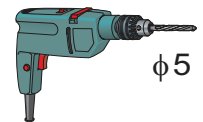
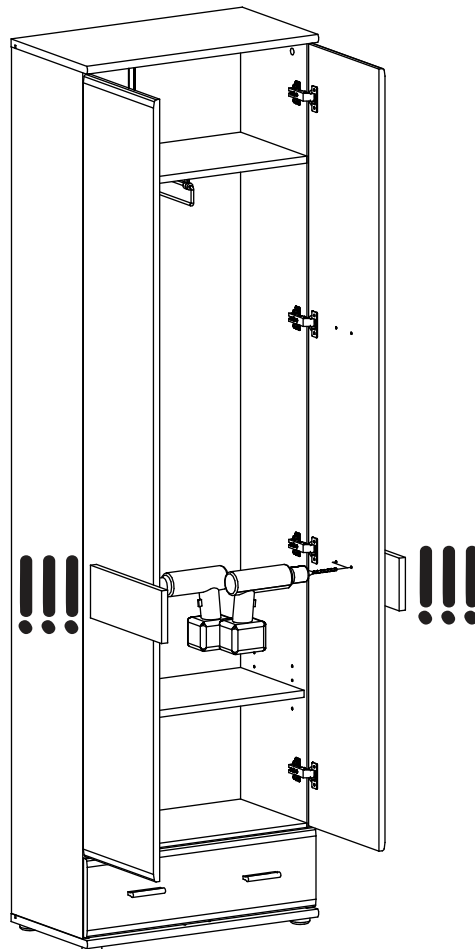
| | |
|-----|---|
| D10 |  |
| x2 | USØ3,5x13 |



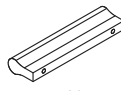
17

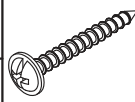



18

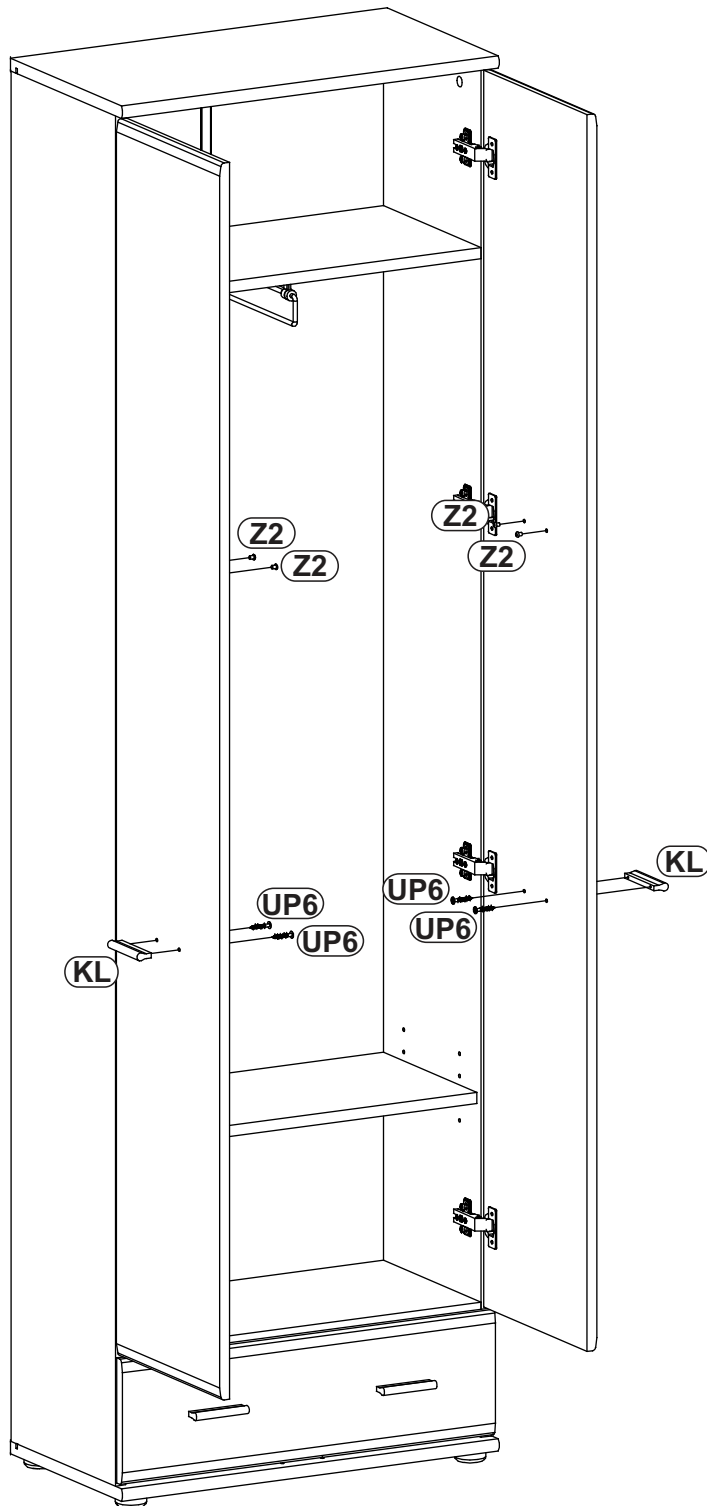
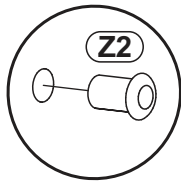


19

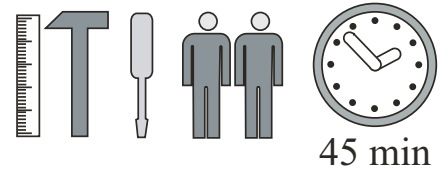
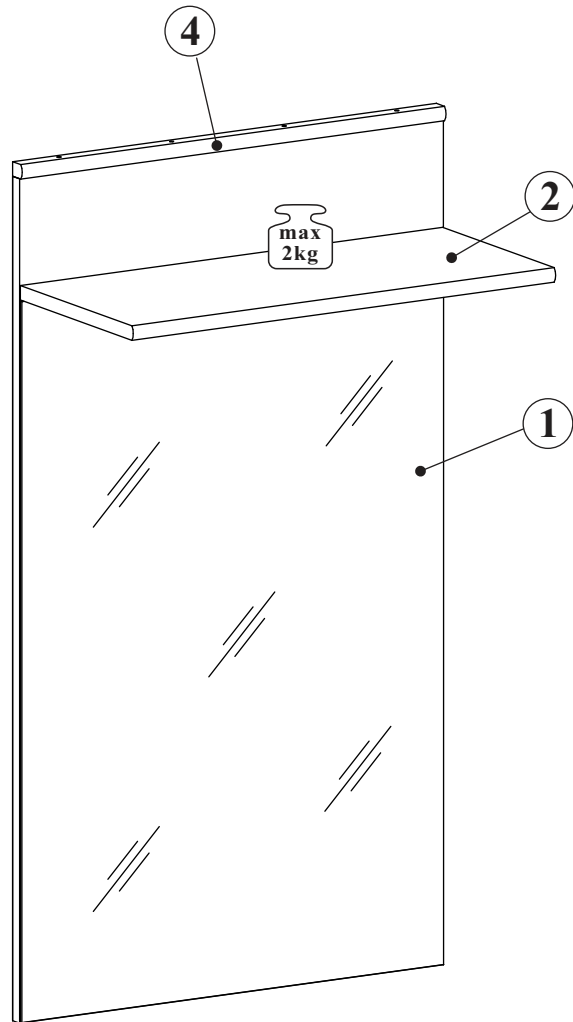
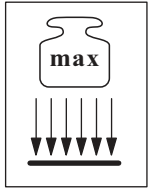
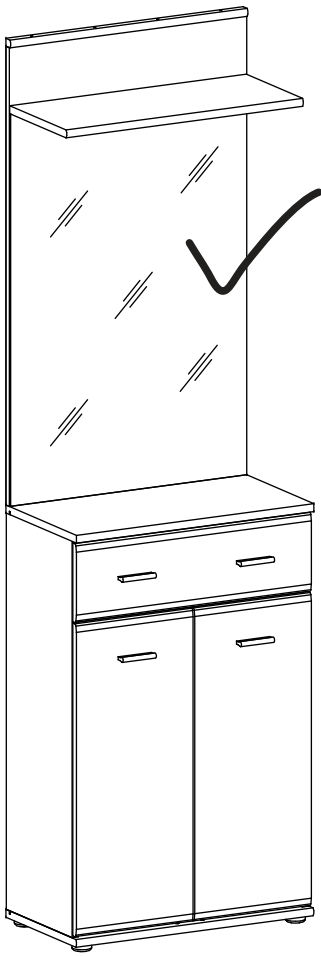
| | |
|----|--|
| KL |  |
| x2 | L-64mm |

| | |
|-----|--|
| UP6 |  |
| x4 | UP04x30 |

| | |
|----|---|
| Z2 |  |
| x4 | Ø5 |



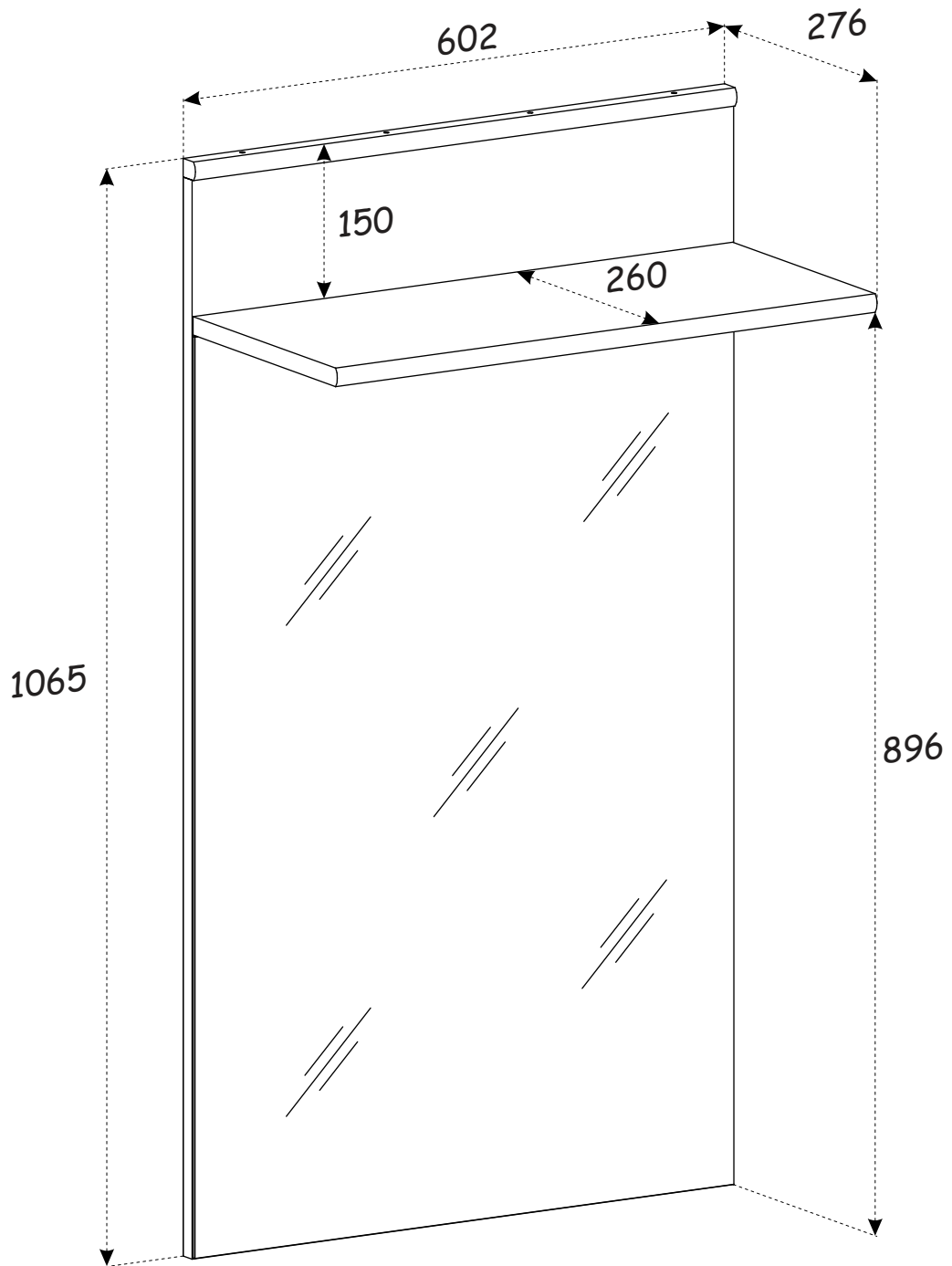
ARMARIO 1 ECO TYPE



45 min

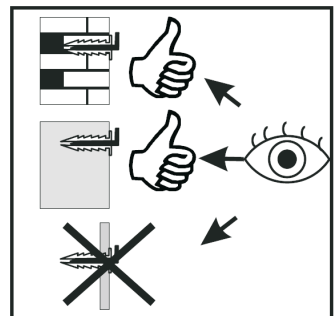
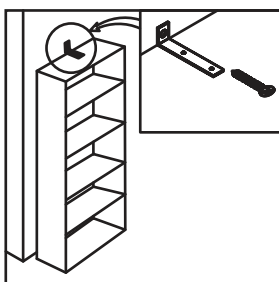
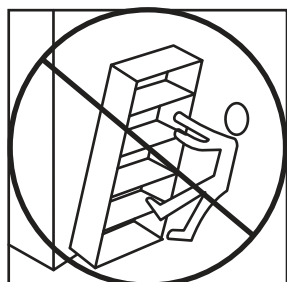
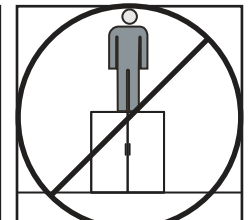
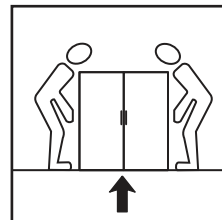
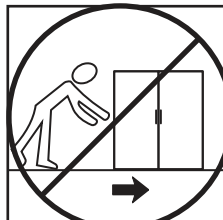
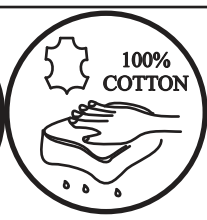
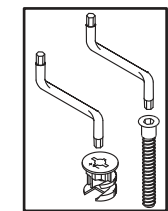
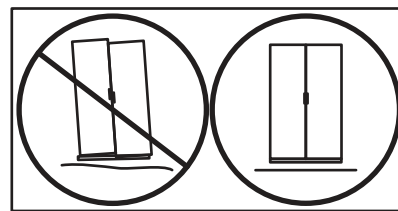
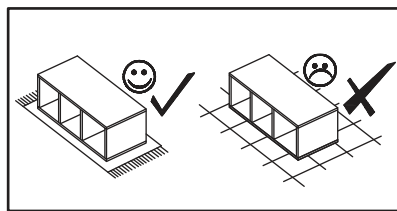
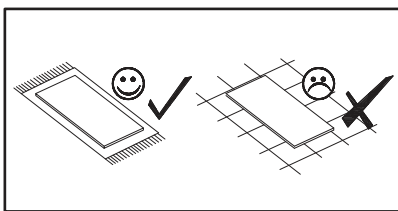
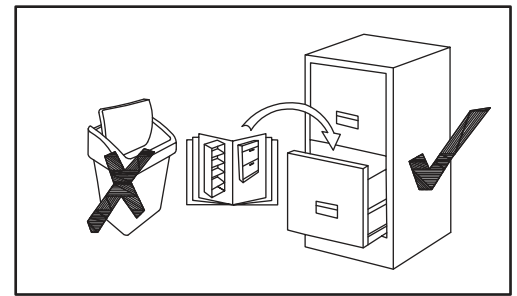
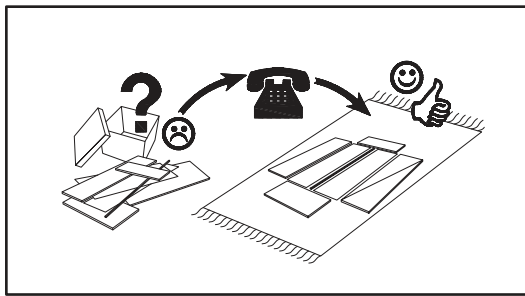
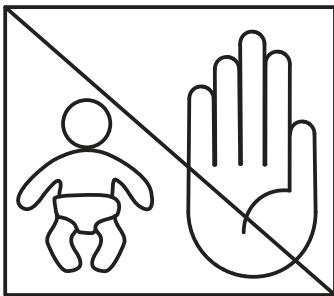
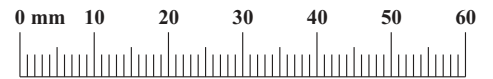
| NO | Dim. | | | Col.-No | Qty |
|----|------|-----|----|---------|-----|
| 1 | 1047 | 602 | 19 | 1 | 1 |
| 2 | 600 | 260 | 18 | 1 | 1 |
| 4 | 602 | 22 | 18 | 1 | 1 |

ARMARIO 1 ECO TYPE E



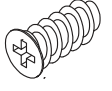
ARMARIO 1 ECO TYPE

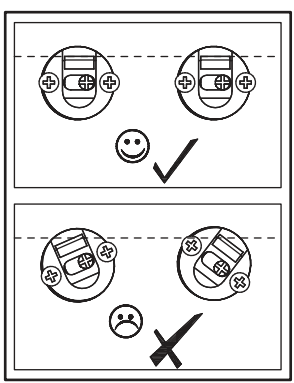
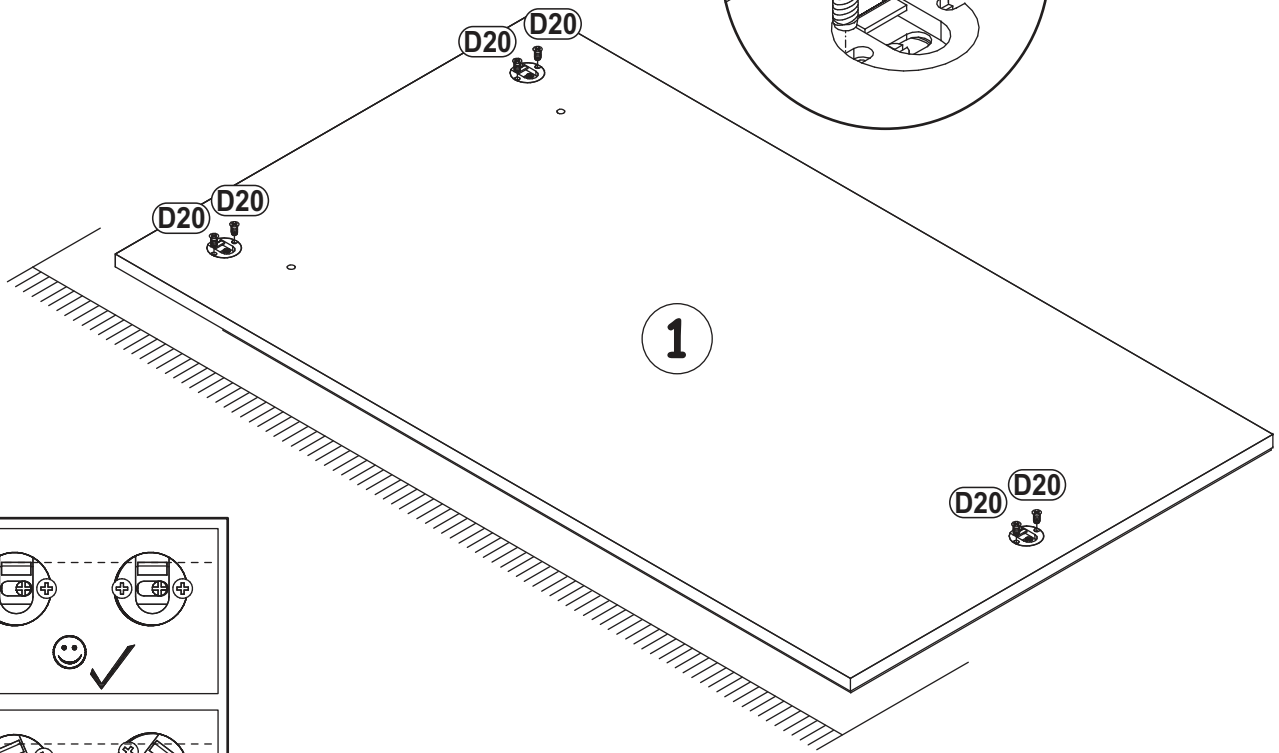
| | | | | | |
|-------------------|-----------------------|-----------------------|--------------------|----------|-----------------|
| A1 x3 ø8x36 | D20 x6 ESØ6x9,5 | UP16 x4 UPØ4x35 | B11 x2 Ø7x50 | G4 x2 | KR2 x3 Ø8 |
| G2 x1 | | | | | |



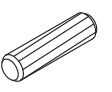
ARMARIO 1 ECO TYPE

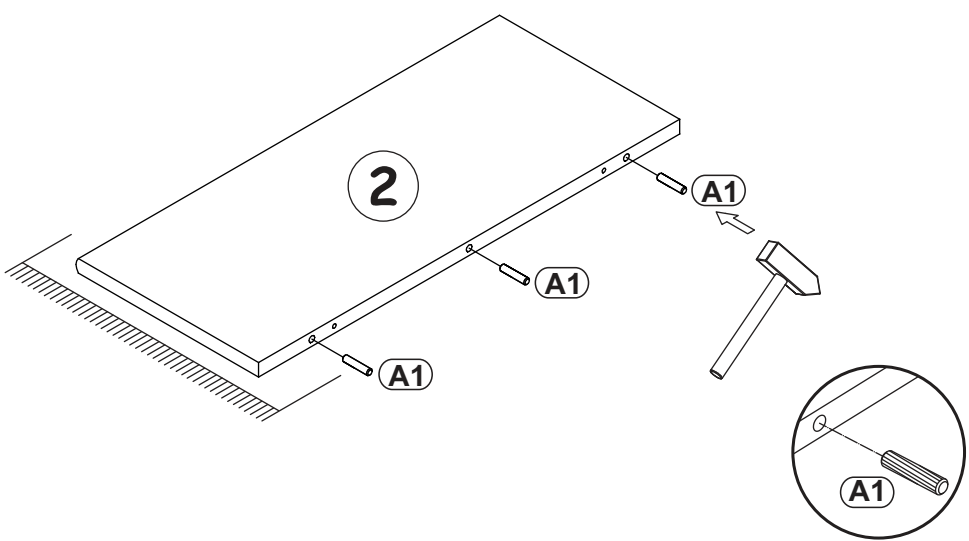
1

| | |
|-----|---|
| D20 |  |
| x6 | ESØ6x9,5 |



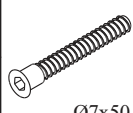

2

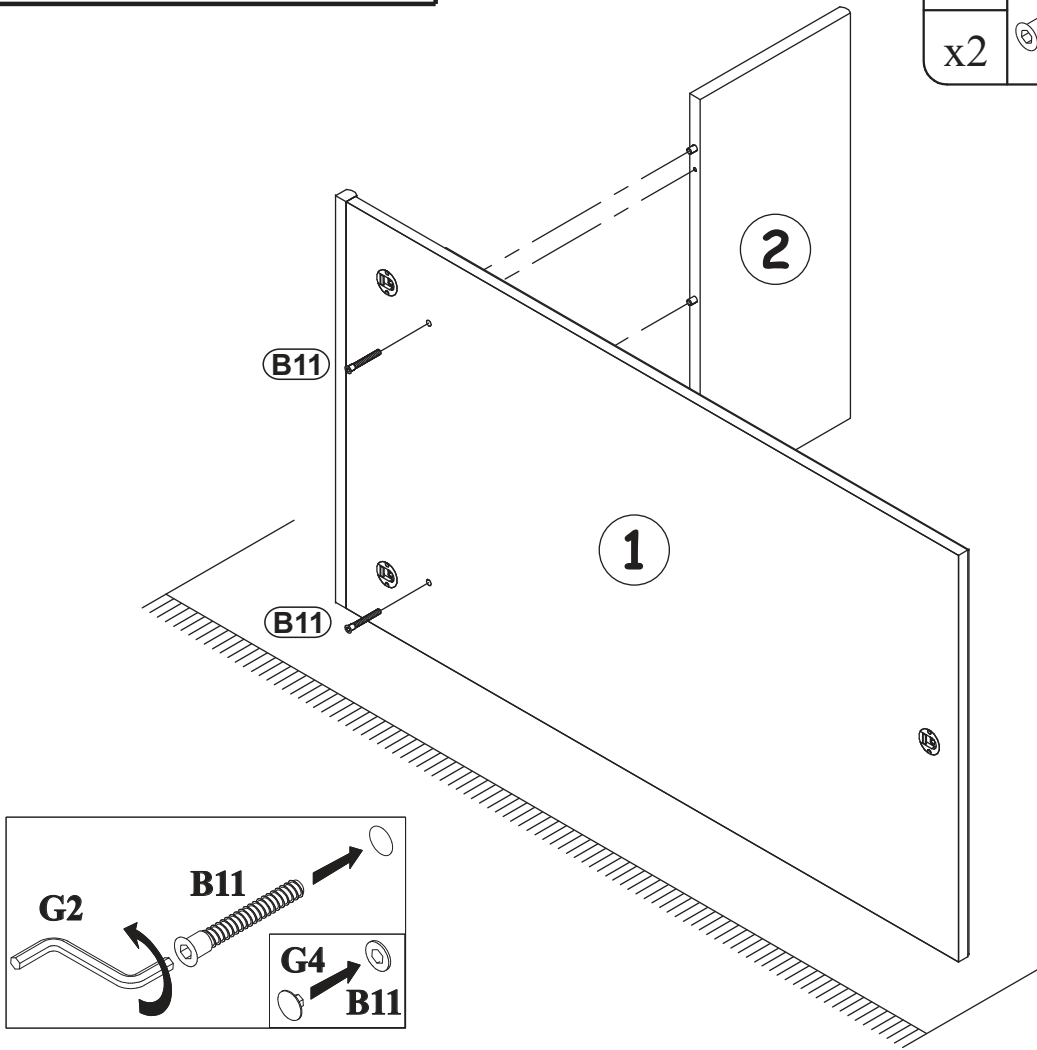
| | |
|----|---|
| A1 |  |
| x3 | ø8x36 |



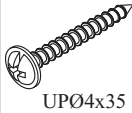
ARMARIO 1 ECO TYPE

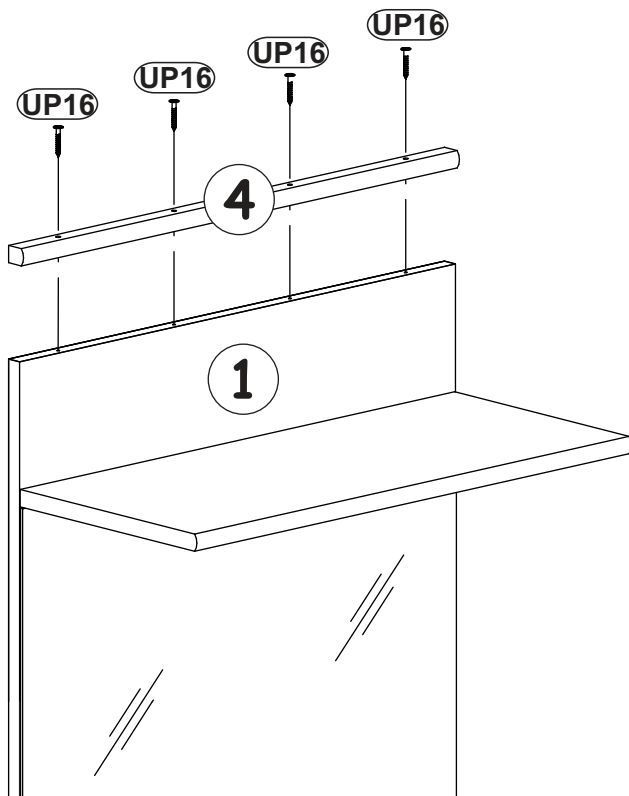
3

| | | | |
|-----|--|----|---|
| B11 |  | G4 |  |
| x2 | Ø7x50 | x2 | |



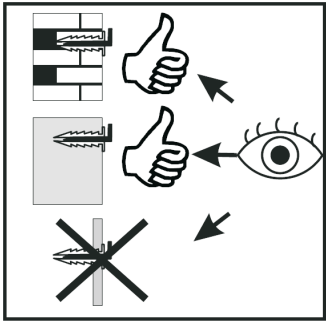
4

| | |
|------|---|
| UP16 |  |
| x4 | UPØ4x35 |



ARMARIO 1 ECO TYPE

5



432 mm

KR2

KR2

927 mm

216 mm

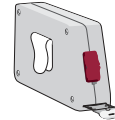
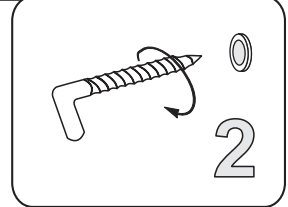
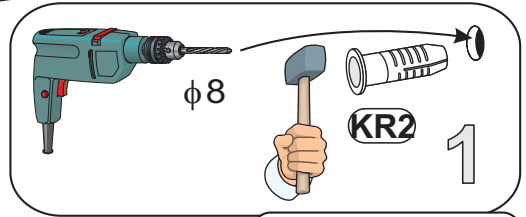
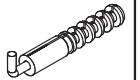
KR2

TYP G

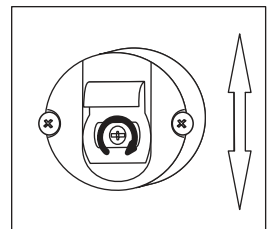
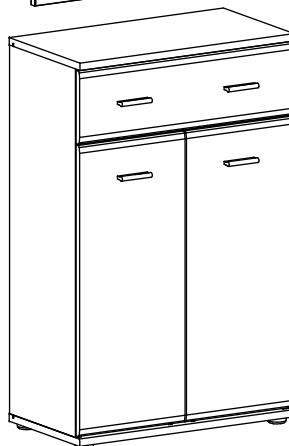
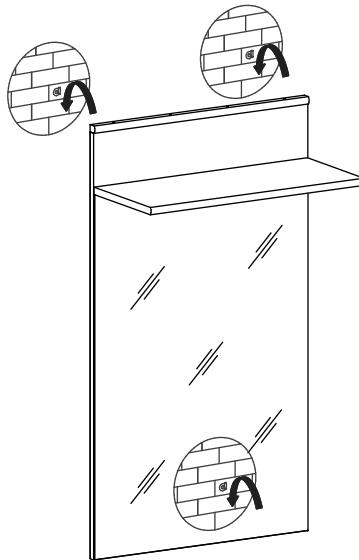
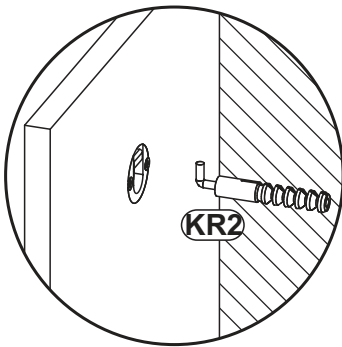
KR2

x3

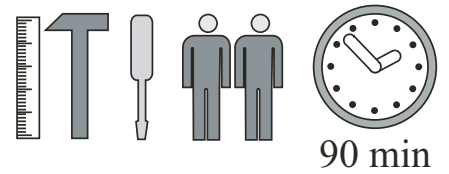
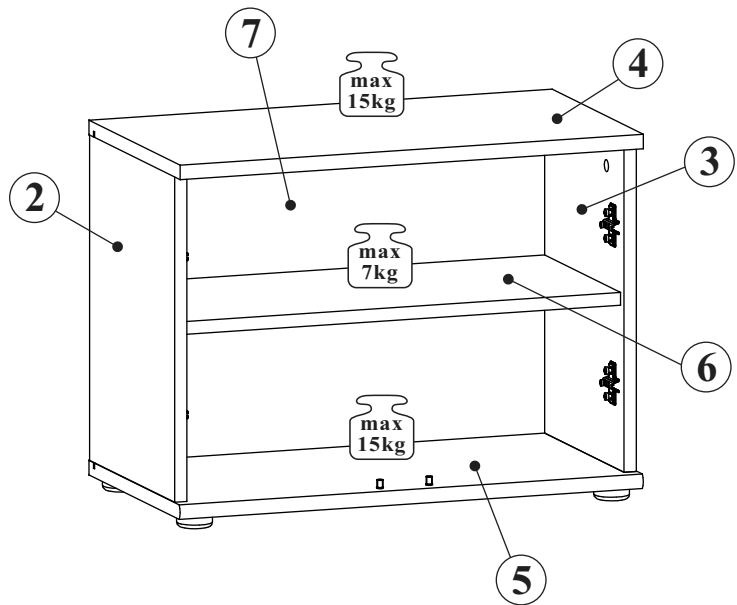
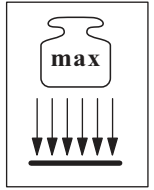
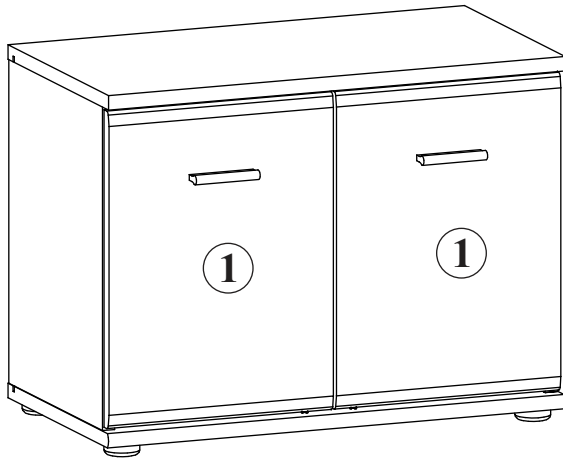
Ø8



6

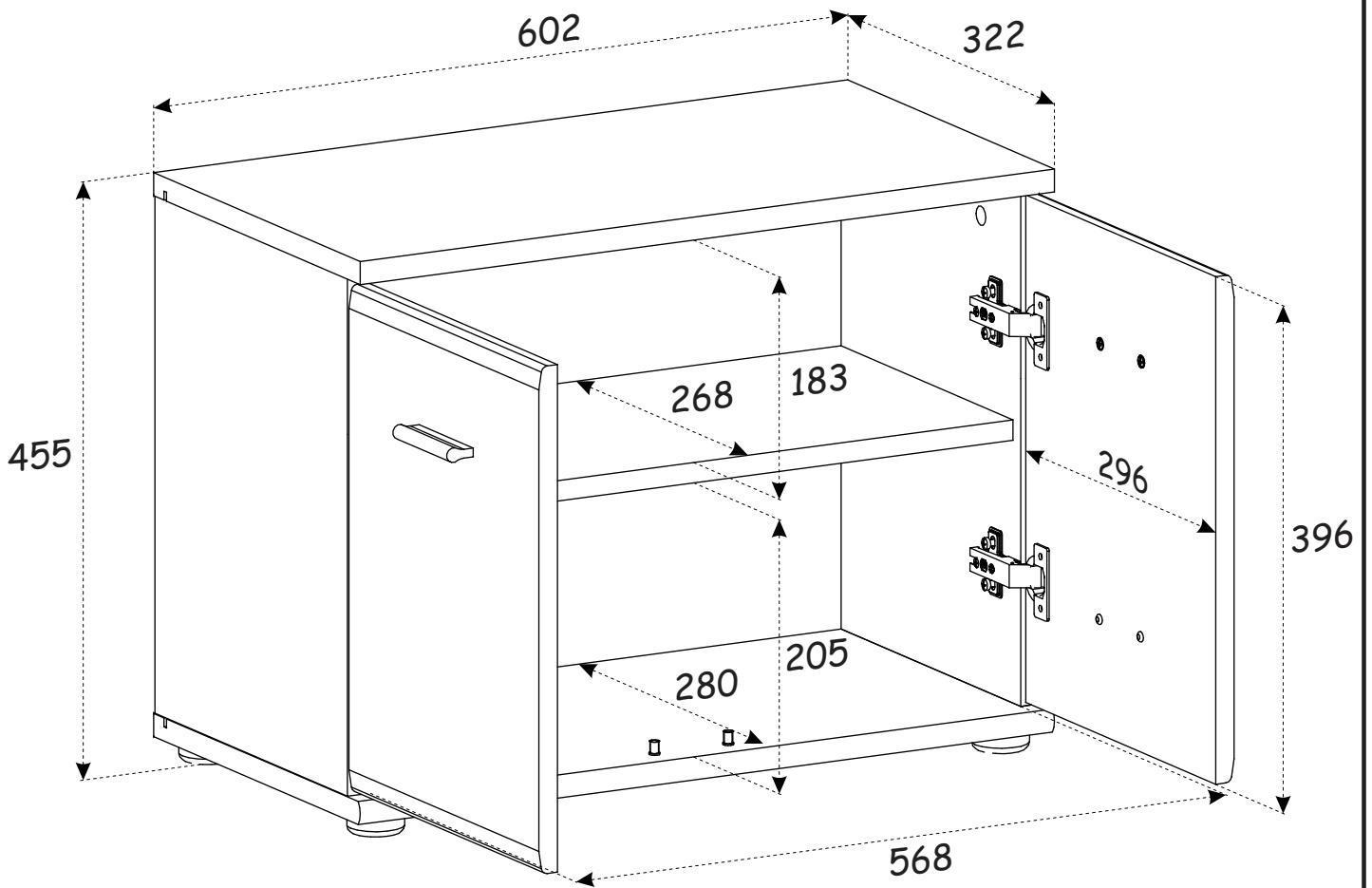


ARMARIO 1 ECO TYP F



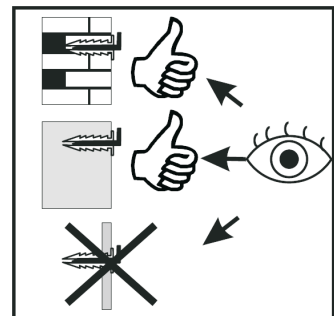
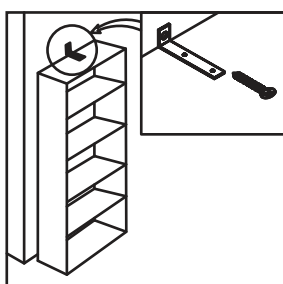
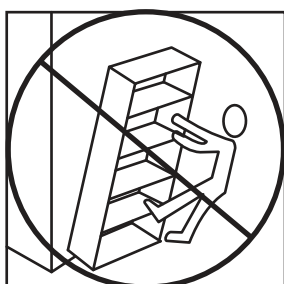
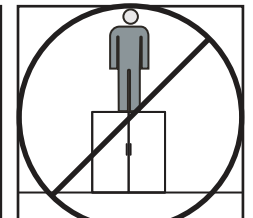
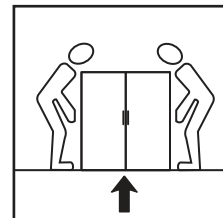
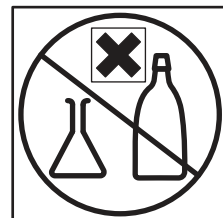
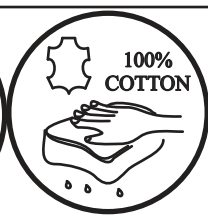
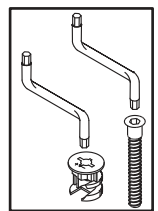
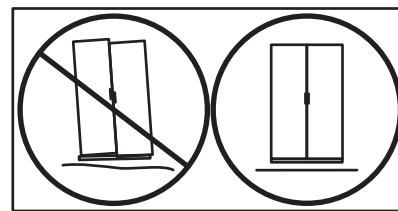
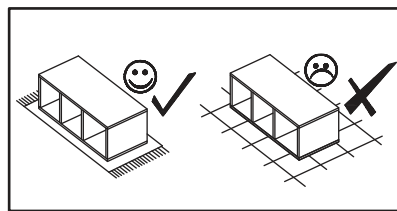
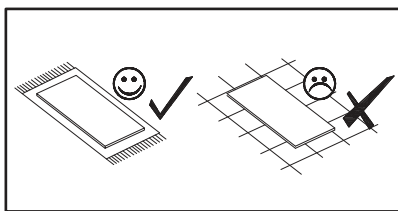
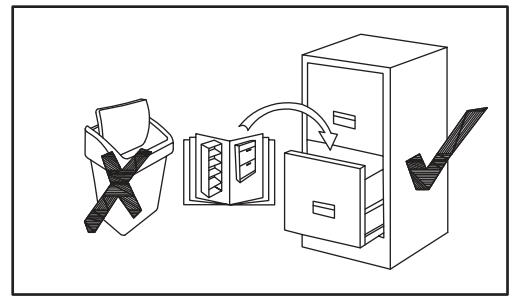
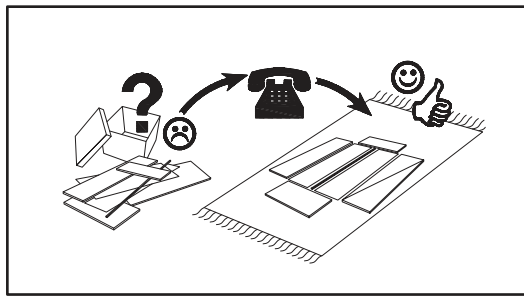
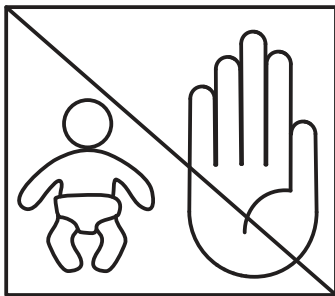
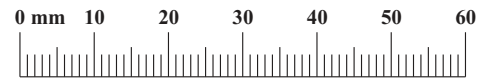
| NO | Dim. | | | Col.-No | Qty |
|----|------|-----|----|---------|-----|
| 1 | 396 | 296 | 16 | 1 | 2 |
| 2 | 404 | 300 | 16 | 1 | 1 |
| 3 | 404 | 300 | 16 | 1 | 1 |
| 4 | 602 | 322 | 18 | 1 | 1 |
| 5 | 602 | 322 | 18 | 1 | 1 |
| 6 | 568 | 268 | 16 | 1 | 1 |
| 7 | 415 | 578 | 3 | 1 | 1 |

ARMARIO 1 ECO TYP F



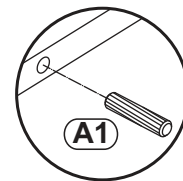
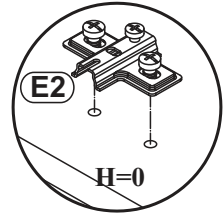
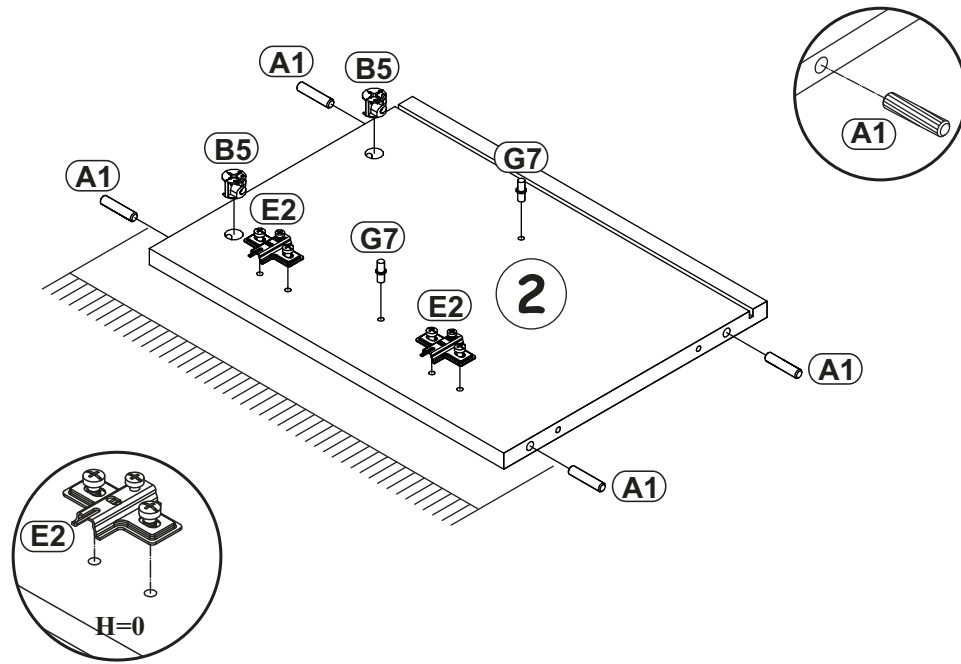
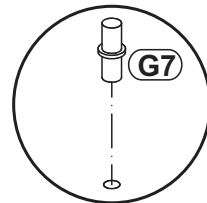
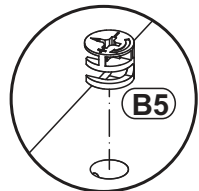
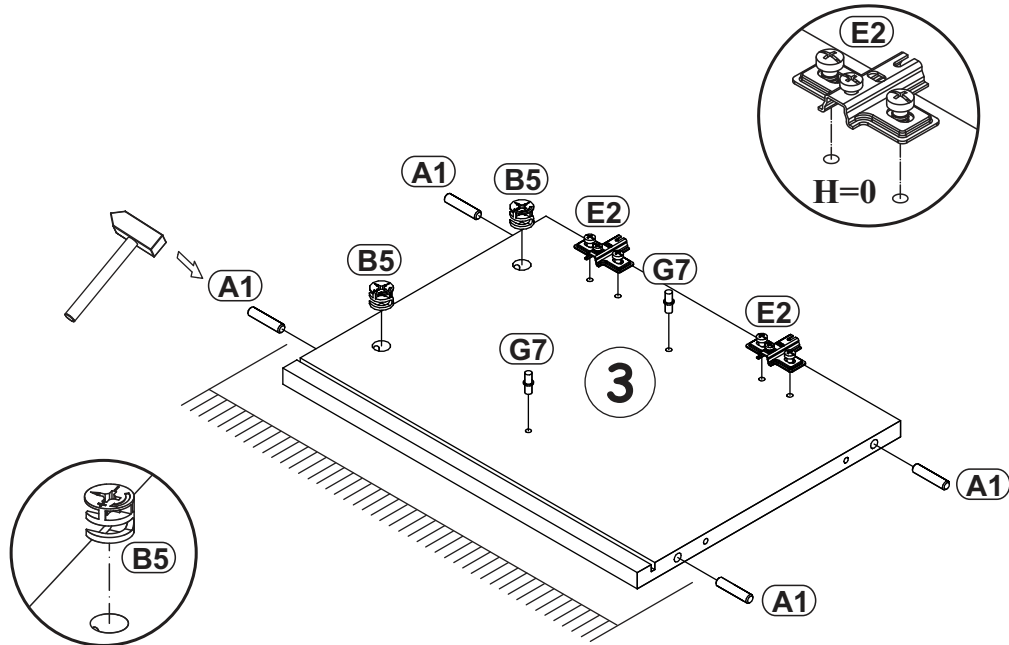
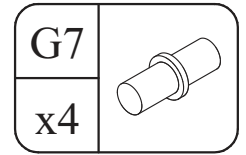
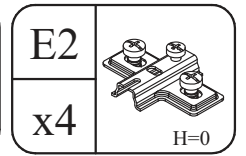
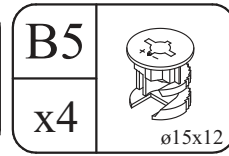
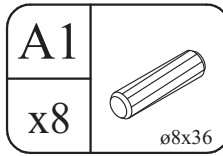
ARMARIO 1 ECO TYP F

| | | | | | |
|------------------------|-----------------------|-------------------------|--------------------|----------------------|----------------|
| A1 x8 ø8x36 | B4 x4 | B5 x4 ø15x12 | G5 x4 | B11 x4 Ø7x50 | G4 x4 |
| E1 x4 Ø26 H=0 | E2 x4 H=0 | D10 x10 USØ3,5x13 | KL x2 L-64mm | UP6 x4 UPØ4x30 | Z2 x4 Ø5 |
| I11 x4 | UP11 x4 UPØ4x20 | S1 x6 | G20 x2 | G7 x4 | G2 x1 |
| L1 x1 | KR1 x1 Ø8 | | | | |

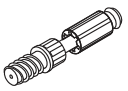


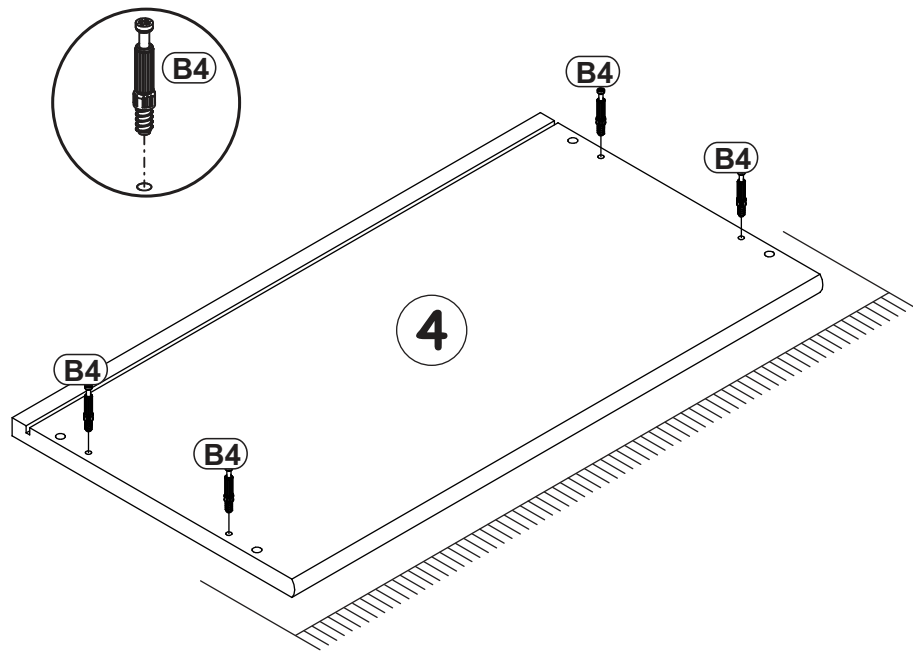
ARMARIO 1 ECO TYP F

1

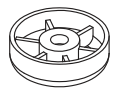



2

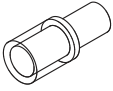
| | |
|----|---|
| B4 |  |
| x4 | |

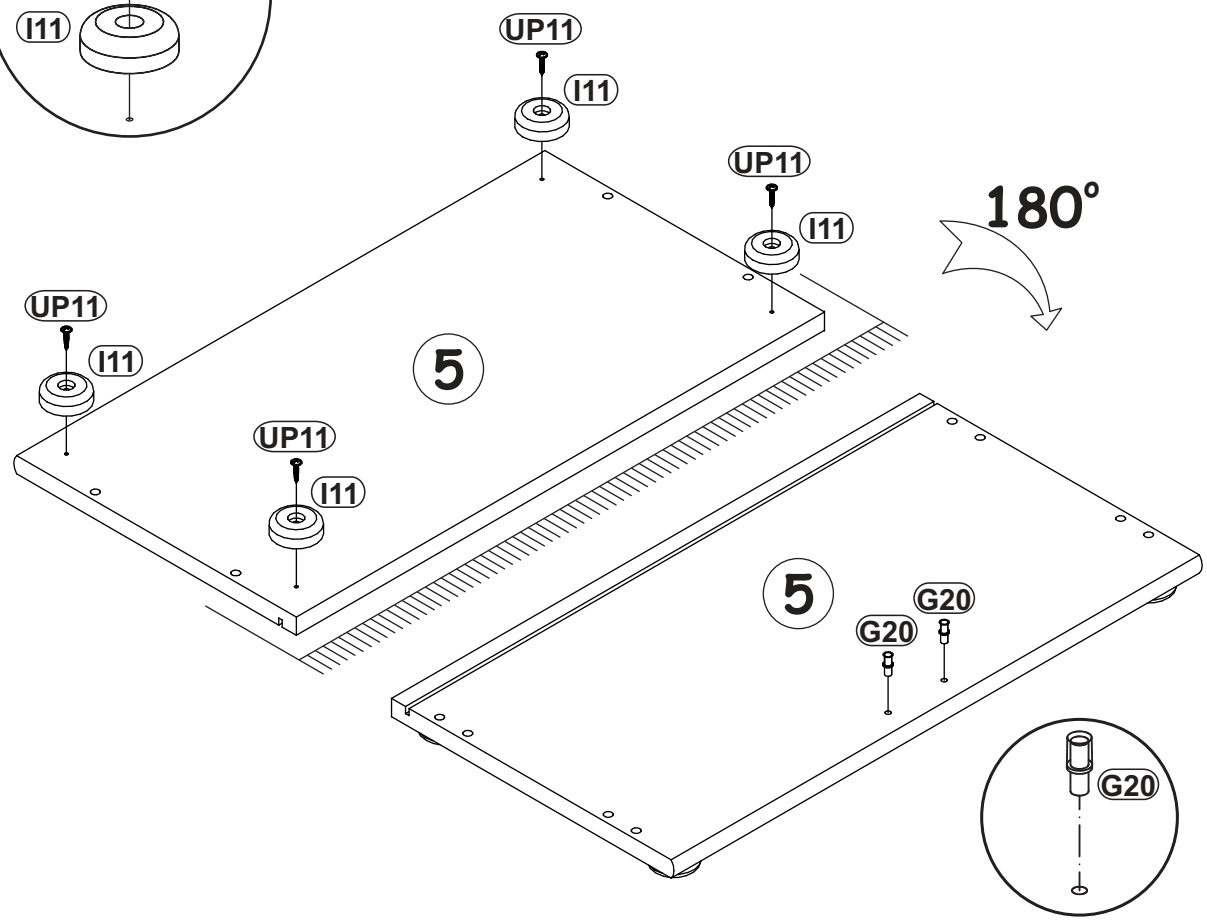
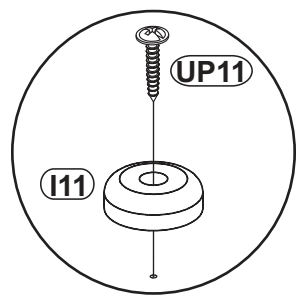


3

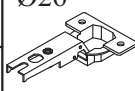
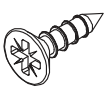
| | |
|-----|---|
| I11 |  |
| x4 | |

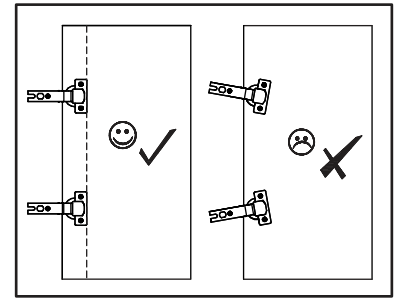
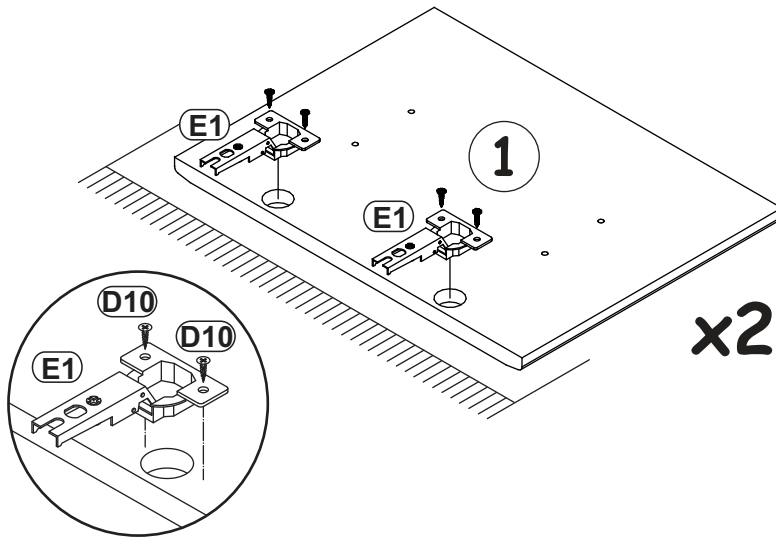
| | |
|------|--|
| UP11 |  |
| x4 | UPØ4x20 |

| | |
|-----|--|
| G20 |  |
| x2 | |





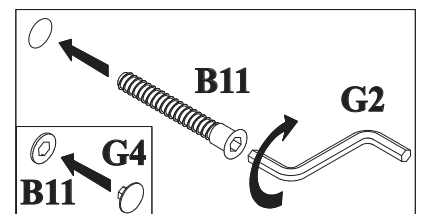
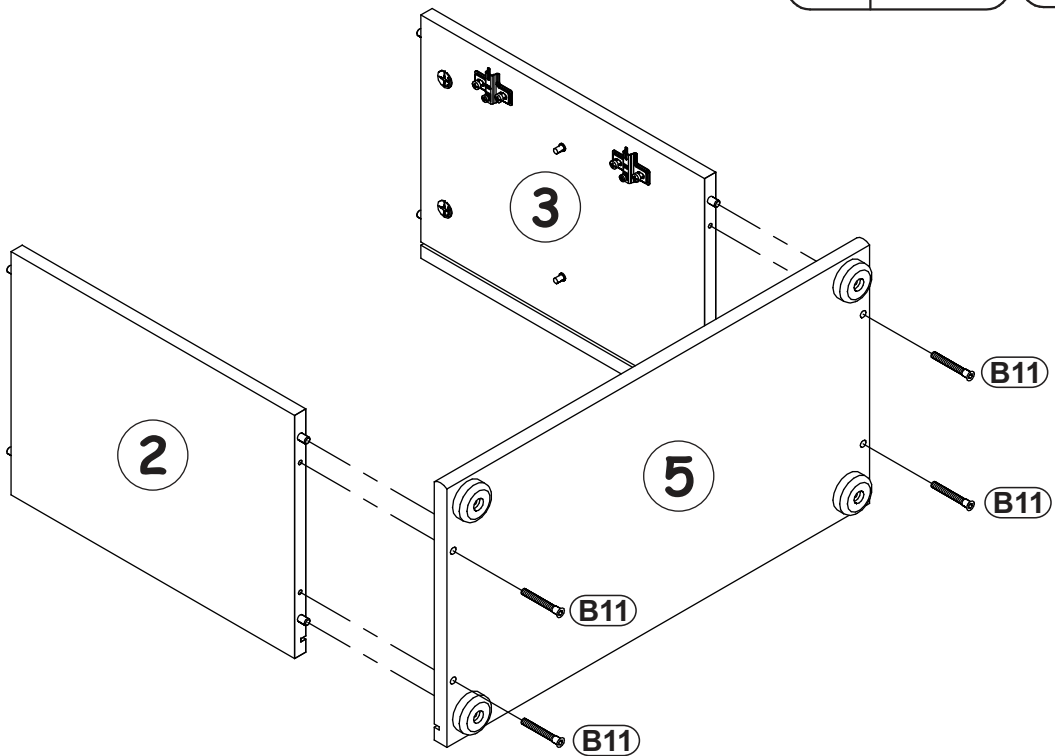
4

| | | | |
|----|--|-----|--|
| E1 | Ø26 | D10 | |
| x4 |  H=0 | x8 |  USØ3,5x13 |




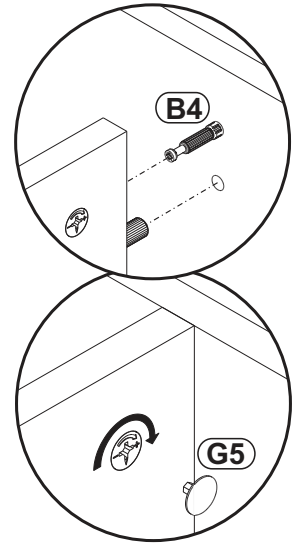
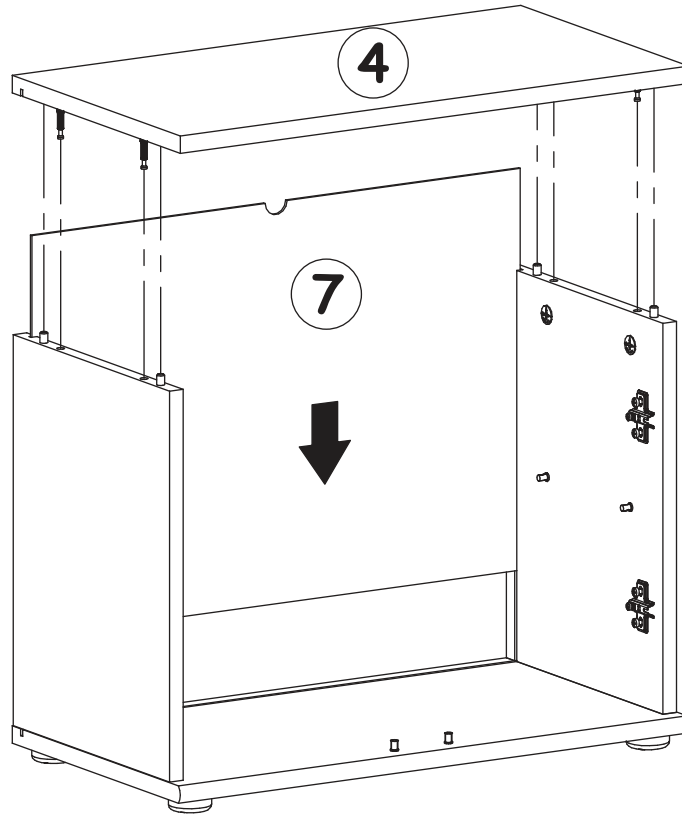
5

| | | | |
|-----|--|----|---|
| B11 | | G4 | |
| x4 |  Ø7x50 | x4 |  |




6

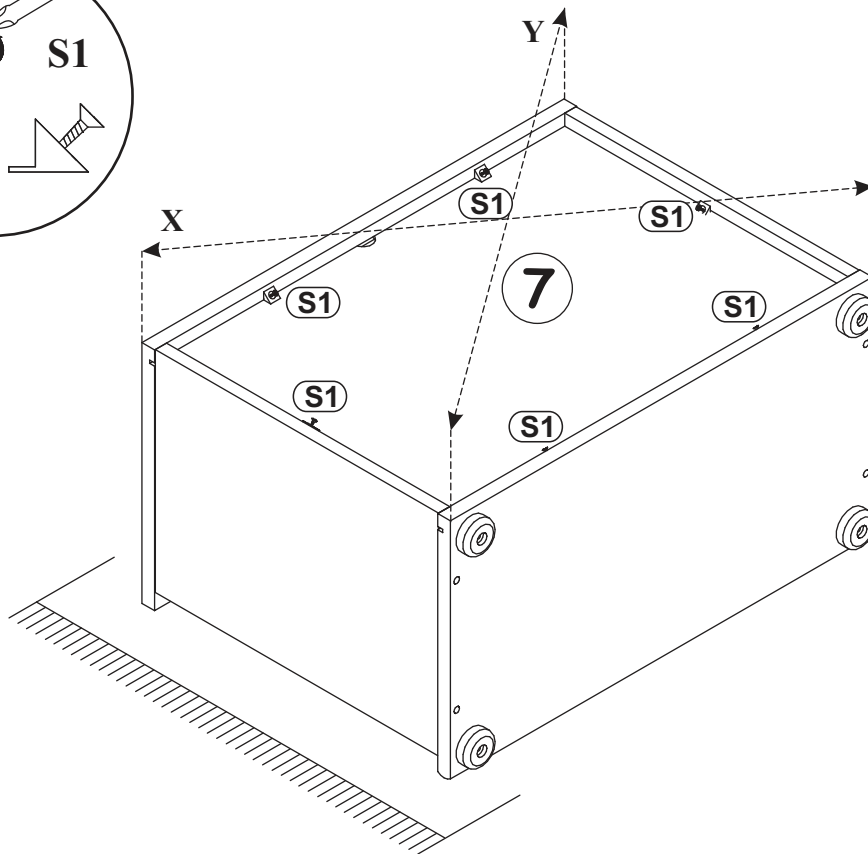
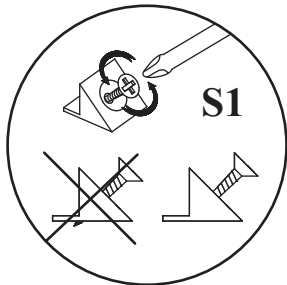
| | |
|----|---|
| G5 |  |
| x4 | |



7

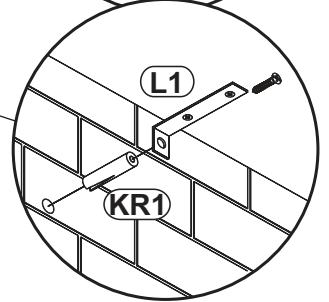
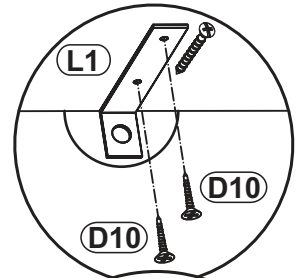
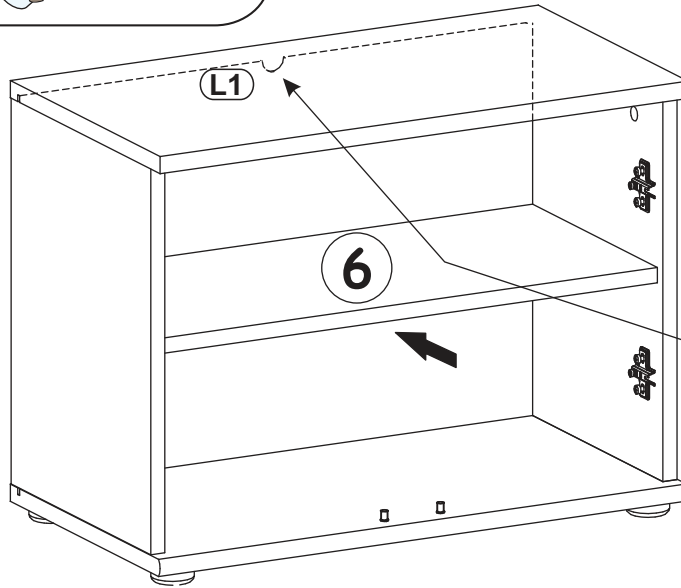
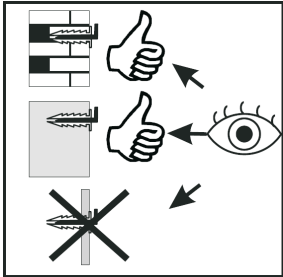
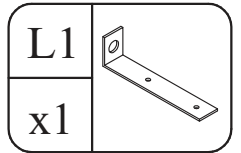
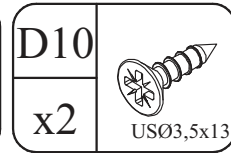
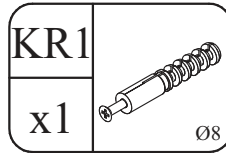
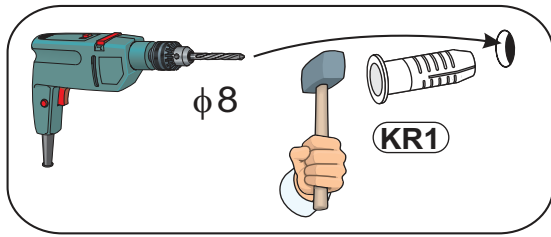
$X=Y$ \uparrow 90°

| | |
|----|---|
| S1 |  |
| x6 | |

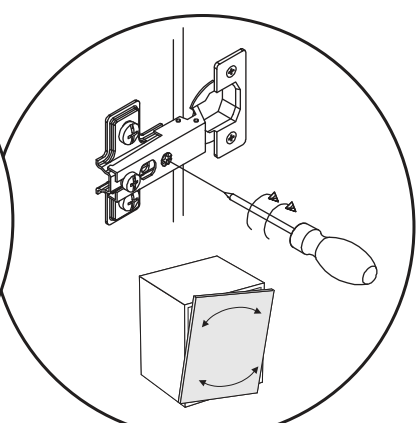
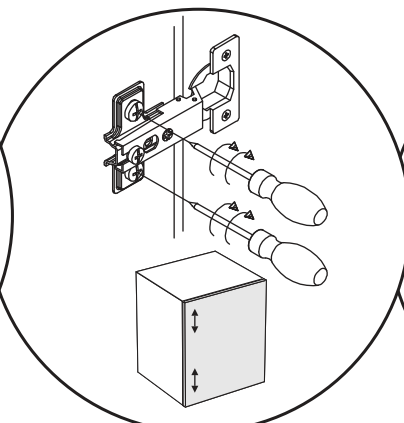
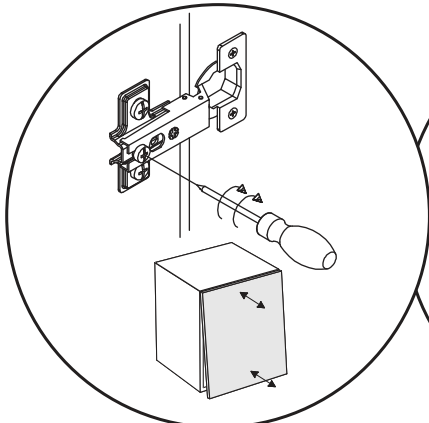
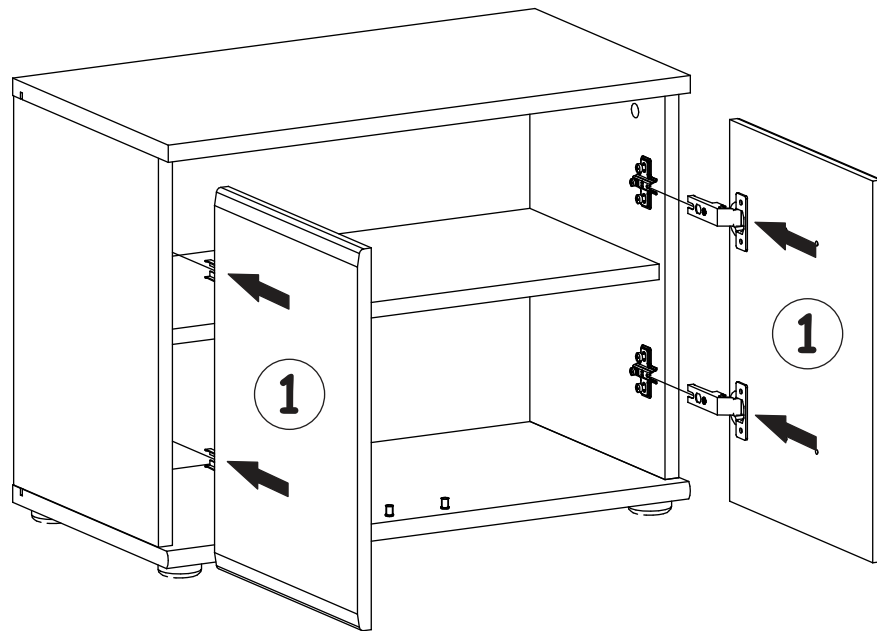


ARMARIO 1 ECO TYP F

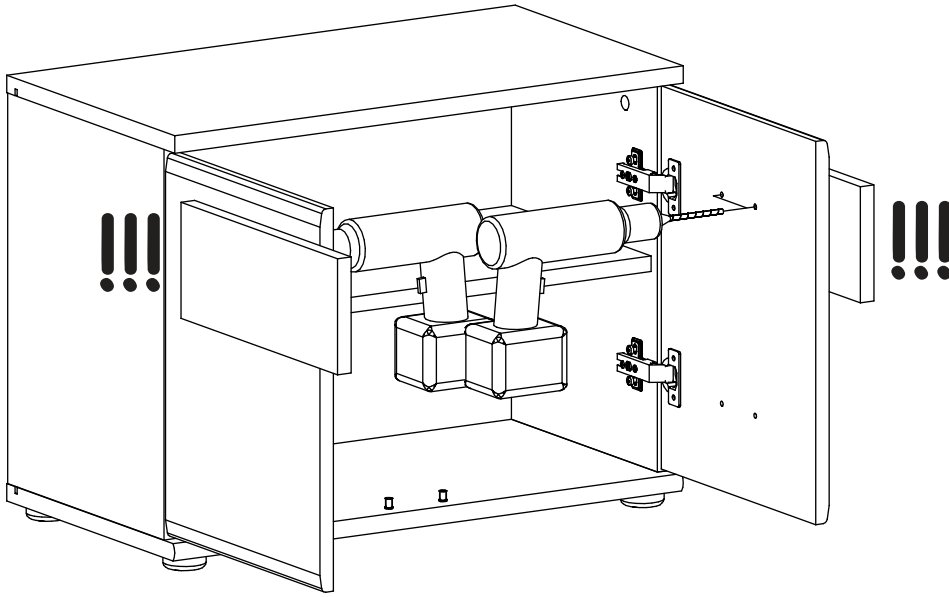
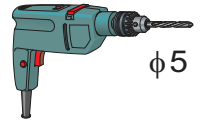
8



9

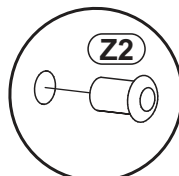
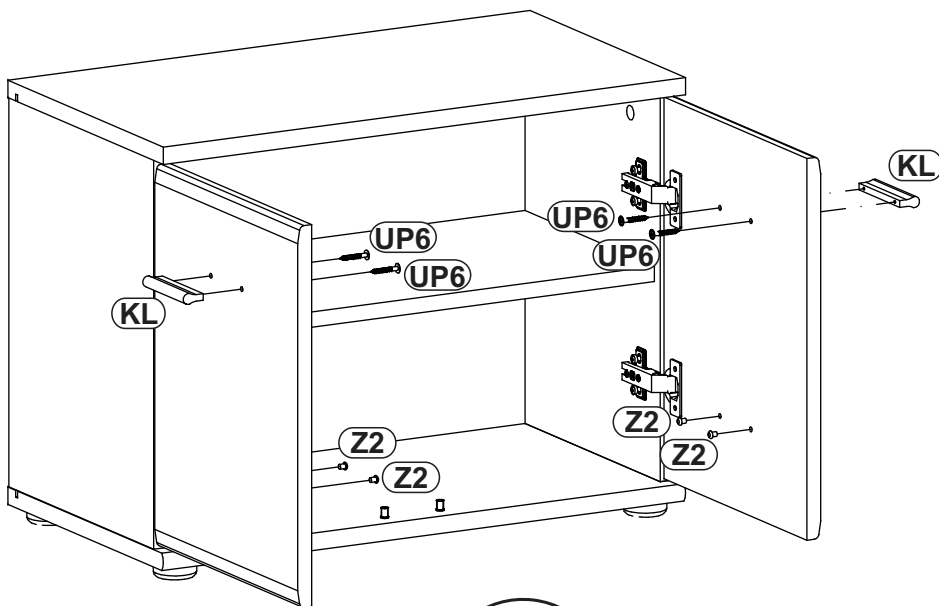


10

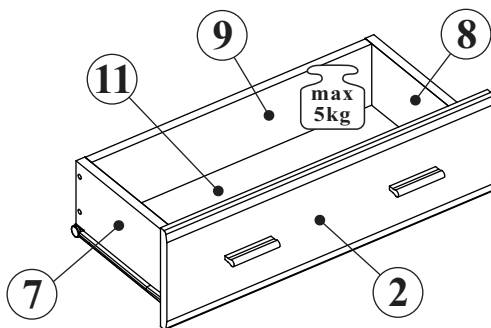
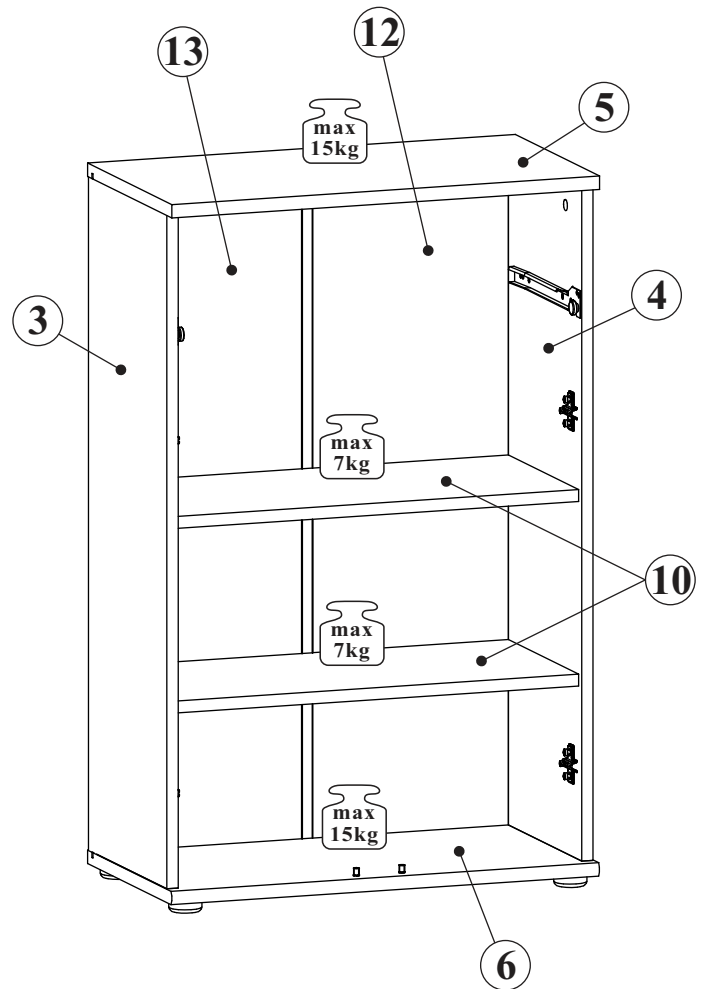
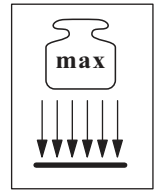
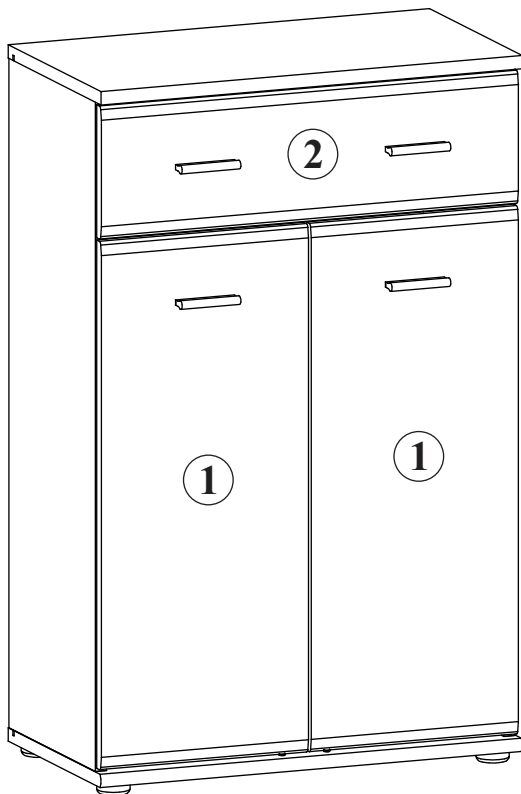


11

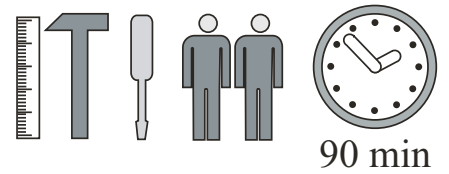
| | | | | | |
|----|--------|-----|---------|----|----|
| KL | | UP6 | | Z2 | |
| x2 | L-64mm | x4 | UPØ4x30 | x4 | Ø5 |



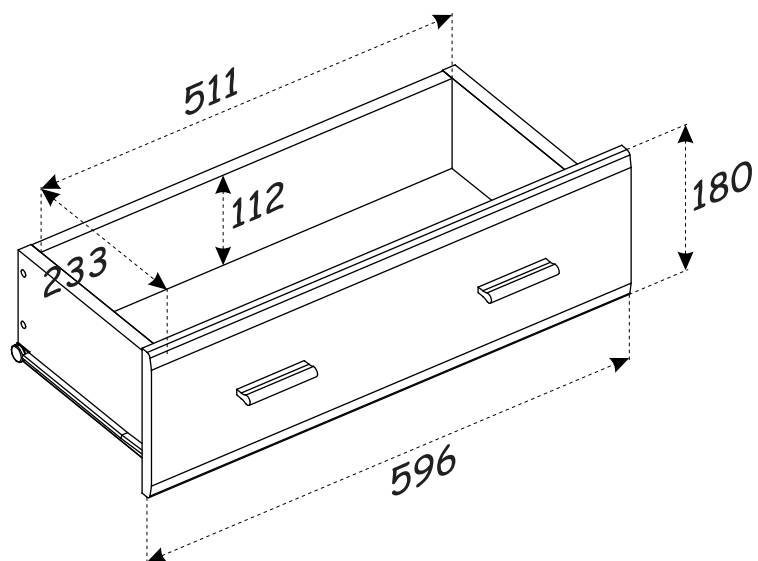
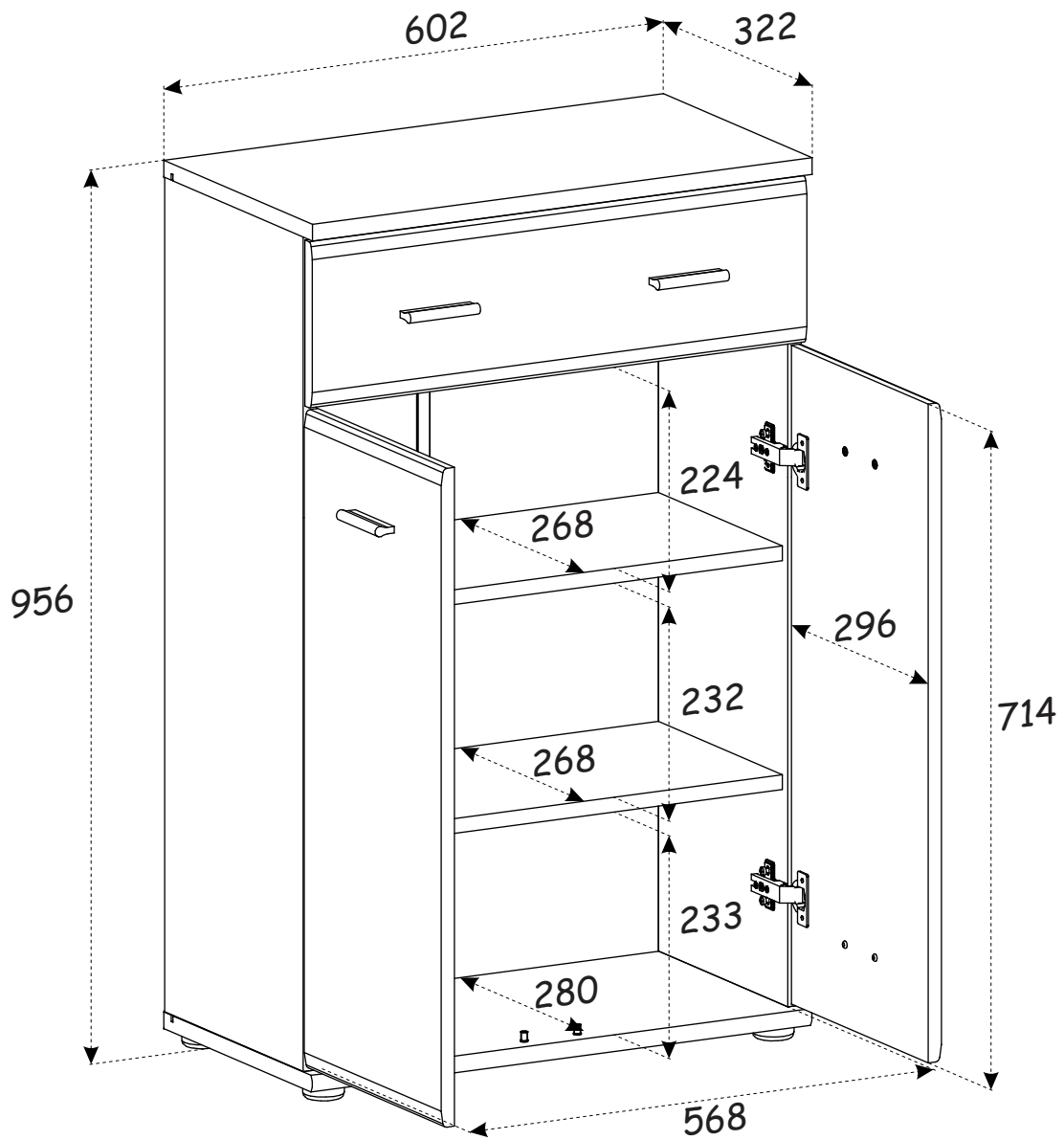
ARMARIO 1 ECO TYP G



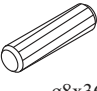
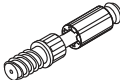
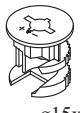



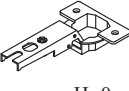
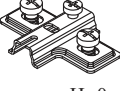

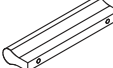


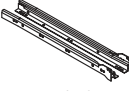


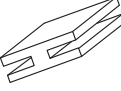
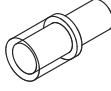
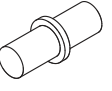
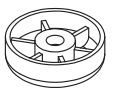


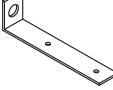
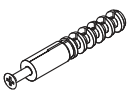

| NO | Dim. | | | Col.-No | Qty |
|----|------|-----|----|---------|-----|
| 1 | 714 | 296 | 16 | 1 | 2 |
| 2 | 596 | 180 | 16 | 1 | 1 |
| 3 | 905 | 300 | 16 | 1 | 1 |
| 4 | 905 | 300 | 16 | 1 | 1 |
| 5 | 602 | 322 | 18 | 1 | 1 |
| 6 | 602 | 322 | 18 | 1 | 1 |
| 7 | 250 | 132 | 16 | 1 | 1 |
| 8 | 250 | 132 | 16 | 1 | 1 |
| 9 | 511 | 112 | 16 | 1 | 1 |
| 10 | 568 | 268 | 16 | 1 | 2 |
| 11 | 523 | 253 | 3 | 1 | 1 |
| 12 | 916 | 289 | 3 | 1 | 1 |
| 13 | 916 | 289 | 3 | 1 | 1 |

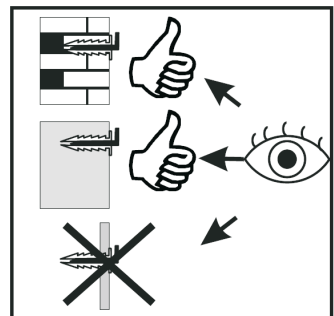
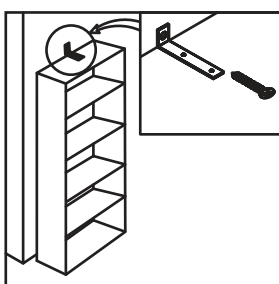
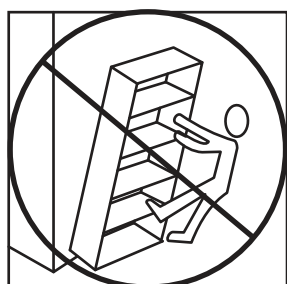
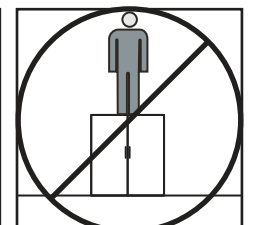
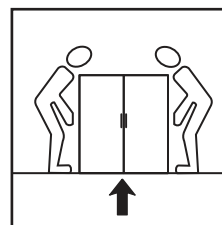
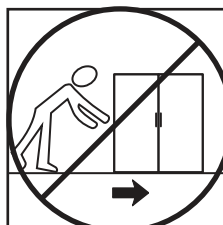
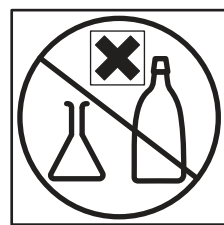
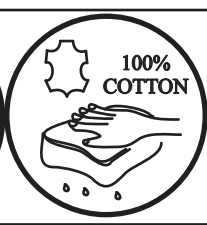
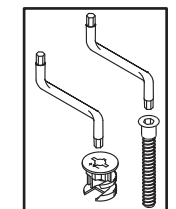
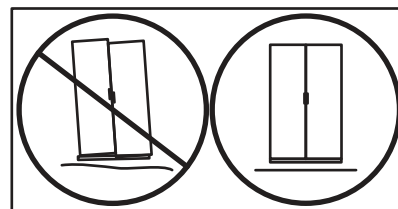
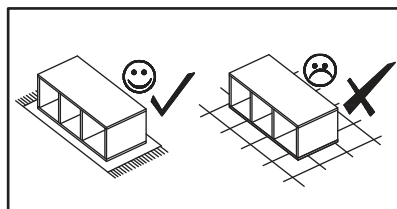
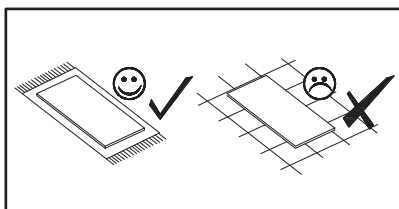
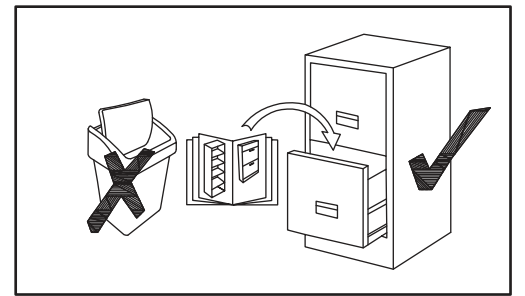
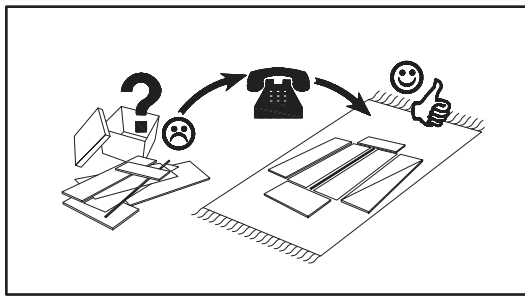
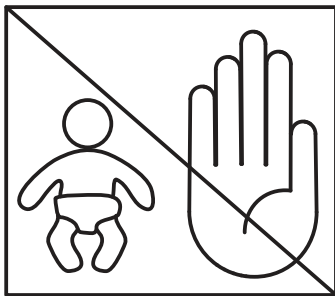
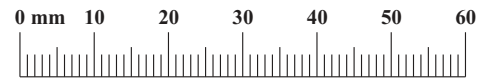


ARMARIO 1 ECO TYP G



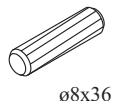

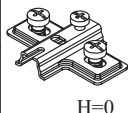
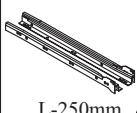

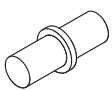
ARMARIO 1 ECO TYP G

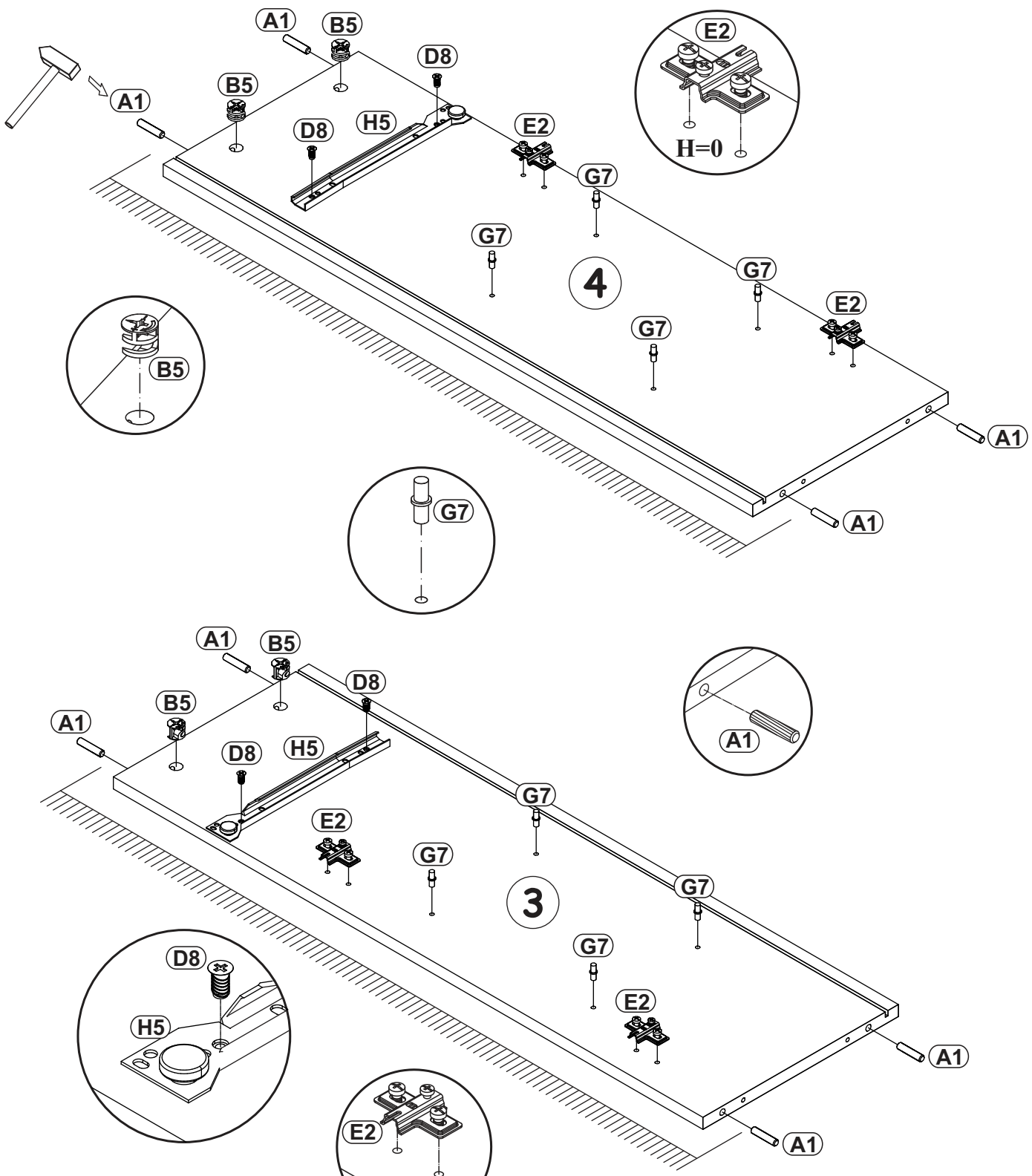
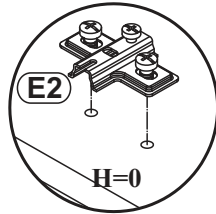
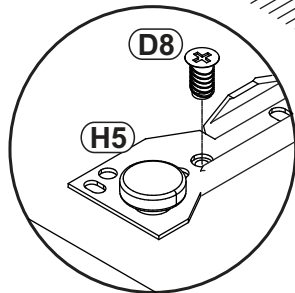
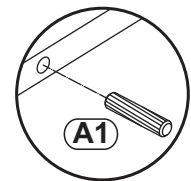
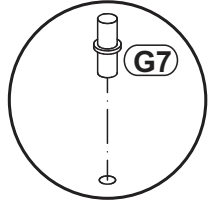
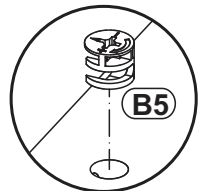
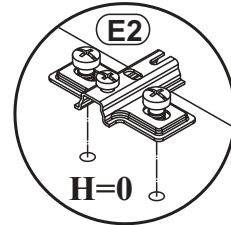
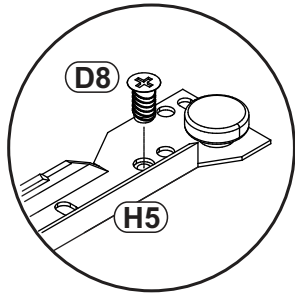
| | | | | | |
|--|--|--|--|---|---|
| A1 x12  ø8x36 | B4 x6  | B5 x6  ø15x12 | G5 x6  | B11 x8  Ø7x50 | G4 x8  |
| E1 x4  H=0 | E2 x4  H=0 | D10 x14  USØ3,5x13 | KL x4  L-64mm | UP6 x8  UPØ4x30 | Z2 x4  Ø5 |
| H5 x1  L-250mm | D8 x4  ESØ5x13 | UP13 x5  UPØ3x16 | G8 x1  | G20 x2  | G7 x8  |
| I11 x4  | UP11 x4  UPØ4x20 | S1 x12  | L1 x1  | KR1 x1  Ø8 | G2 x1  |



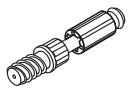
ARMARIO 1 ECO TYP G

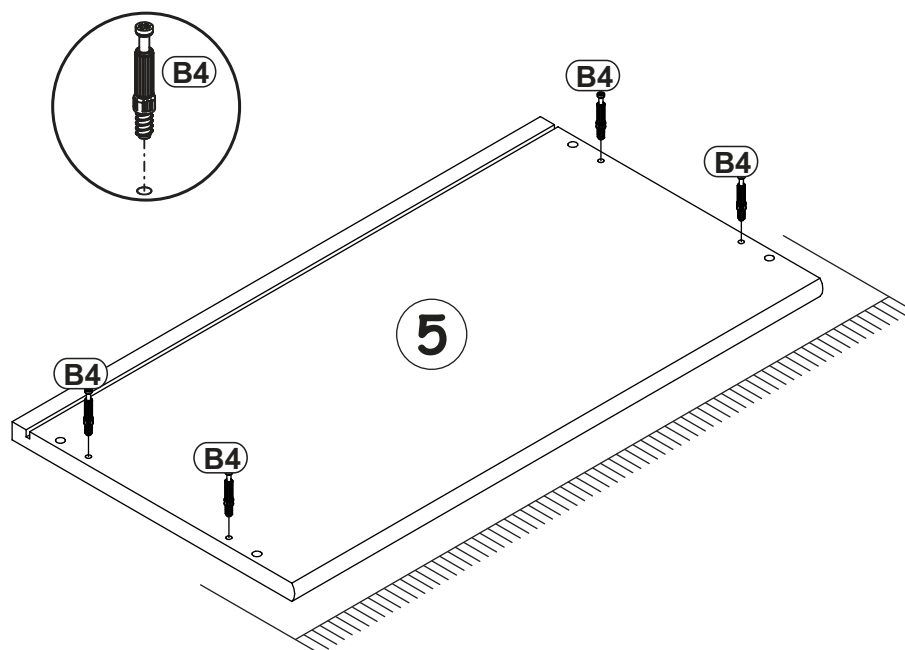
1

| | | | | | |
|----------|---|----------|--|----------|--|
| A1 x8 |  ø8x36 | B5 x4 |  ø15x12 | E2 x4 |  H=0 |
| H5 x1 |  L-250mm | D8 x4 |  ES05x13 | G7 x8 |  |

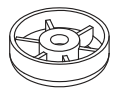

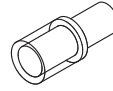


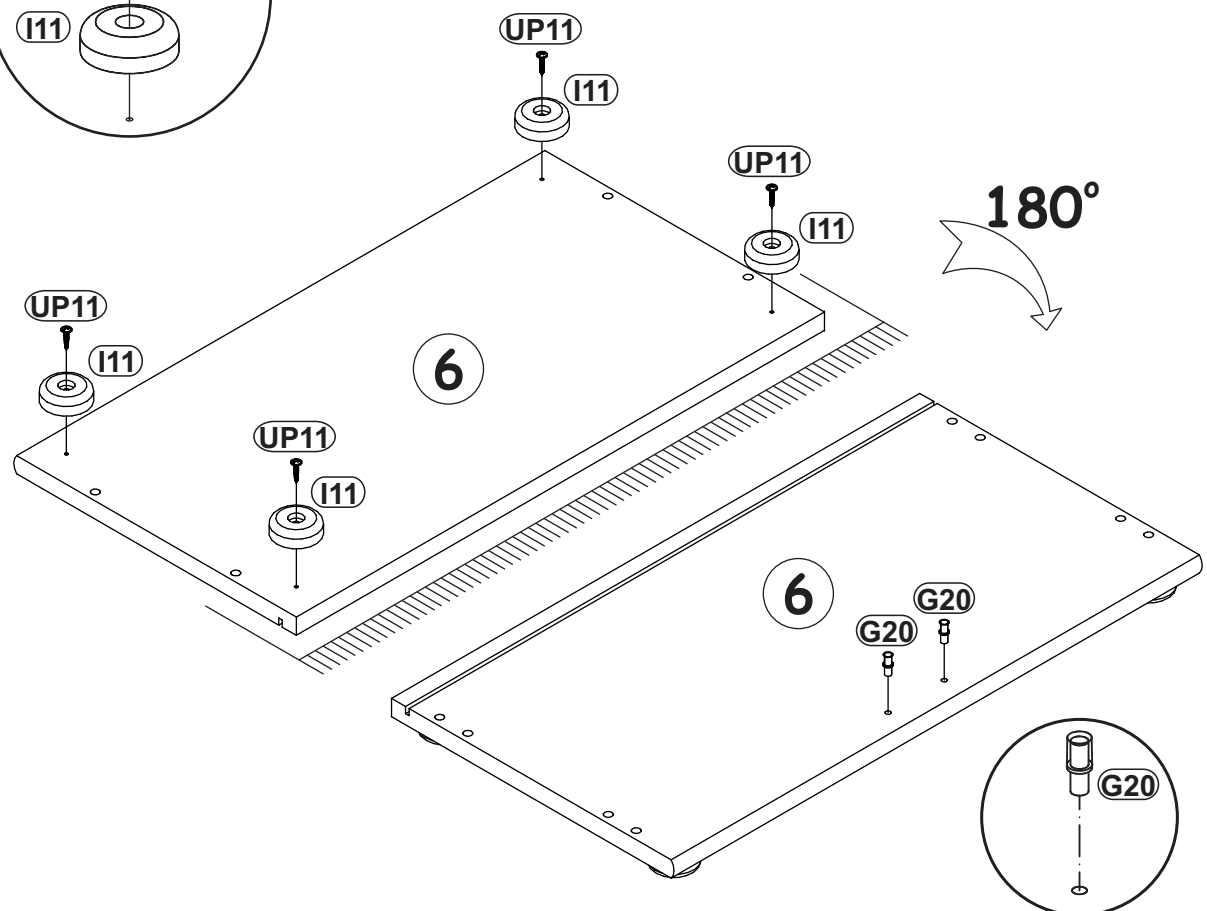
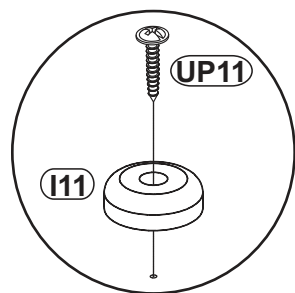
2

| | |
|----|---|
| B4 |  |
| x4 | |

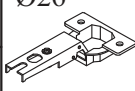
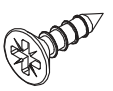


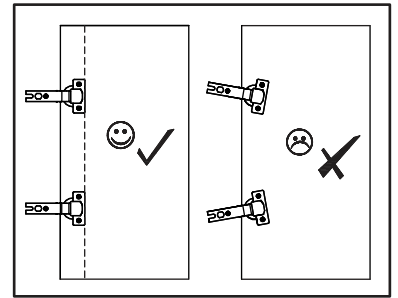
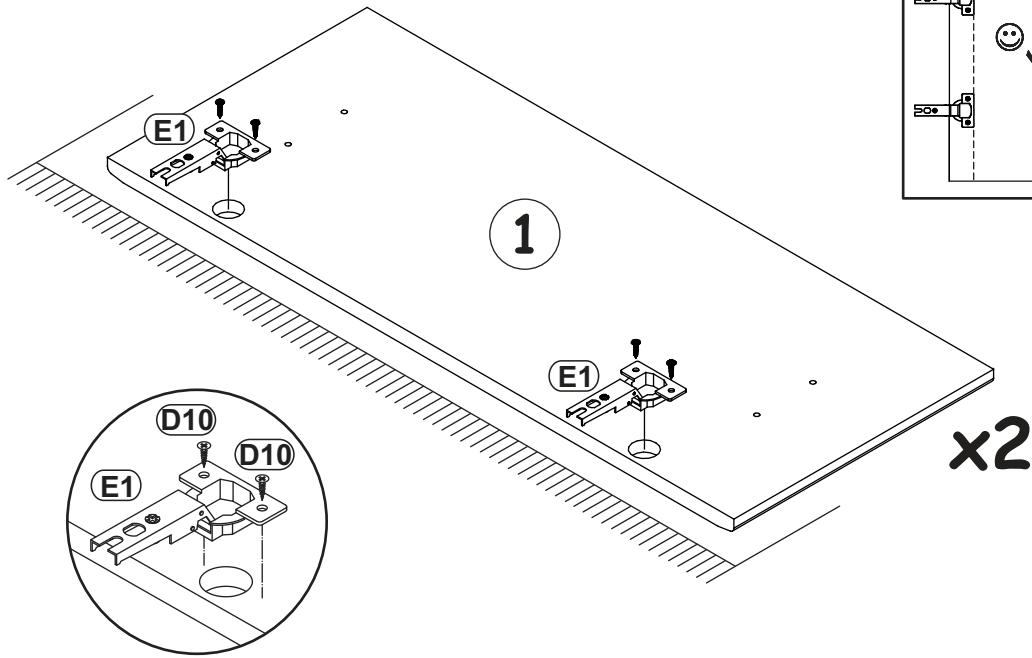
3

| | | | | | |
|-----|---|------|--|-----|--|
| I11 |  | UP11 |  | G20 |  |
| x4 | | x4 | UPØ4x20 | x2 | |

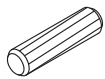
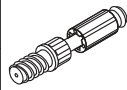
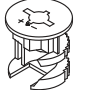


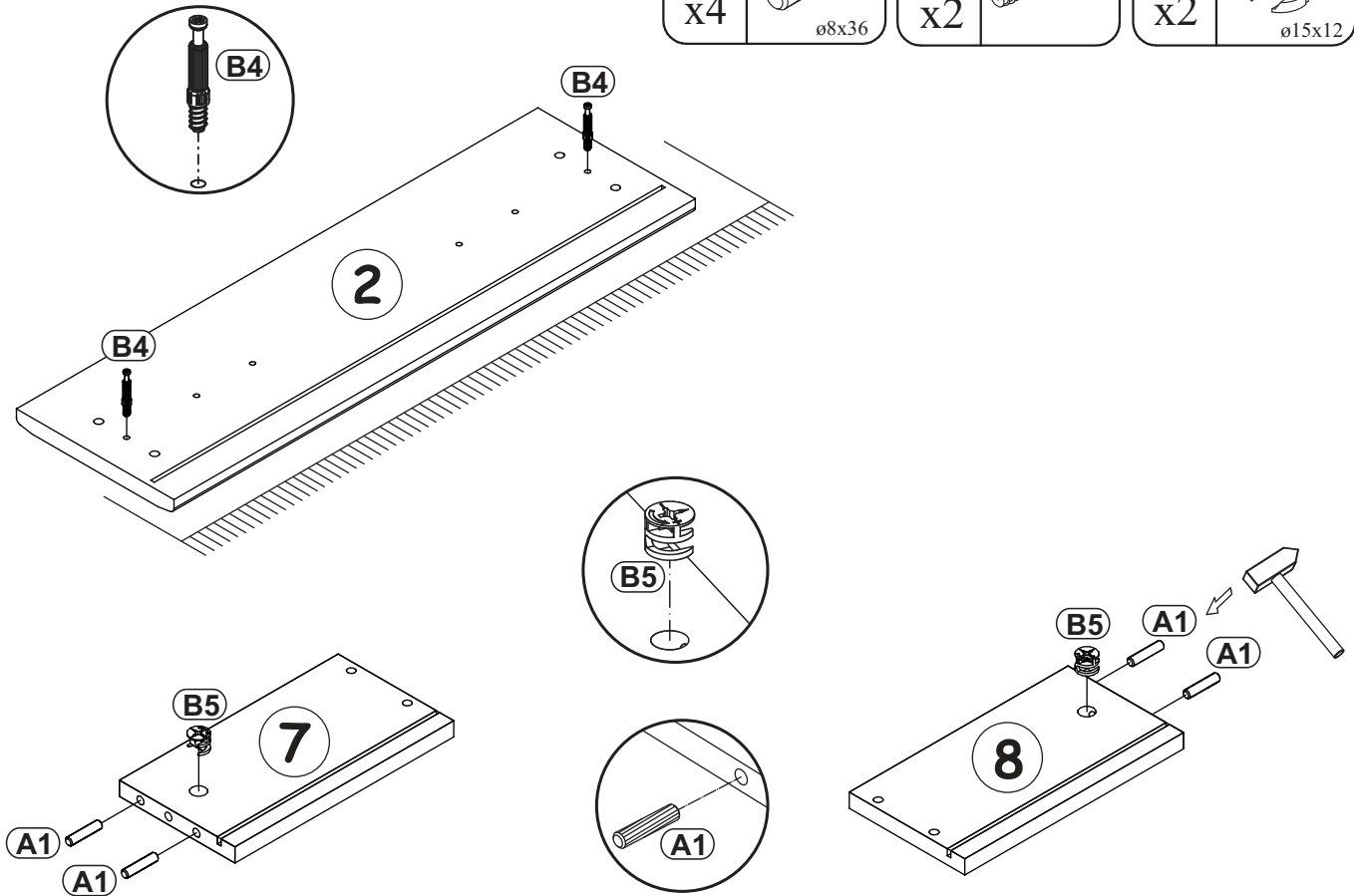
4

| | | | |
|----|--|-----|--|
| E1 | Ø26 | D10 | |
| x4 |  H=0 | x8 |  USØ3,5x13 |





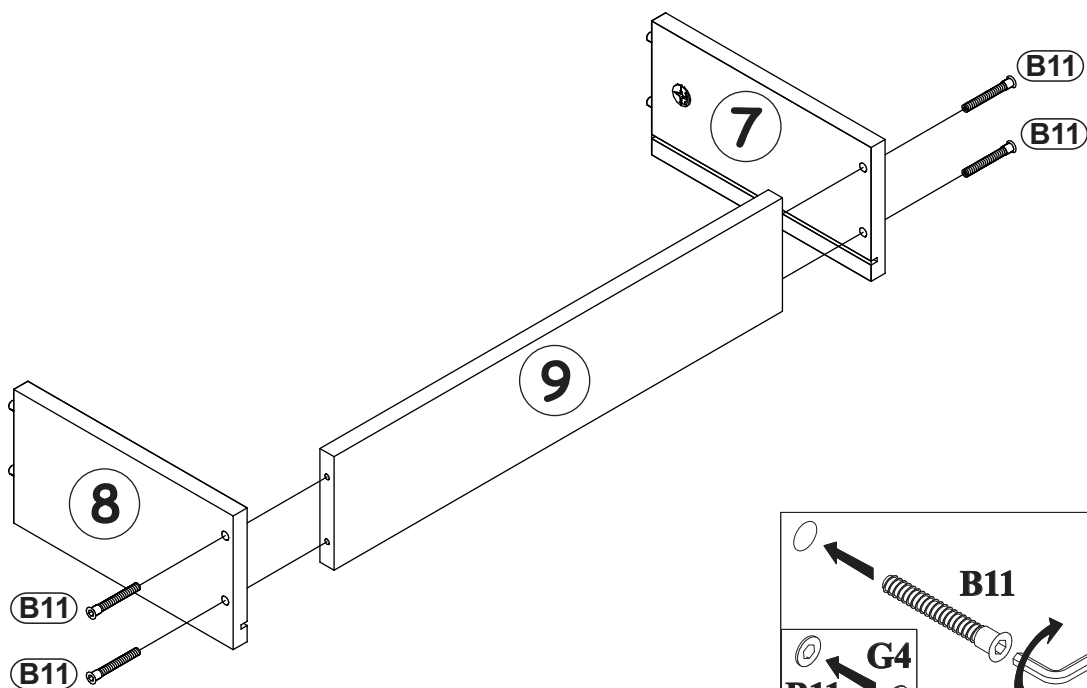
5

| | | | |
|----|---|----|---|
| A1 | B4 | B5 | |
| x4 |  ø8x36 | x2 |  |
| | | x2 |  ø15x12 |




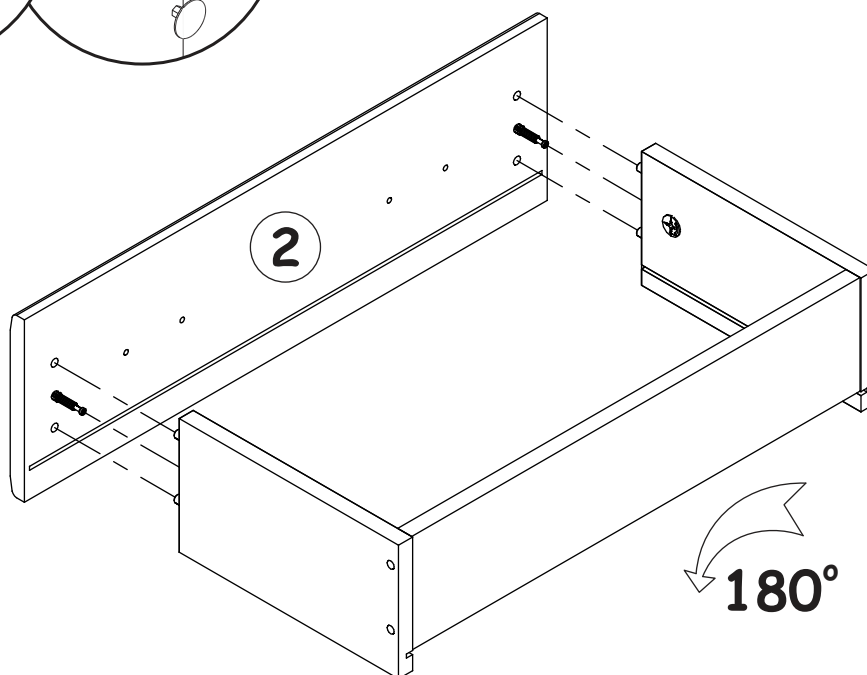
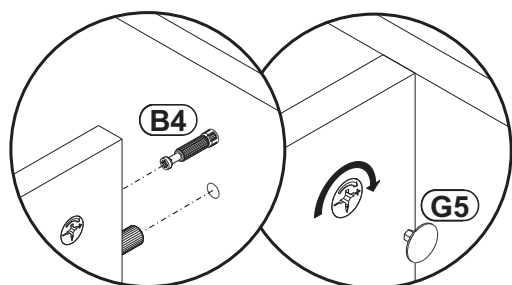
6

| | | | |
|-----|---|----|---|
| B11 |  | G4 |  |
| x4 | Ø7x50 | x4 | |

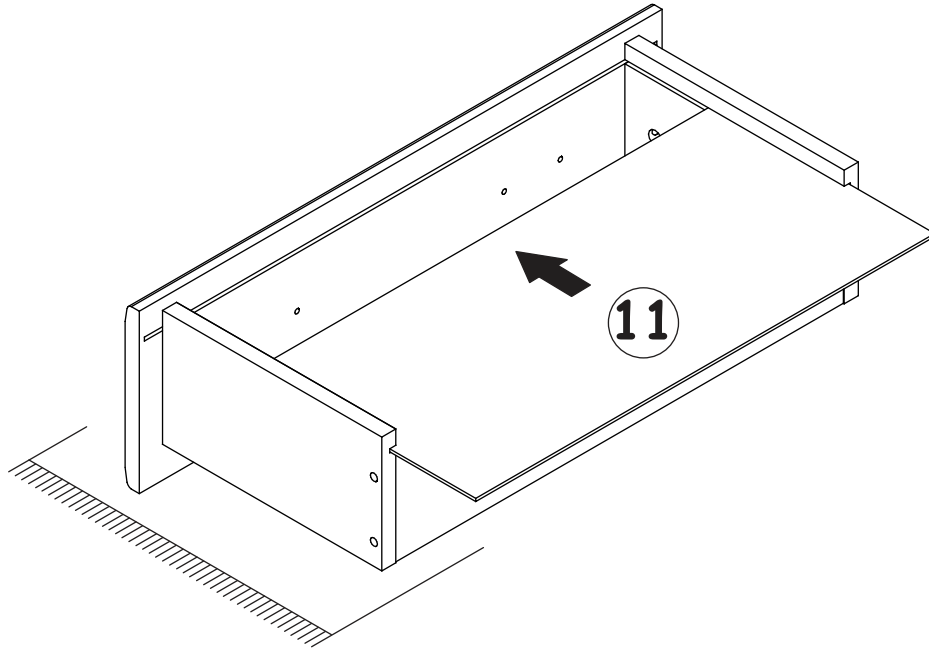


7

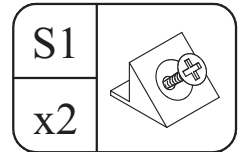
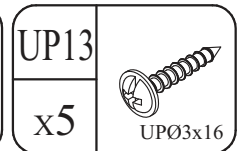
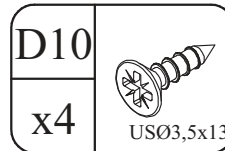
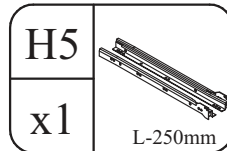
| | |
|----|---|
| G5 |  |
| x2 | |



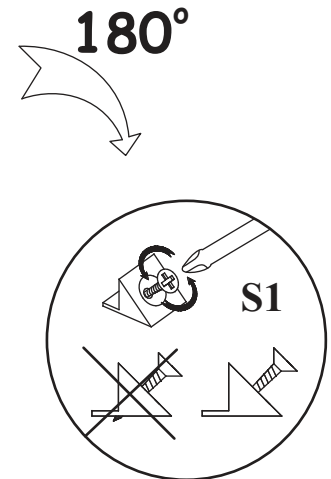
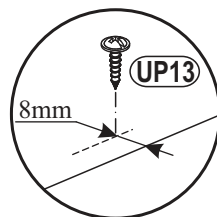
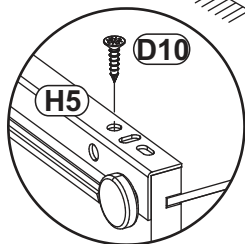
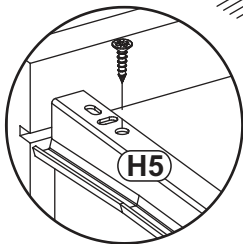
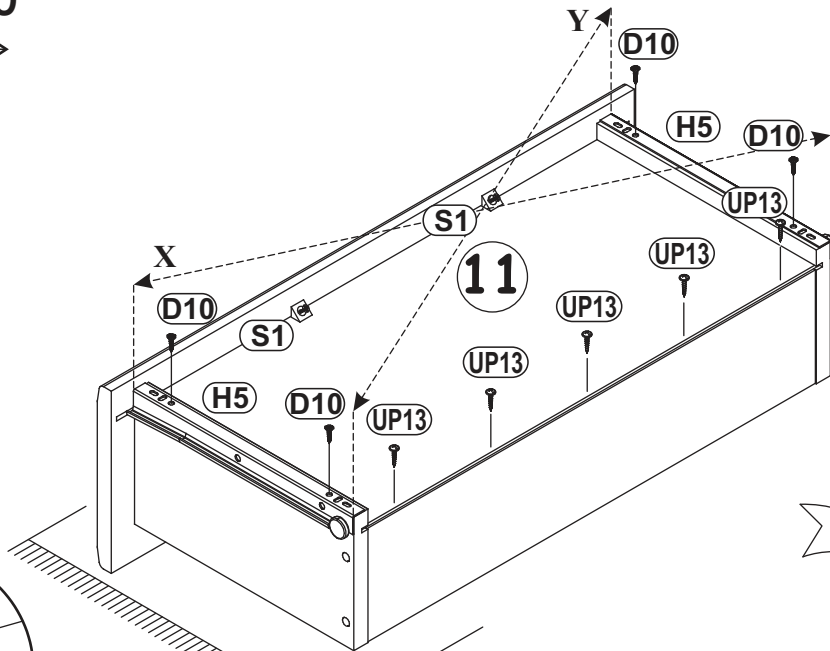
8



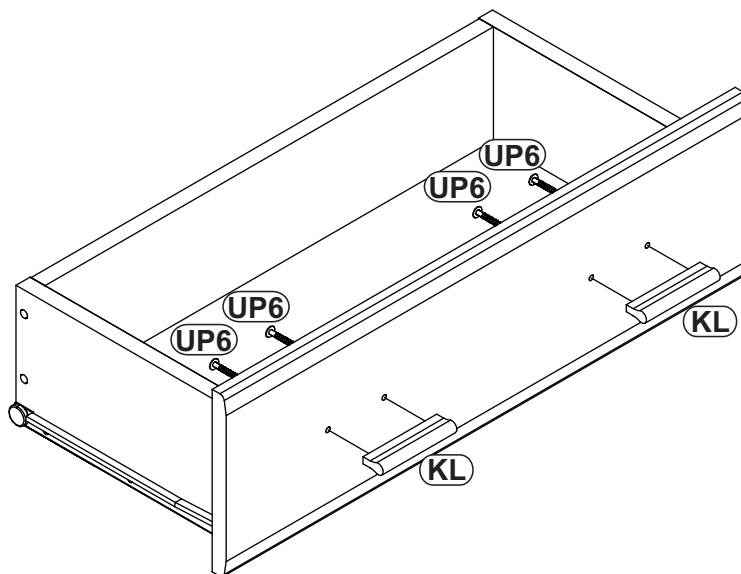
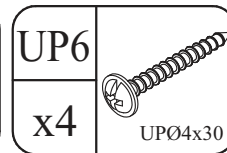
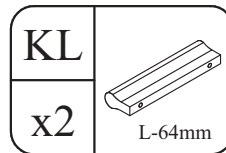
9



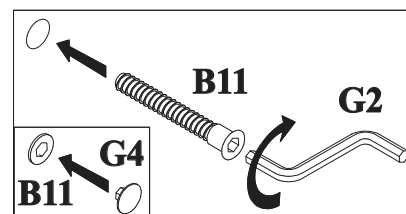
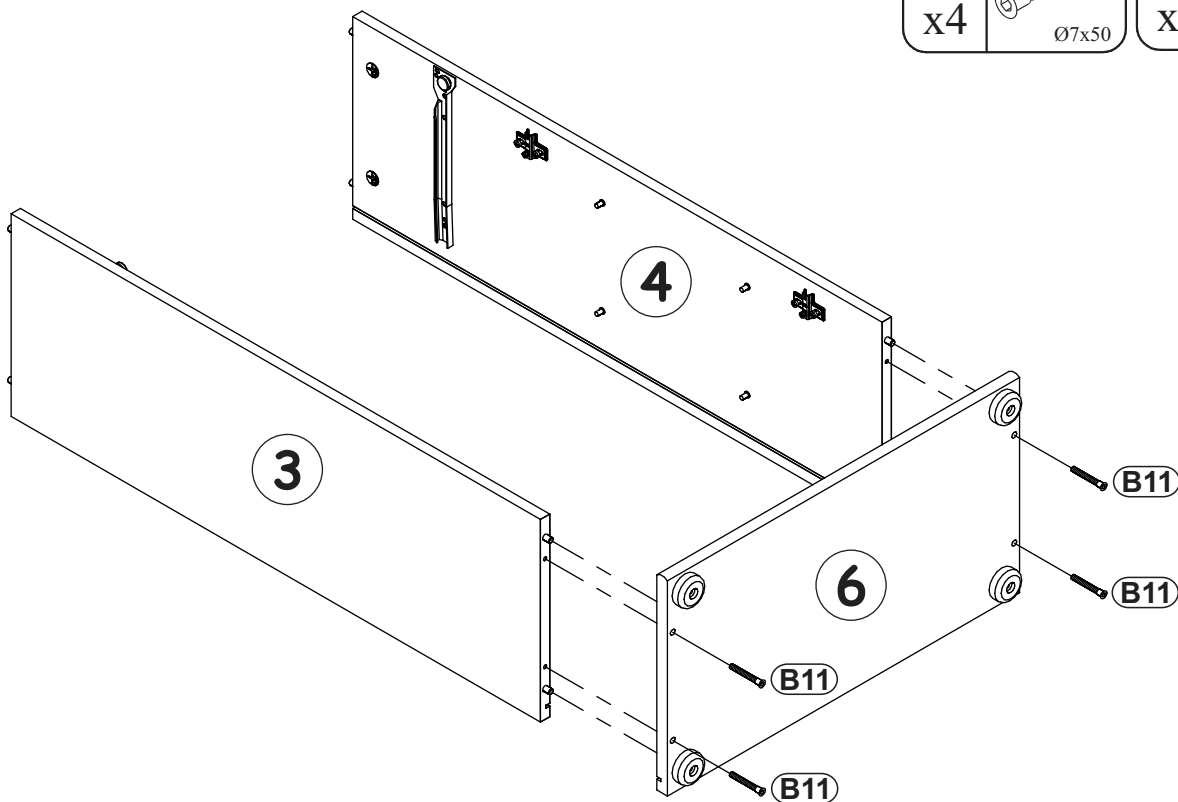
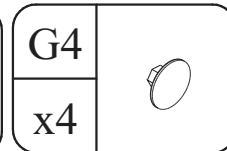
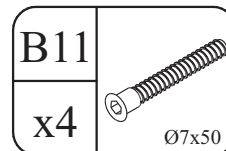
X=Y 90°



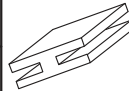
10

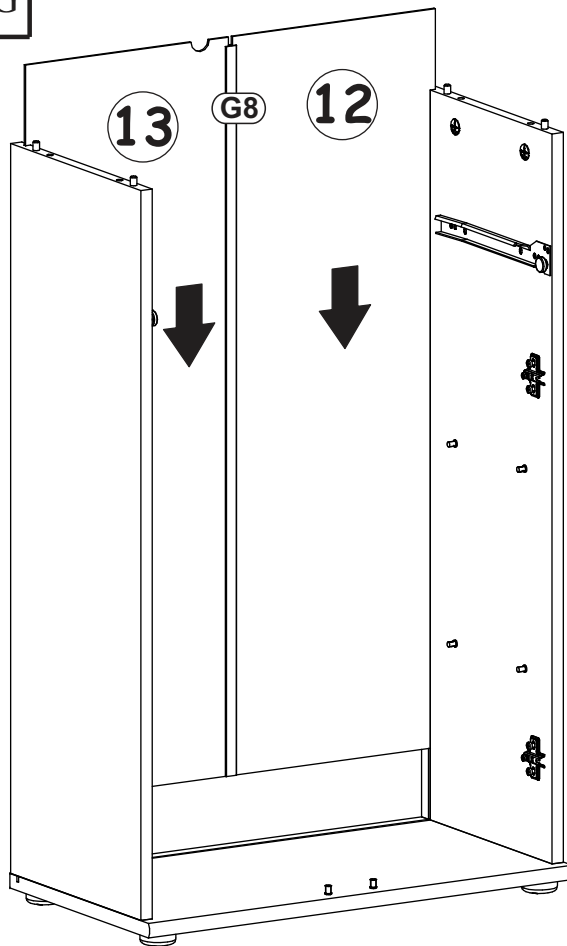
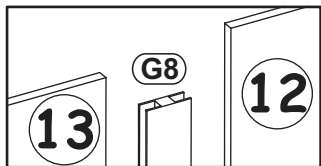


11




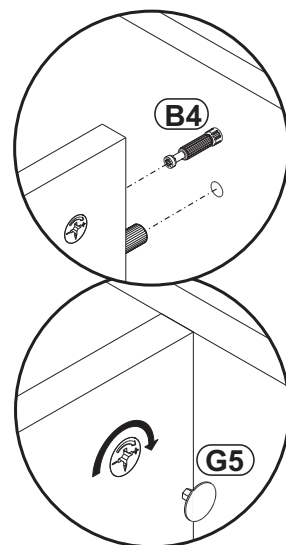
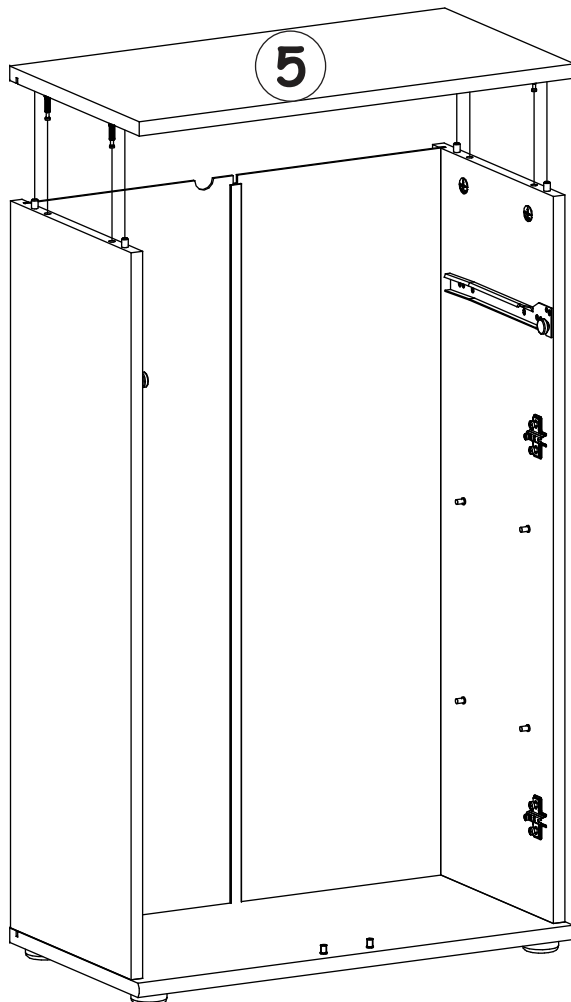
12

| | |
|----|---|
| G8 |  |
| x1 | |



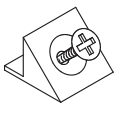
13

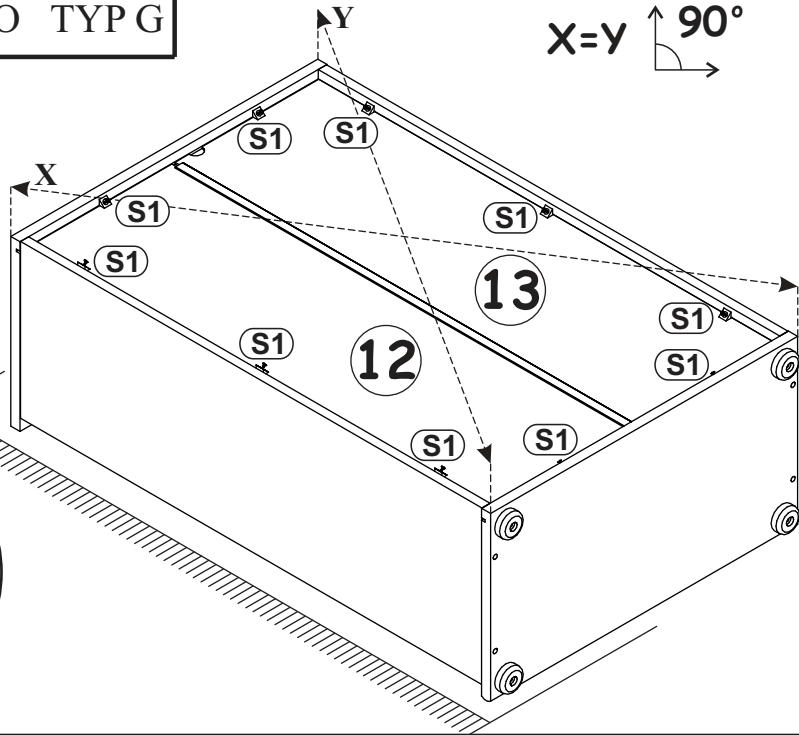
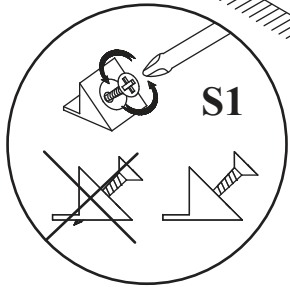
| | |
|----|---|
| G5 |  |
| x4 | |



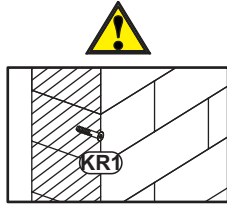
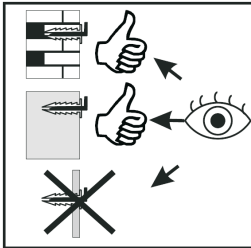
14

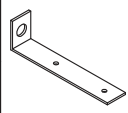
$X=Y$ 90°

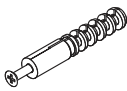
| | |
|-----|---|
| S1 |  |
| x10 | |




15

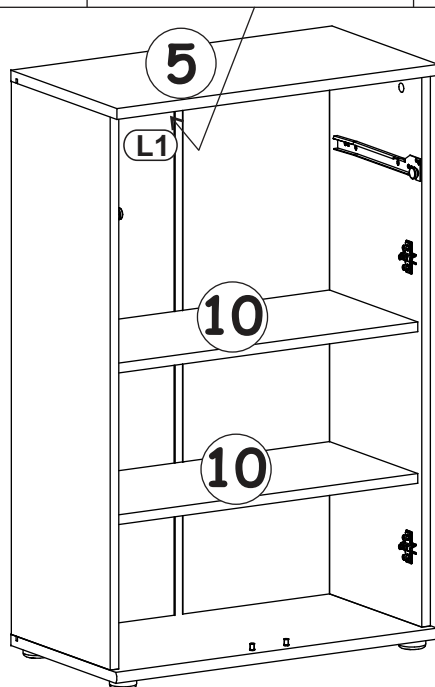
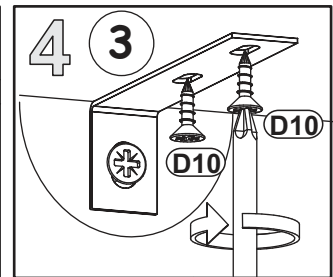
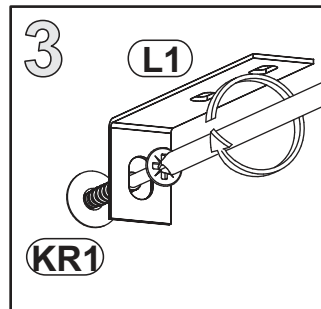
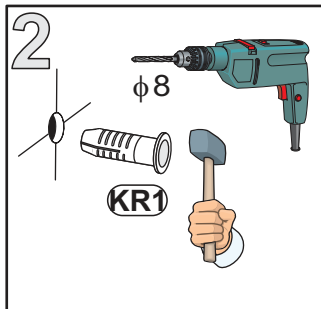
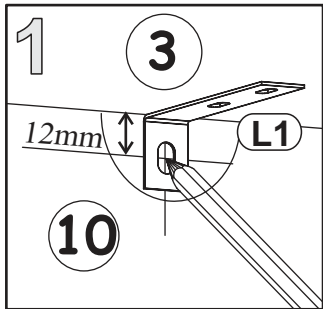


| | |
|----|--|
| L1 |  |
| x1 | |

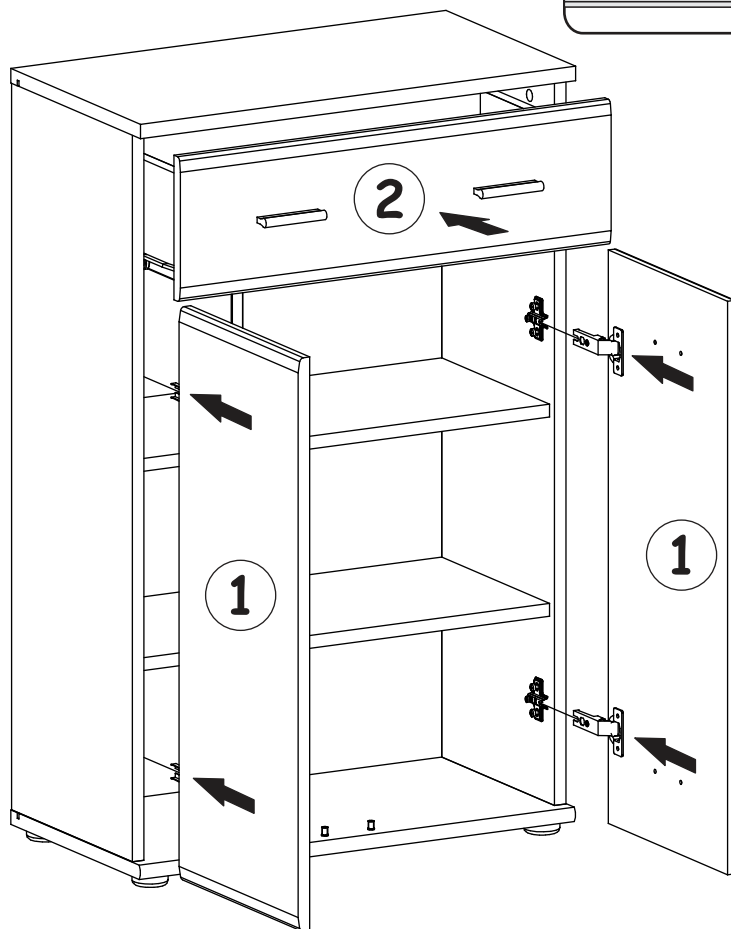
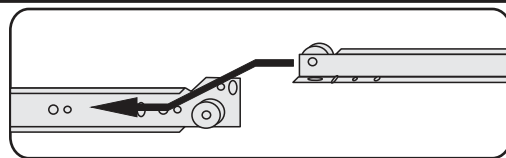
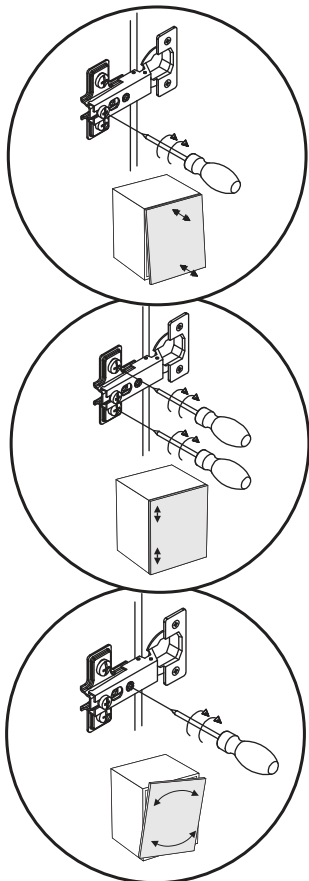
| | |
|-----|---|
| KR1 |  |
| x1 | |

| | |
|-----|---|
| D10 |  |
| x2 | |

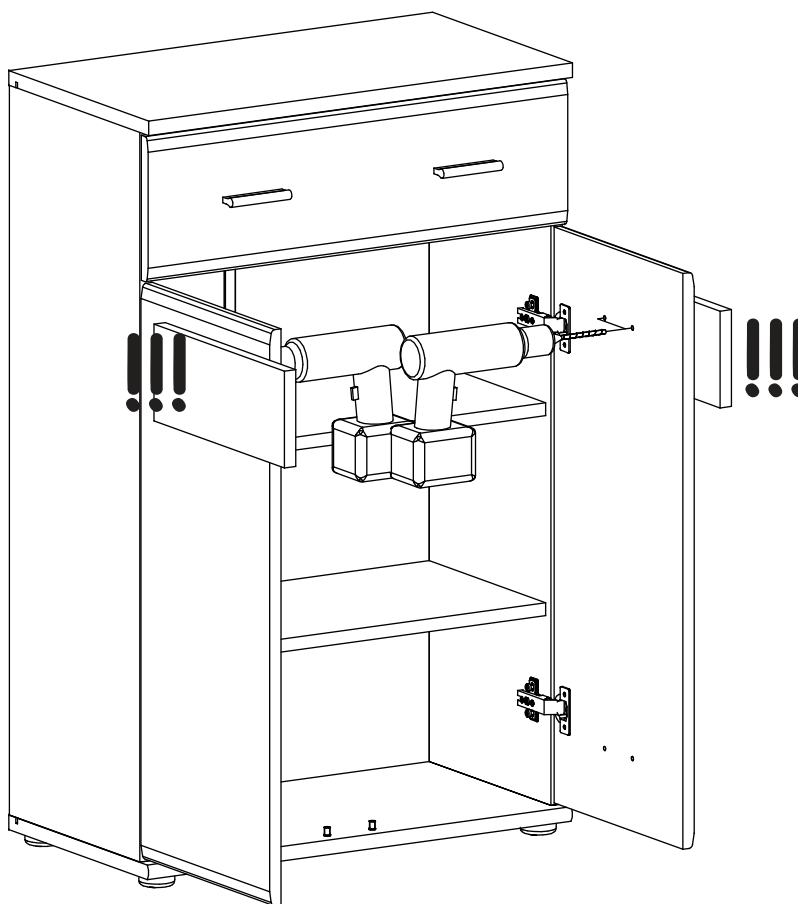
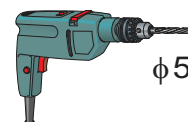
USØ3,5x13



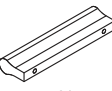
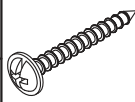

16

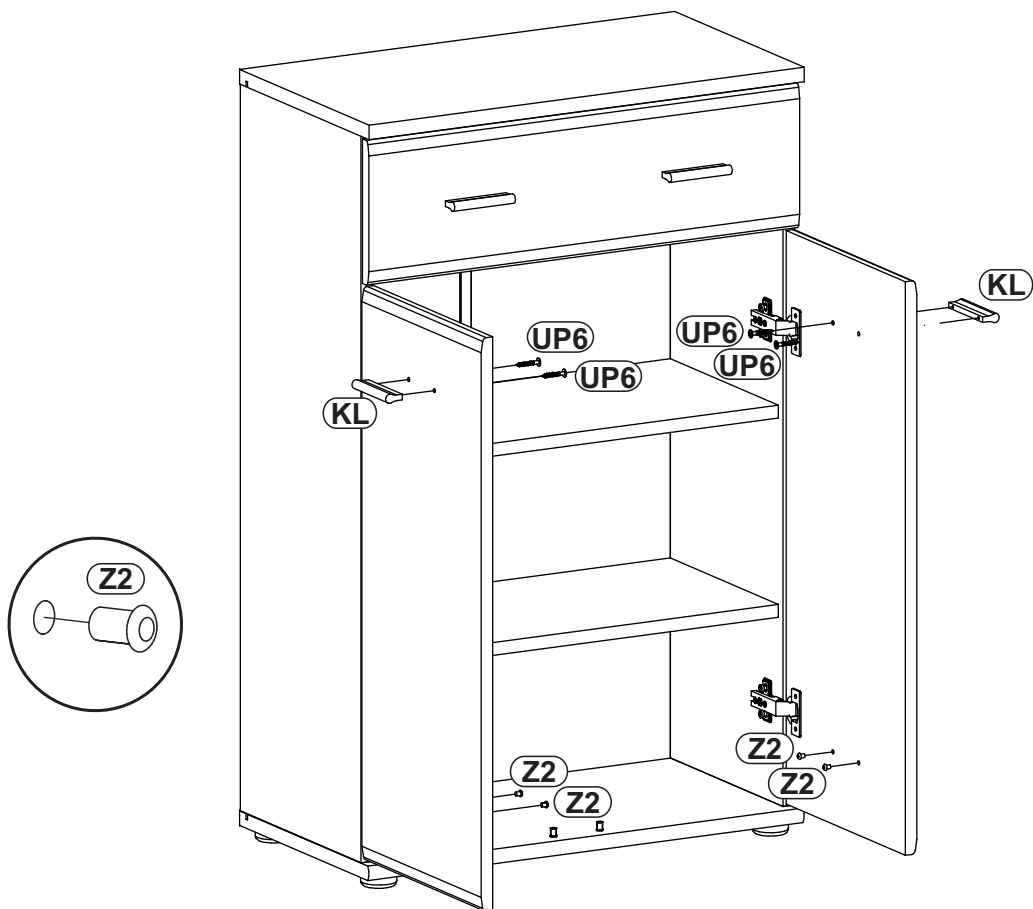


17

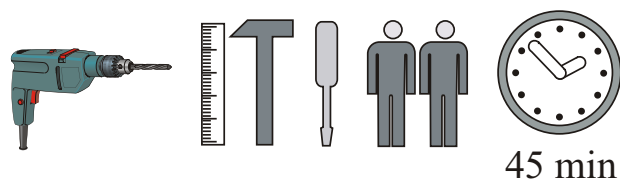
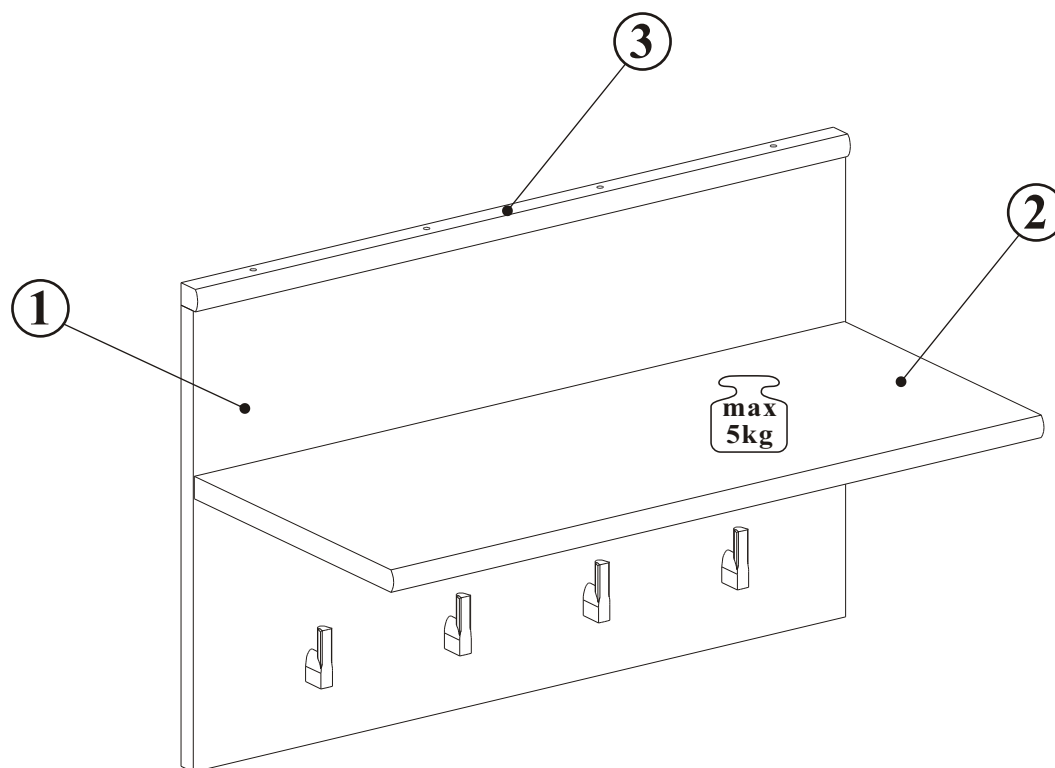
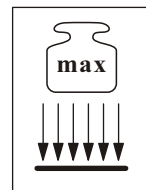


18

| | | | | | |
|----|--|-----|--|----|---|
| KL |  | UP6 |  | Z2 |  |
| x2 | L-64mm | x4 | UP04x30 | x4 | Ø5 |

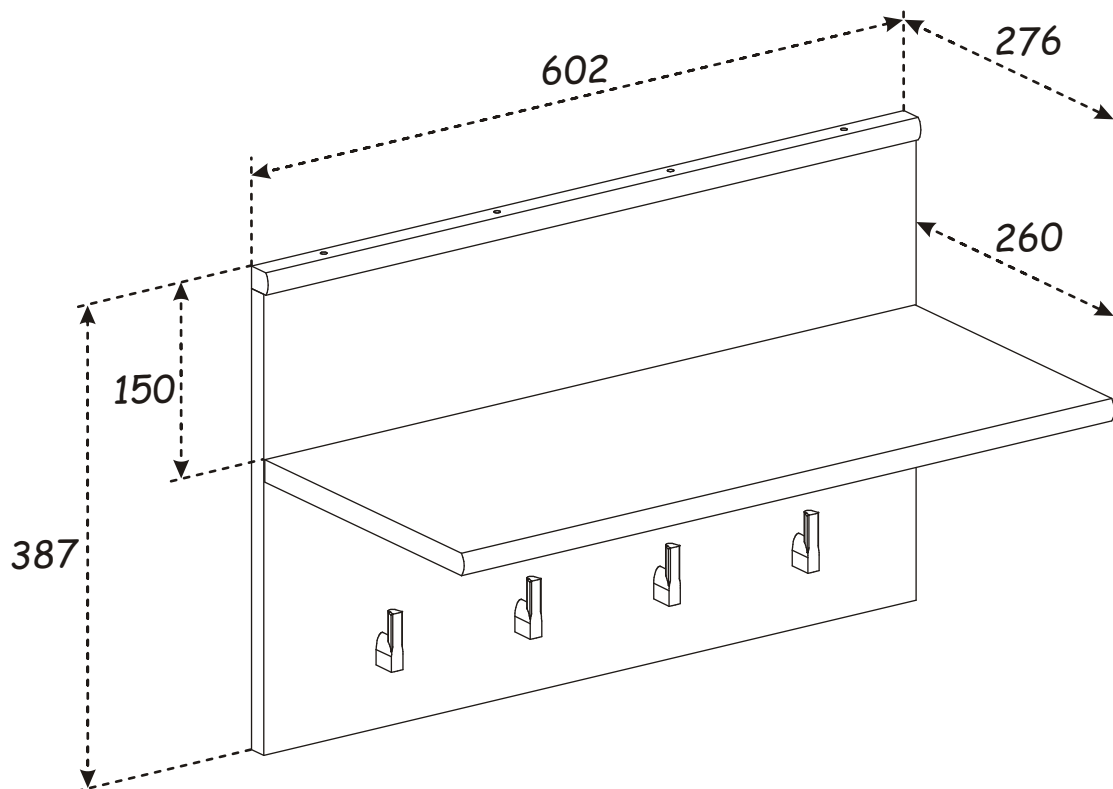


ARMARIO 1 ECO - TYP-H



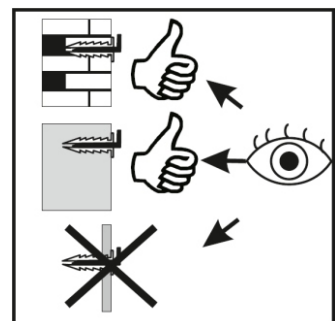
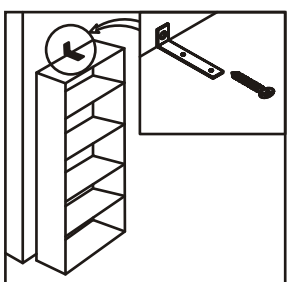
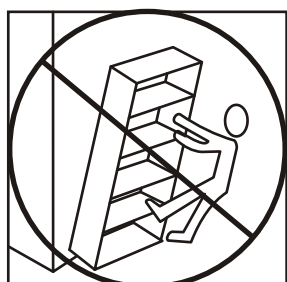
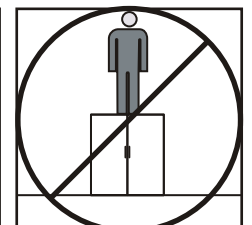
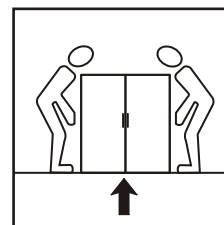
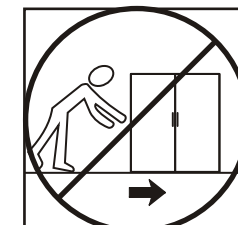
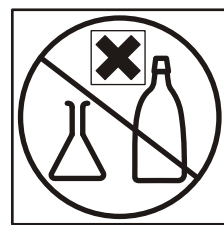
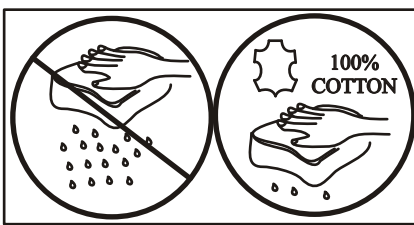
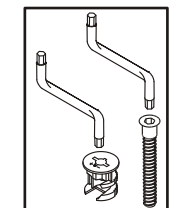
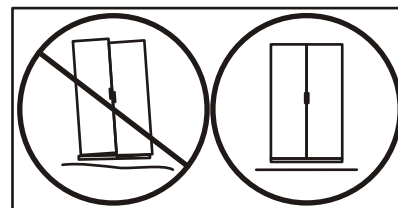
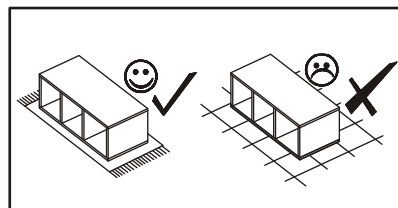
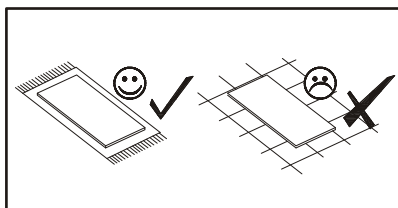
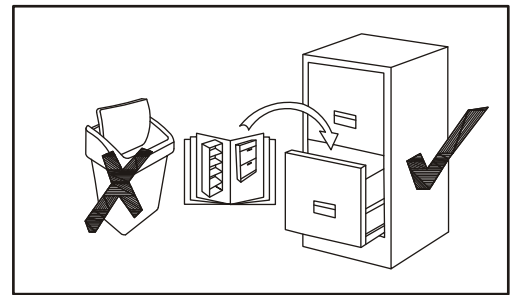
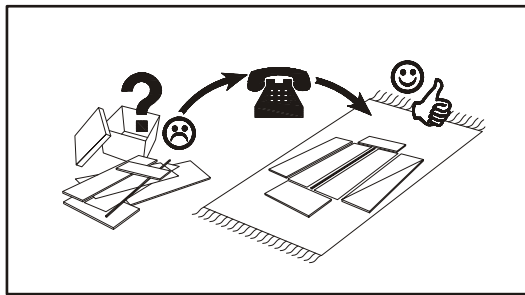
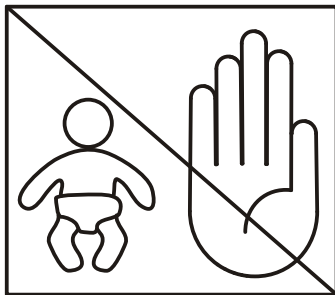
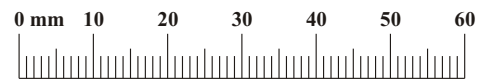
| NO | Dim. | | | Col-No | Qty |
|----|------|-----|----|--------|-----|
| 1 | 369 | 602 | 16 | 1 | 1 |
| 2 | 600 | 260 | 18 | 1 | 1 |
| 3 | 602 | 22 | 18 | 1 | 1 |

ARMARIO 1 ECO - TYP-H



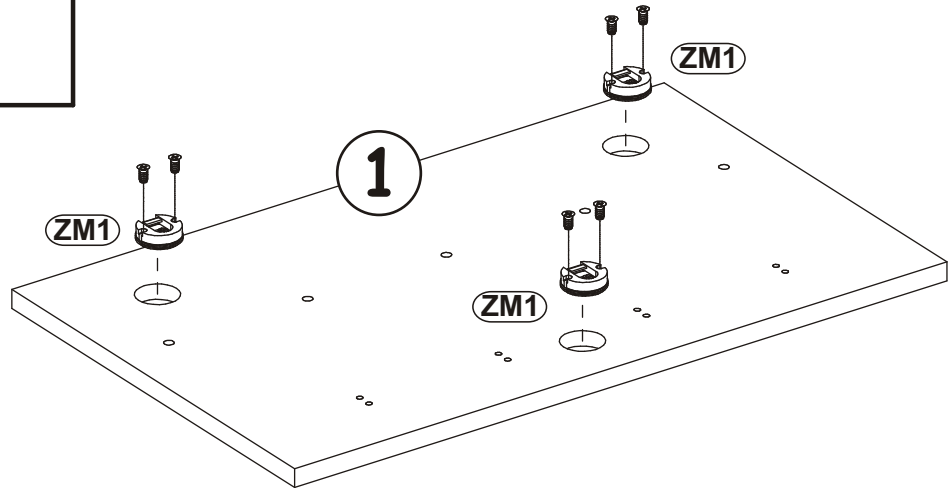
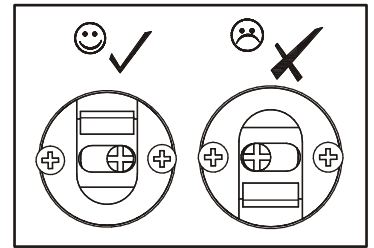
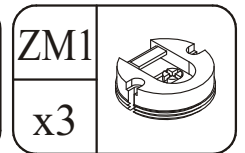
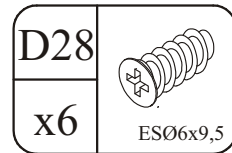
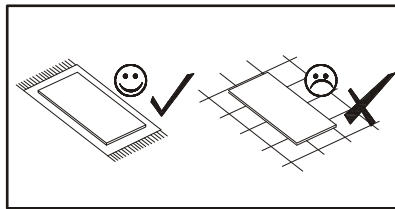
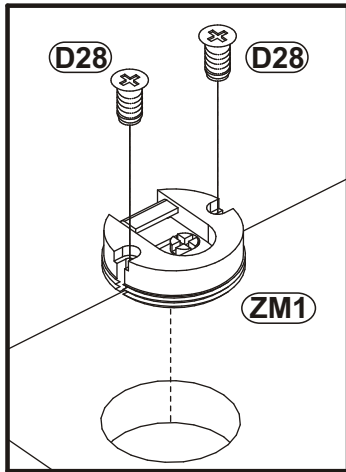
ARMARIO 1 ECO - TYP-H

| | | | | | |
|--------------------|----------------------|-----------------------|-----------|----------|-----------------------|
| B11 x5 Ø7x50 | G4 x5 | D28 x6 ESØ6x9,5 | ZM1 x3 | G2 x1 | UP16 x4 UPØ4x35 |
| KR2 x3 Ø8 | UP6 x8 UPØ4x30 | WS1 x4 | | | |

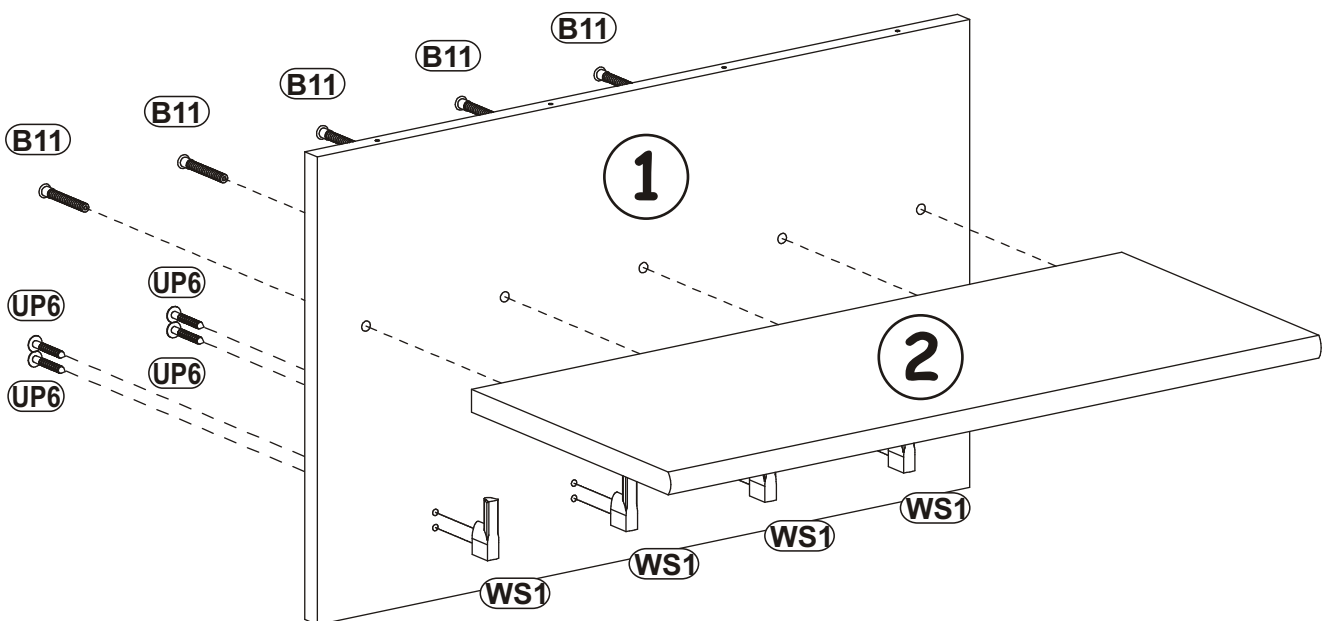
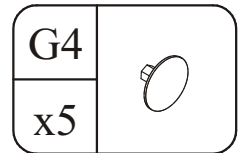
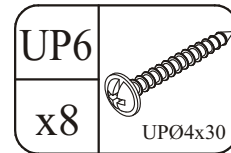
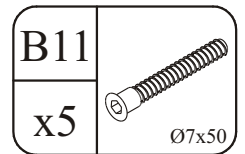
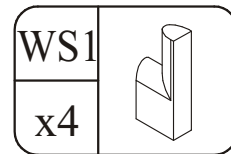
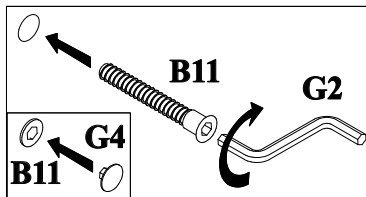


ARMARIO 1 ECO - TYP-H

1

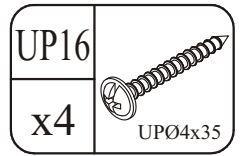
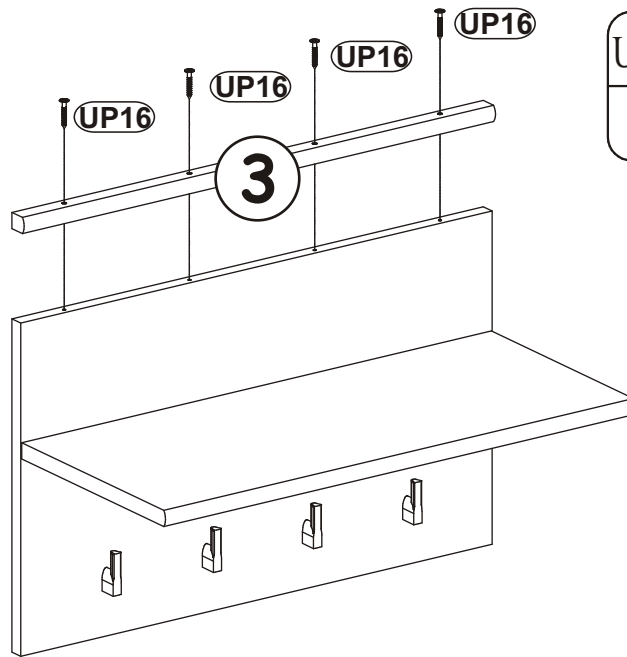


2

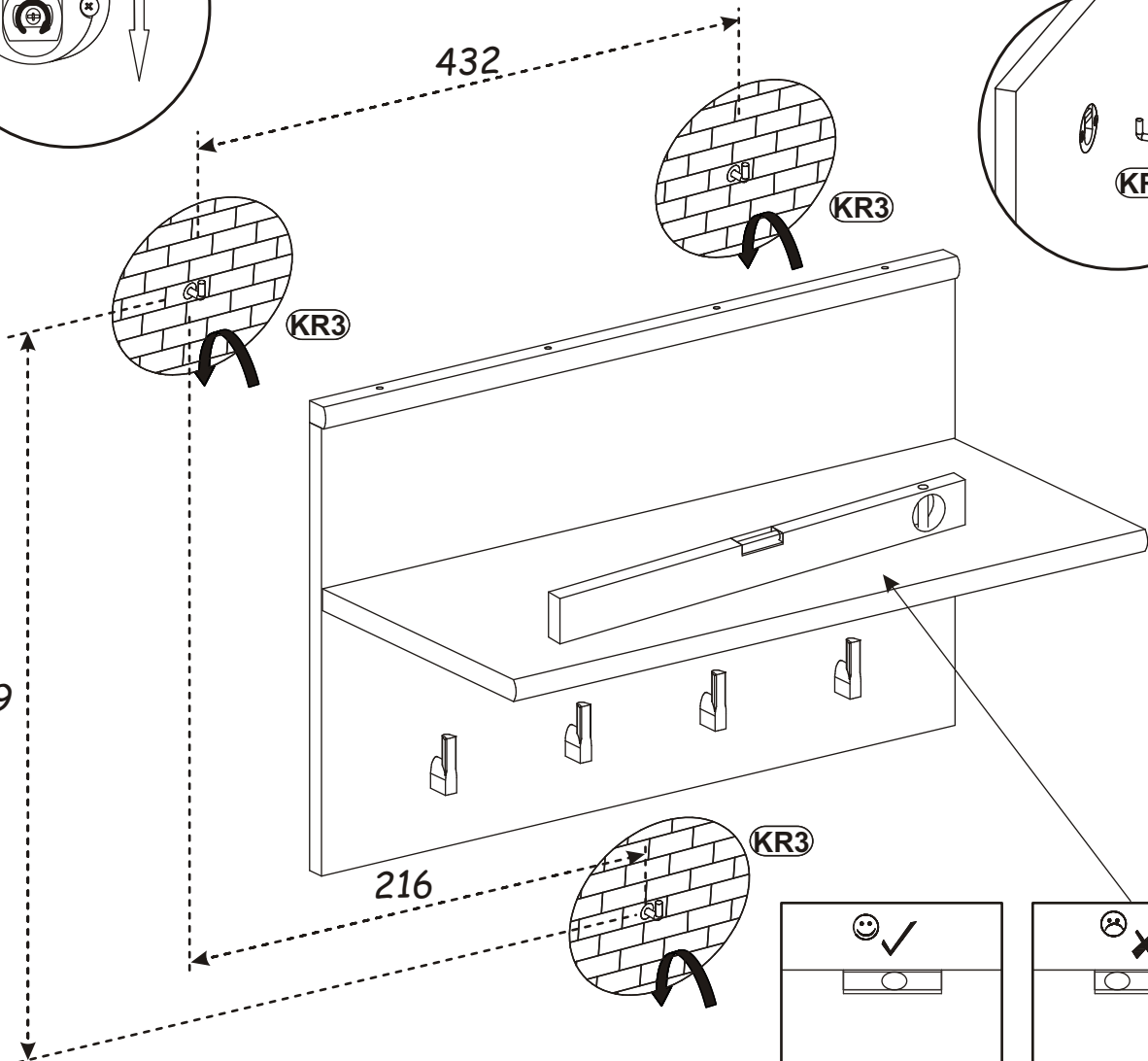
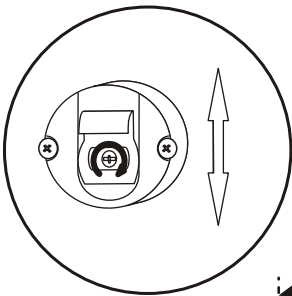
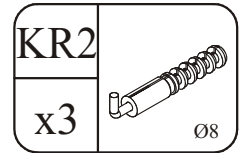
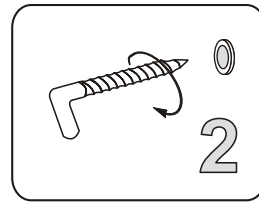
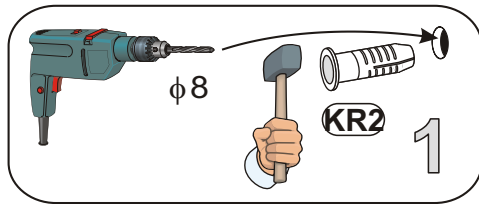
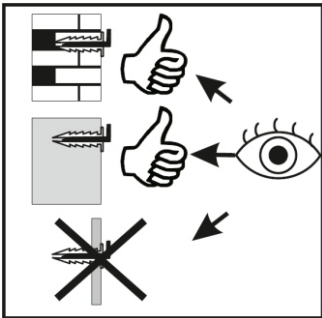


ARMARIO 1 ECO - TYP-H

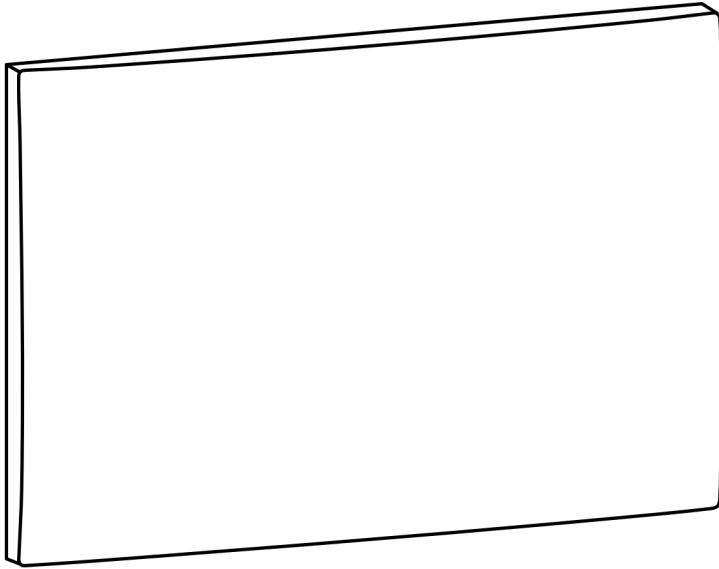
3



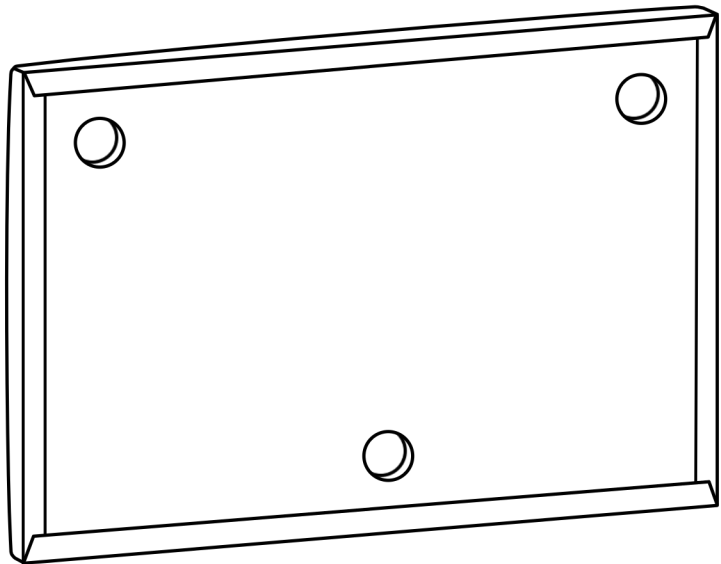
4



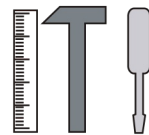
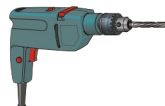
ARMARIO / GUSTAVO / PEDRO TYP H



3x

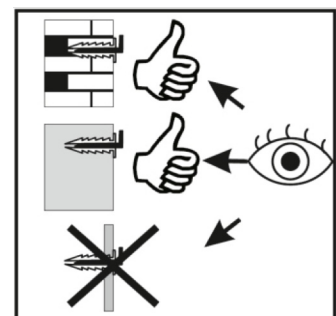
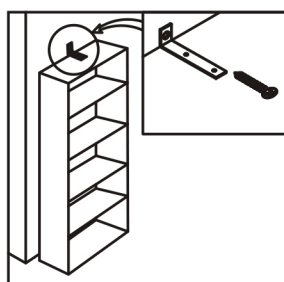
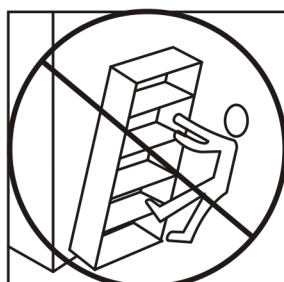
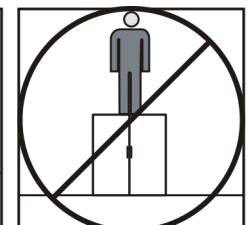
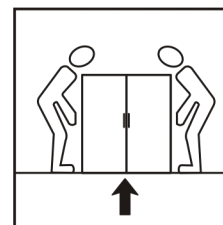
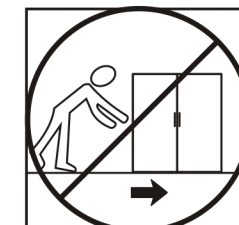
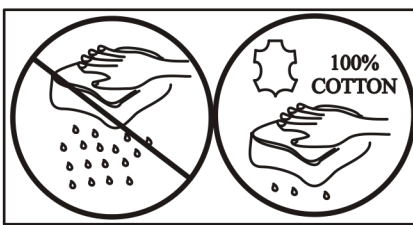
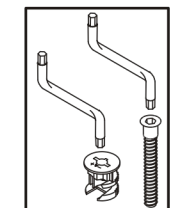
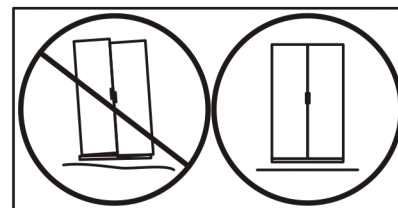
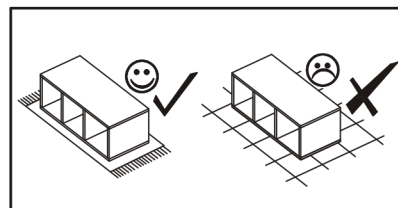
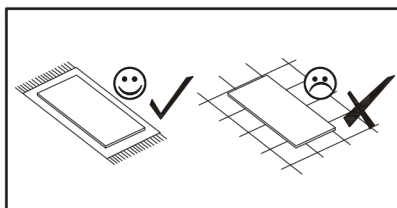
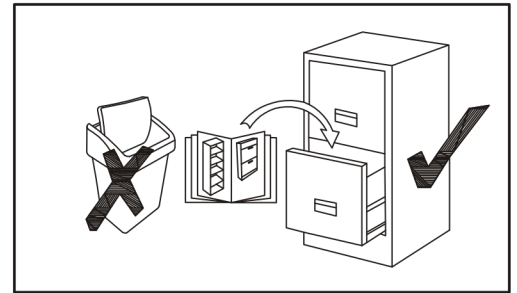
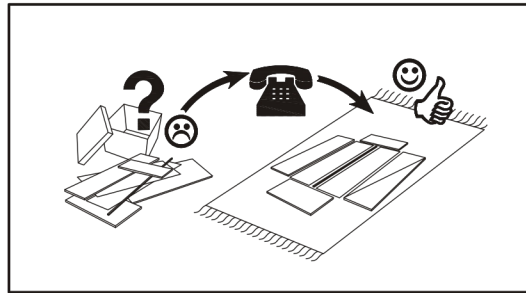
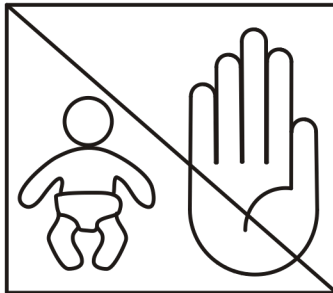
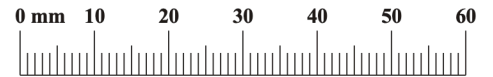
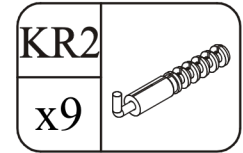
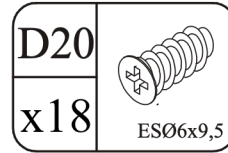
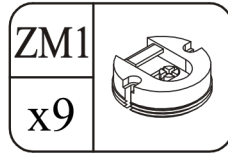


| NO | Dim. | | Col.-No | Qty |
|----|------|-----|---------|-----|
| 1 | 600 | 390 | 1 | 3 |

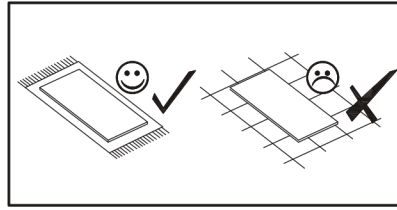


40 min

AR / GV / PD TYP H

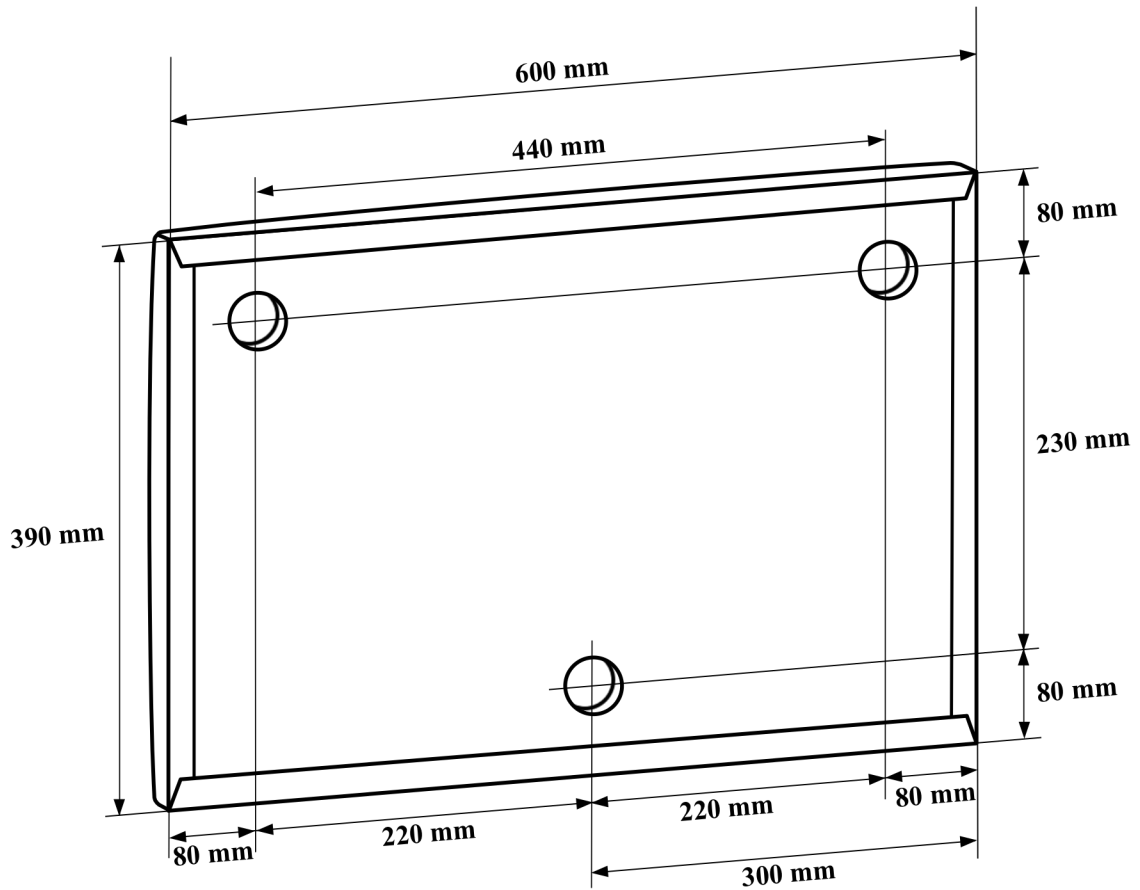
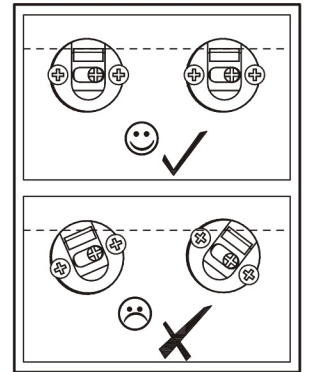
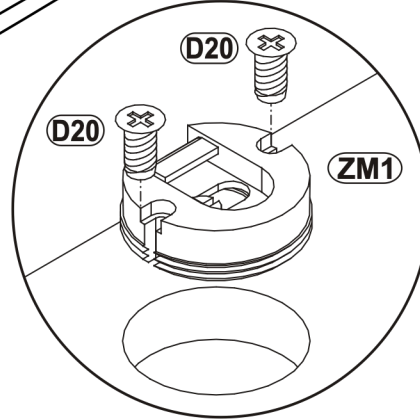
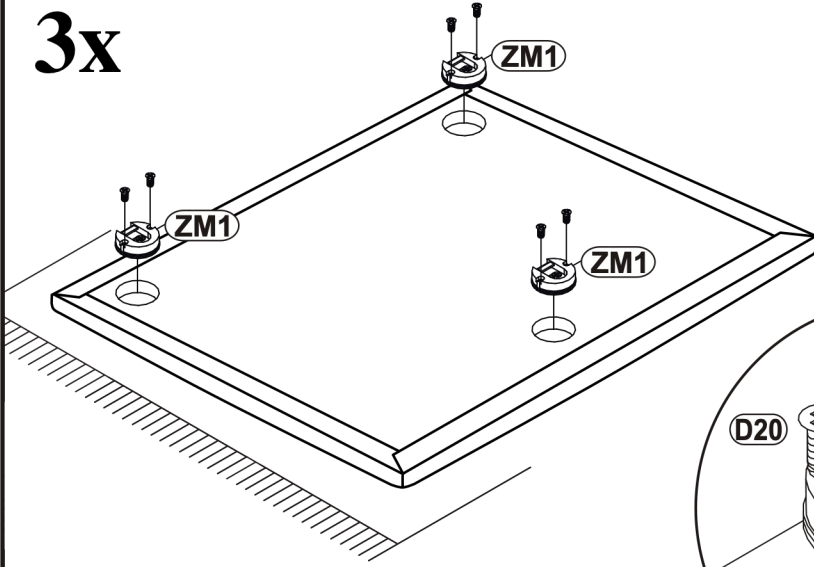


AR / GV / PD TYP H



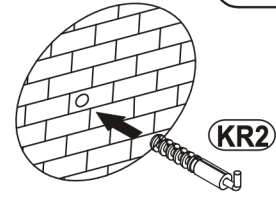
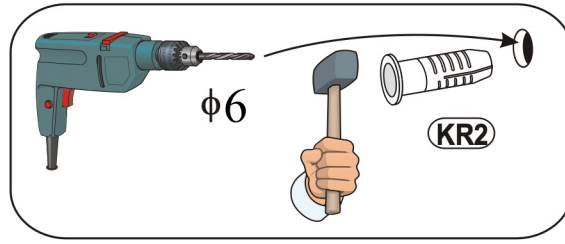
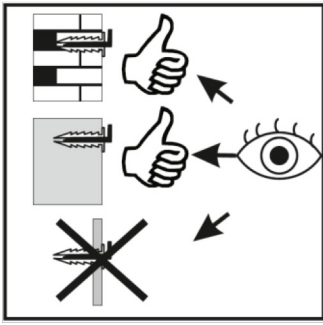
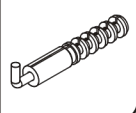
| | | | |
|-----|--|-----|----------|
| ZM1 | | D20 | |
| x3 | | x6 | ESØ6x9,5 |

3x



AR / GV / PD TYP H

KR2
x9



3x

