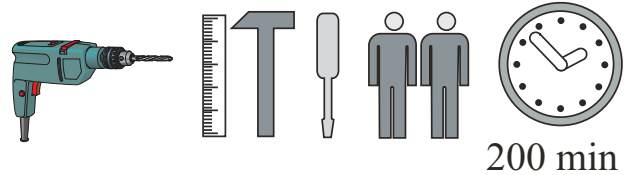
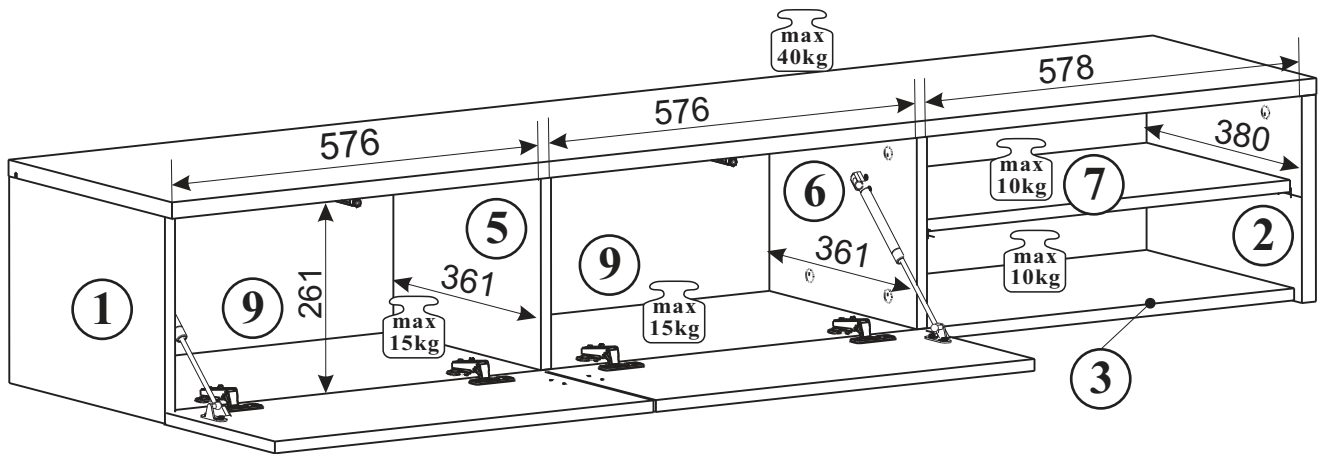
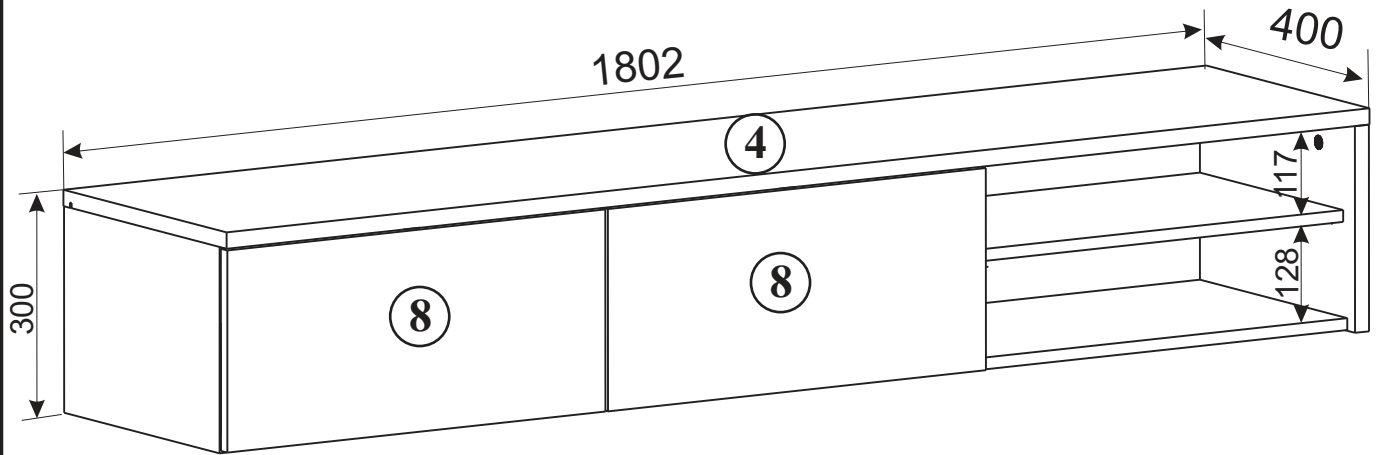
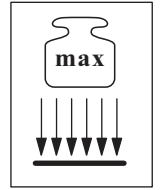
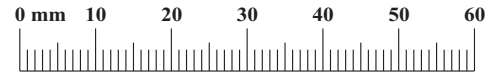


# DALLAS- RTV I \_\_ DL

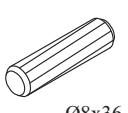

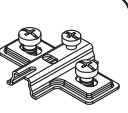
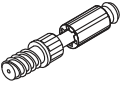


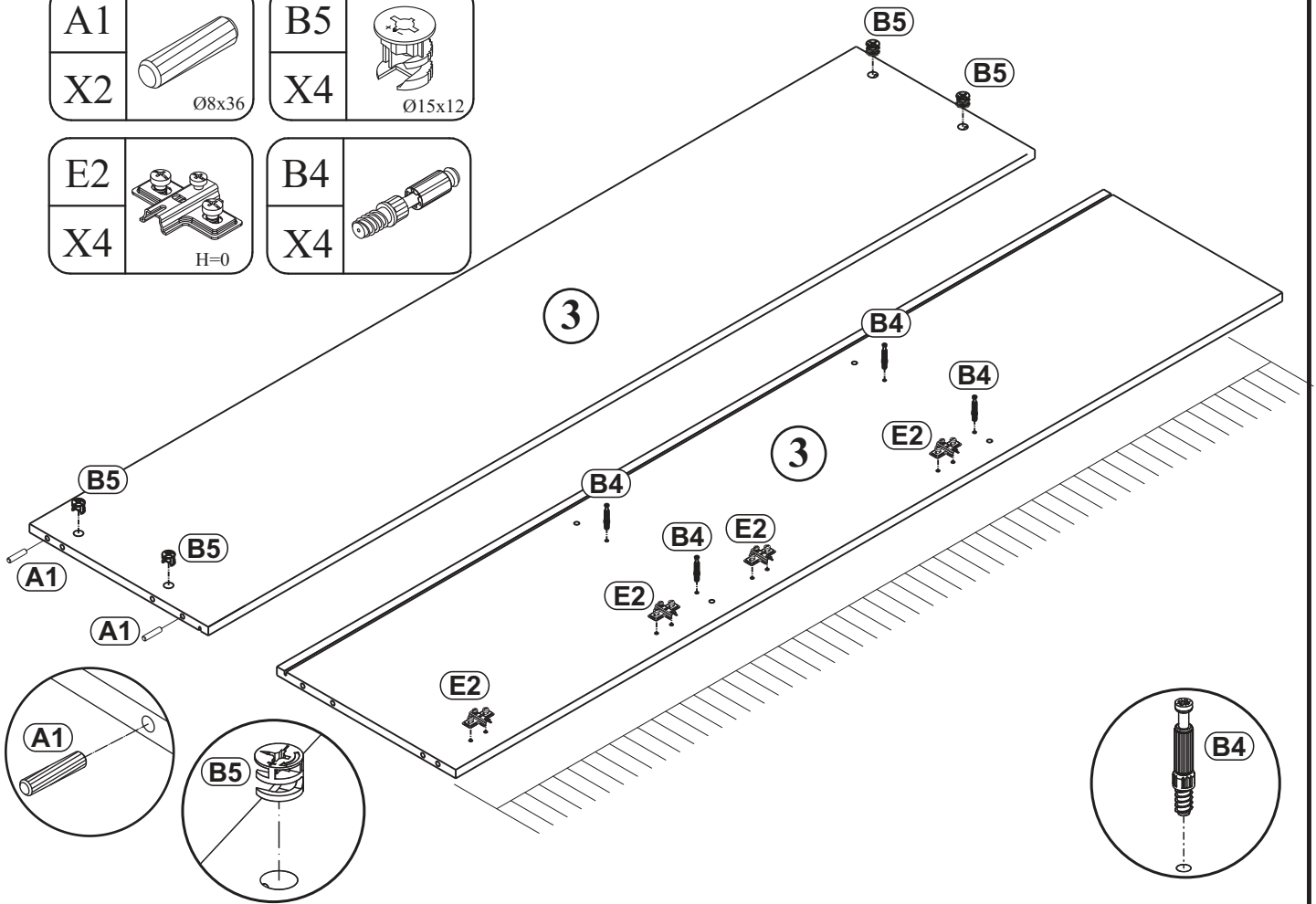
NO	DIM.			COL.-NO	QTY
1	278	381	16	1/1	1
2	278	400	22	1/1	1
3	1762	381	16	1/1	1
4	1802	400	22	1/1	1
5	261	361	16	1/1	1
6	261	361	16	1/1	1
7	578	351	16	1/1	1
8	596	272	16	1/1	2
9	1774	273	3	1/1	1

A1 X16 Ø8x36	B4 X16 34	B5 X16 Ø15x12	G5 X16	D10 X16 USØ3,5x13	E21 X4 Ø35 H=0
E2 X4 H=0	UP13 X4 UPØ3x16	S1 X14	T3/T5 X2	ZXL X2	ZXP X2
G2 x1	D7 X6 USØ3x16	BO1 X2 OLEJOWY	G7 X4	D6 X8 USØ3,5x30	
KR3 X4 Ø10					

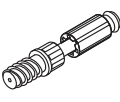
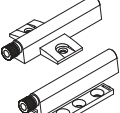
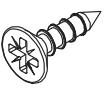


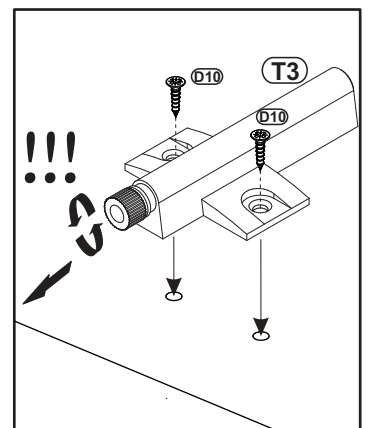
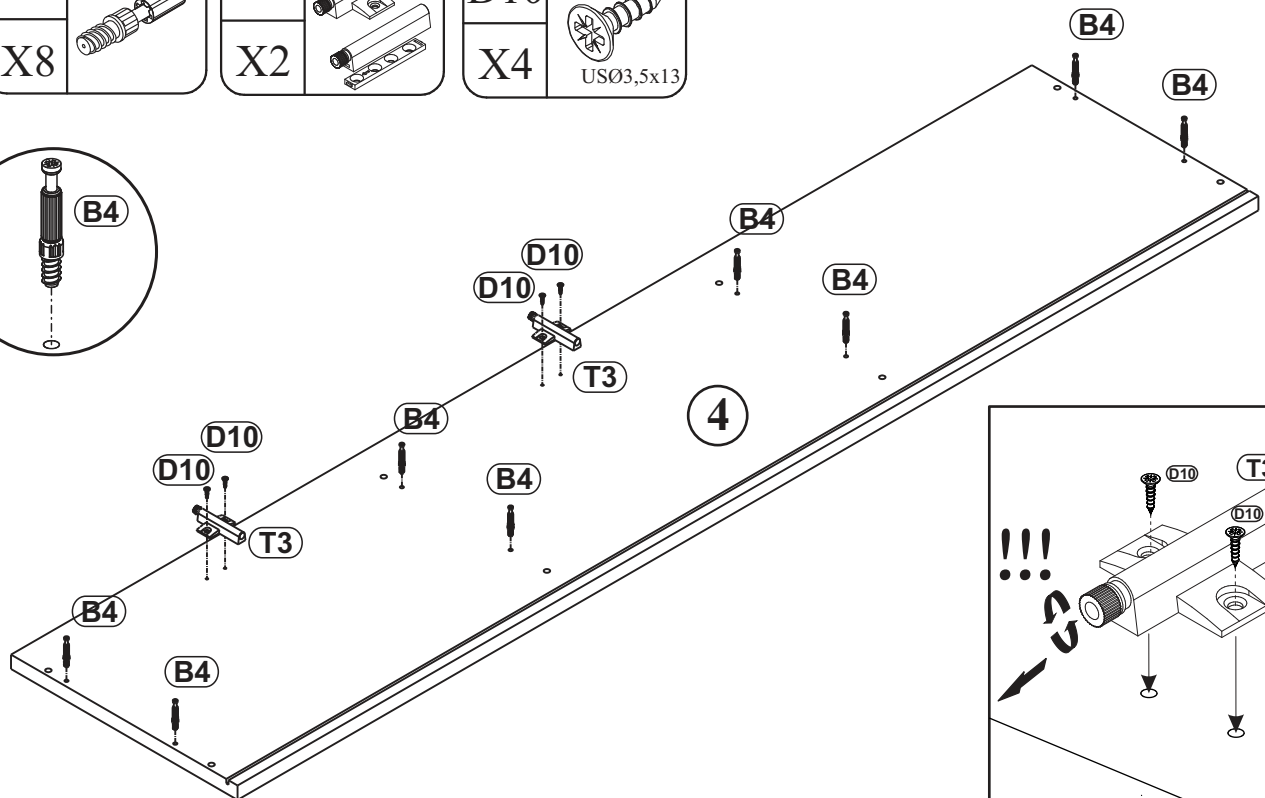
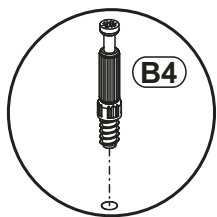
1

A1		B5	
X2	Ø8x36	X4	Ø15x12
E2		B4	
X4	H=0	X4	

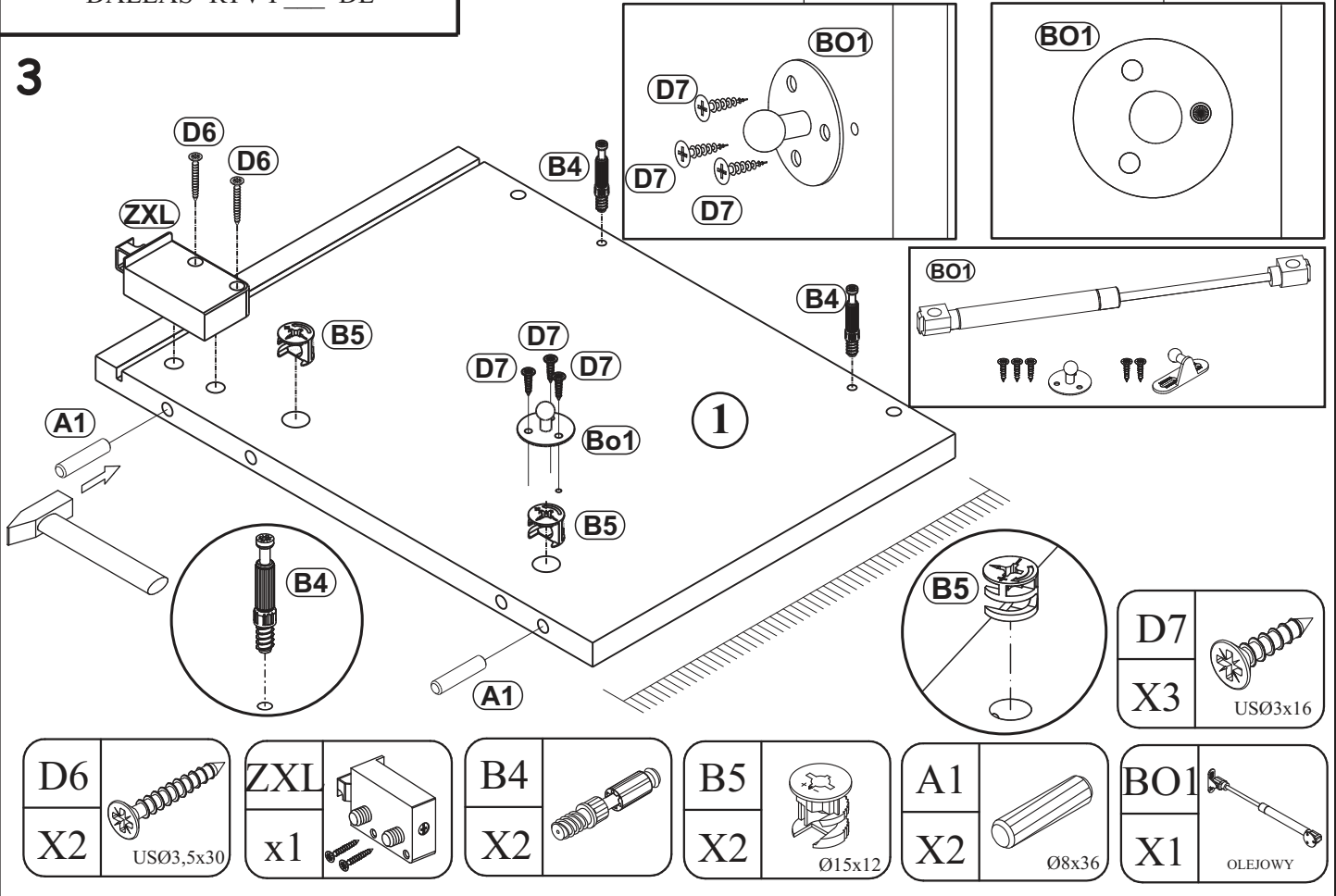


2

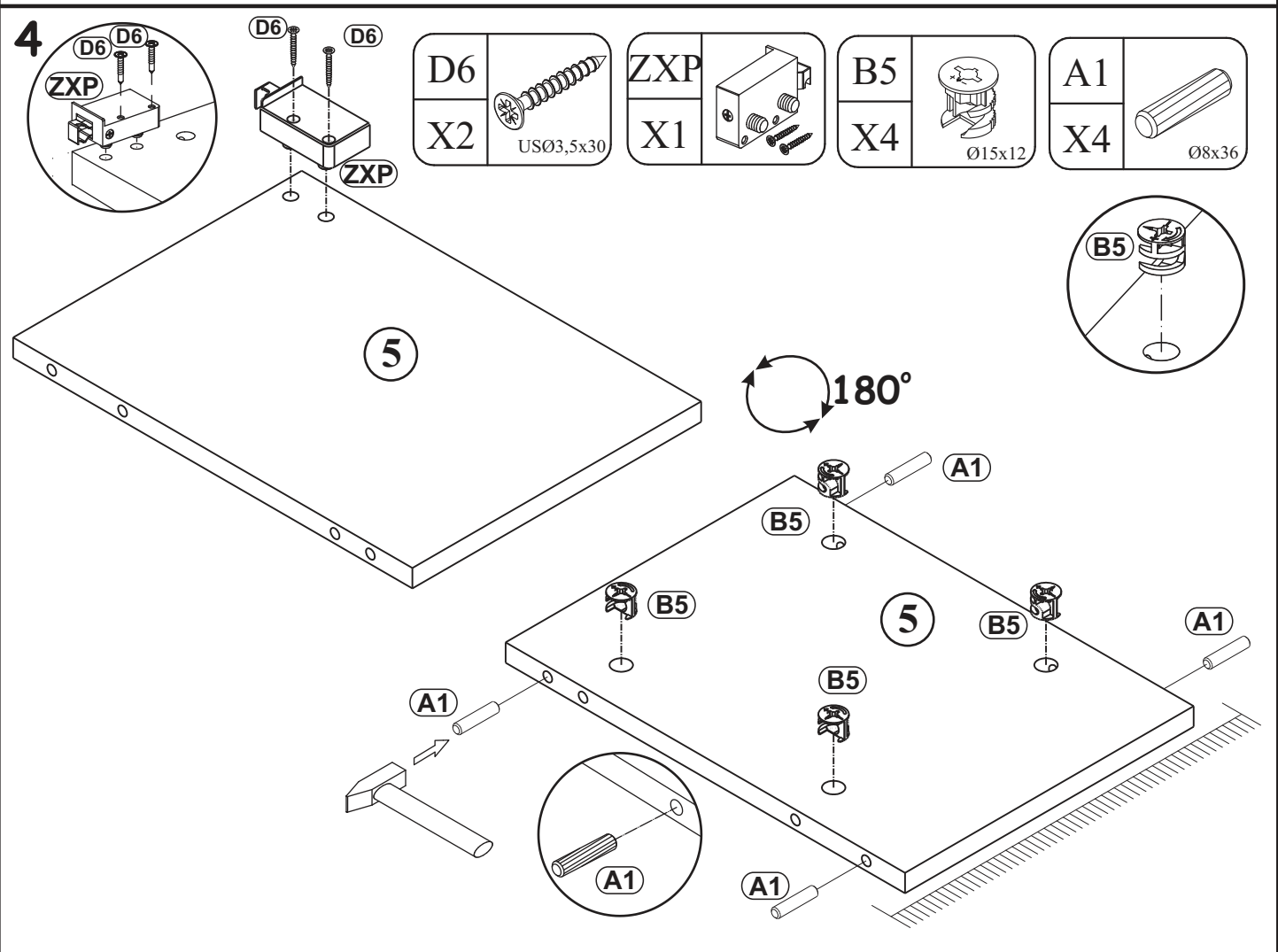
B4		T3/T5		D10	
X8		X2		X4	USØ3,5x13



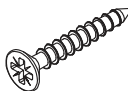
3

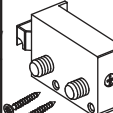



4





5

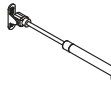
D6	
X2	USØ3,5x30

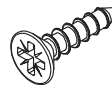
ZXL	
x1	

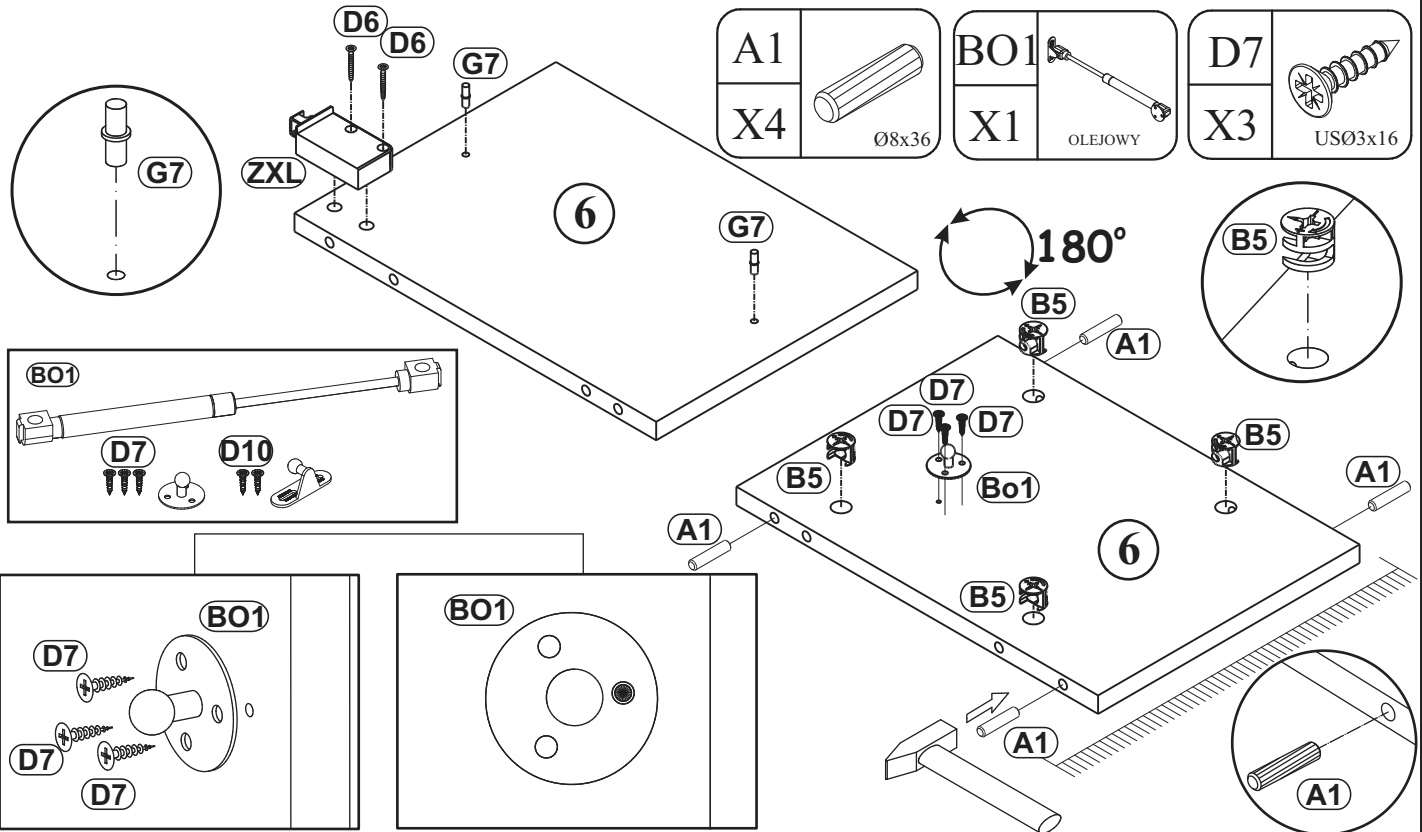
B5	
X4	Ø15x12

G7	
X2	


A1	
X4	Ø8x36


BO1	
X1	OLEJOWY


D7	
X3	USØ3x16

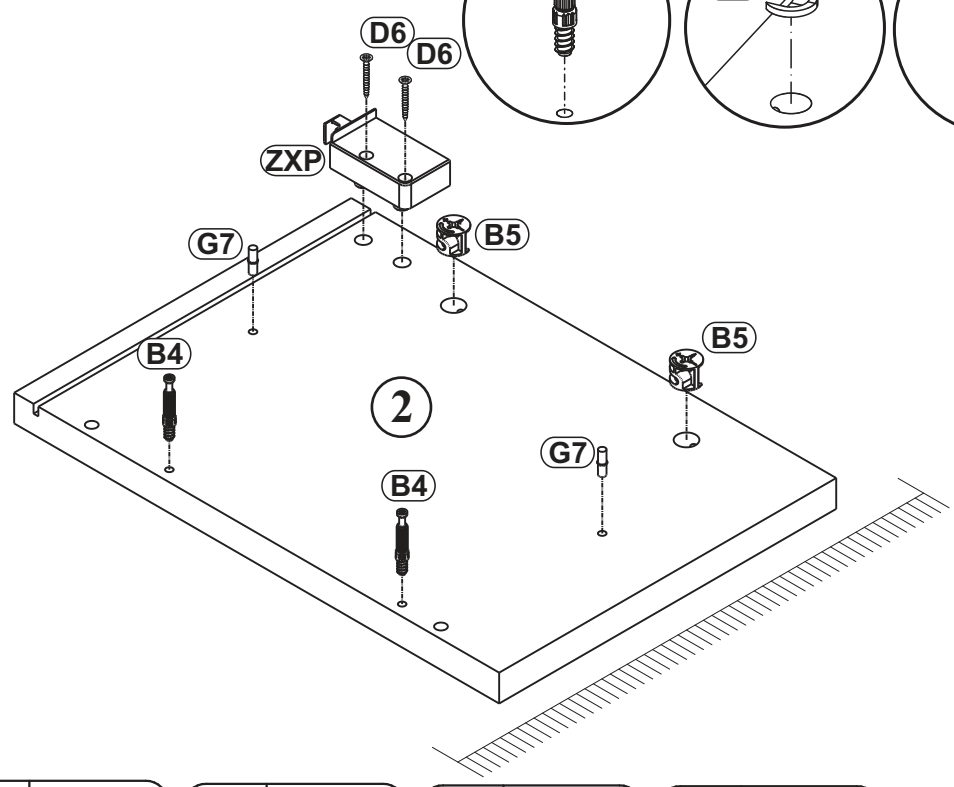


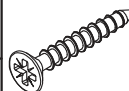
6

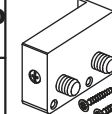
B4	
----	--

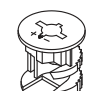
B5	
----	---


G7	
----	---

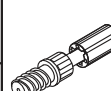


D6	
X2	USØ3,5x30


ZXP	
X1	

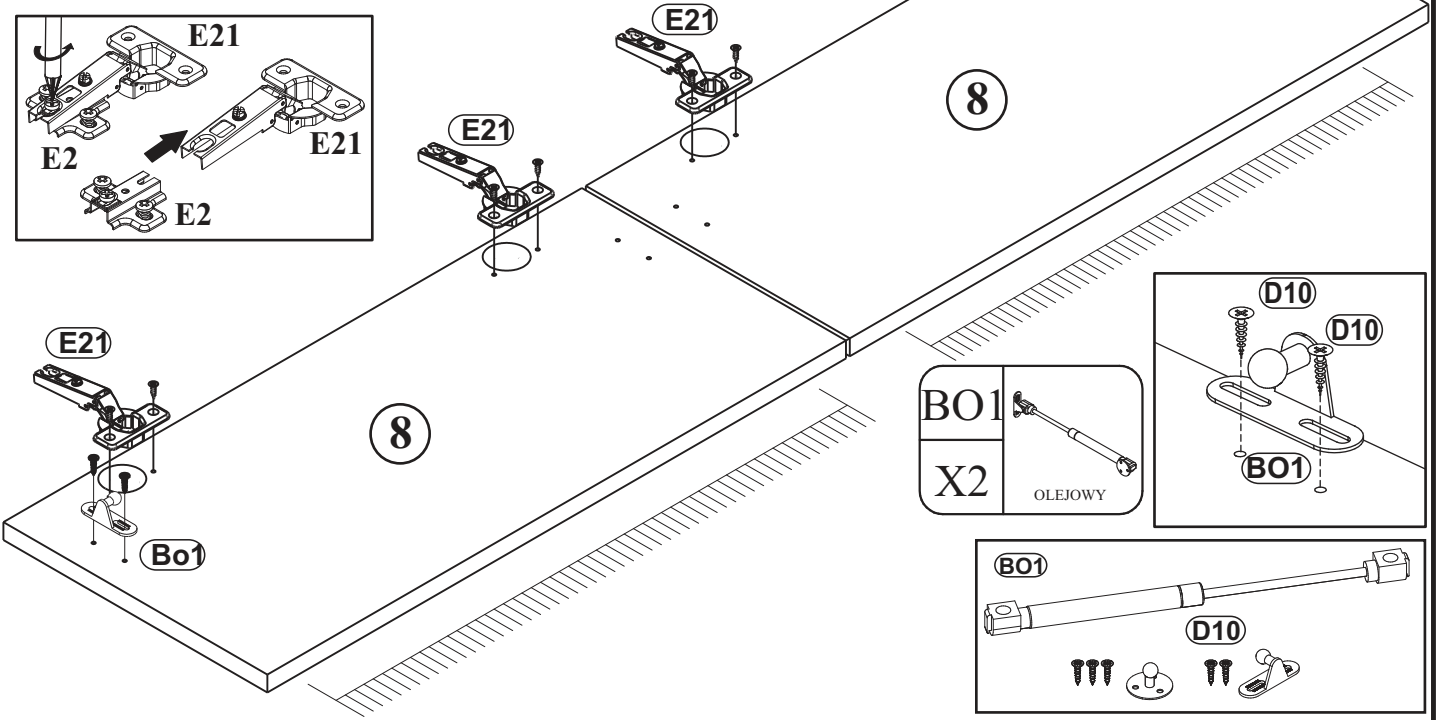
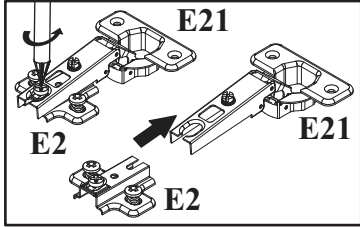
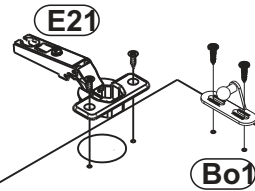
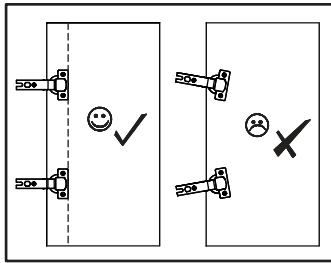
B5	
X2	Ø15x12

G7	
X2	

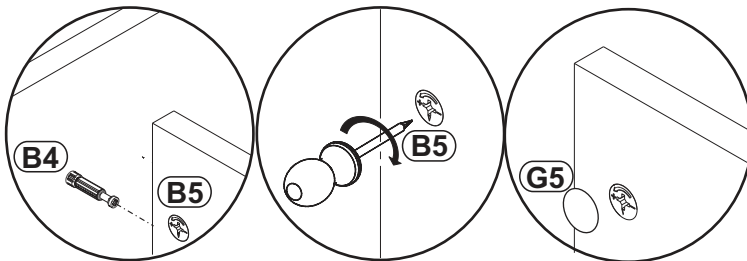
B4	
X2	


**7**

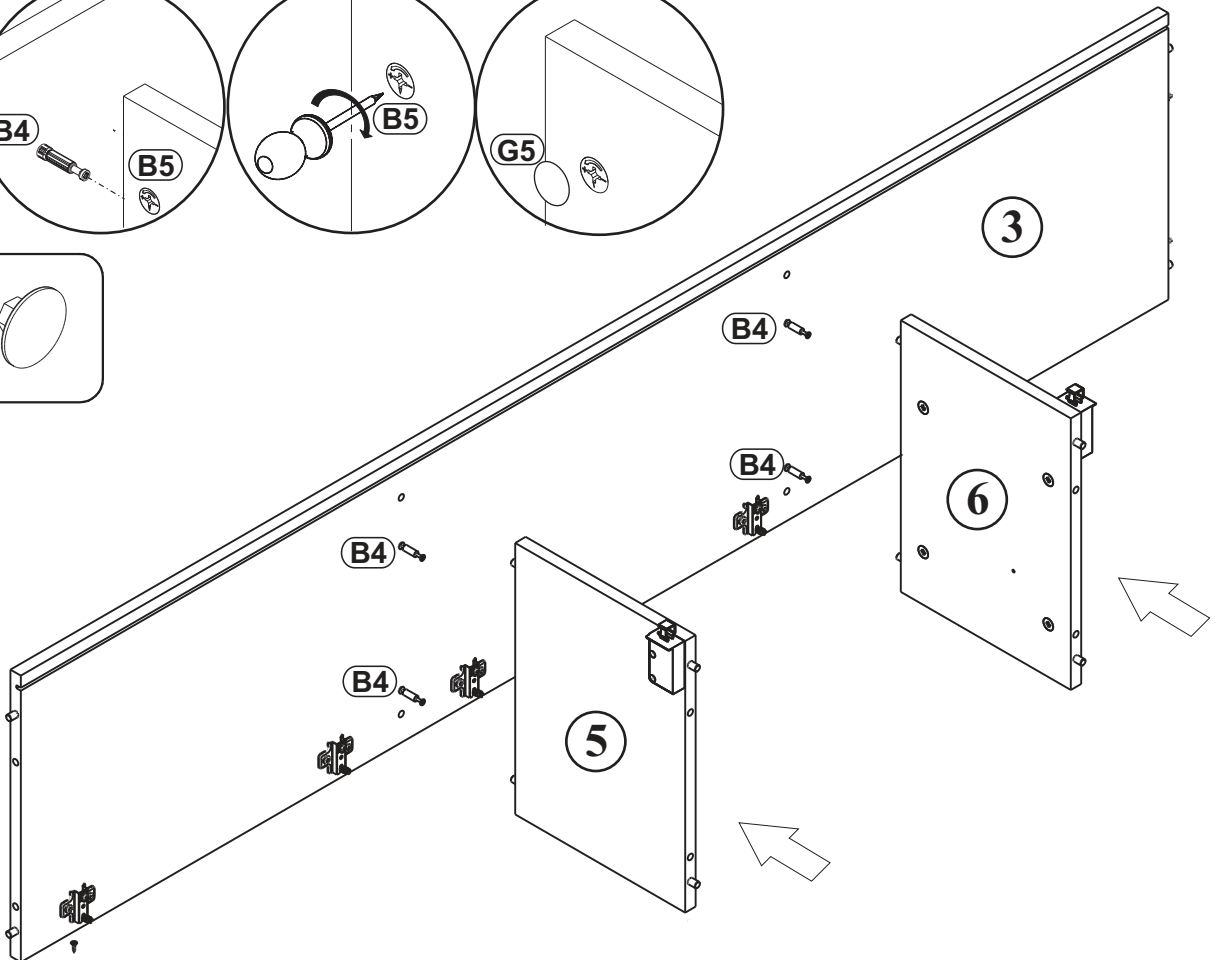
E21	Ø35	D10	 USØ3,5x13
X4	H=0	X12	



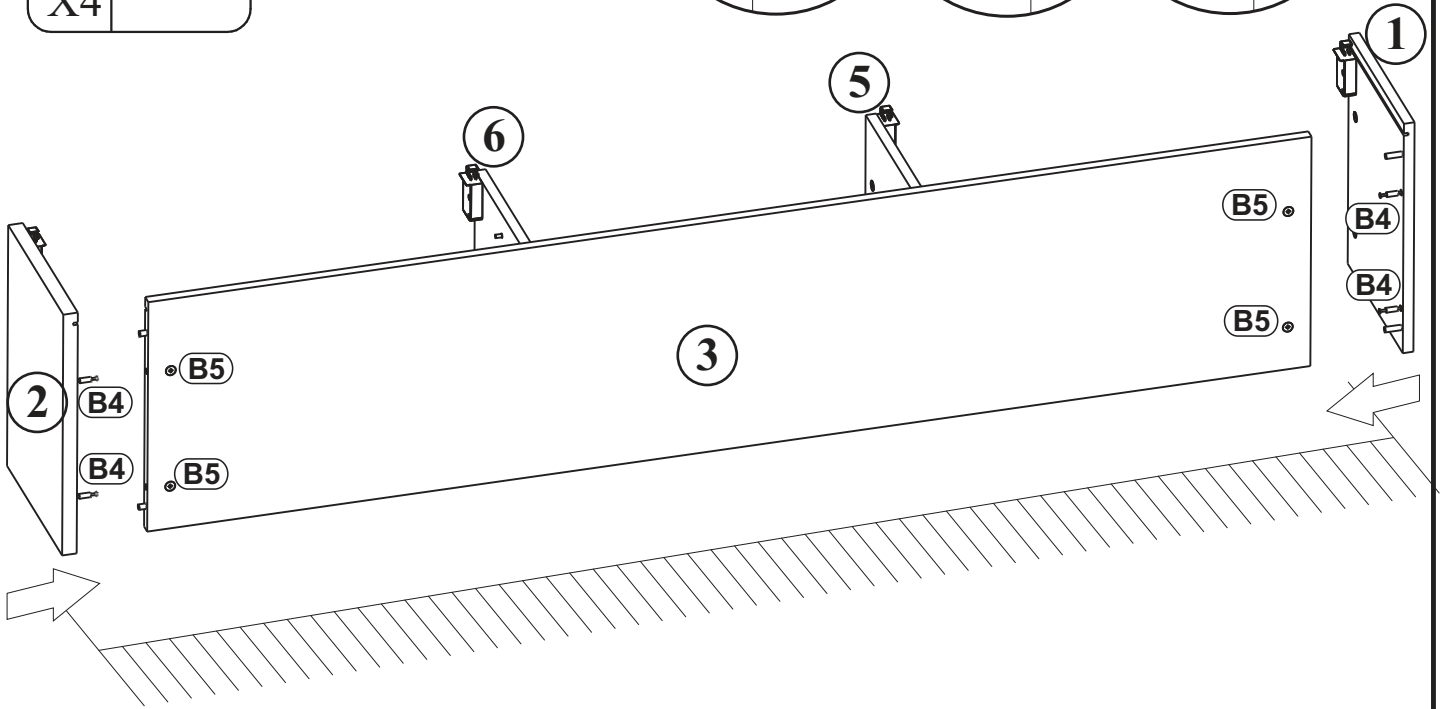
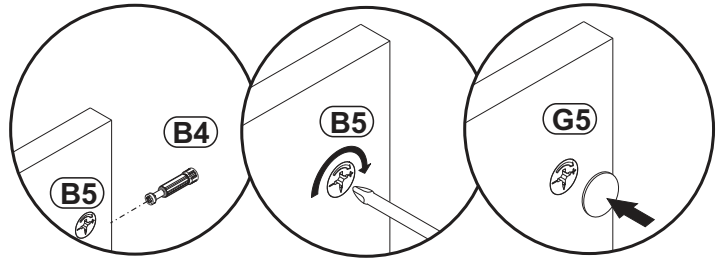
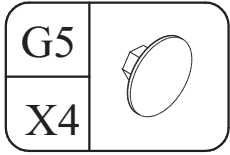
**8**



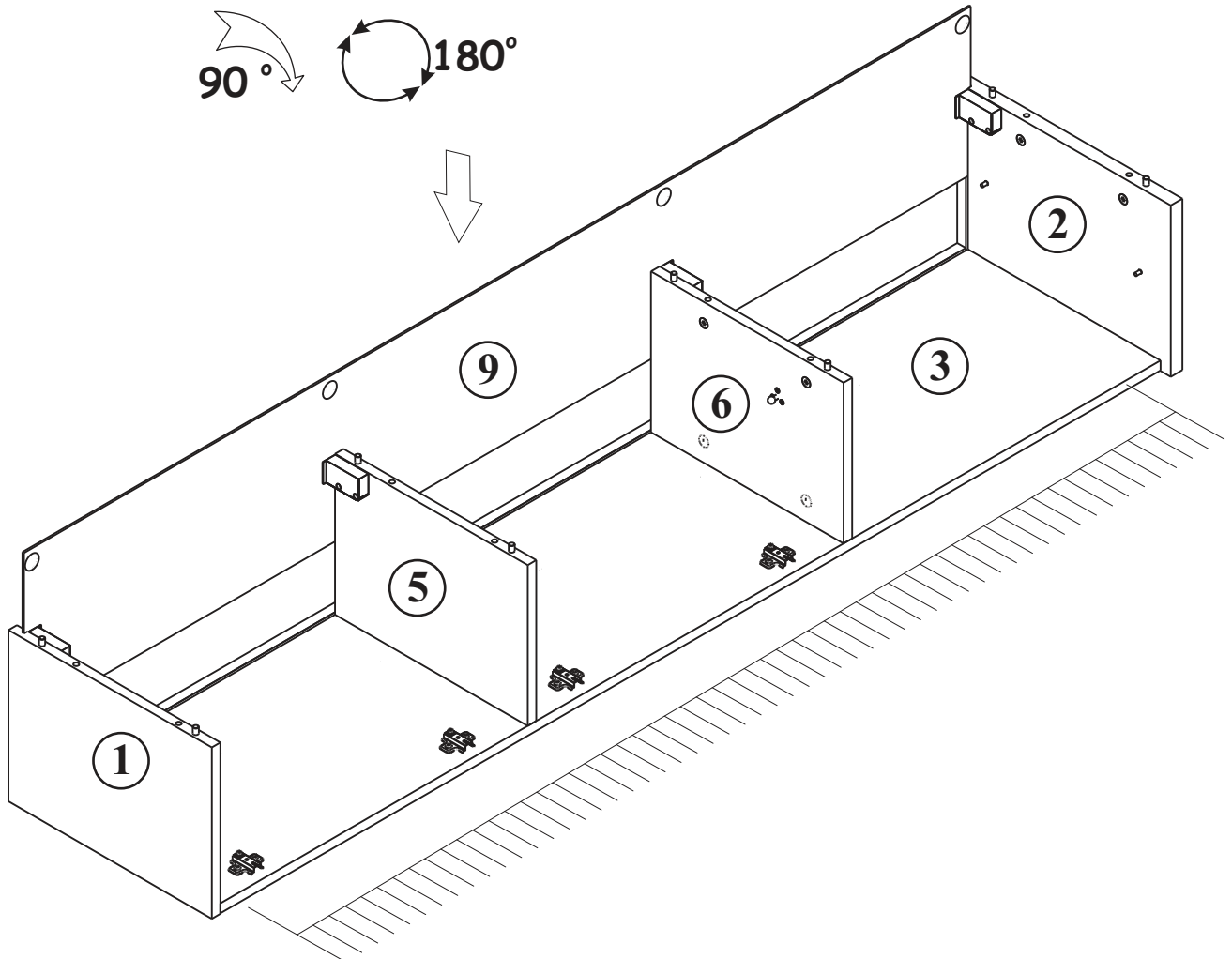
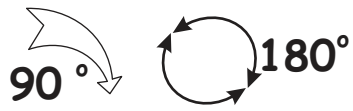
G5	
X4	



9

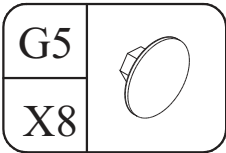
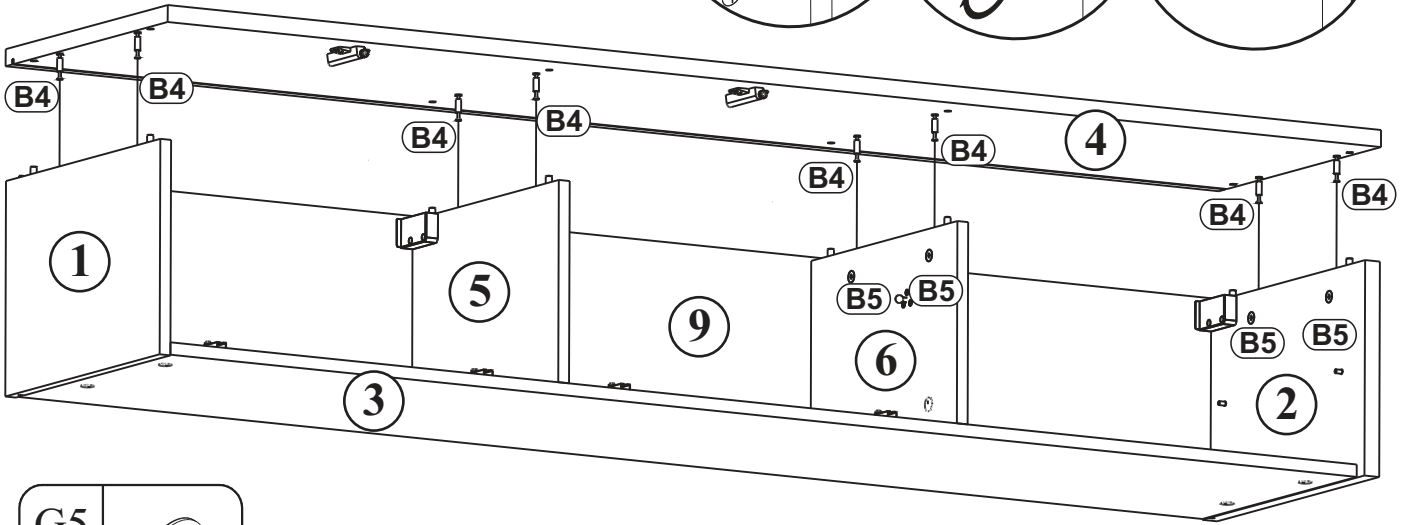
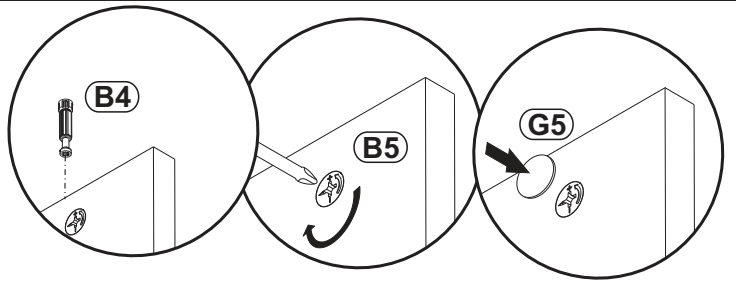


10





11



12

