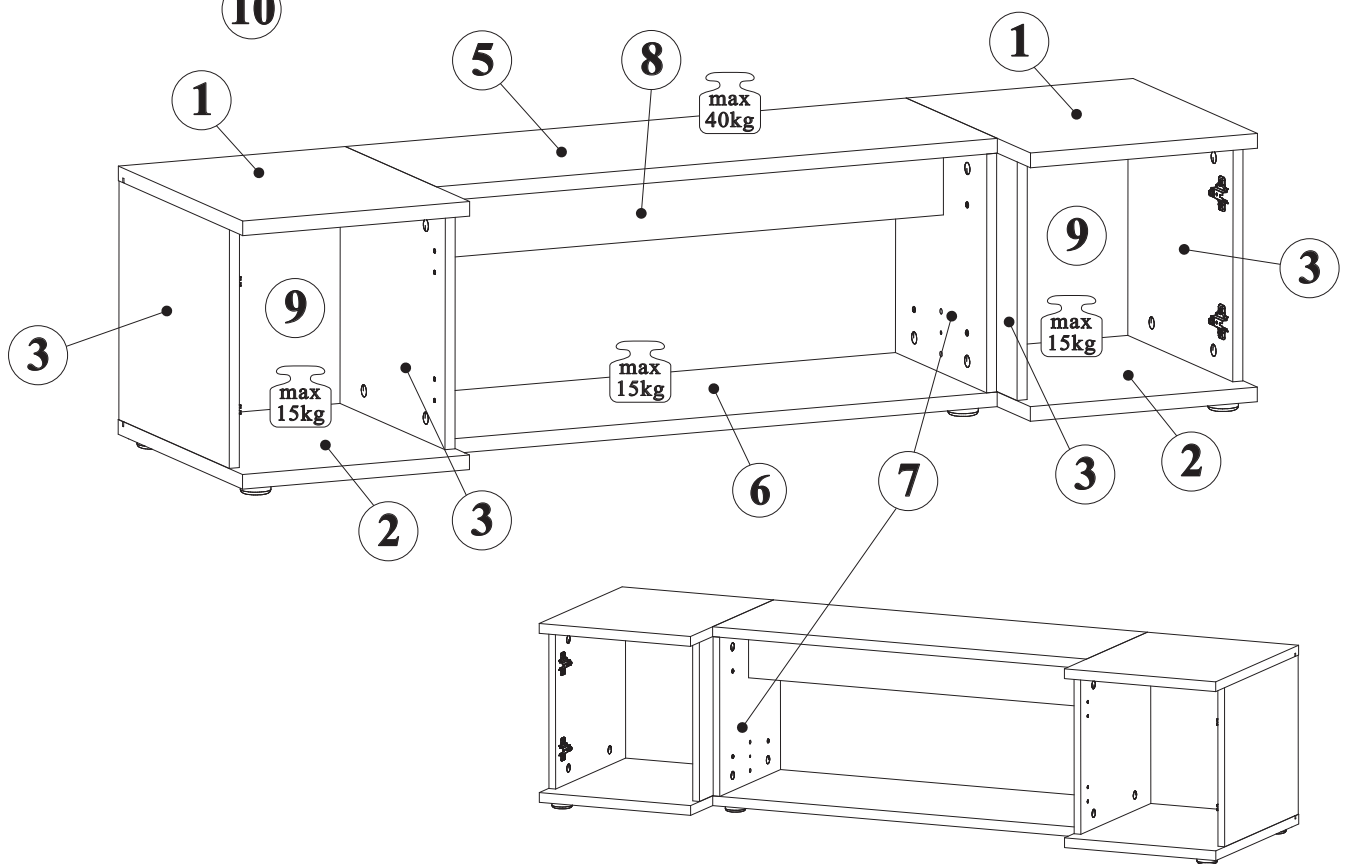
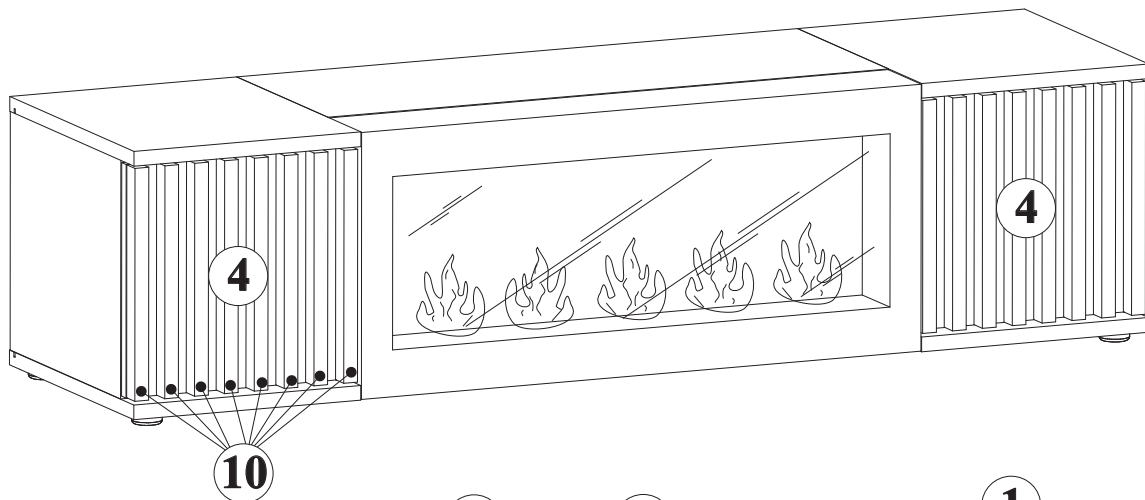
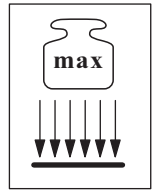
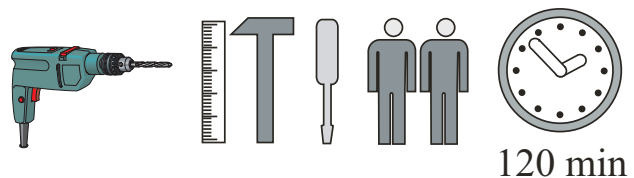


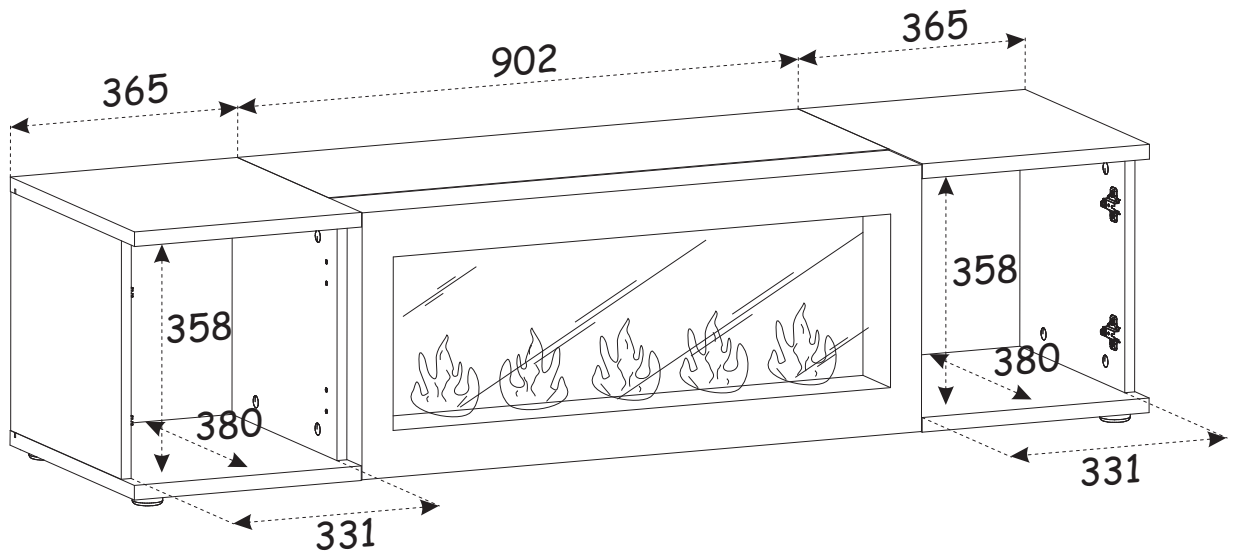
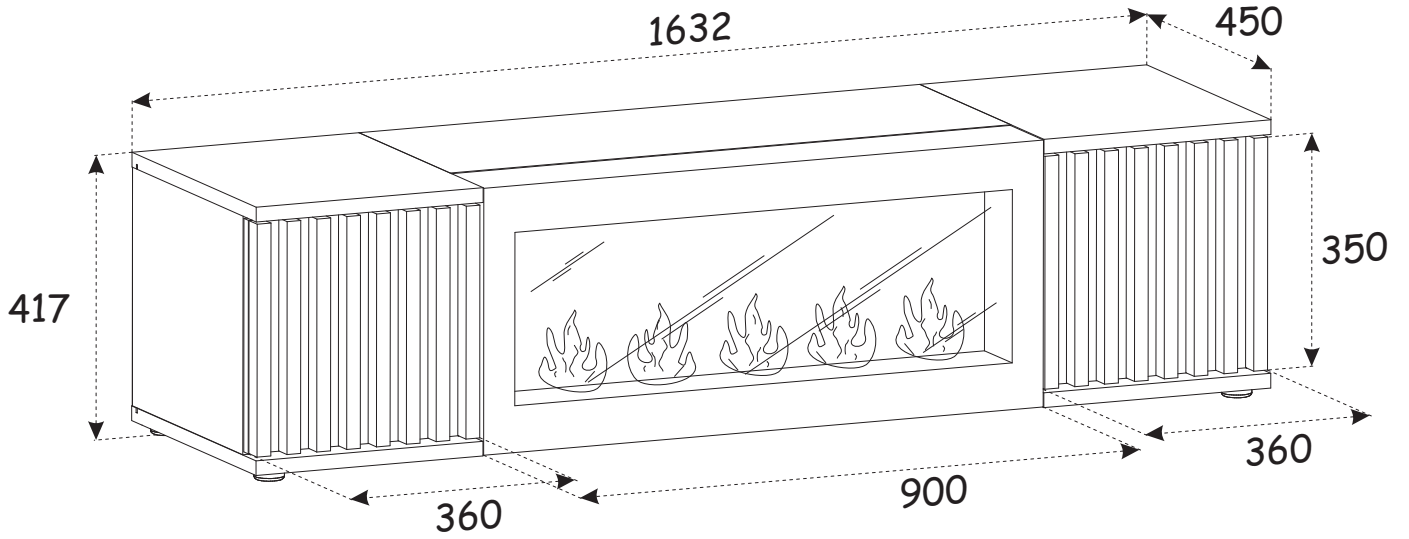
CAMERON ___ CM RTV-K

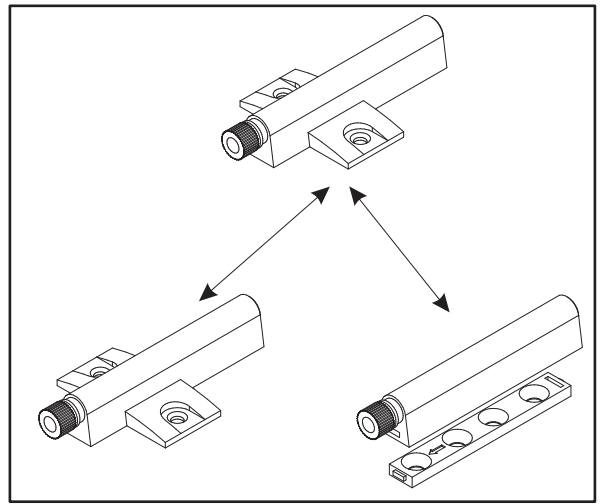
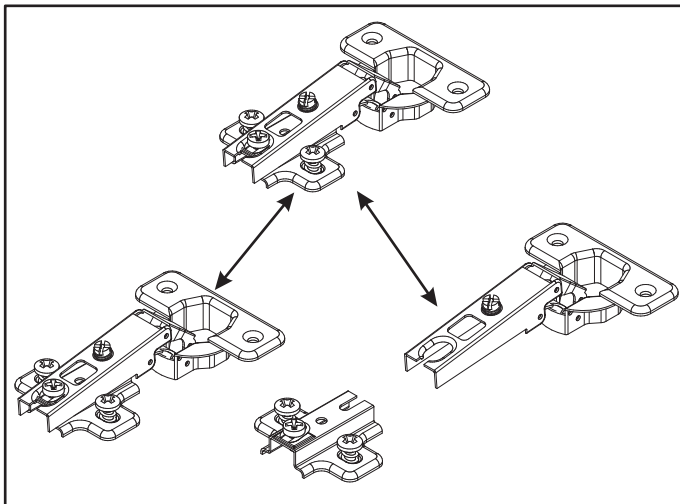
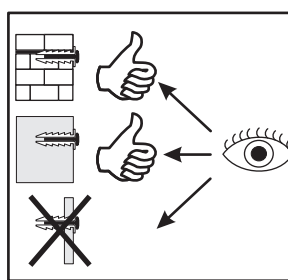
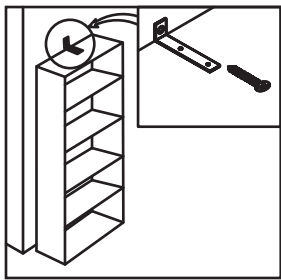
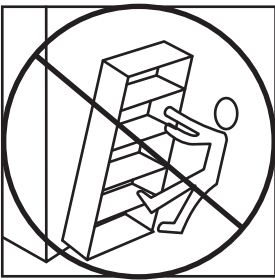
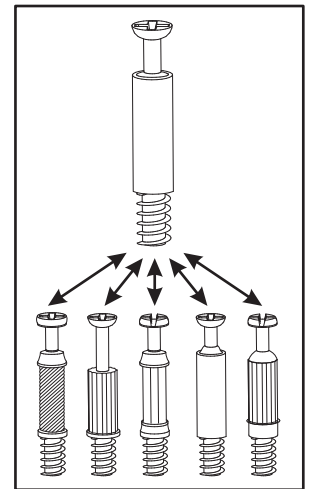
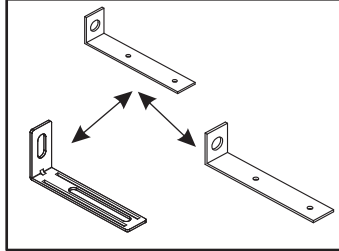
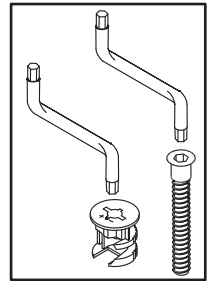
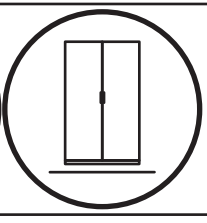
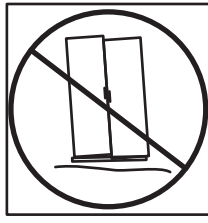
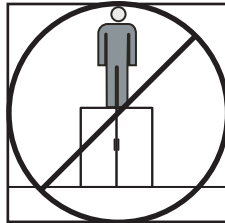
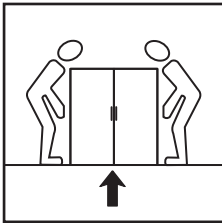
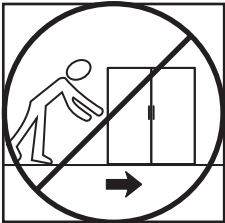
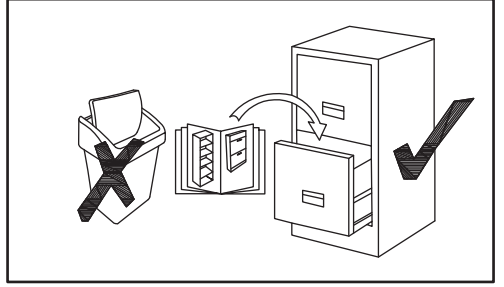
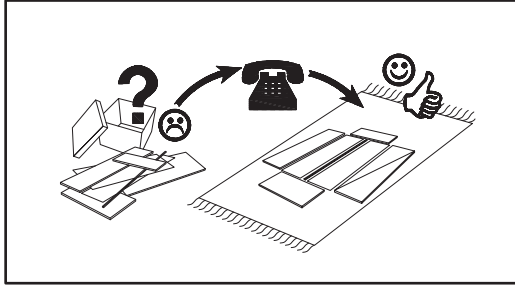
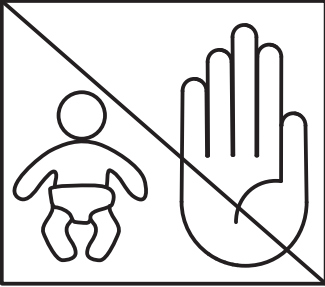
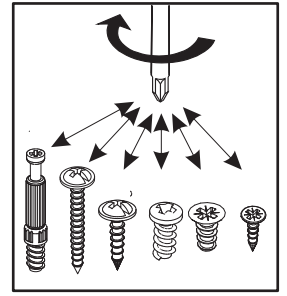
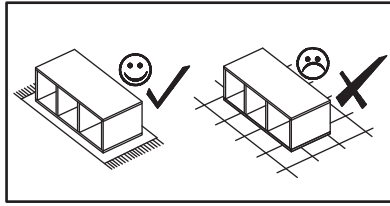
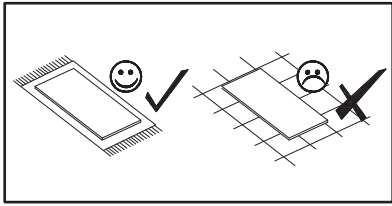


NO	Dim (mm)			Col.-No	Qty
1	365	450	22	1/2	2
2	365	450	22	1/2	2
3	358	400	16	1/2	4
4	350	360	16	1/2	2
5	902	330	22	2/2	1
6	902	330	22	2/2	1
7	358	330	16	2/2	2
8	868	120	16	2/2	1
9	370	343	3	2/2	2
10	349	30	22	2/2	16

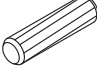


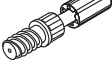


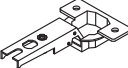


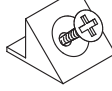




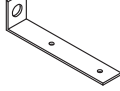
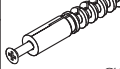




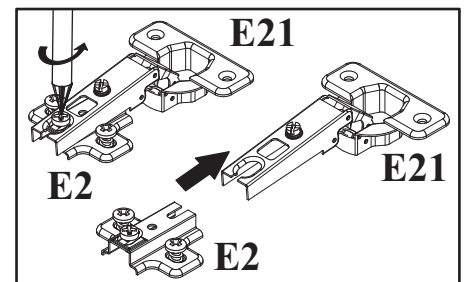
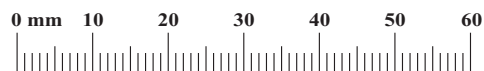
120 min



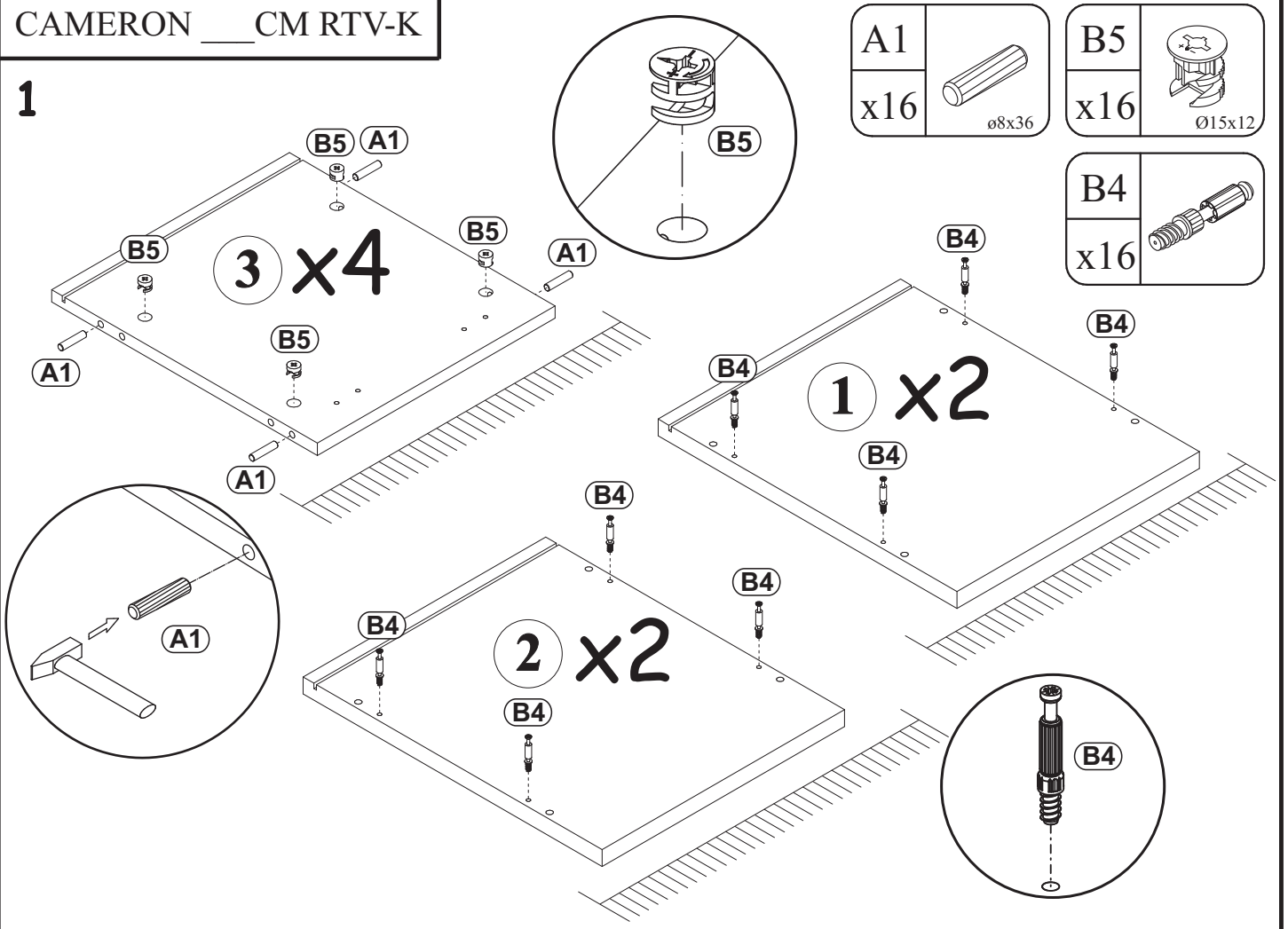


CAMERON ___ CM RTV-K

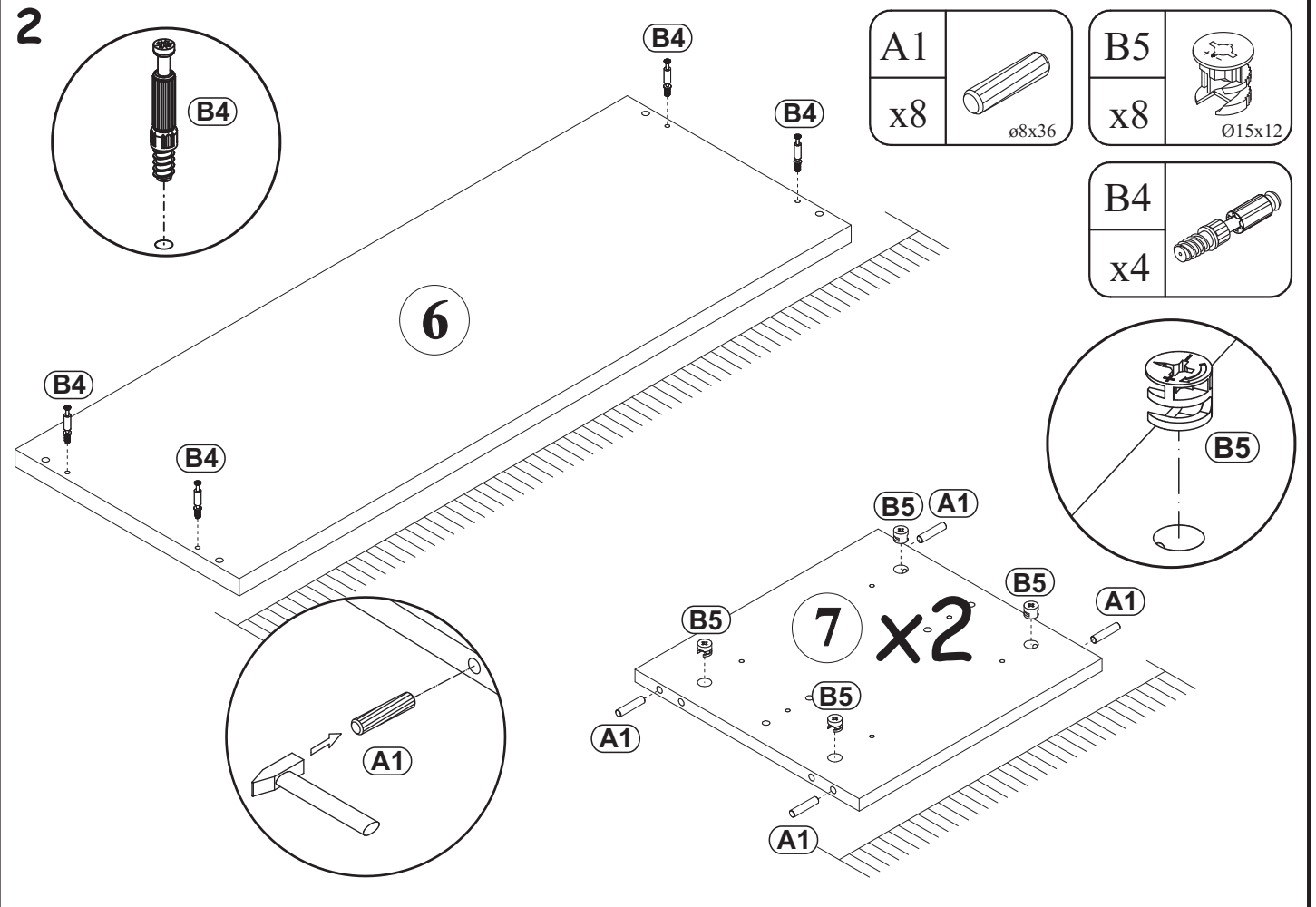
A1 x28  ø8x36	B22 x32  Ø7x40	G4 x28 	B4 x26 	B5 x26  Ø15x12	G5 x26 
E21 x4 Ø35 H=0 	E2 x4 H=0 	I11 x8 Ø45, h=15 	S1 x12 	Z2 x8 Ø5 	UP6 x10 UPØ4x30 
UP11 x8 UPØ4x20 	D10 x12 USØ3,5x13 	L1 x2 	KR1 x2 Ø8 	G2 x1 	G12 x4 Ø14 



1

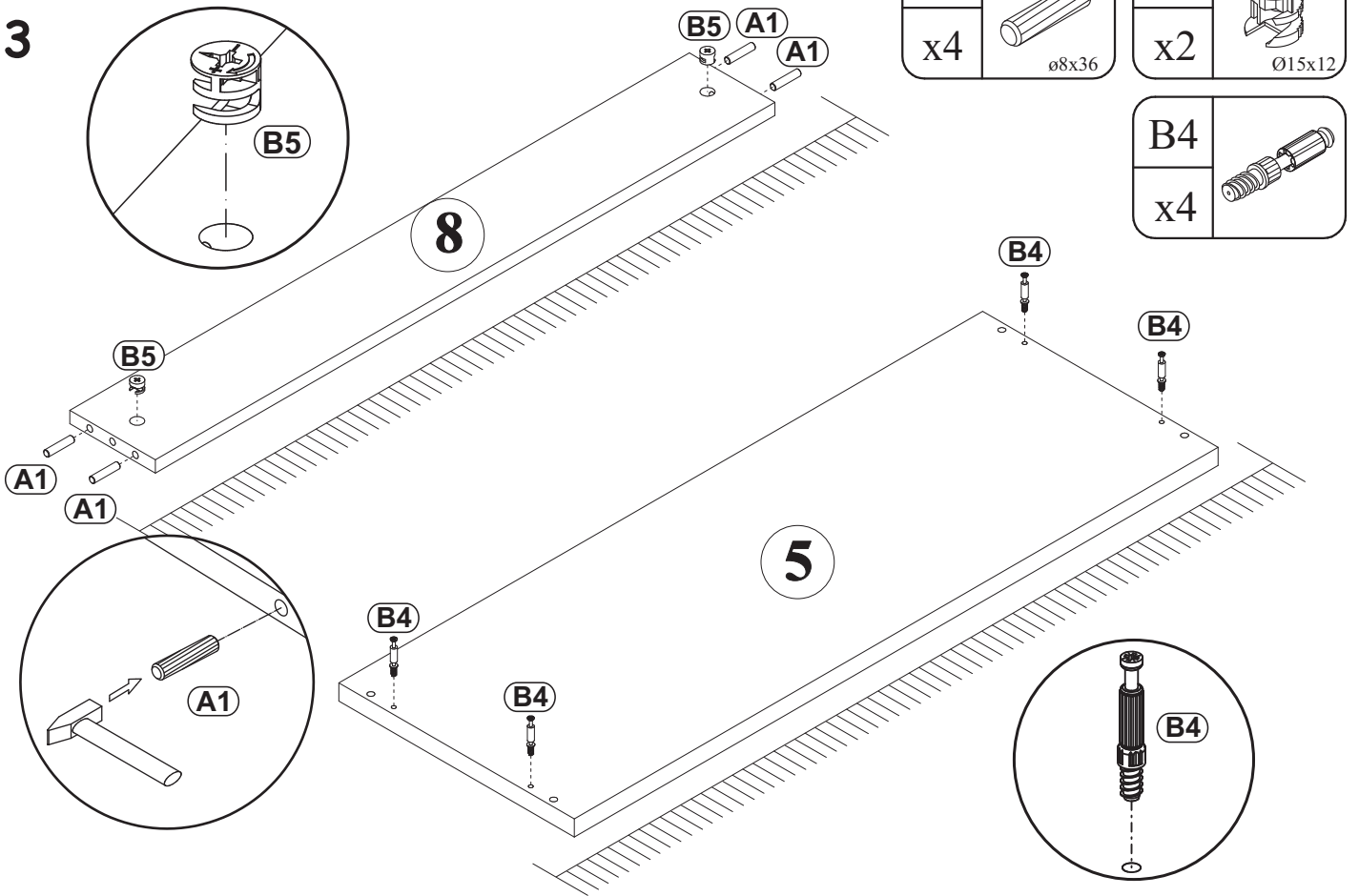


2

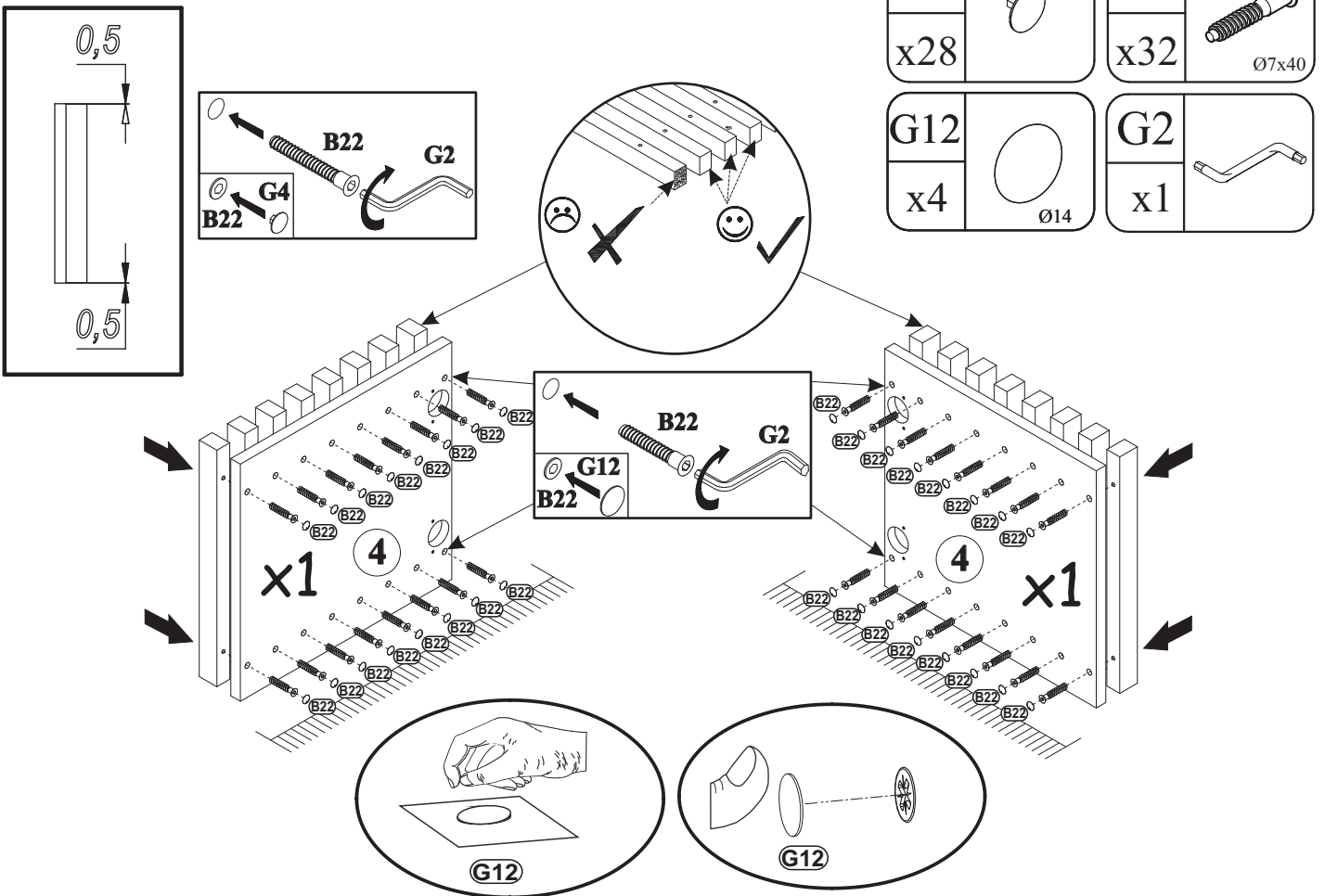


CAMERON ___ CM RTV-K

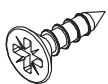
3



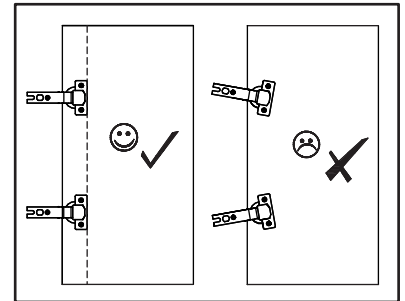
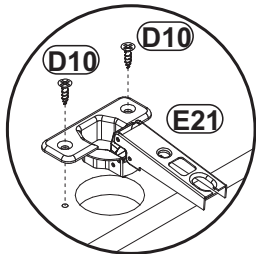
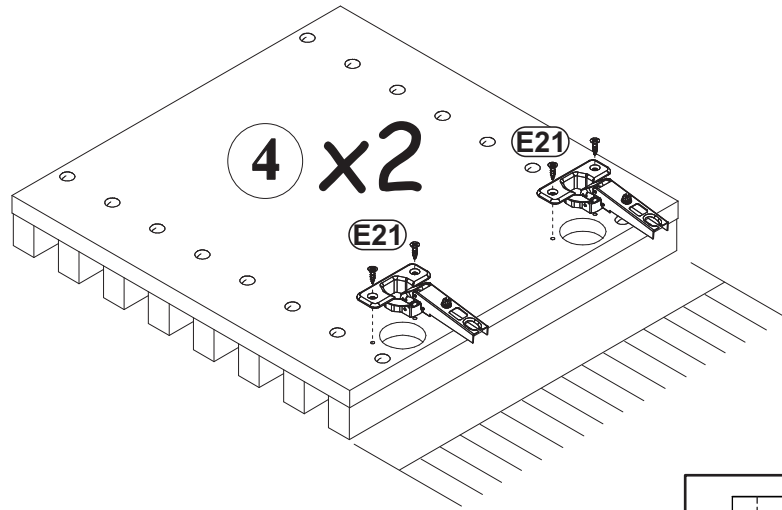
4




5

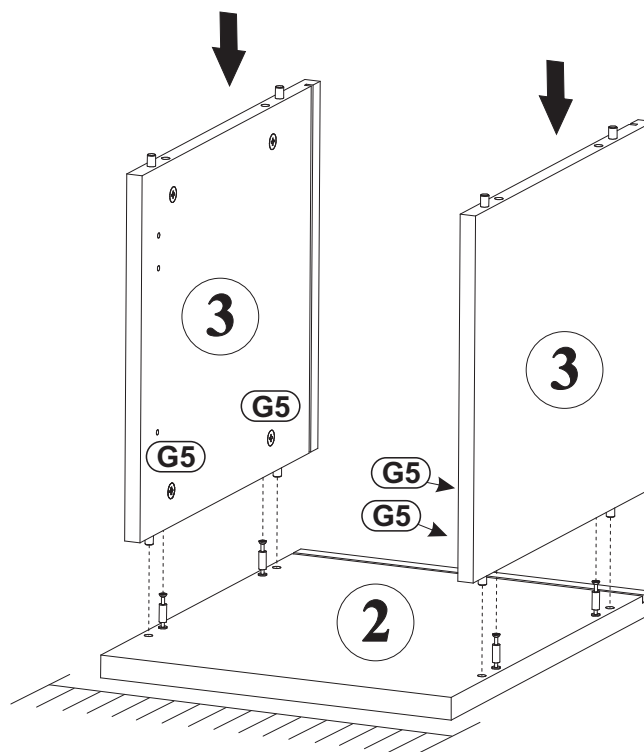
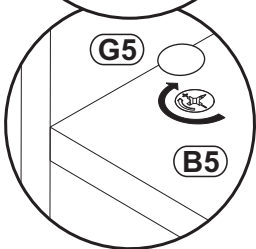
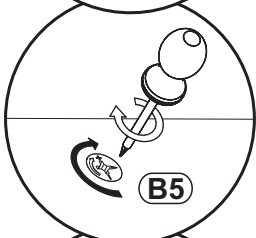
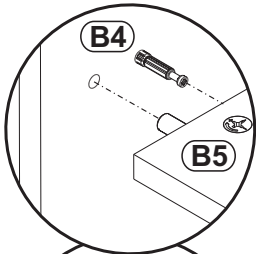
D10	
x8	USØ3,5x13

E21	Ø35
x4	H=0



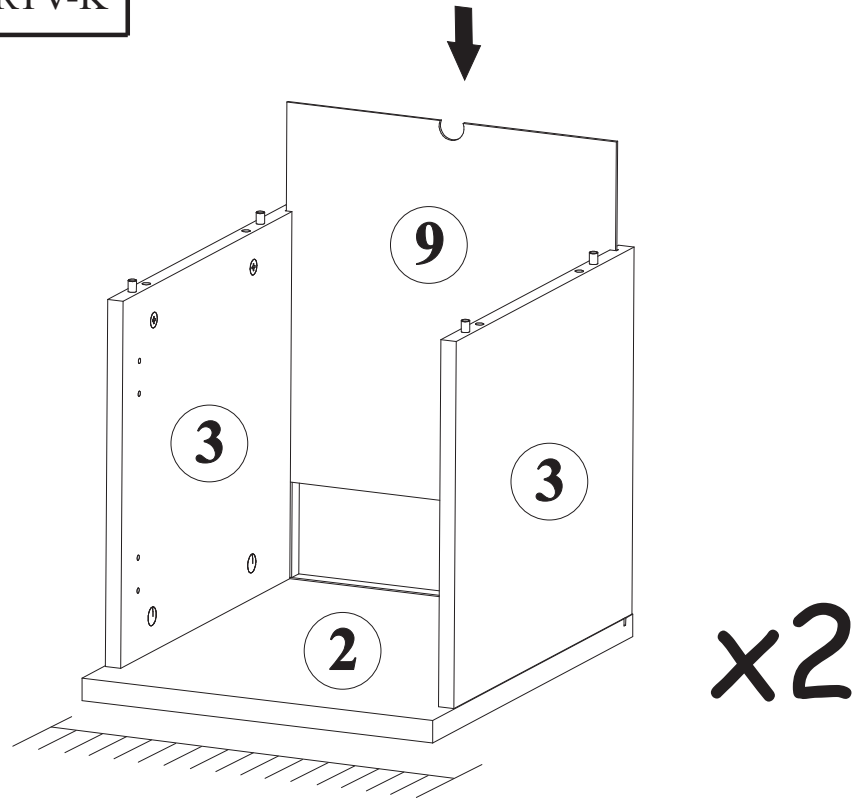
6

G5	
x8	

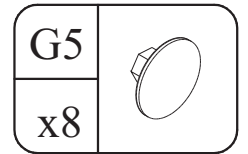
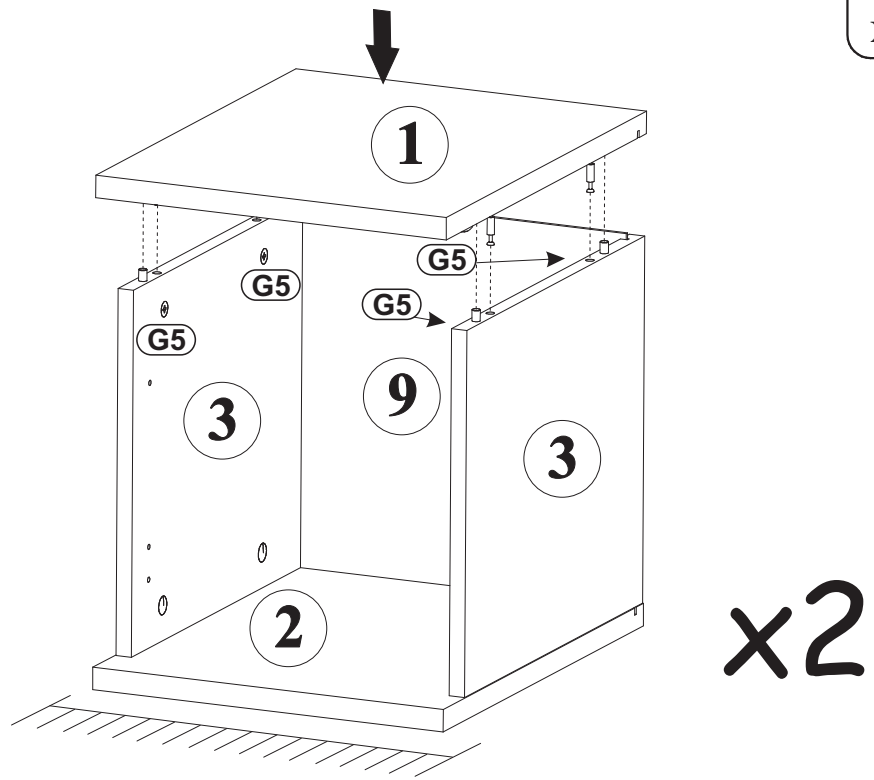
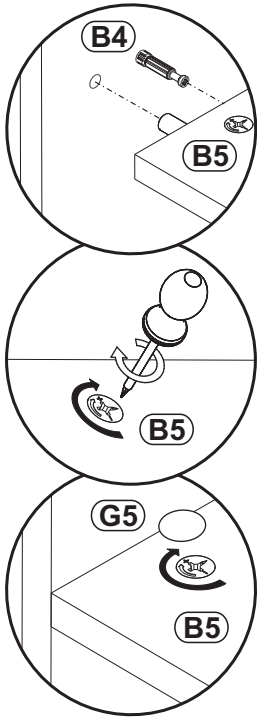


x2

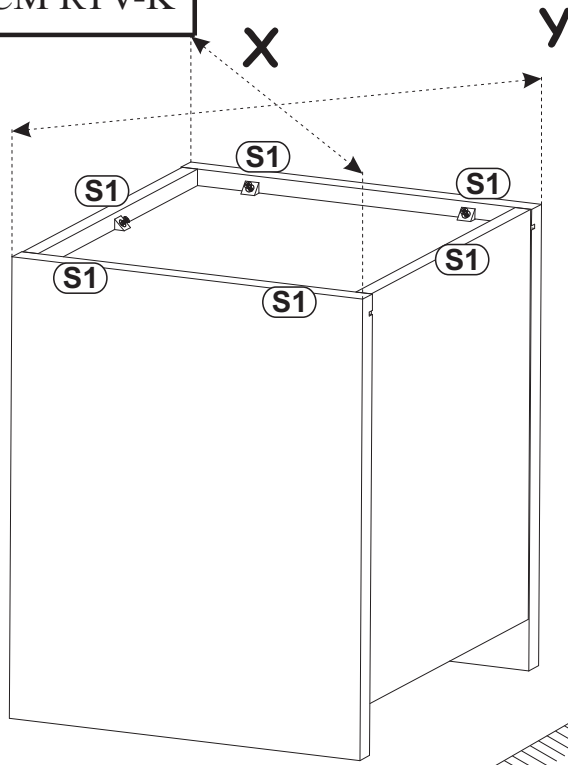
7



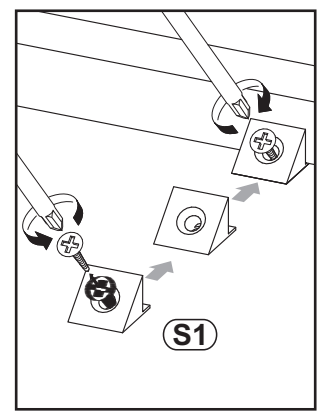
8



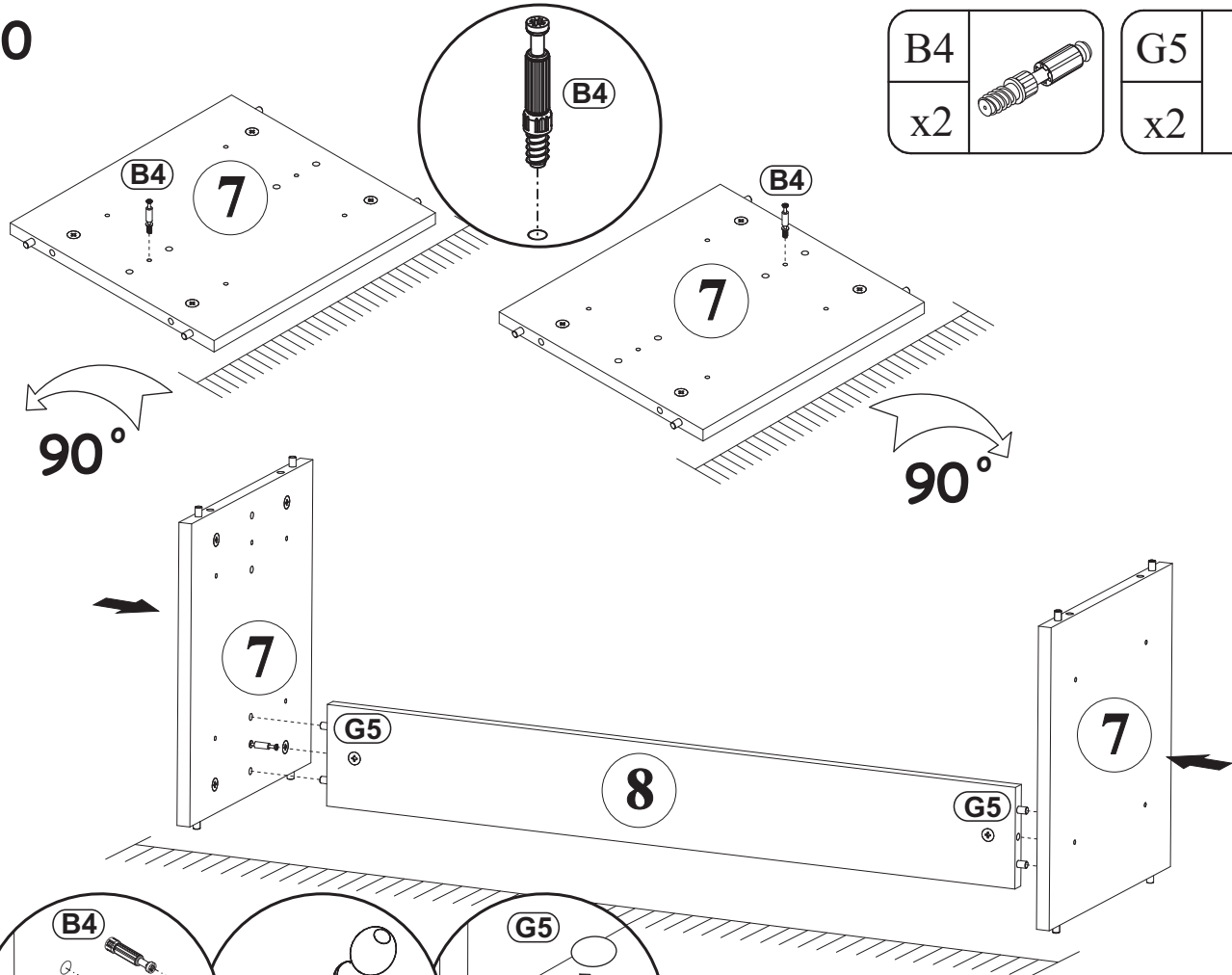
9



S1	
x12	

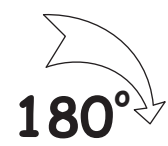
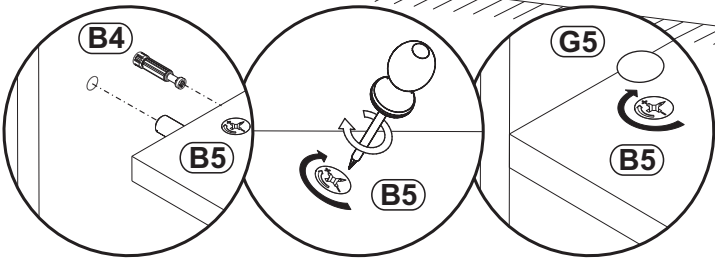



10



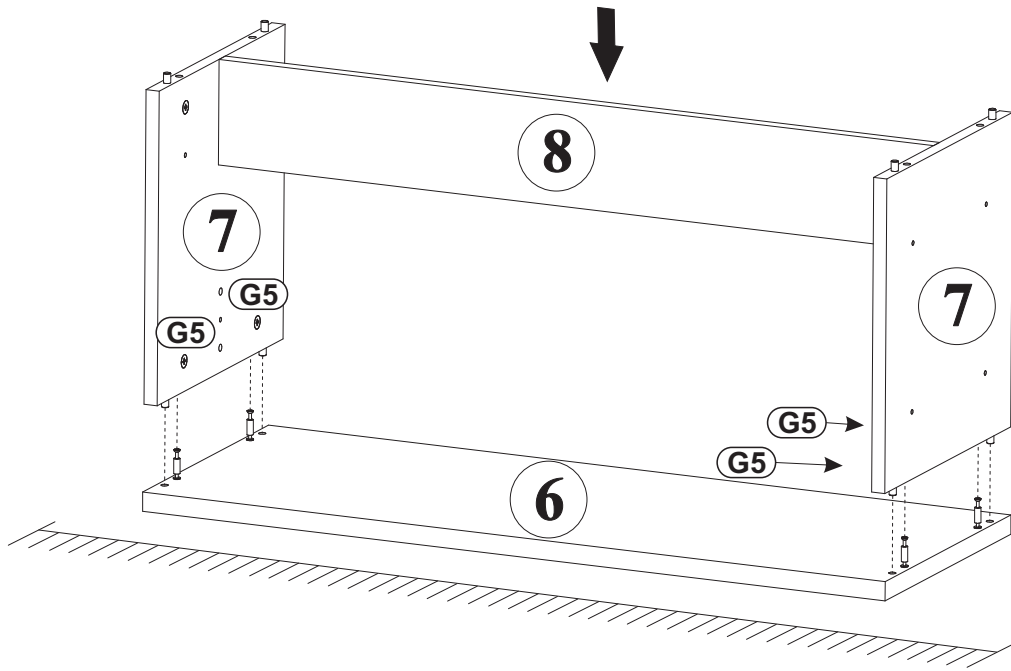
B4	
x2	

G5	
x2	

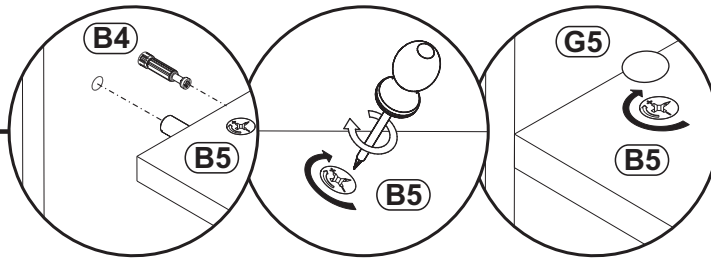



G5	
x4	

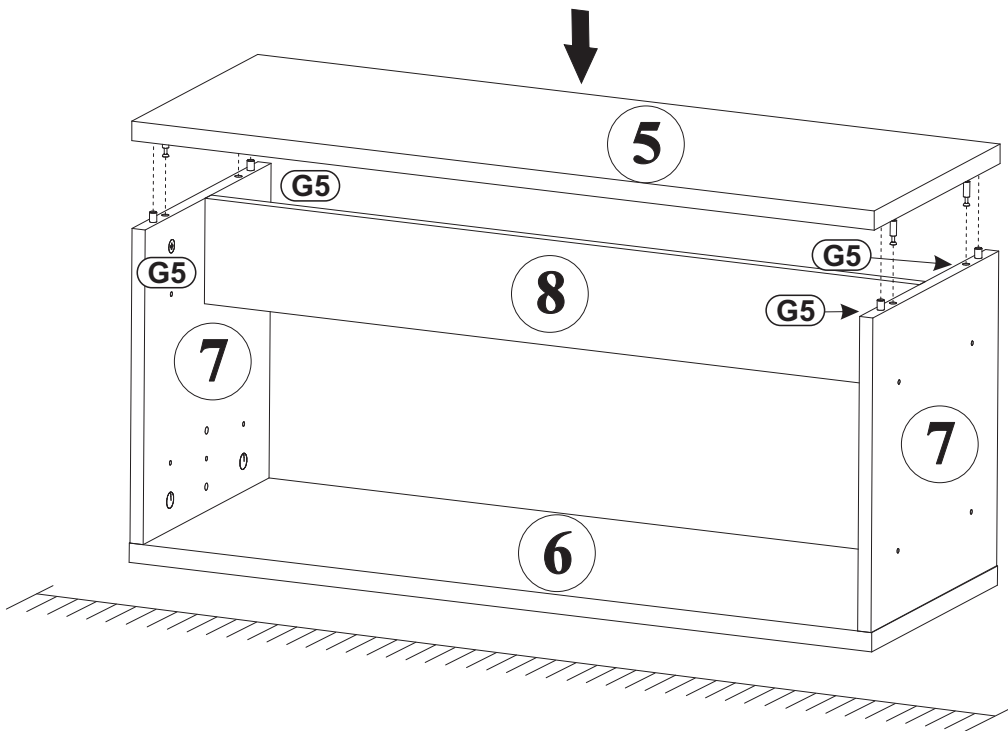
11




12

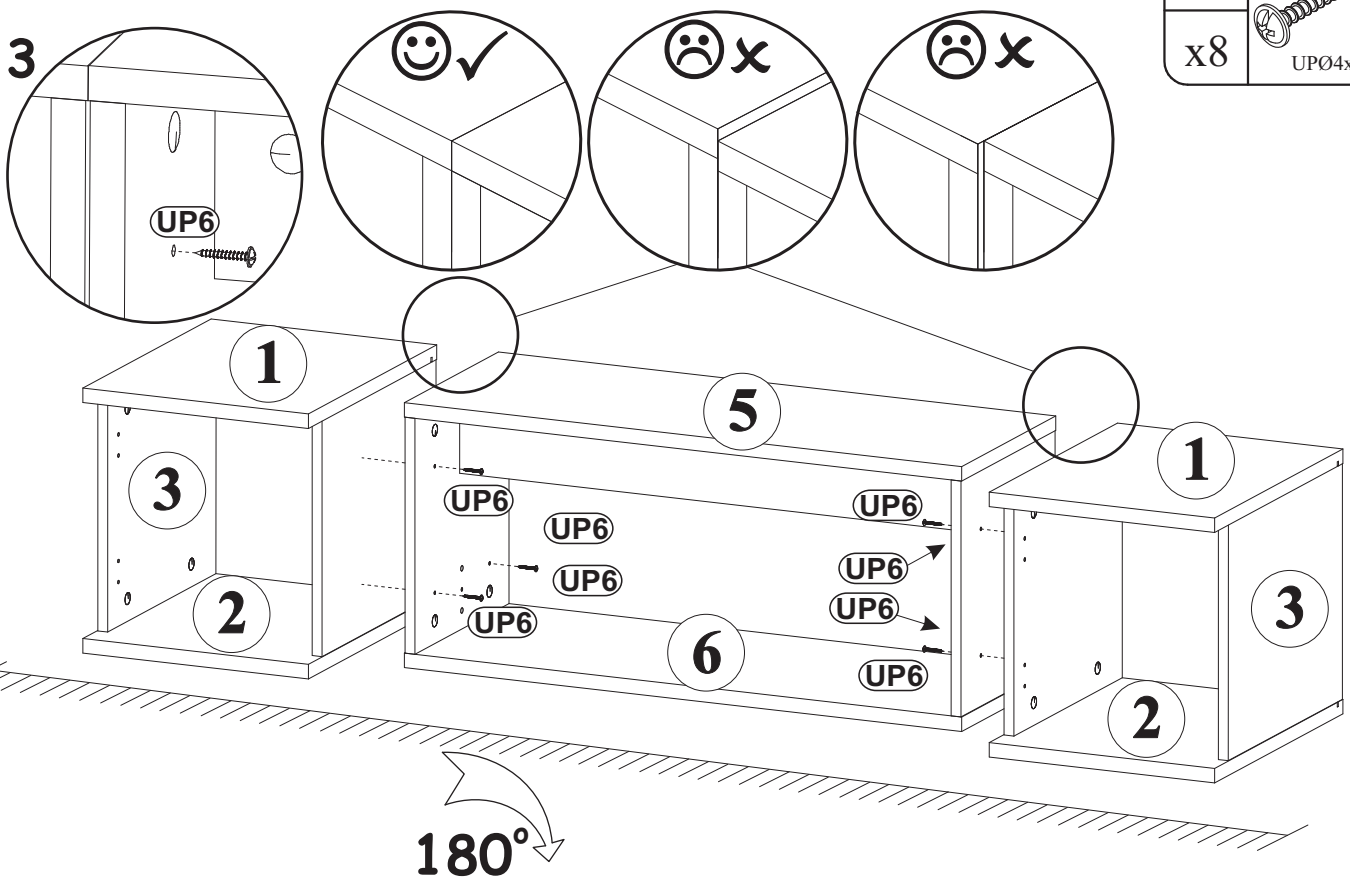


G5	
x4	

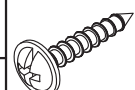
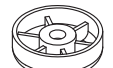


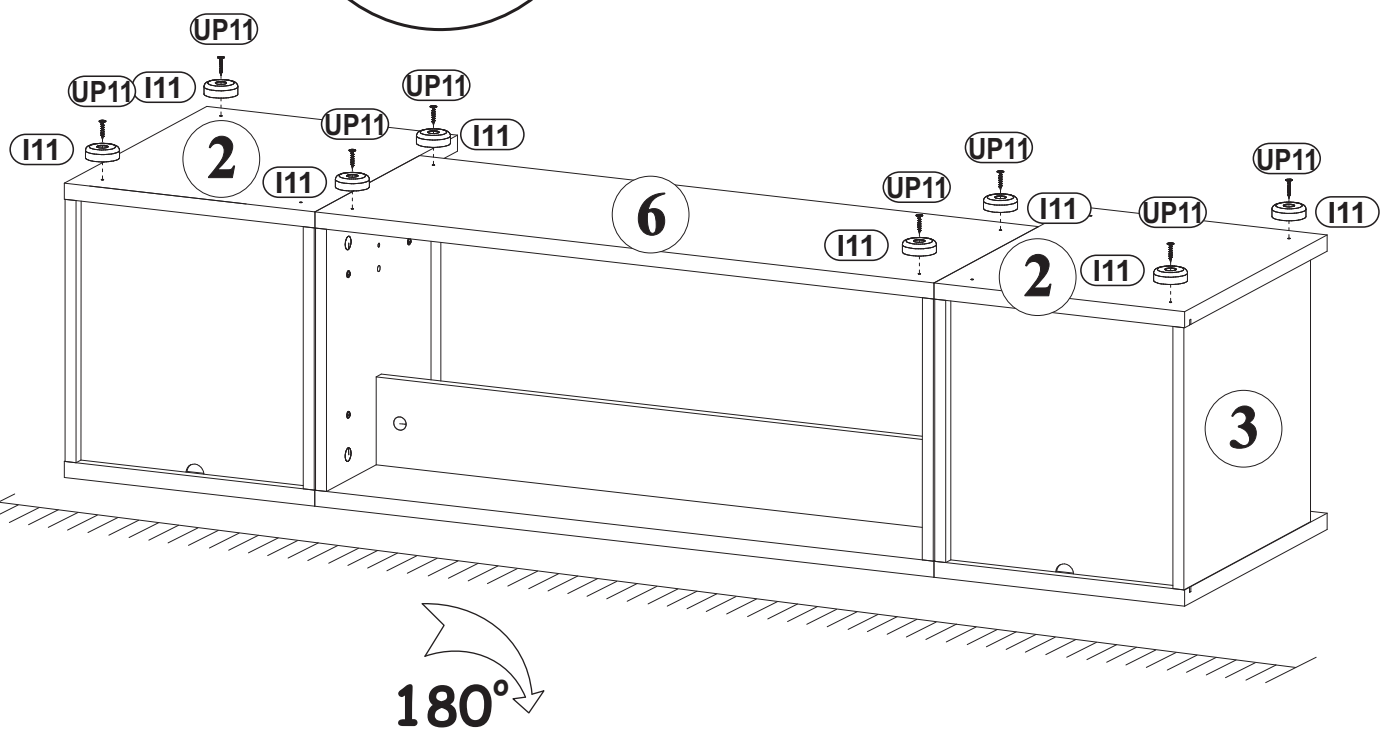
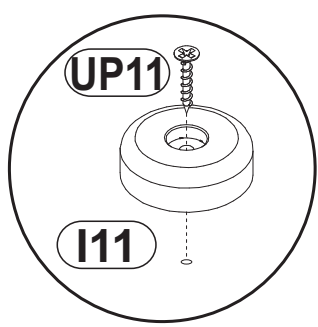
UP6	
X8	UPØ4x30

13


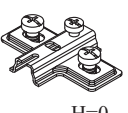


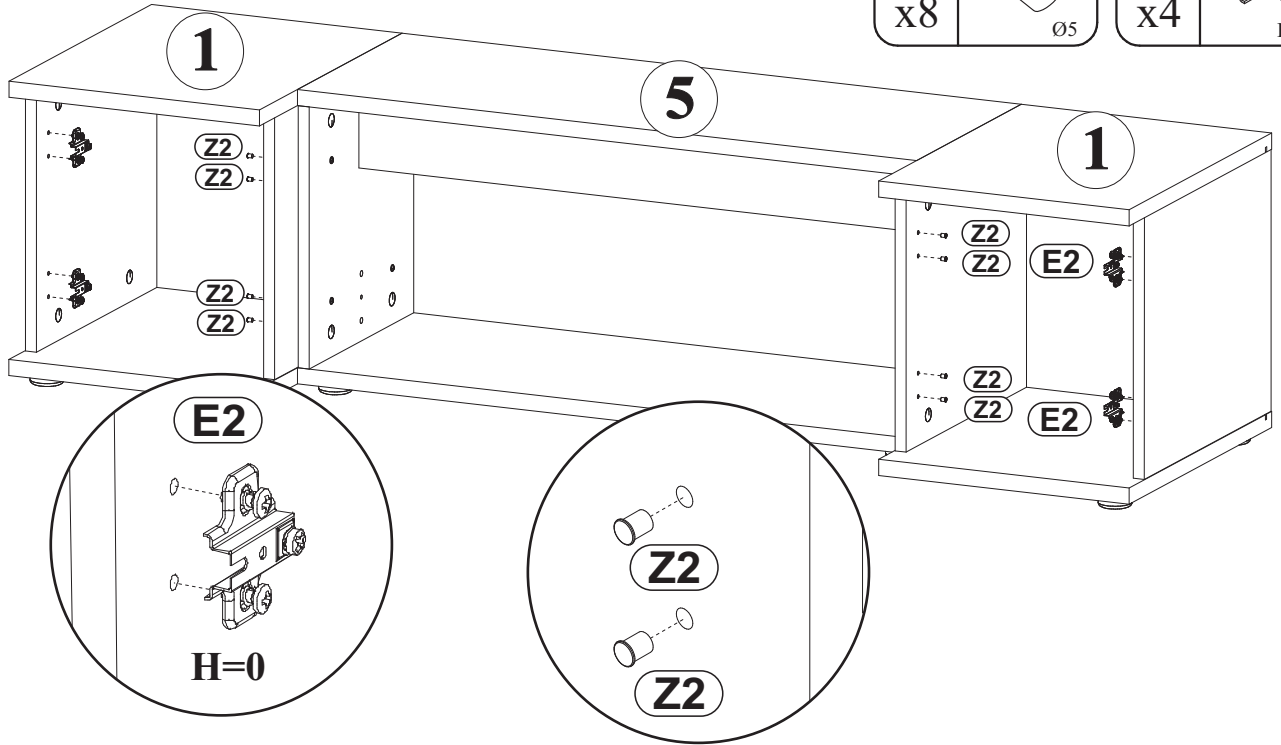
14

UP11		I11	
X8	UPØ4x20	X8	Ø45, h=15


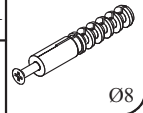
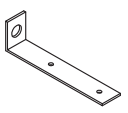


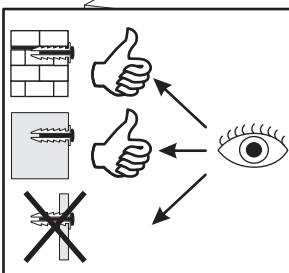
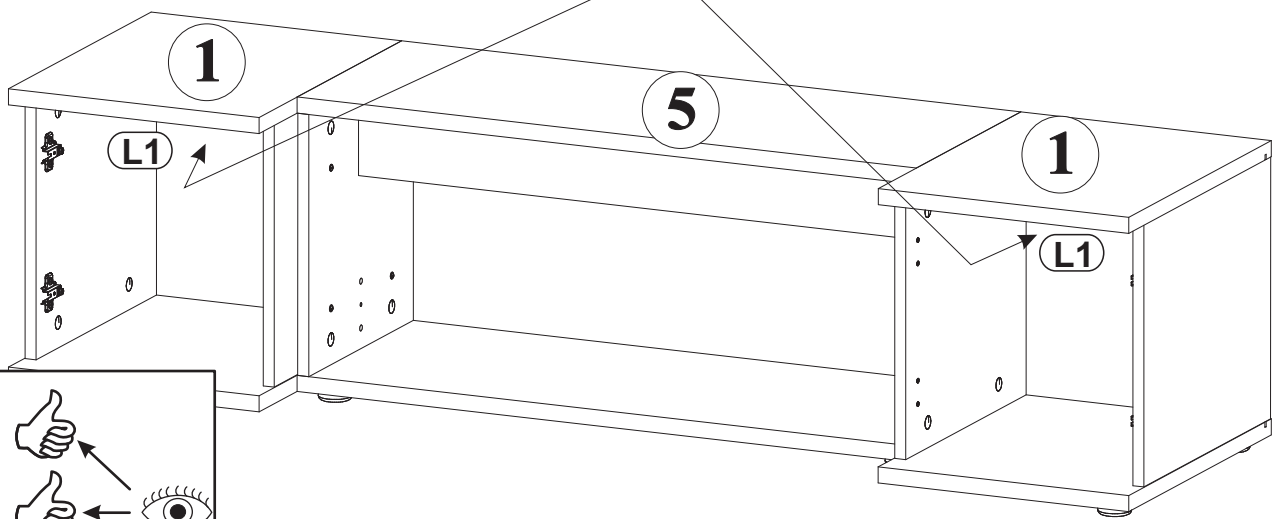
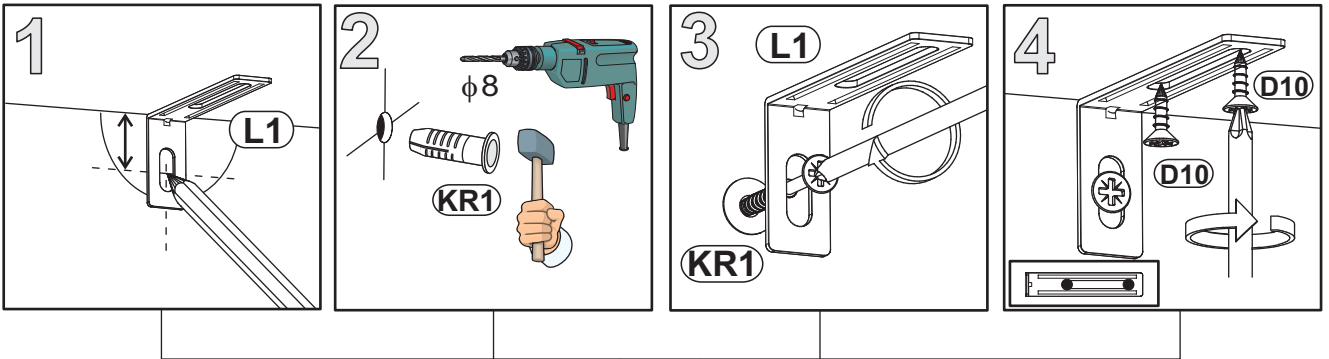
15

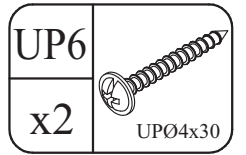
Z2		E2	
x8	Ø5	x4	H=0



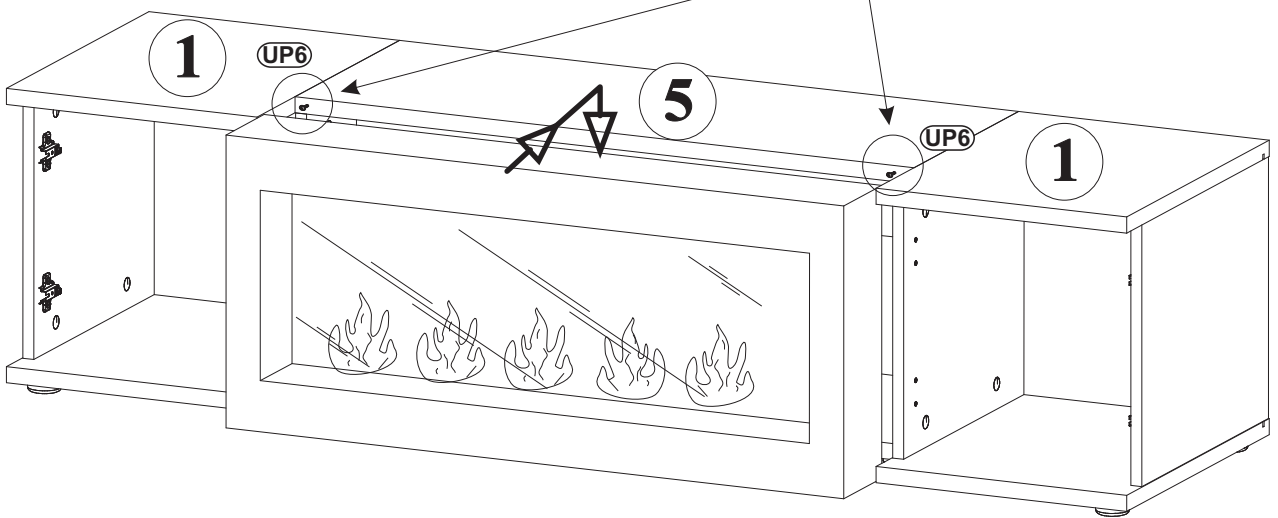
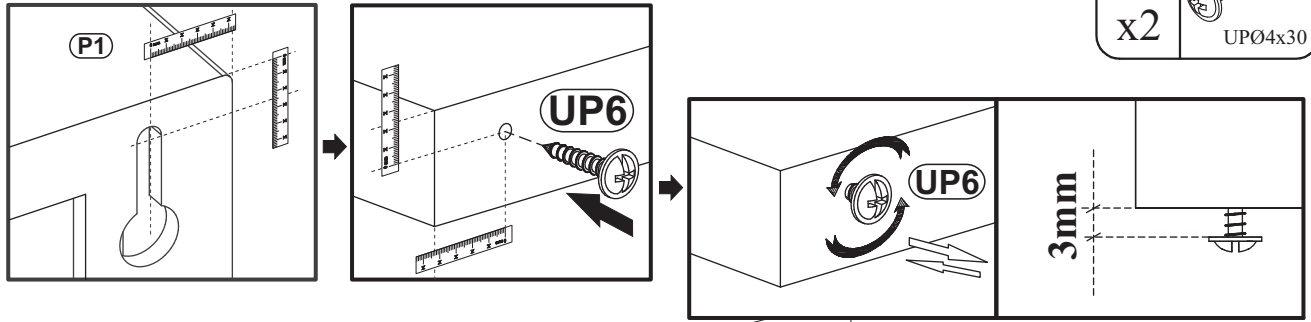
16

D10		KR1		L1	
x4	USØ3,5x13	x2	Ø8	x2	





17



18

