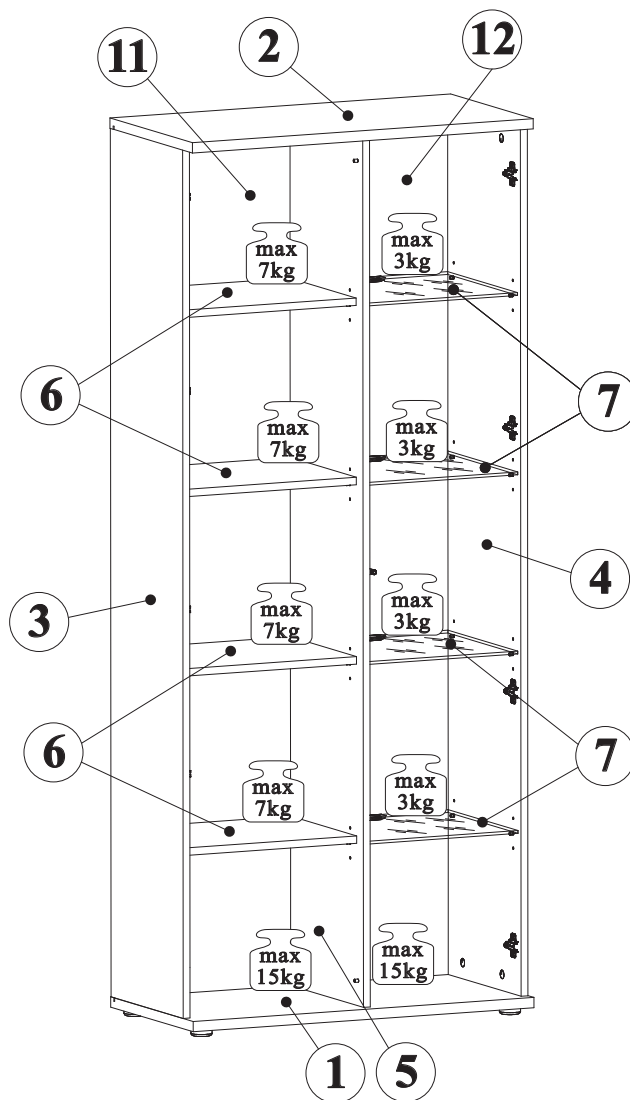
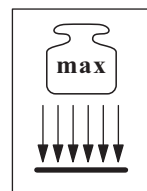
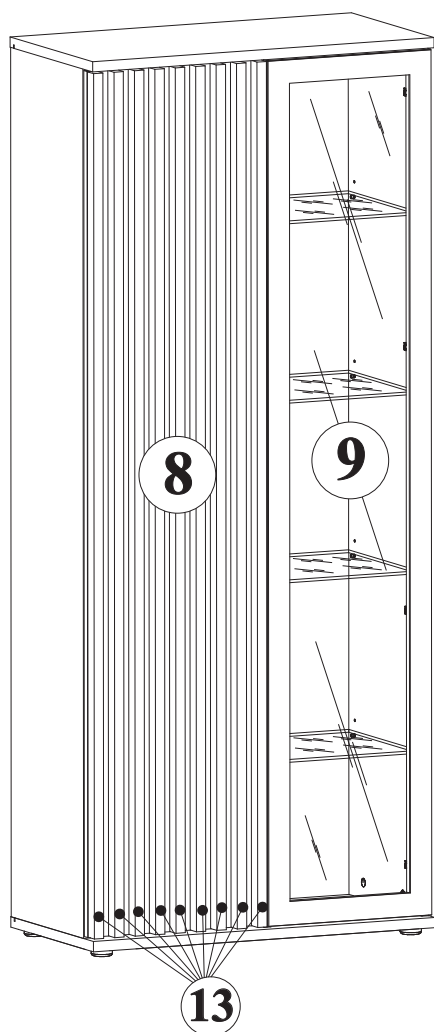
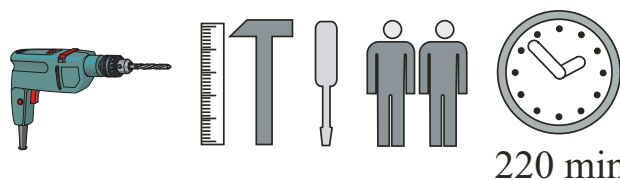


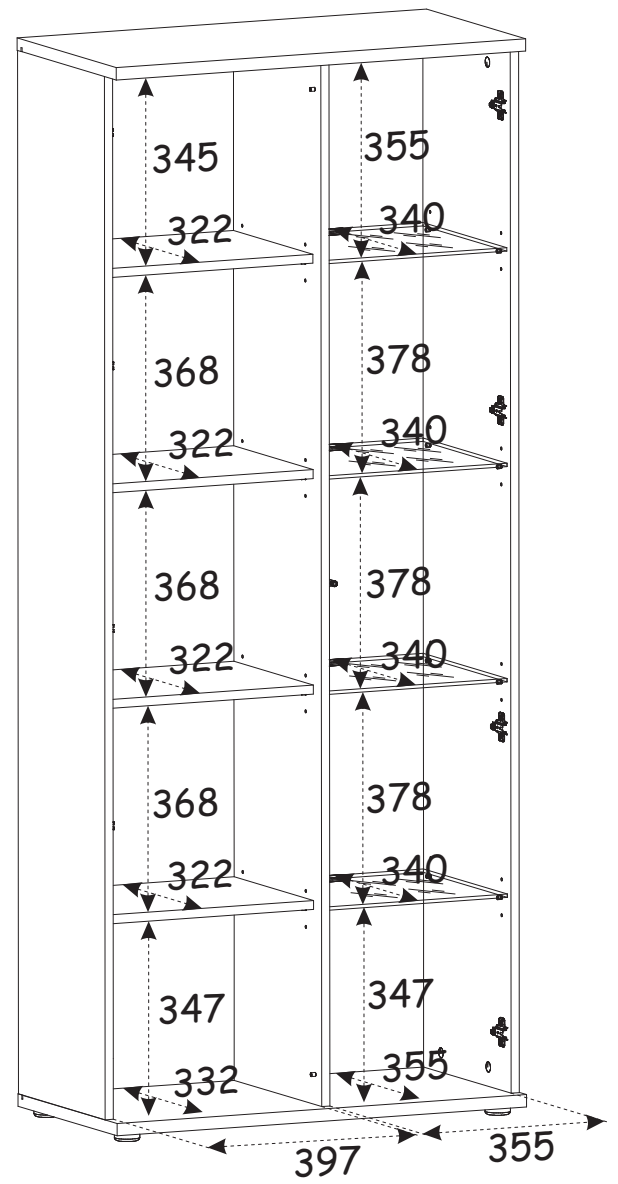
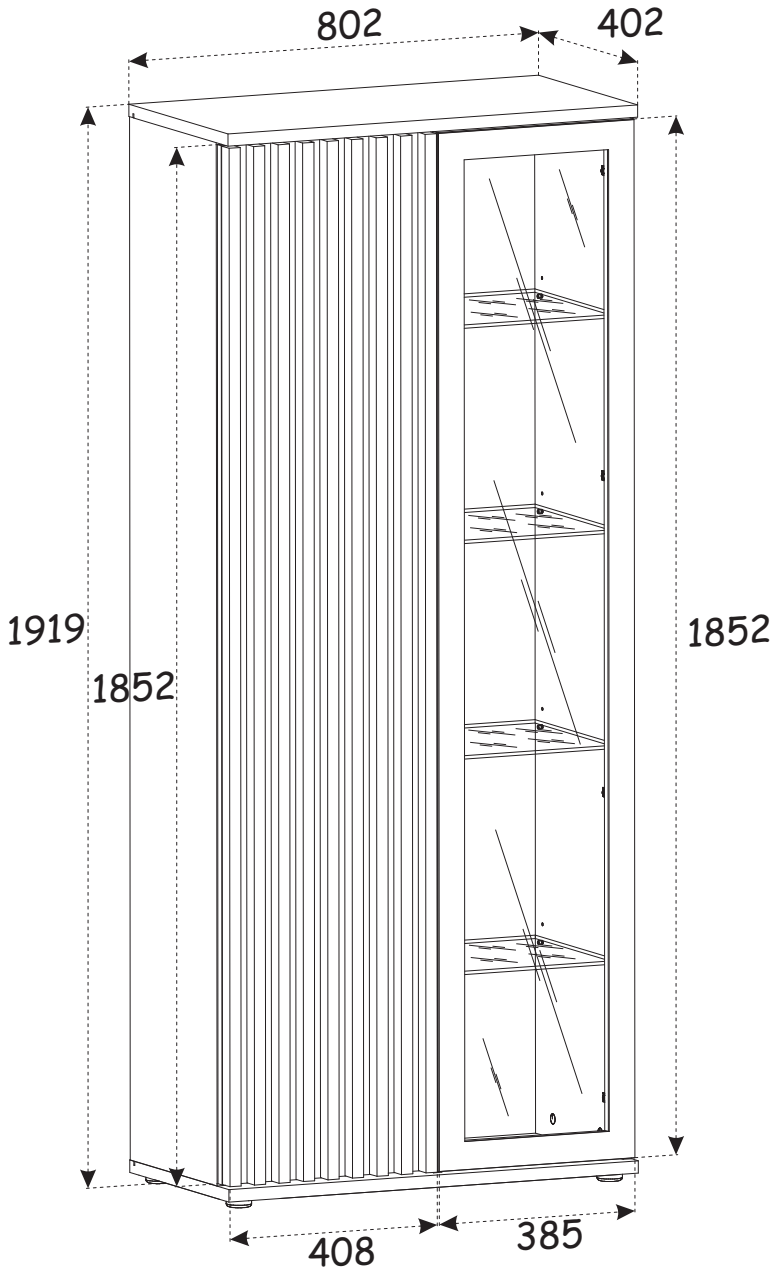
CAMERON ___ CM WSW

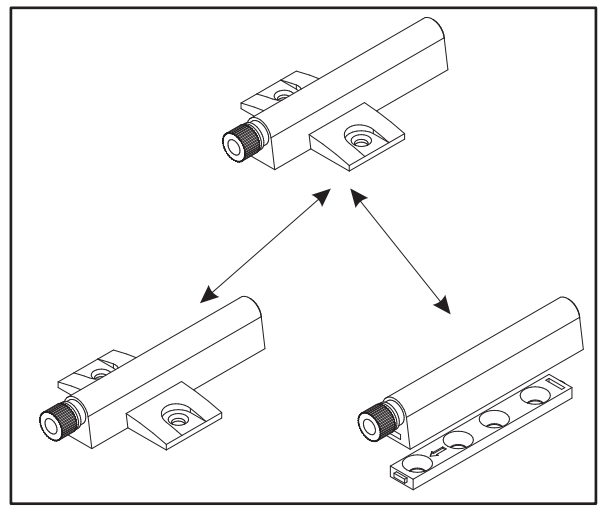
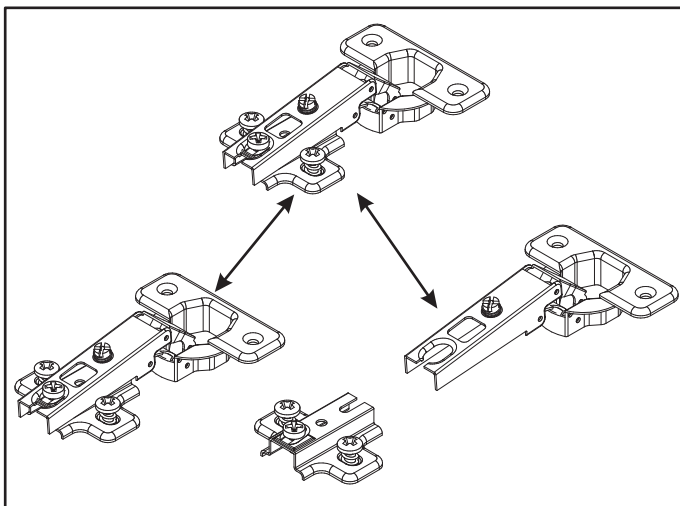
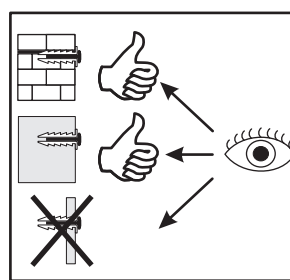
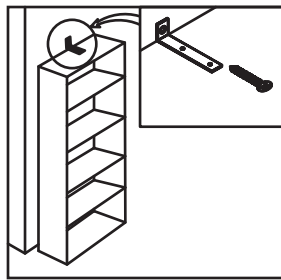
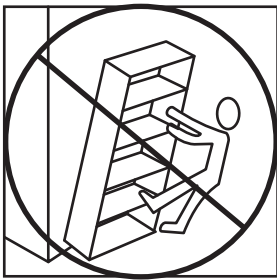
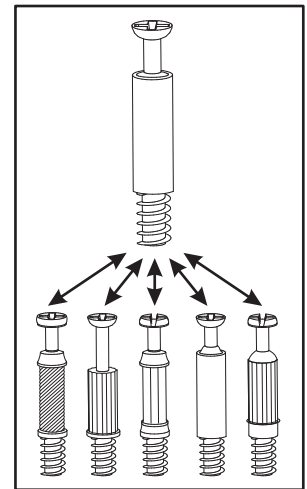
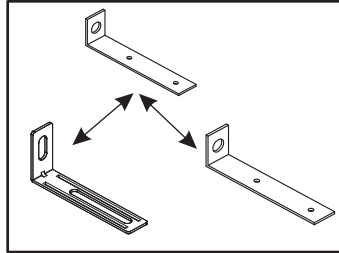
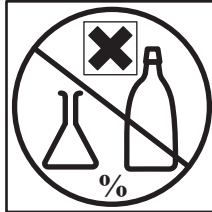
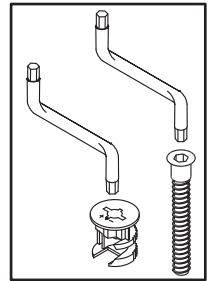
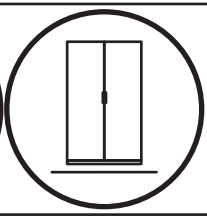
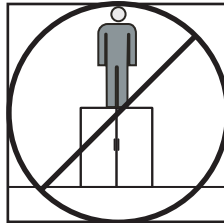
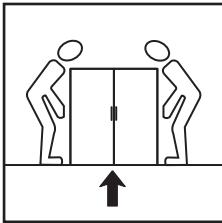
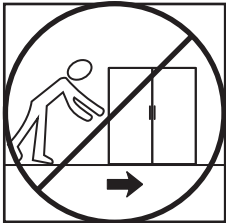
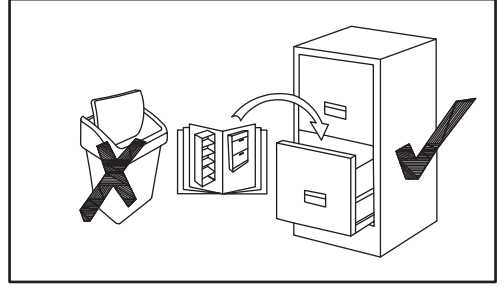
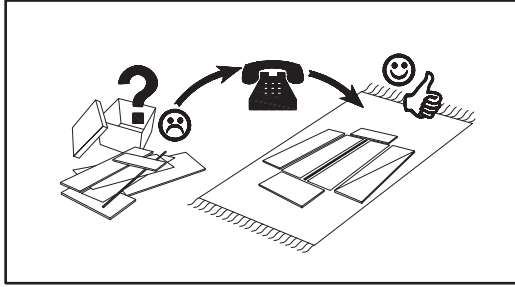
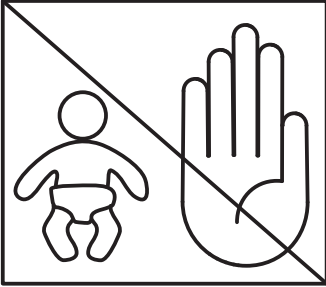
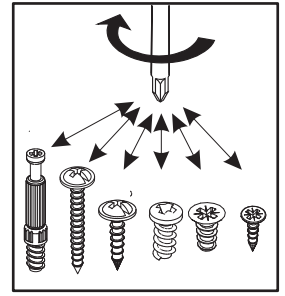
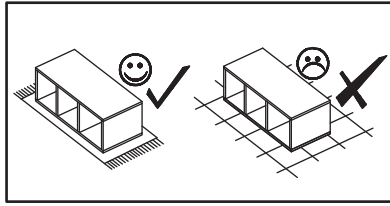
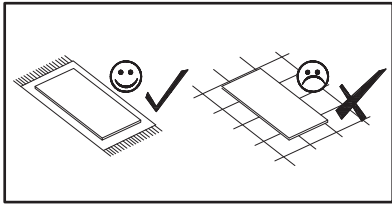


NO	Dim (mm)			Col.-No	Qty
1	802	402	22	1/3	1
2	802	402	22	1/3	1
3	1860	352	16	2/3	1
4	1860	375	16	2/3	1
5	1860	355	16	2/3	1
6	397	322	16	1/3	4
7	354	340	6	1/3	4
8	1852	408	16	3/3	1
9	1852	385	16	3/3	1
11	1872	411	3	3/3	1
12	1872	369	3	3/3	1
13	1851	30	22	3/3	9



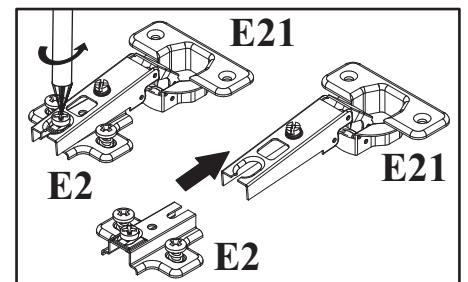
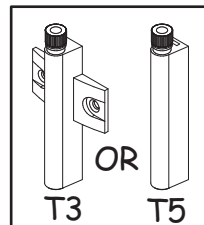
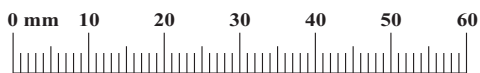
220 min



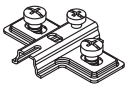
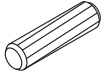
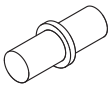
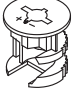


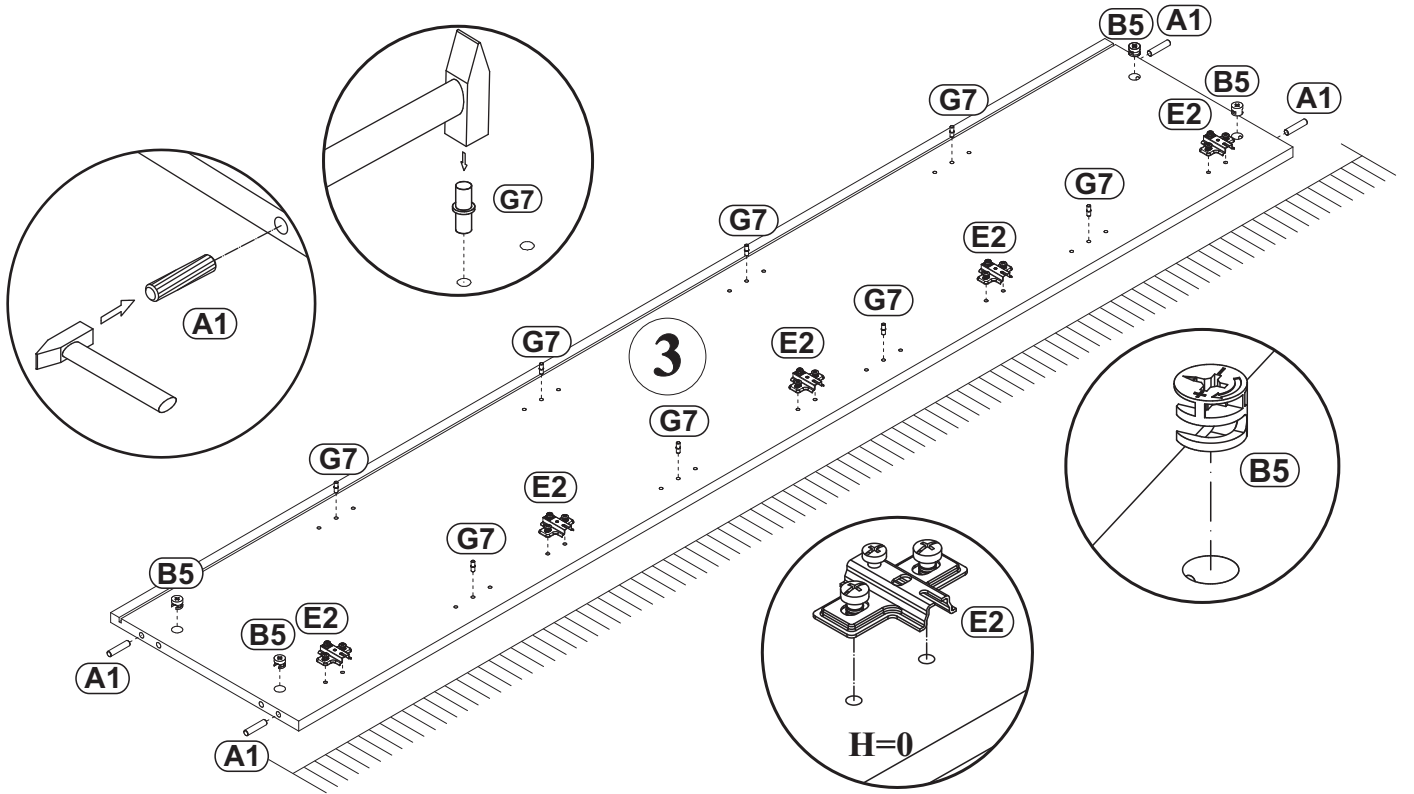
CAMERON ___ CM WSW

A1 x12 ø8x36	B22 x45 Ø7x40	G4 x40	B4 x12	B5 x12 Ø15x12	G5 x12
E21 x9 Ø35 H=0	E2 x9 H=0	T3/T5 x1	LED x1 1x4	S1 x22	G16 x10
G7 x16	G20 x18	I11 x5 Ø45, h=15	UP11 x5 UPØ4x20	D10 x22 USØ3,5x13	UP9 x10 UPØ3,5x16
KR1 x1 Ø8	L1 x1	G2 x1	G12 x5 Ø14		

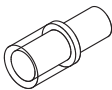
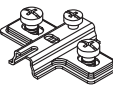
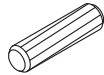
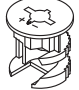


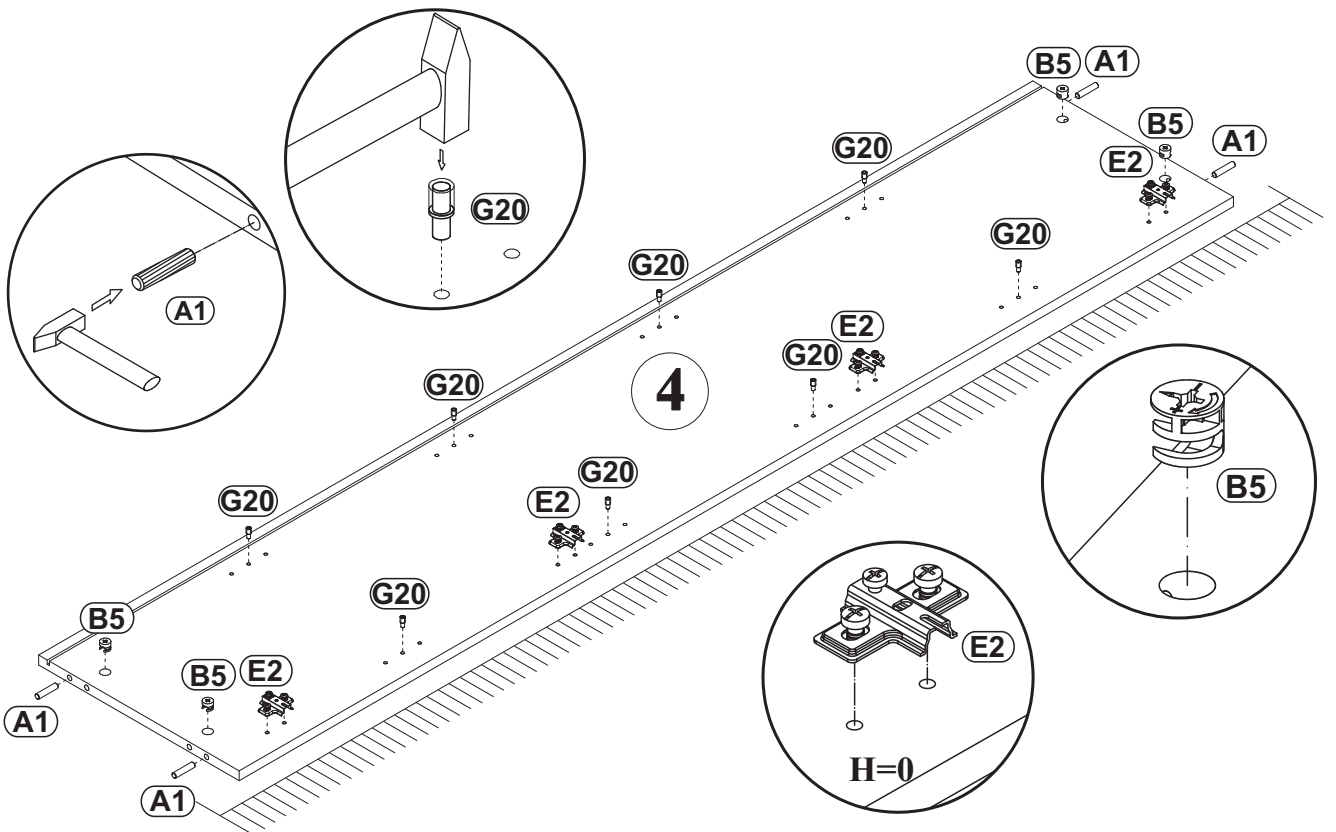
1

E2 x5	 H=0	A1 x4	 ø8x36	G7 x8		B5 x4	 Ø15x12
----------	--	----------	---	----------	---	----------	---

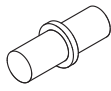


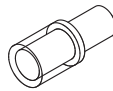
2

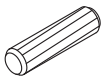
G20 x8		E2 x4	 H=0	A1 x4	 ø8x36	B5 x4	 Ø15x12
-----------	---	----------	---	----------	--	----------	---

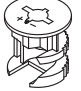


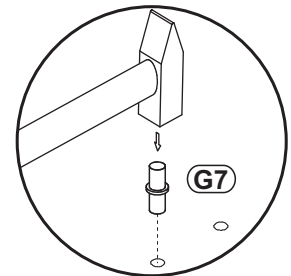
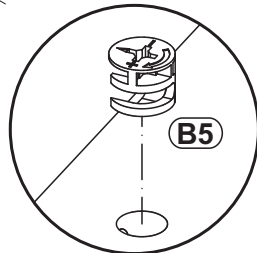
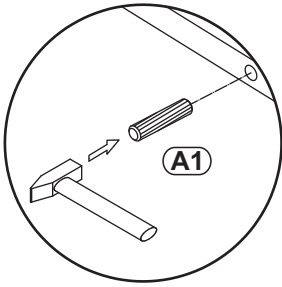
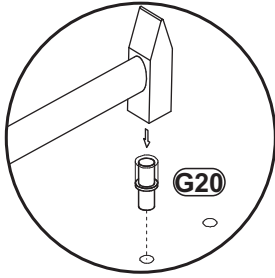
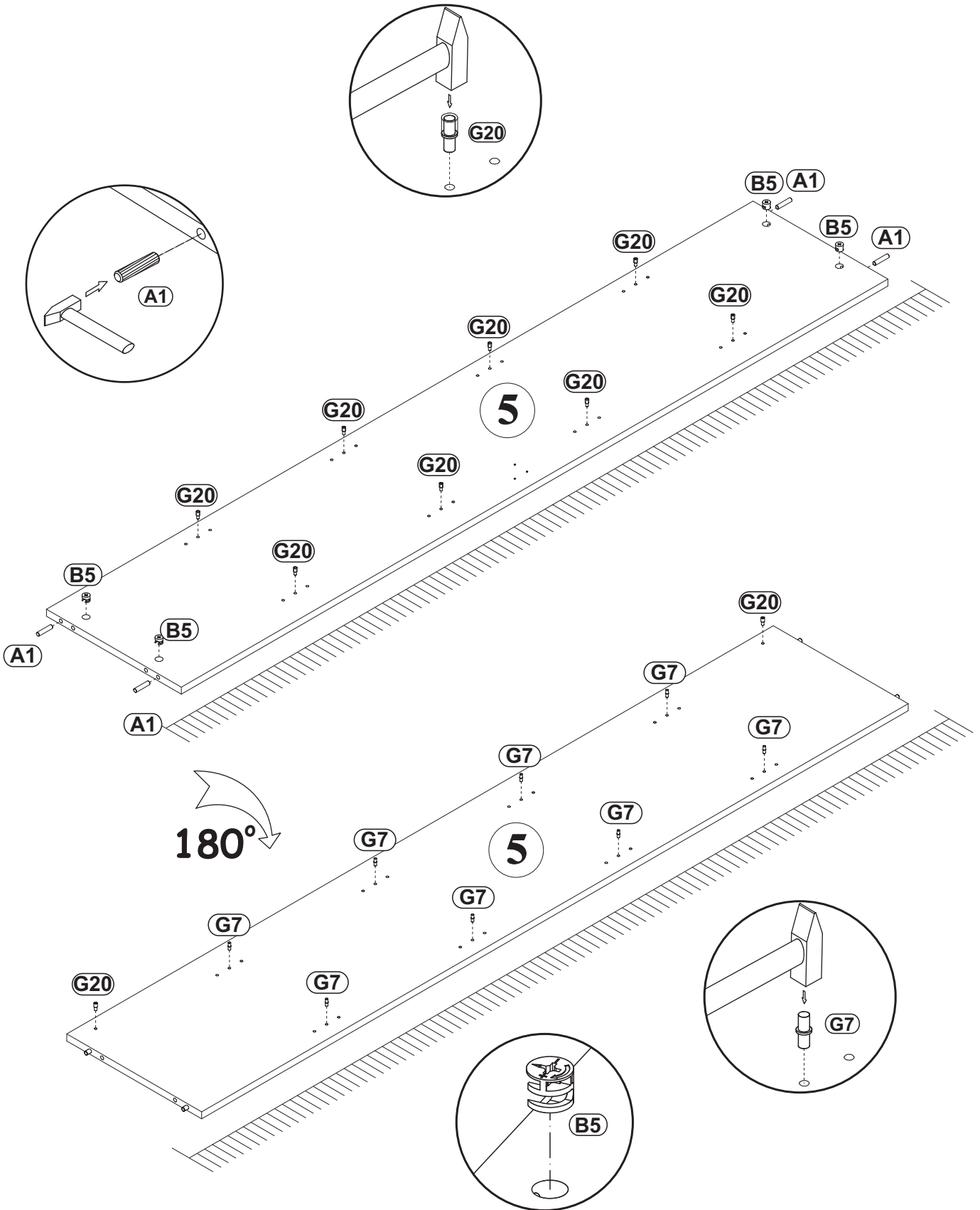
3

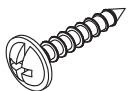
G7	
x8	

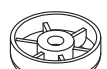
G20	
x10	

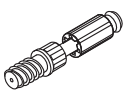
A1	
x4	ø8x36

B5	
x4	Ø15x12

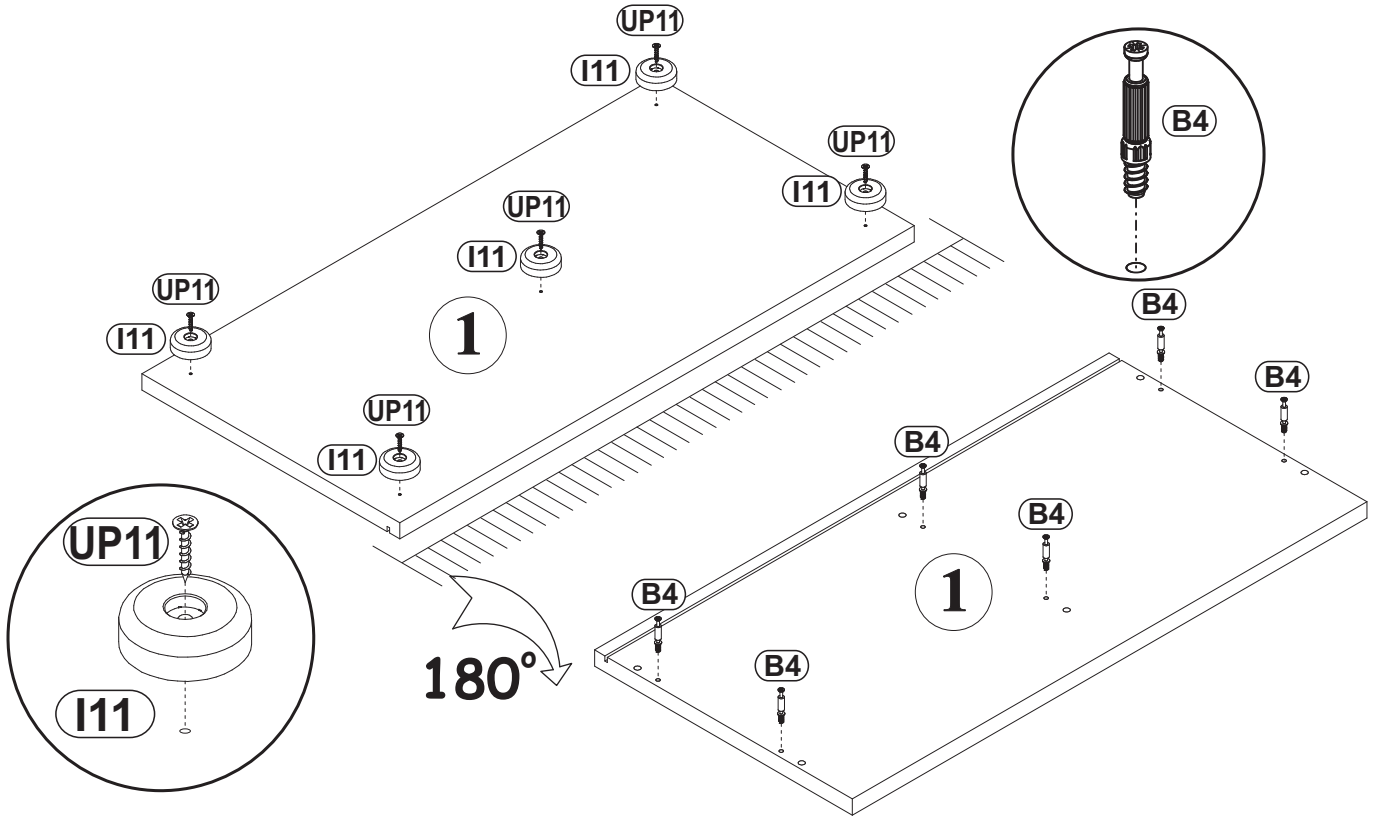


UP11	
x5	UPØ4x20

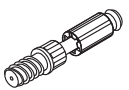
I11	
x5	Ø45, h=15

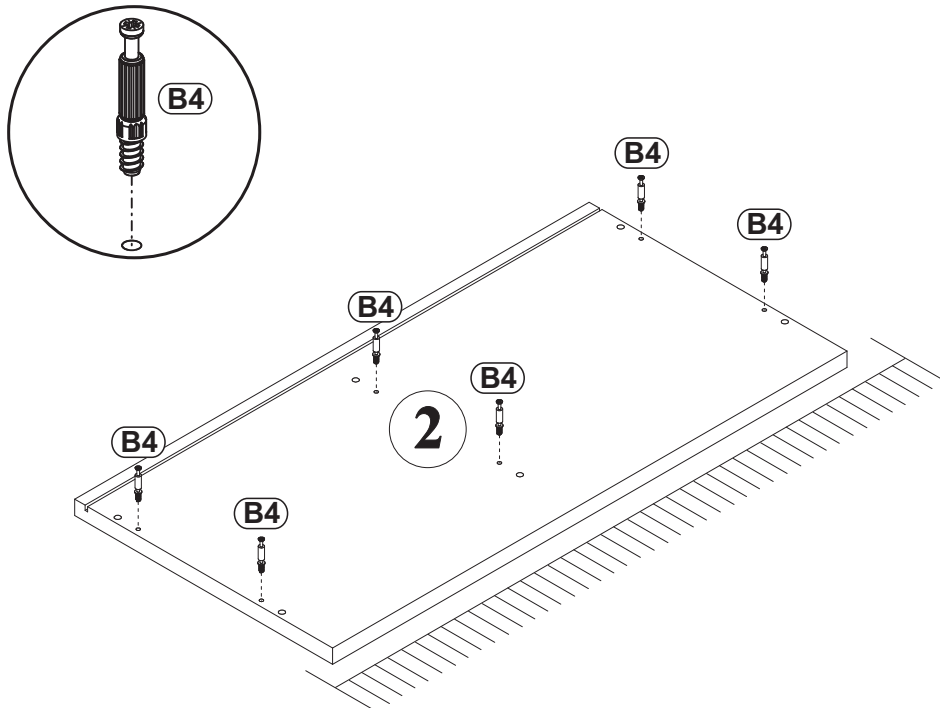
B4	
x6	

4

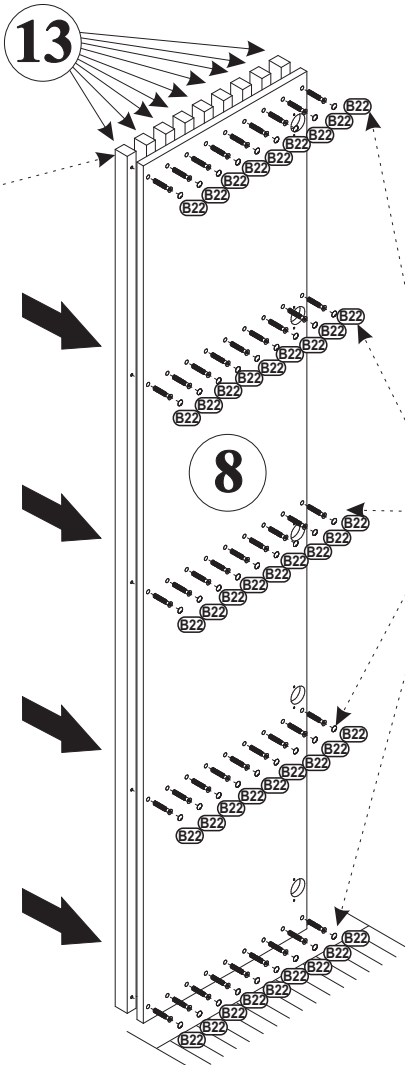
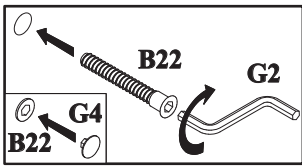
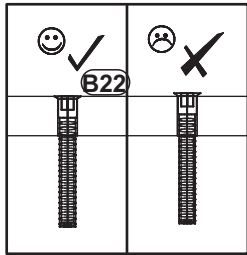
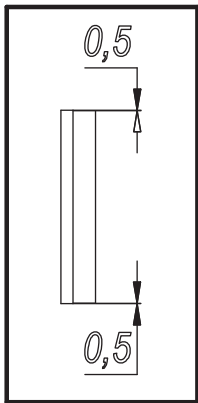
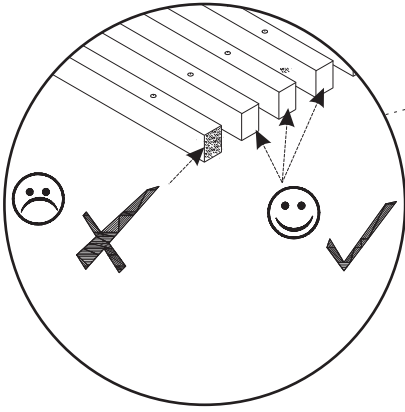


5

B4	
x6	

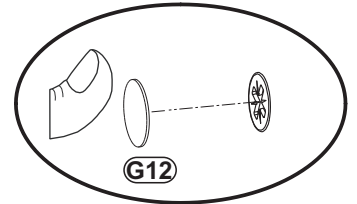
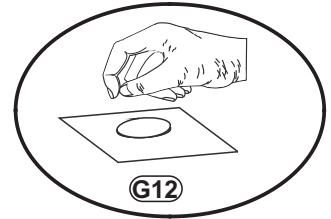
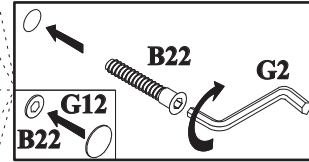


6

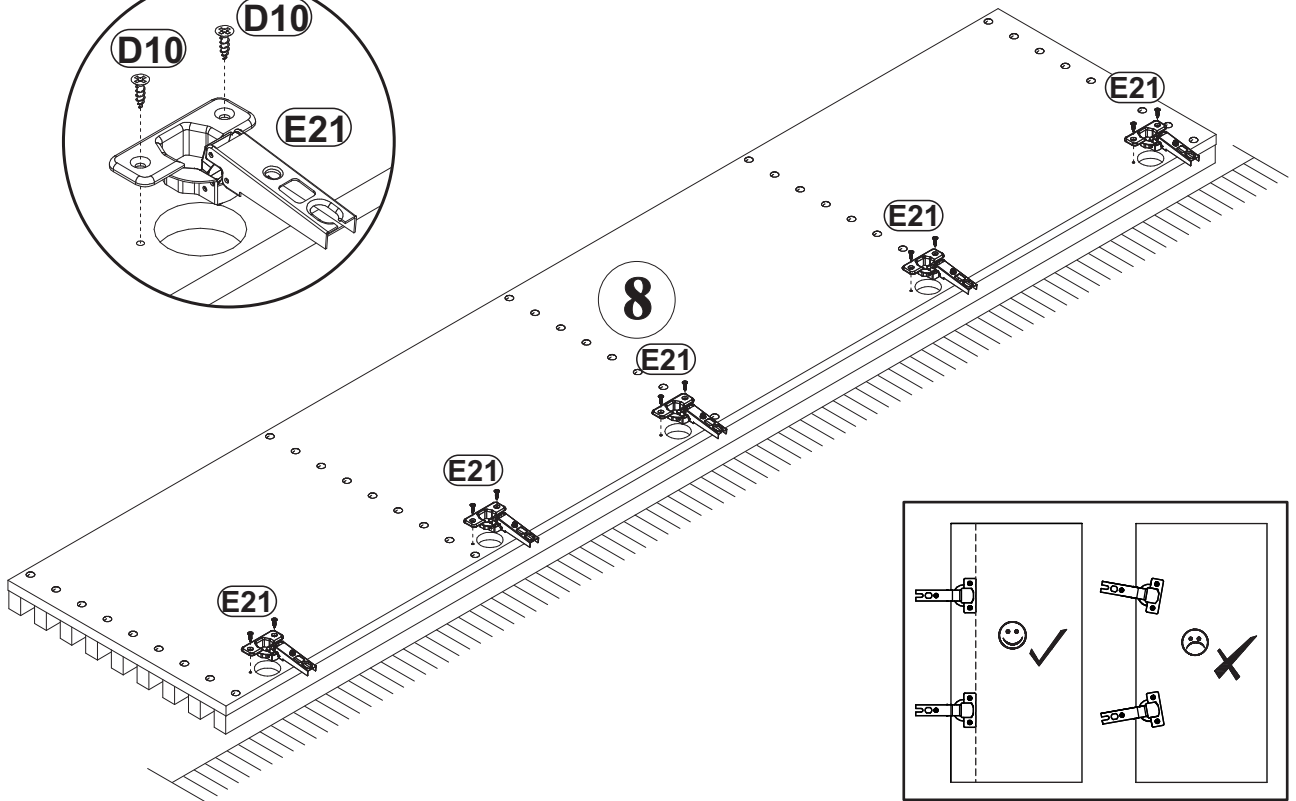
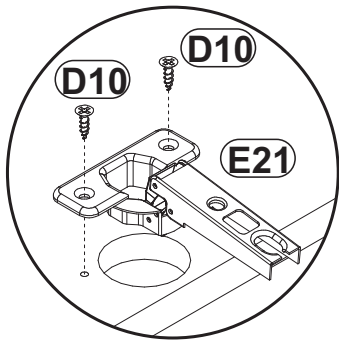


G4		B22	
x40		x45	Ø7x40

G12		G2	
x5	Ø14	x1	

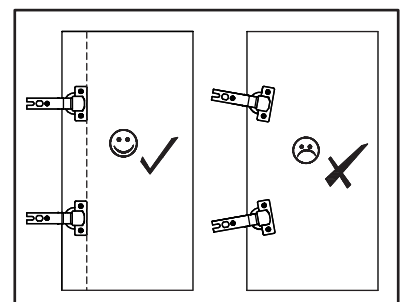


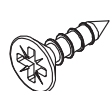
7

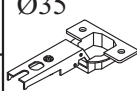


D10		E21	Ø35
x10	USØ3,5x13	x5	H=0

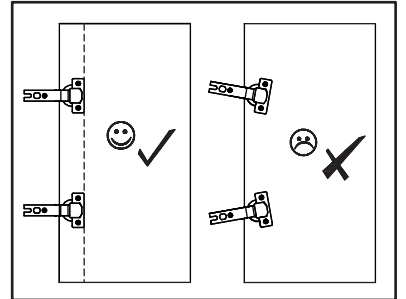
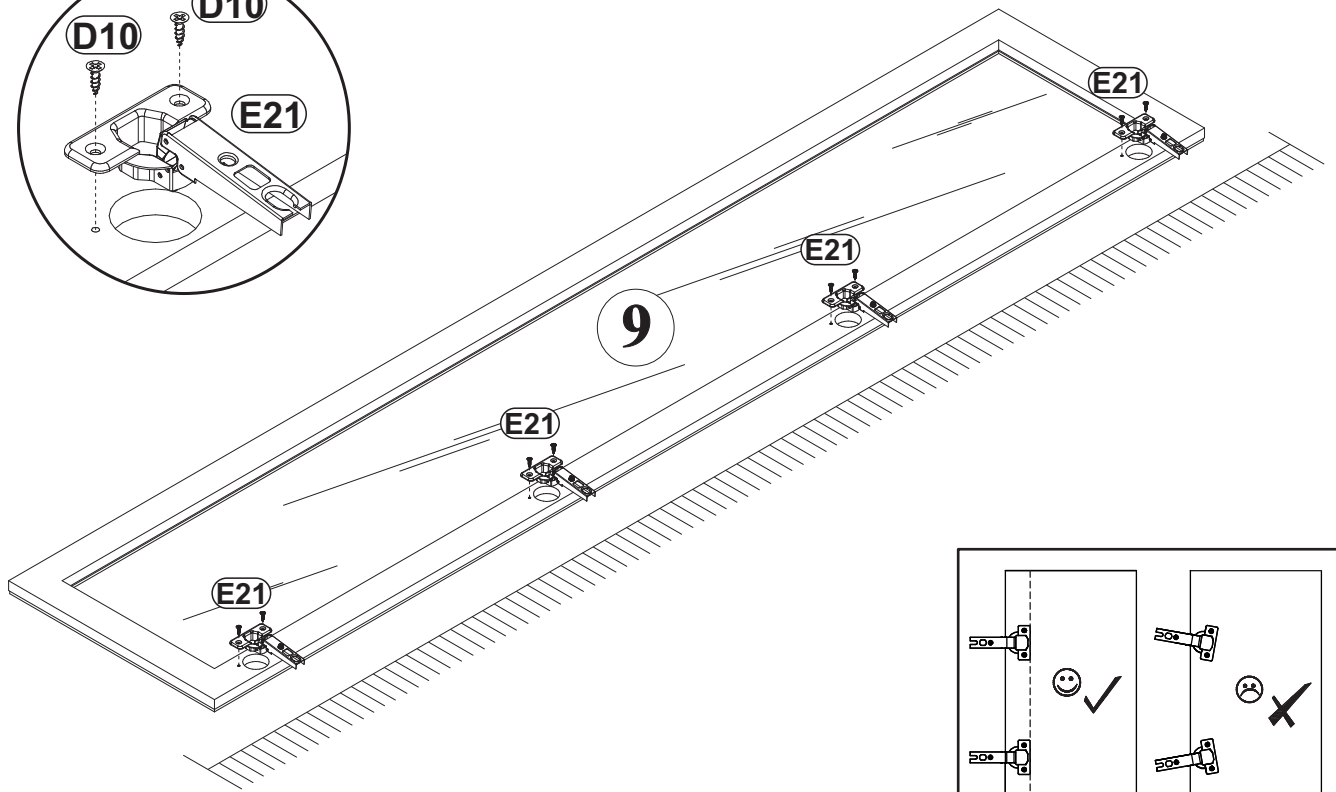
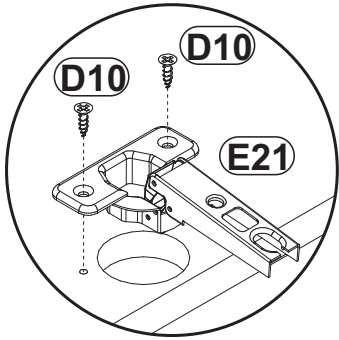
E21			
x5			




D10	
x8	USØ3,5x13

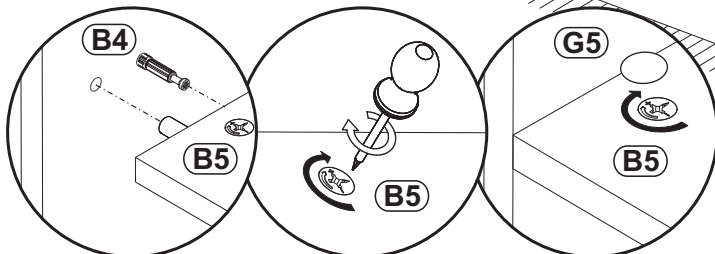
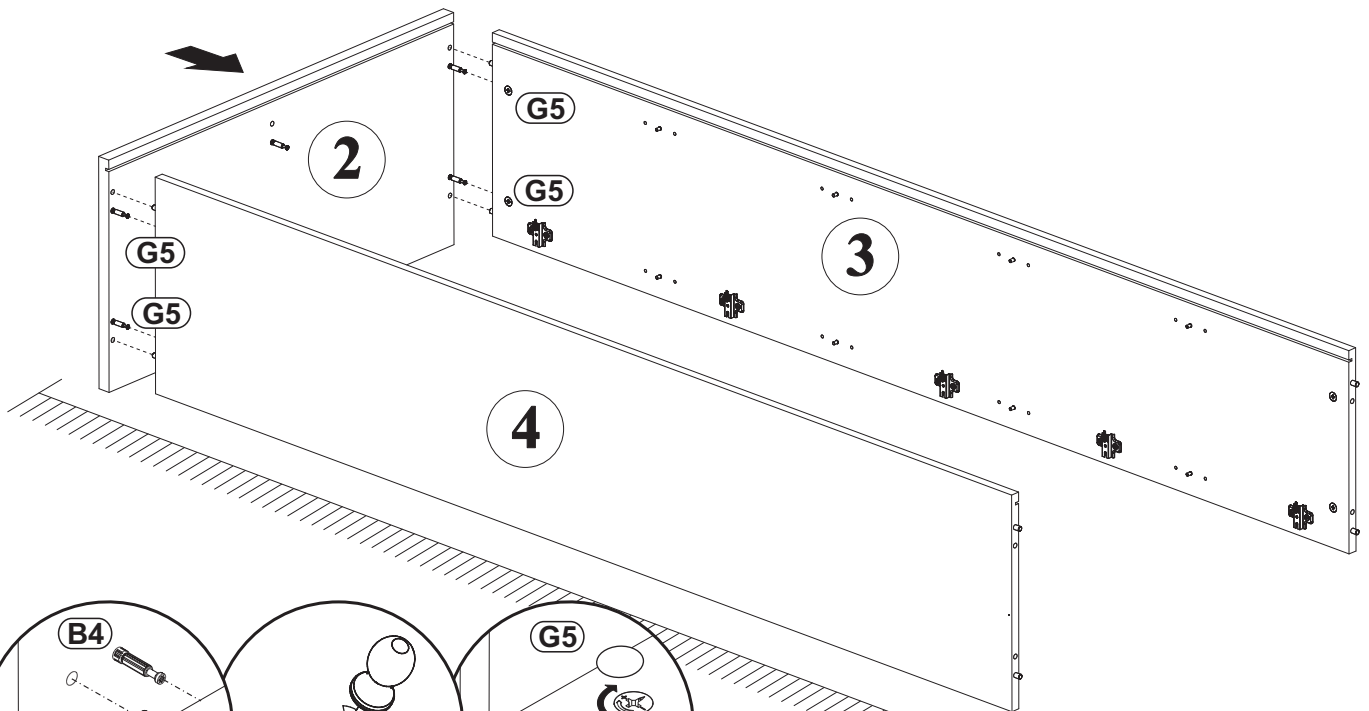
E21	
x4	Ø35 H=0


8



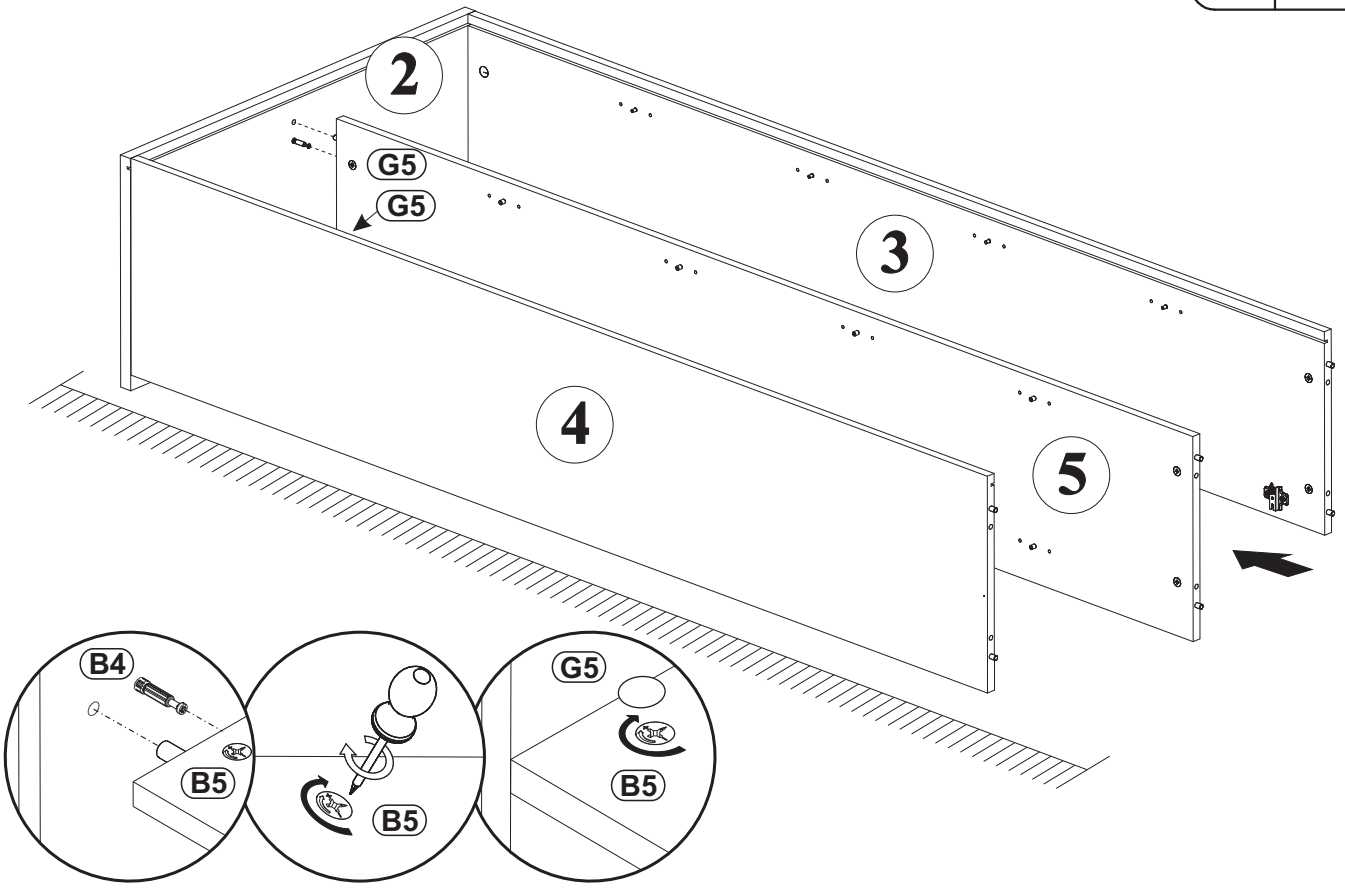
9

G5	
x4	

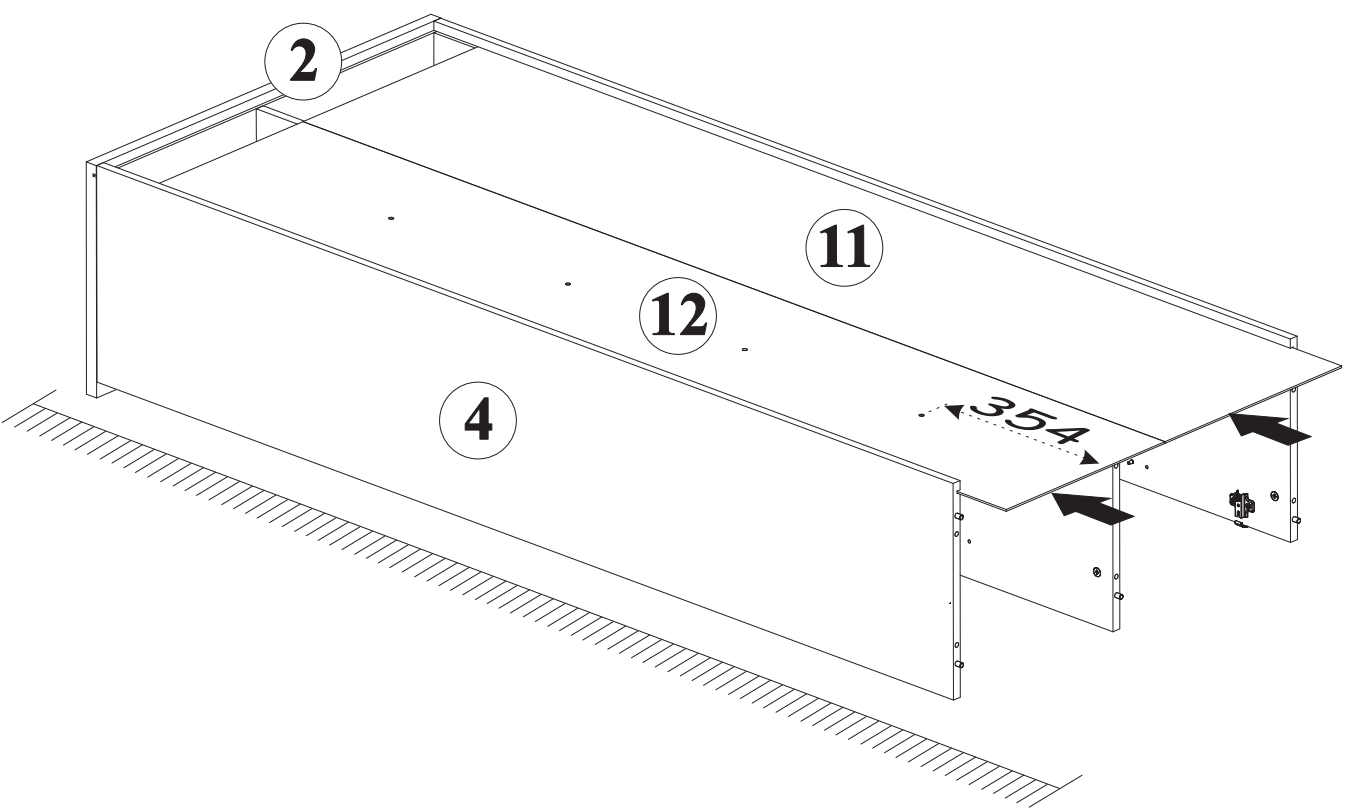


G5	
x2	

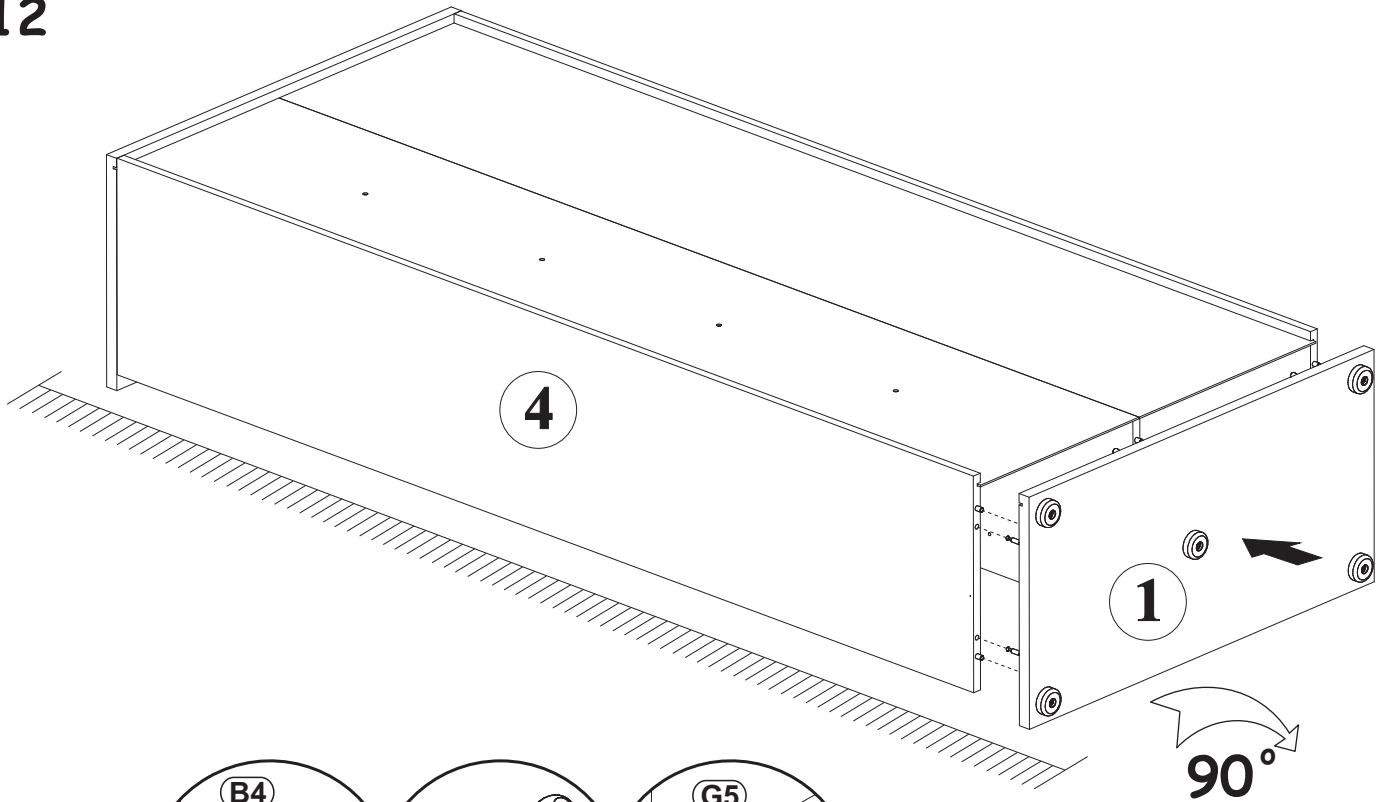
10



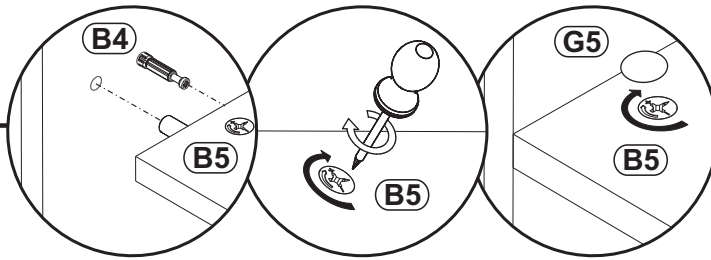
11




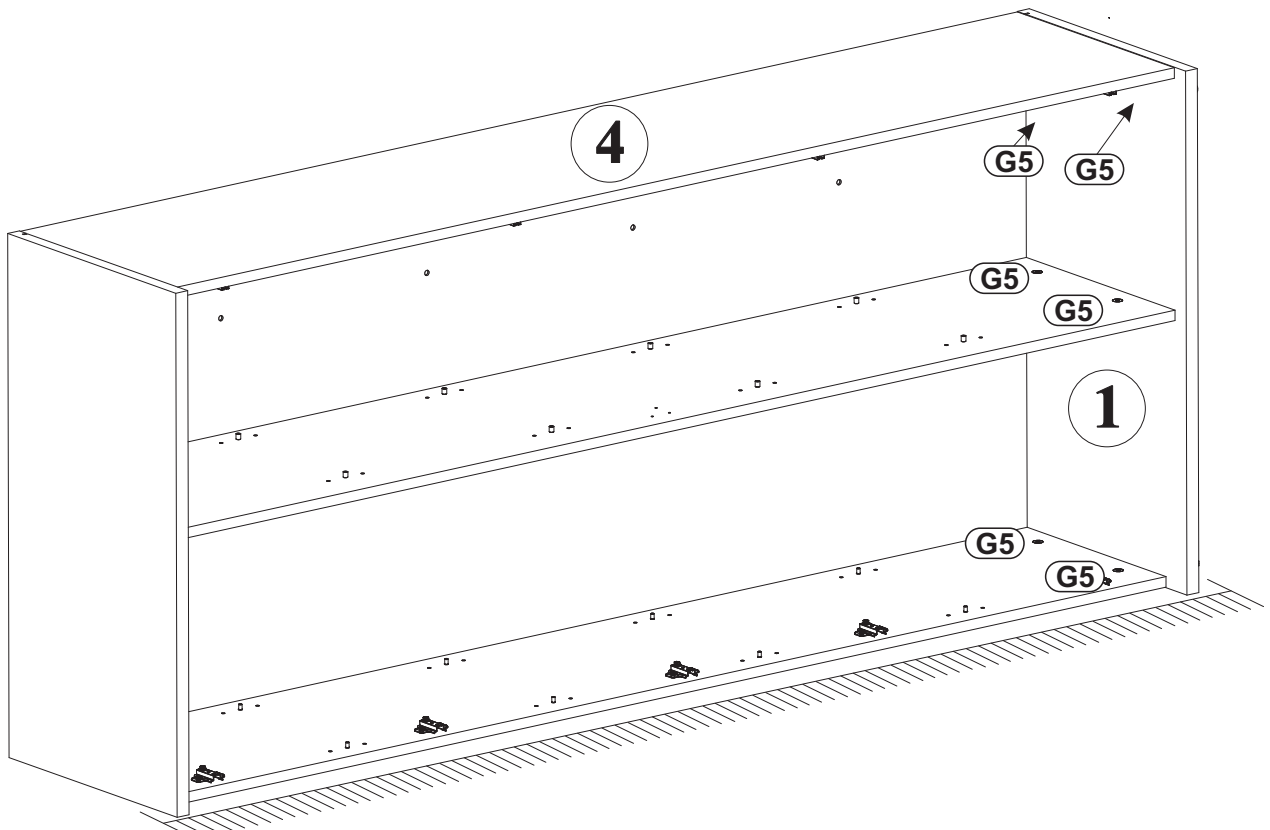
12

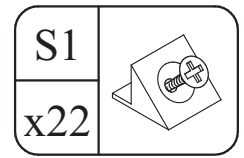
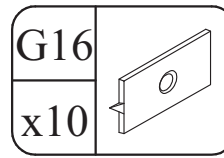
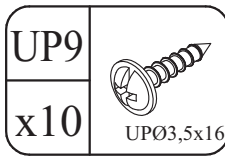


13

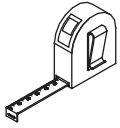


G5	
x6	

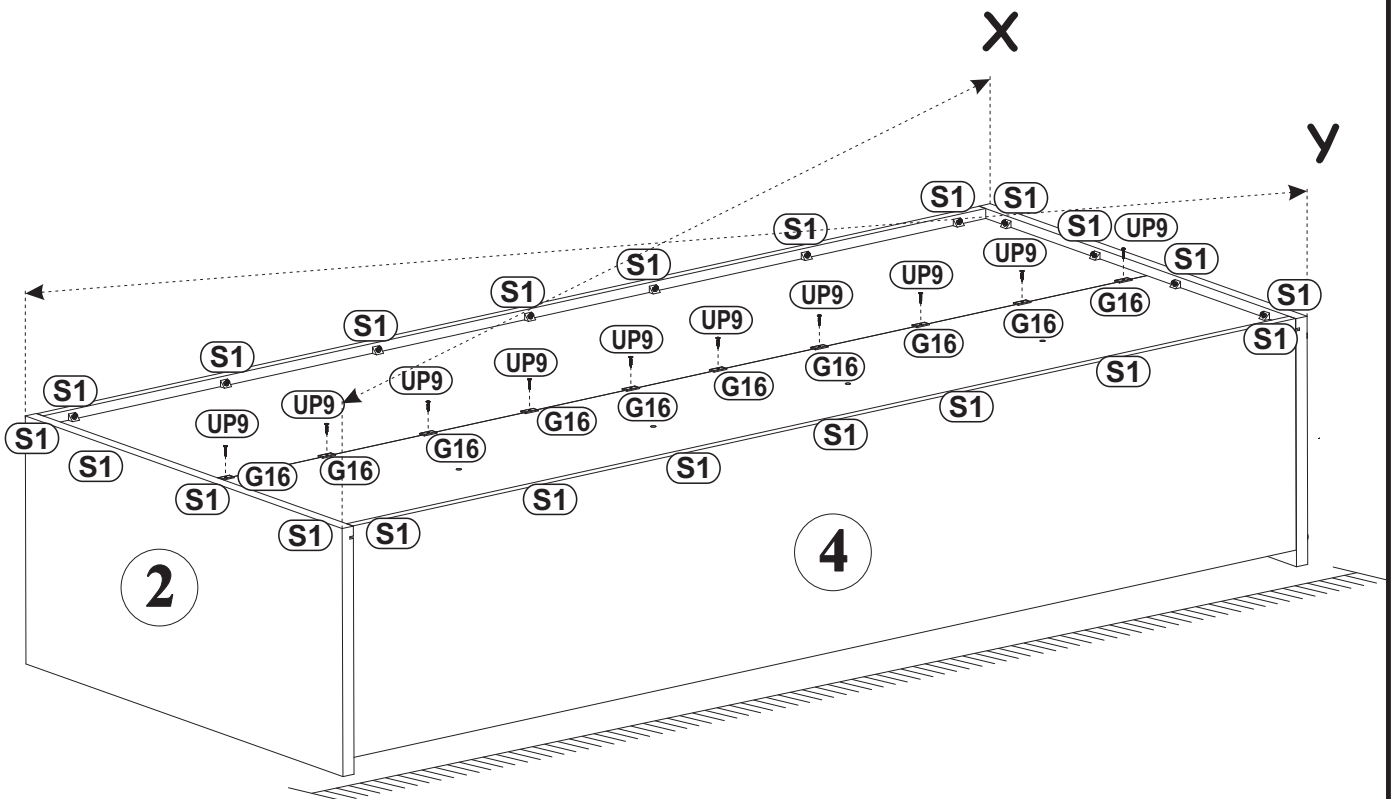
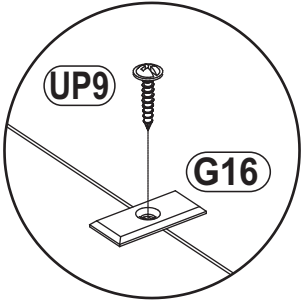




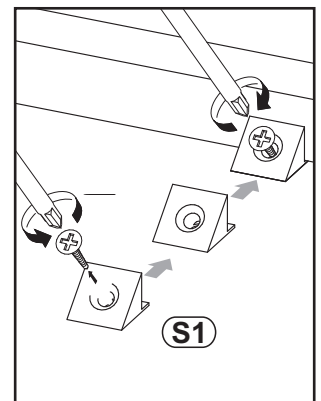
14



$X=Y$ 90°



90°



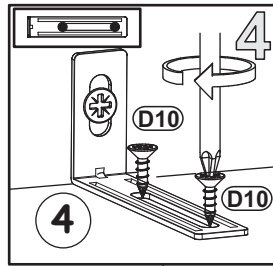
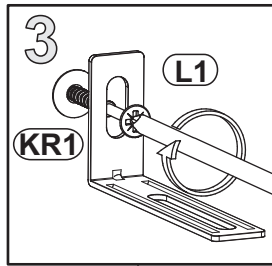
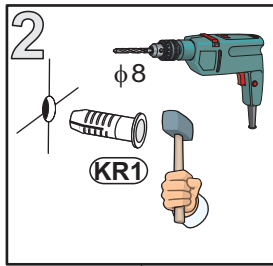
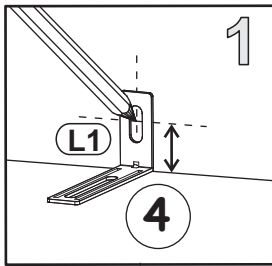
15

LED	
x1	1x4

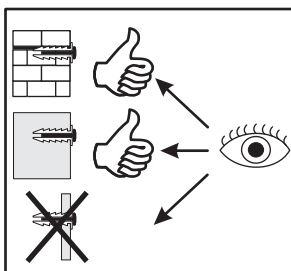
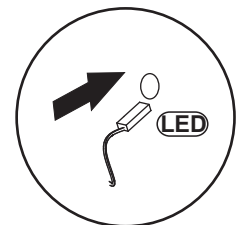
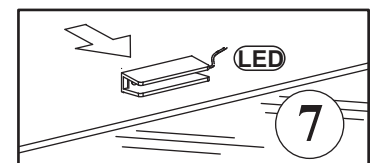
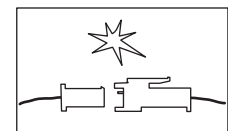
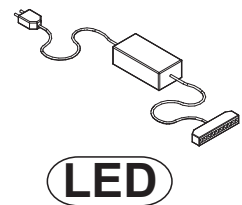
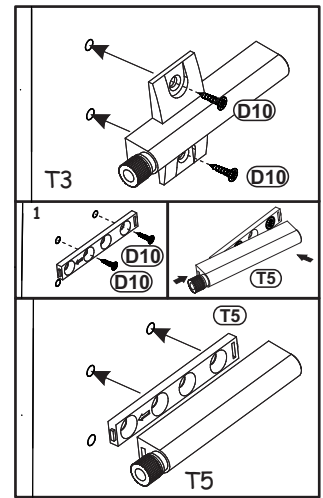
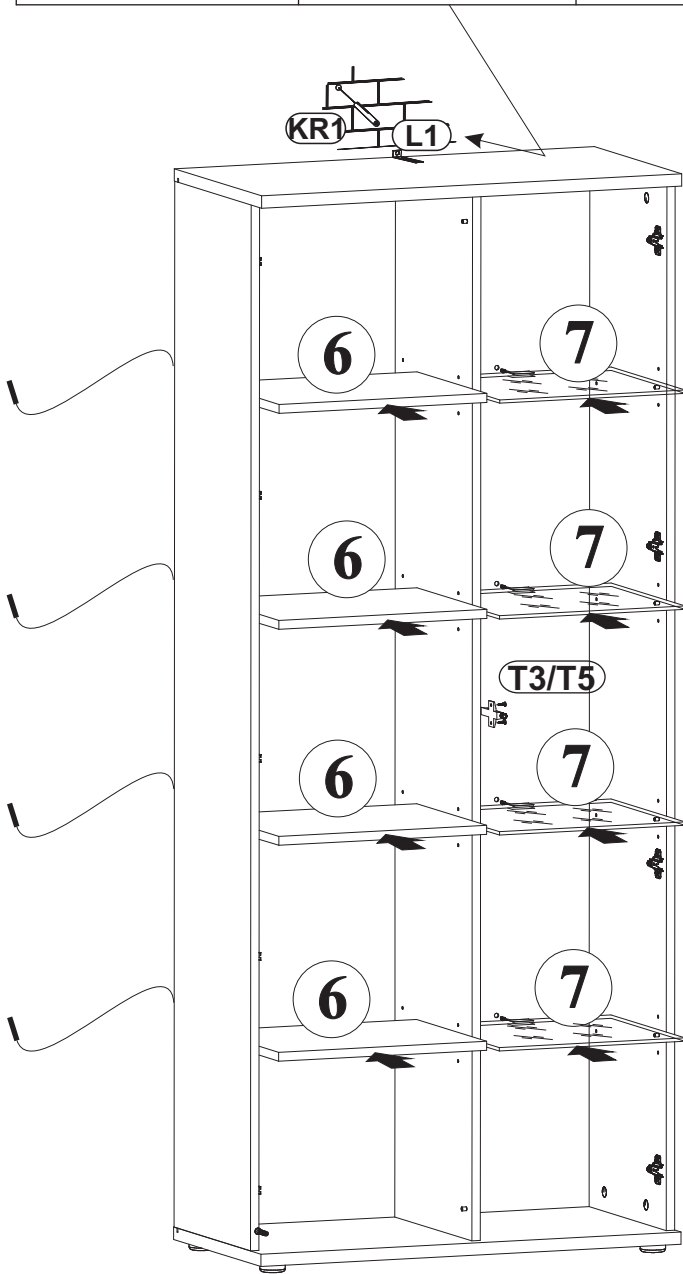
D10	
x4	USØ3,5x13

KR1	
x1	Ø8

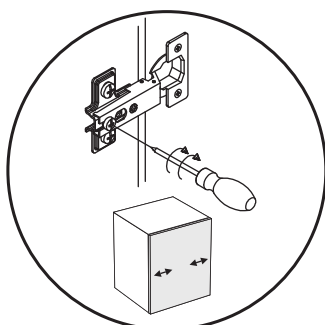
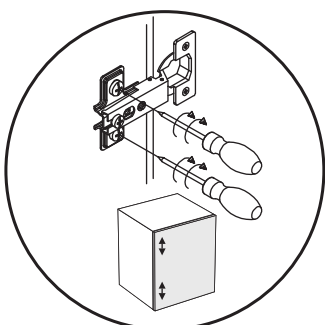
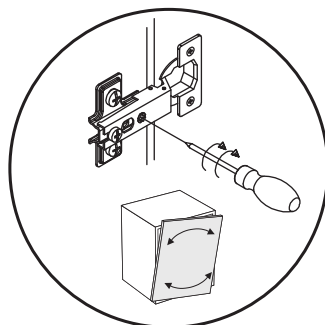
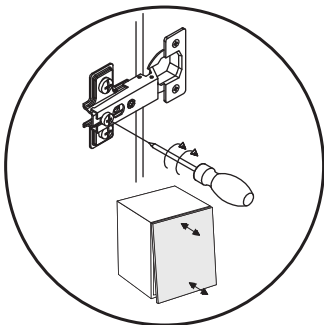
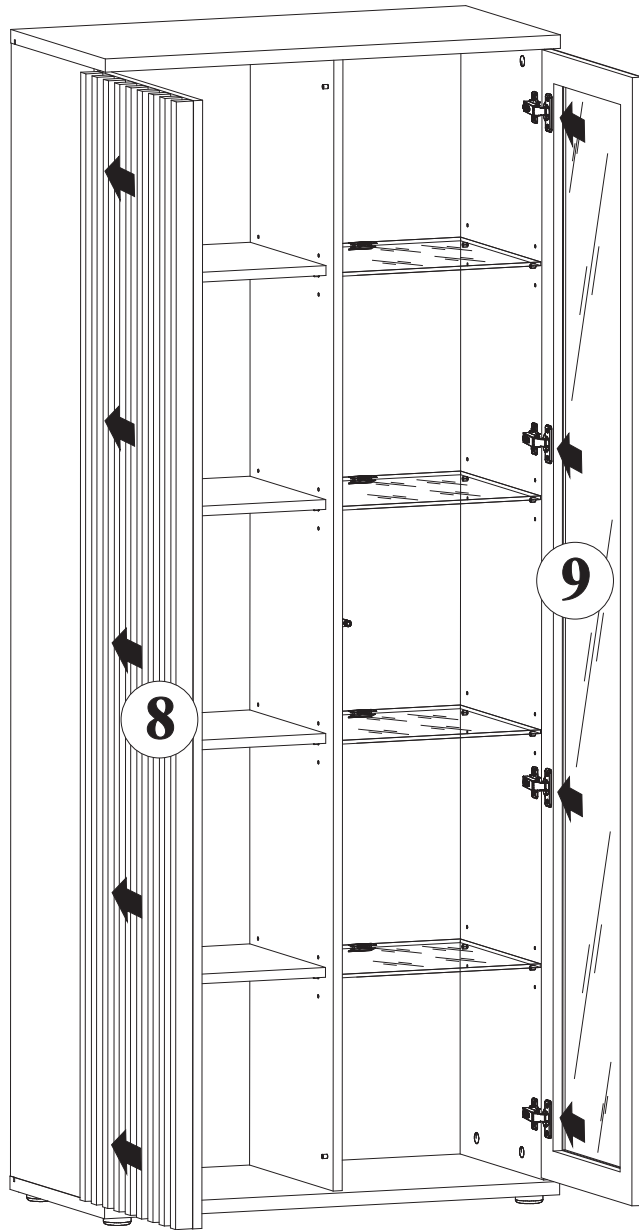
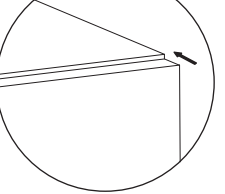
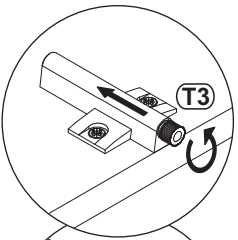
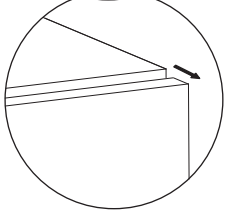
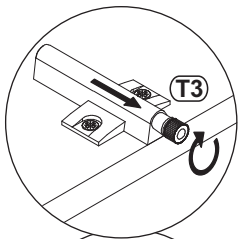
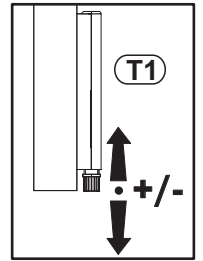
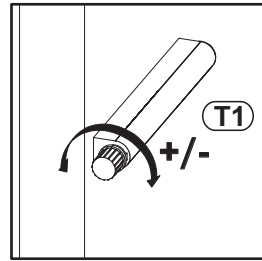
L1	
x1	



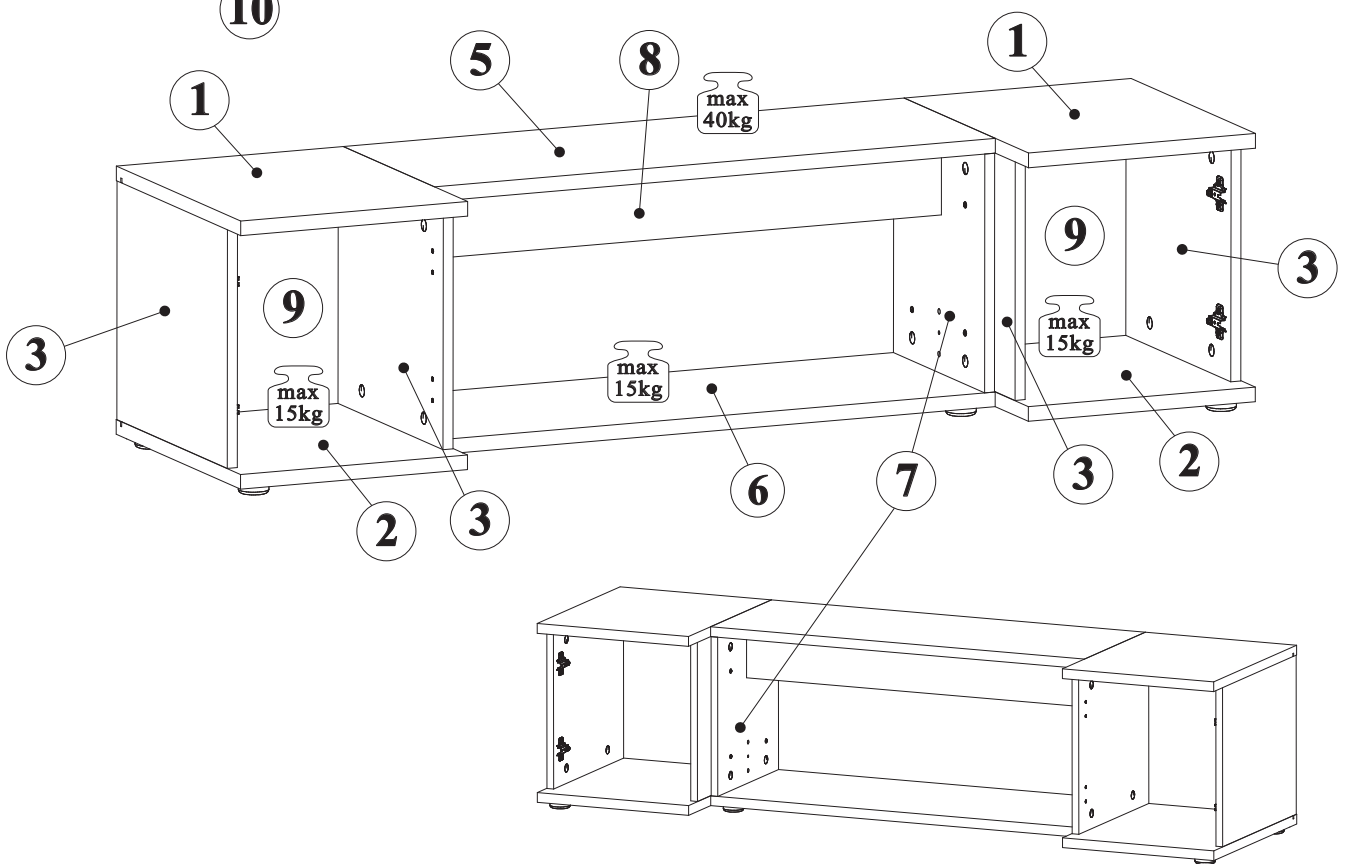
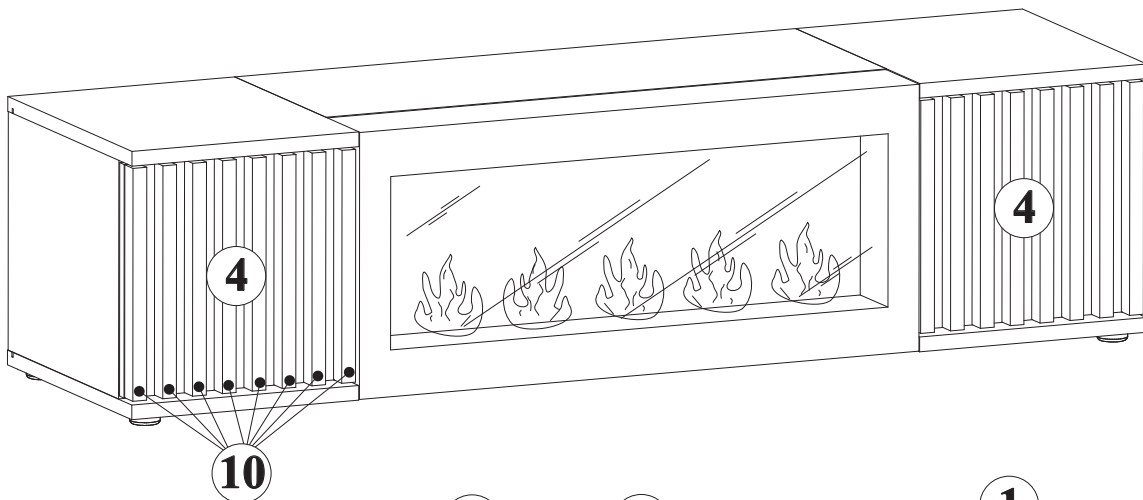
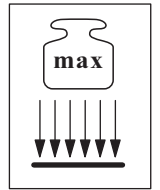
T3/T5	
x1	



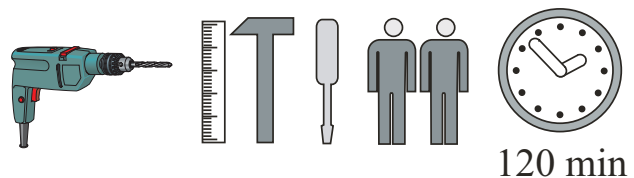
16



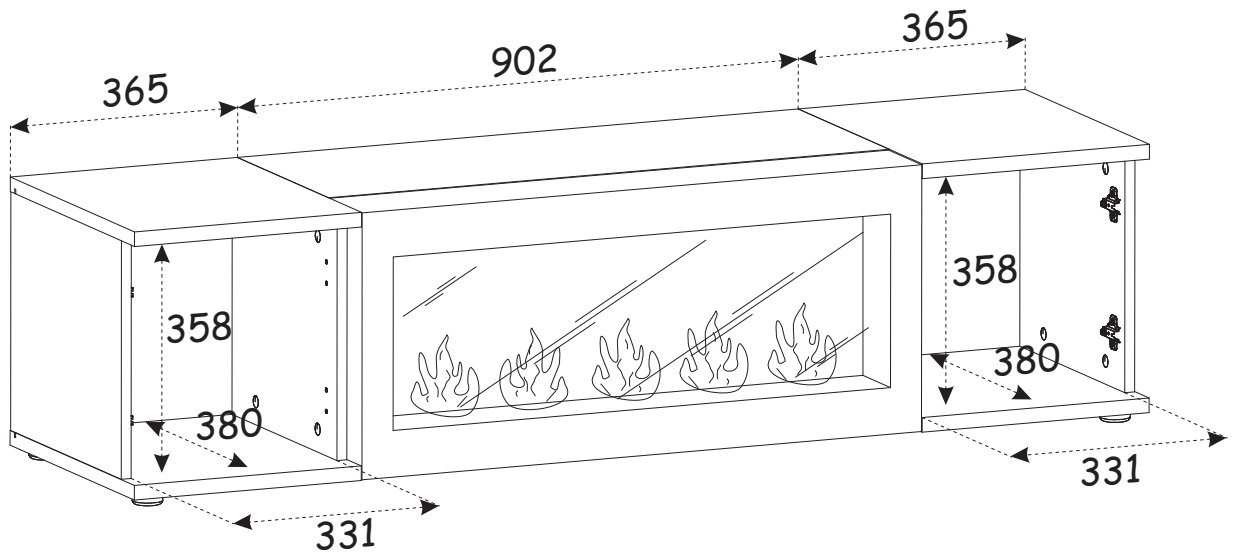
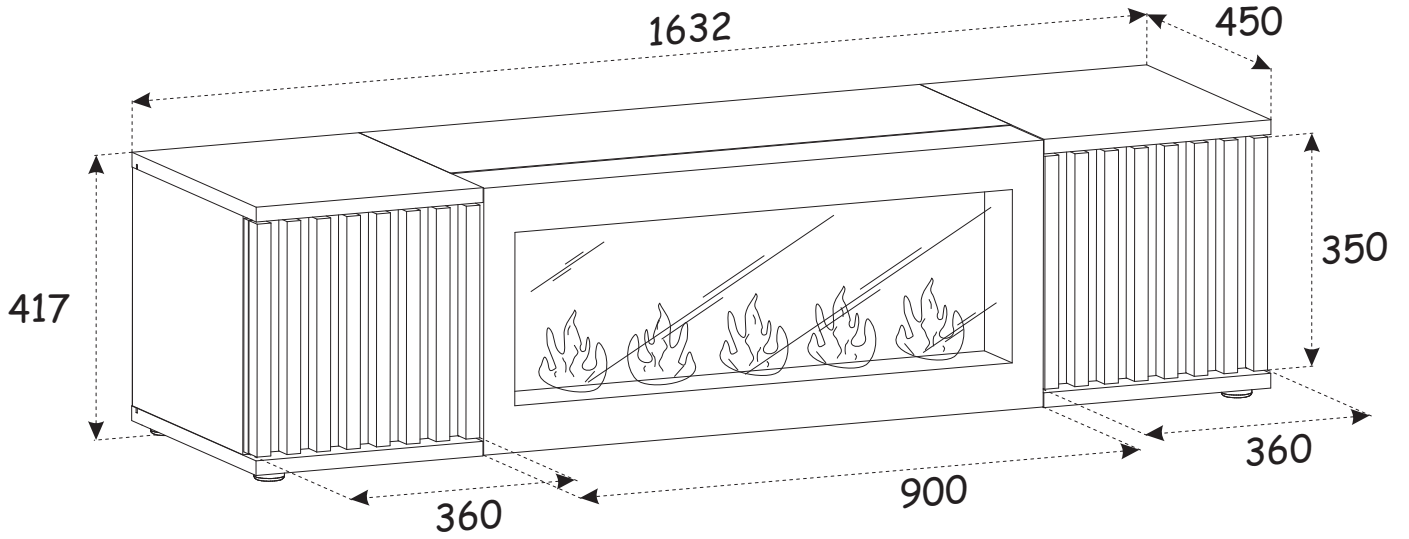
CAMERON ___ CM RTV-K

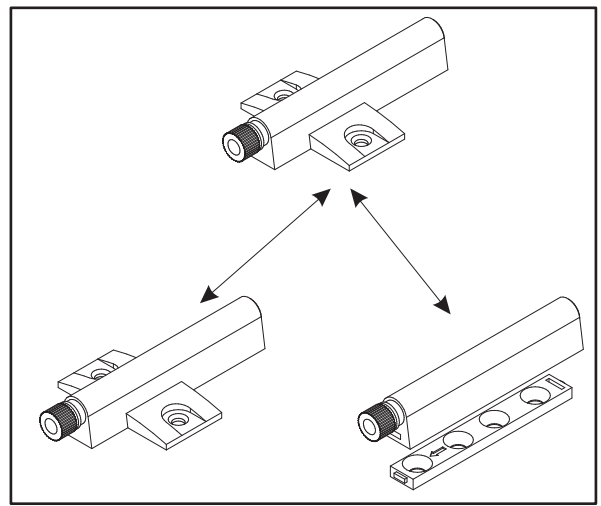
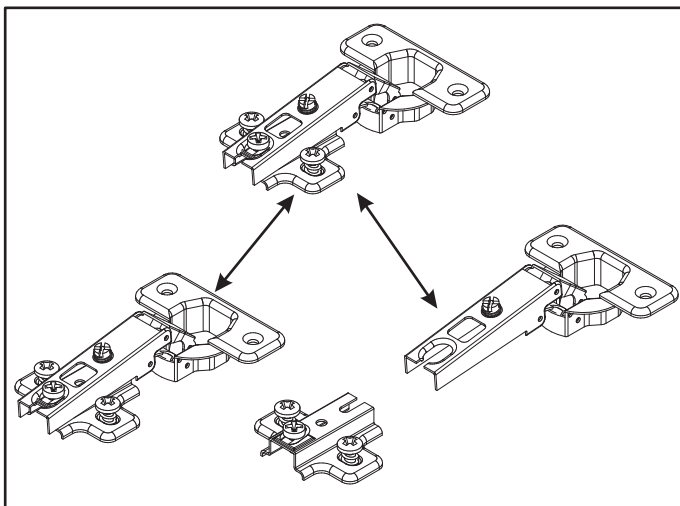
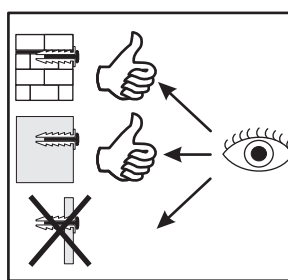
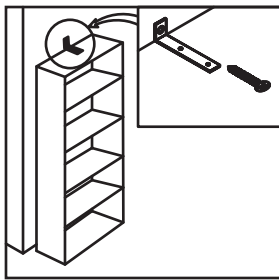
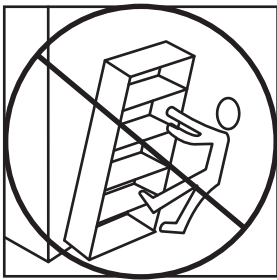
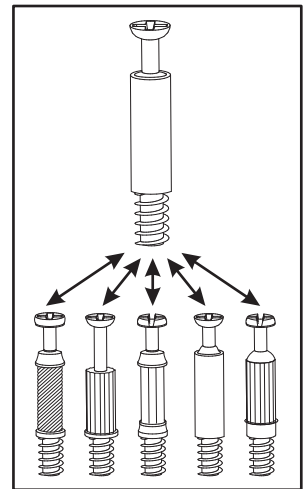
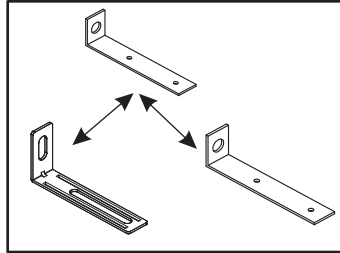
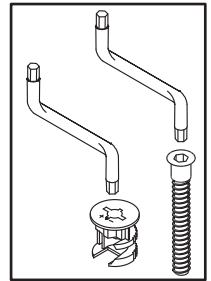
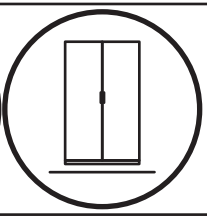
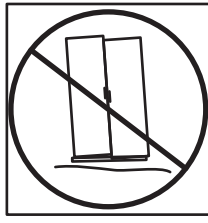
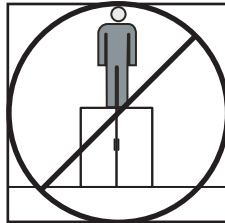
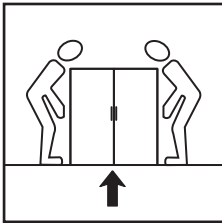
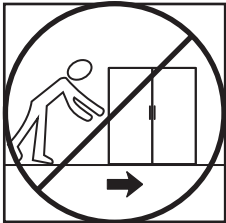
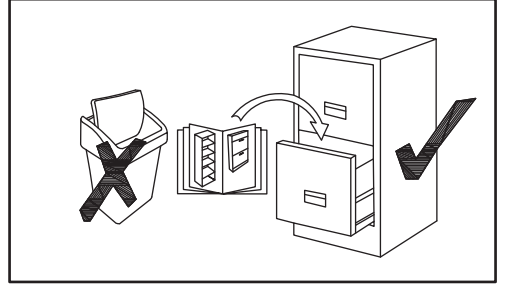
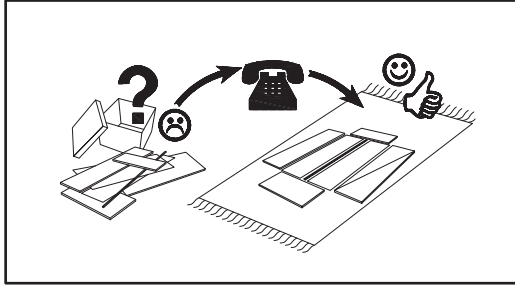
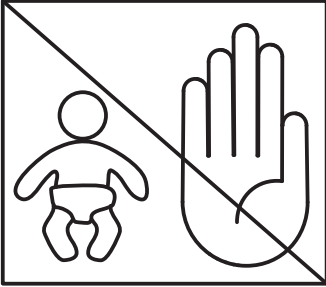
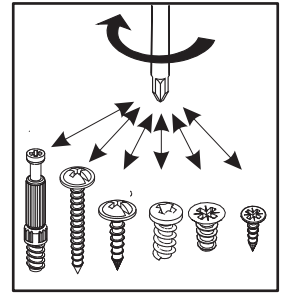
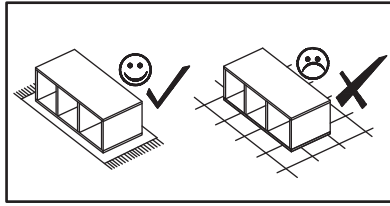
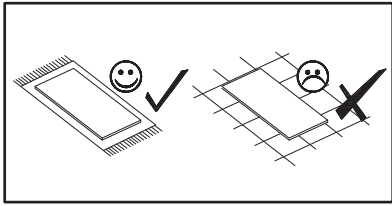


NO	Dim (mm)			Col.-No	Qty
1	365	450	22	1/2	2
2	365	450	22	1/2	2
3	358	400	16	1/2	4
4	350	360	16	1/2	2
5	902	330	22	2/2	1
6	902	330	22	2/2	1
7	358	330	16	2/2	2
8	868	120	16	2/2	1
9	370	343	3	2/2	2
10	349	30	22	2/2	16

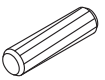


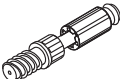


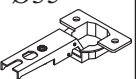
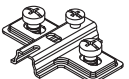
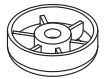
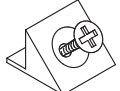




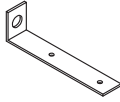
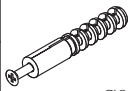

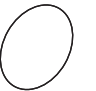


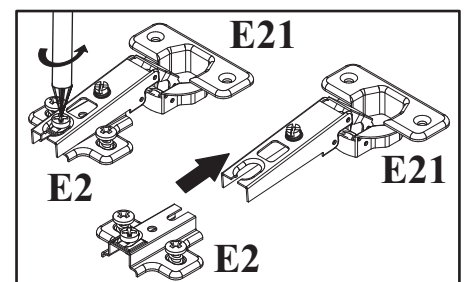
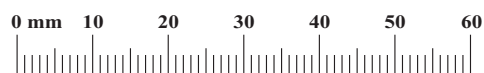
120 min



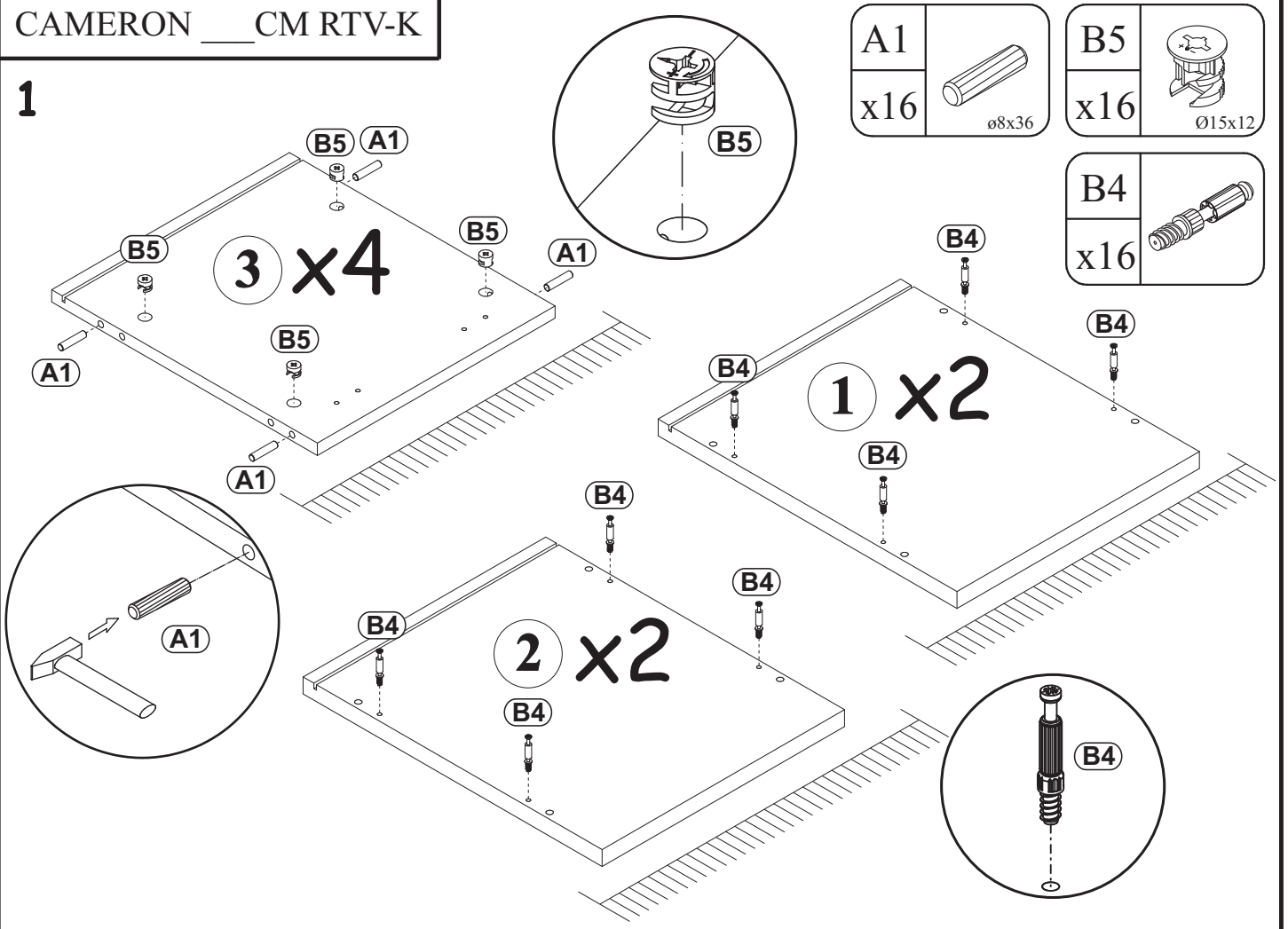


CAMERON ___ CM RTV-K

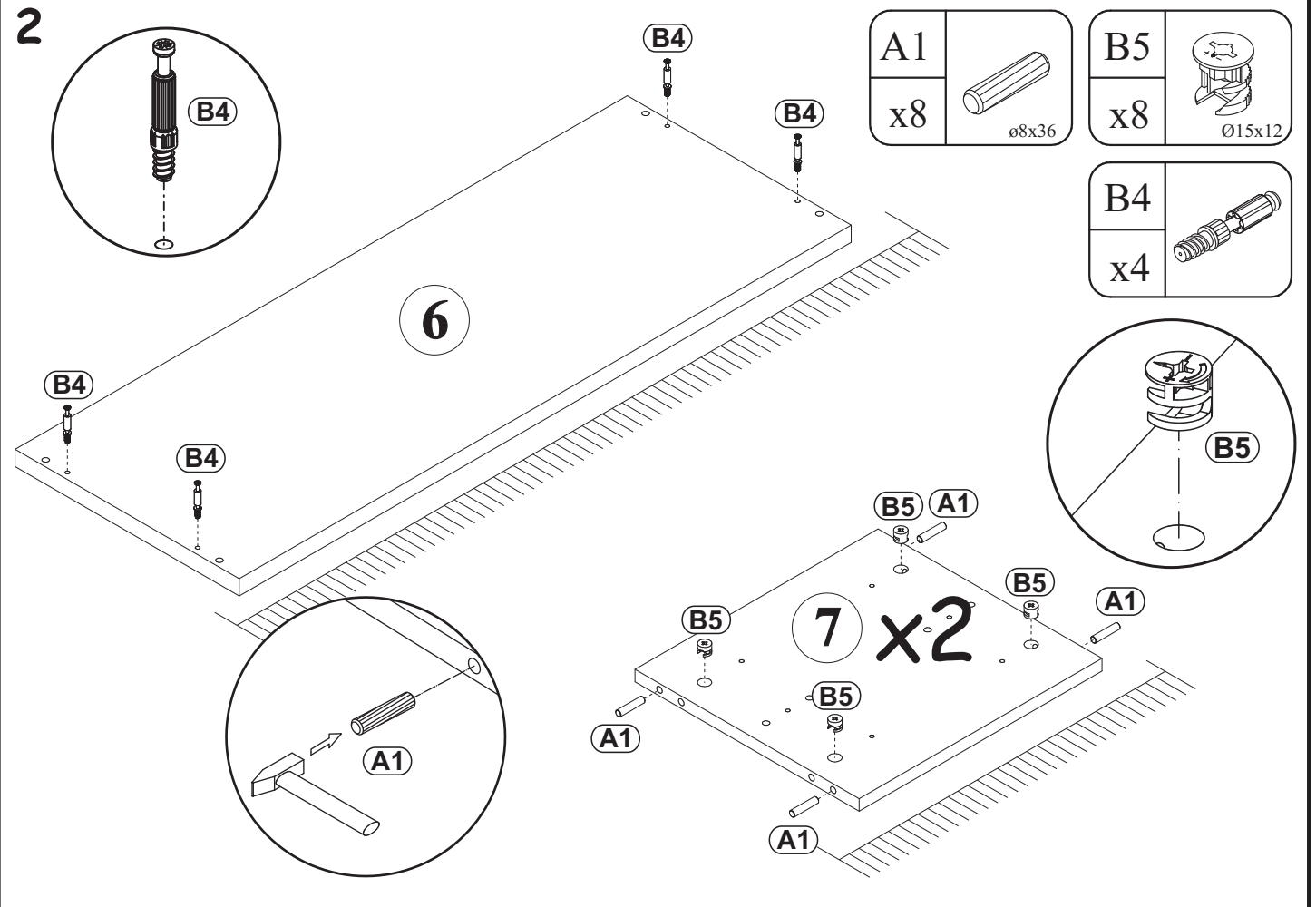
A1 x28  ø8x36	B22 x32  Ø7x40	G4 x28 	B4 x26 	B5 x26  Ø15x12	G5 x26 
E21 x4 Ø35 H=0 	E2 x4 H=0 	I11 x8 Ø45, h=15 	S1 x12 	Z2 x8 Ø5 	UP6 x10 UPØ4x30 
UP11 x8 UPØ4x20 	D10 x12 USØ3,5x13 	L1 x2 	KR1 x2 Ø8 	G2 x1 	G12 x4 Ø14 



1

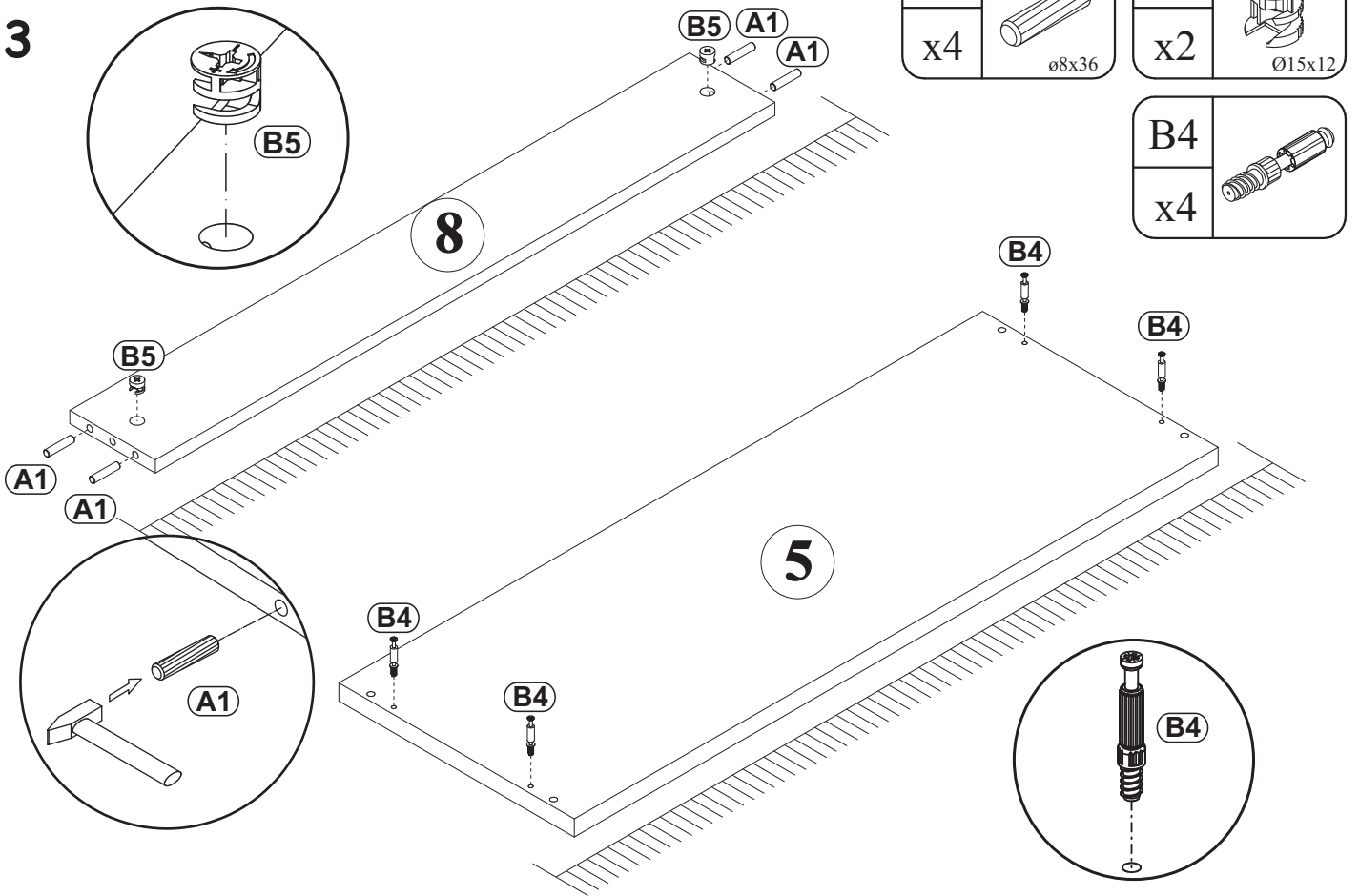


2



CAMERON ___ CM RTV-K

3

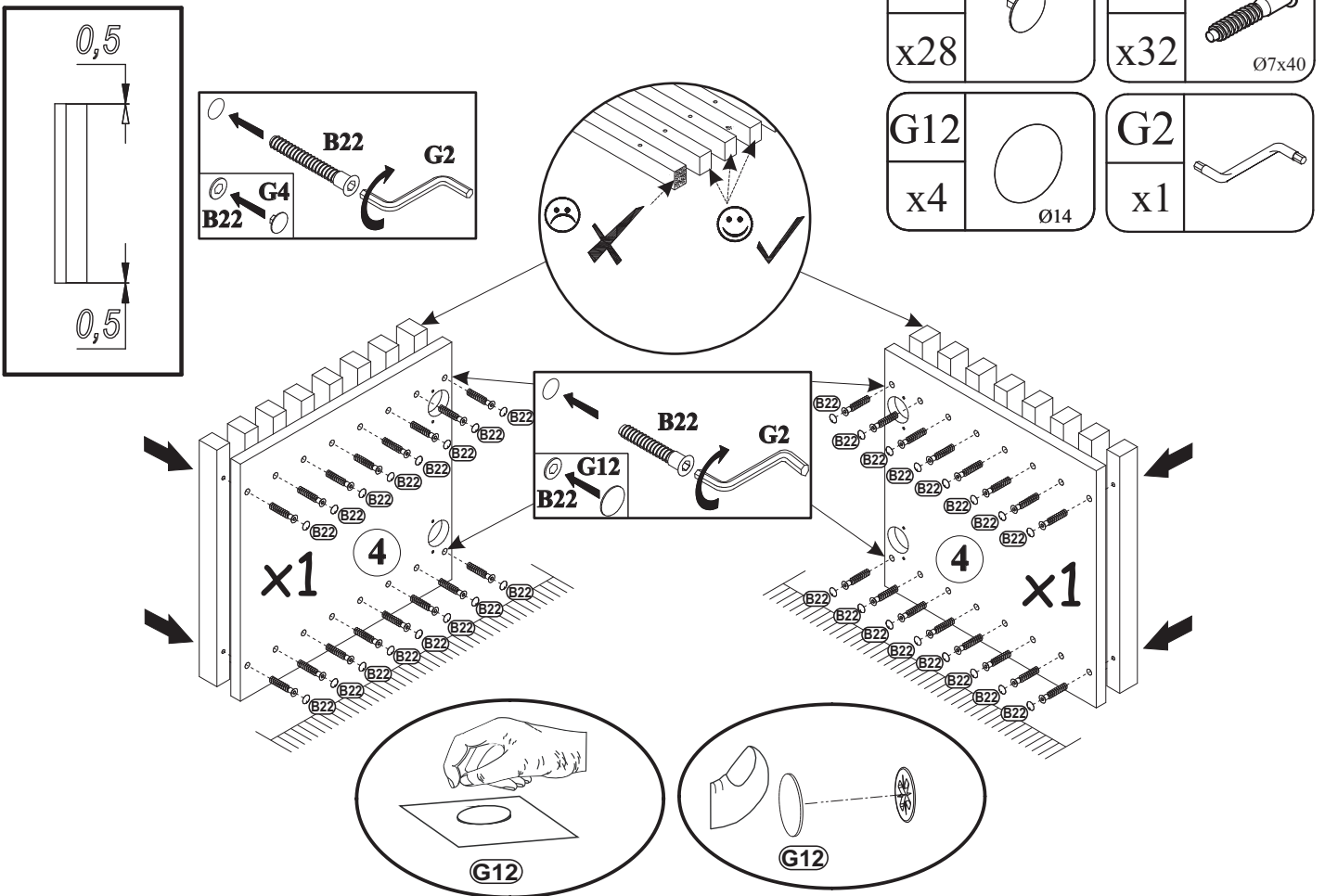


A1	
x4	ø8x36

B5	
x2	Ø15x12

B4	
x4	

4



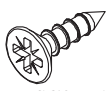
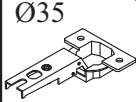
G4	
x28	

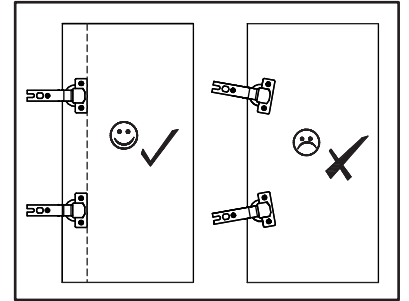
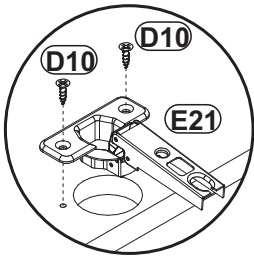
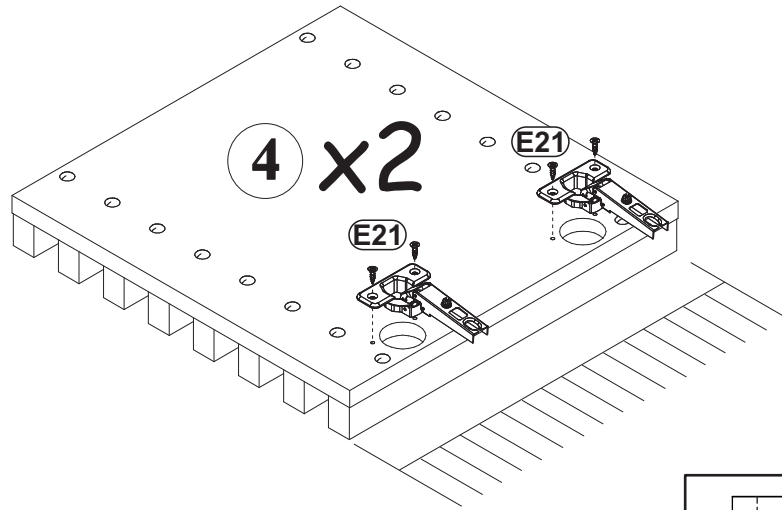
B22	
x32	Ø7x40

G12	
x4	Ø14


G2	
x1	

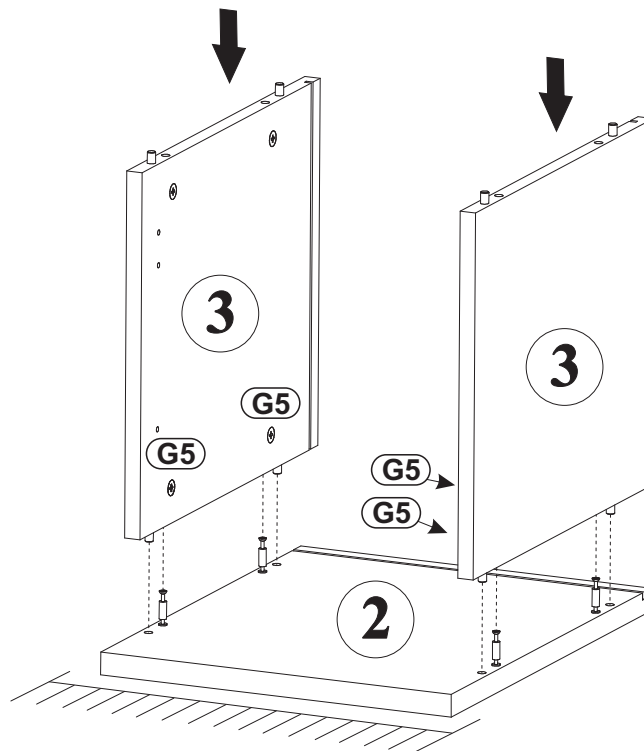
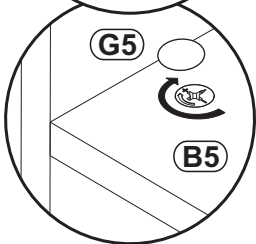
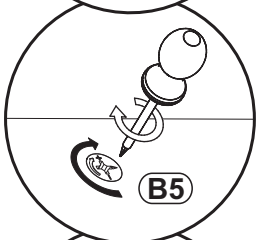
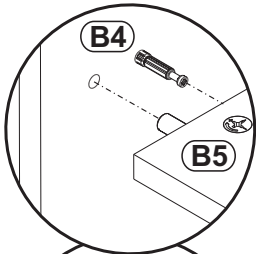
5

D10		E21	
x8	USØ3,5x13	x4	H=0



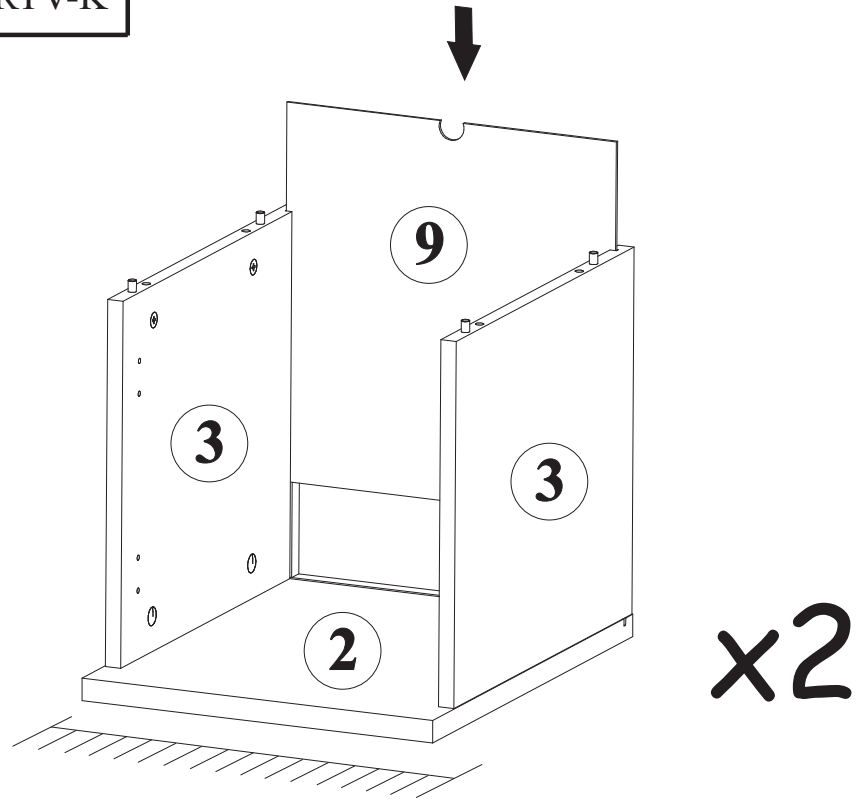
6

G5	
x8	

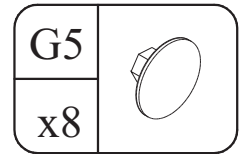
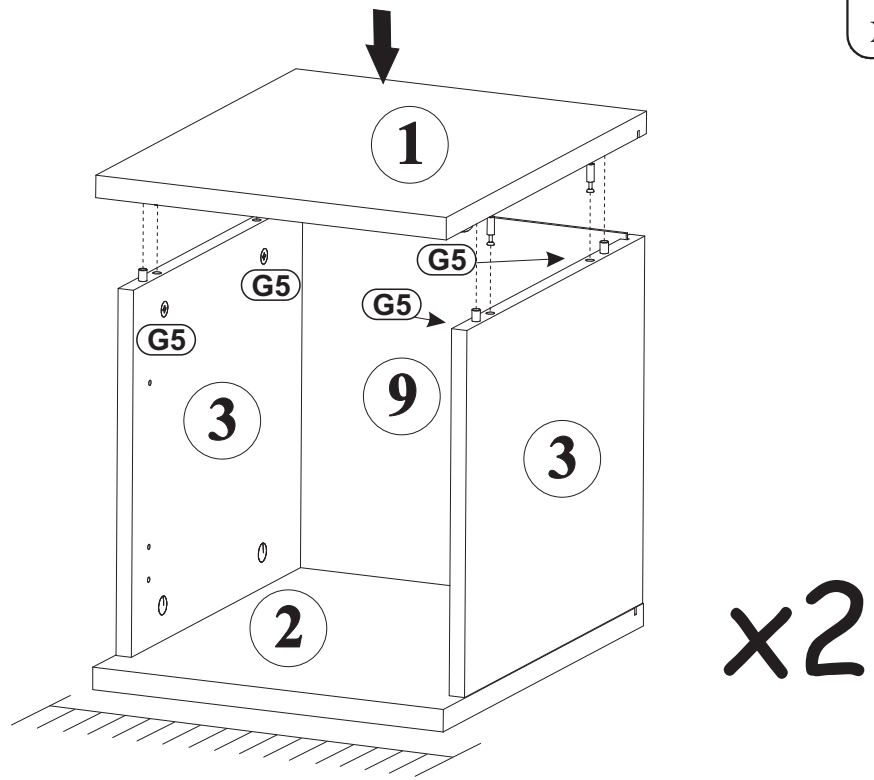
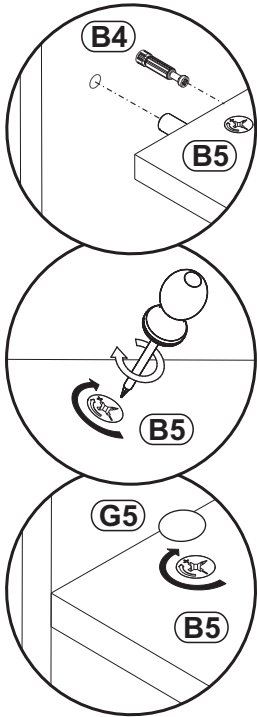


x2

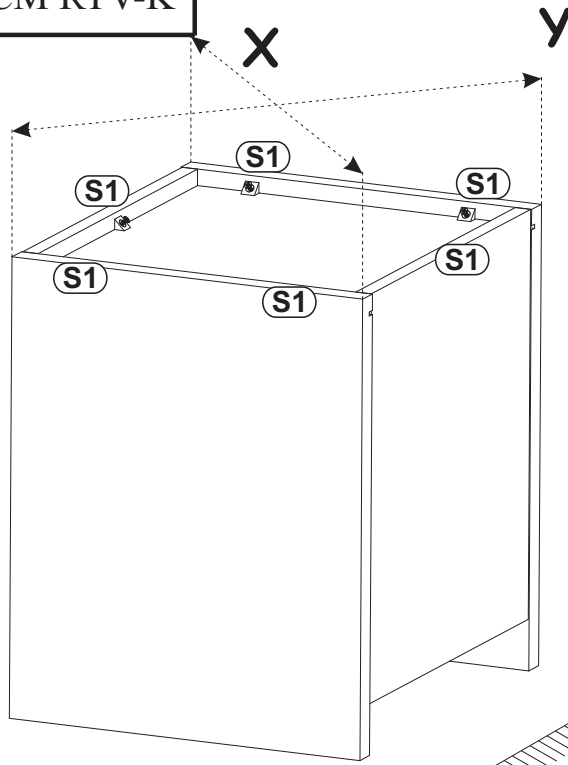
7



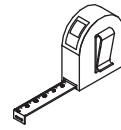
8



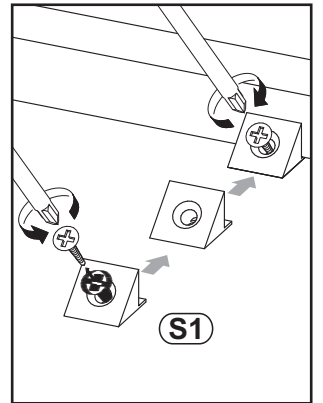
9



S1	
x12	

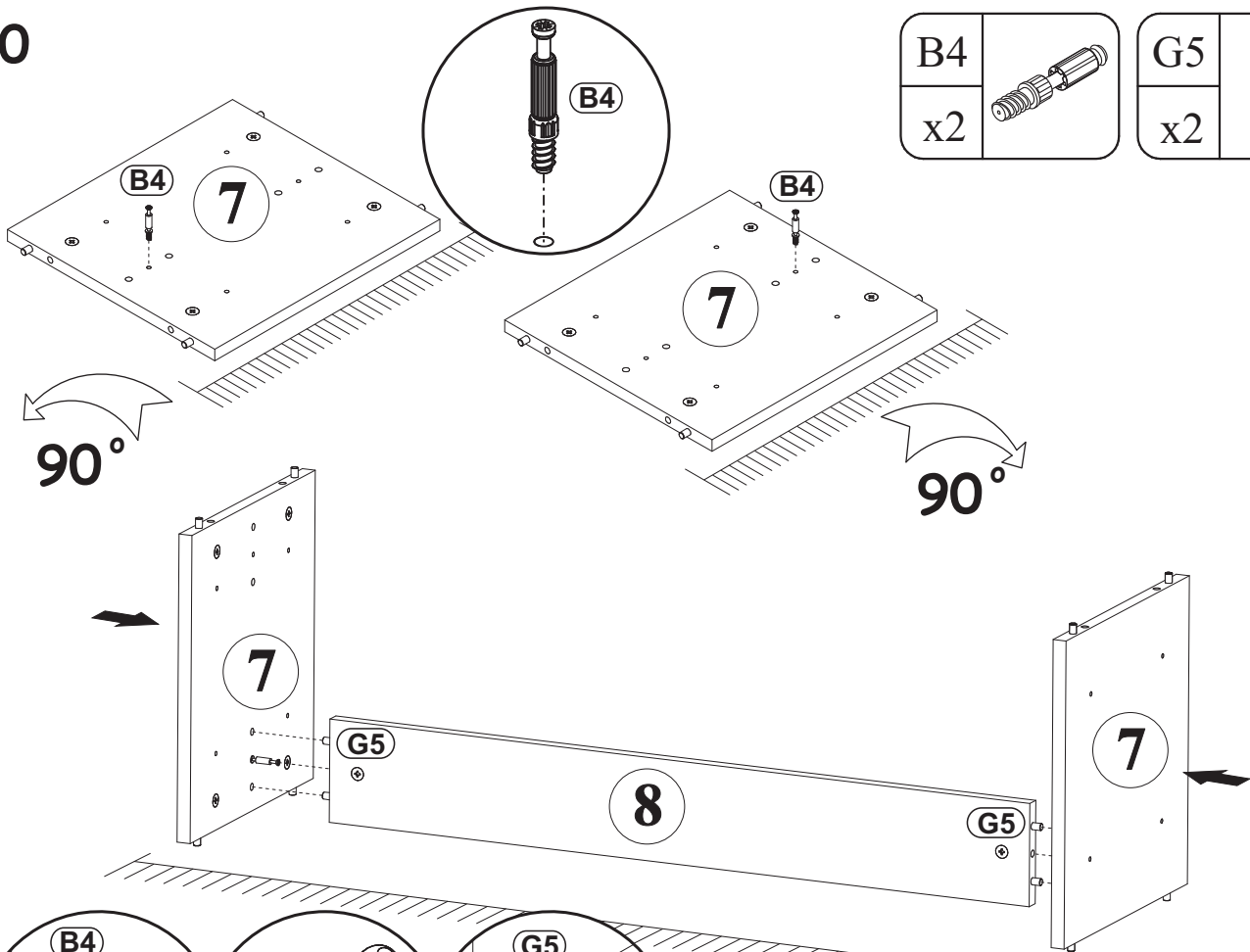


$X=Y$ 90°



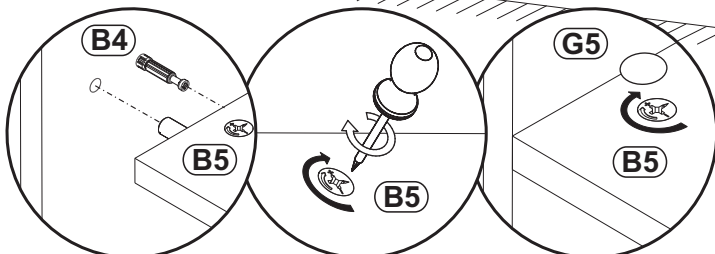
x2

10




B4	
x2	

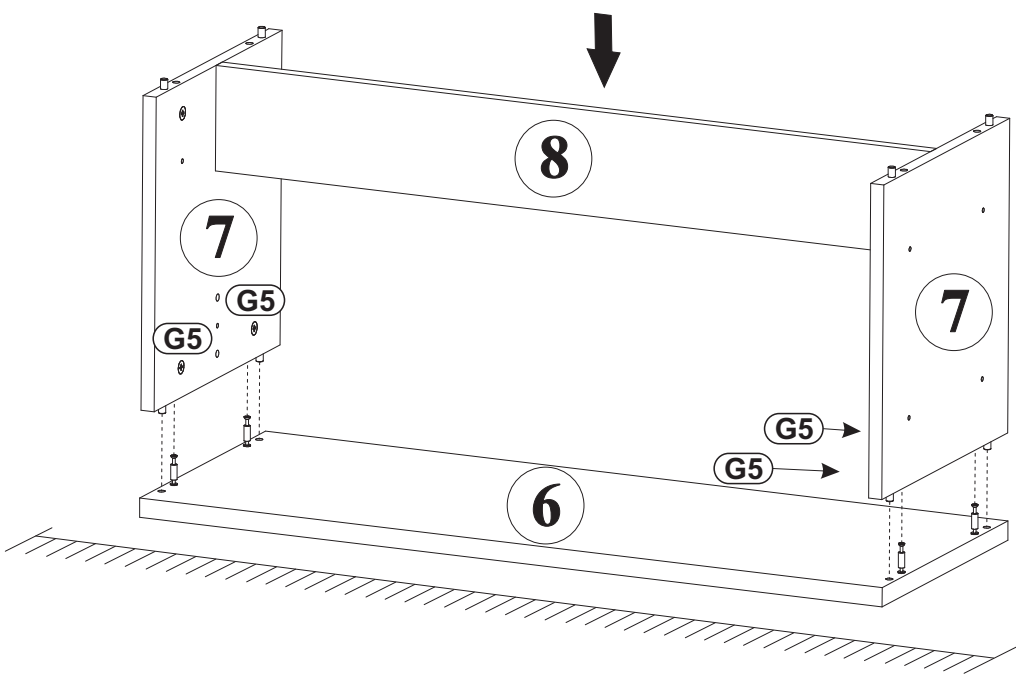
G5	
x2	



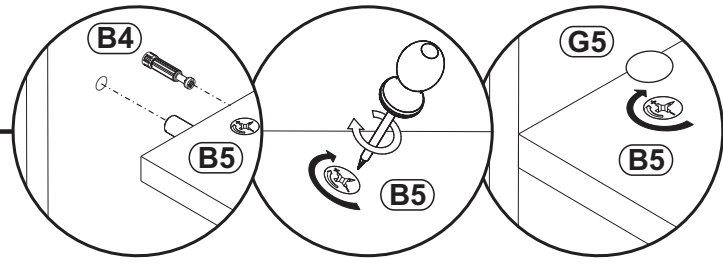
180°


G5	
x4	

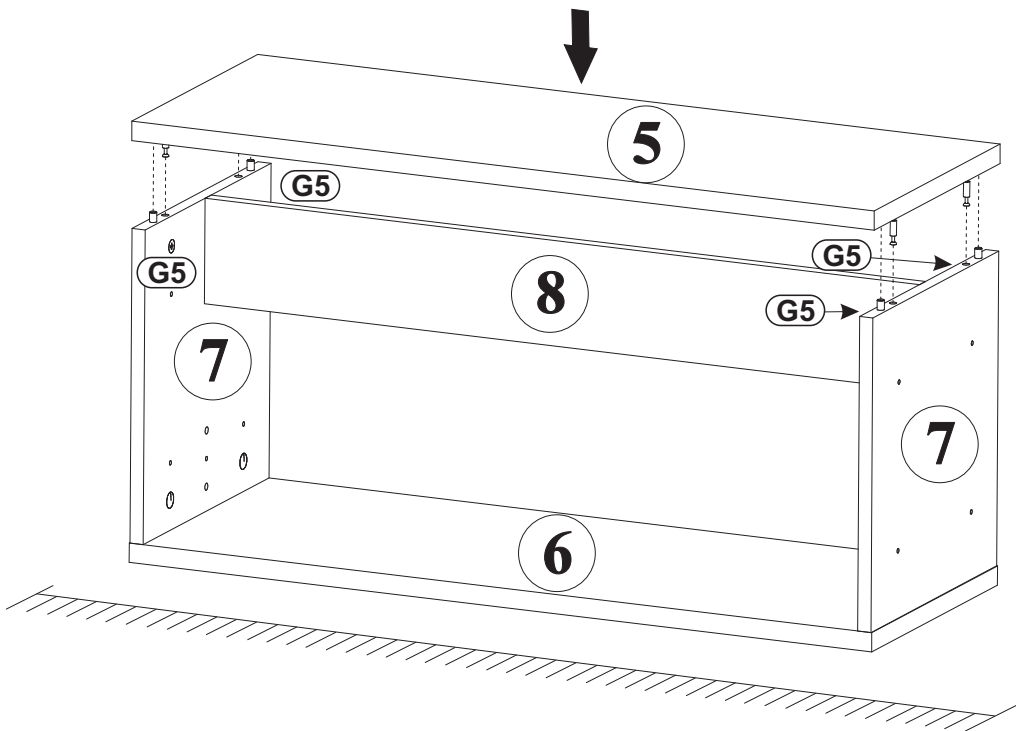
11




12

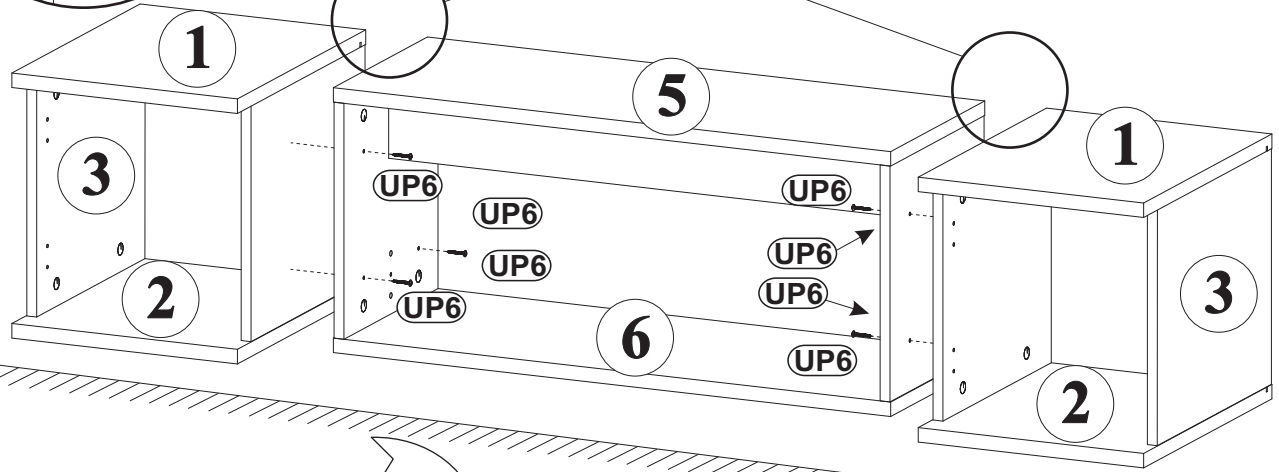
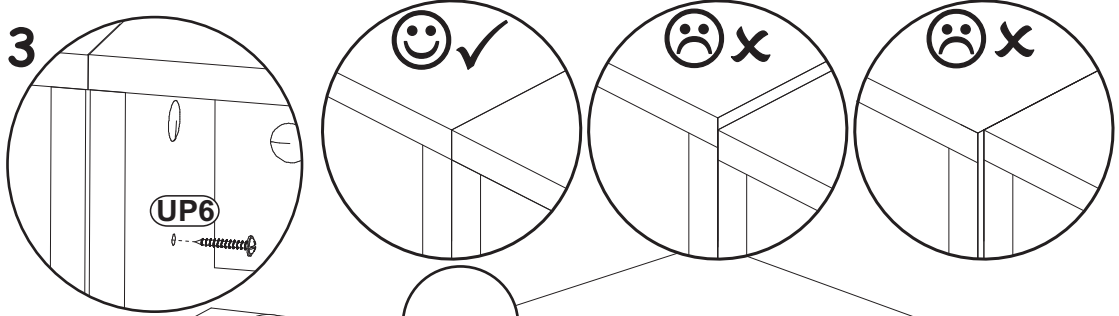


G5	
x4	



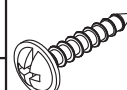
UP6	
X8	UPØ4x30


13

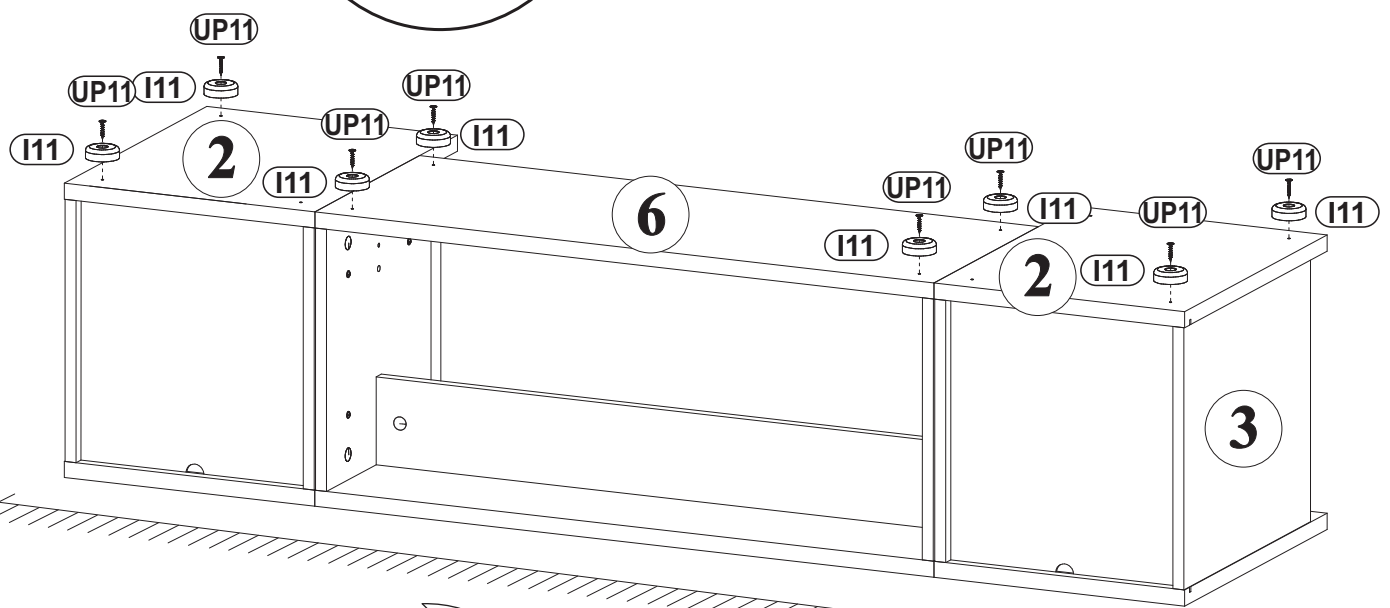
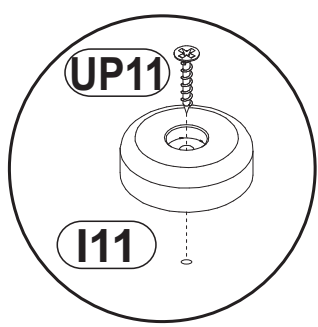


180°

14


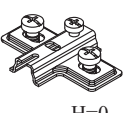
UP11	
X8	UPØ4x20

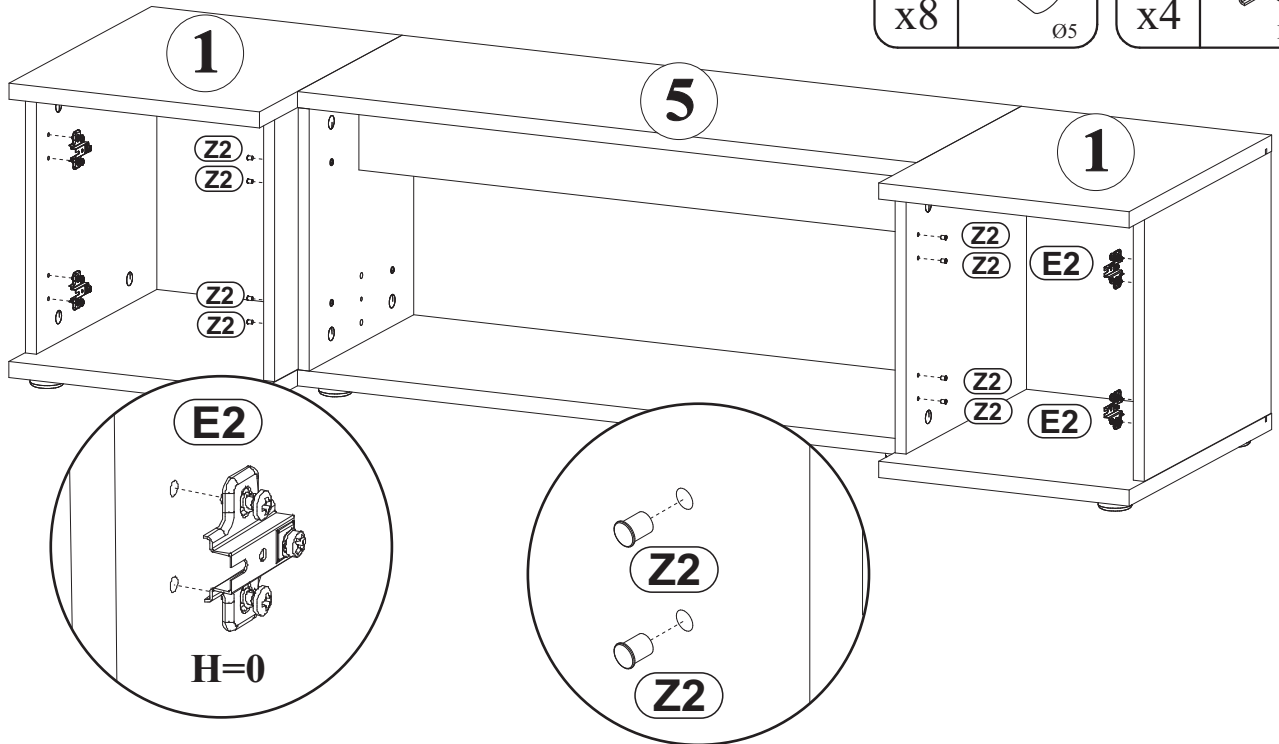
I11	
X8	Ø45, h=15




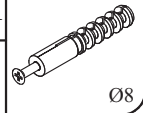
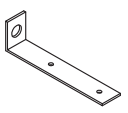
180°

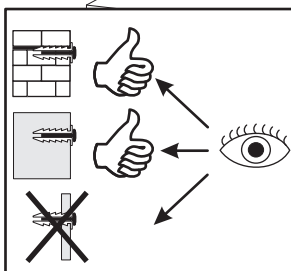
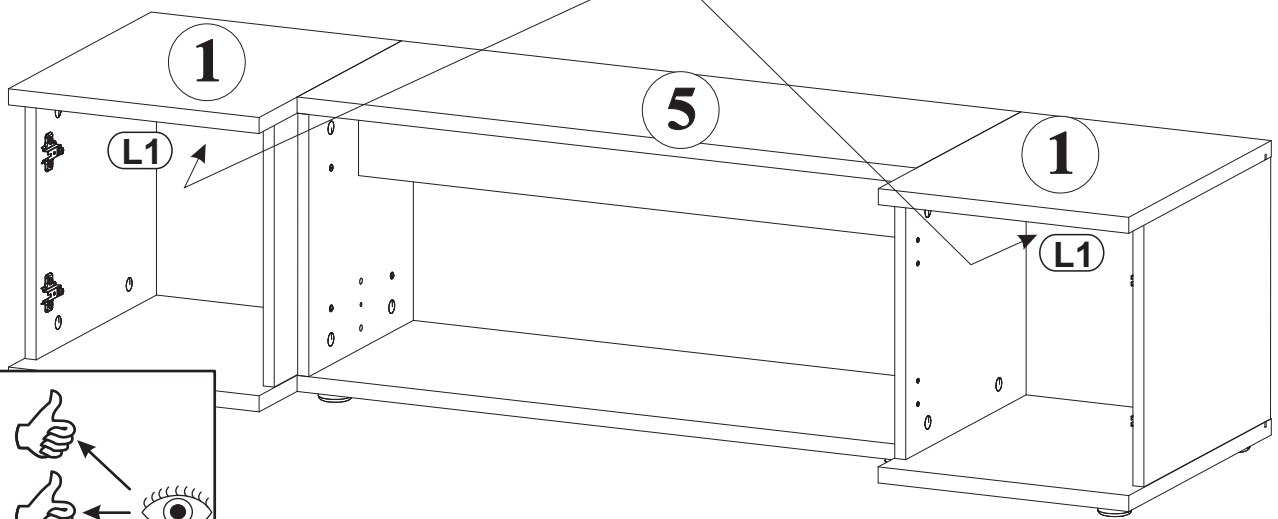
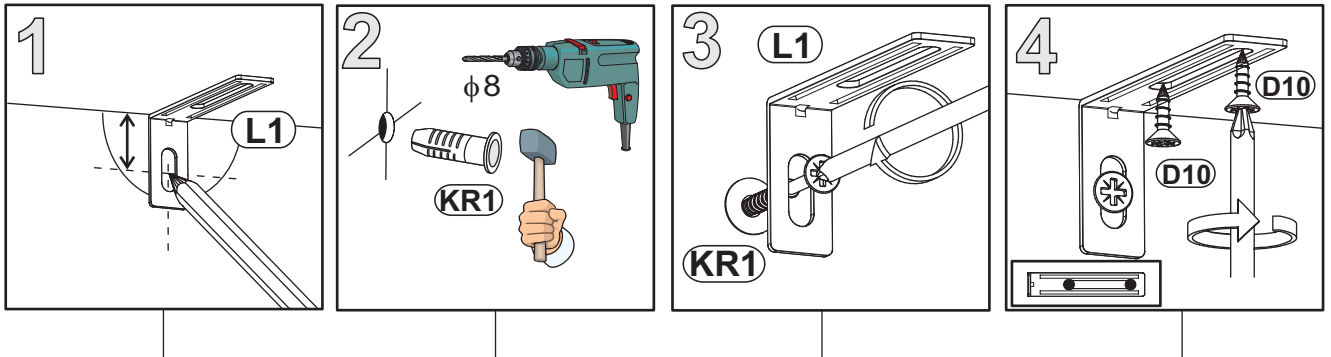
15

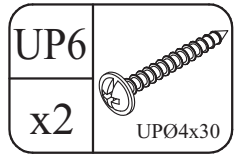
Z2		E2	
x8	Ø5	x4	H=0



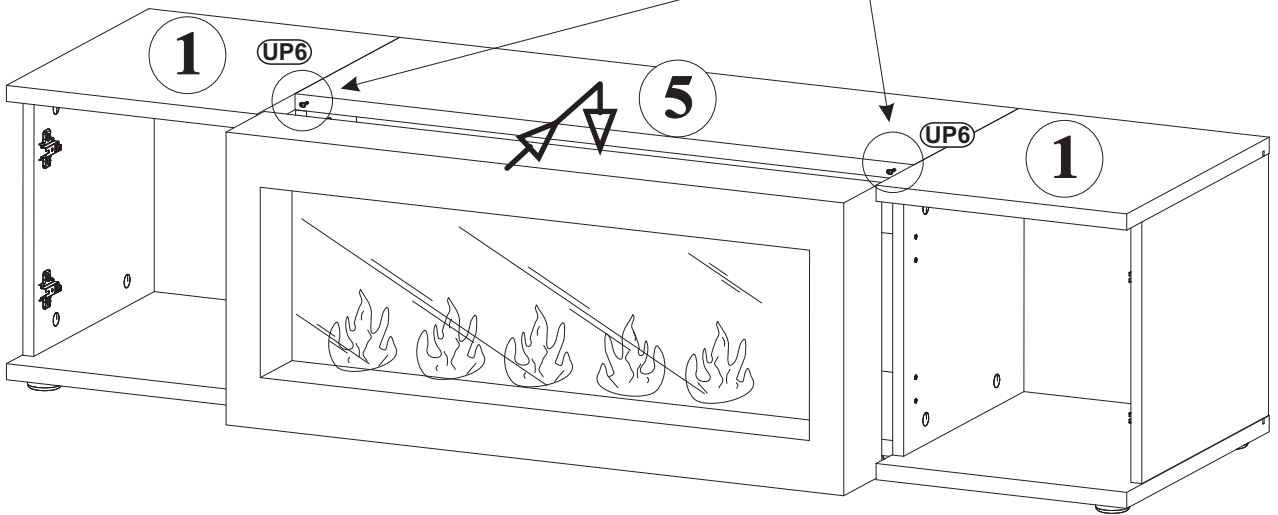
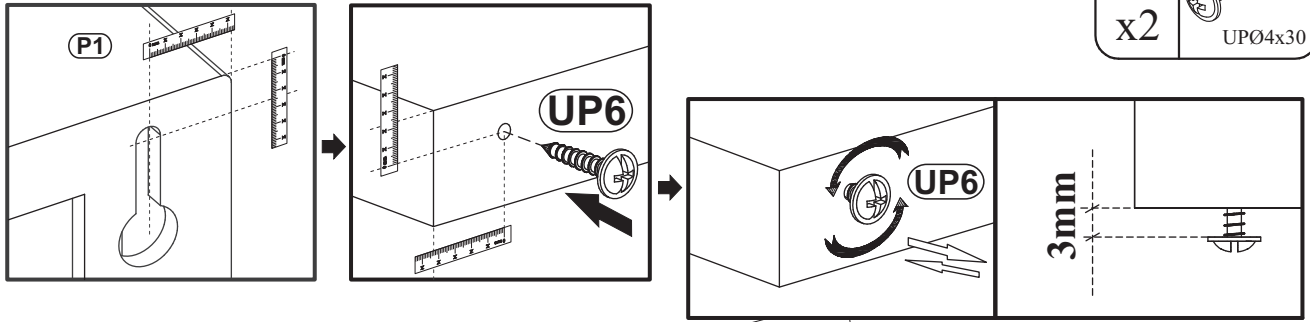
16

D10		KR1		L1	
x4	USØ3,5x13	x2	Ø8	x2	

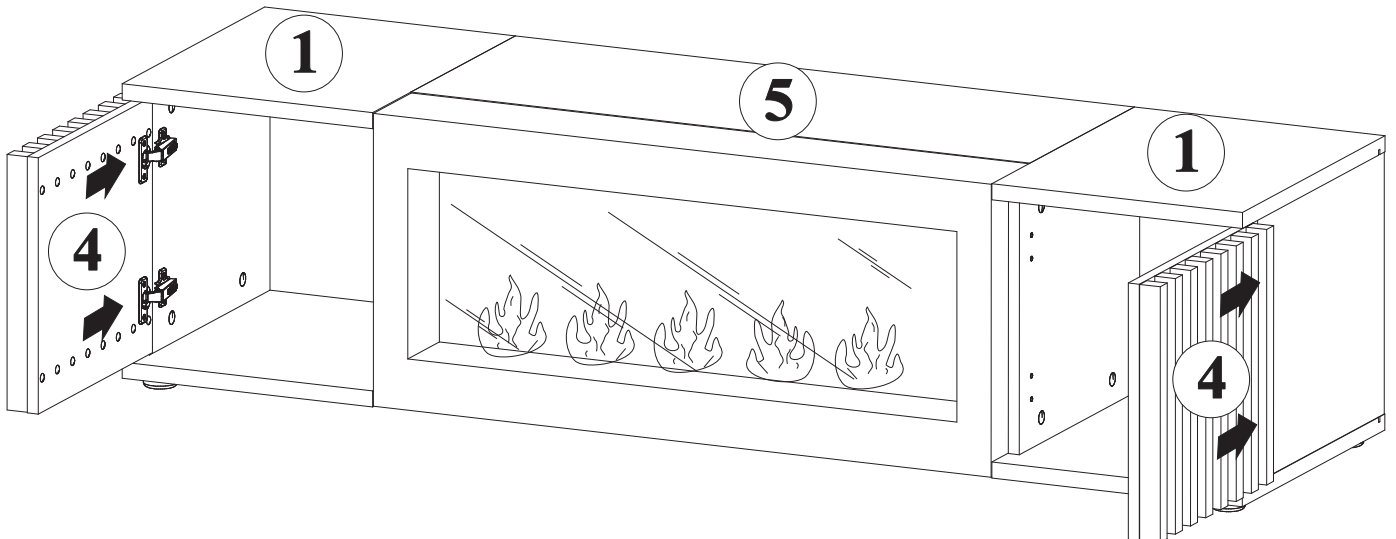
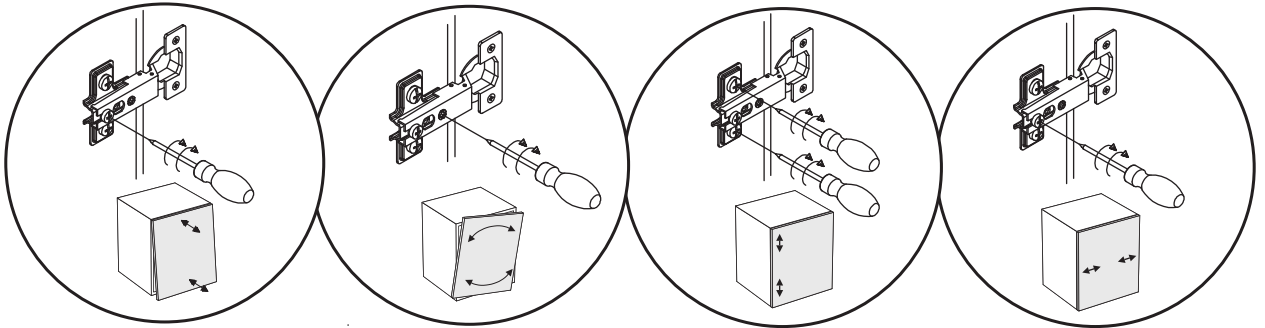




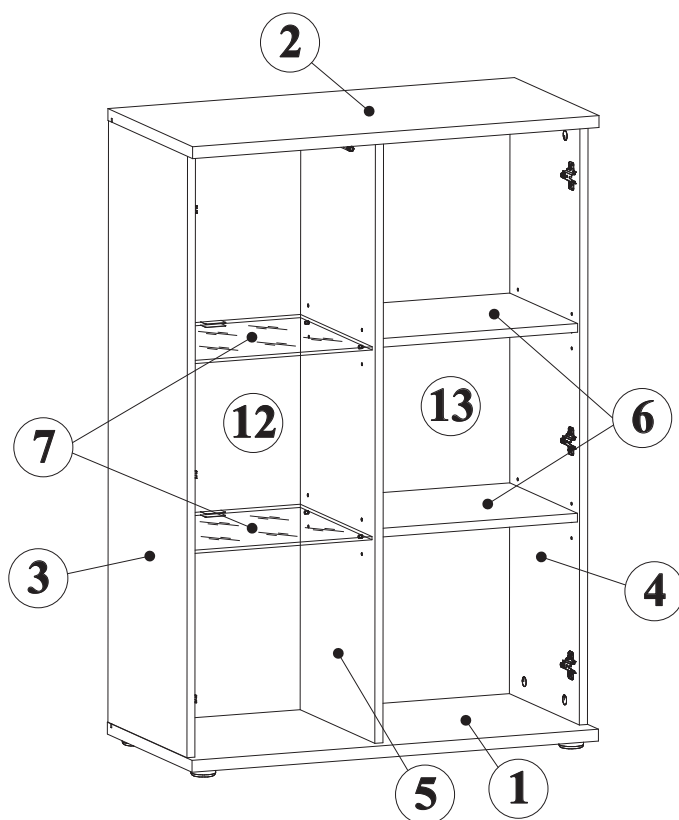
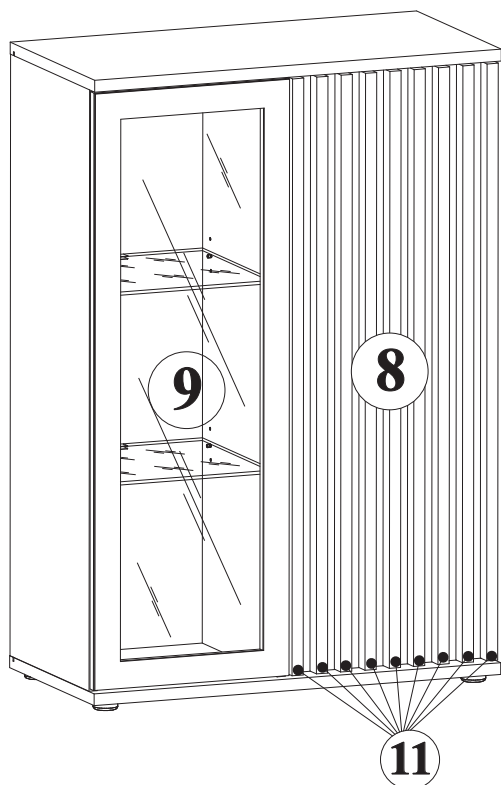
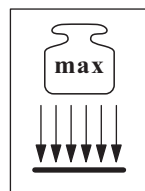
17



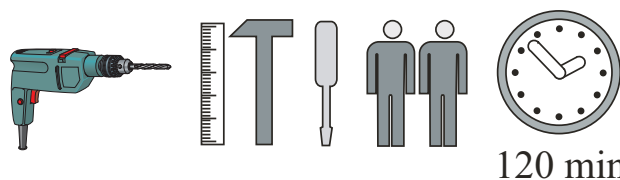
18



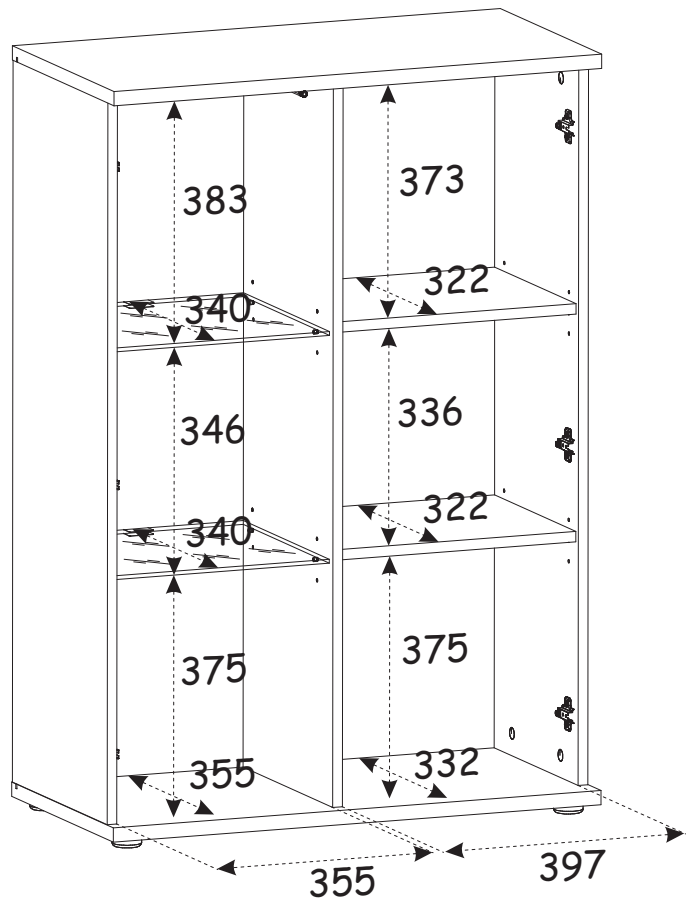
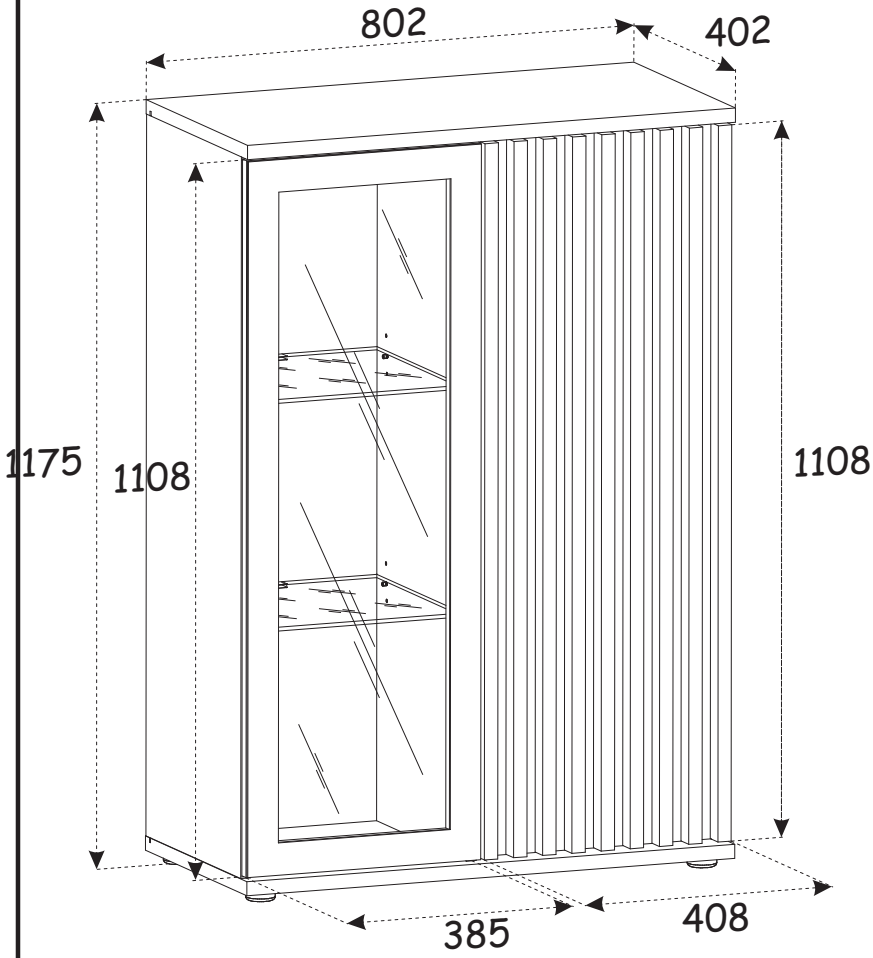
CAMERON ___ CM WSN

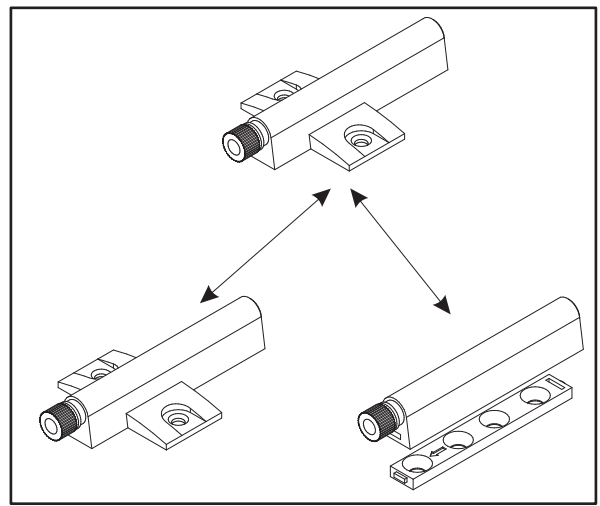
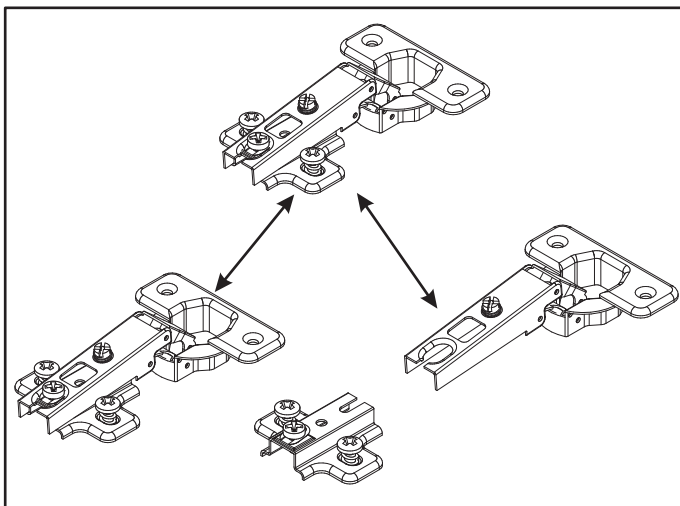
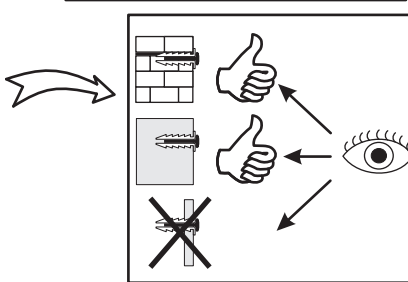
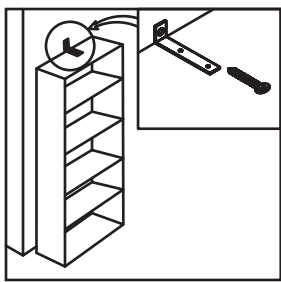
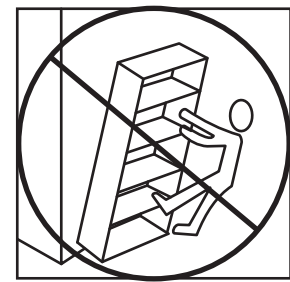
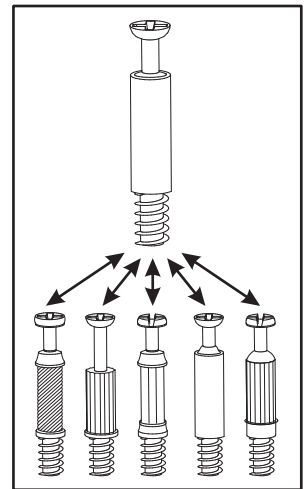
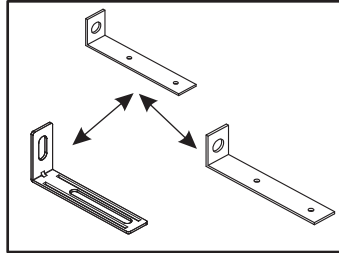
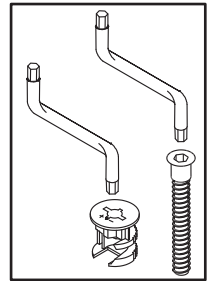
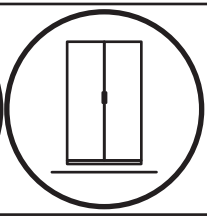
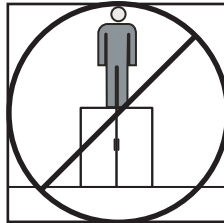
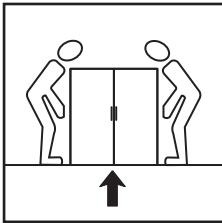
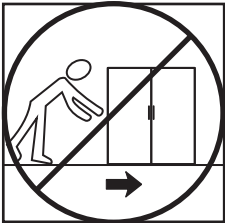
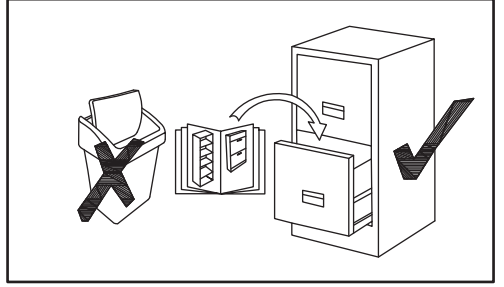
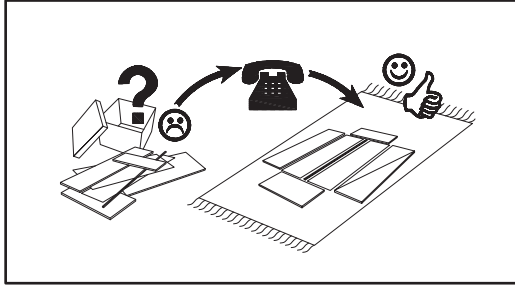
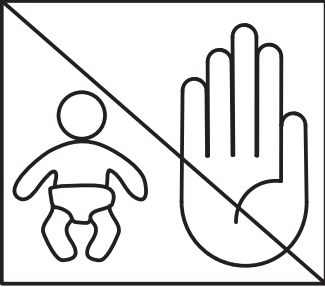
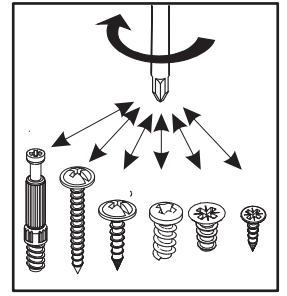
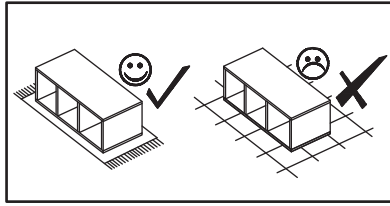
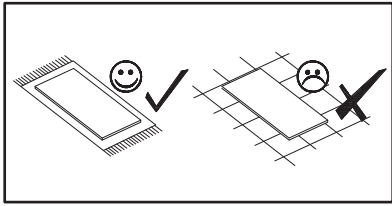


NO	Dim (mm)			Col.-No	Qty
1	802	402	22	1/2	1
2	802	402	22	1/2	1
3	1116	375	16	1/2	1
4	1116	352	16	1/2	1
5	1116	355	16	2/2	1
6	397	322	16	1/2	2
7	354	340	6	1/2	2
8	1108	408	16	2/2	1
9	1108	385	16	2/2	1
11	1107	30	22	2/2	9
12	1128	369	3	2/2	1
13	1128	411	3	2/2	1



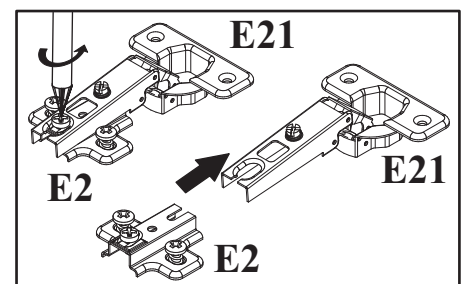
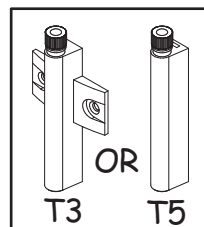
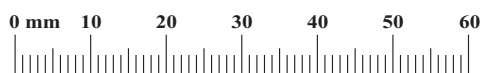
120 min



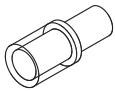


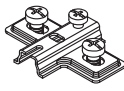
CAMERON ___ CM WSN

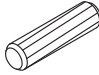
A1 x12 ø8x36	B22 x27 Ø7x40	G4 x24	B4 x12	B5 x12 Ø15x12	G5 x12
E21 x6 Ø35 H=0	E2 x6 H=0	T3/T5 x1	LED x1 1x2	S1 x18	G16 x6
G7 x8	G20 x10	I11 x5 Ø45, h=15	UP11 x5 UPØ4x20	D10 x16 USØ3,5x13	UP9 x6 UPØ3,5x16
KR1 x1 Ø8	L1 x1	G2 x1	G12 x3 Ø14		

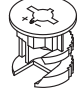


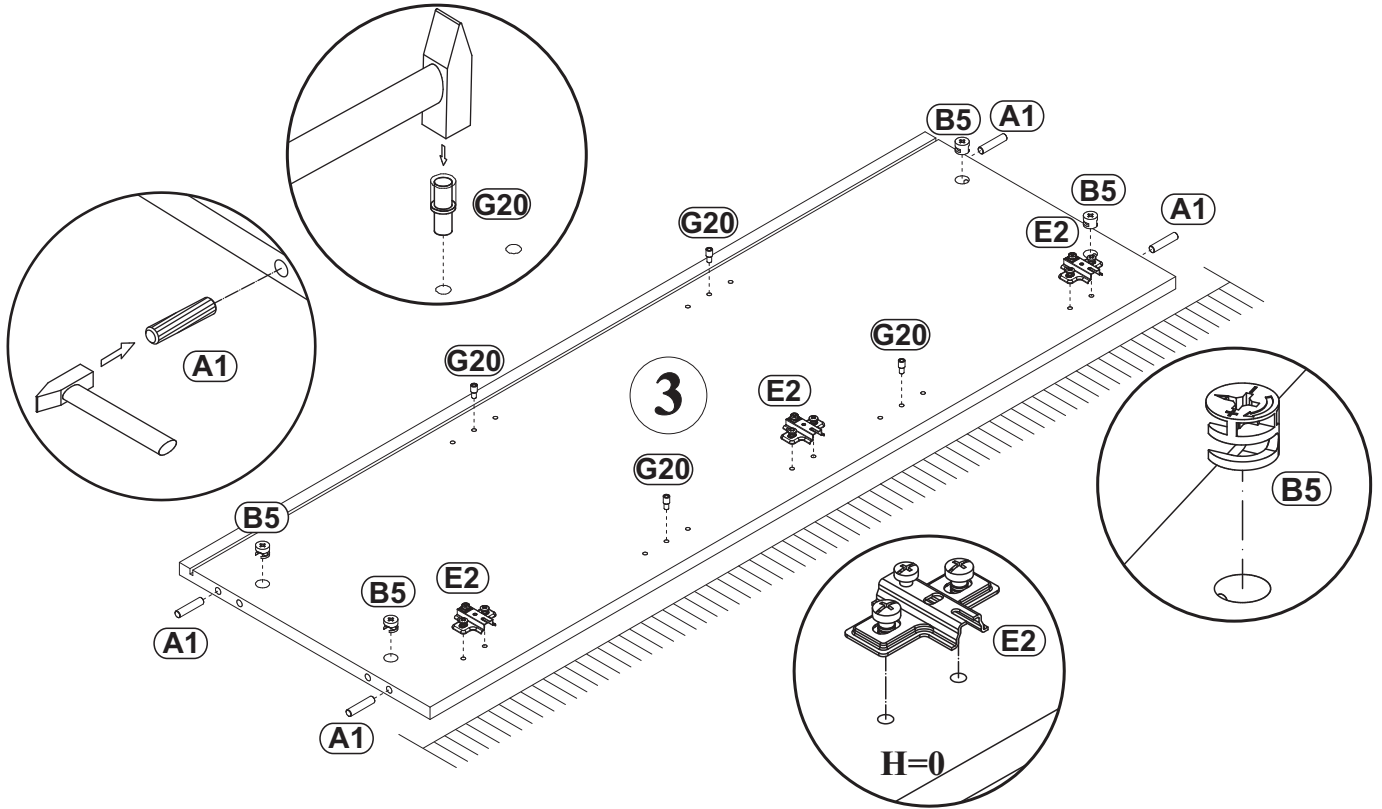
1

G20	
x4	

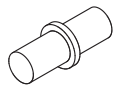
E2	
x3	H=0

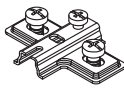
A1	
x4	ø8x36

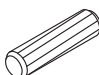
B5	
x4	Ø15x12

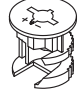


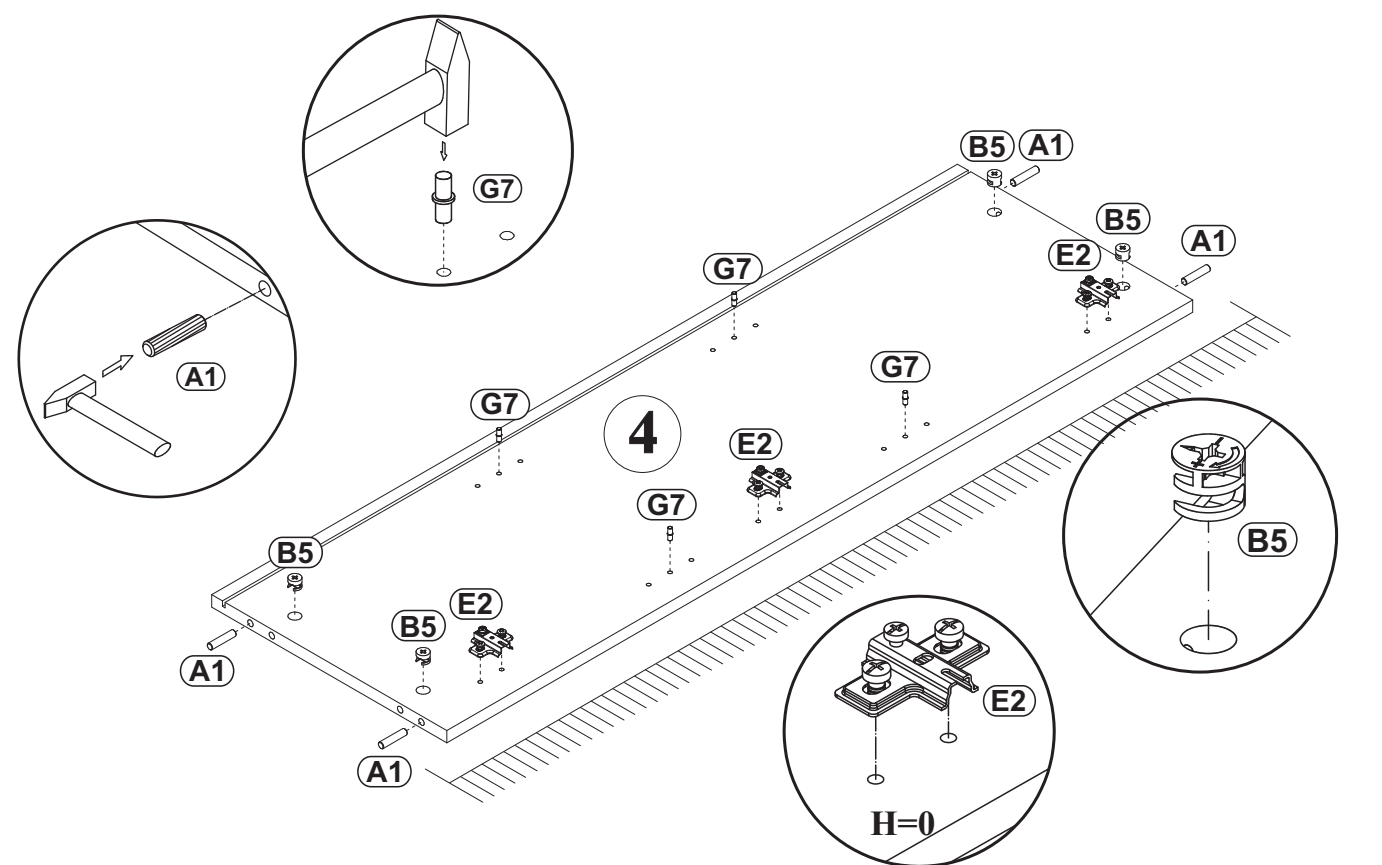
2

G7	
x4	

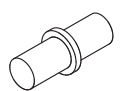
E2	
x3	H=0

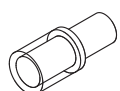
A1	
x4	ø8x36

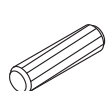
B5	
x4	Ø15x12

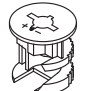


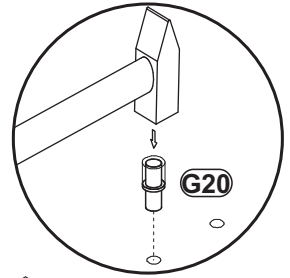
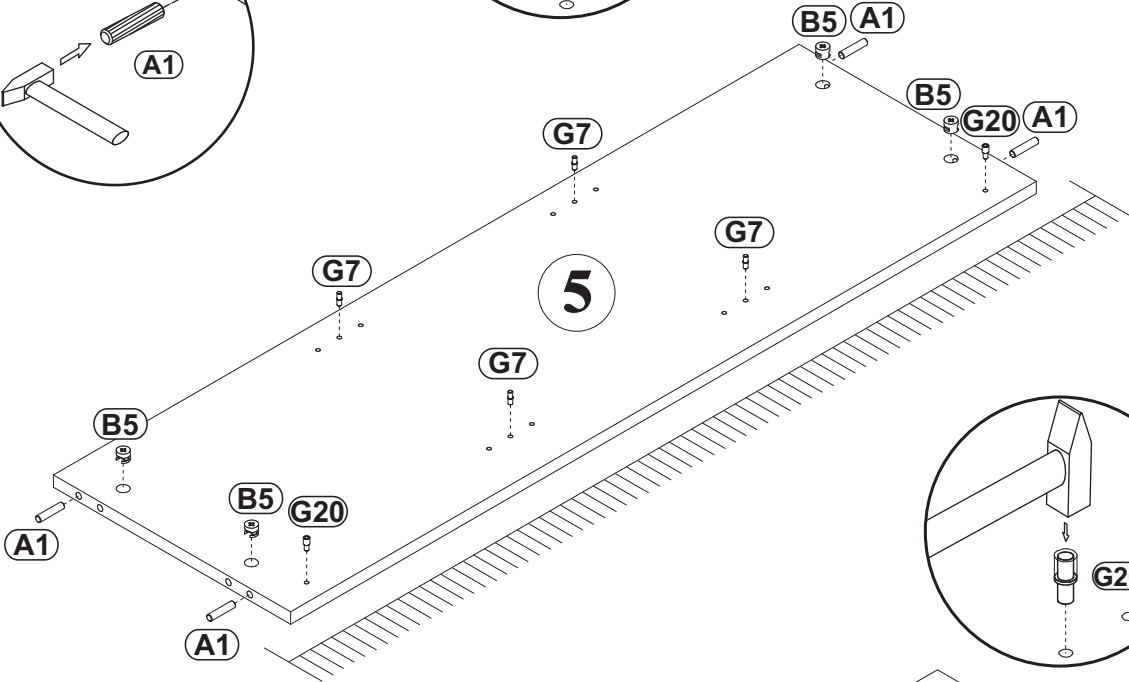
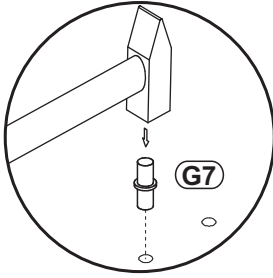
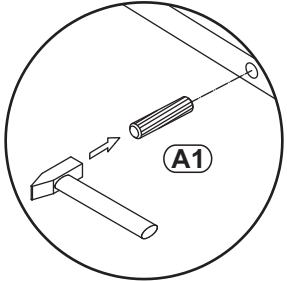
3

G7	
x4	

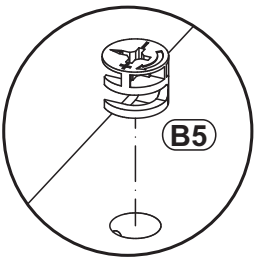
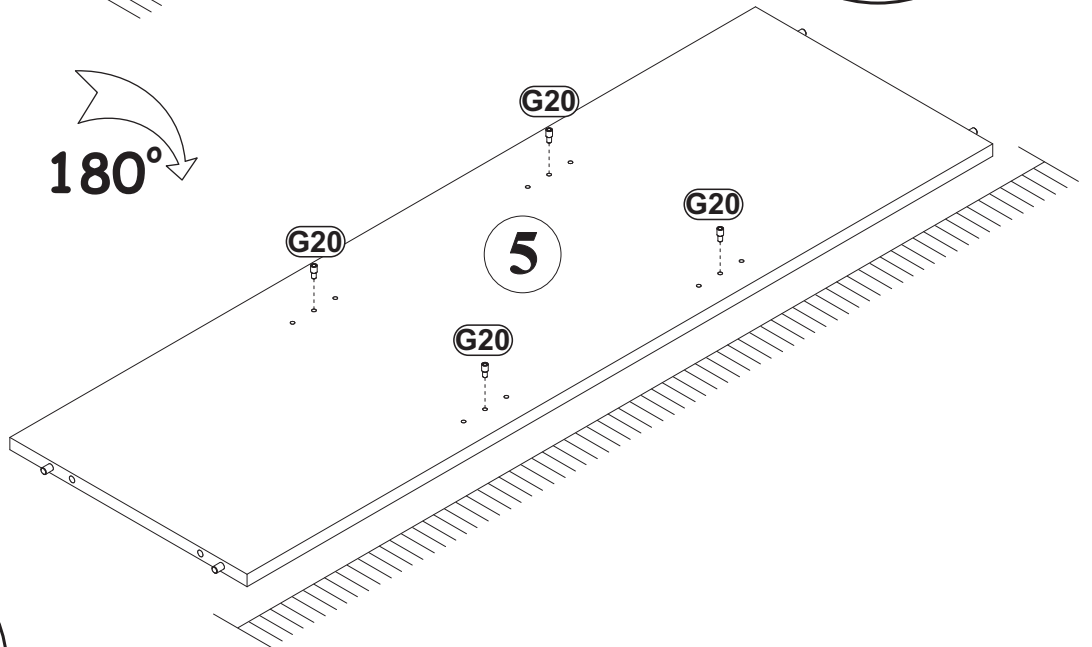
G20	
x6	

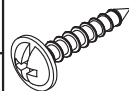
A1	
x4	ø8x36

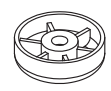
B5	
x4	Ø15x12

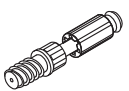


180°

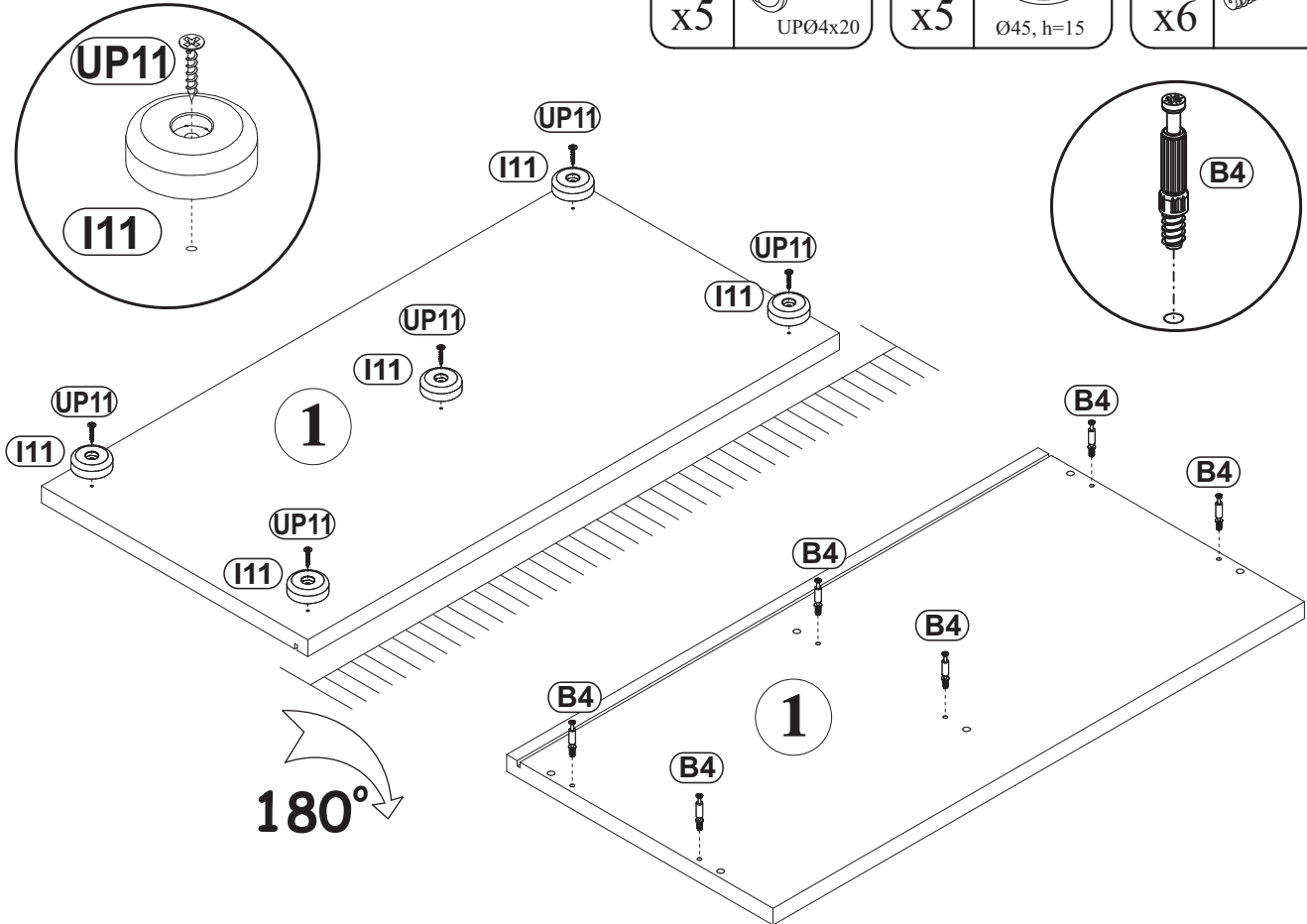


UP11	
x5	UPØ4x20


I11	
x5	Ø45, h=15

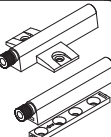
B4	
x6	

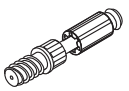
4

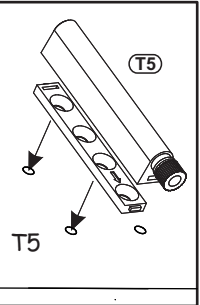
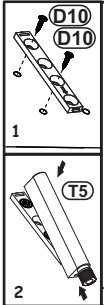
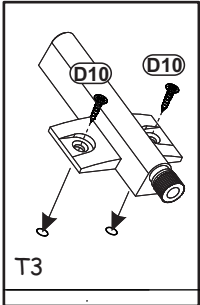
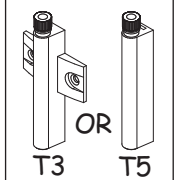
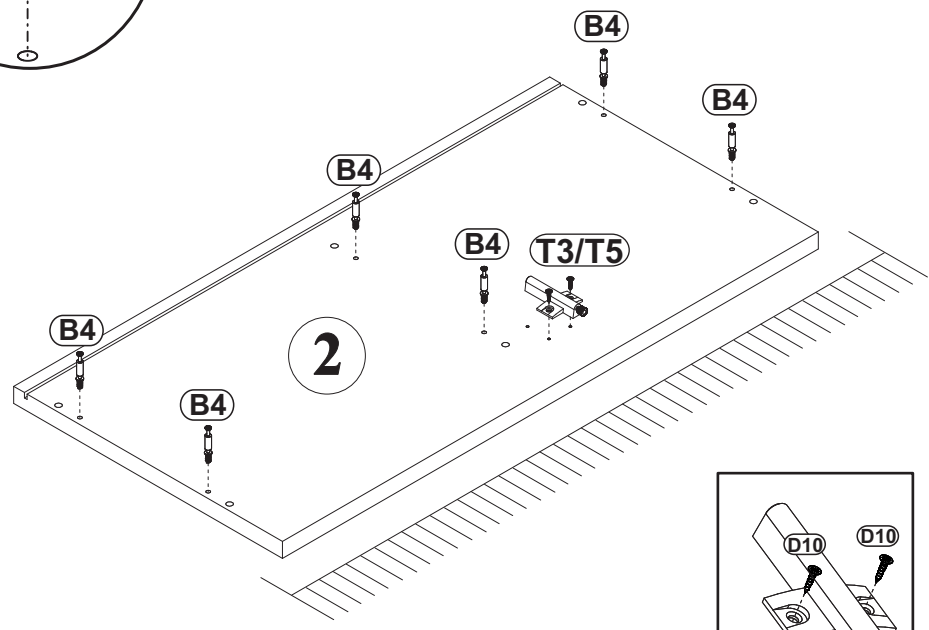
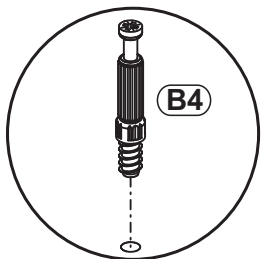


5

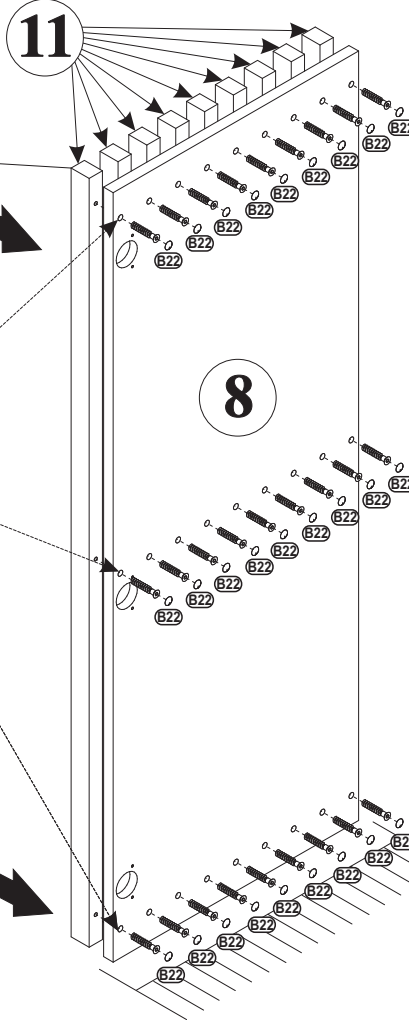
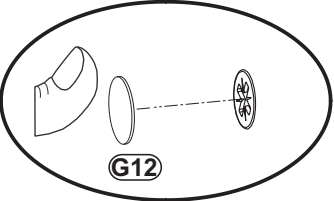
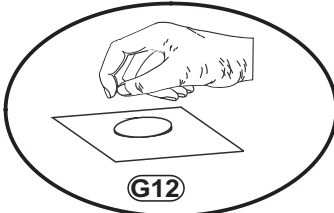
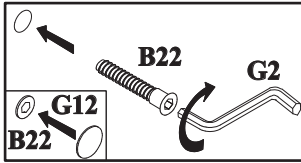
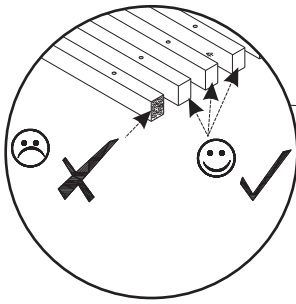
D10	
x2	USØ3,5x13

T3/T5	
x1	

B4	
x6	



6

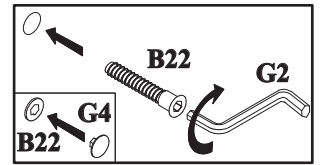
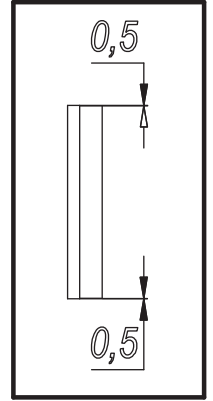


G4	
x24	

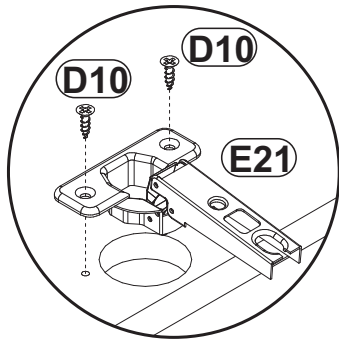
B22	
x27	Ø7x40

G12	
x3	Ø14

G2	
x1	

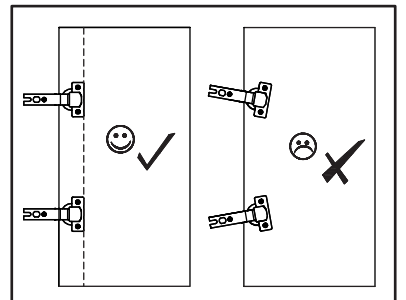
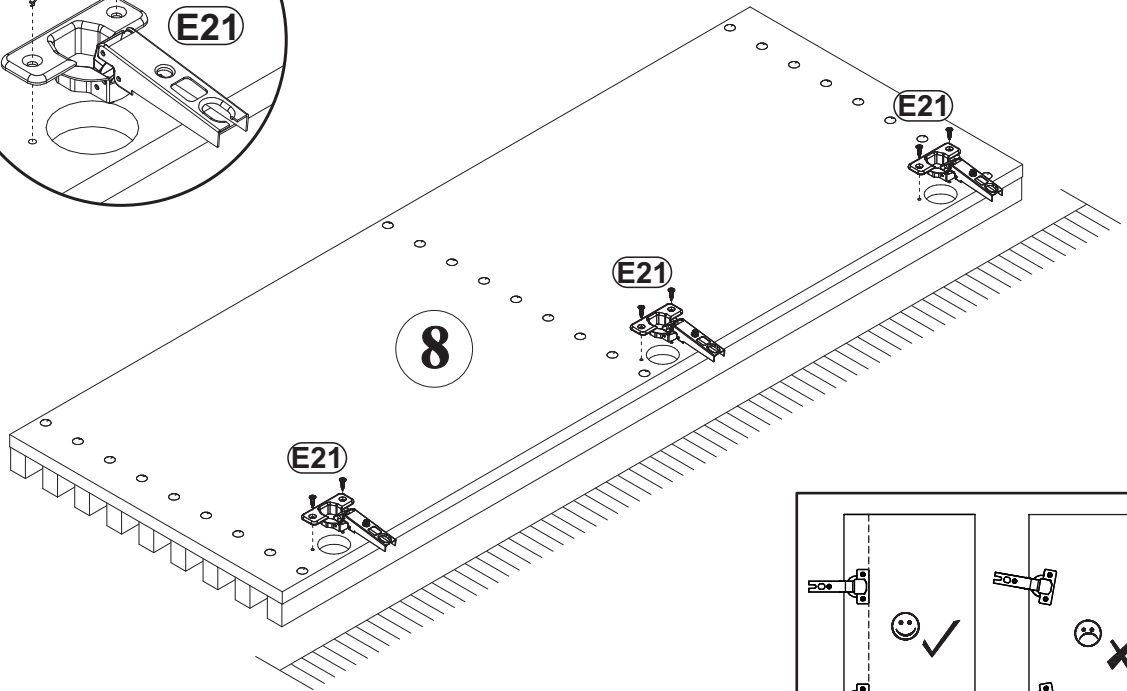



7

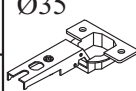


D10	
x6	USØ3,5x13

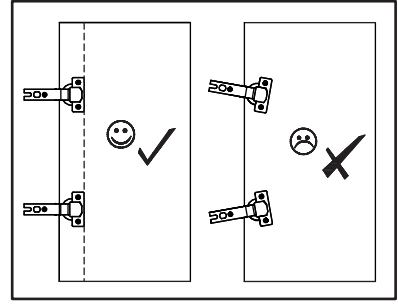
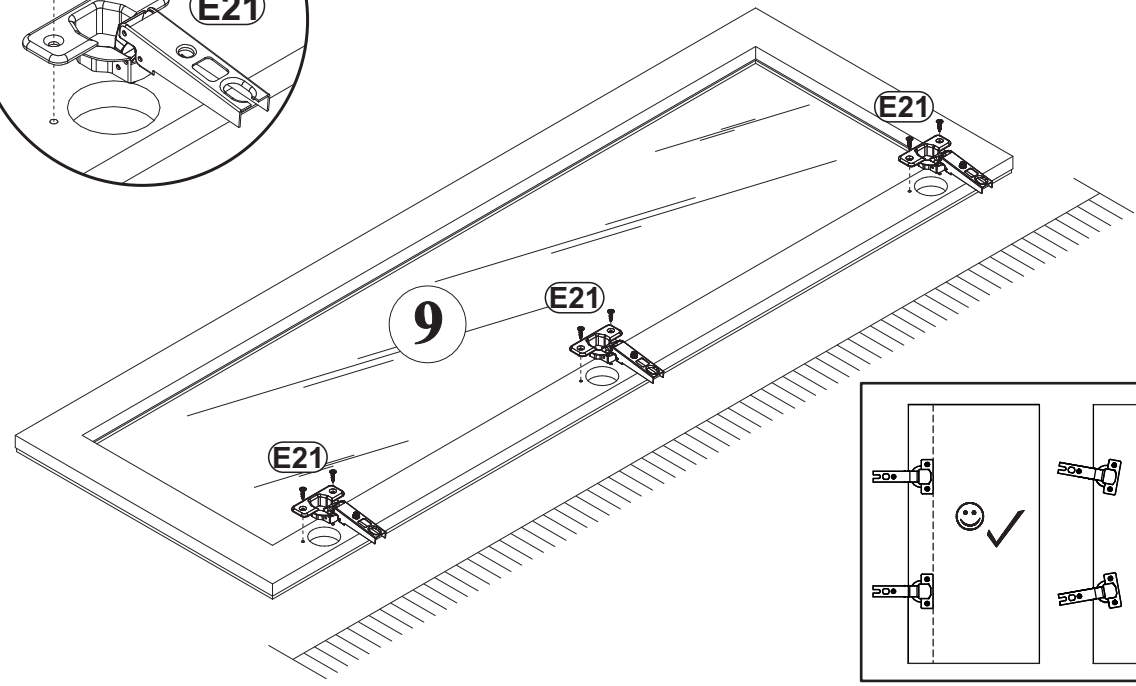
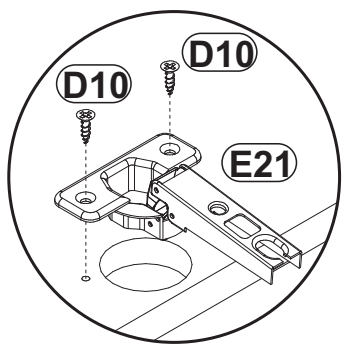
E21	
x3	Ø35 H=0




D10	
x6	USØ3,5x13

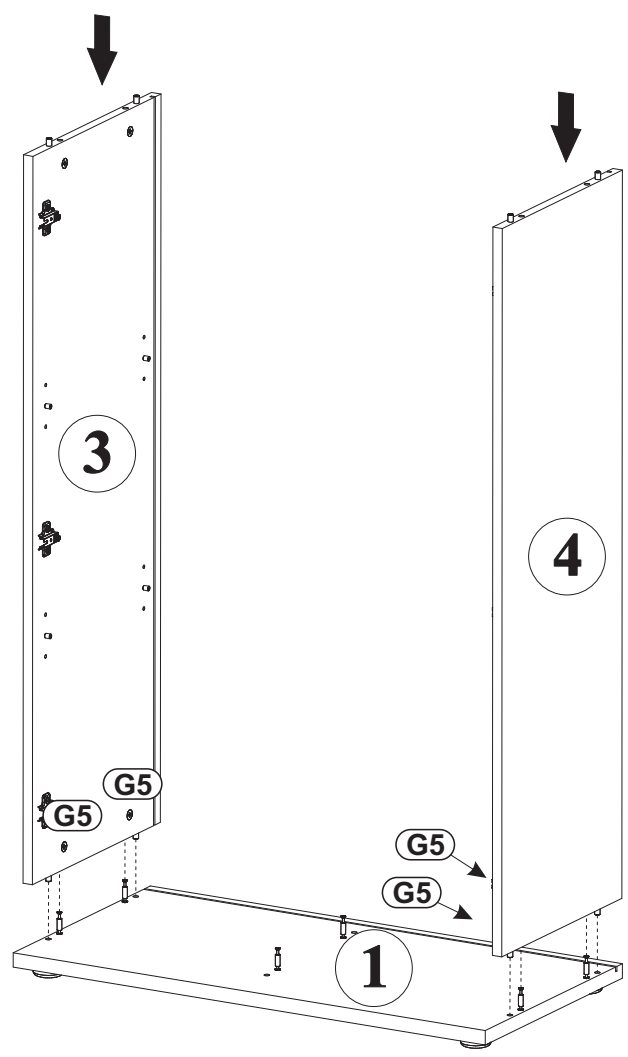
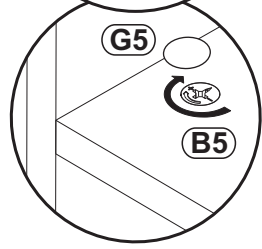
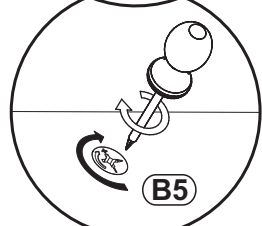
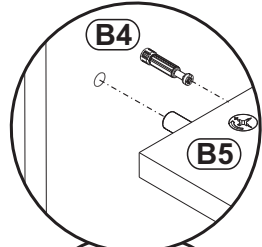
E21	Ø35
x3	
H=0	


8



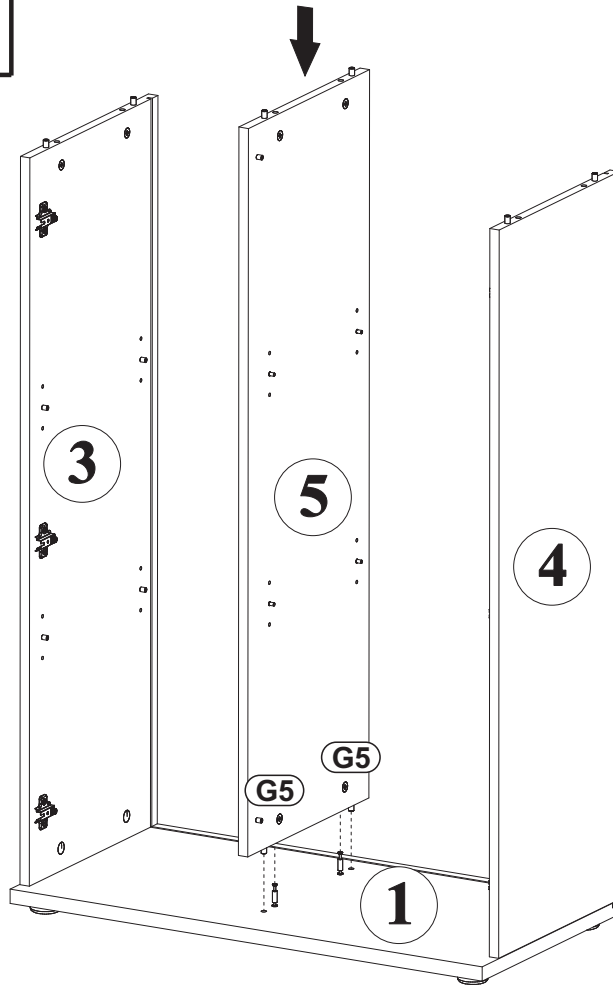
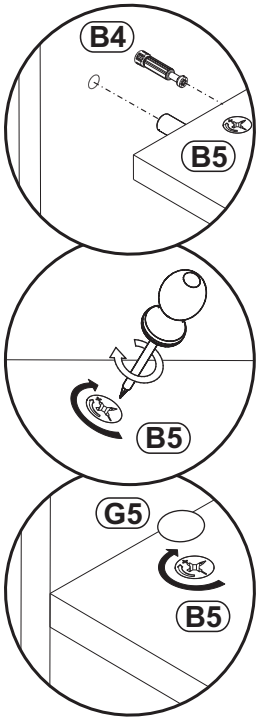
9

G5	
x4	

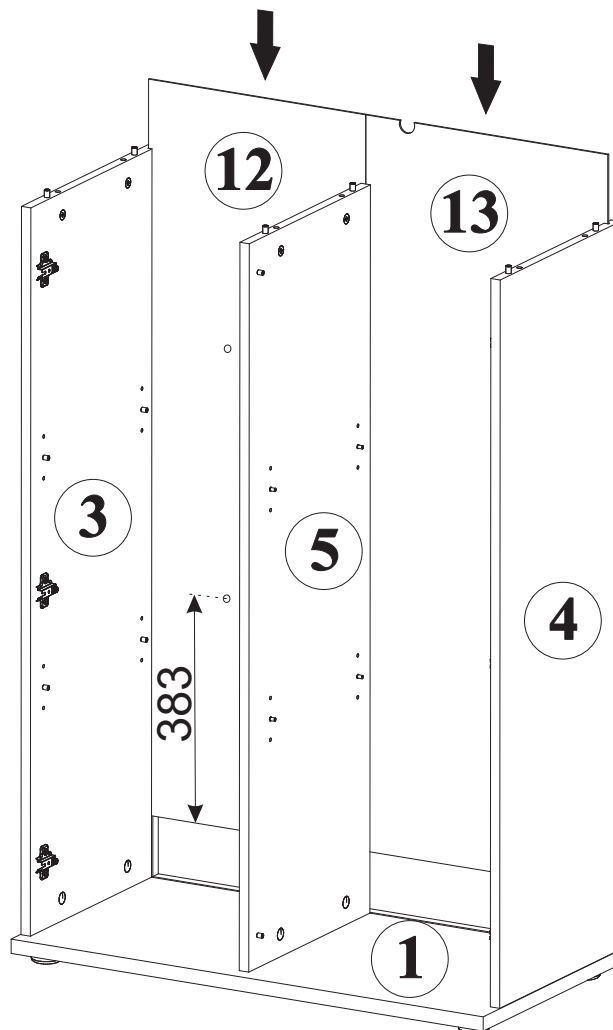


G5	
x2	

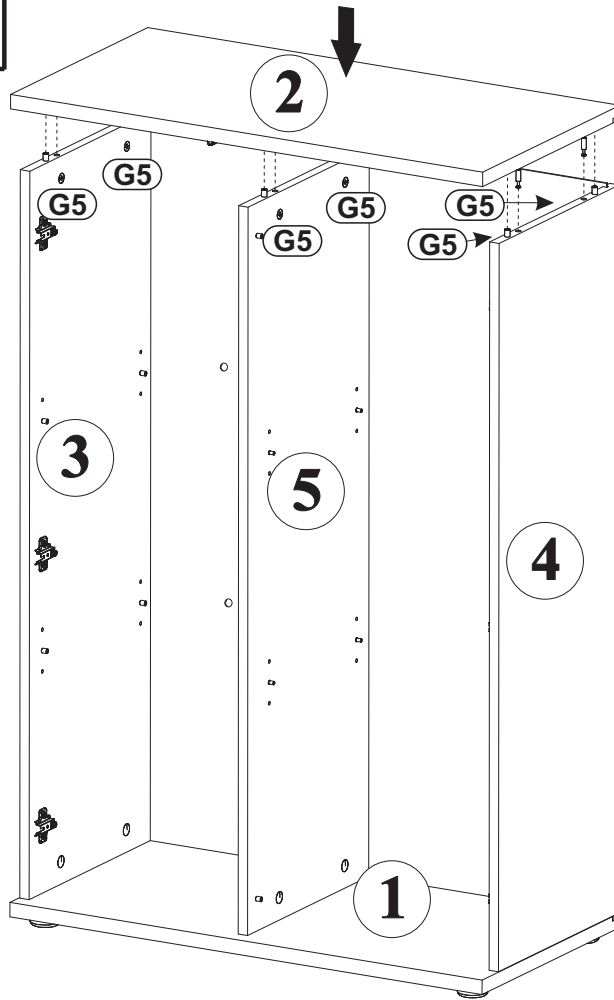
10



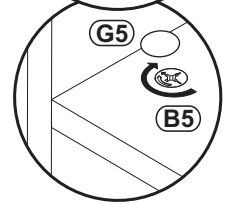
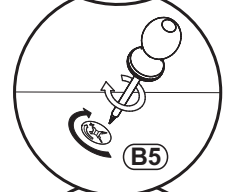
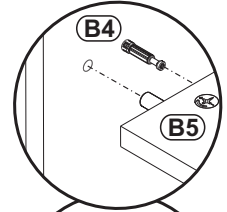
11



12



G5	
x6	



13



$X=Y$ 90°

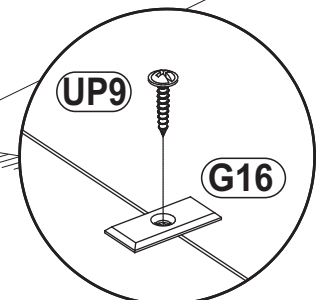
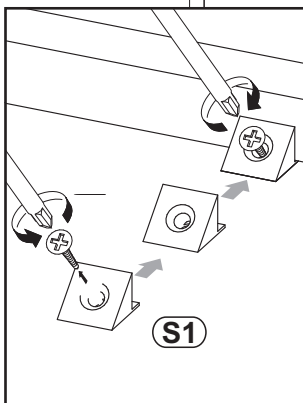
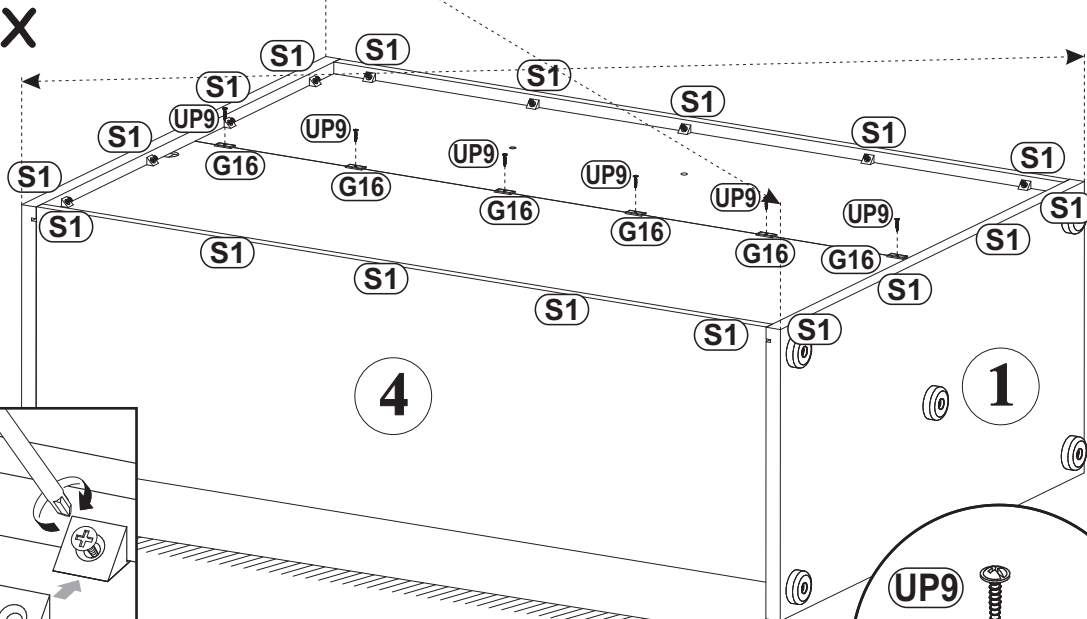
y

X

UP9	
x6	UPØ3,5x16

G16	
x6	

S1	
x18	



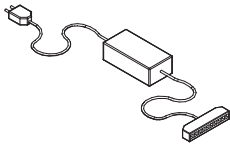
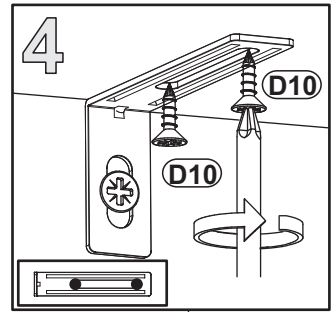
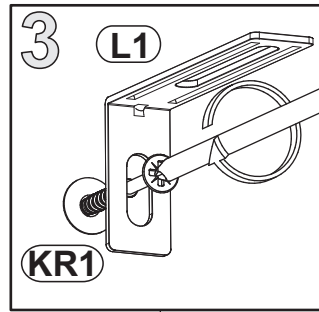
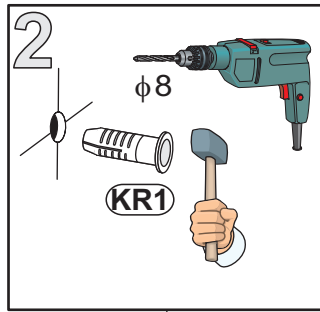
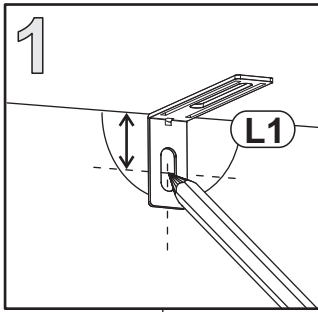
14

LED	
x1	1x2

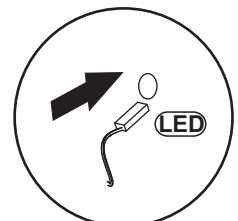
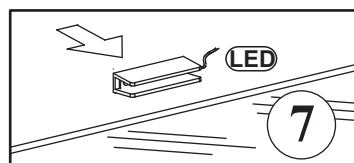
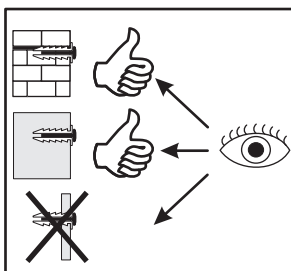
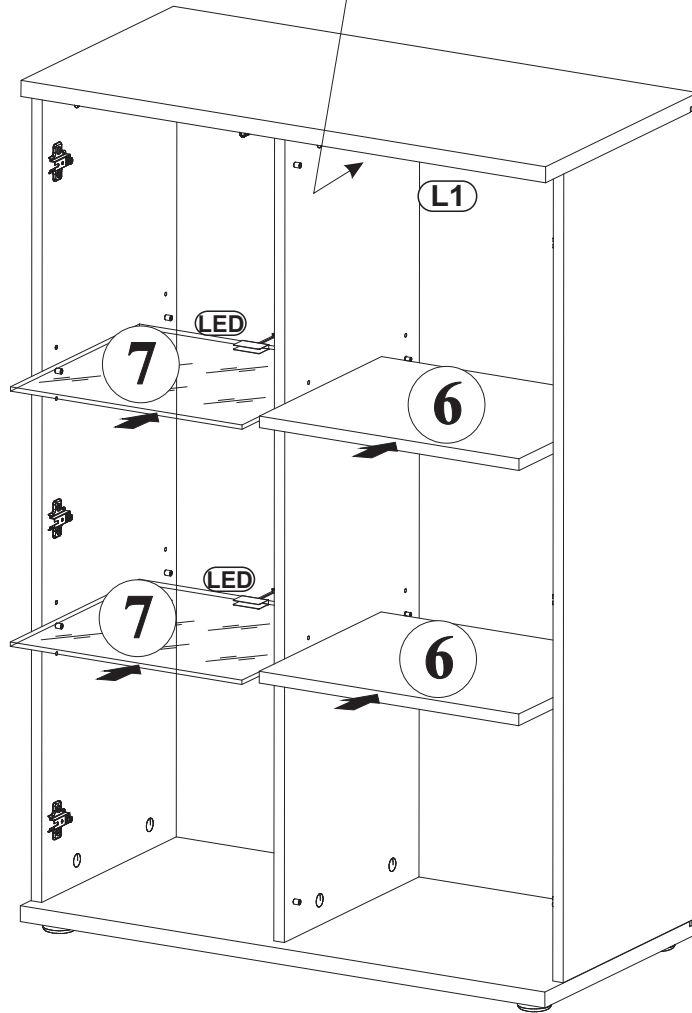
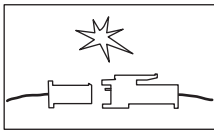
D10	
x2	USØ3,5x13

KR1	
x1	Ø8

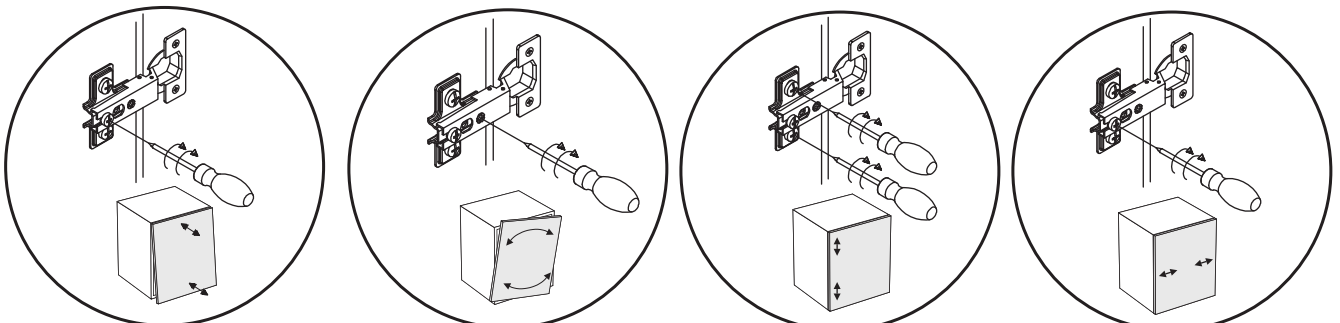
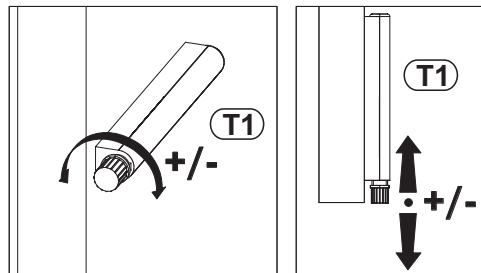
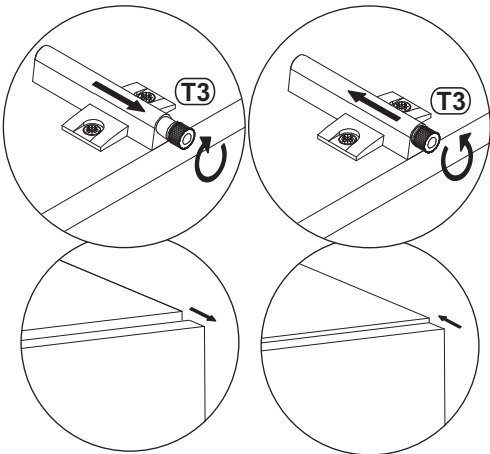
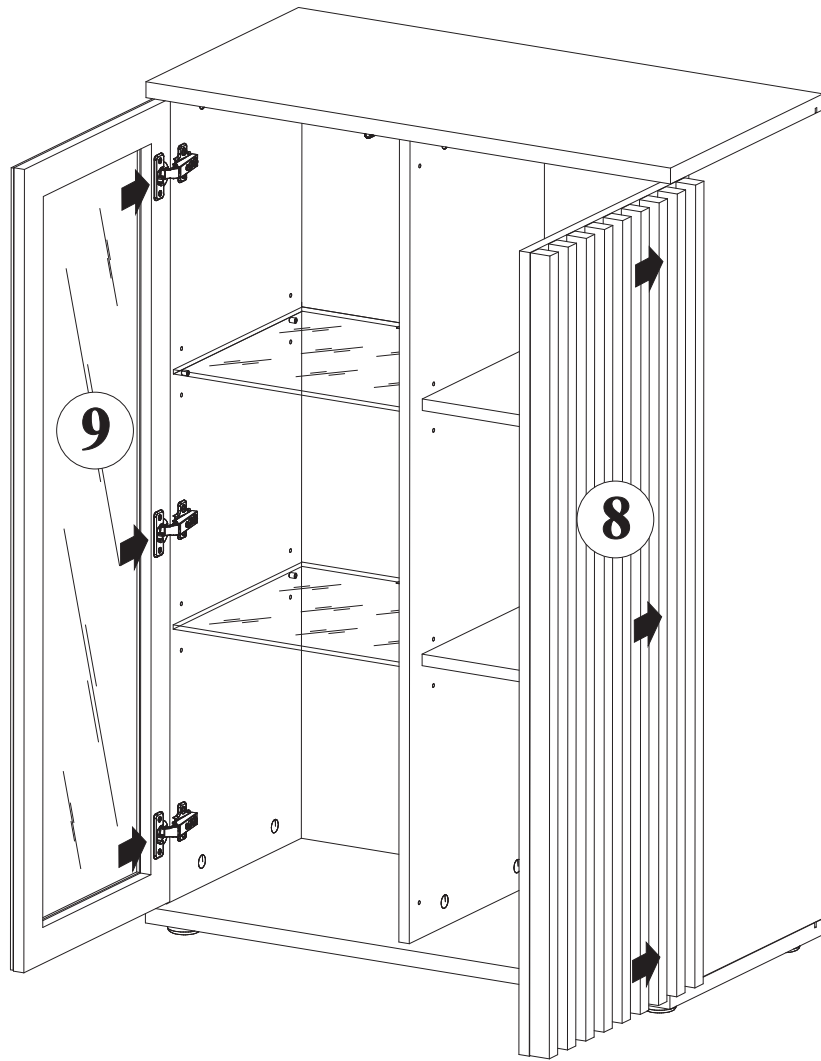
L1	
x1	



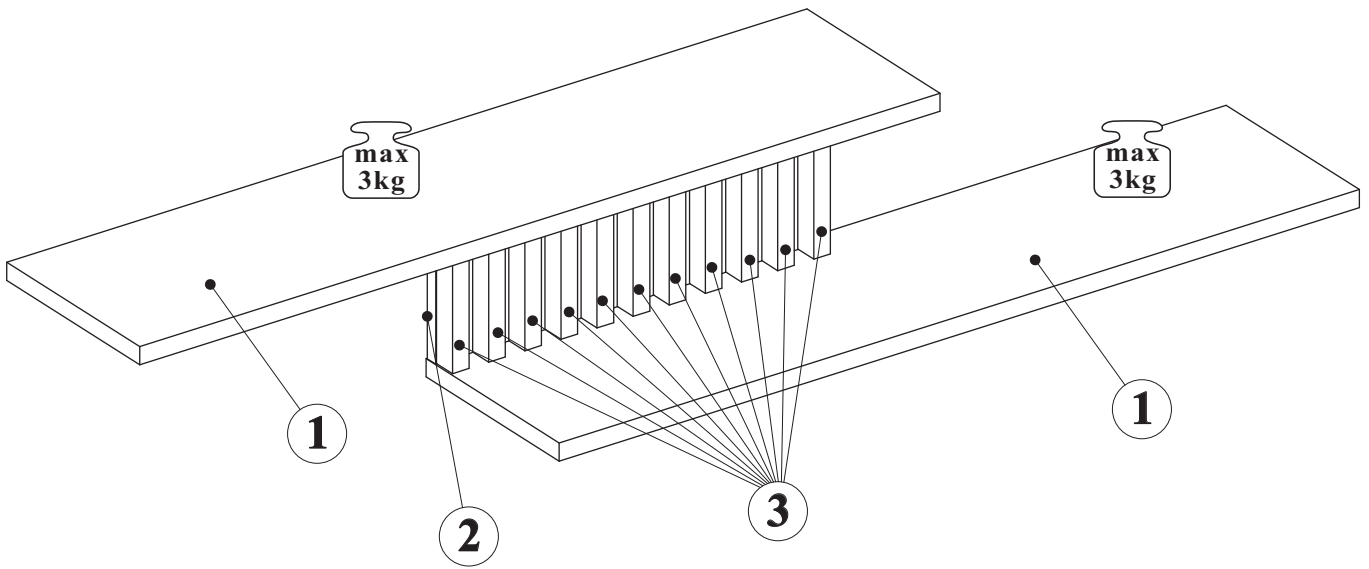
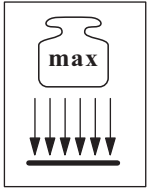
LED



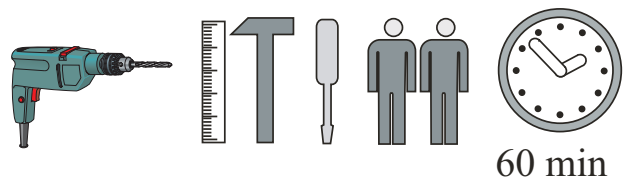
15



CAMERON PANEL PW

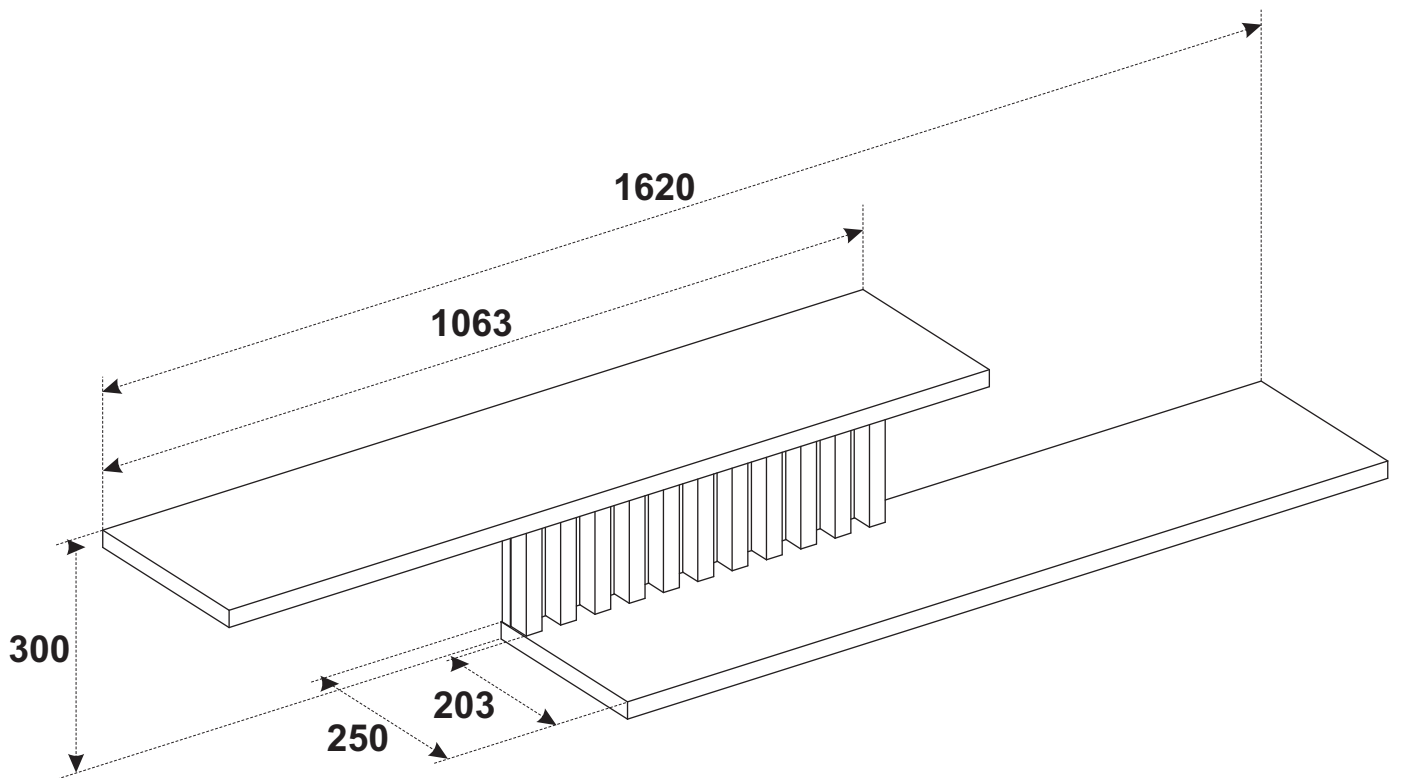


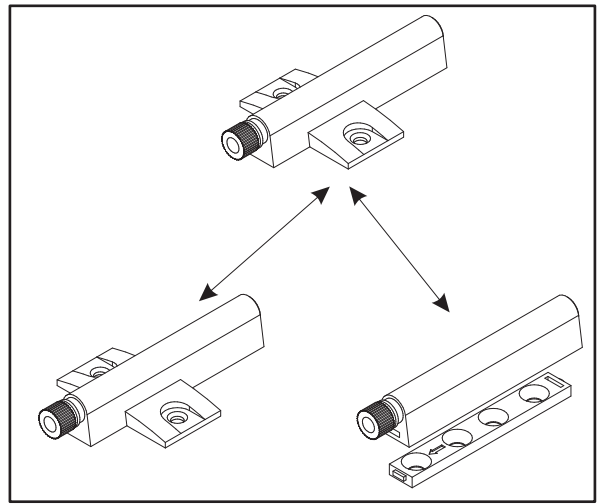
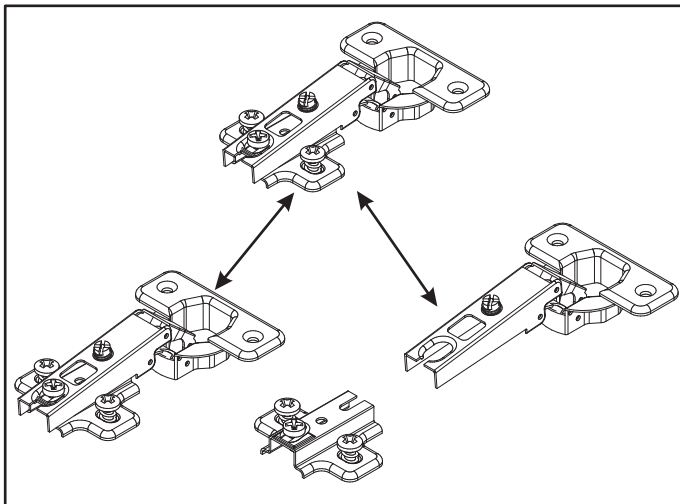
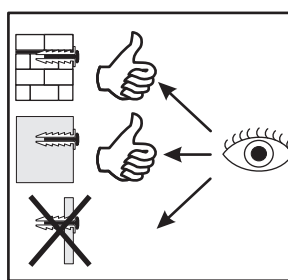
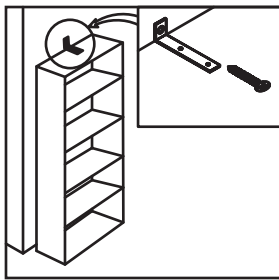
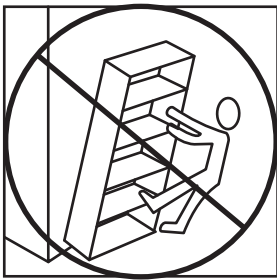
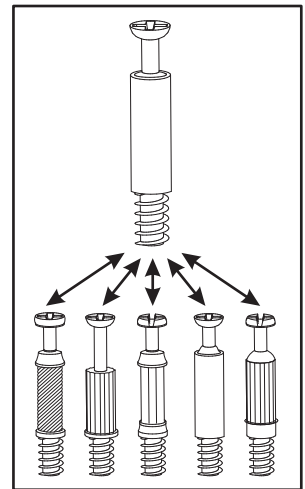
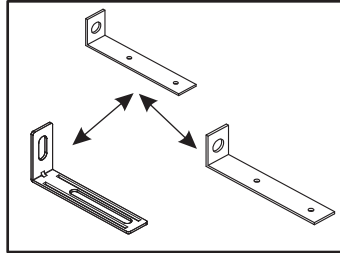
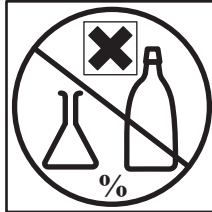
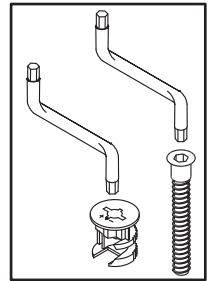
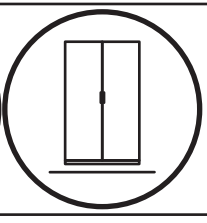
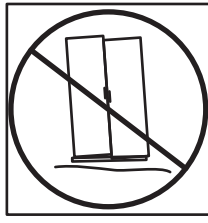
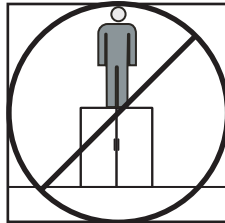
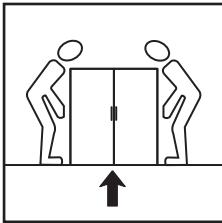
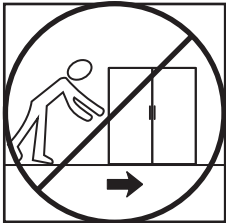
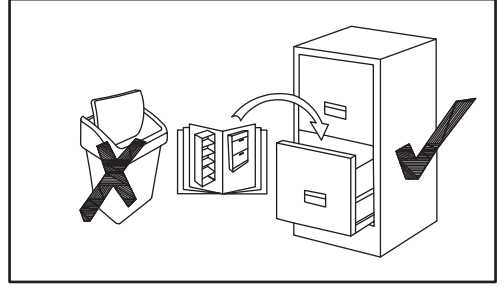
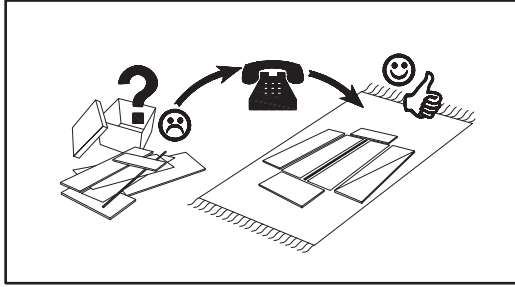
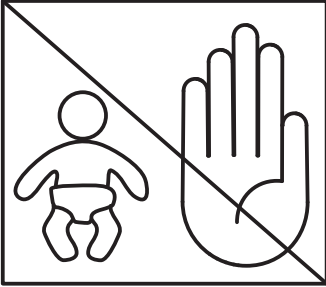
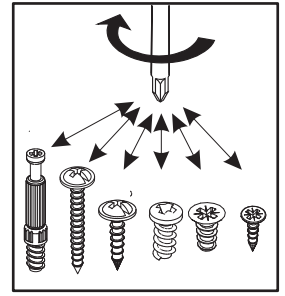
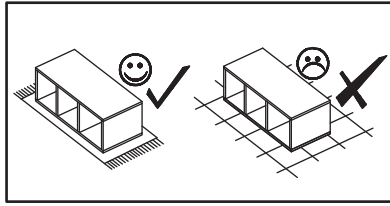
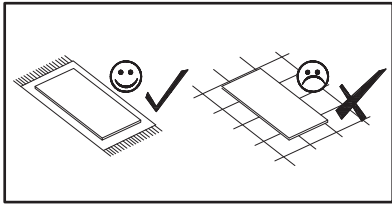
1	1063	250	22	1/1	2
2	504	256	16	1/1	1
3	255	30	22	1/1	11



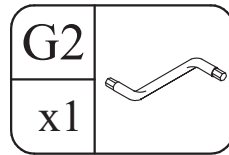
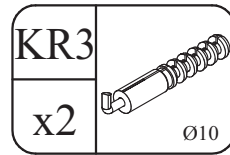
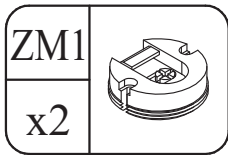
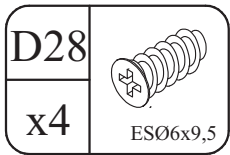
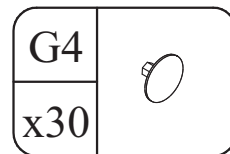
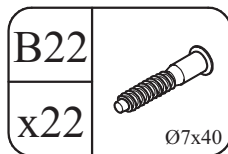
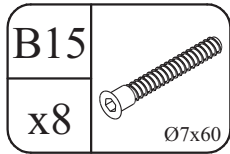
60 min

CAMERON PANEL PW




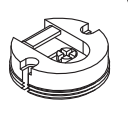


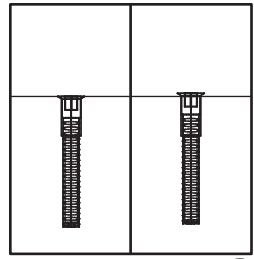
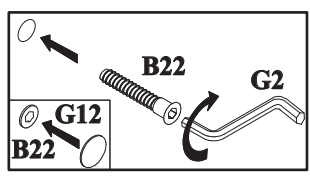
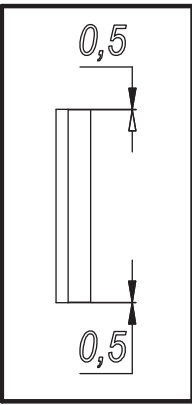
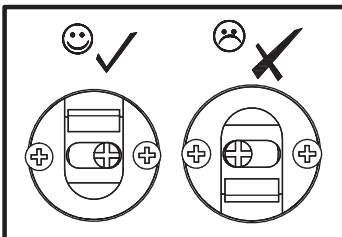
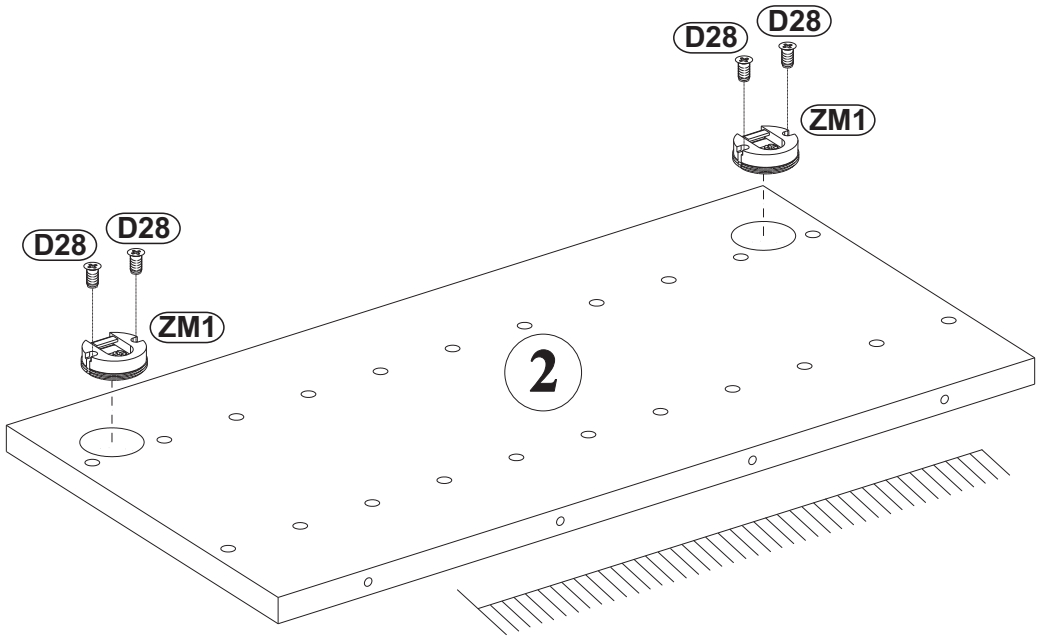
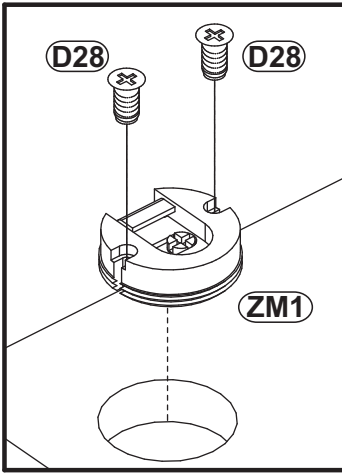
CAMERON PW






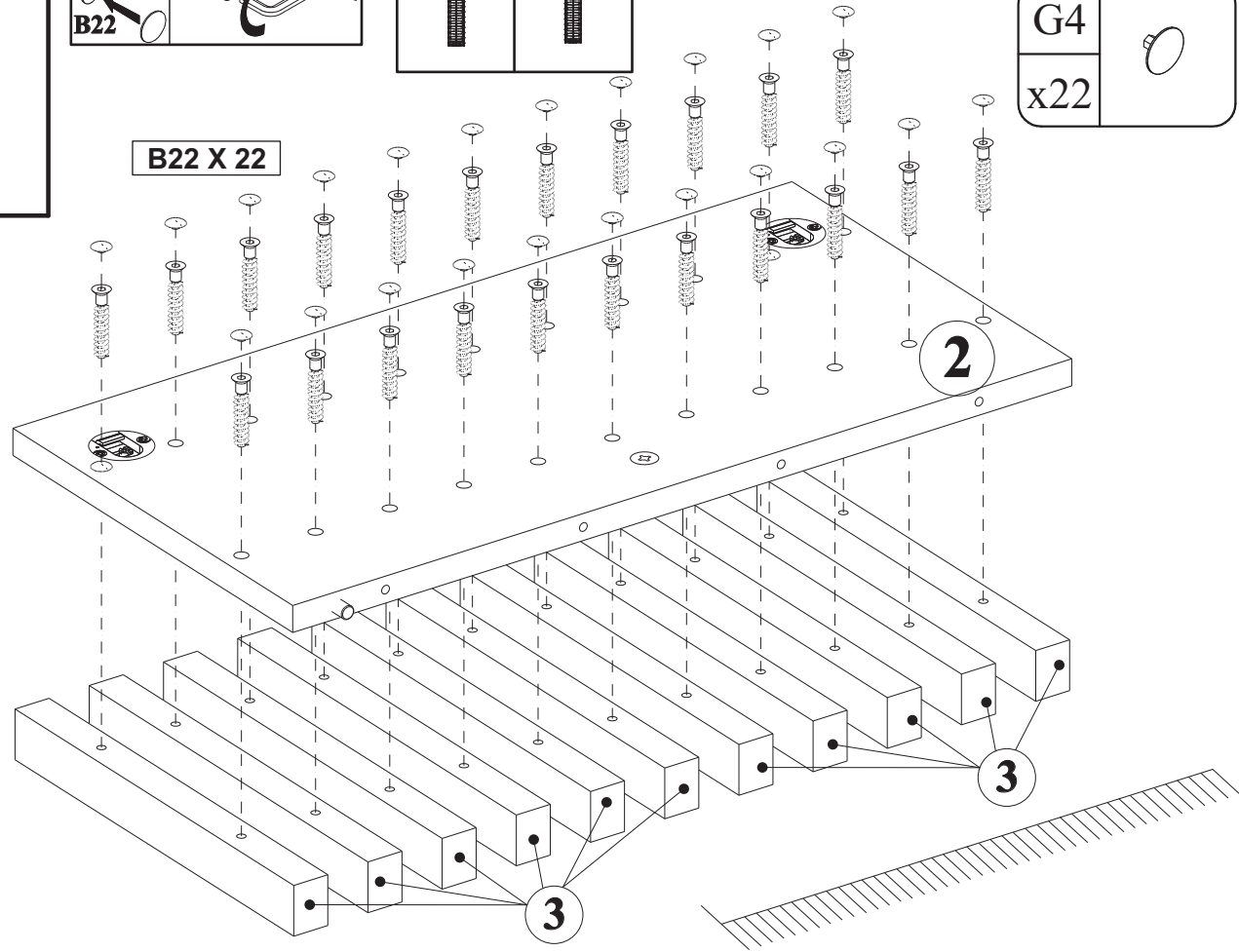
CAMERON PW

1

D28		ZM1	
x4	ESØ6x9,5	x2	

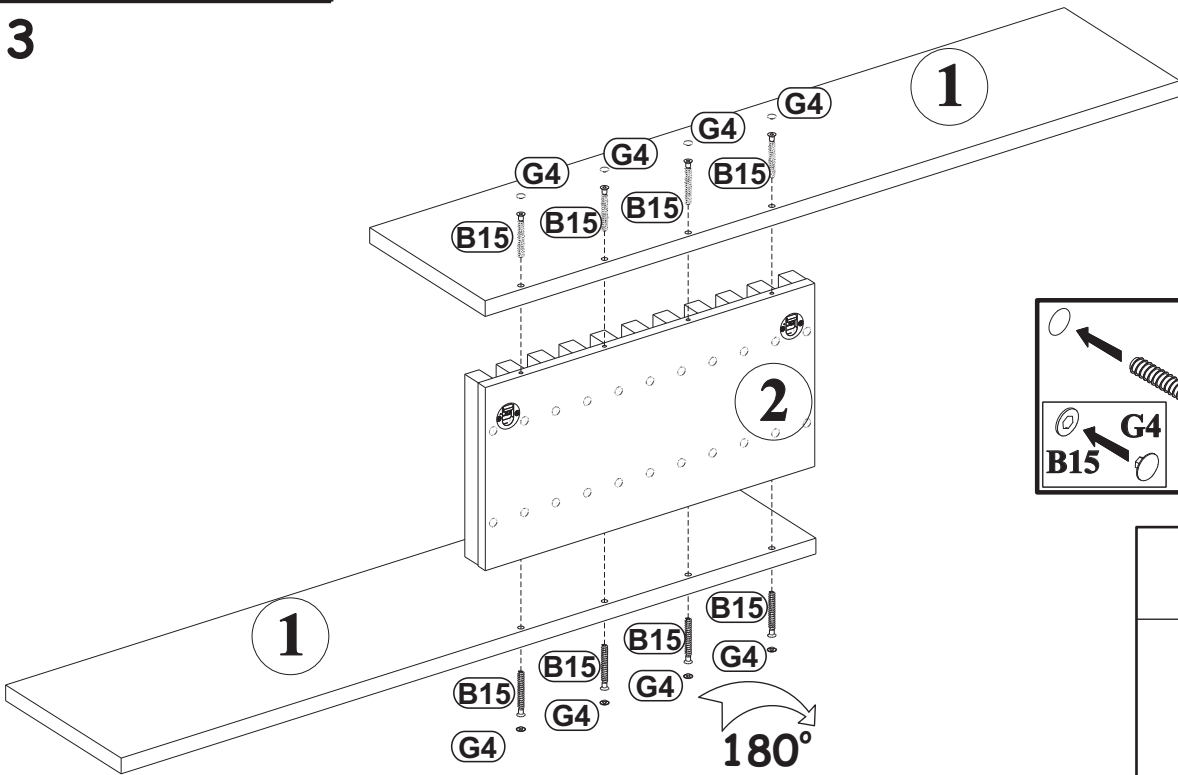


G2		B22	
x1		x22	Ø7x40
G4			
		x22	



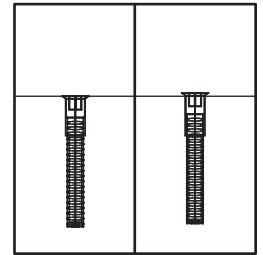
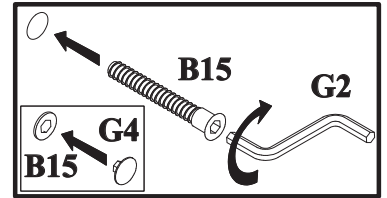
CAMERON PW

3

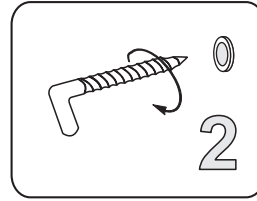
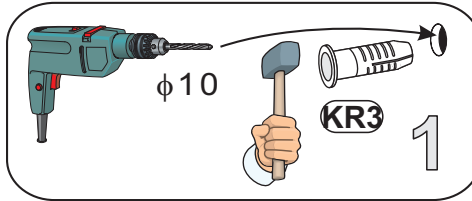
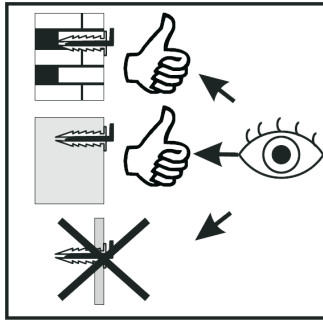


B15	
x8	Ø7x60

G4	
x8	



4



KR3	
x2	Ø10

