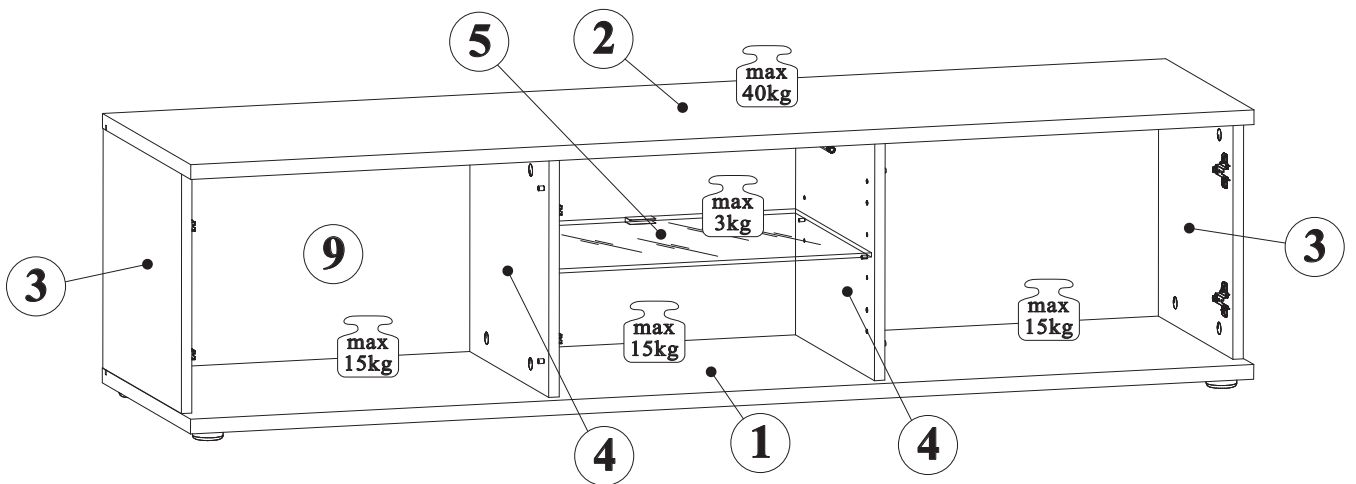
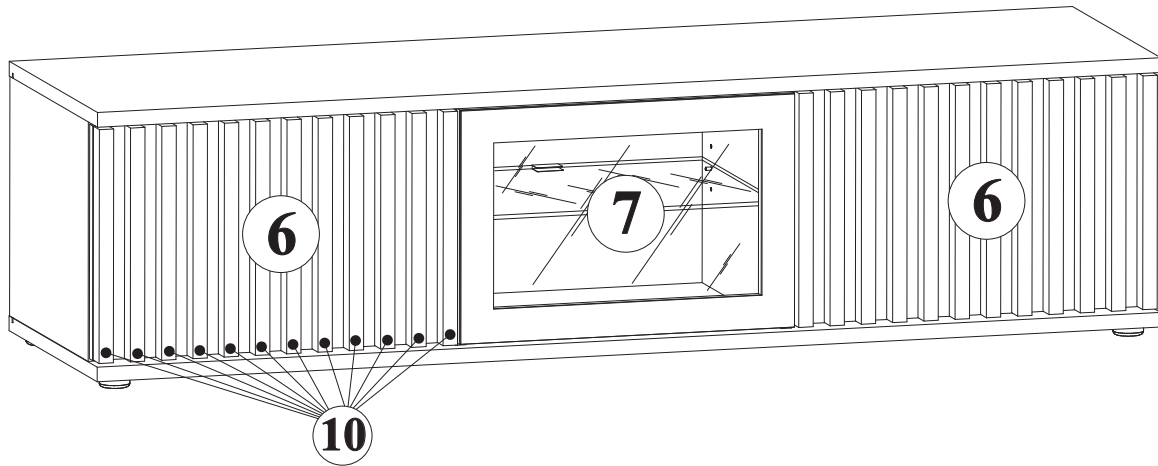
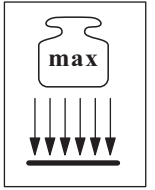
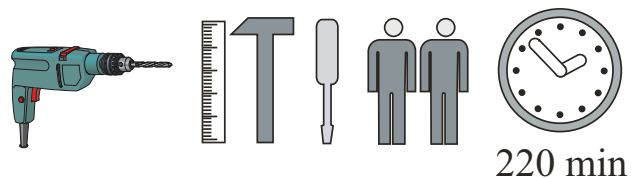


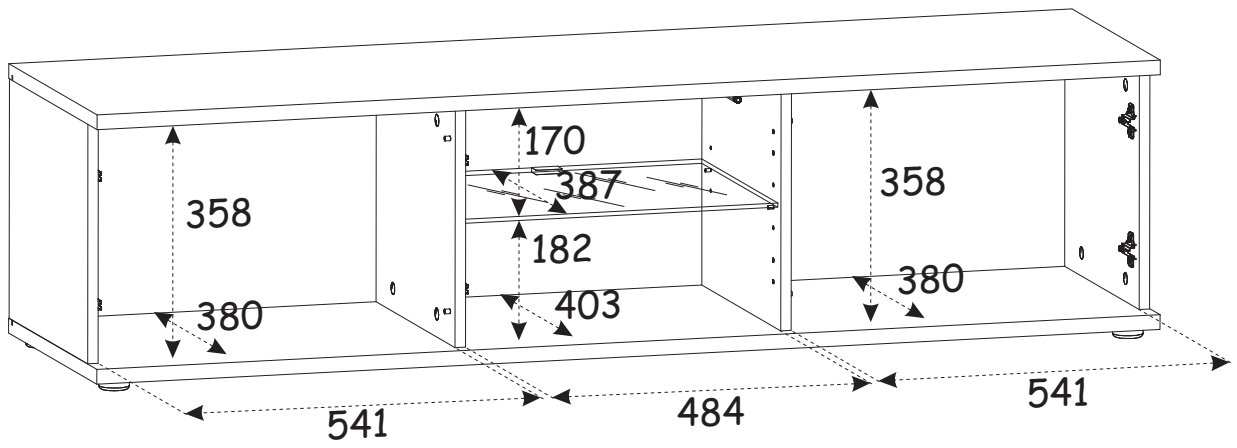
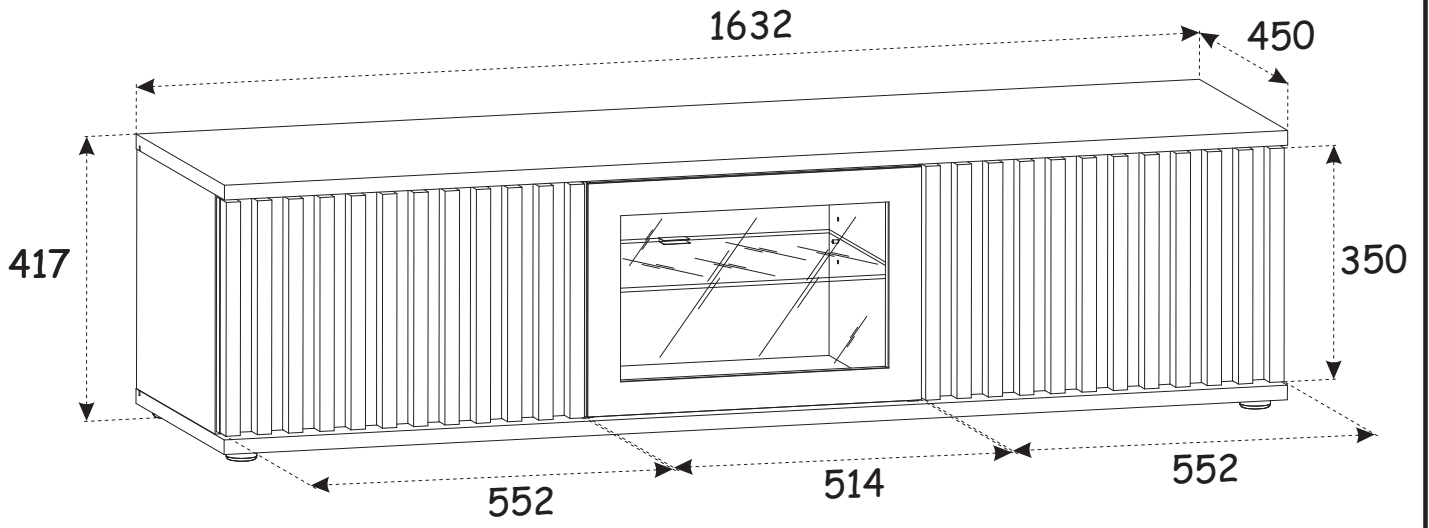
CAMERON ___ CM RTV

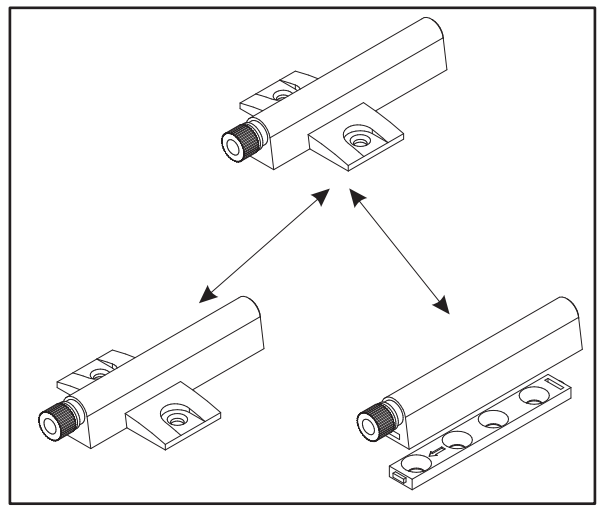
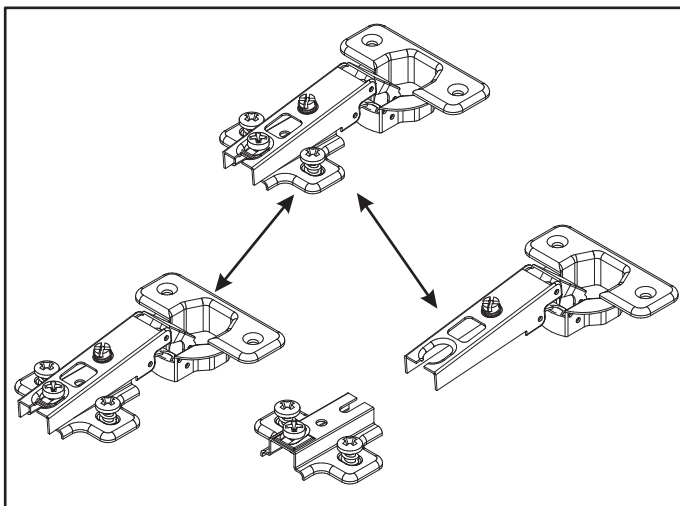
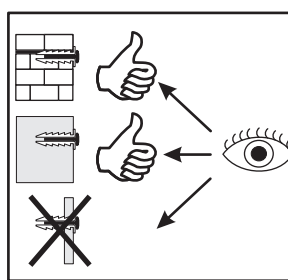
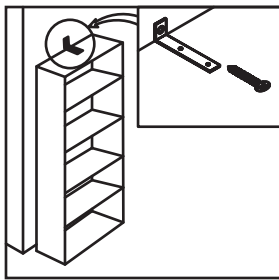
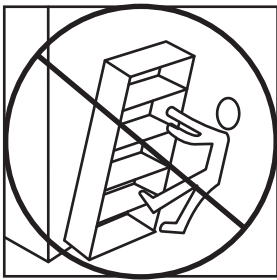
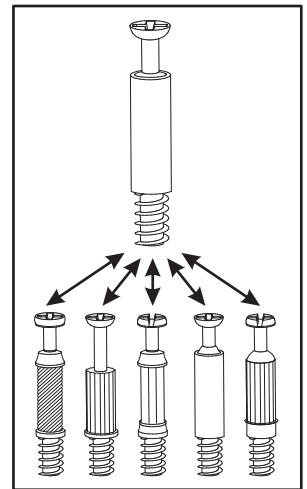
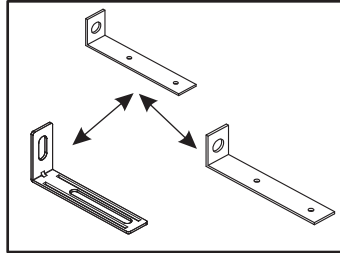
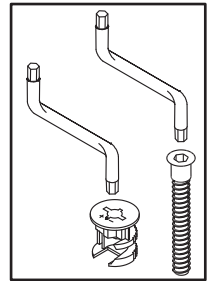
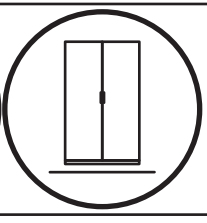
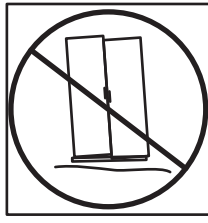
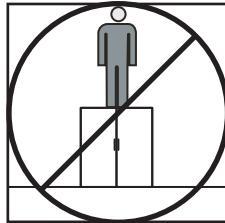
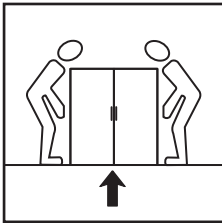
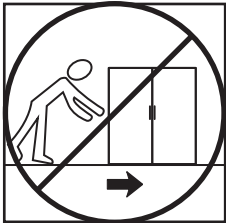
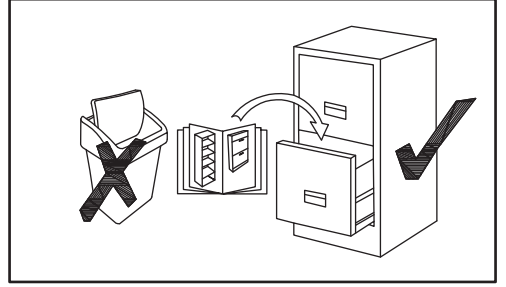
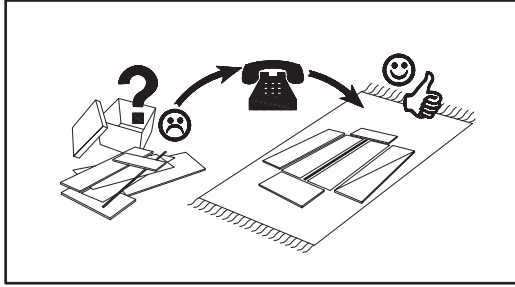
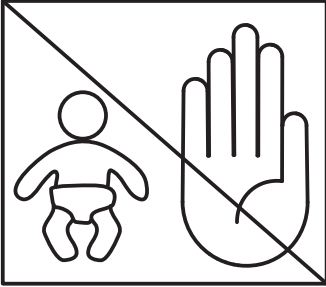
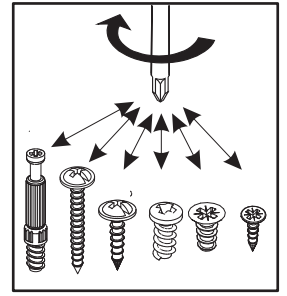
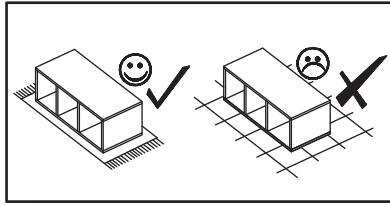
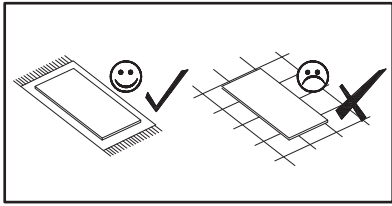


NO	Dim (mm)			Col.-No	Qty
1	1632	450	22	2/2	1
2	1632	450	22	2/2	1
3	358	400	16	1/2	2
4	358	403	16	1/2	2
5	483	387	6	1/2	1
6	350	552	16	1/2	2
7	350	514	16	1/2	1
9	1610	370	3	2/2	1
10	349	30	22	1/2	24



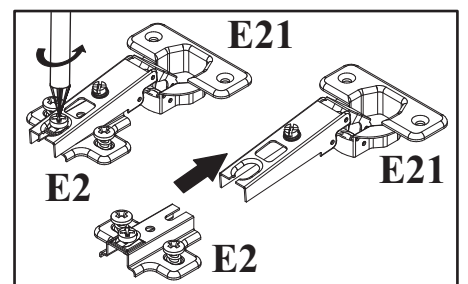
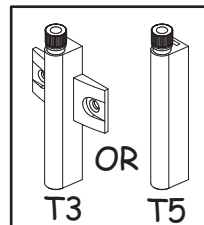
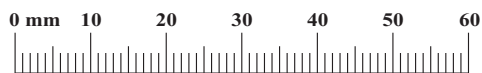
220 min

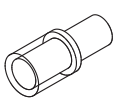


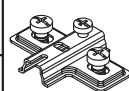


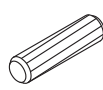
CAMERON ___ CM RTV


A1 x16 ø8x36		B22 x48 Ø7x40		G4 x44		B4 x16		B5 x16 Ø15x12		G5 x16	
E21 x6 Ø35 H=0		E2 x6 H=0		T3/T5 x1		LED x1 1x1		S1 x14		Z2 x4 Ø5	
UP9 x4 UPØ3,5x16		G20 x8		I11 x6 Ø45, h=15		UP11 x6 UPØ4x20		D10 x18 USØ3,5x13		KR1 x2 Ø8	
L1 x2		G2 x1		G12 x4 Ø14							



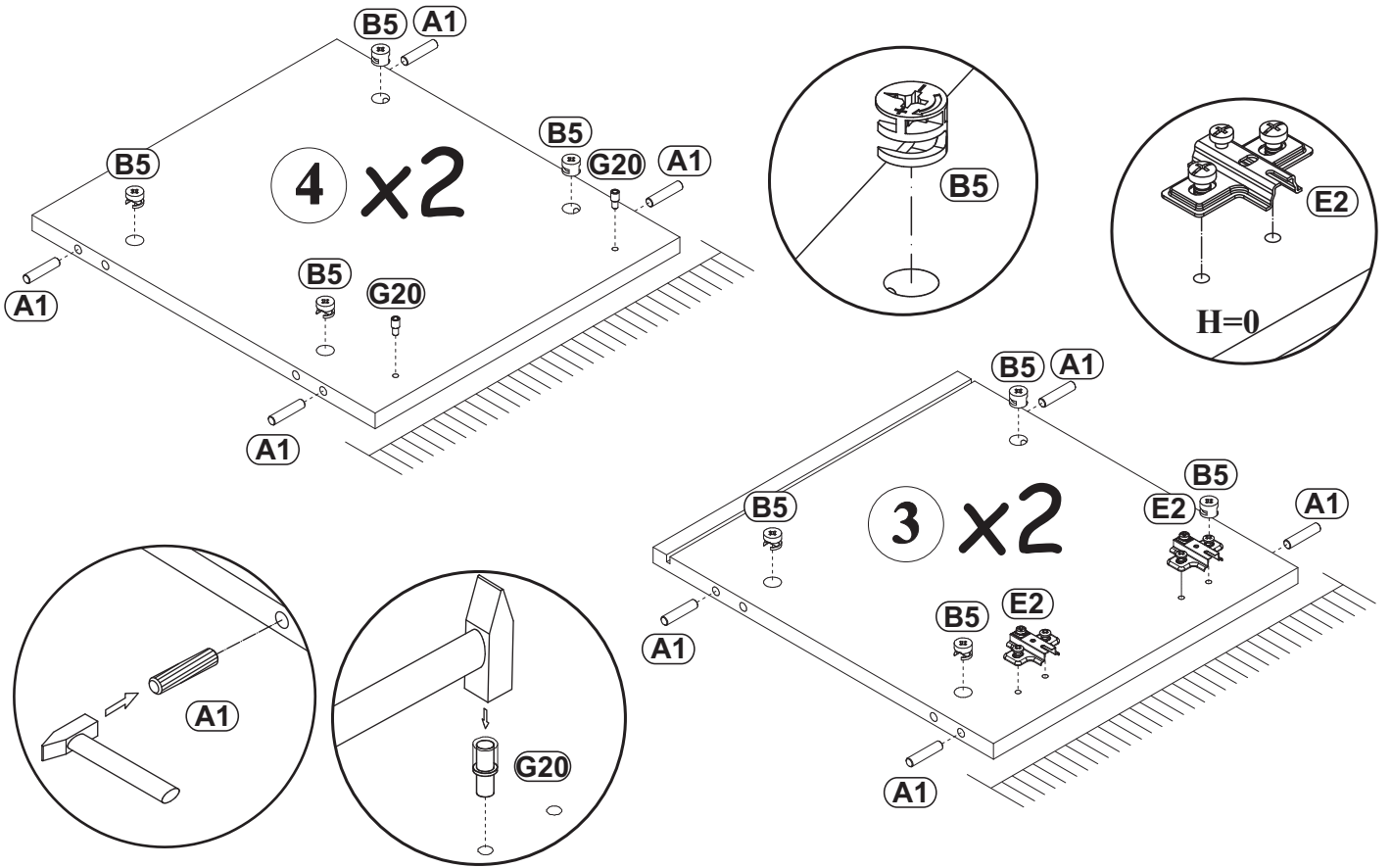
G20	
x4	

E2	
x4	H=0

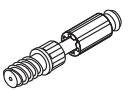
A1	
x16	ø8x36

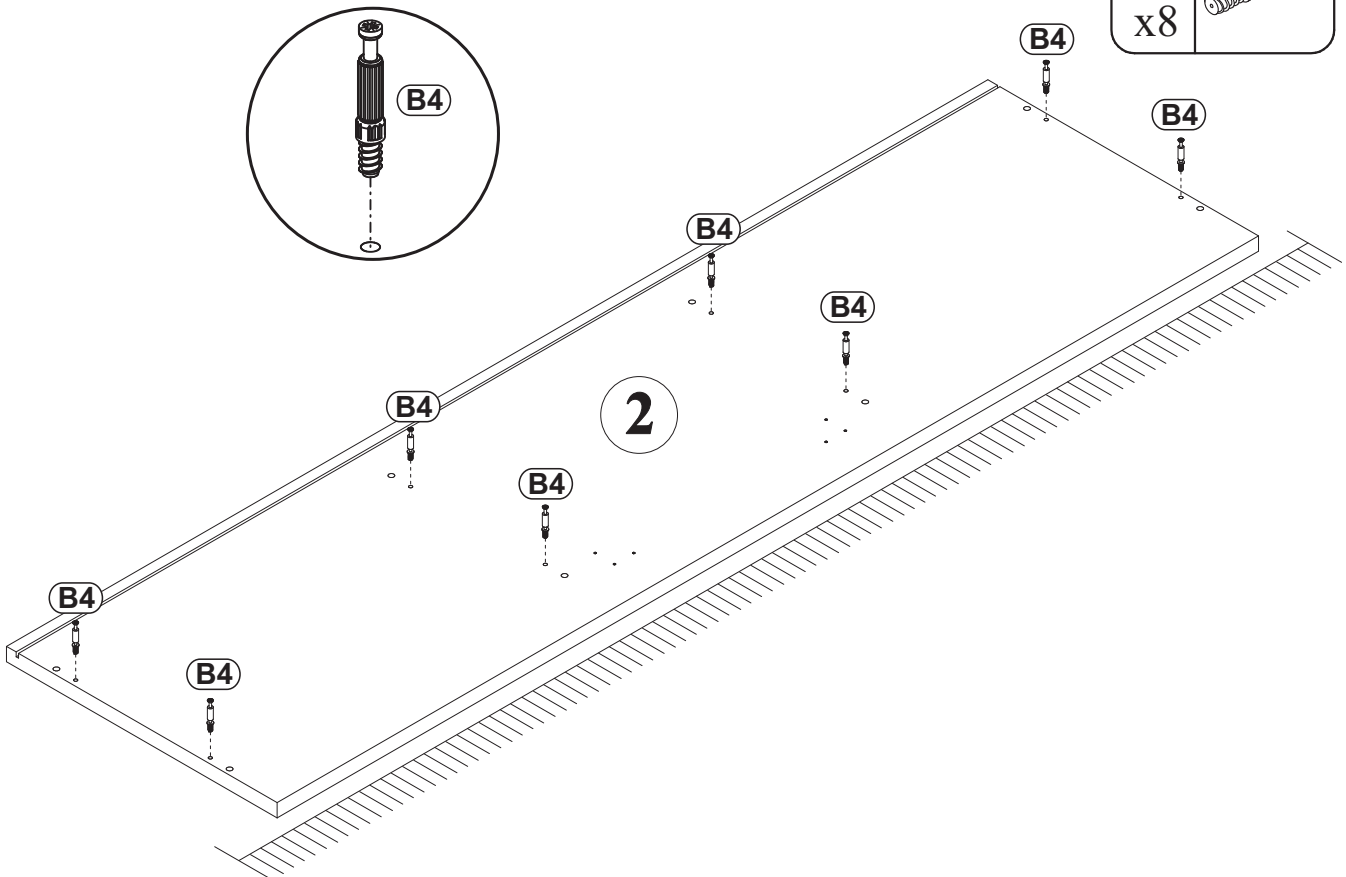
B5	
x16	Ø15x12


1

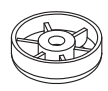


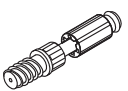
2

B4	
x8	

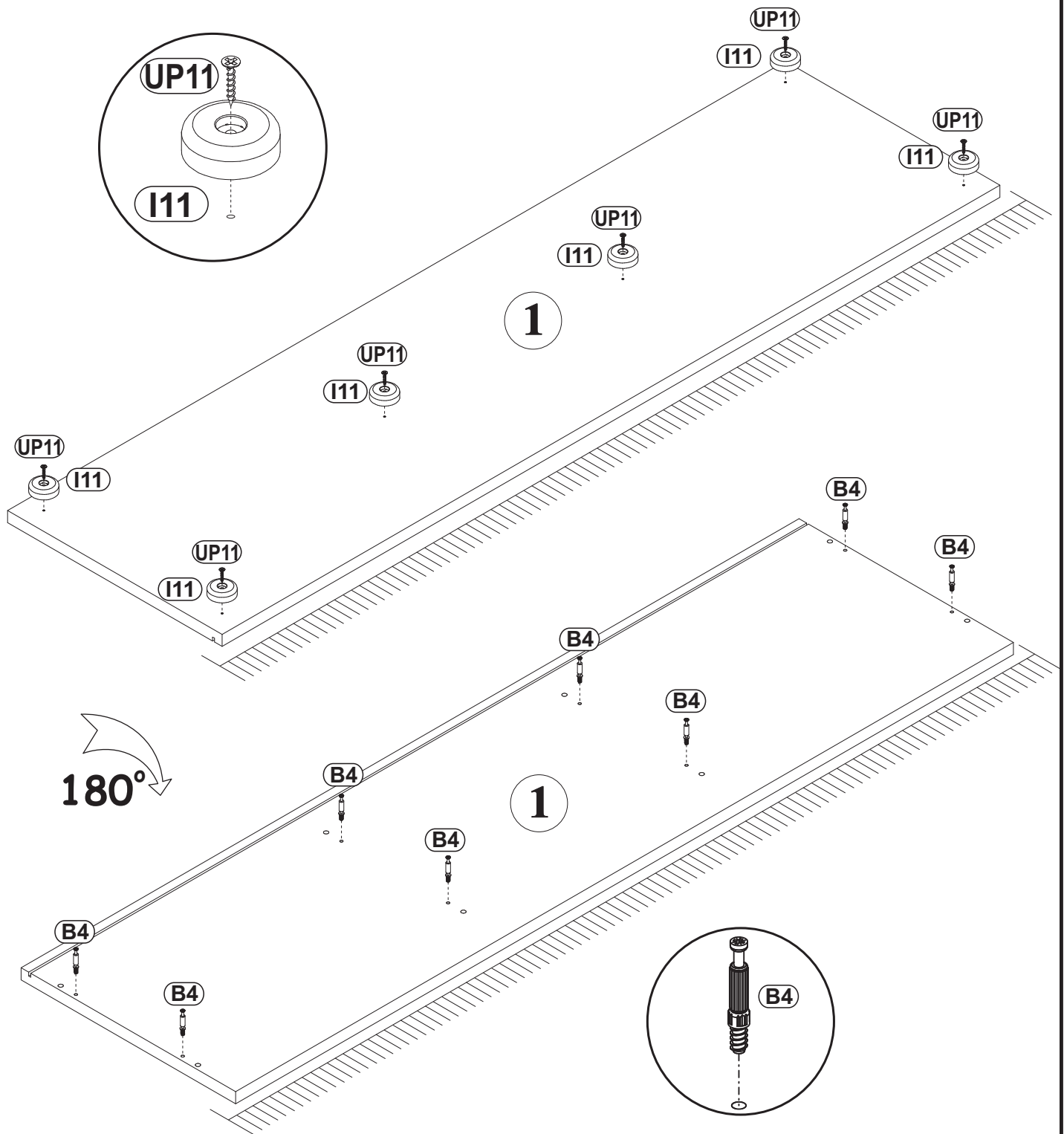


UP11	
x6	UPØ4x20

I11	
x6	Ø45, h=15

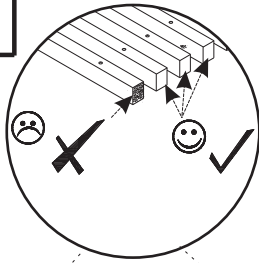
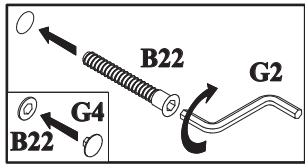
B4	
x8	

3



CAMERON ___ CM RTV

4

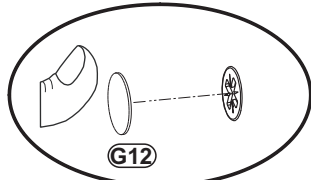
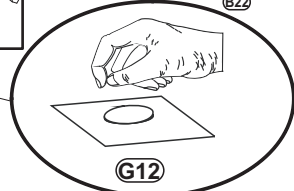
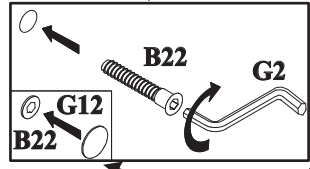
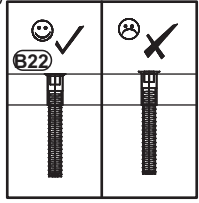
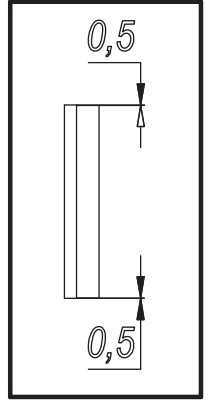
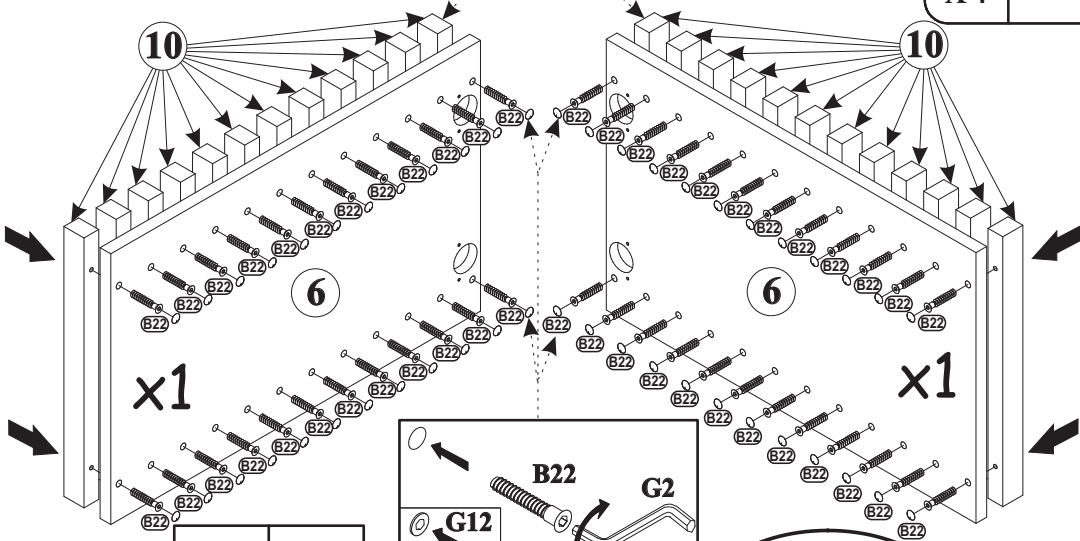


G4	
x44	

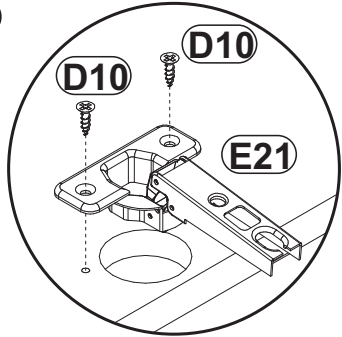
B22	
x48	Ø7x40

G12	
x4	Ø14

G2	
x1	

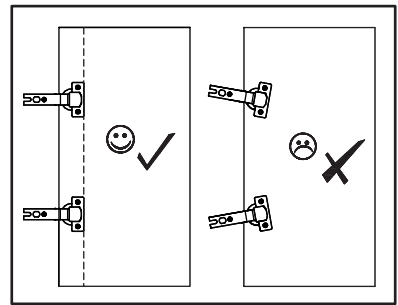
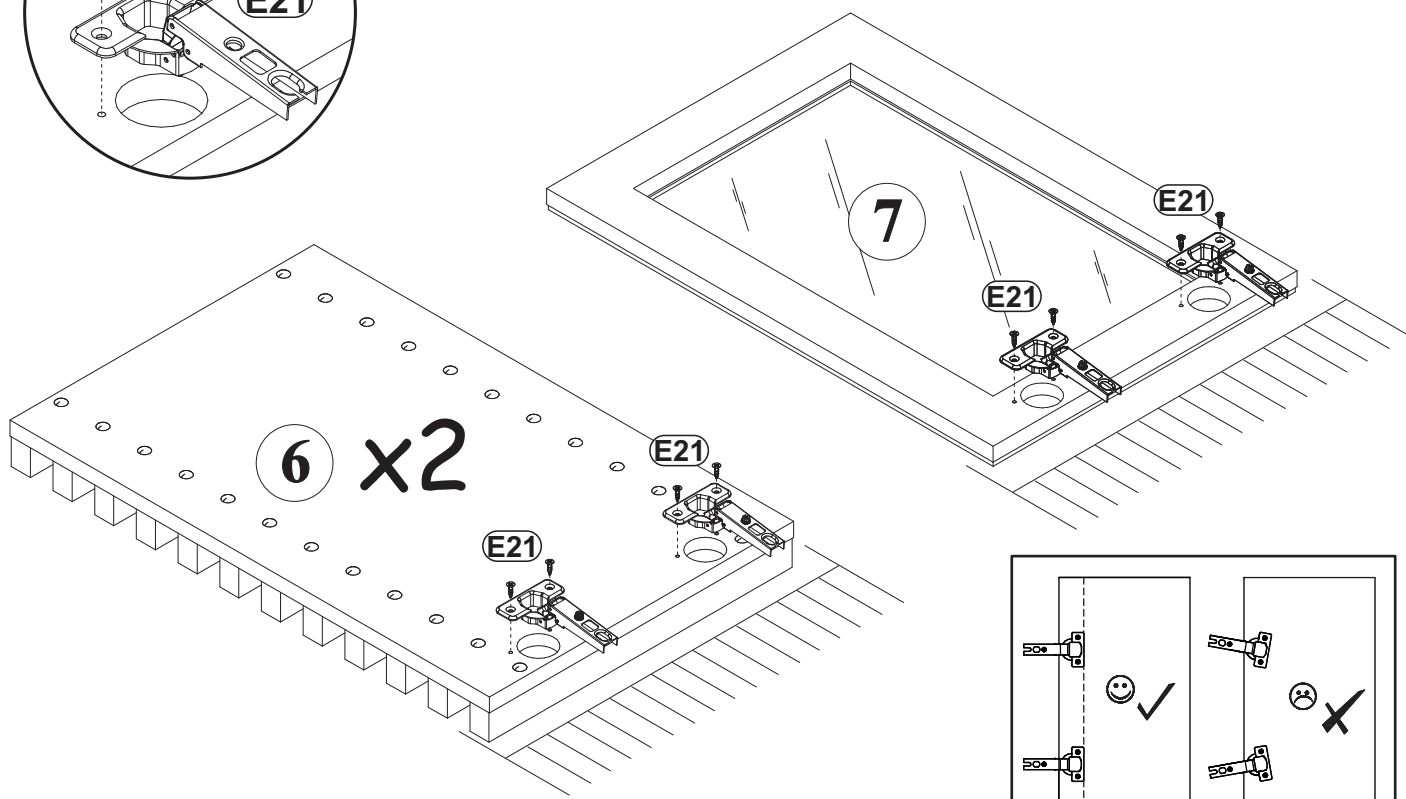


5

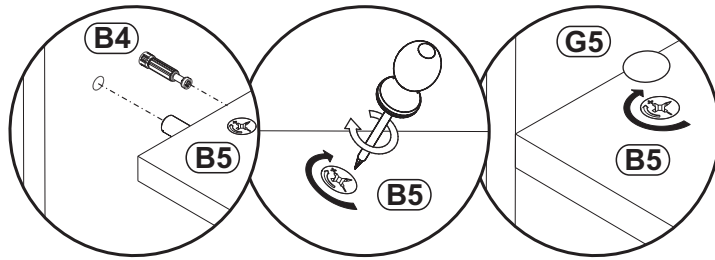



D10	
x12	USØ3,5x13

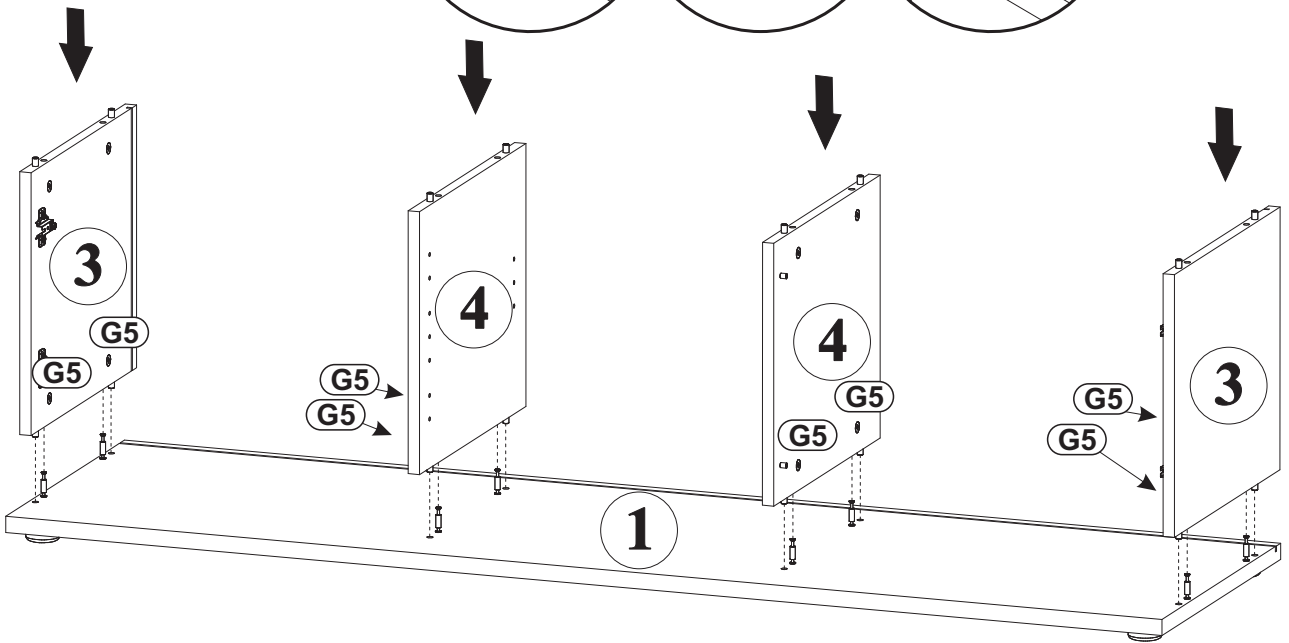
E21	
x6	Ø35 H=0



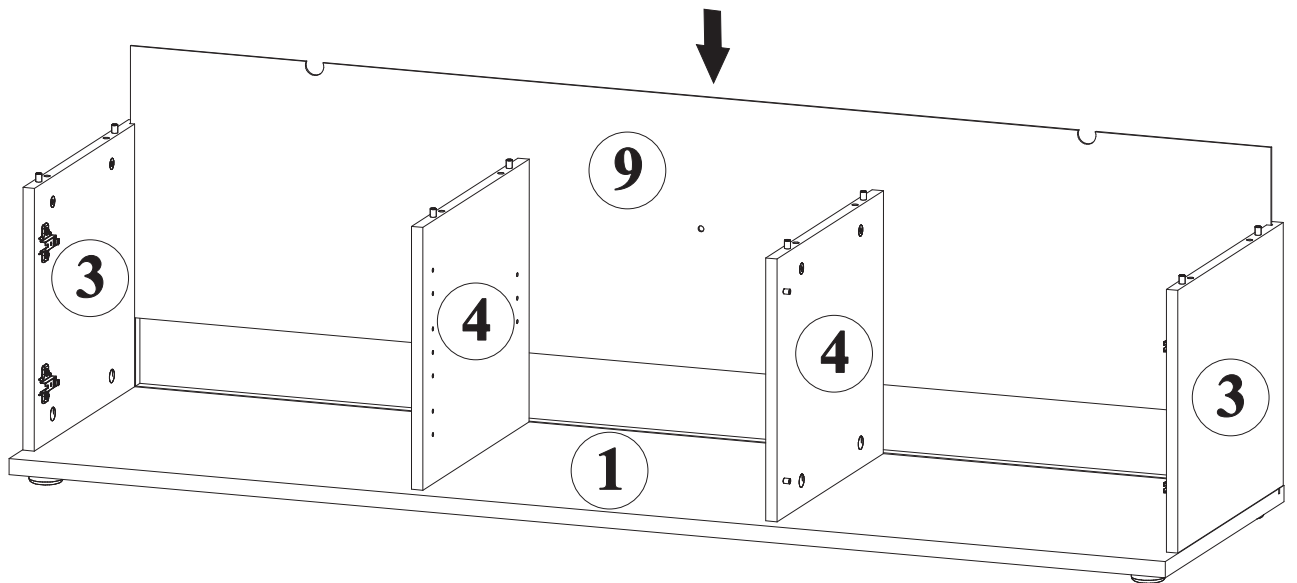
6




G5	
x8	

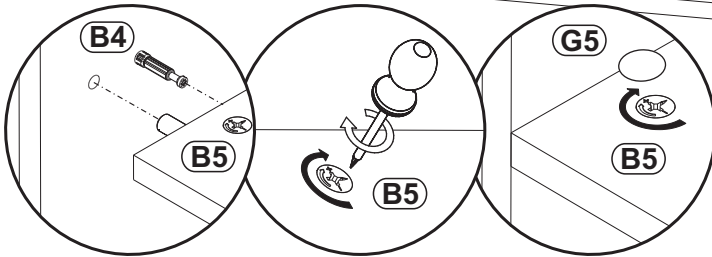
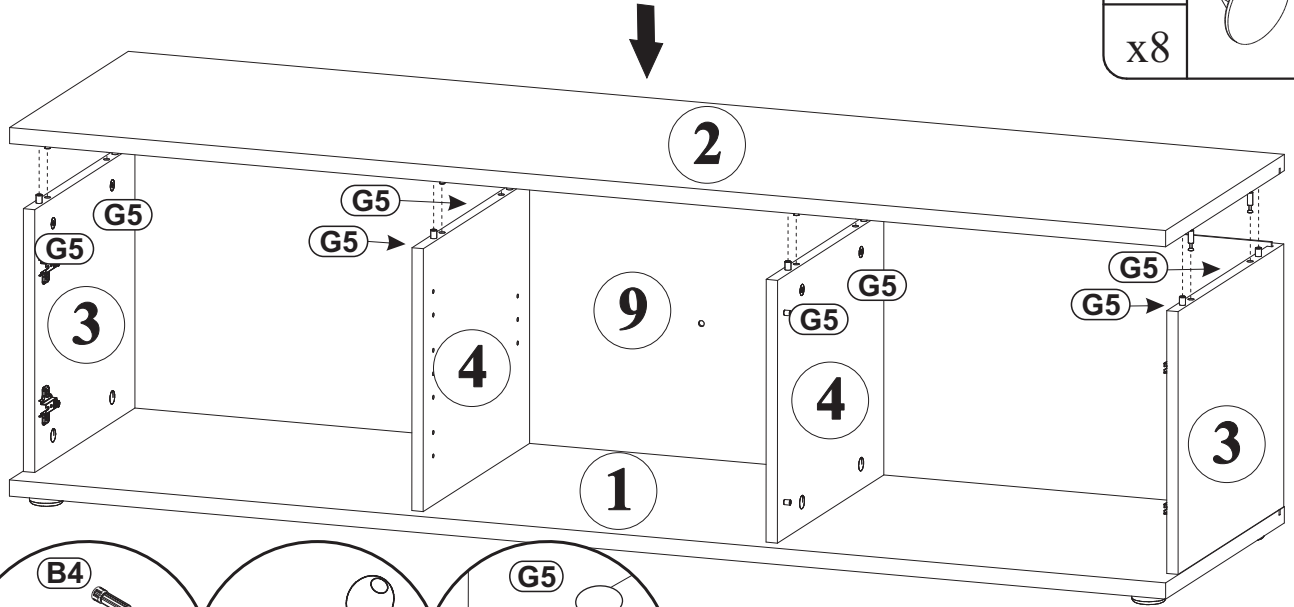


7



8


G5	
x8	

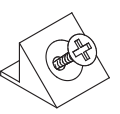


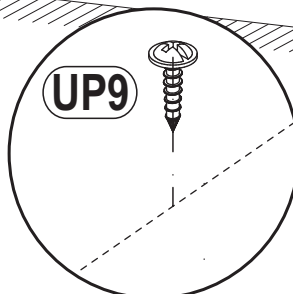
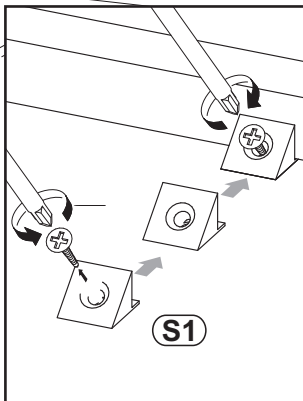
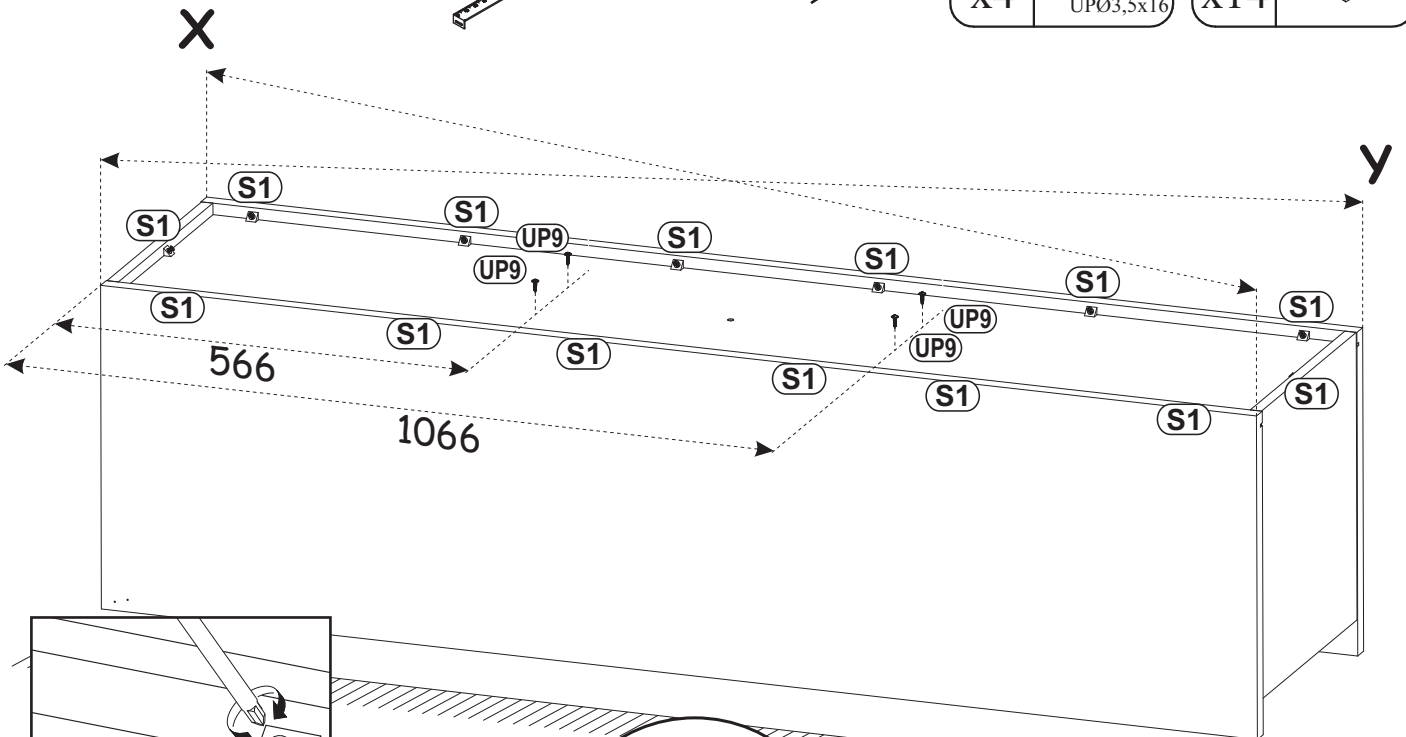
90°

9

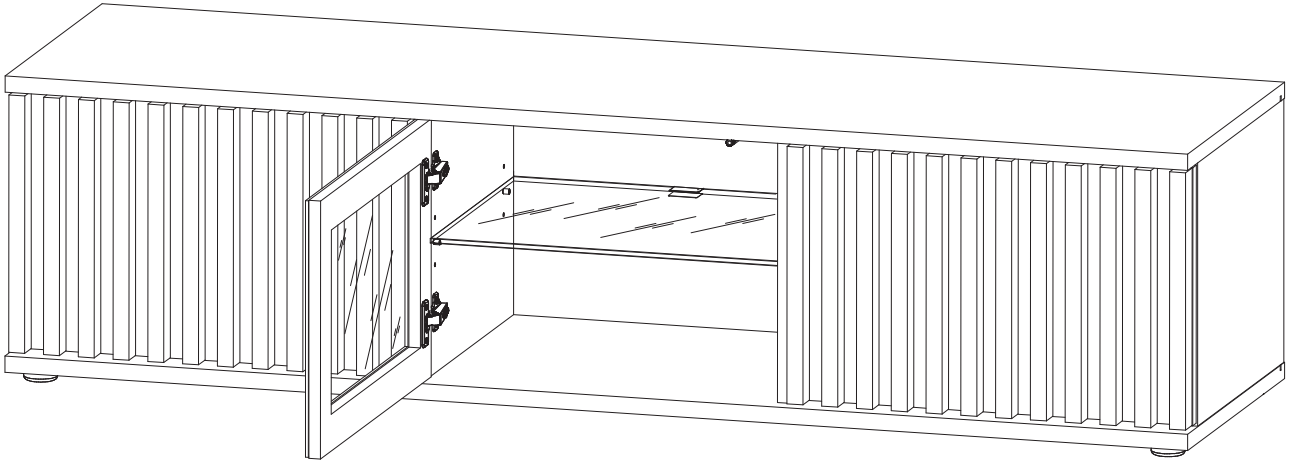


UP9	
x4	UPØ3,5x16

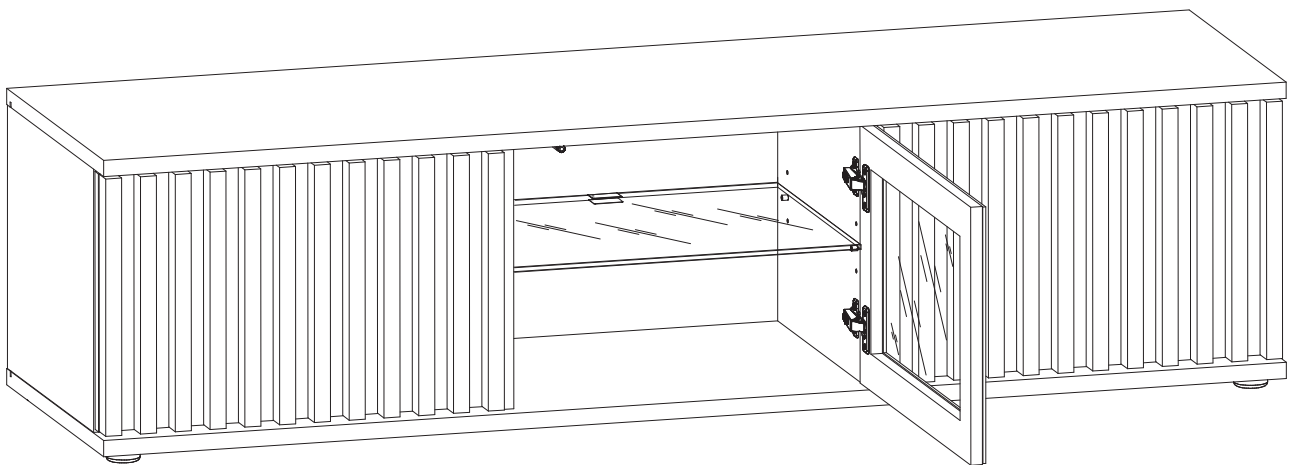
S1	
x14	



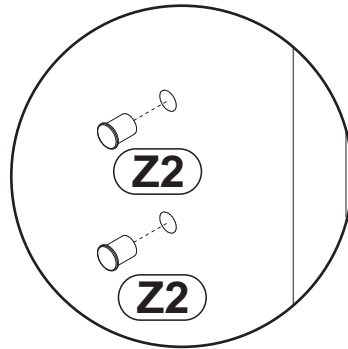
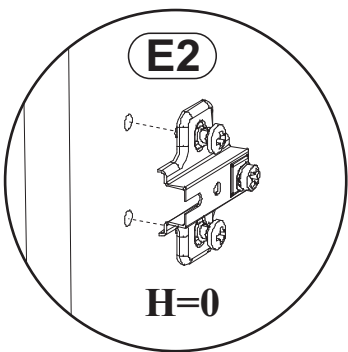
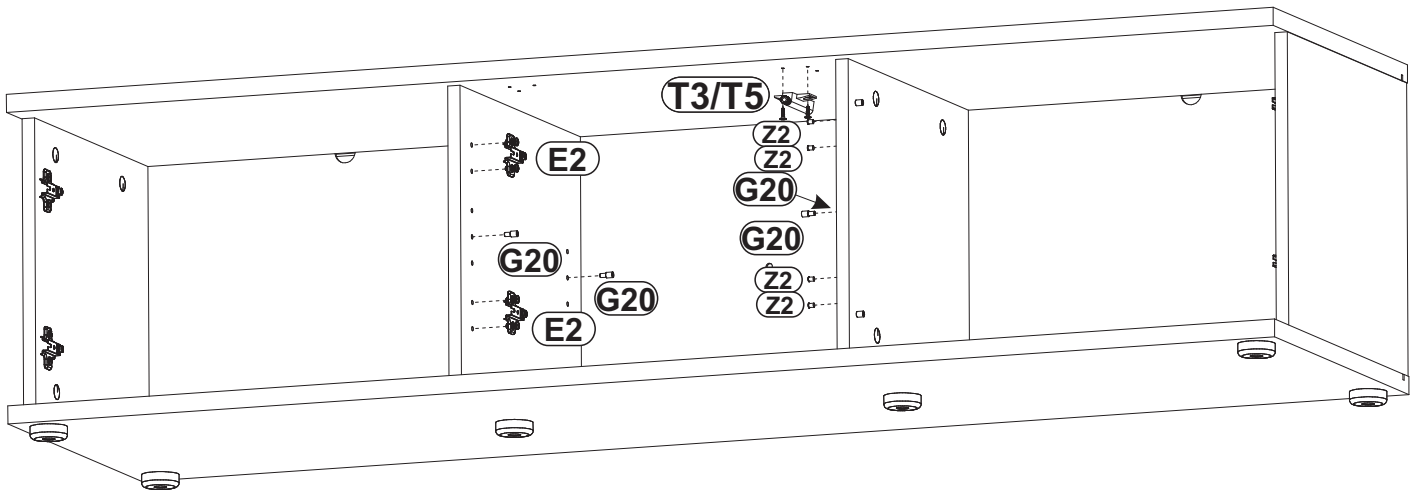
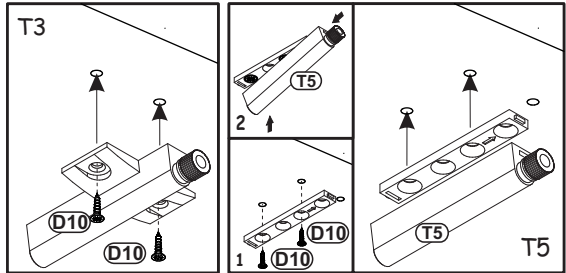
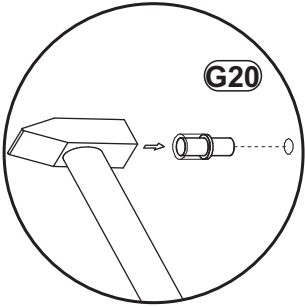
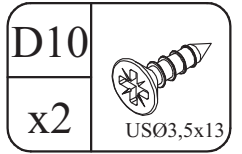
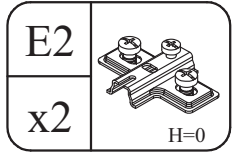
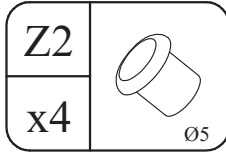
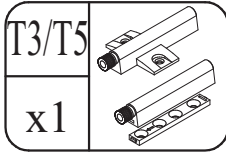
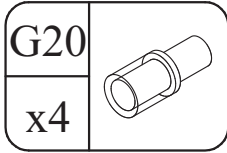
10-13



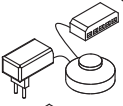
14-17




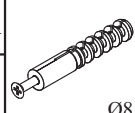
10

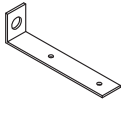


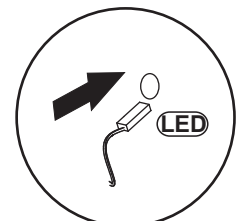
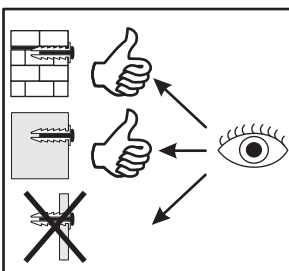
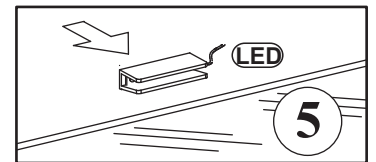
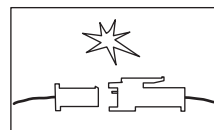
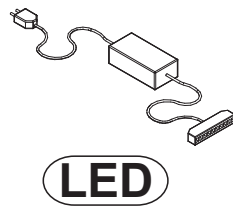
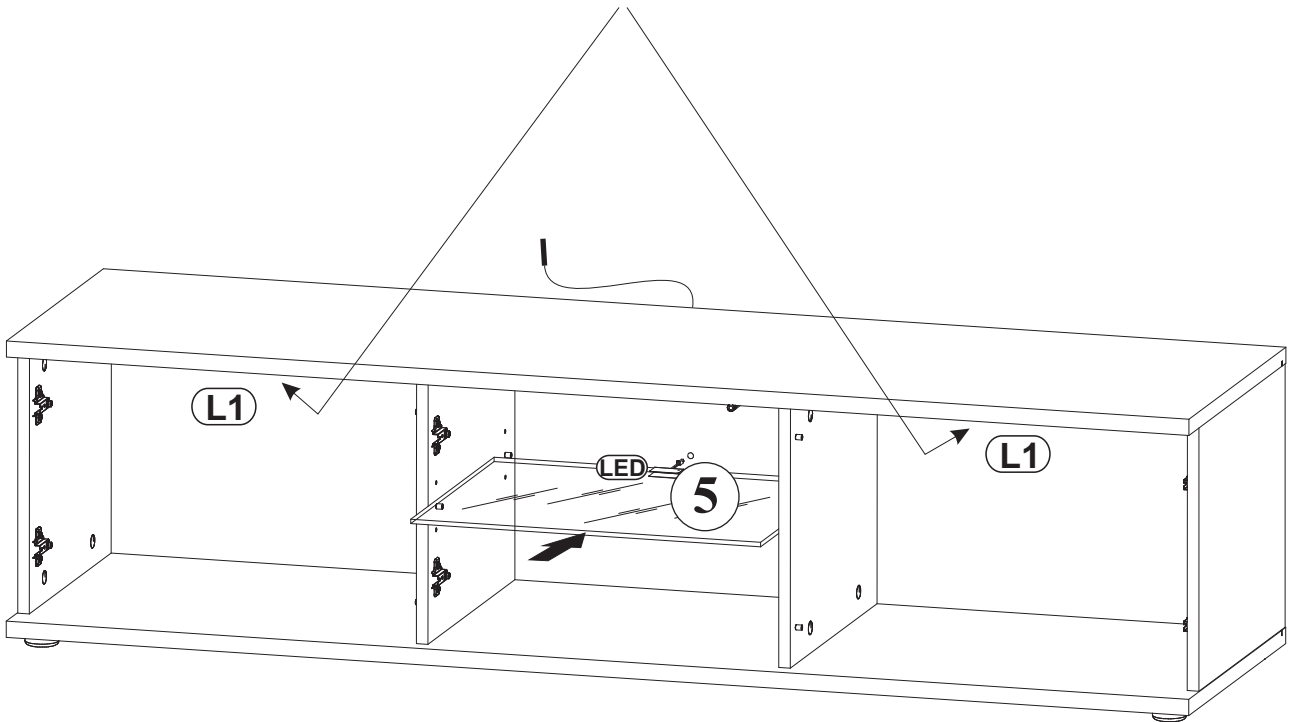
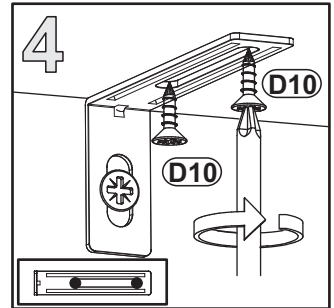
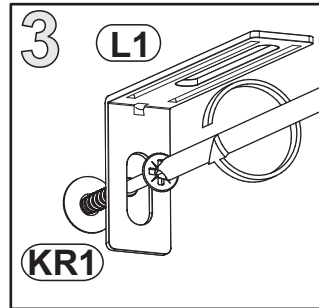
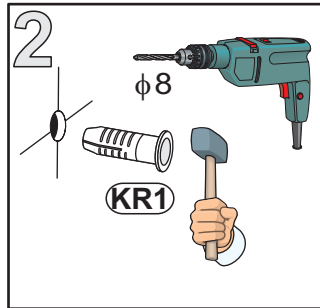
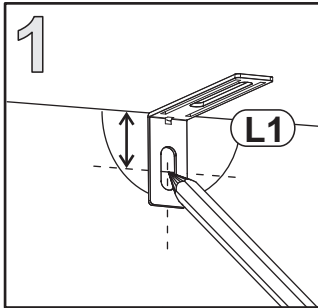
11

LED	
x1	1x1

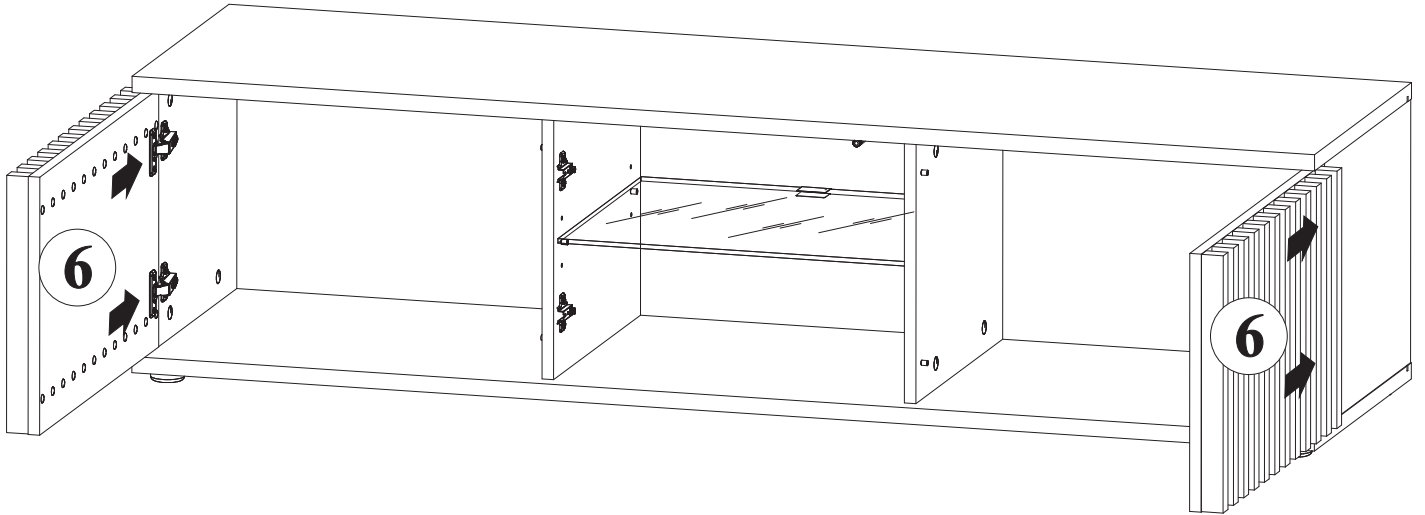
D10	
x4	US03,5x13

KR1	
x2	Ø8

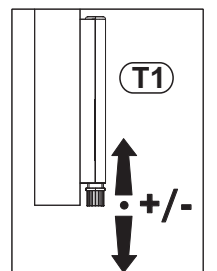
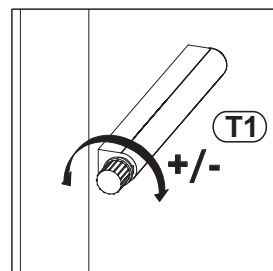
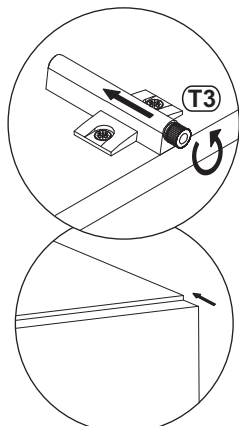
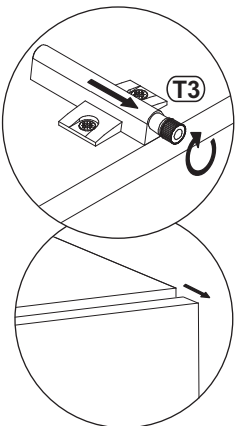
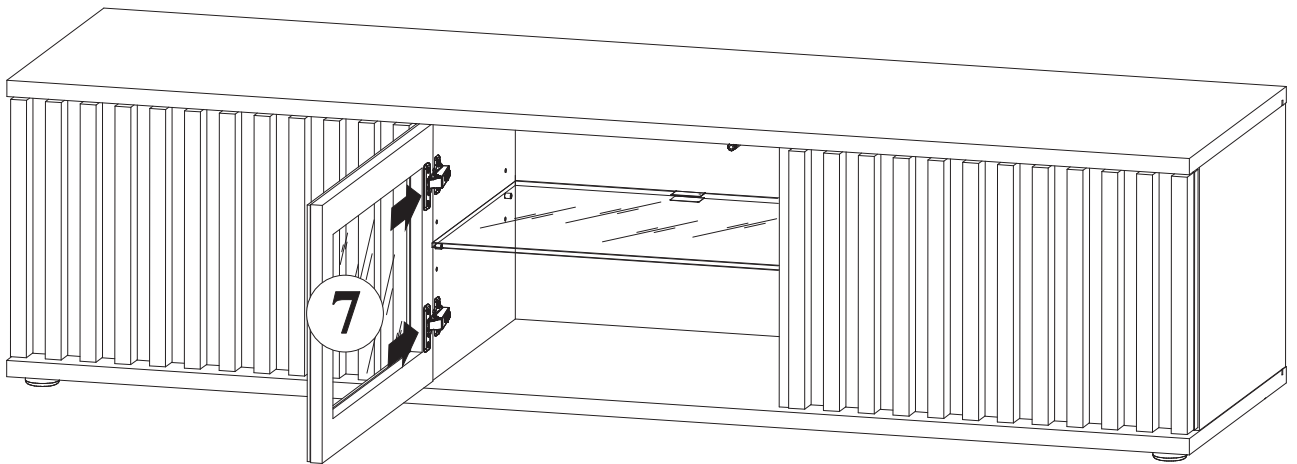
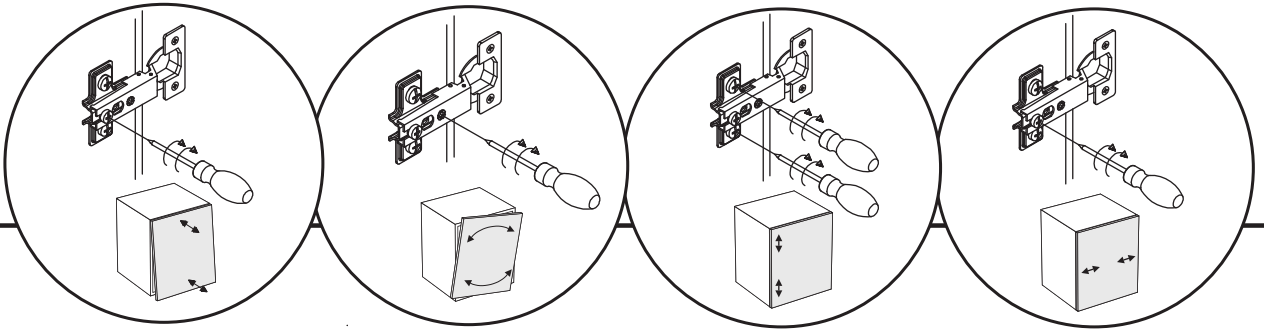
L1	
x2	



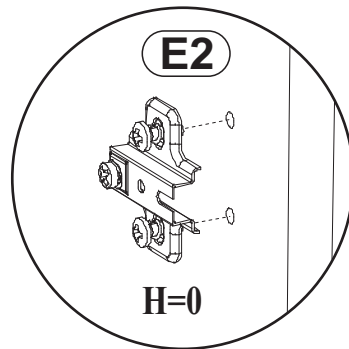
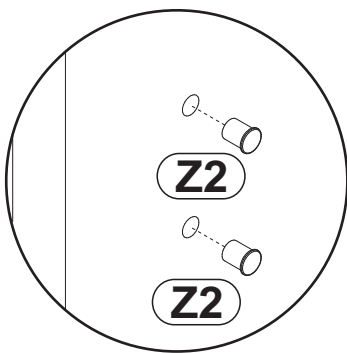
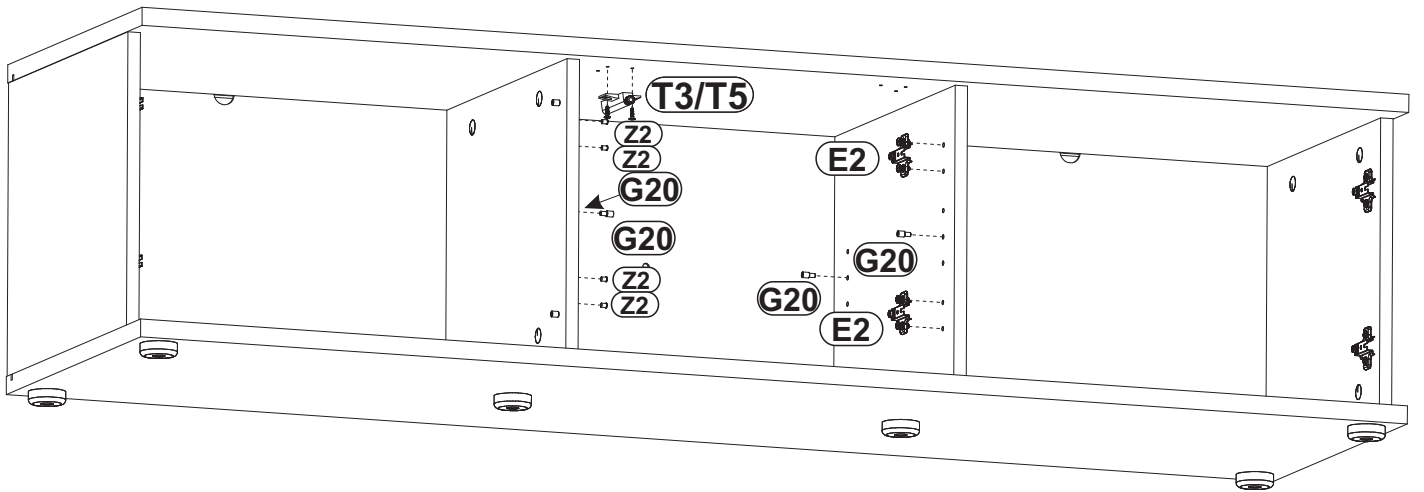
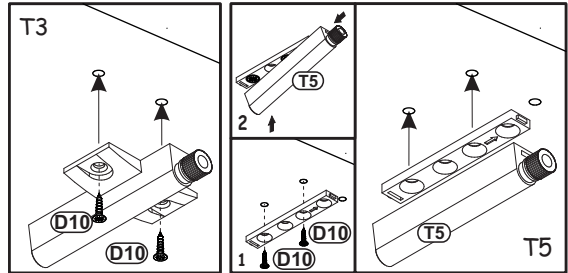
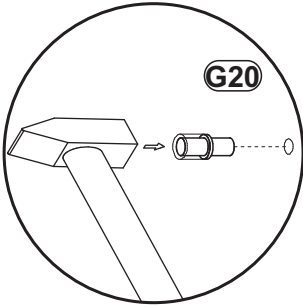
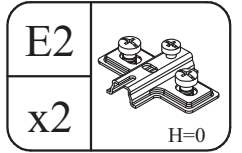
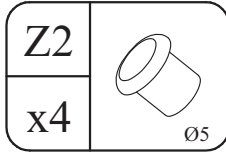
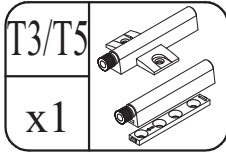
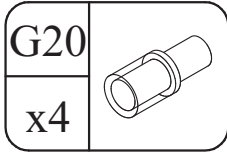
12



13



14



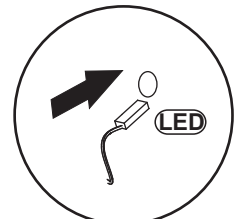
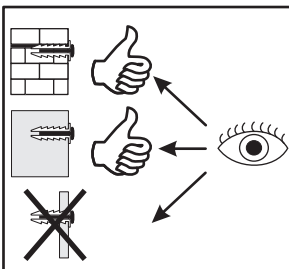
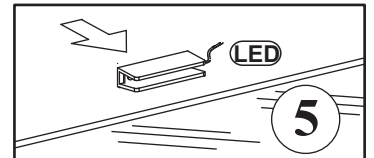
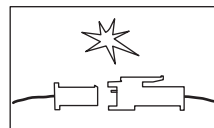
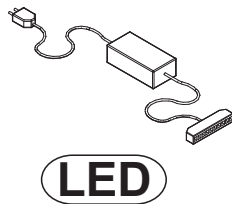
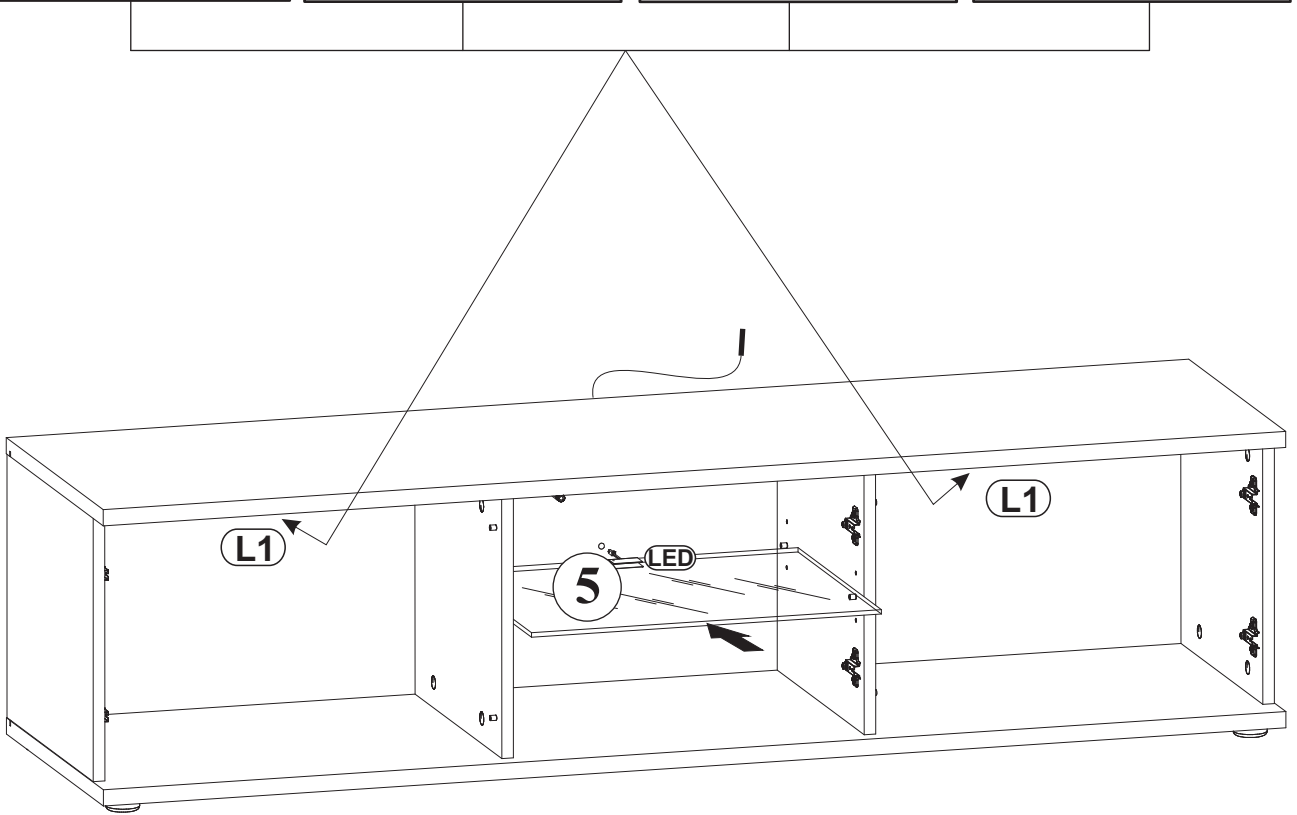
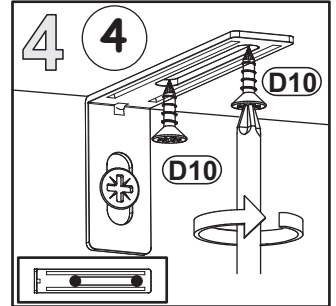
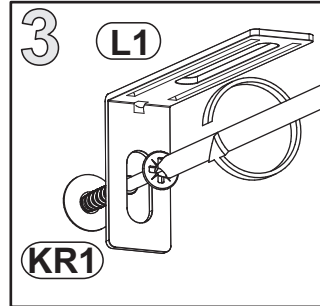
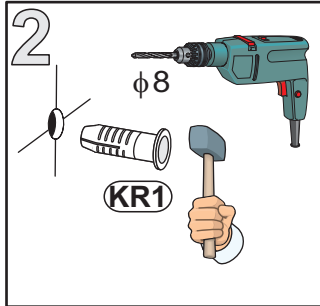
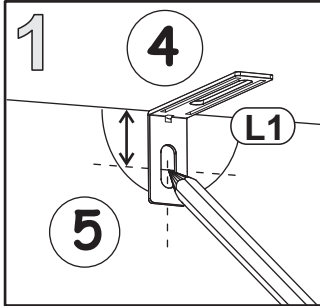
15

LED	
x1	1x1

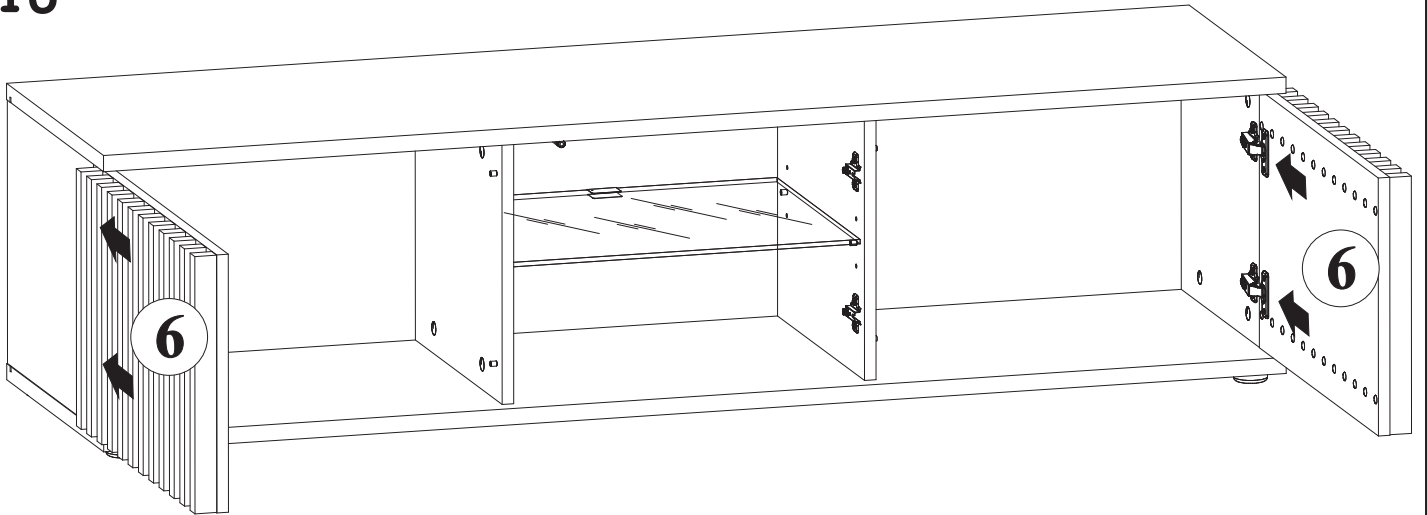
D10	
x4	USØ3,5x13

KR1	
x2	Ø8

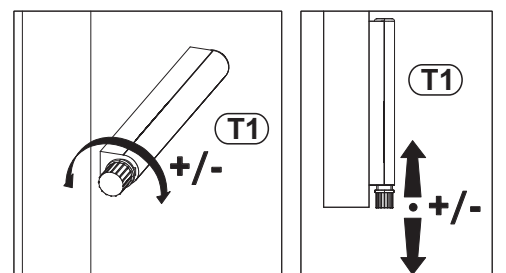
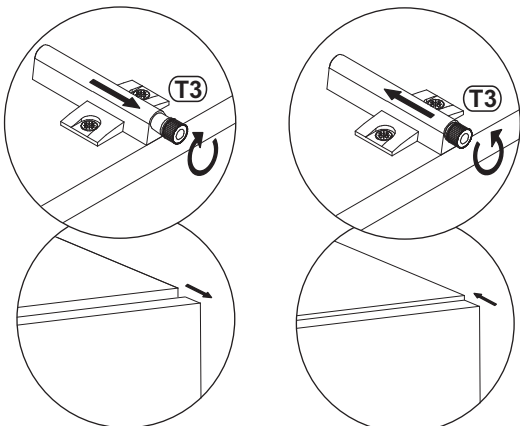
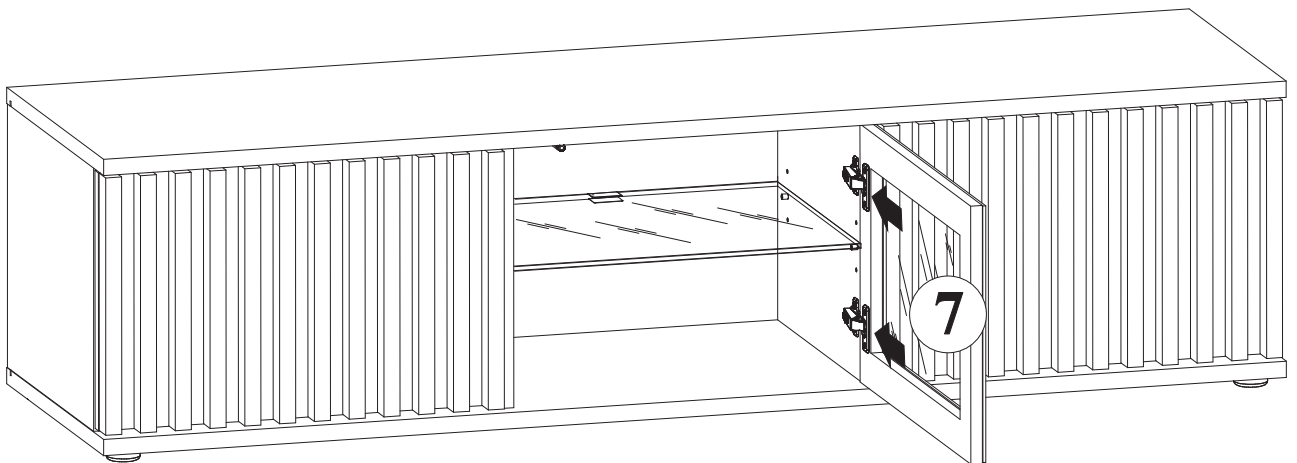
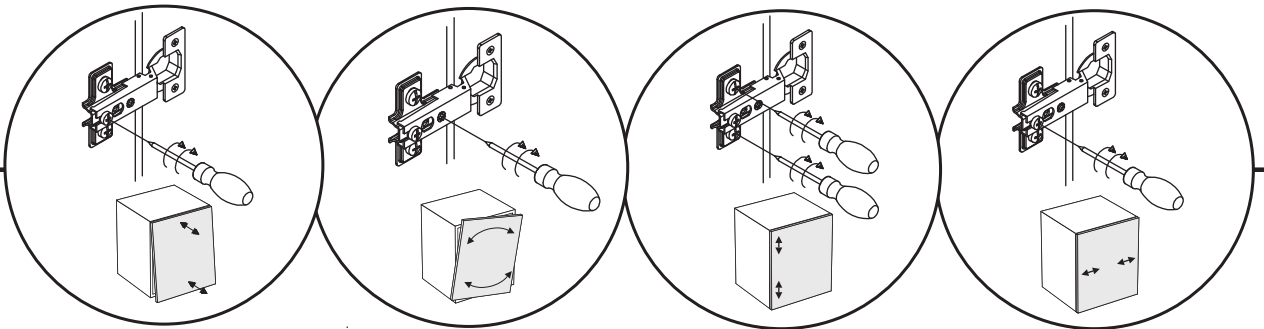
L1	
x2	



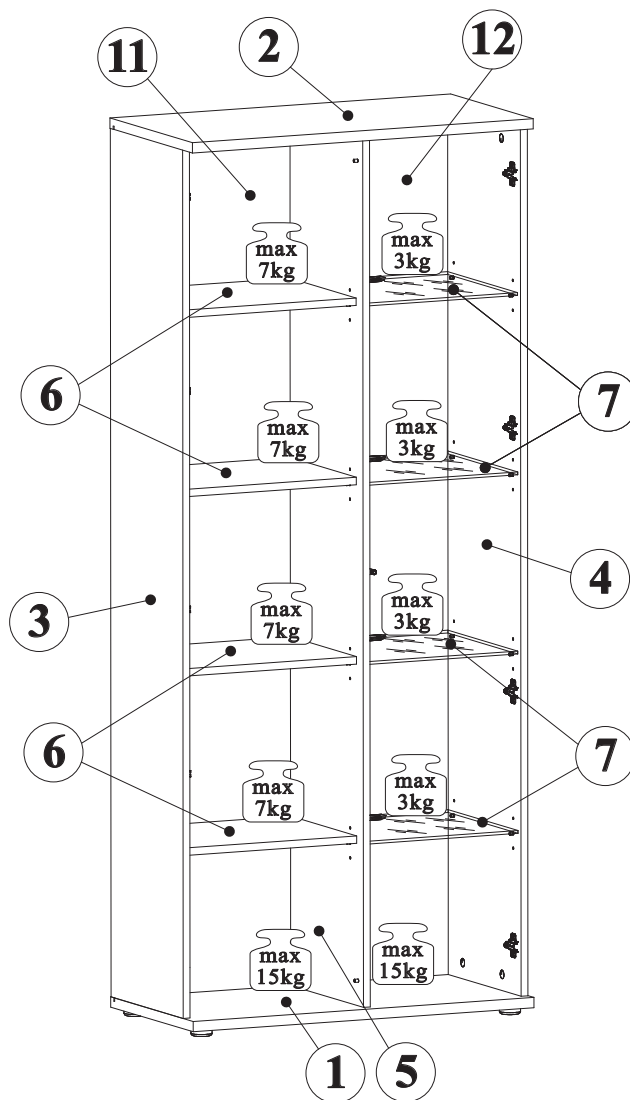
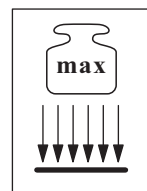
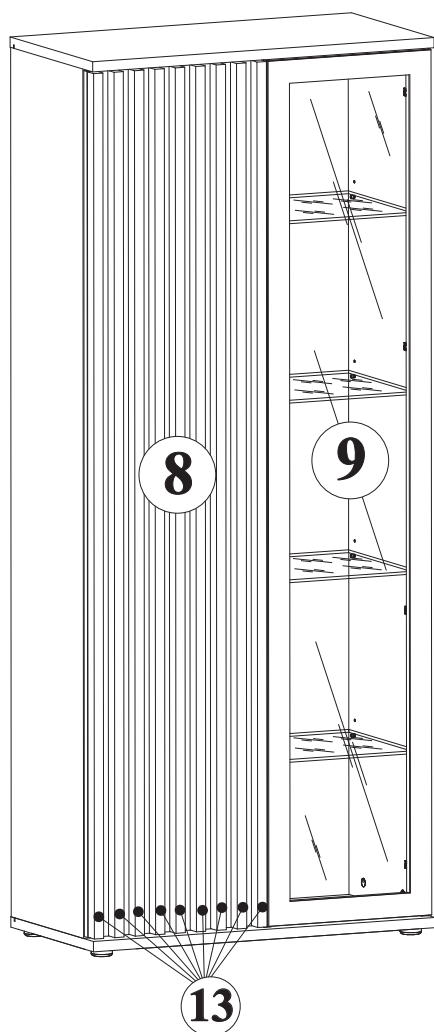
16



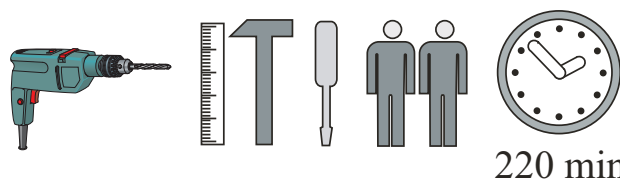
17



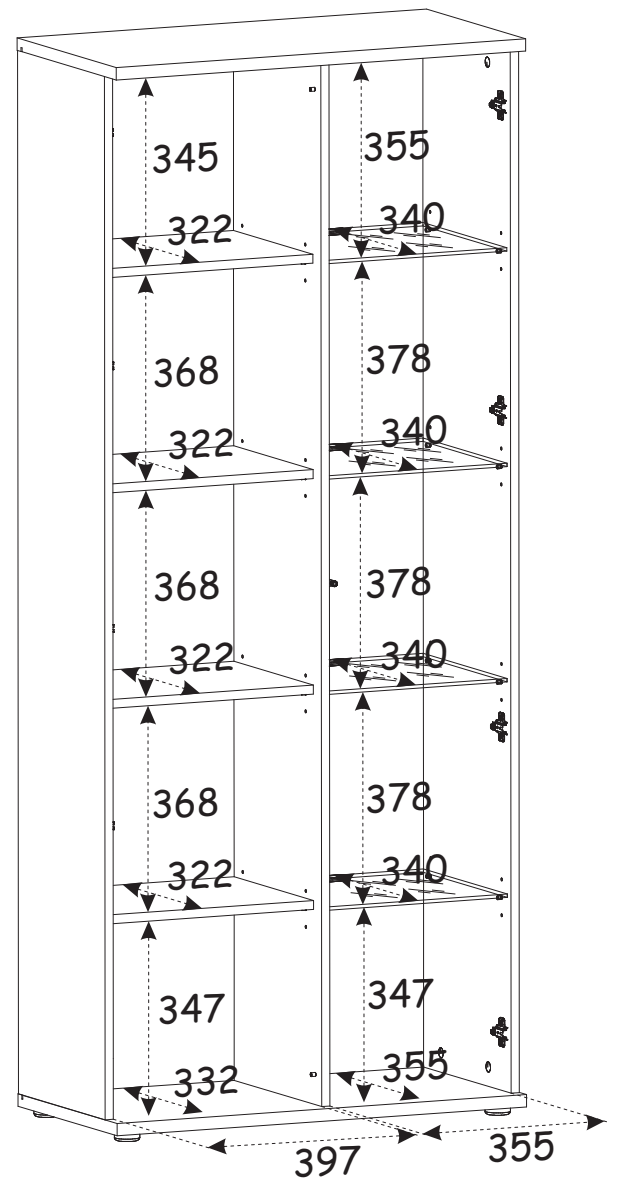
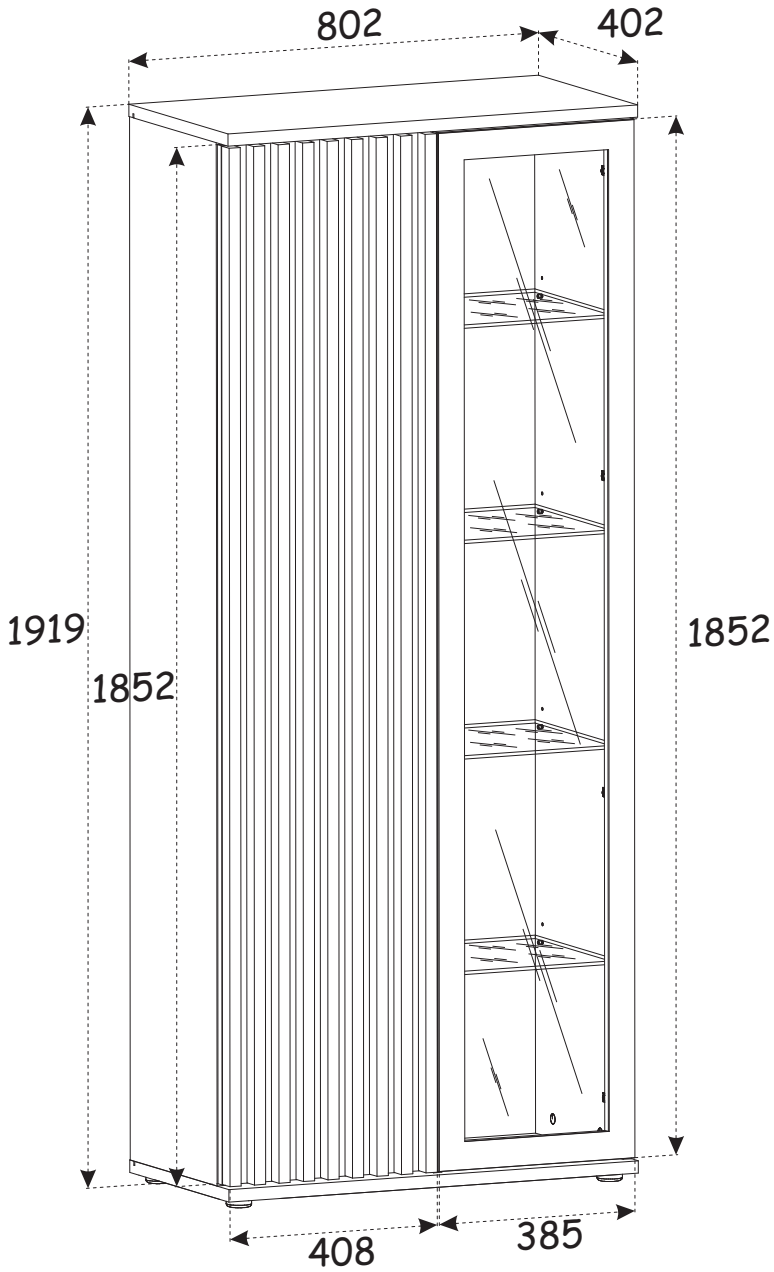
CAMERON ___ CM WSW

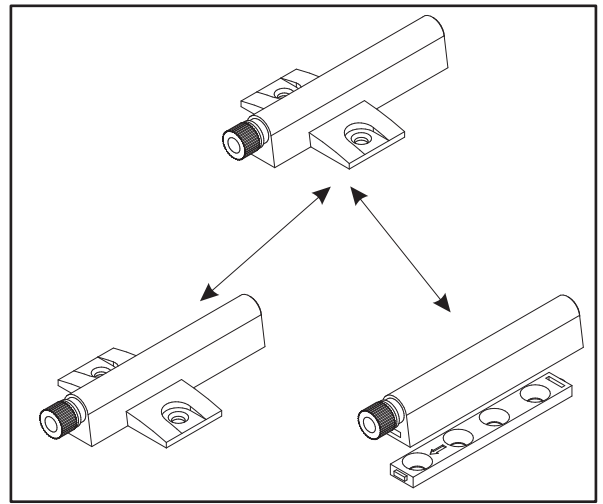
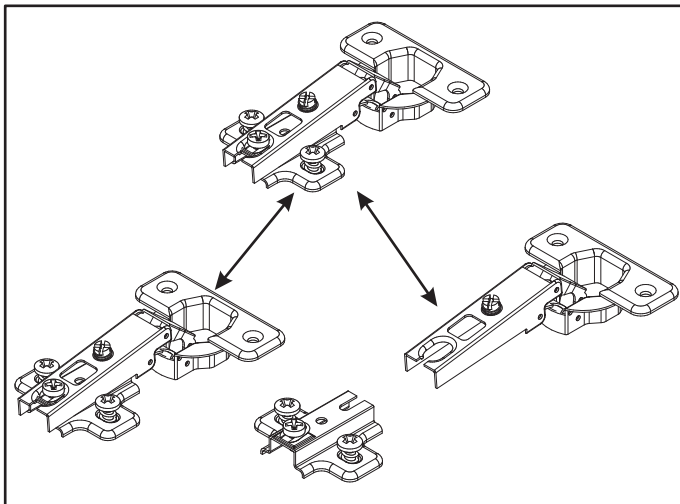
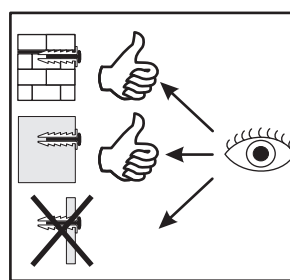
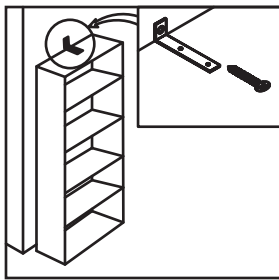
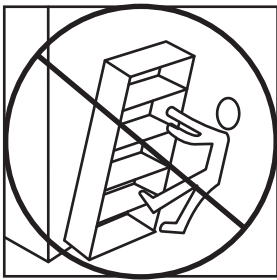
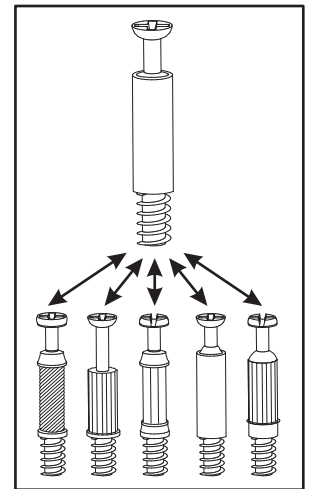
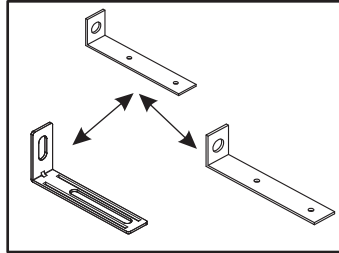
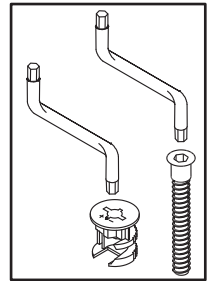
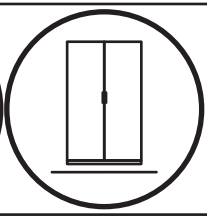
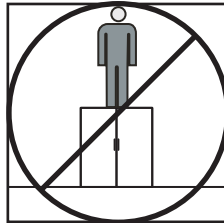
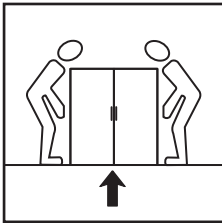
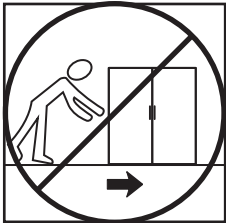
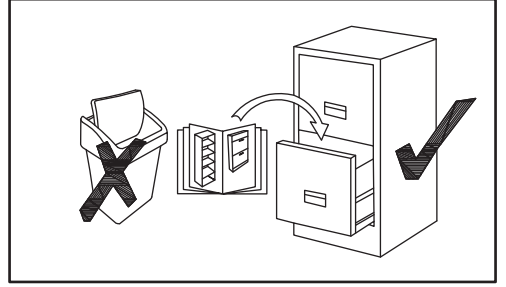
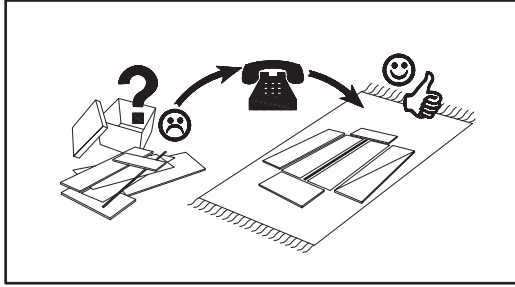
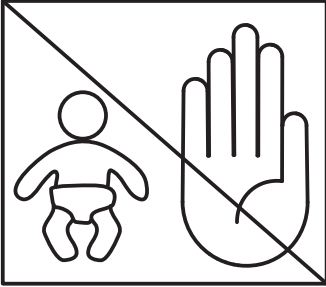
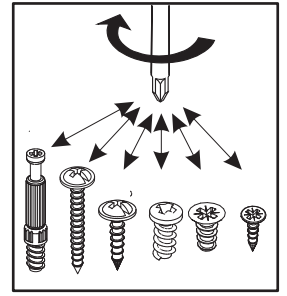
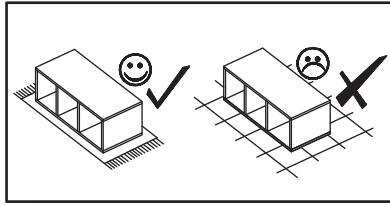
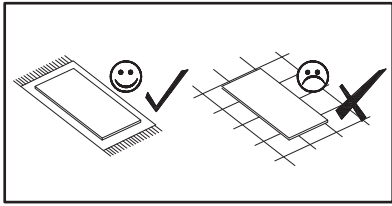


NO	Dim (mm)			Col.-No	Qty
1	802	402	22	1/3	1
2	802	402	22	1/3	1
3	1860	352	16	2/3	1
4	1860	375	16	2/3	1
5	1860	355	16	2/3	1
6	397	322	16	1/3	4
7	354	340	6	1/3	4
8	1852	408	16	3/3	1
9	1852	385	16	3/3	1
11	1872	411	3	3/3	1
12	1872	369	3	3/3	1
13	1851	30	22	3/3	9



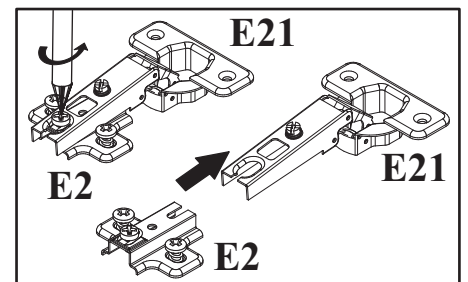
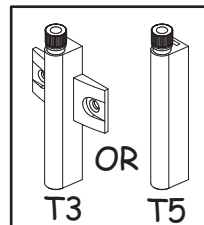
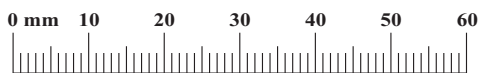
220 min



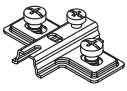
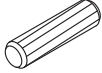
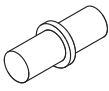
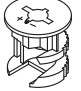


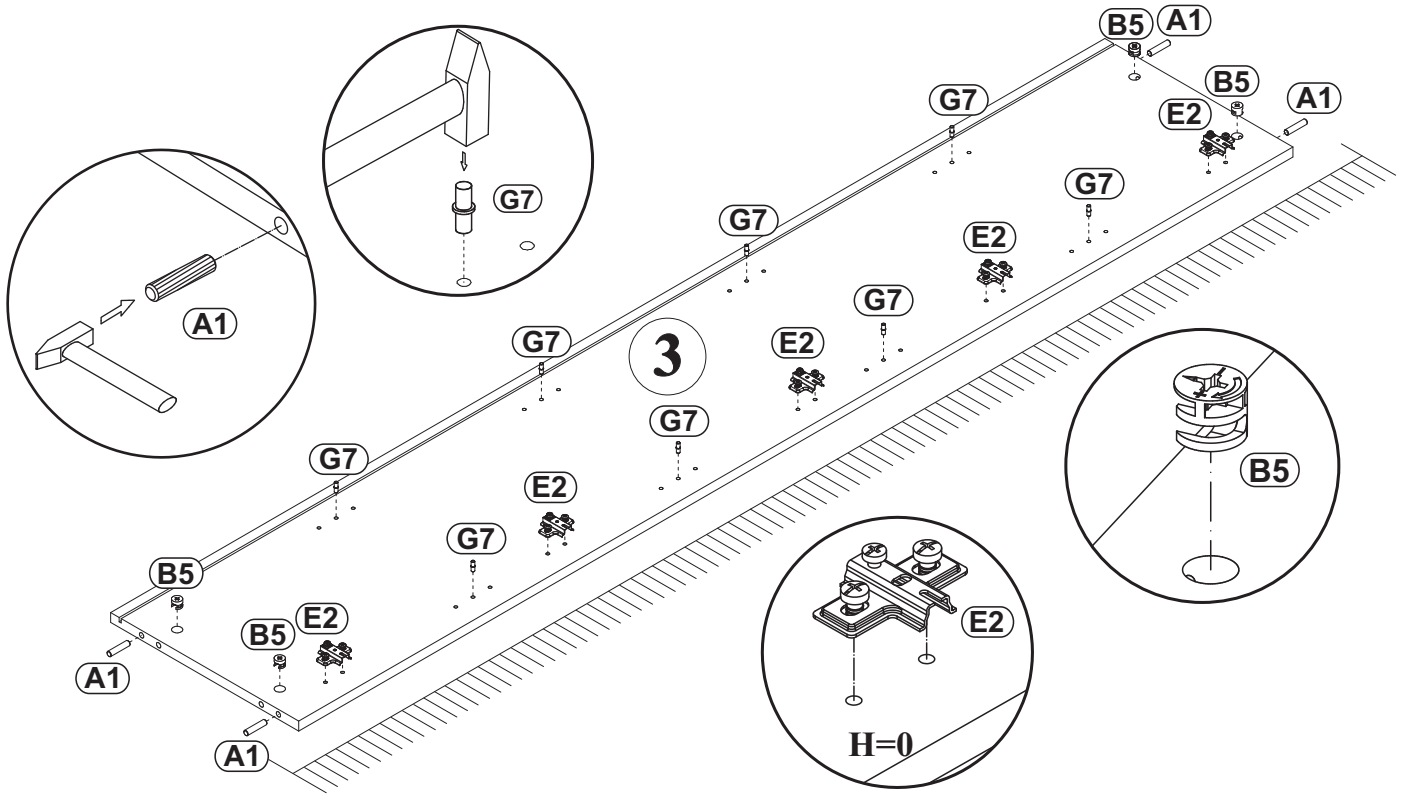
CAMERON ___ CM WSW

A1 x12 ø8x36	B22 x45 Ø7x40	G4 x40	B4 x12	B5 x12 Ø15x12	G5 x12
E21 x9 Ø35 H=0	E2 x9 H=0	T3/T5 x1	LED x1 1x4	S1 x22	G16 x10
G7 x16	G20 x18	I11 x5 Ø45, h=15	UP11 x5 UPØ4x20	D10 x22 USØ3,5x13	UP9 x10 UPØ3,5x16
KR1 x1 Ø8	L1 x1	G2 x1	G12 x5 Ø14		

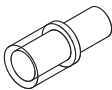
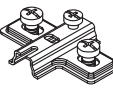
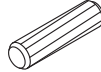
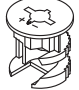


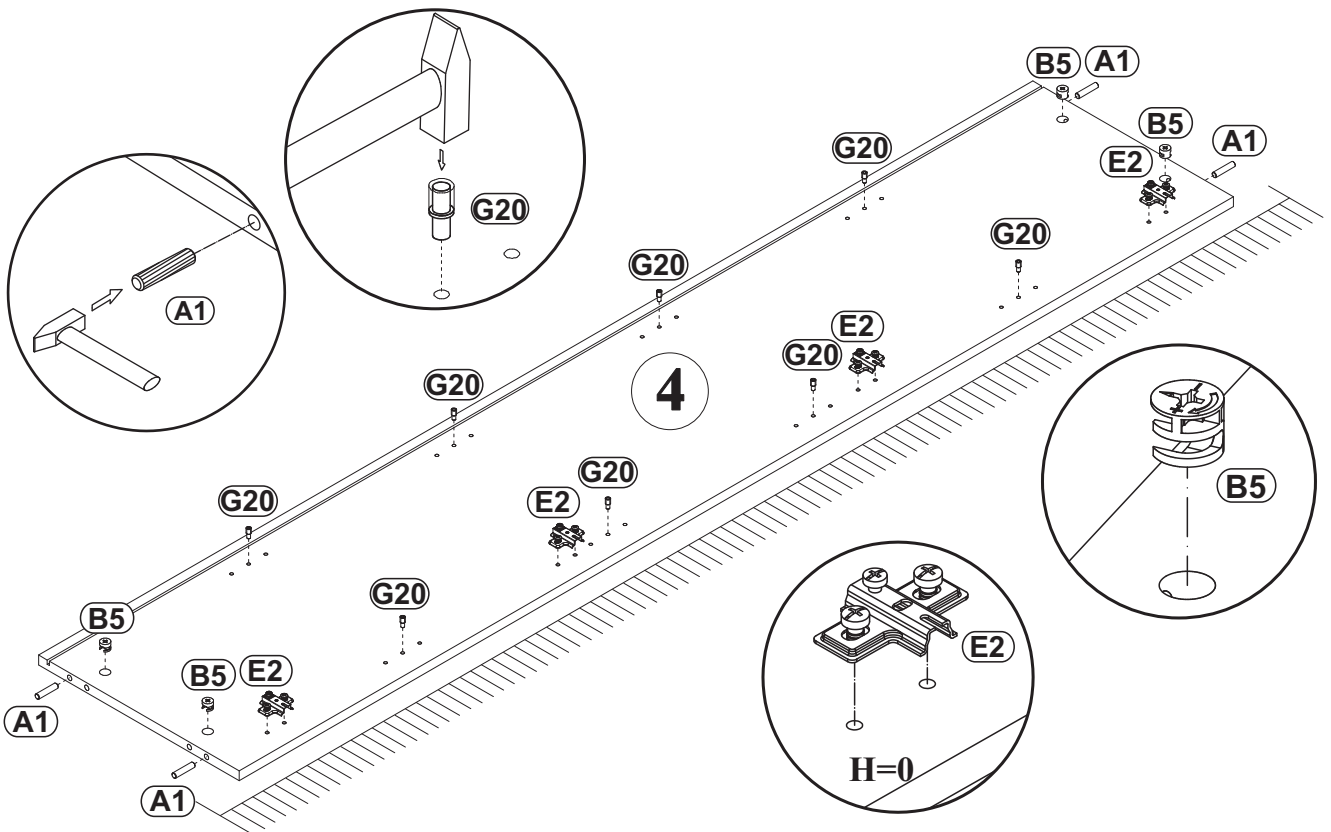
1

E2 x5	 H=0	A1 x4	 ø8x36	G7 x8		B5 x4	 Ø15x12
----------	--	----------	---	----------	---	----------	---

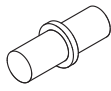


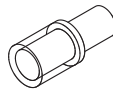
2

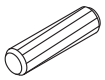
G20 x8		E2 x4	 H=0	A1 x4	 ø8x36	B5 x4	 Ø15x12
-----------	---	----------	---	----------	--	----------	---

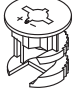


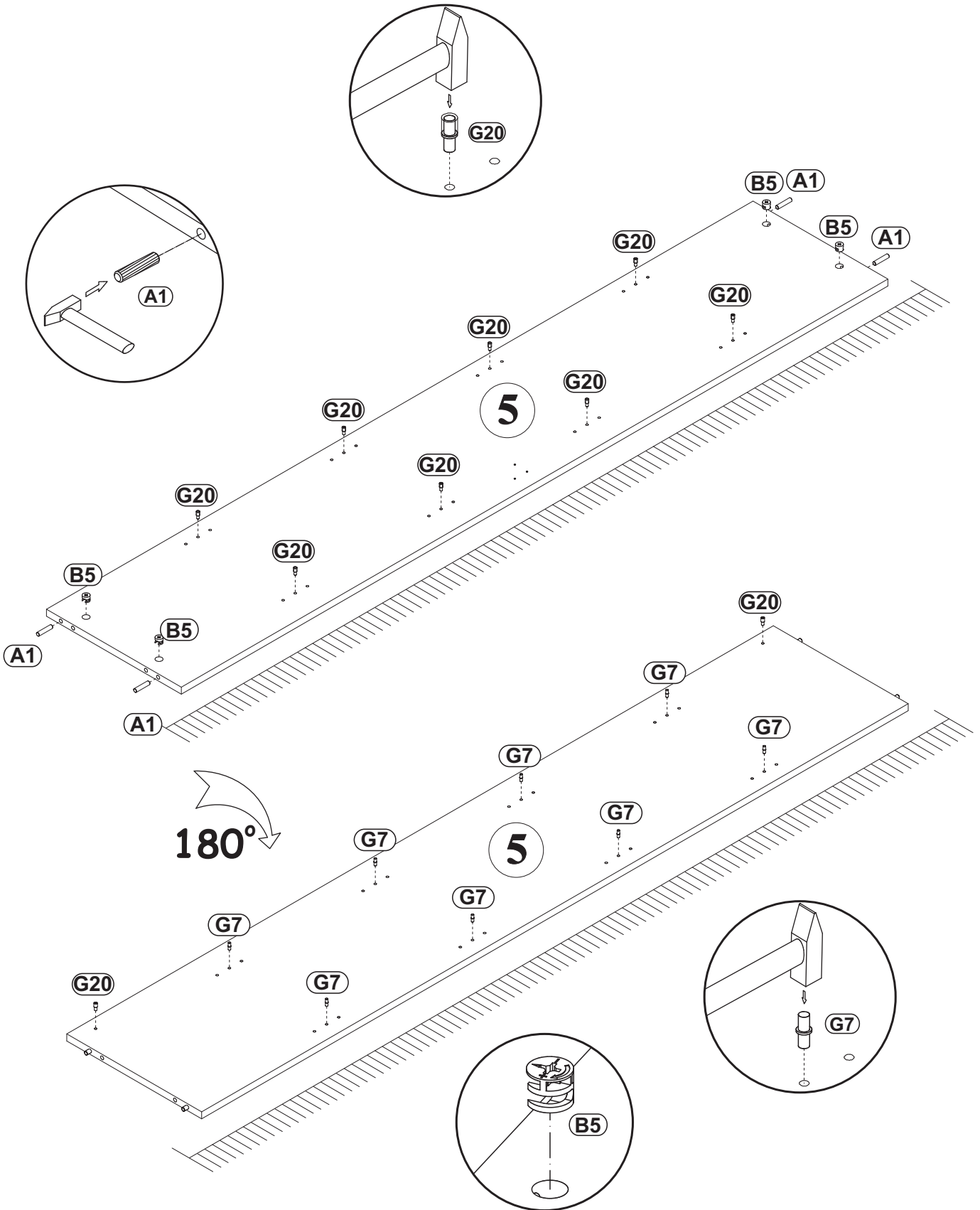
3

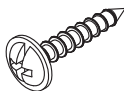
G7	
x8	

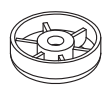
G20	
x10	

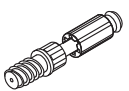
A1	
x4	ø8x36

B5	
x4	Ø15x12

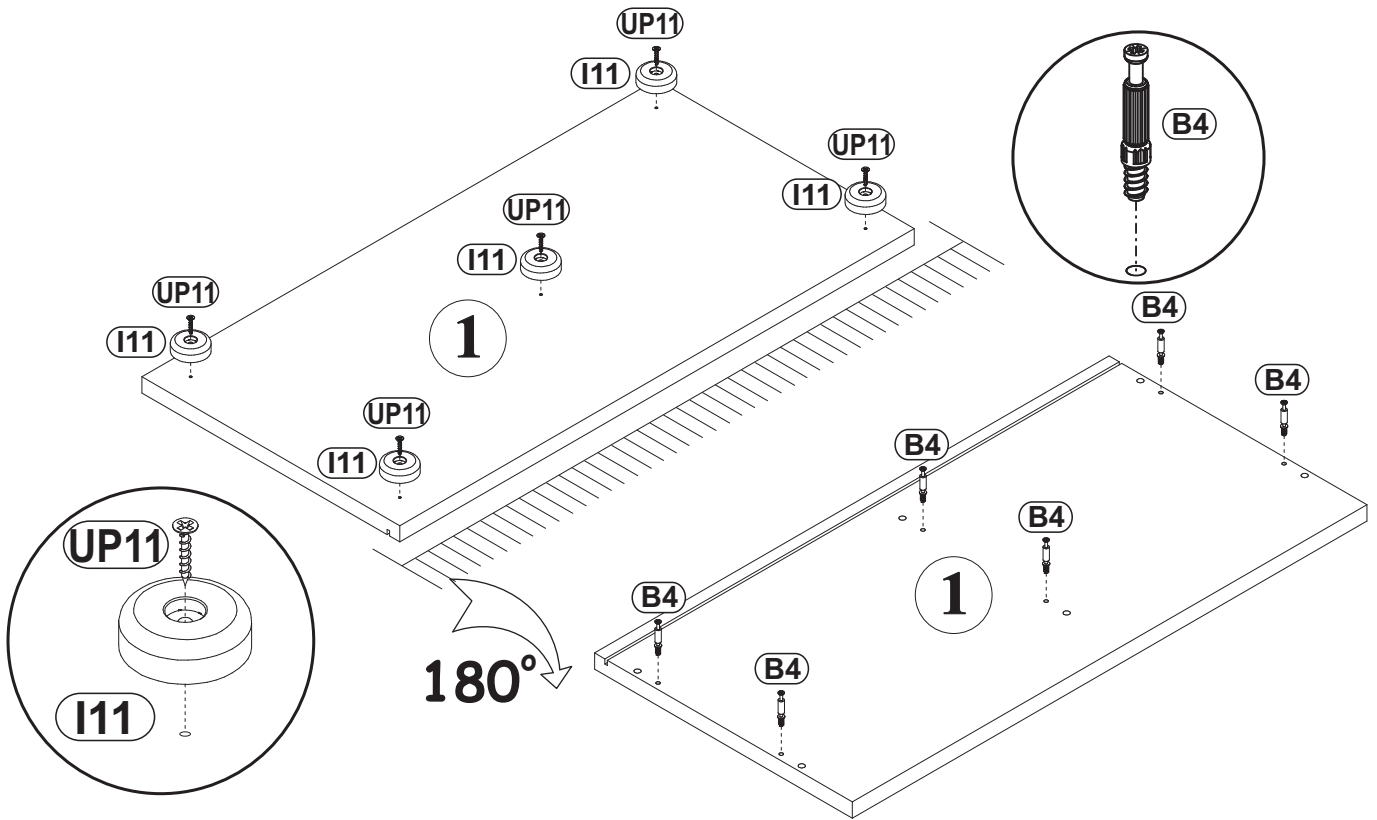


UP11	
x5	UPØ4x20

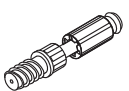
I11	
x5	Ø45, h=15

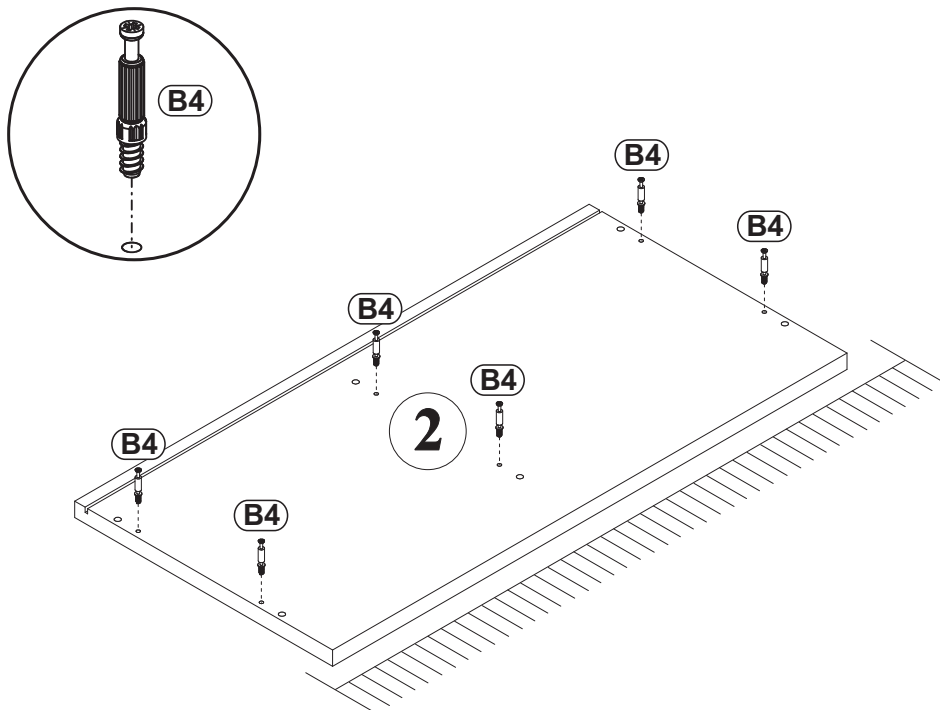
B4	
x6	

4

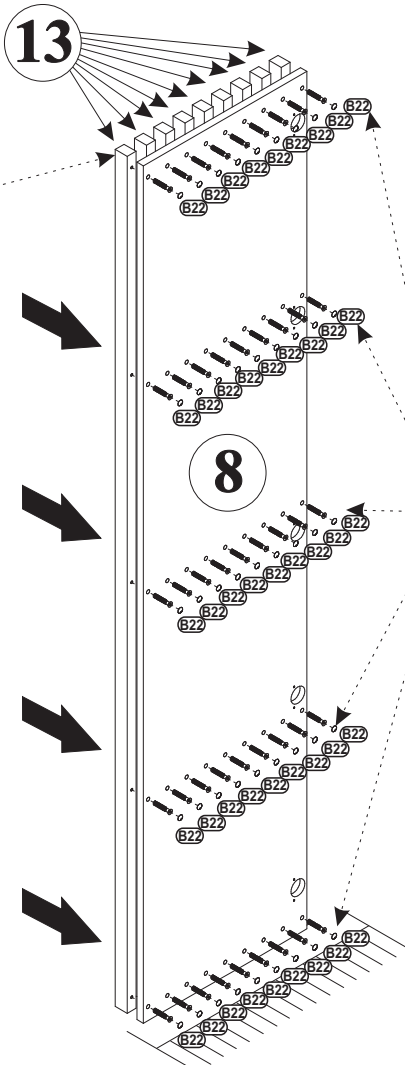
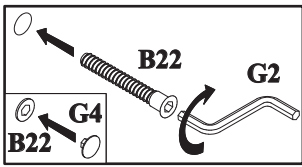
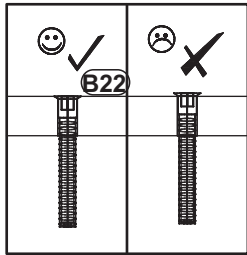
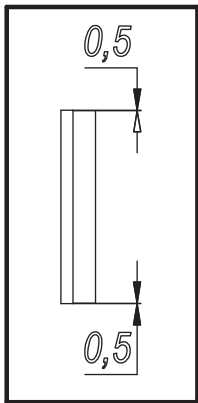
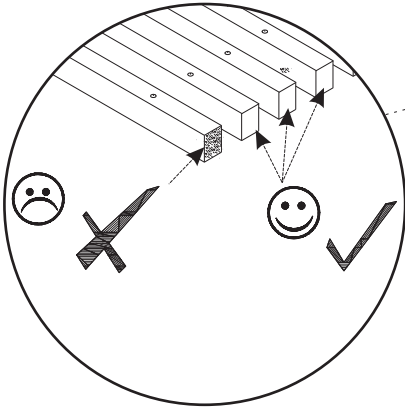


5

B4	
x6	

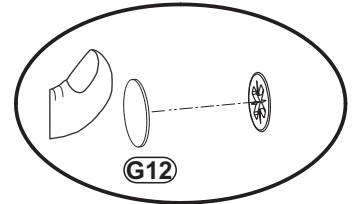
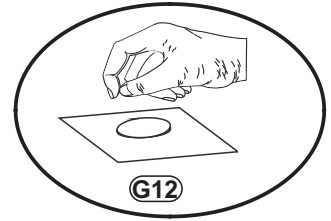
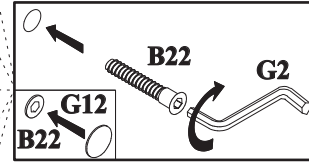


6

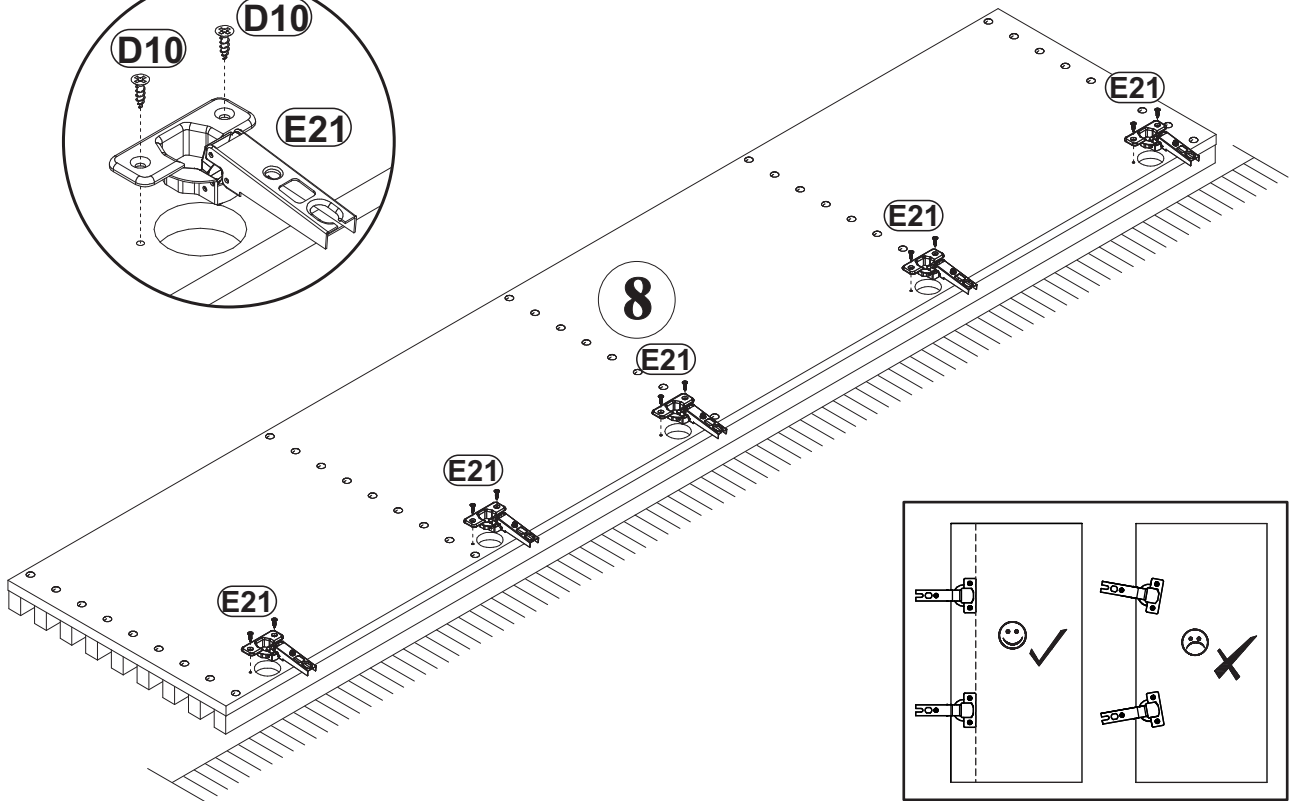
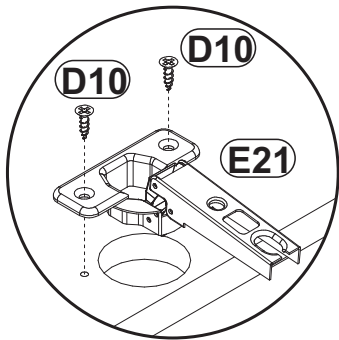


G4		B22	
x40		x45	Ø7x40

G12		G2	
x5	Ø14	x1	

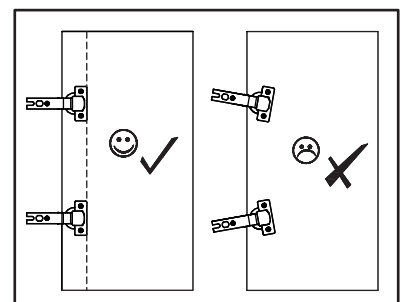


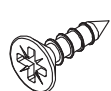
7

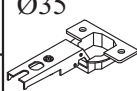


D10		E21	Ø35
x10	USØ3,5x13	x5	H=0

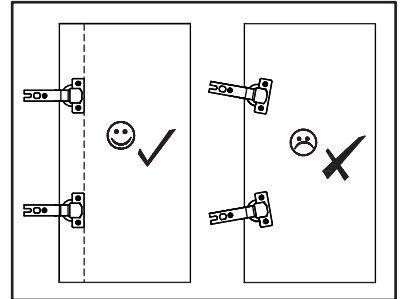
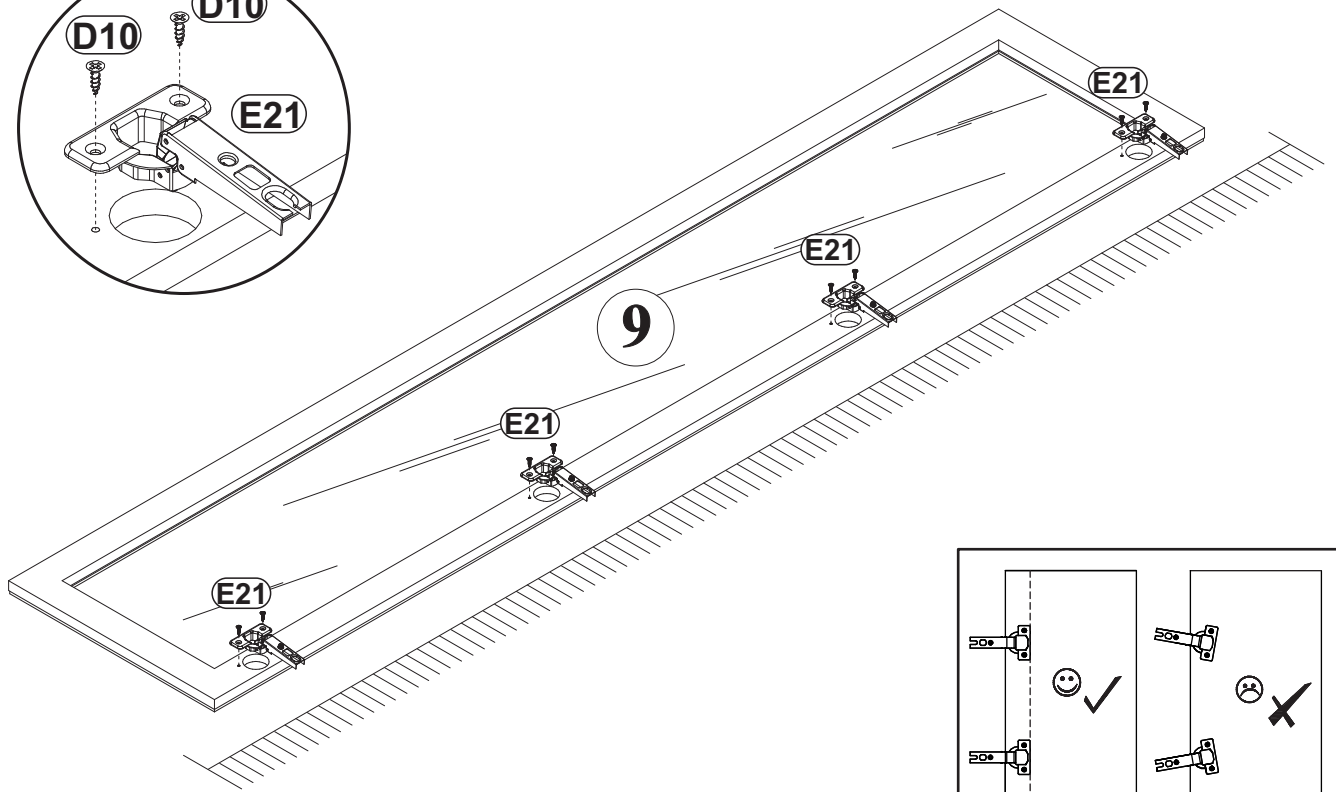
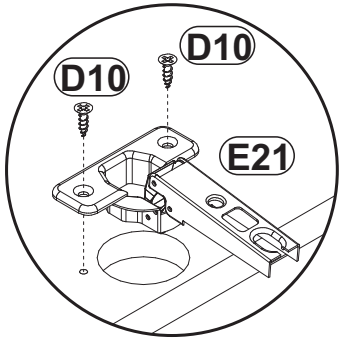
E21			
x5			




D10	
x8	USØ3,5x13

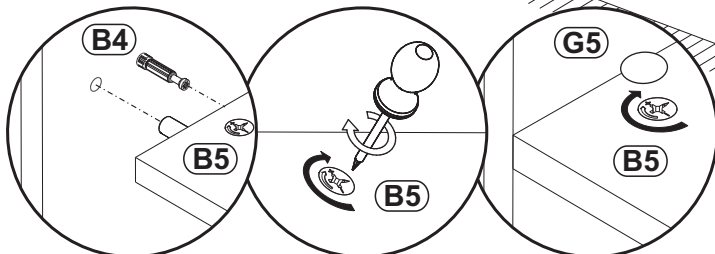
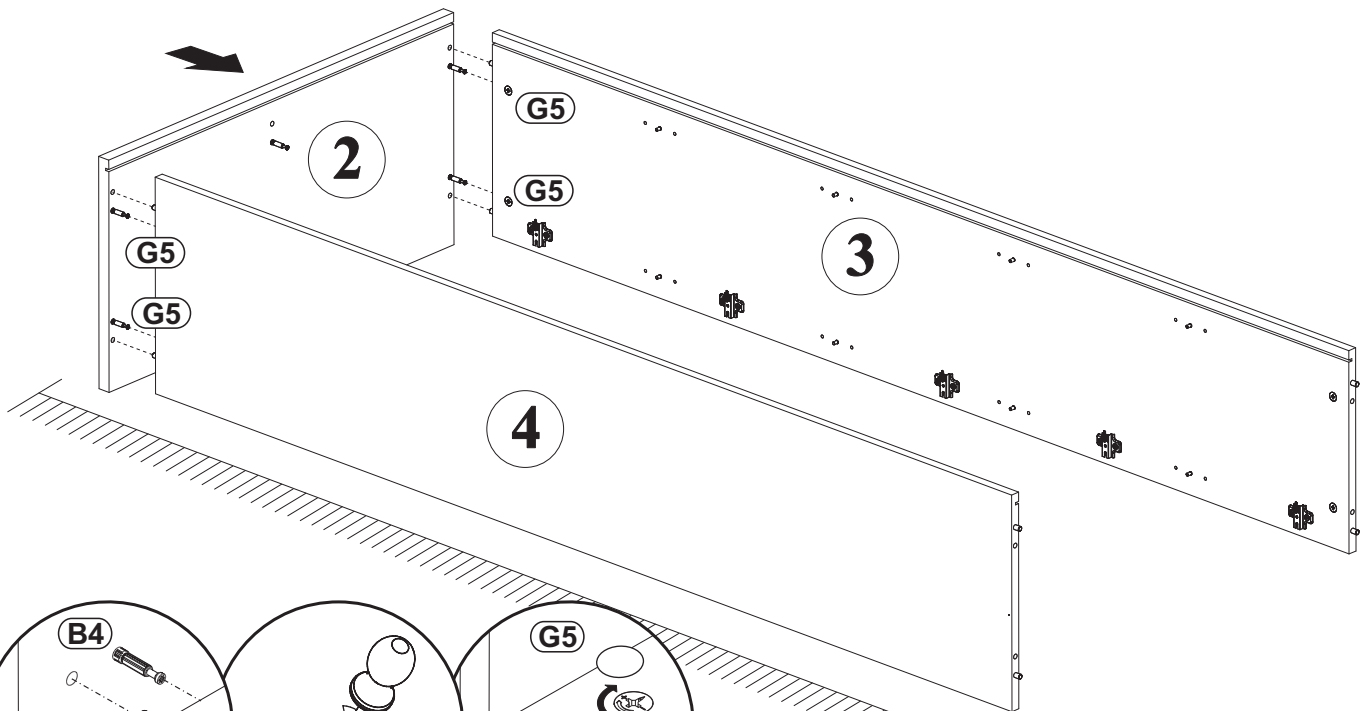
E21	
x4	Ø35 H=0


8



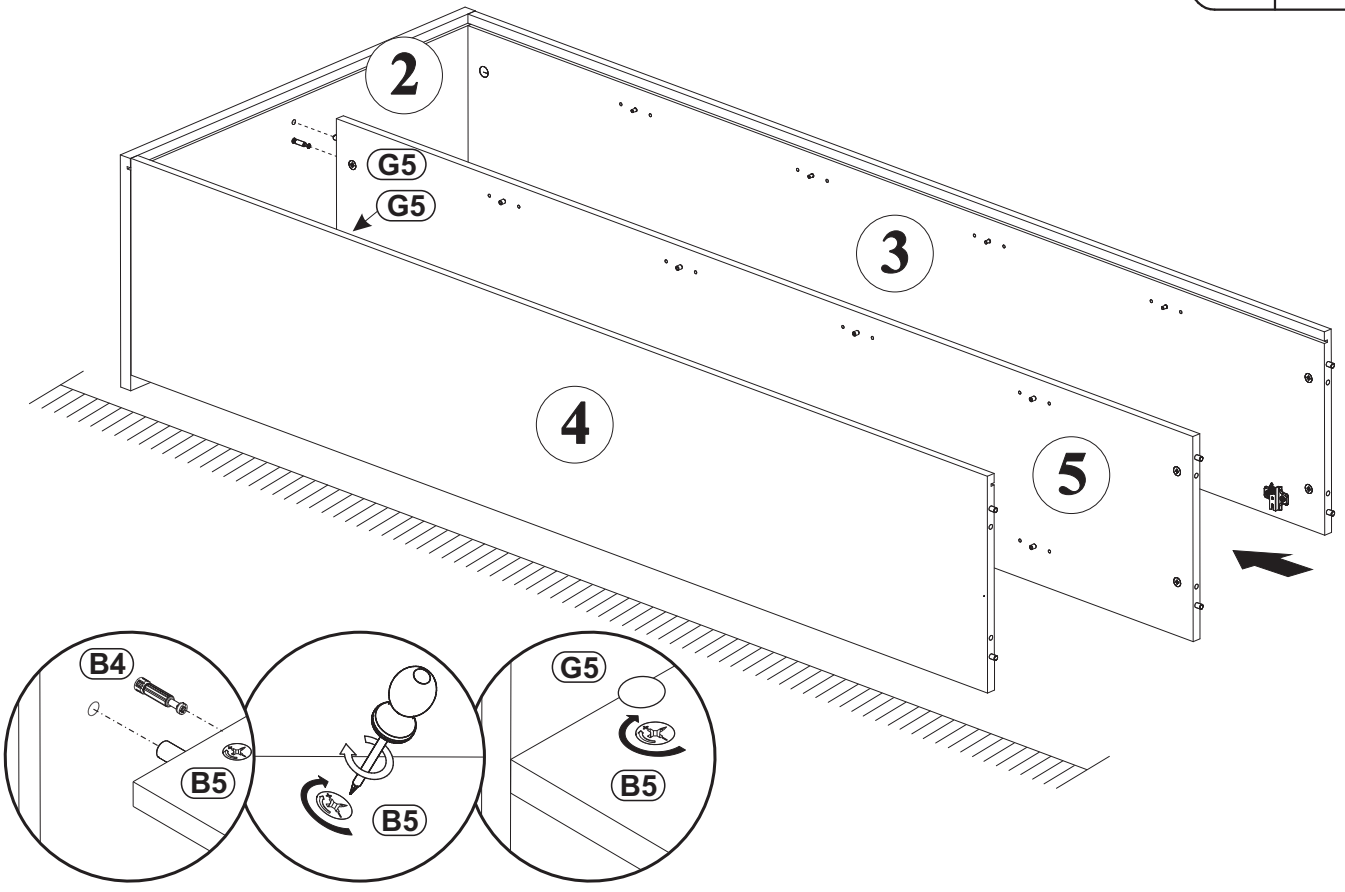
9

G5	
x4	

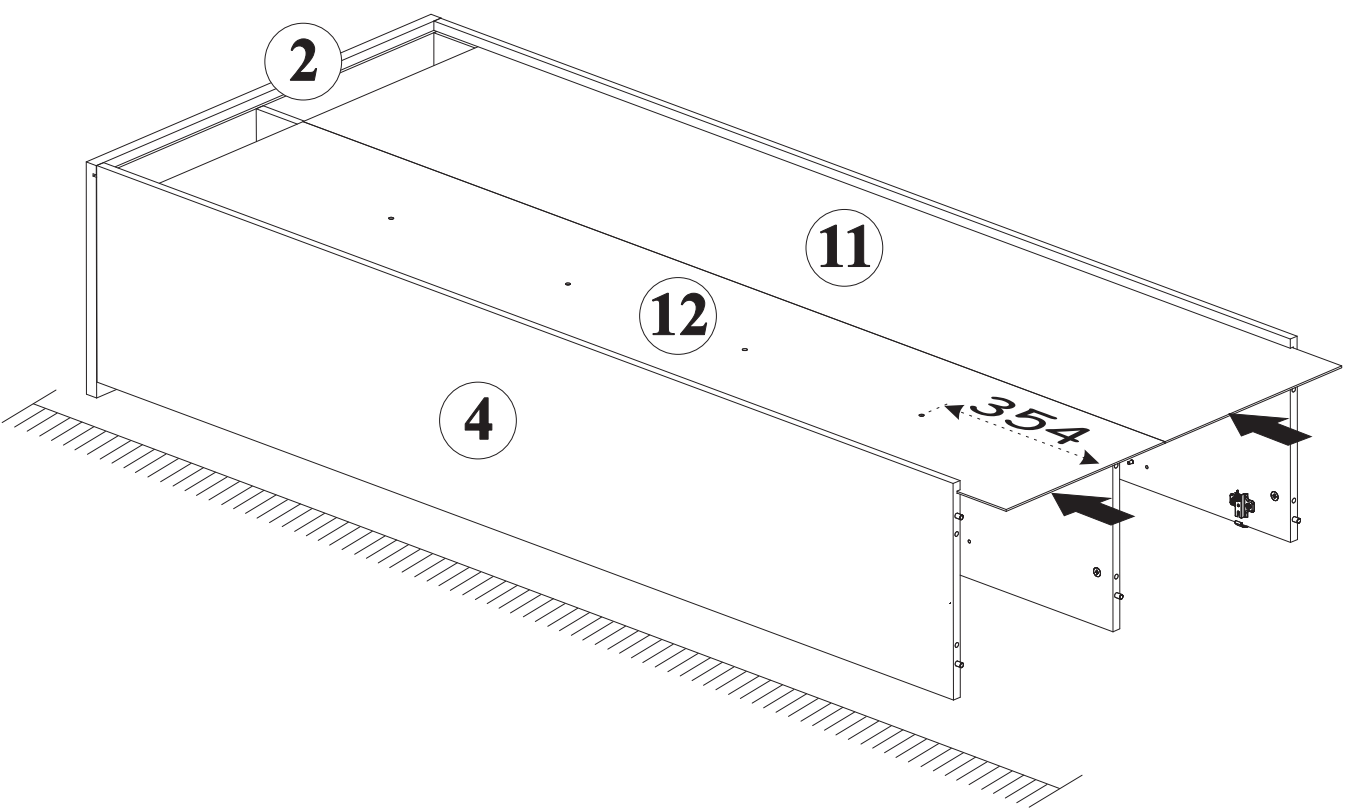


G5	
x2	

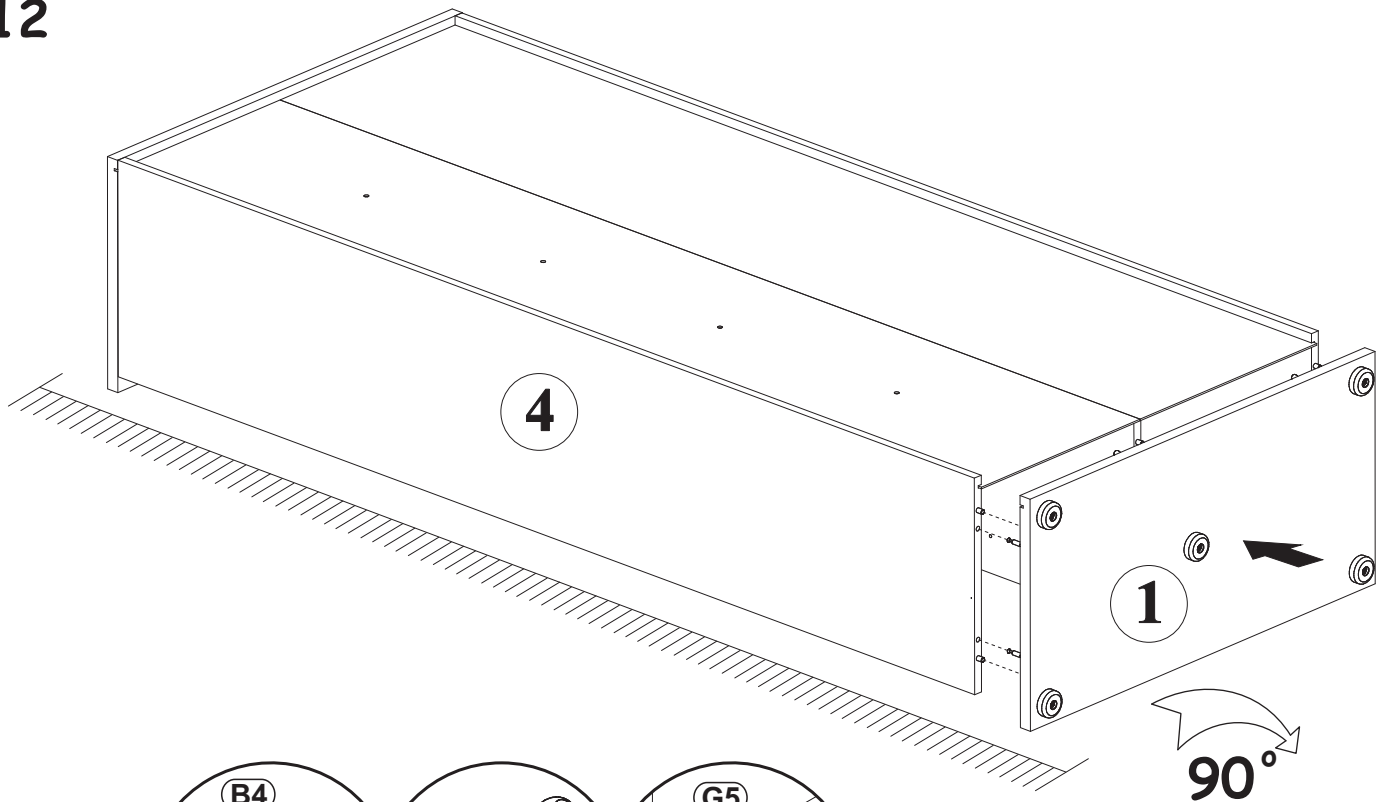
10



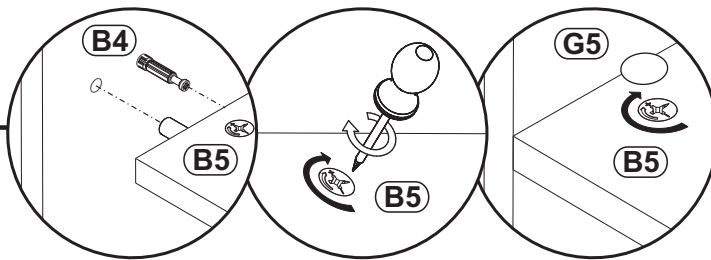
11




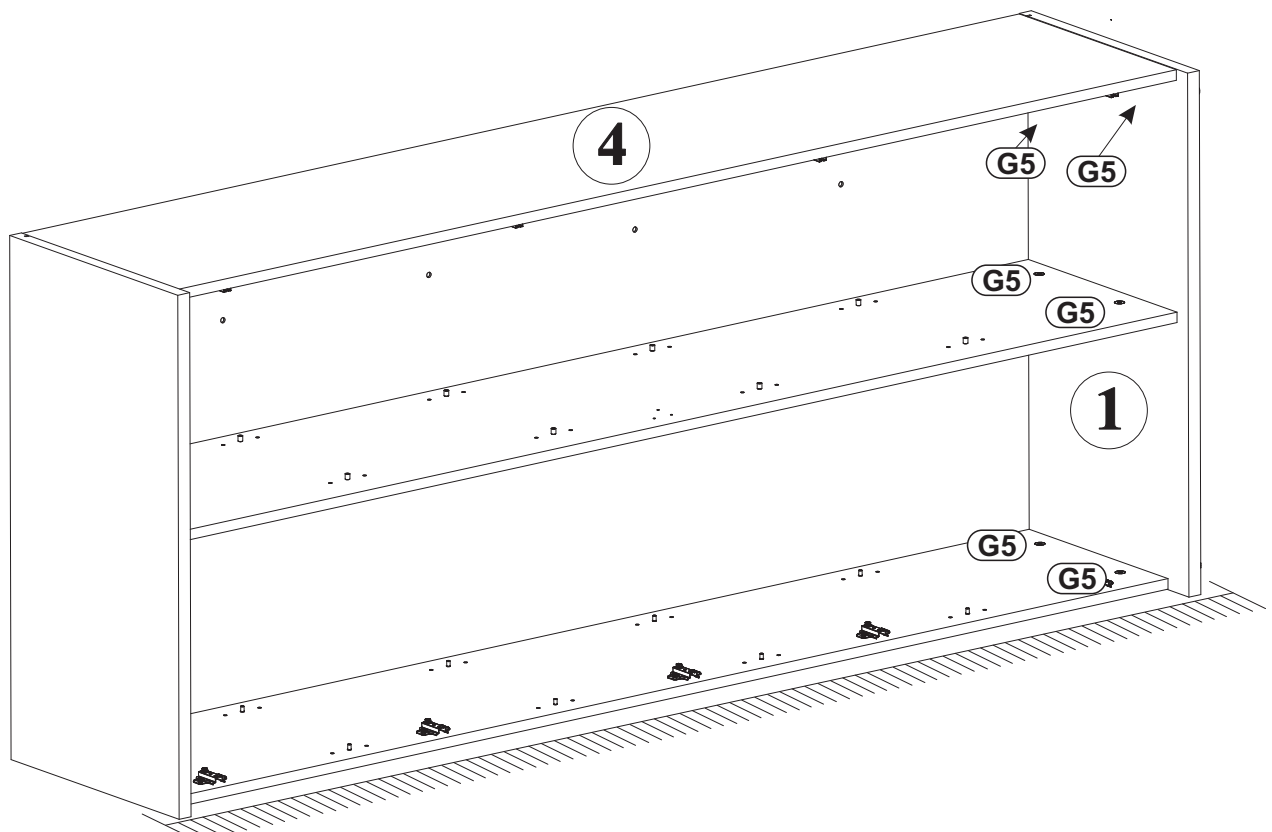
12

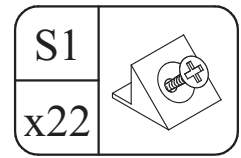
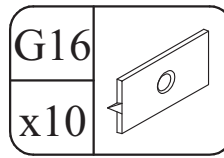
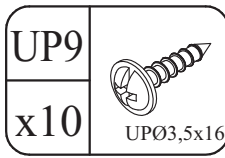


13

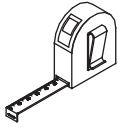


G5	
x6	

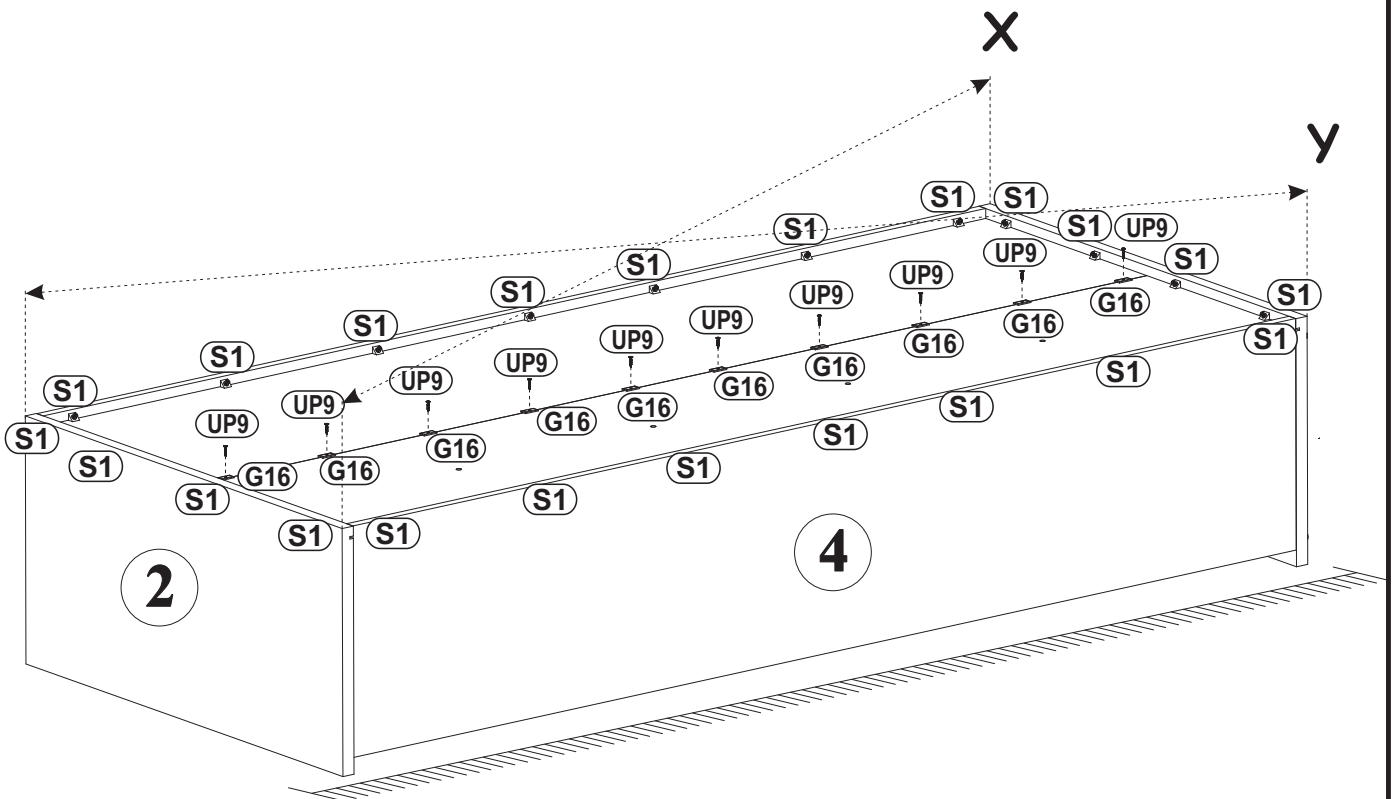
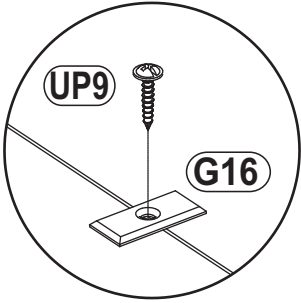




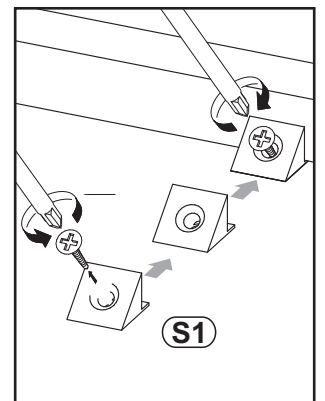
14



$X=Y$ 90°



90°



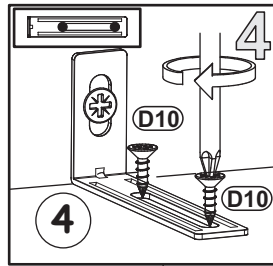
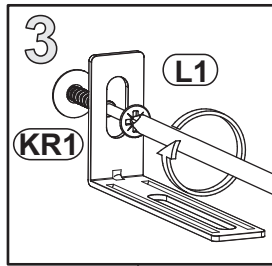
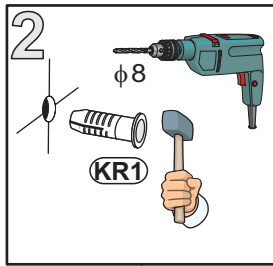
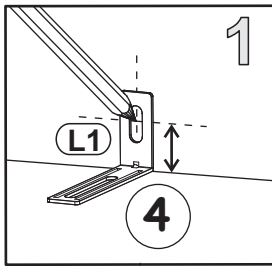
15

LED	
x1	1x4

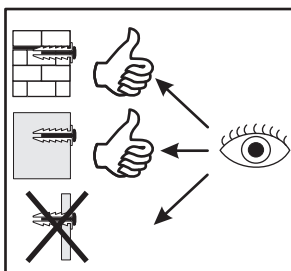
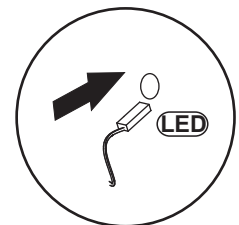
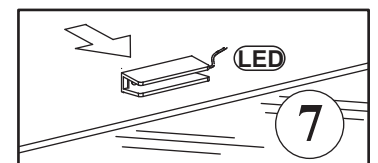
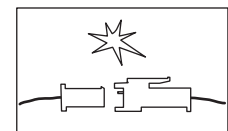
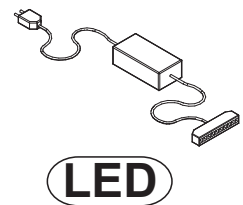
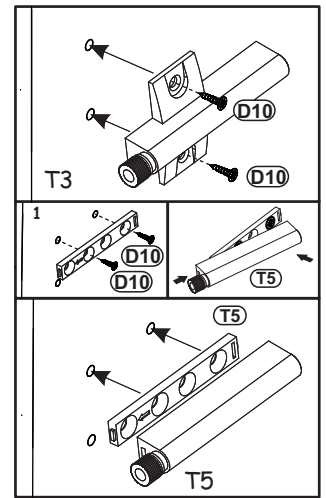
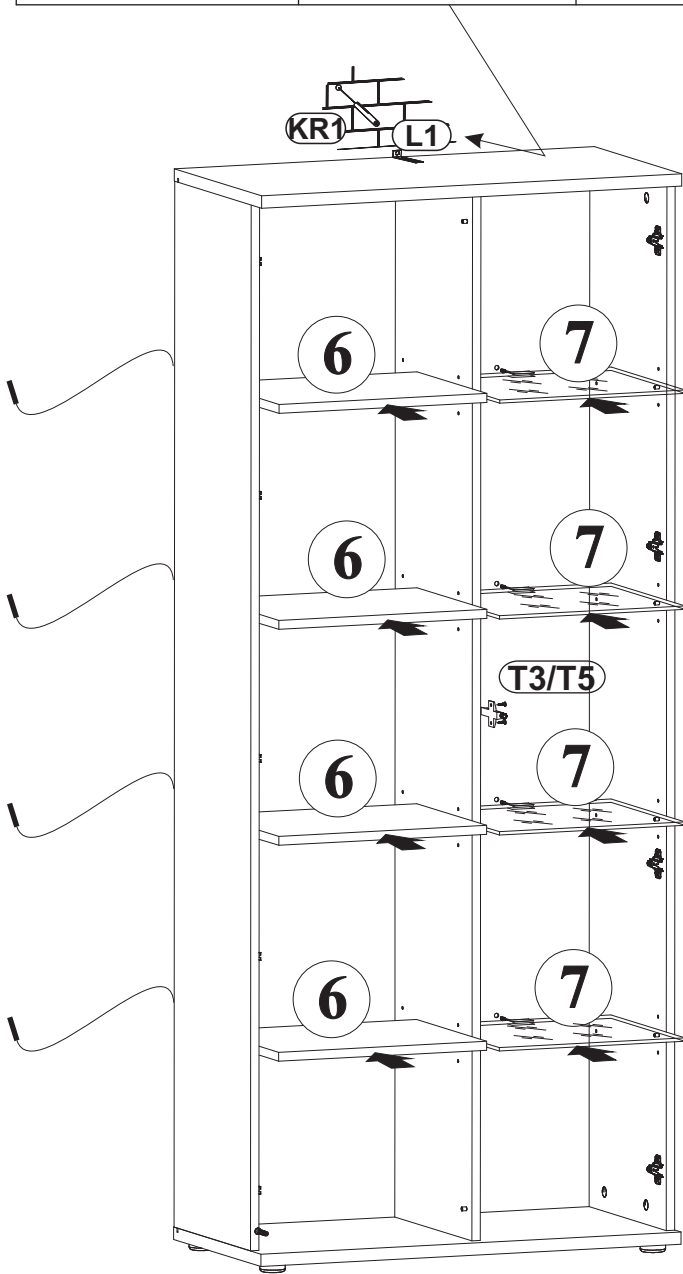
D10	
x4	USØ3,5x13

KR1	
x1	Ø8

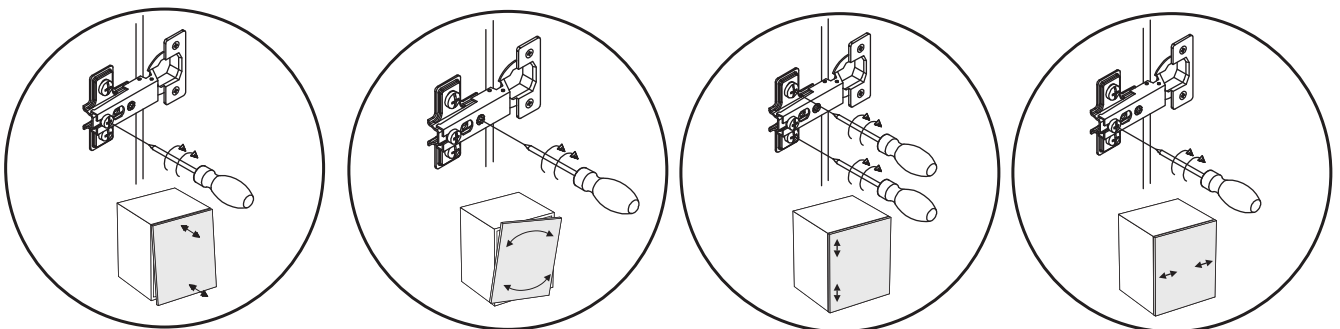
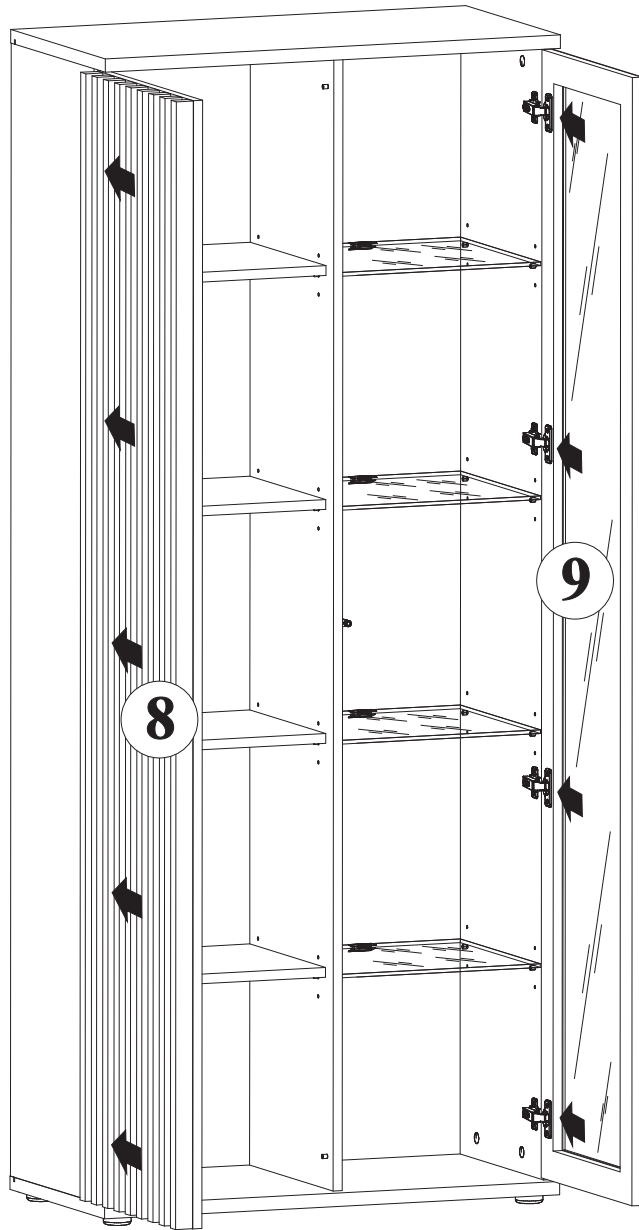
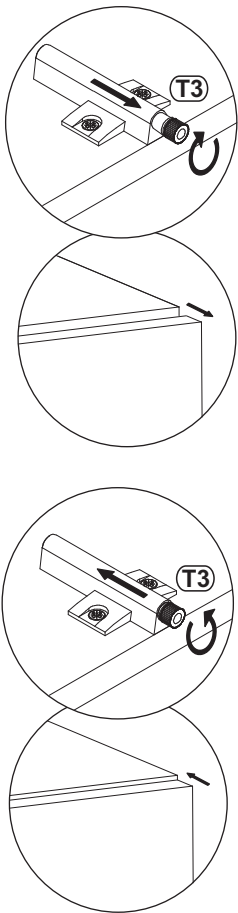
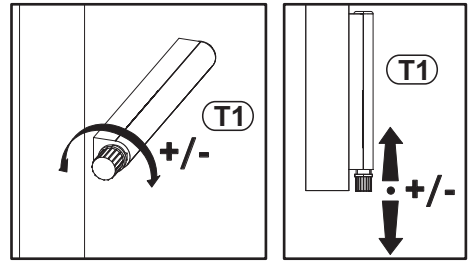
L1	
x1	



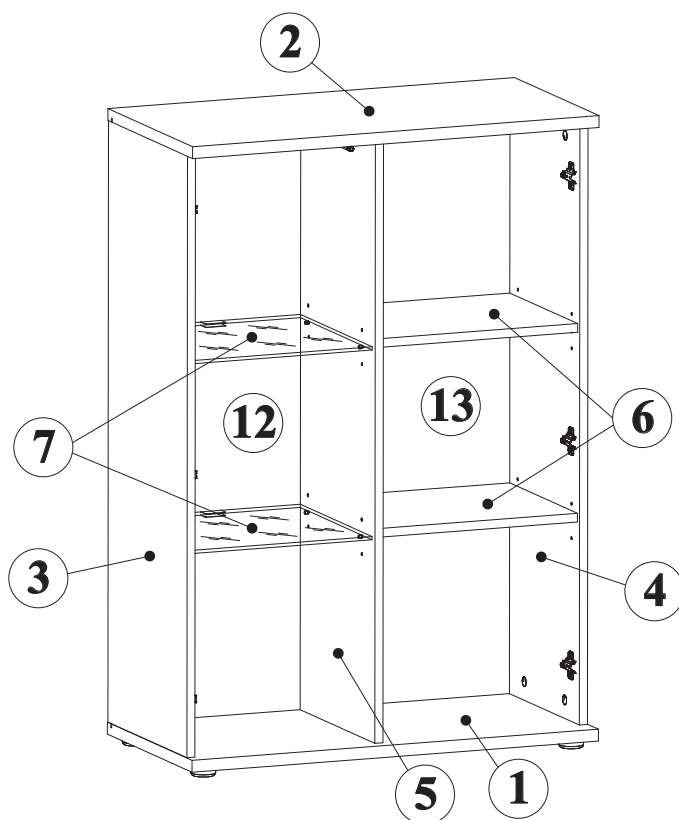
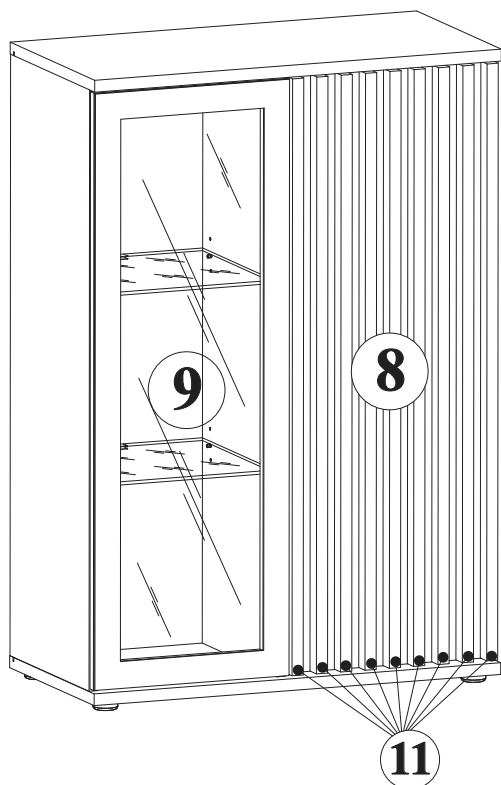
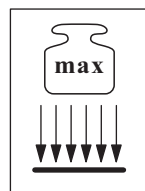
T3/T5	
x1	



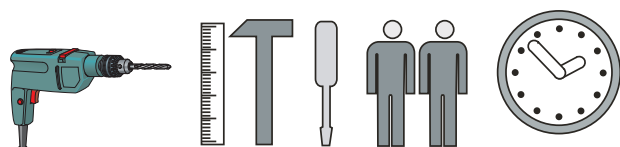
16



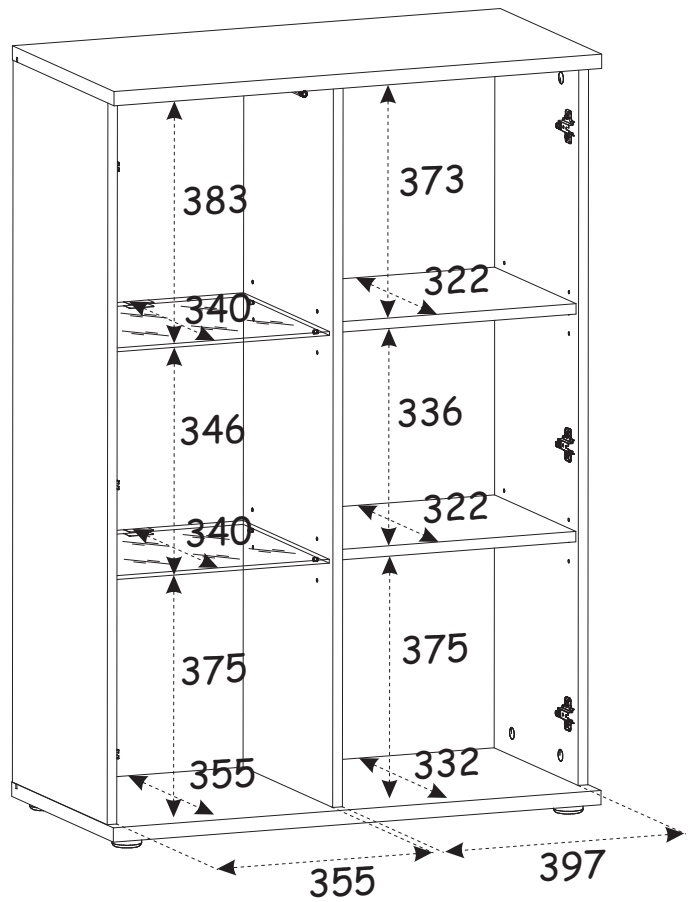
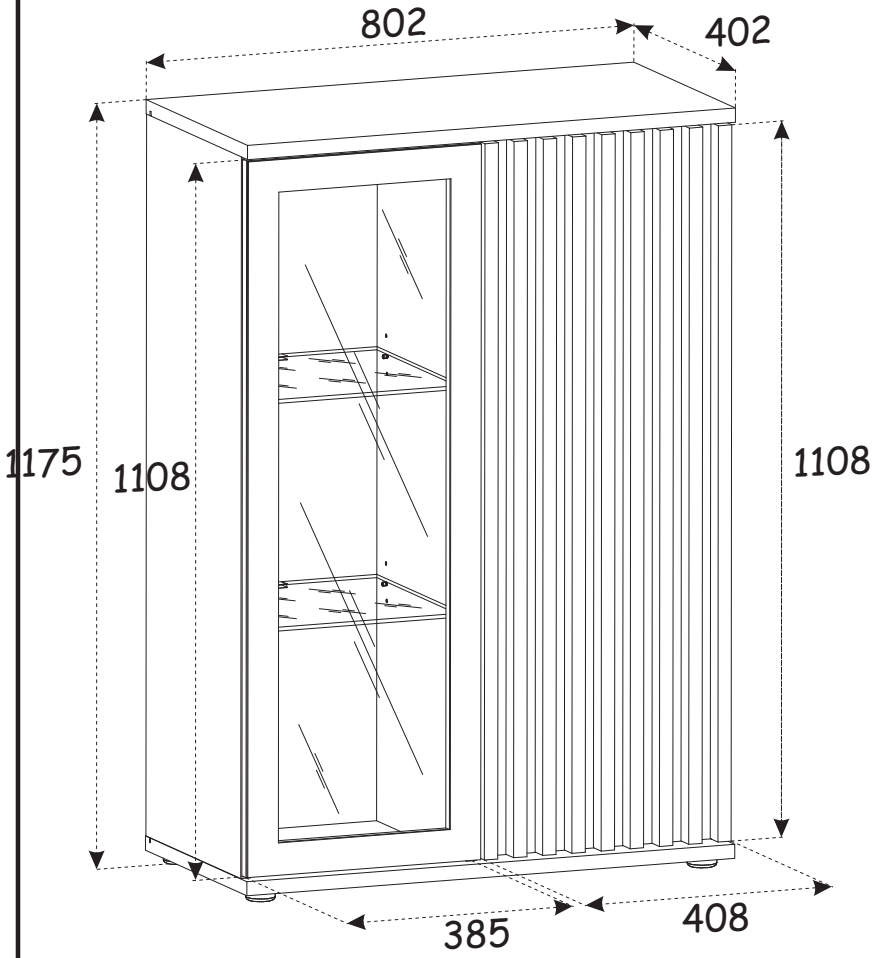
CAMERON ___ CM WSN

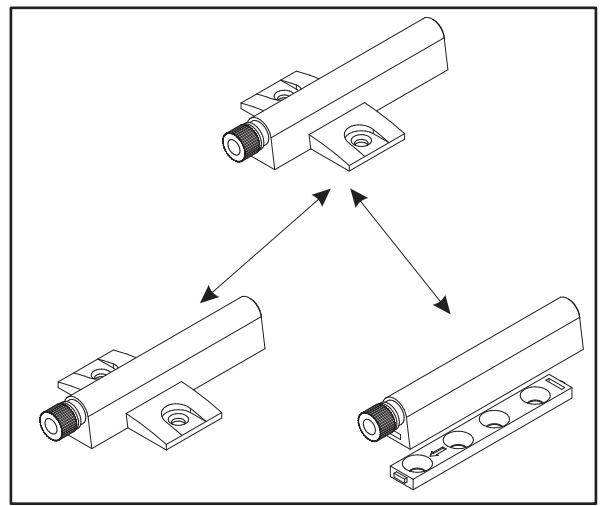
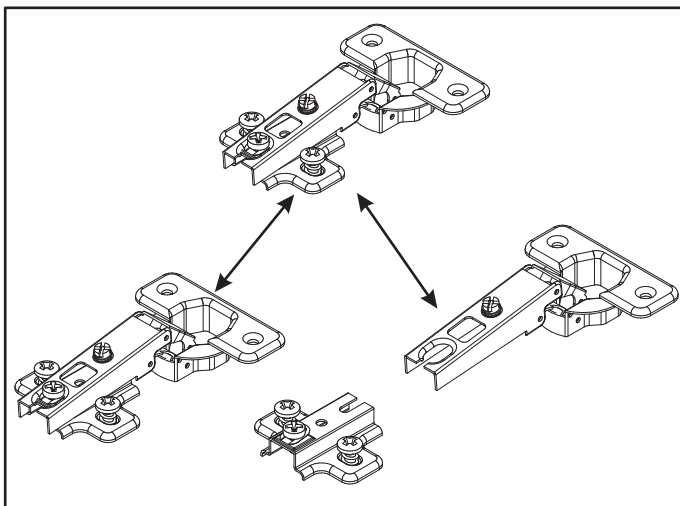
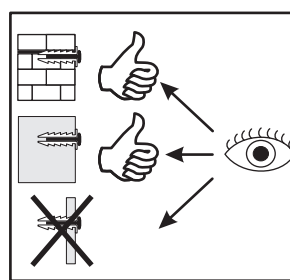
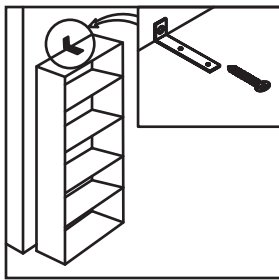
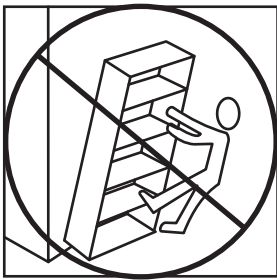
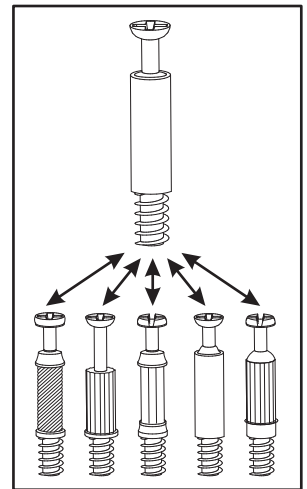
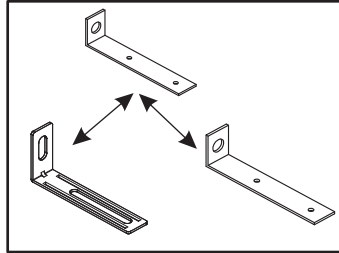
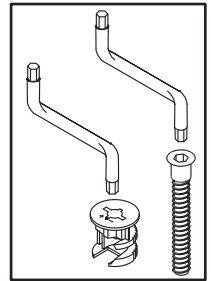
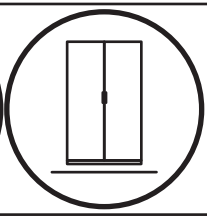
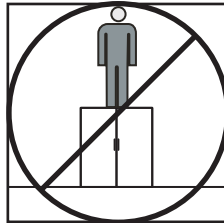
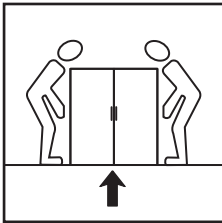
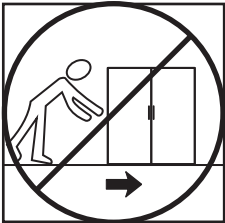
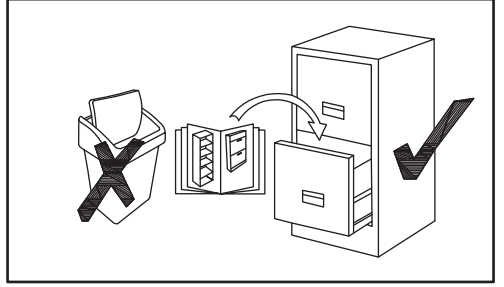
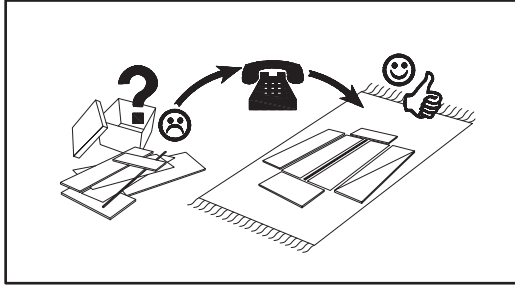
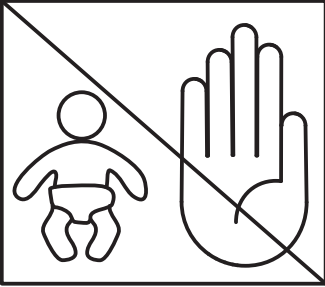
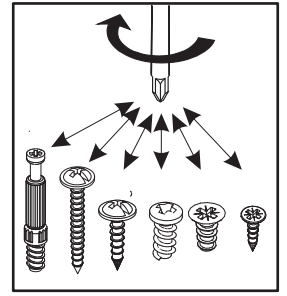
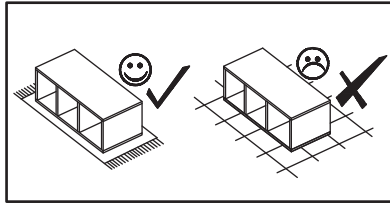
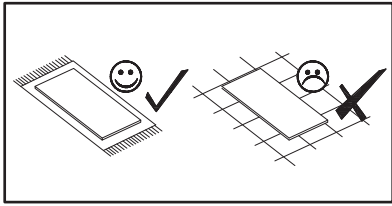


NO	Dim (mm)			Col.-No	Qty
1	802	402	22	1/2	1
2	802	402	22	1/2	1
3	1116	375	16	1/2	1
4	1116	352	16	1/2	1
5	1116	355	16	2/2	1
6	397	322	16	1/2	2
7	354	340	6	1/2	2
8	1108	408	16	2/2	1
9	1108	385	16	2/2	1
11	1107	30	22	2/2	9
12	1128	369	3	2/2	1
13	1128	411	3	2/2	1



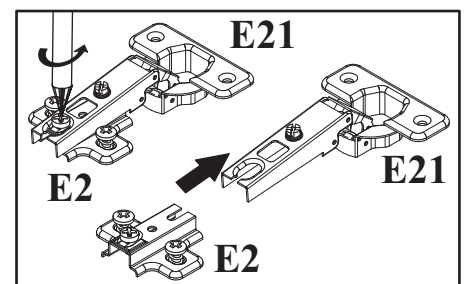
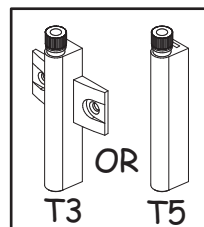
120 min



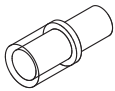


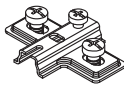
CAMERON ___ CM WSN

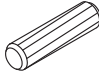
A1 x12 ø8x36	B22 x27 Ø7x40	G4 x24	B4 x12	B5 x12 Ø15x12	G5 x12
E21 x6 Ø35 H=0	E2 x6 H=0	T3/T5 x1	LED x1 1x2	S1 x18	G16 x6
G7 x8	G20 x10	I11 x5 Ø45, h=15	UP11 x5 UPØ4x20	D10 x16 USØ3,5x13	UP9 x6 UPØ3,5x16
KR1 x1 Ø8	L1 x1	G2 x1	G12 x3 Ø14		

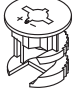


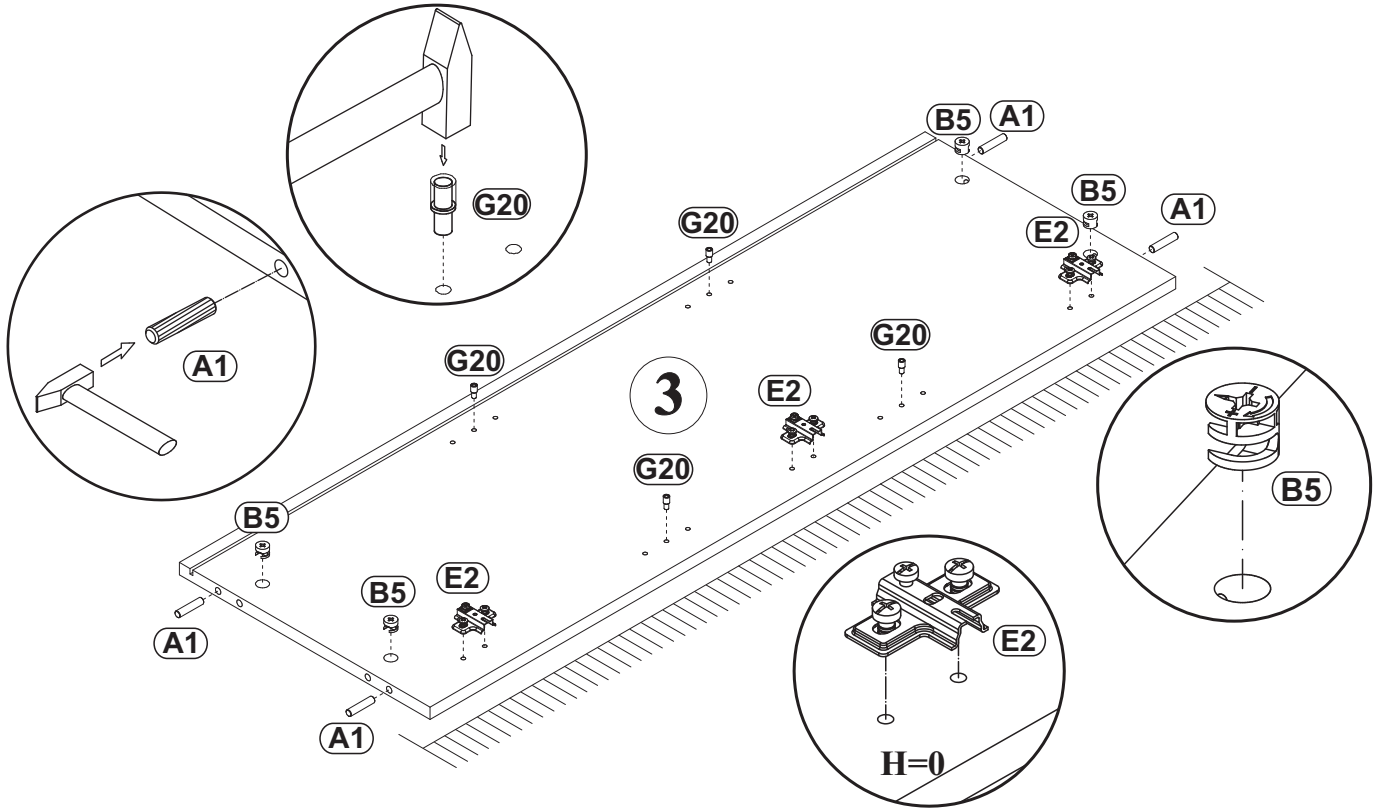
1

G20	
x4	

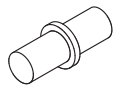
E2	
x3	H=0

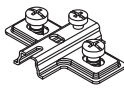
A1	
x4	ø8x36

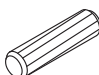
B5	
x4	Ø15x12

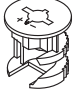


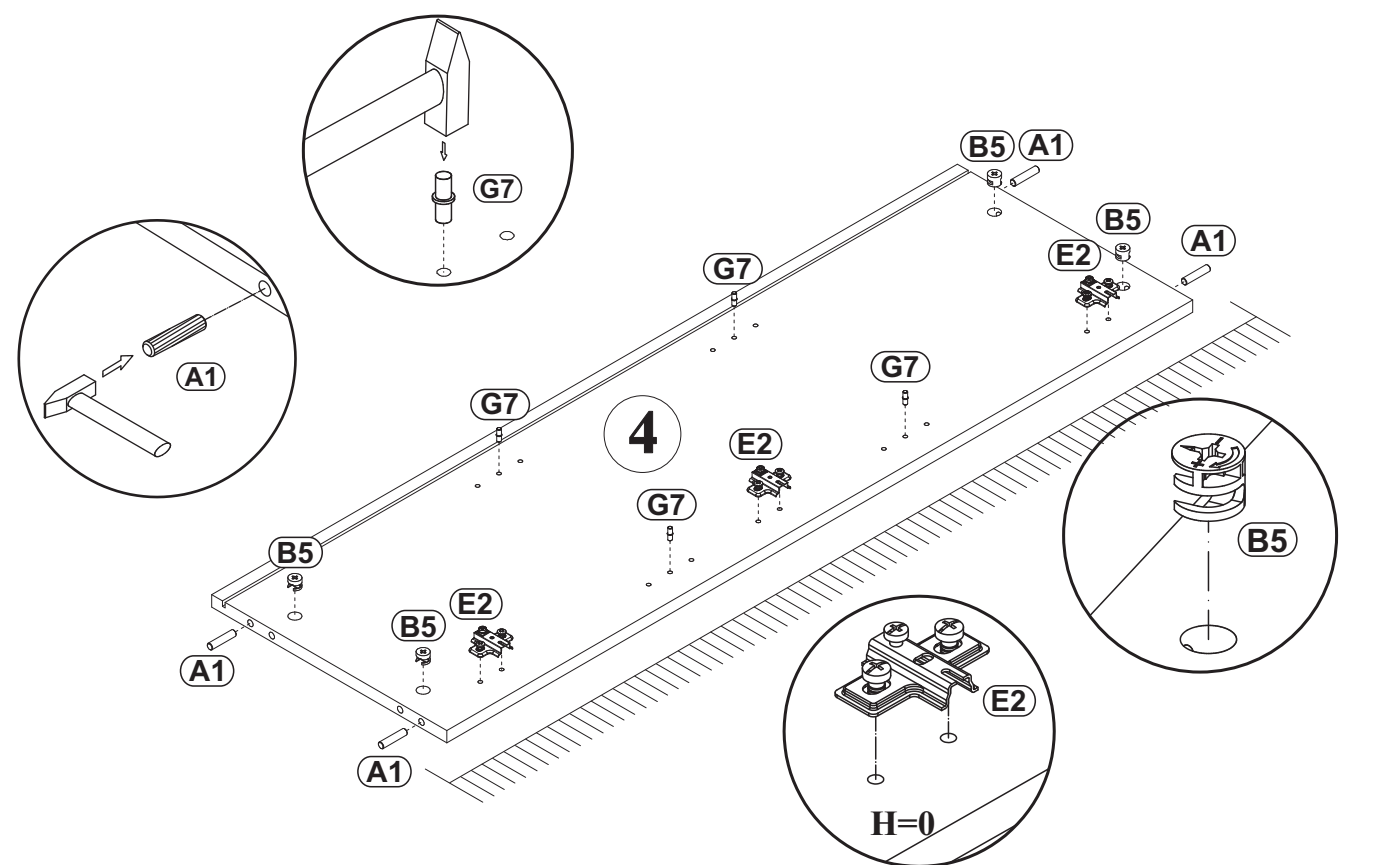
2

G7	
x4	

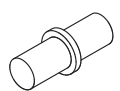
E2	
x3	H=0

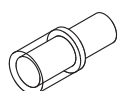
A1	
x4	ø8x36

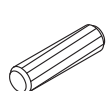
B5	
x4	Ø15x12

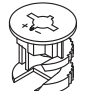


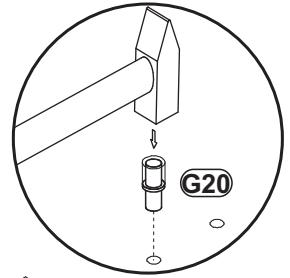
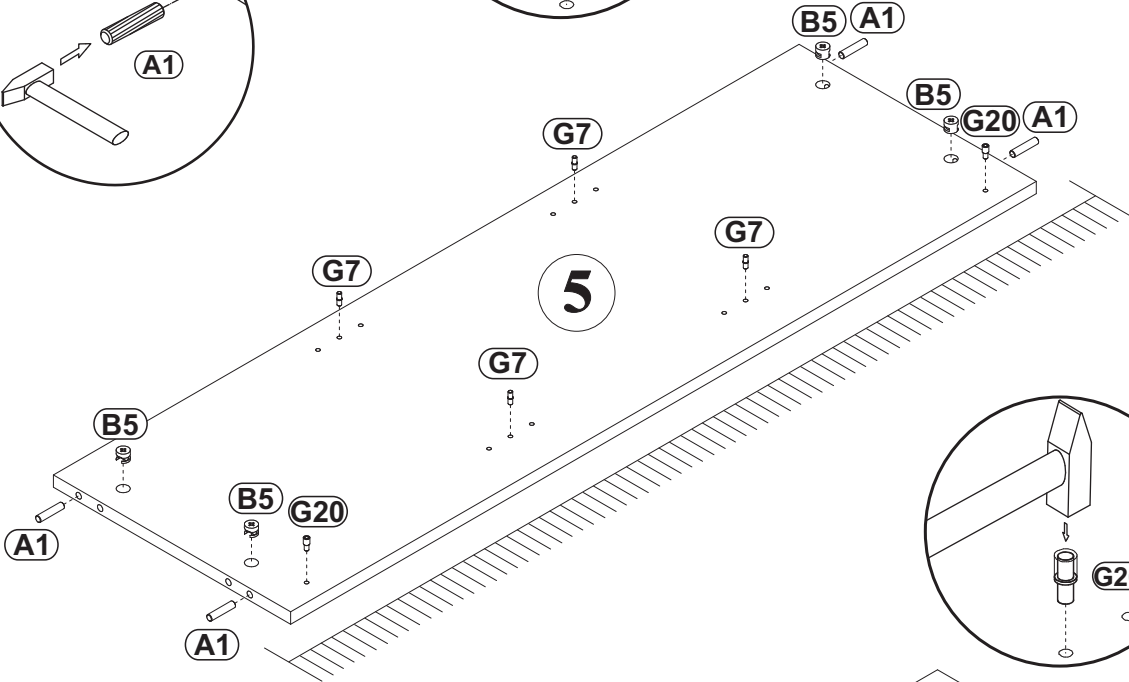
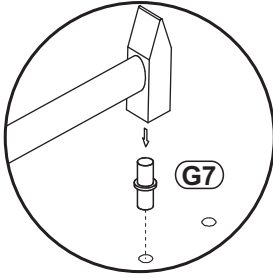
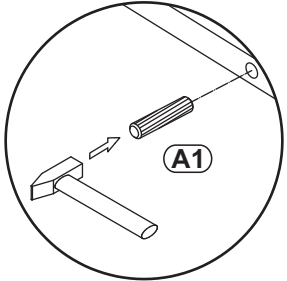
3

G7	
x4	

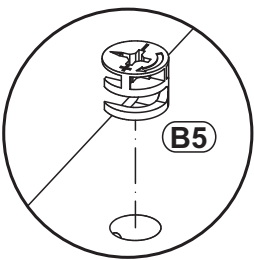
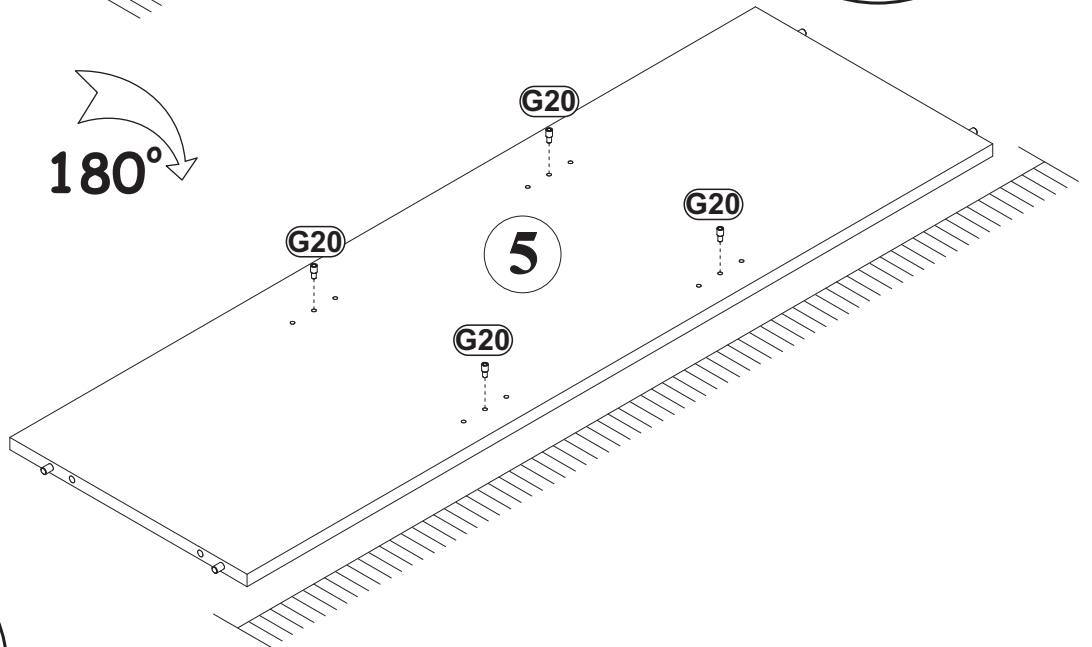
G20	
x6	

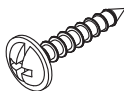
A1	
x4	ø8x36


B5	
x4	Ø15x12

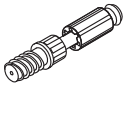


180°

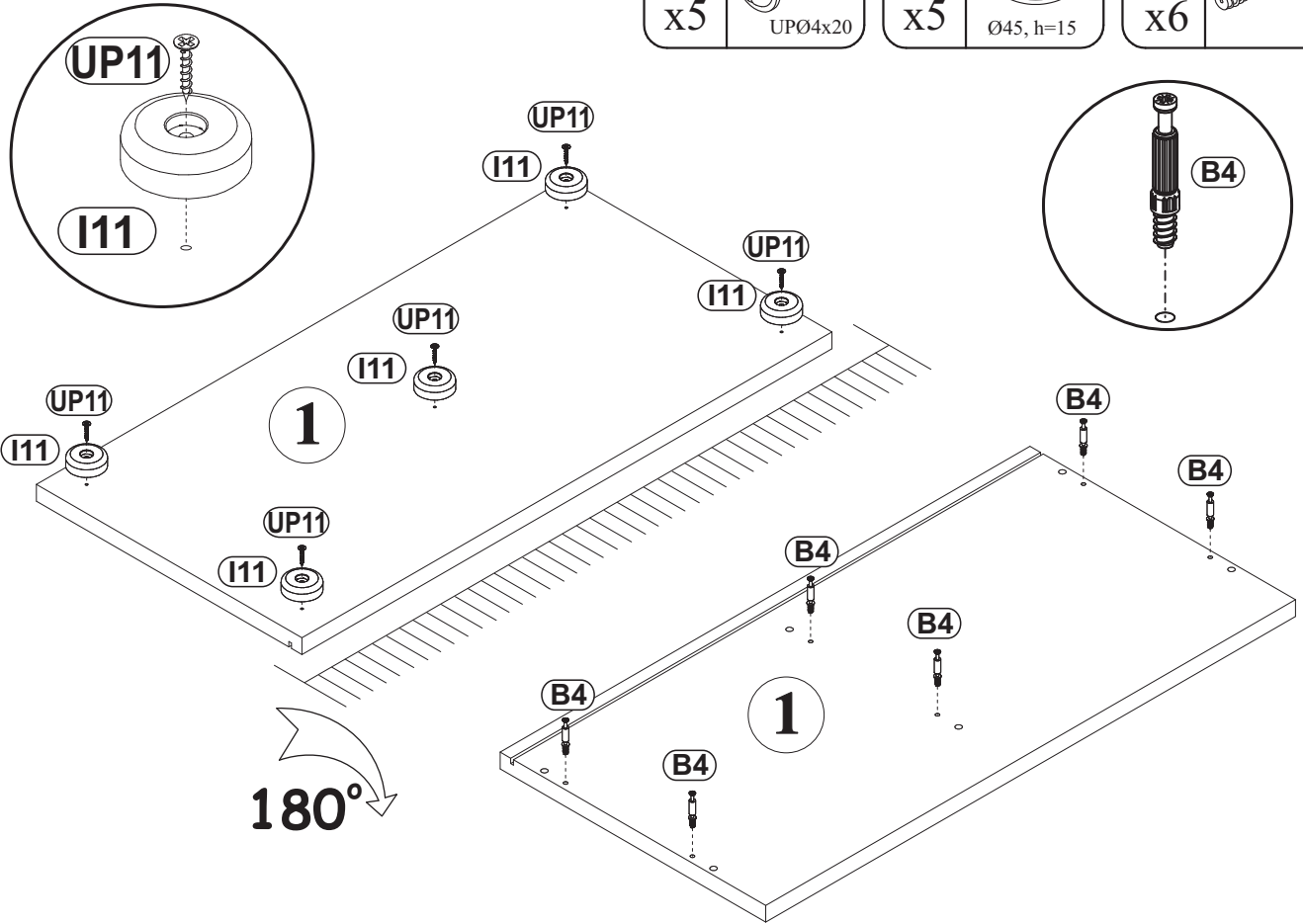


UP11	
x5	UPØ4x20

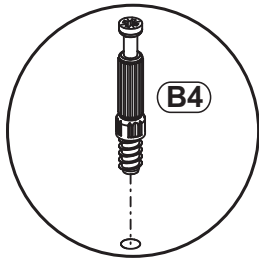
I11	
x5	Ø45, h=15


B4	
x6	

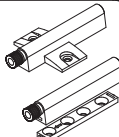
4

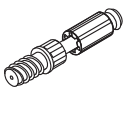


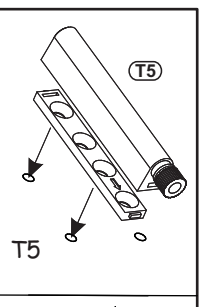
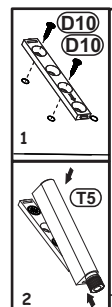
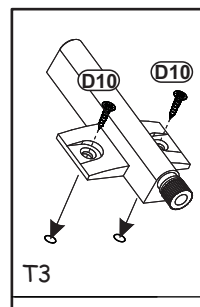
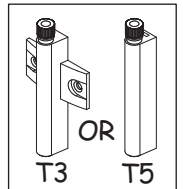
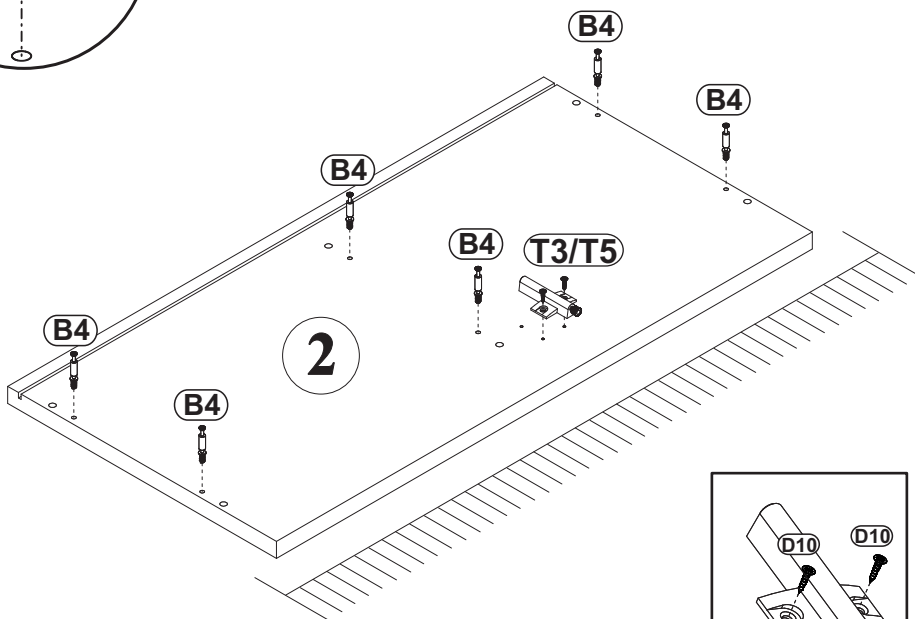
5



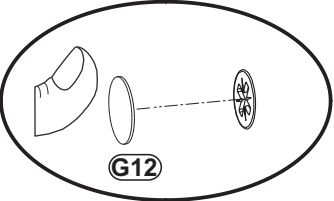
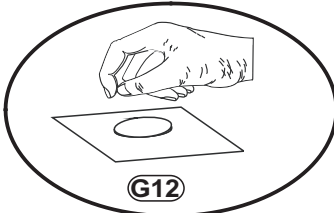
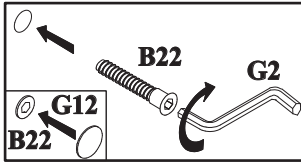
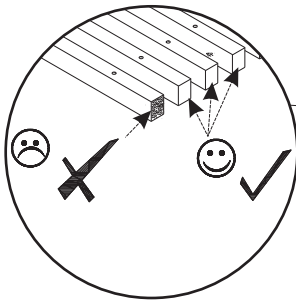
D10	
x2	USØ3,5x13

T3/T5	
x1	

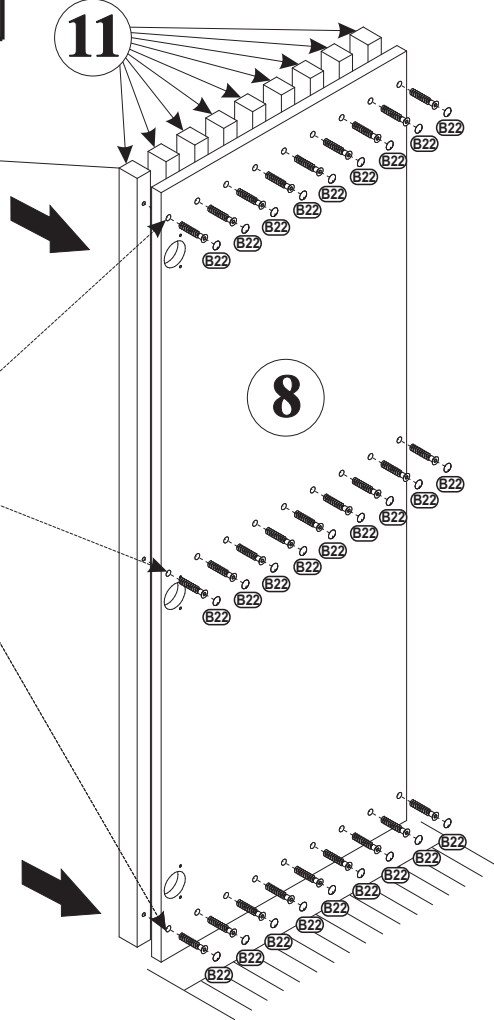
B4	
x6	



6



11

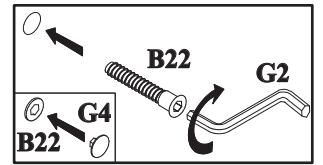
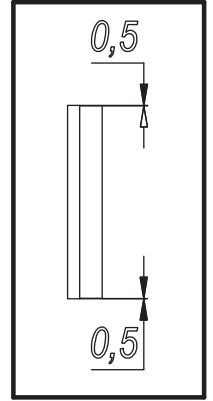


G4	
x24	

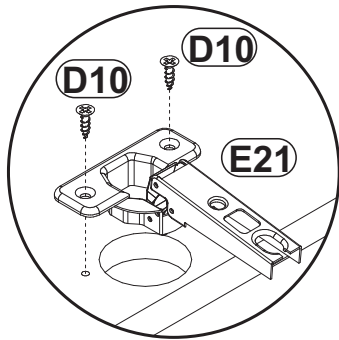
B22	
x27	Ø7x40

G12	
x3	Ø14

G2	
x1	

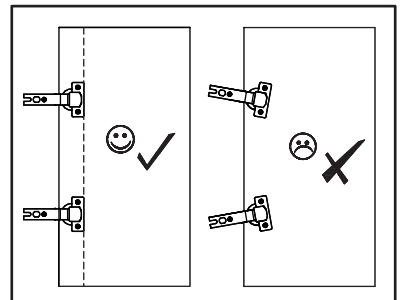
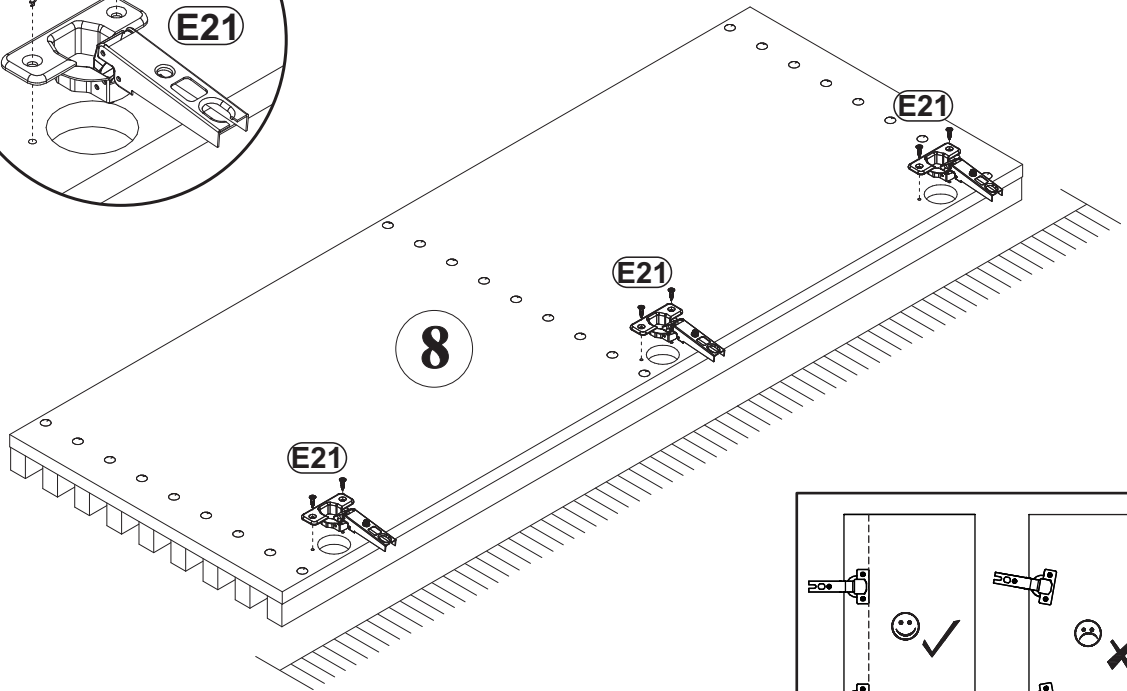



7

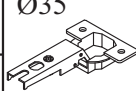


D10	
x6	USØ3,5x13

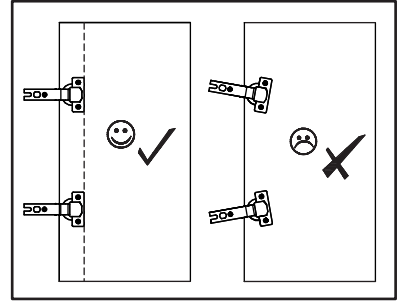
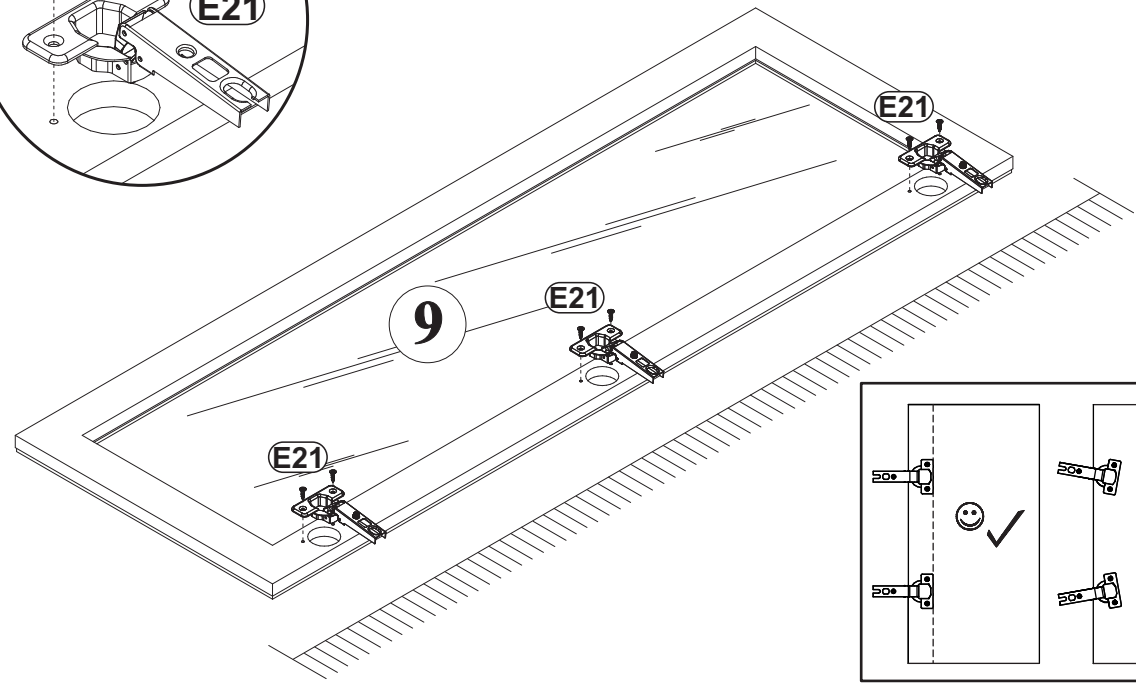
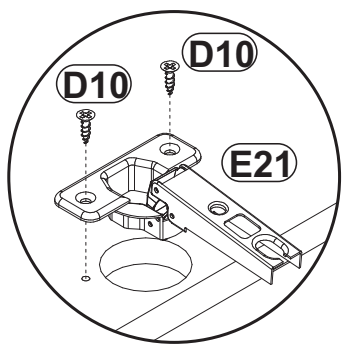
E21	
x3	Ø35 H=0




D10	
x6	USØ3,5x13

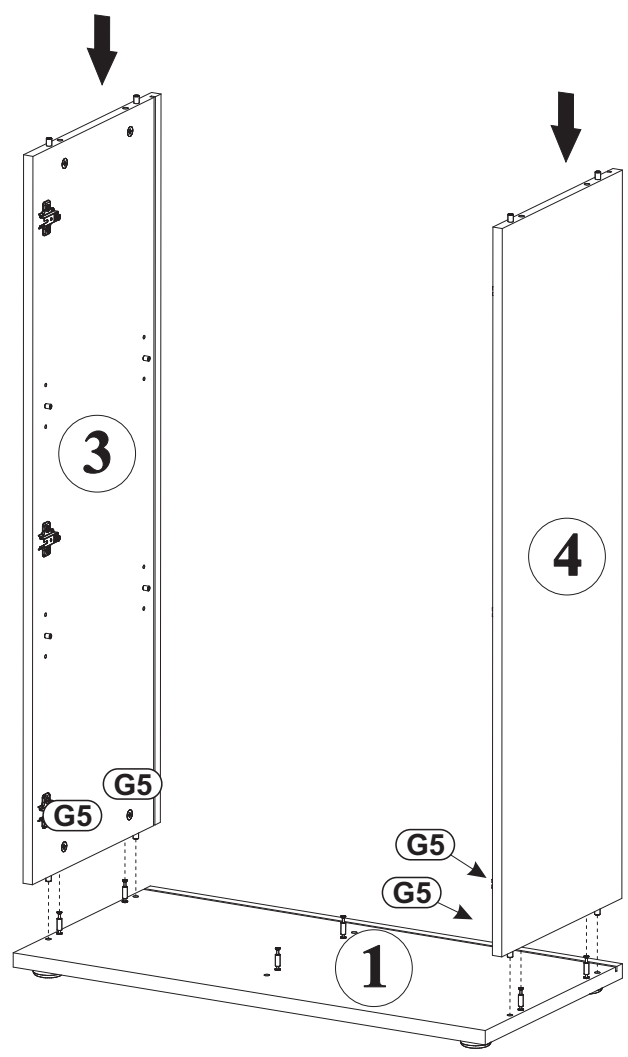
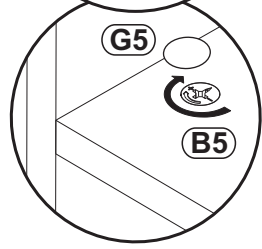
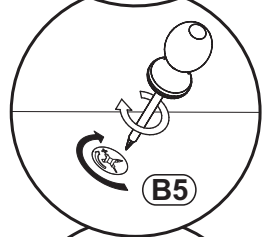
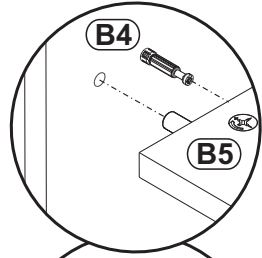
E21	Ø35
x3	
H=0	


8



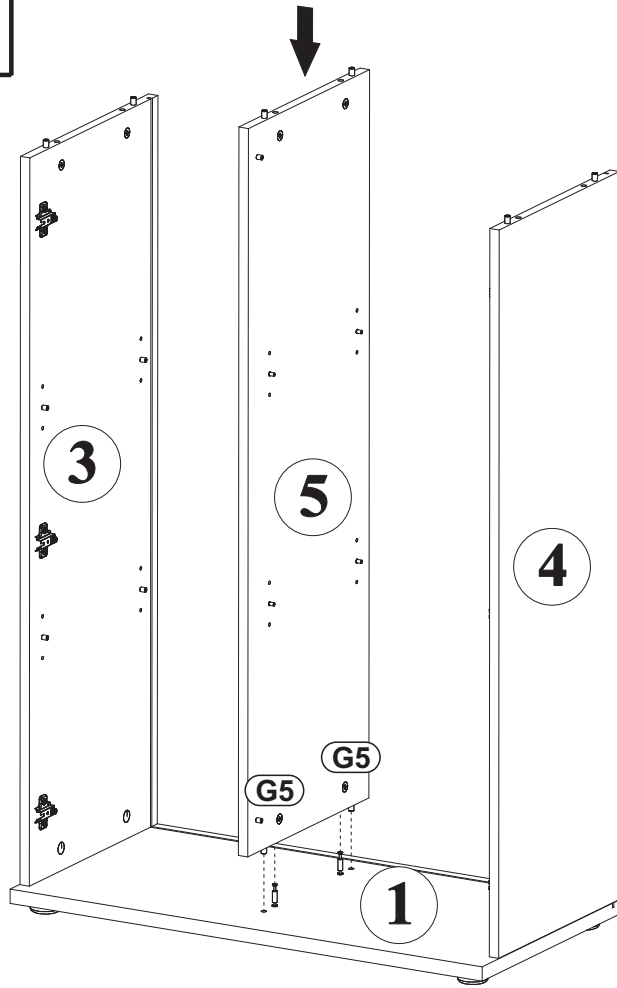
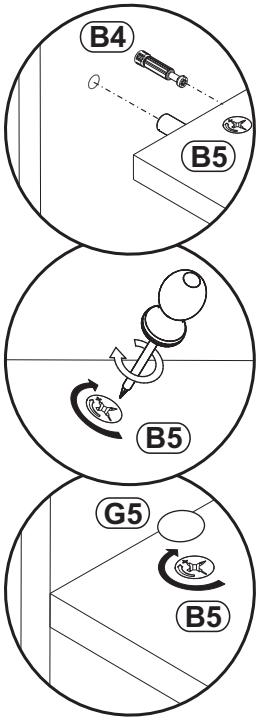
9

G5	
x4	

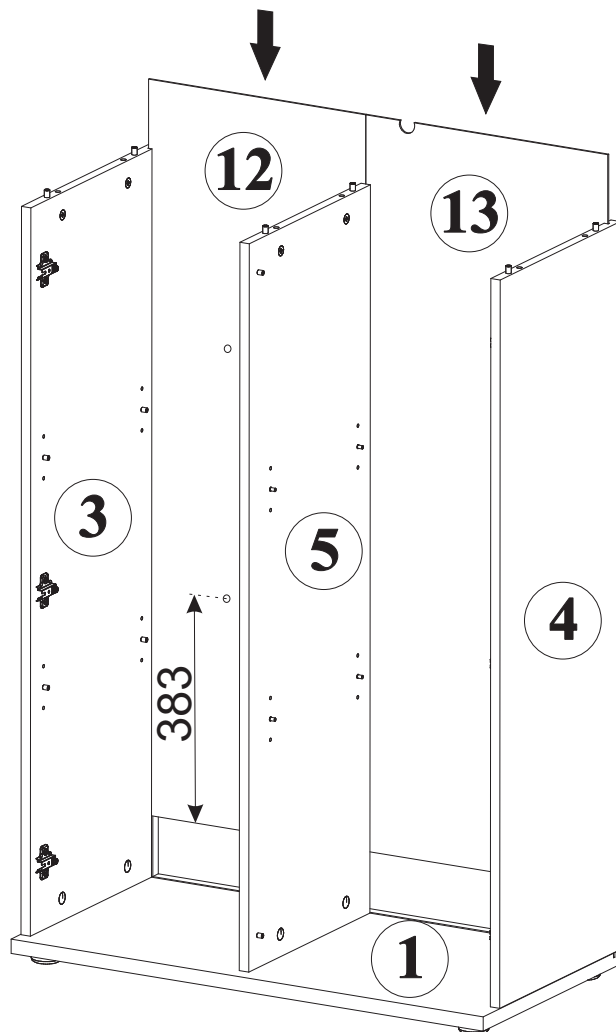


G5	
x2	

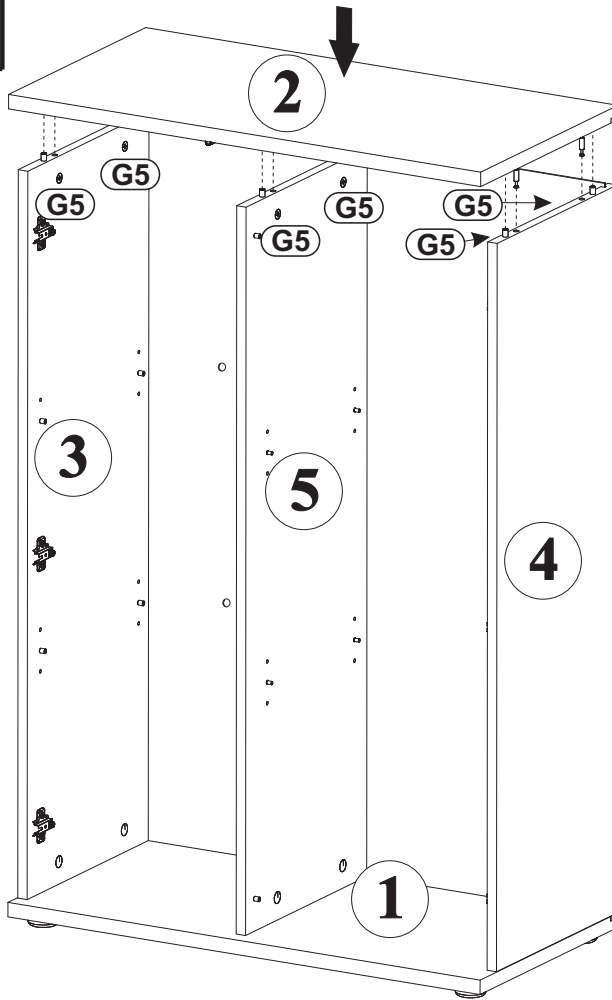
10



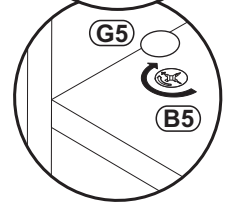
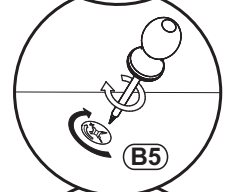
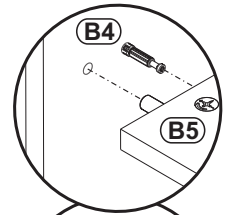
11



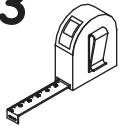
12



G5	
x6	



13

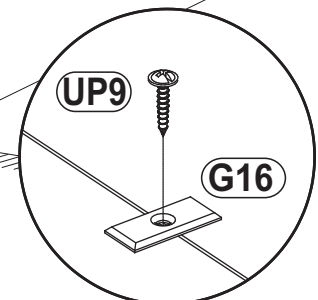
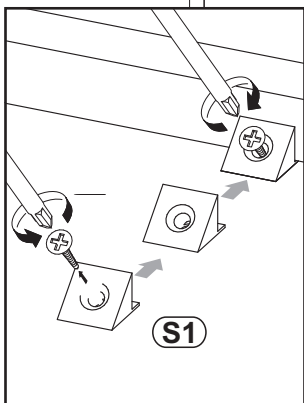
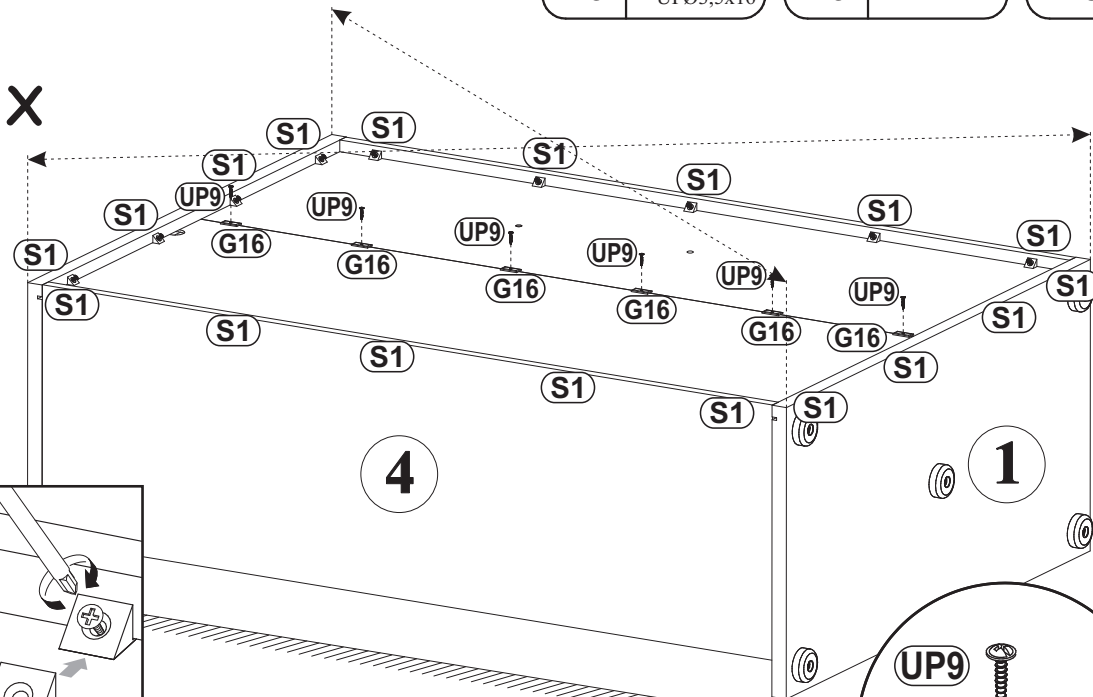


$X=Y$ 90°

UP9	
x6	UPØ3,5x16

G16	
x6	

S1	
x18	



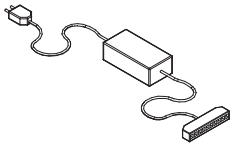
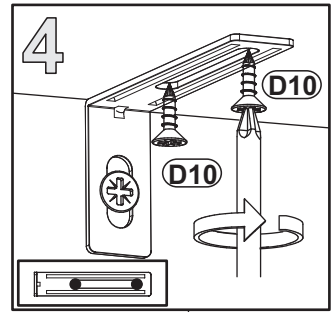
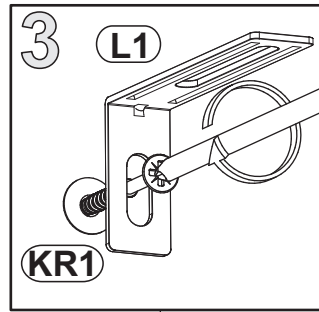
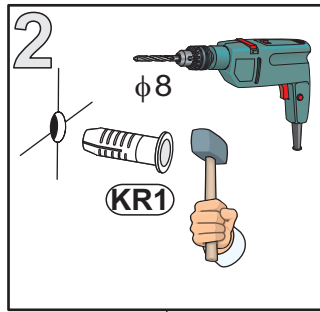
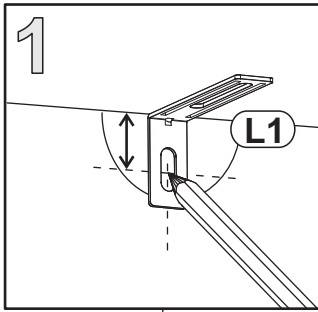
14

LED	
x1	1x2

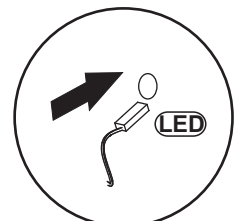
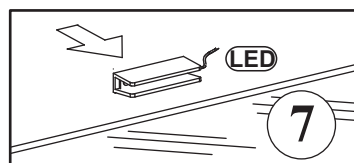
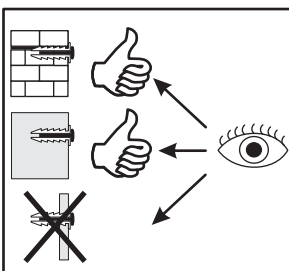
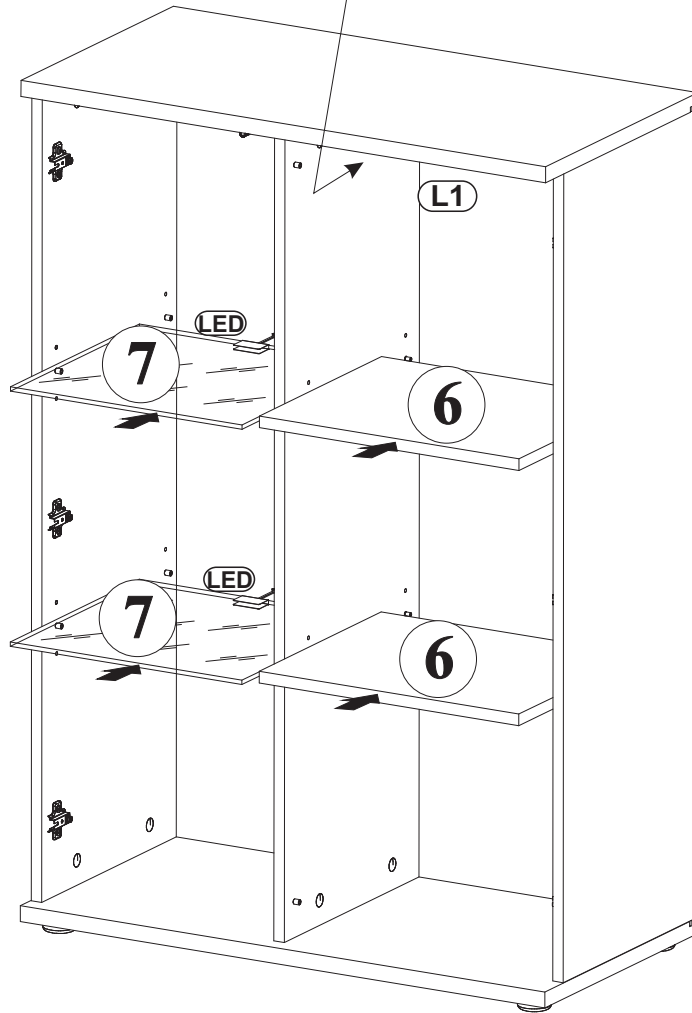
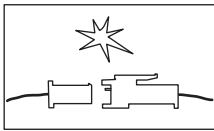
D10	
x2	USØ3,5x13

KR1	
x1	Ø8

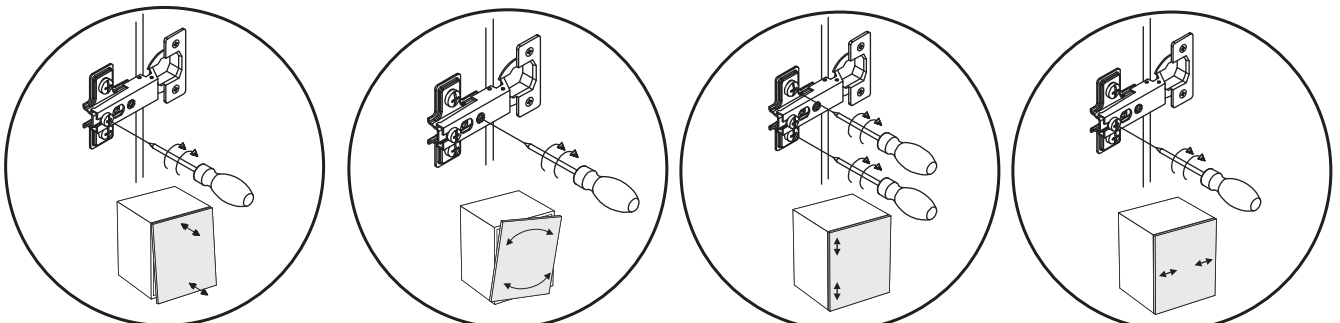
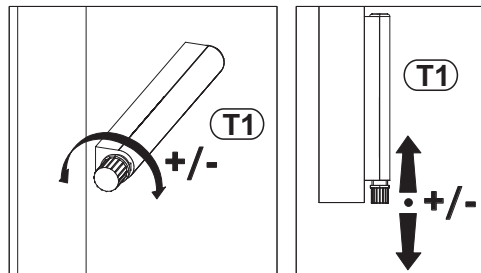
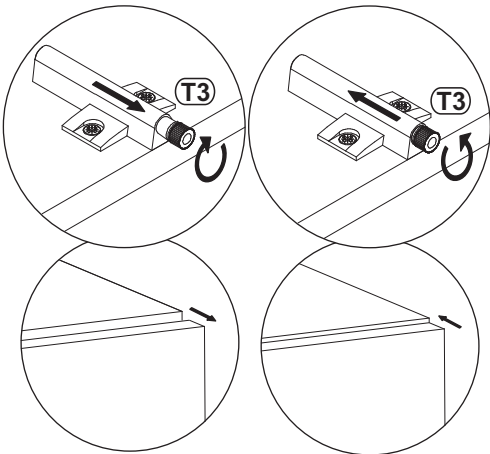
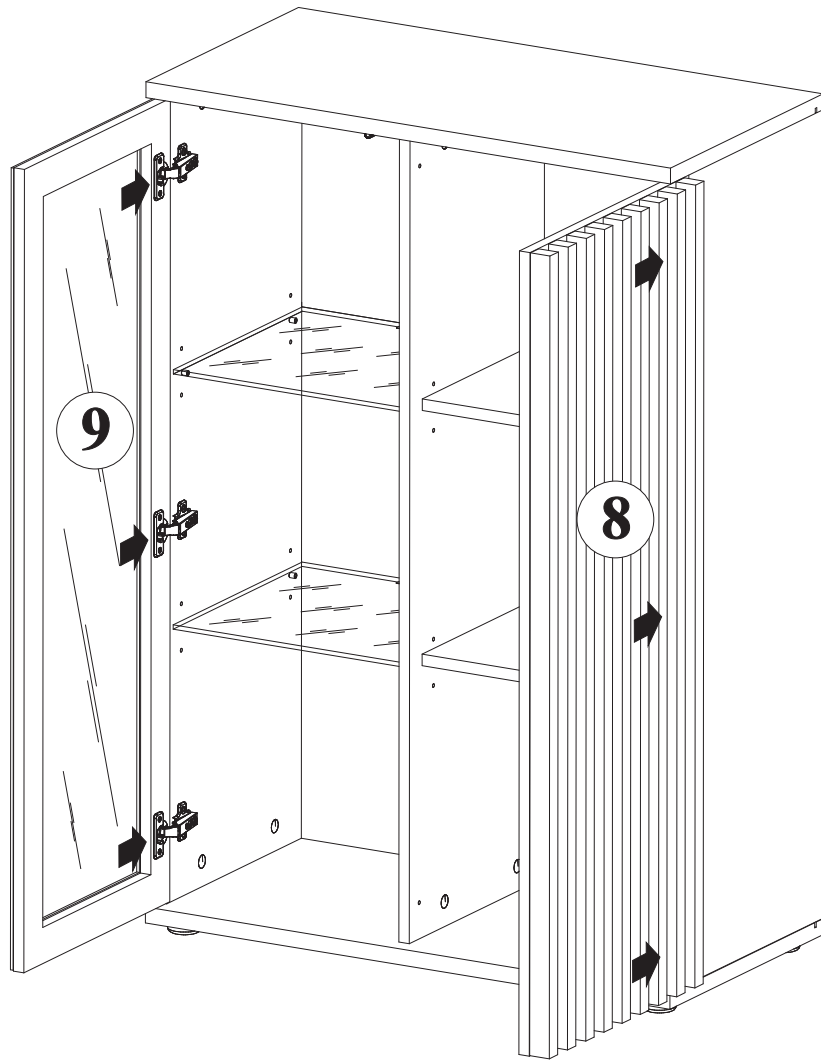
L1	
x1	



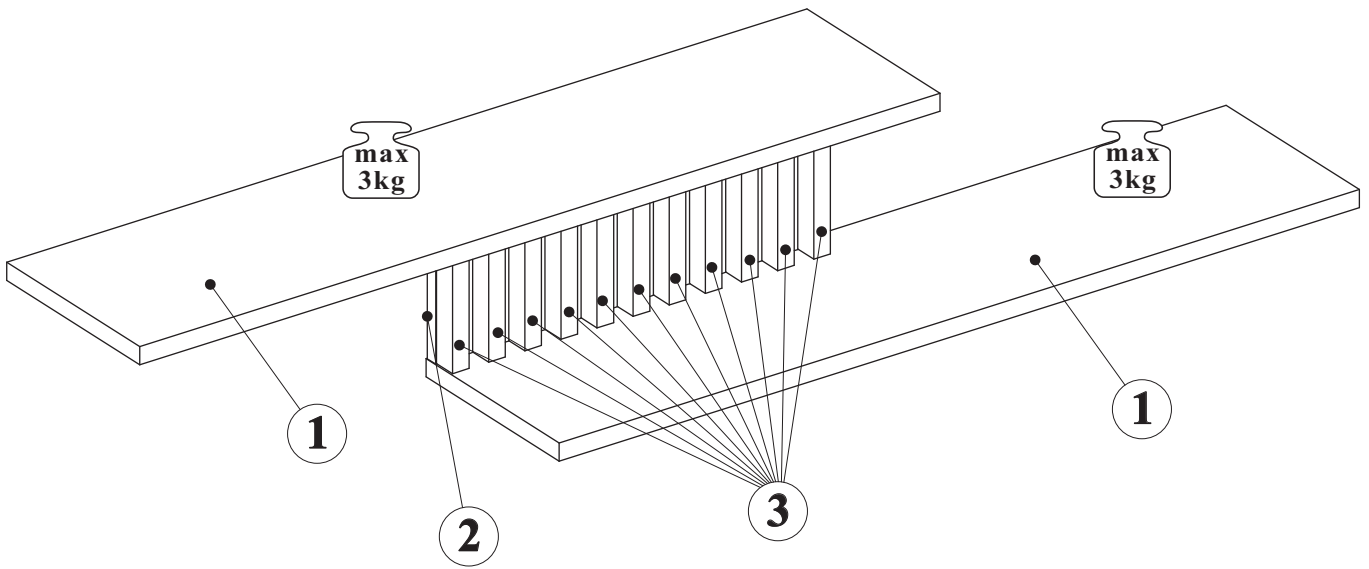
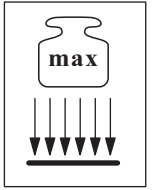
LED



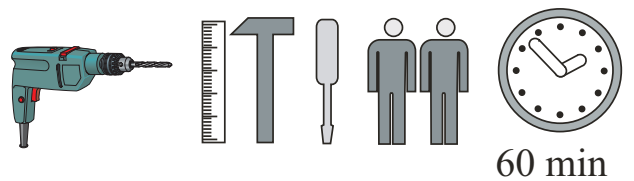
15



CAMERON PANEL PW

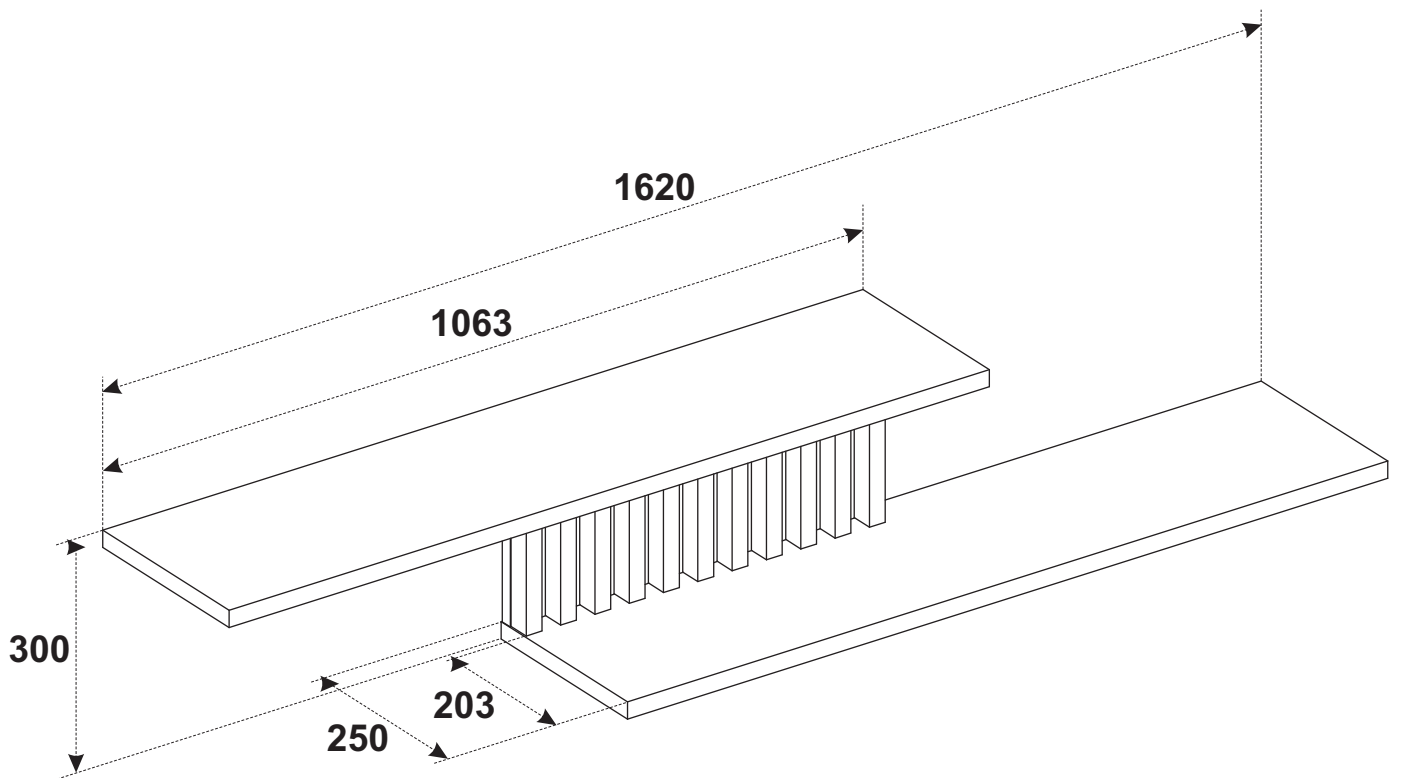


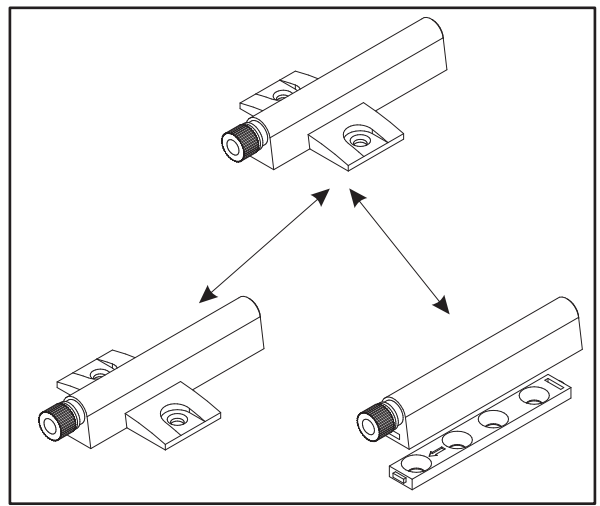
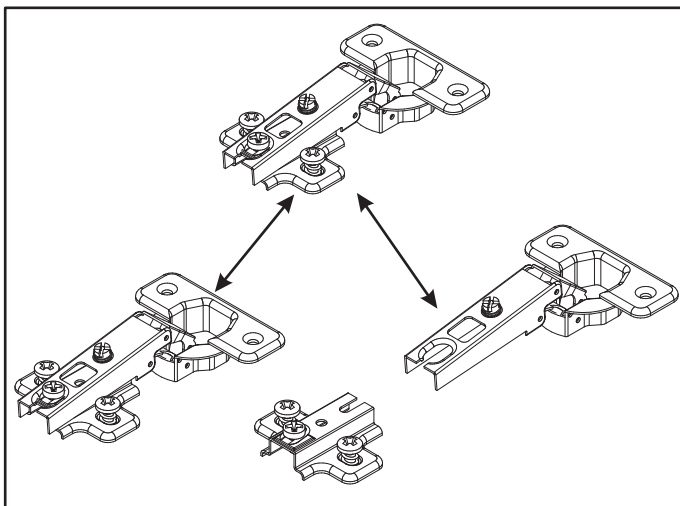
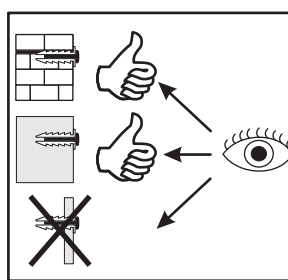
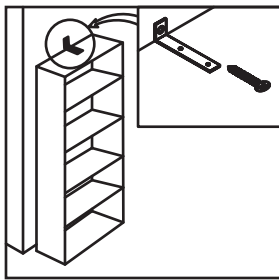
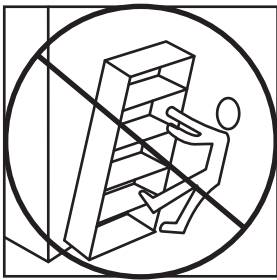
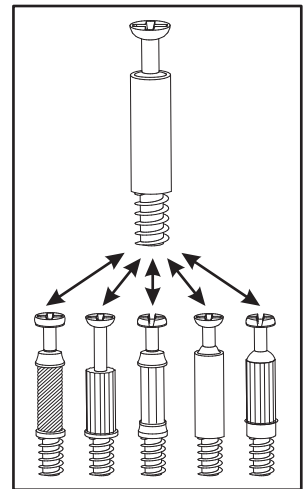
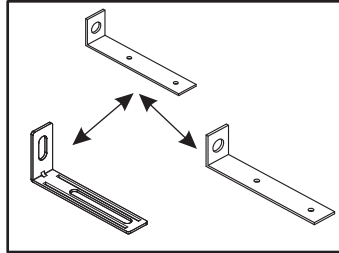
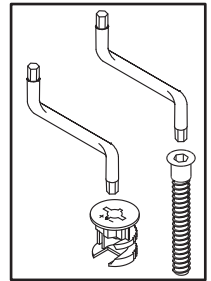
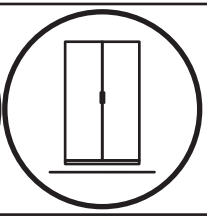
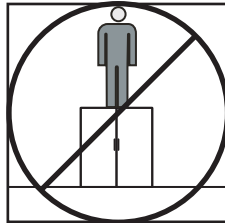
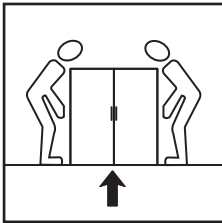
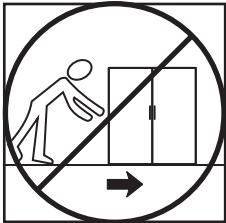
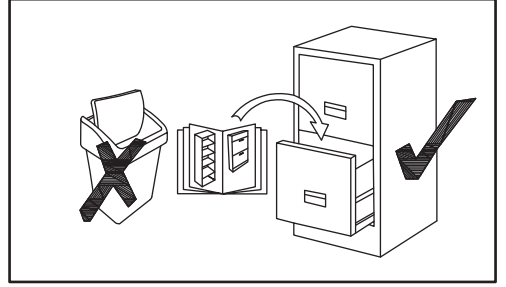
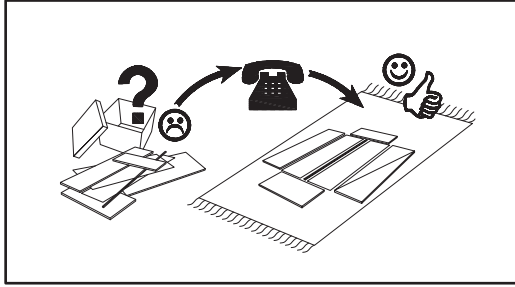
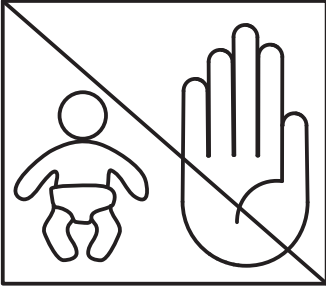
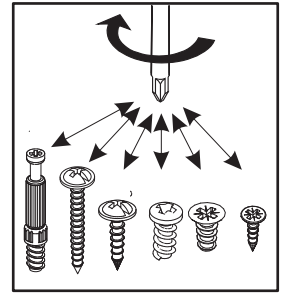
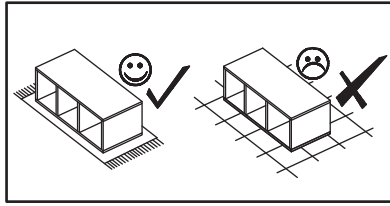
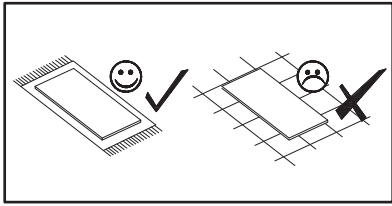
1	1063	250	22	1/1	2
2	504	256	16	1/1	1
3	255	30	22	1/1	11



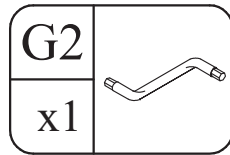
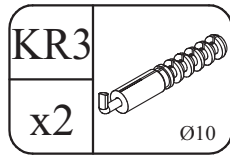
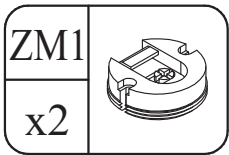
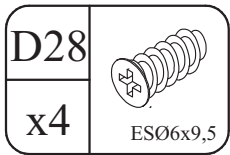
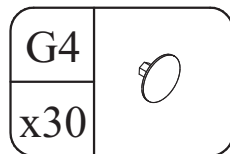
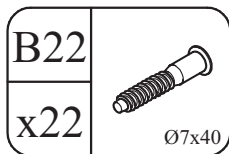
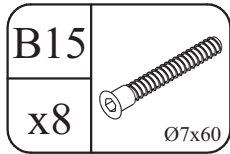
60 min

CAMERON PANEL PW





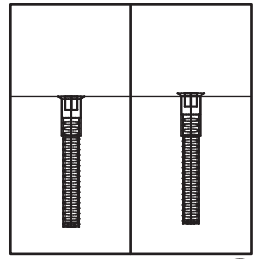
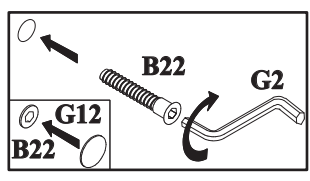
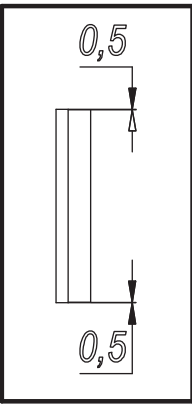
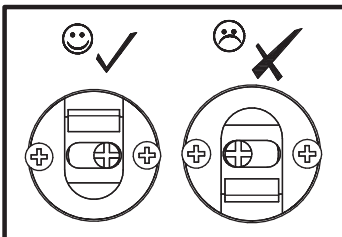
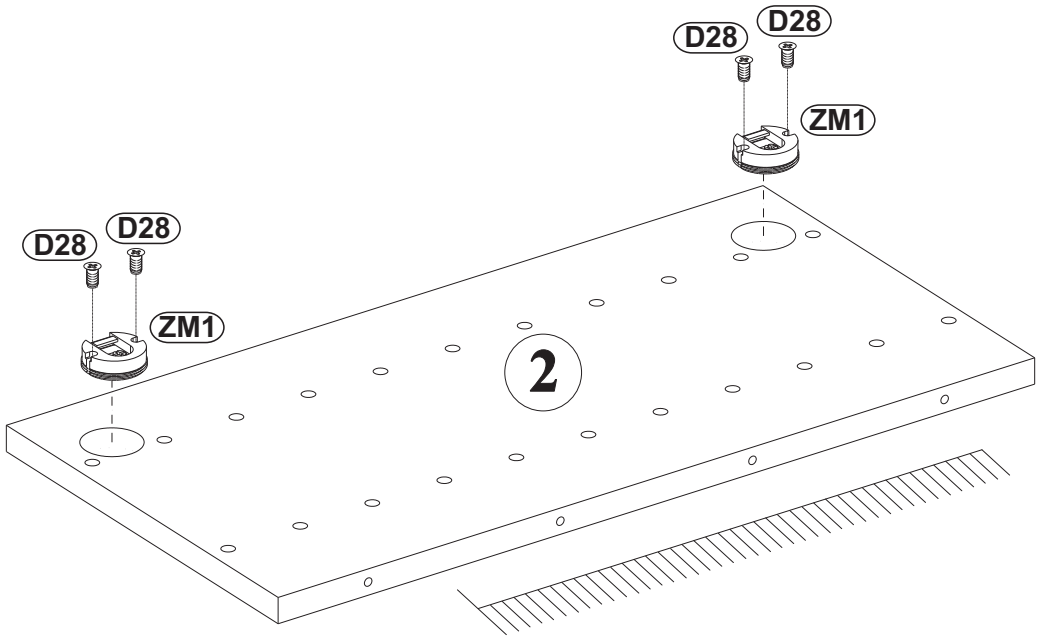
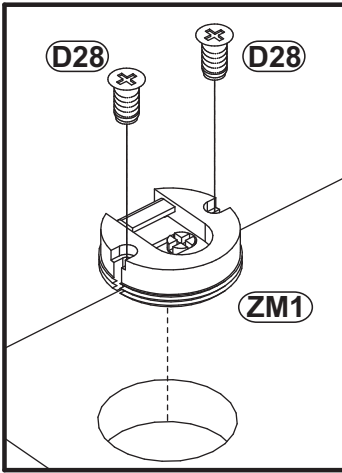
CAMERON PW



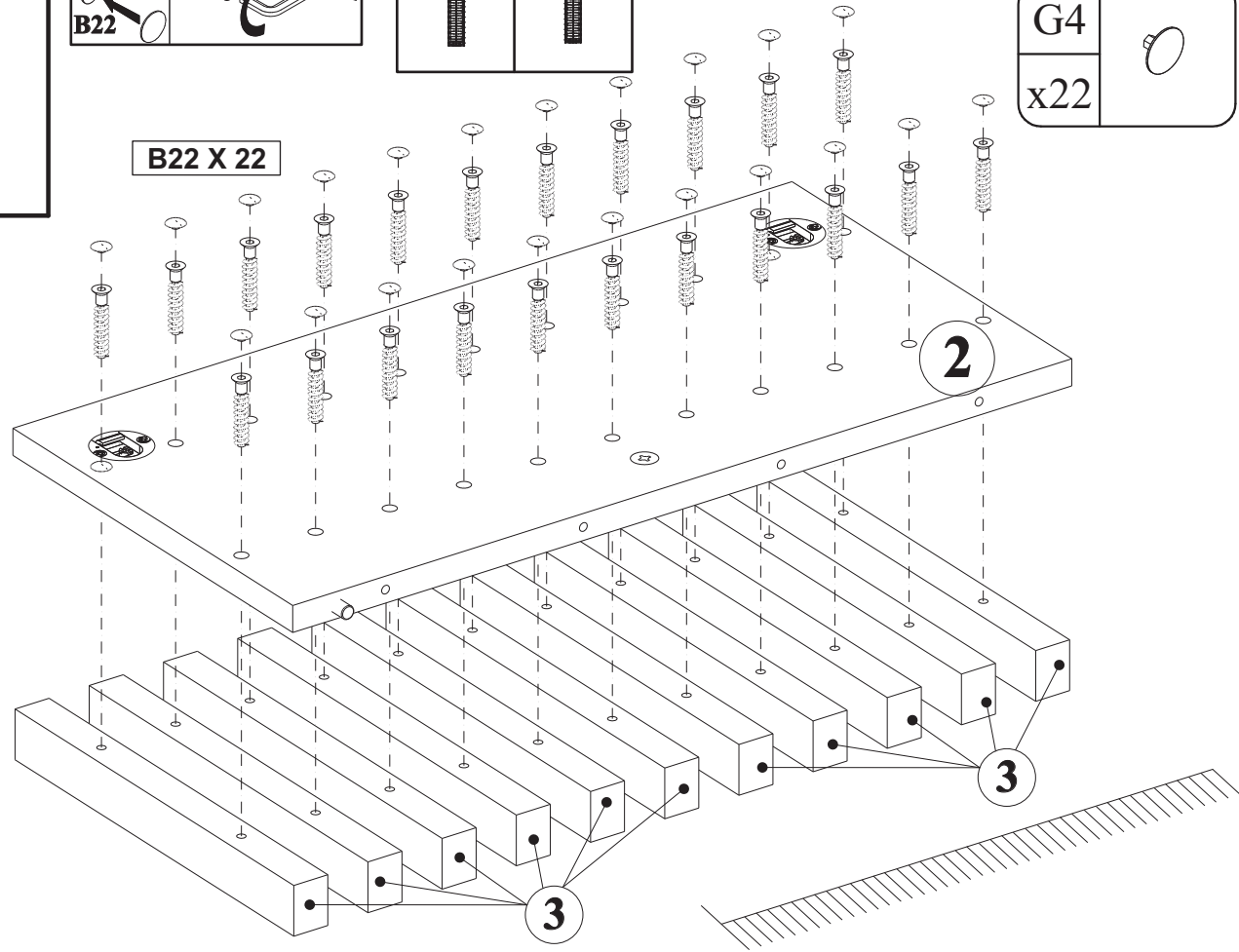
CAMERON PW

1

D28		ZM1	
x4	ES06x9,5	x2	

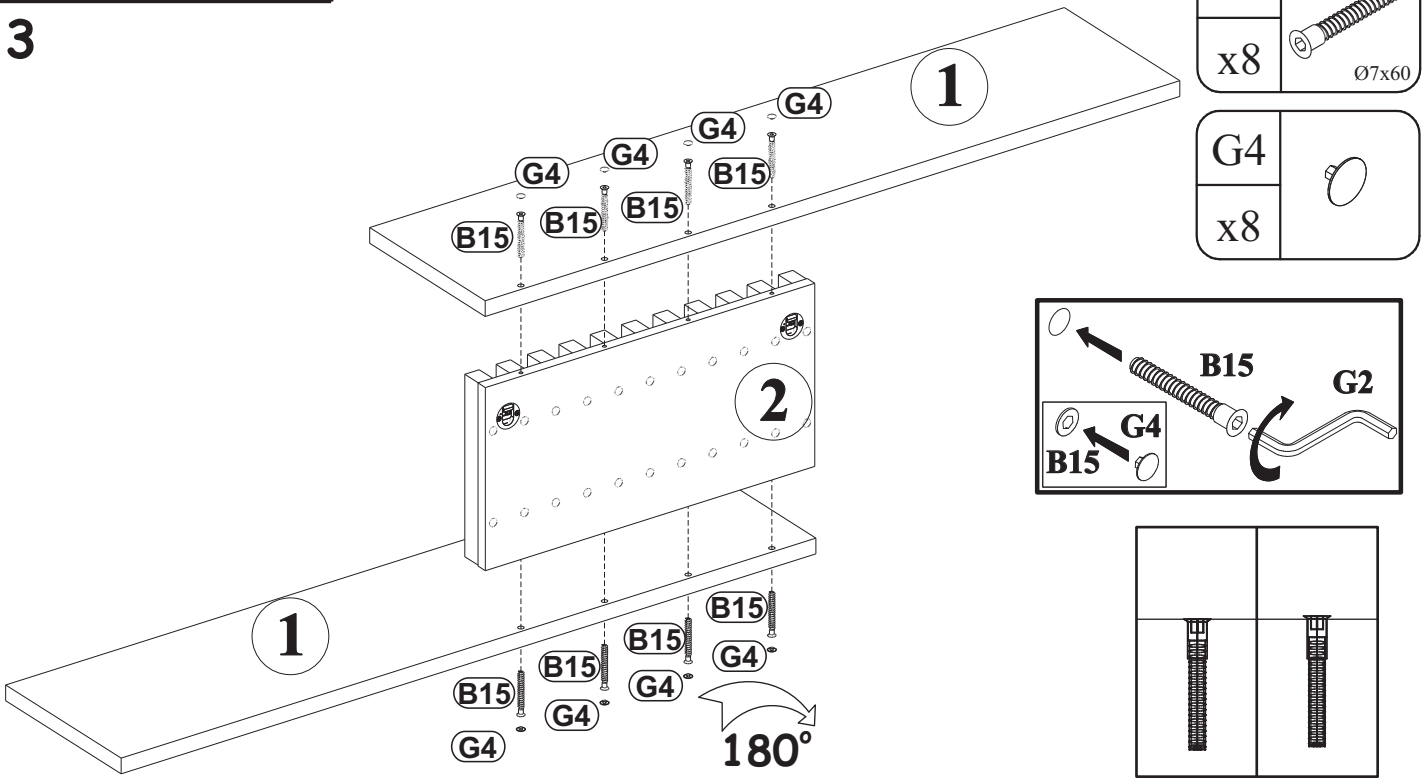


G2		B22	
x1		x22	Ø7x40
G4		x22	



CAMERON PW

3



4

