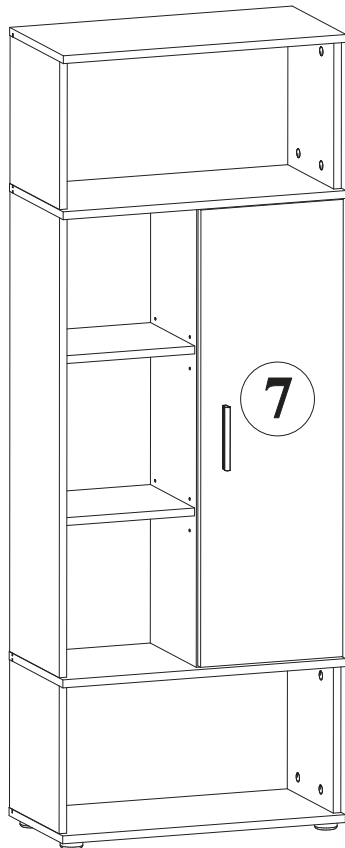
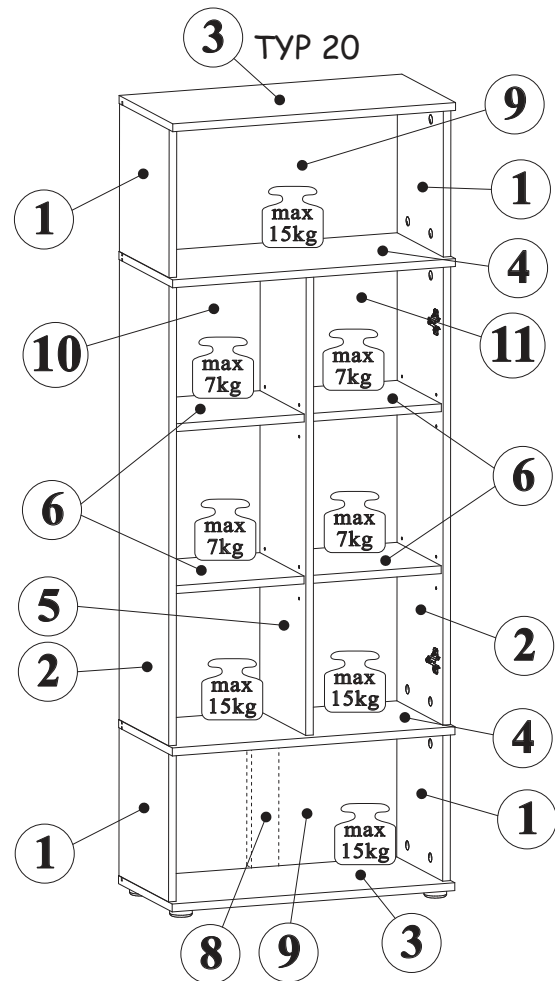
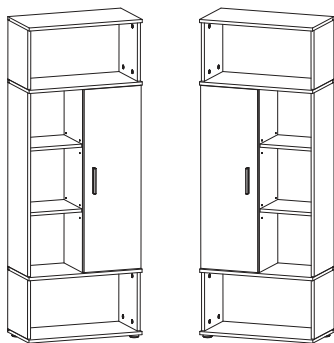
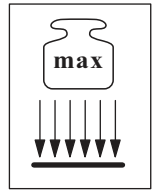
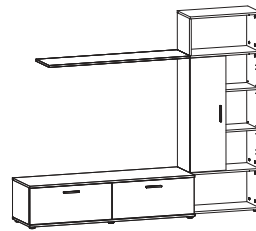
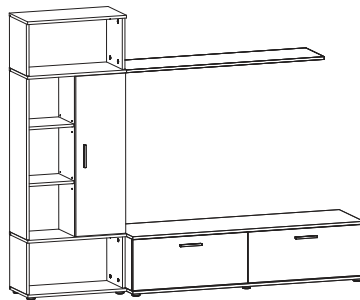


ROI - ___ RI - TYP 20

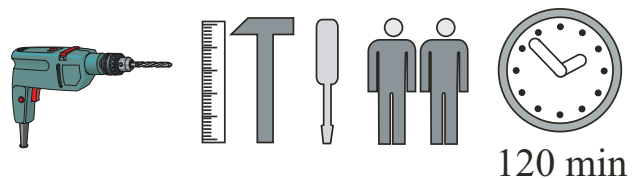
TYP 20



TYP 20

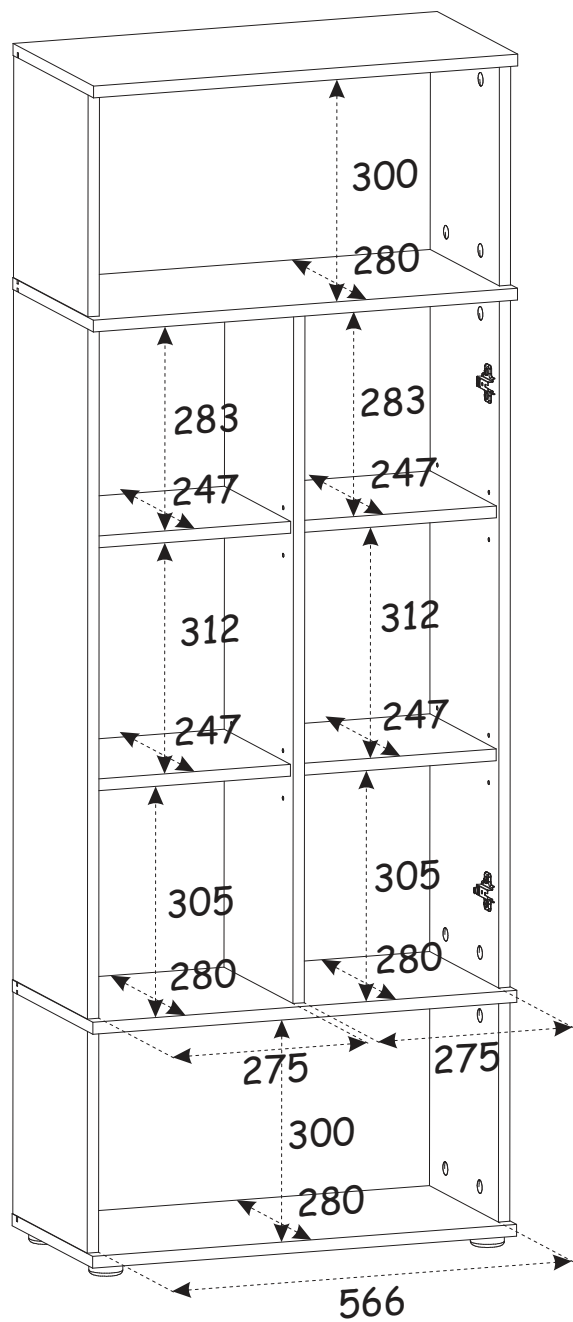
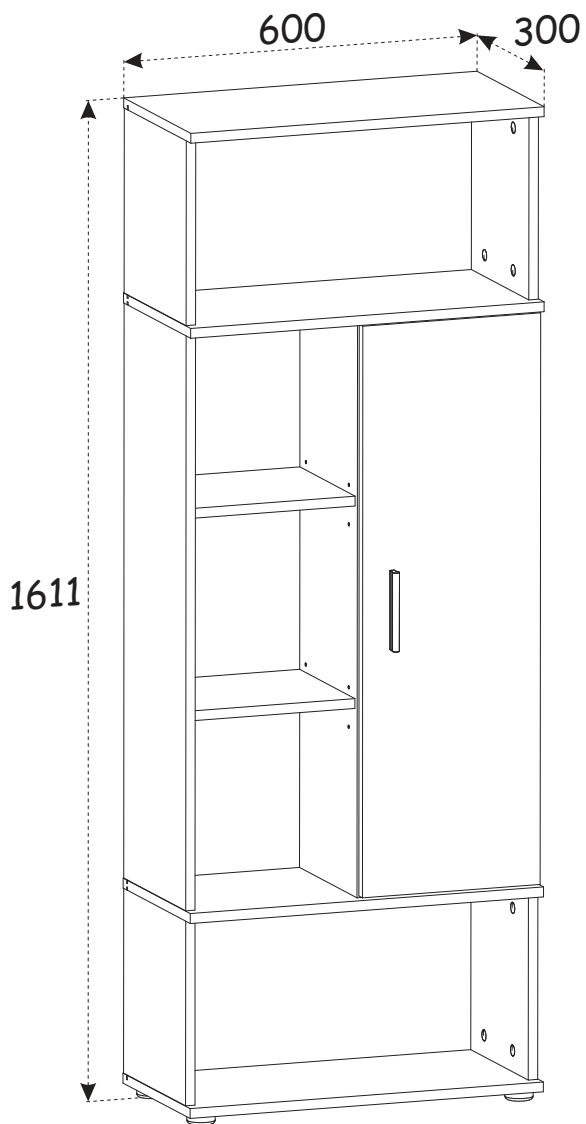


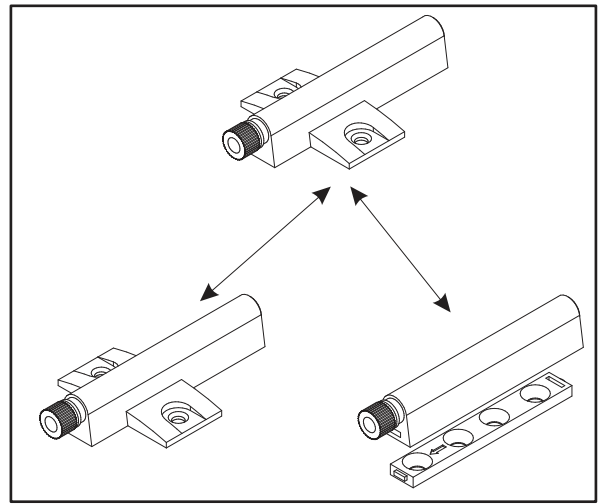
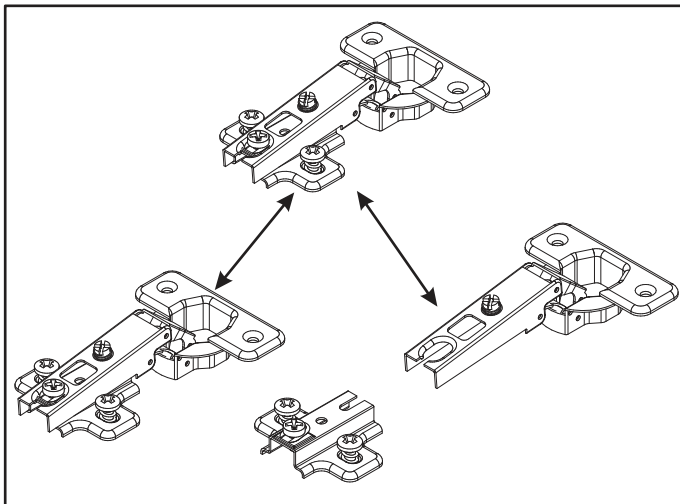
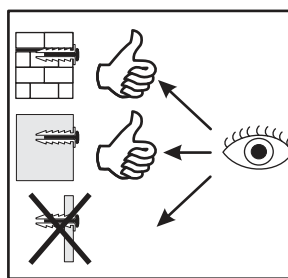
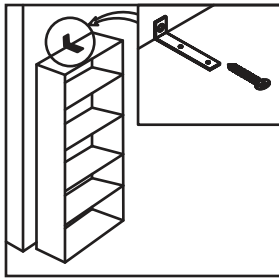
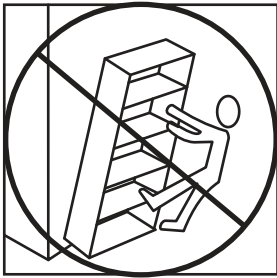
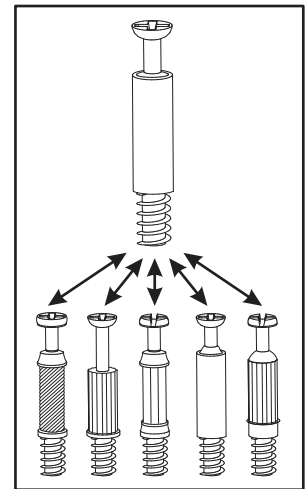
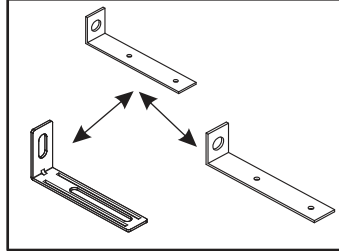
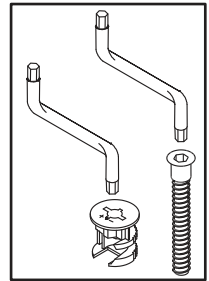
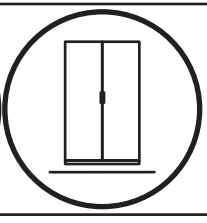
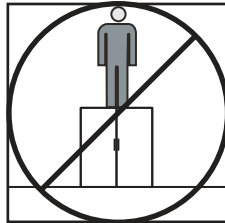
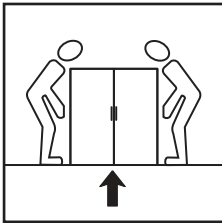
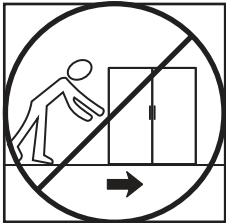
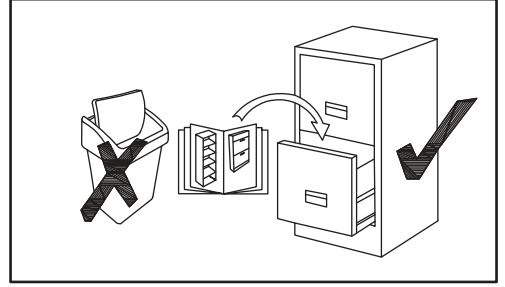
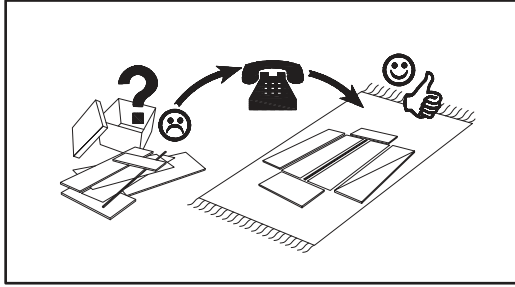
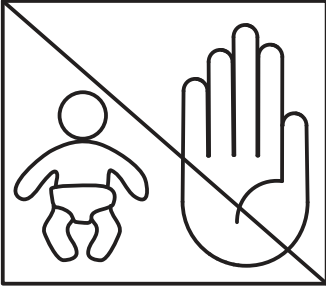
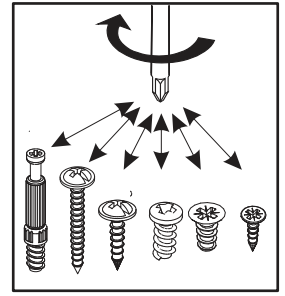
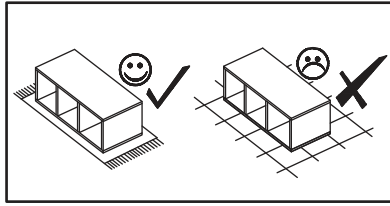
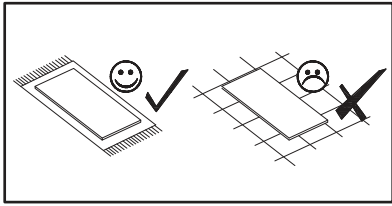
NO	Dim (mm)			Col.-No	Qty
7	302	926	16	1/2	1
2	277	932	16	1/2	2
5	257	932	16	1/2	1
1	277	300	16	1/2	4
8	300	60	16	1/2	1
3	600	300	16	1/2	2
4	600	300	16	1/2	2
6	275	247	16	1/2	4
9	578	310	3	1/2	2
10	288	940	3	1/2	1
11	288	940	3	1/2	1



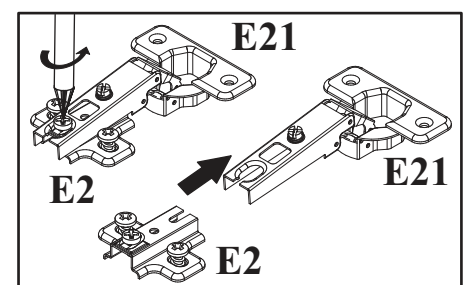
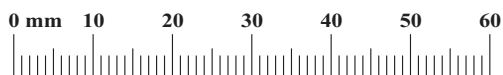
120 min

ROI - ___ RI - TYP 20

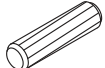


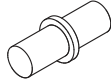


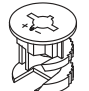
A1 x32 Ø8x36	B4 x12	B6 x8 Ø7x76	B5 x28 Ø15x12	G5 x28	E21 x2 Ø35 H=0
E2 x2 H=0	G7 x16	S1 x22	G16 x6	I11 x5 Ø45, h=15	KL x1 L-128mm.
Z2 x4 Ø5	D10 x6 USØ3,5x13	UP9 x6 UPØ3,5x16	UP11 x5 UPØ4x20	UP6 x2 UPØ4x30	KR1 x1 Ø8
L1 x1	G2 x1				

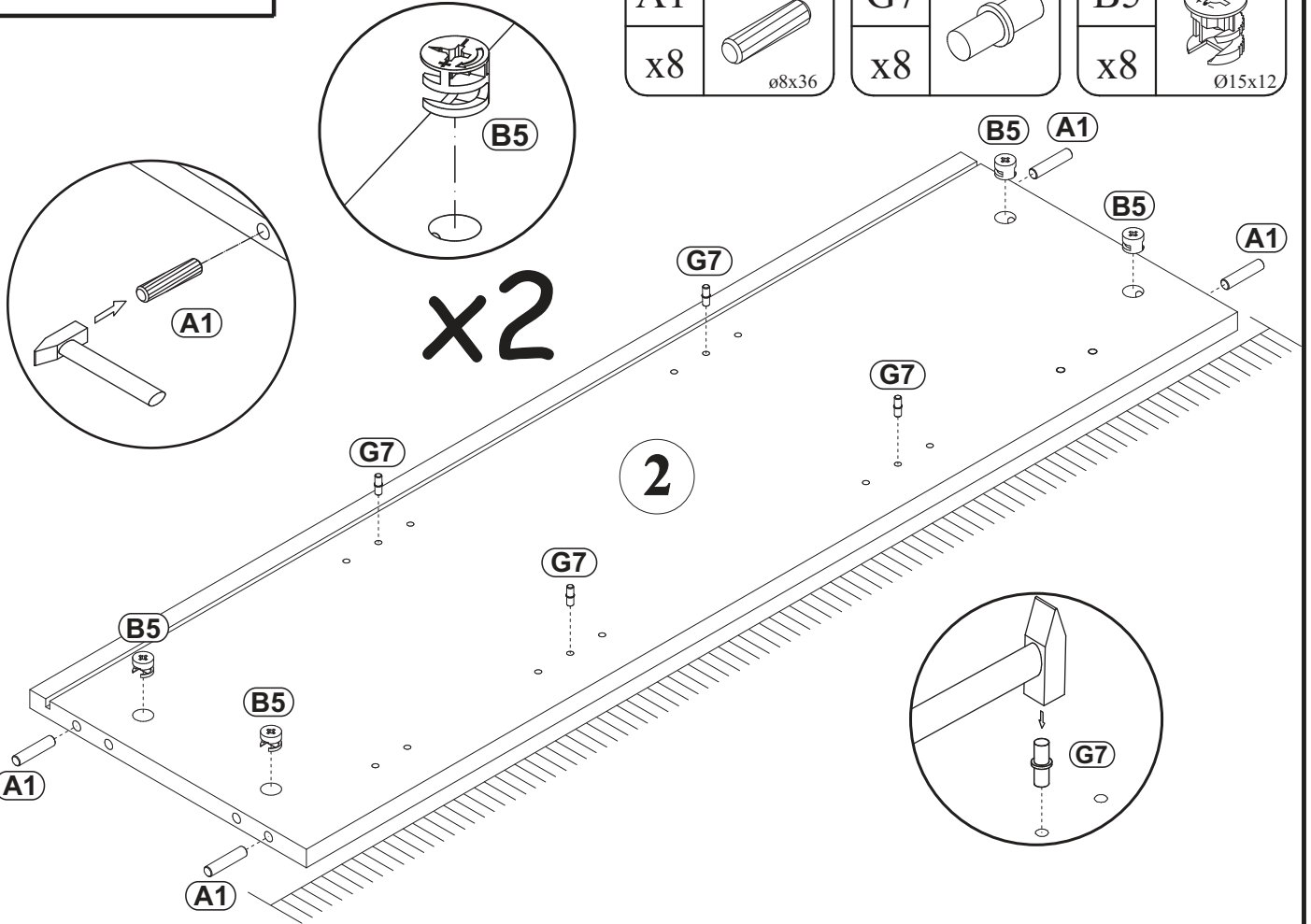


1

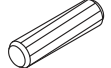
A1	
x8	∅8x36


G7	
x8	

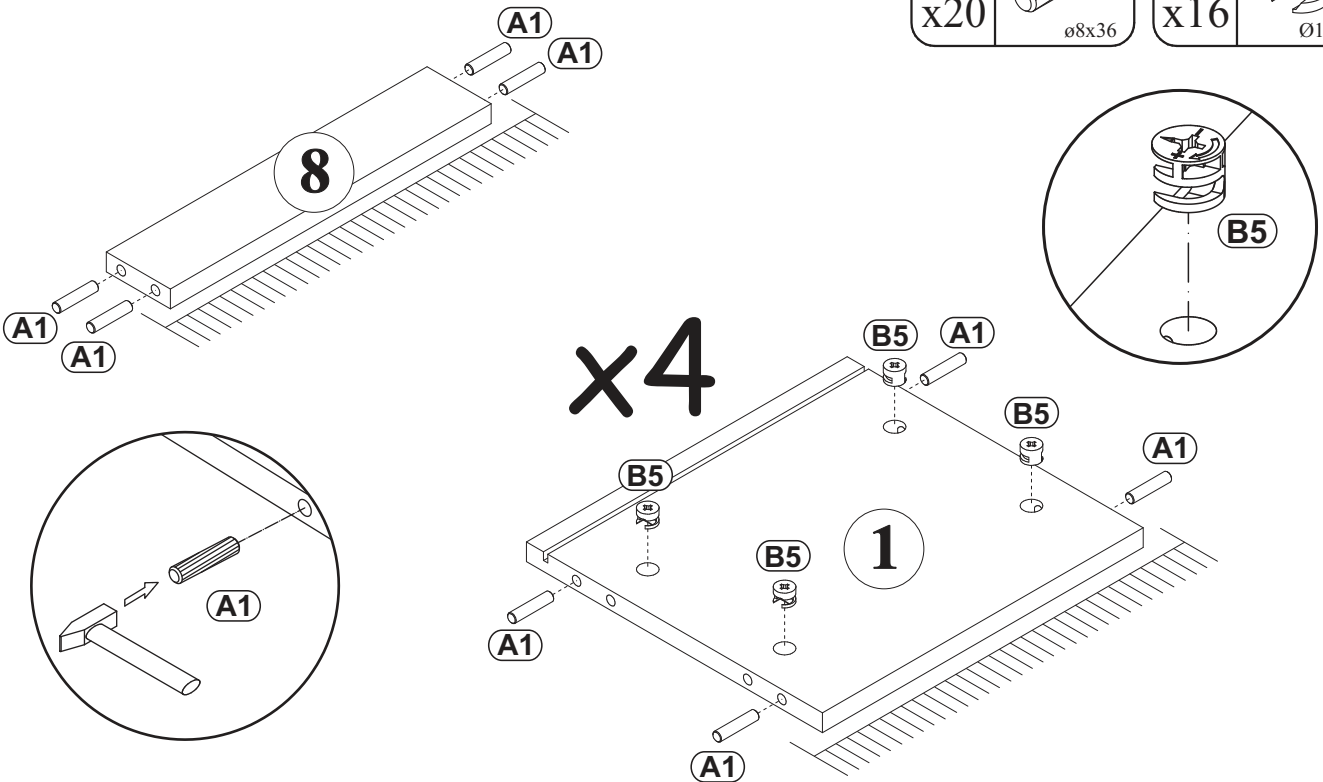
B5	
x8	∅15x12

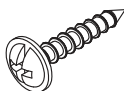


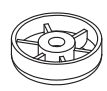
2

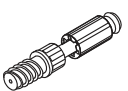
A1	
x20	∅8x36

B5	
x16	∅15x12



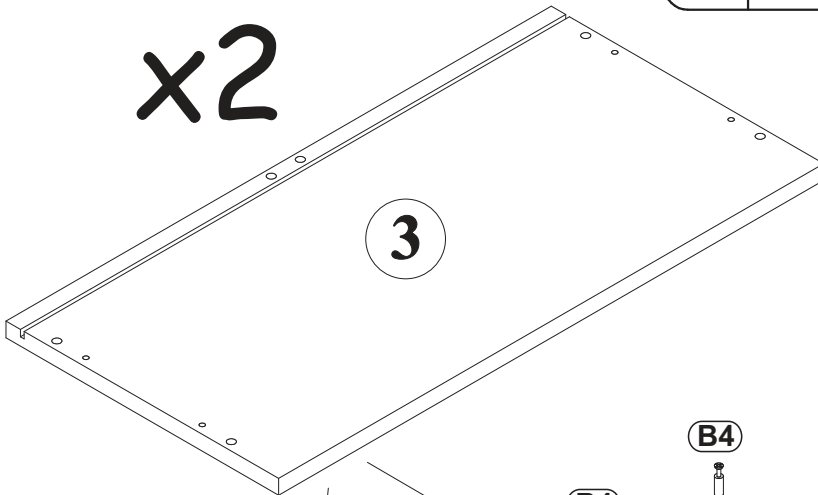
UP11	
x5	UPØ4x20

I11	
x5	Ø45, h=15

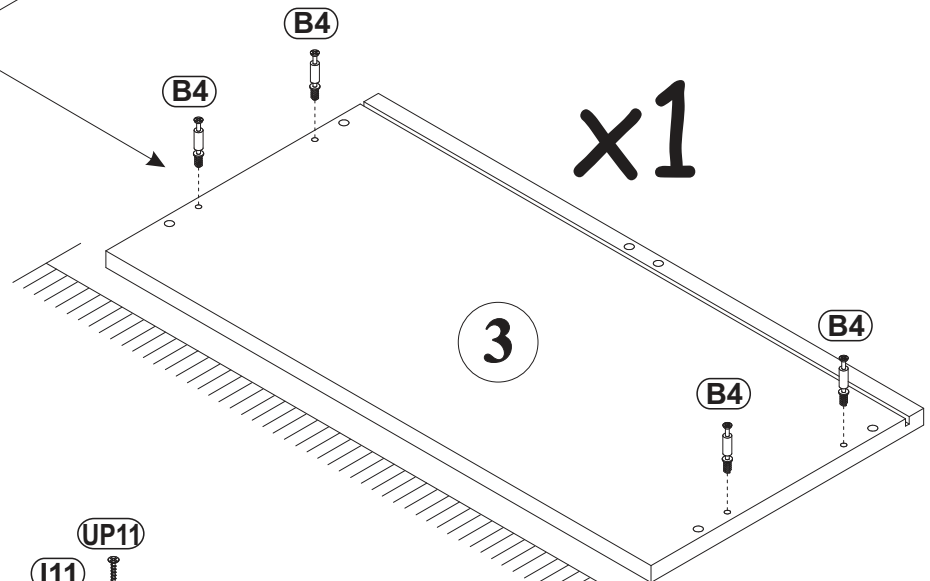
B4	
x8	

3

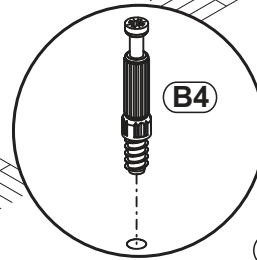
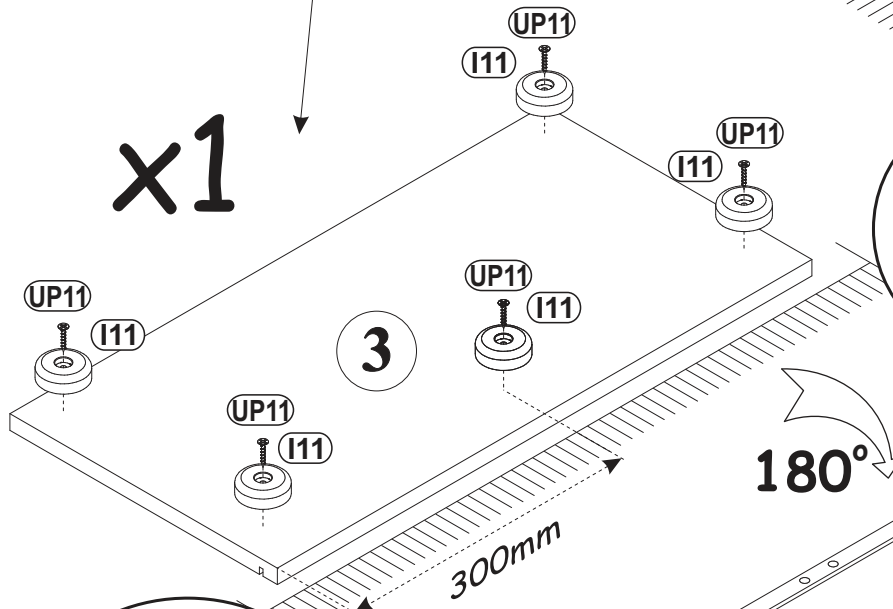
x2



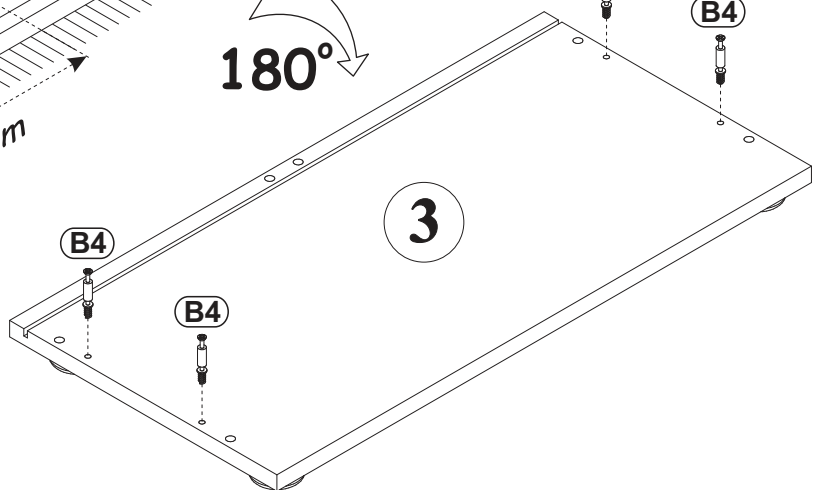
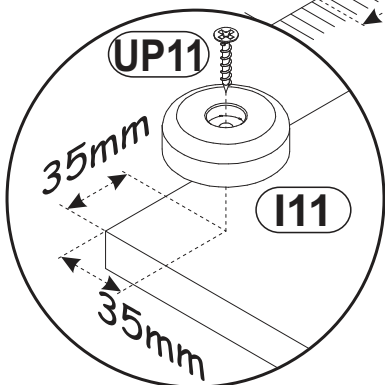
x1



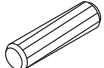
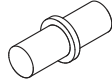
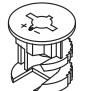
x1

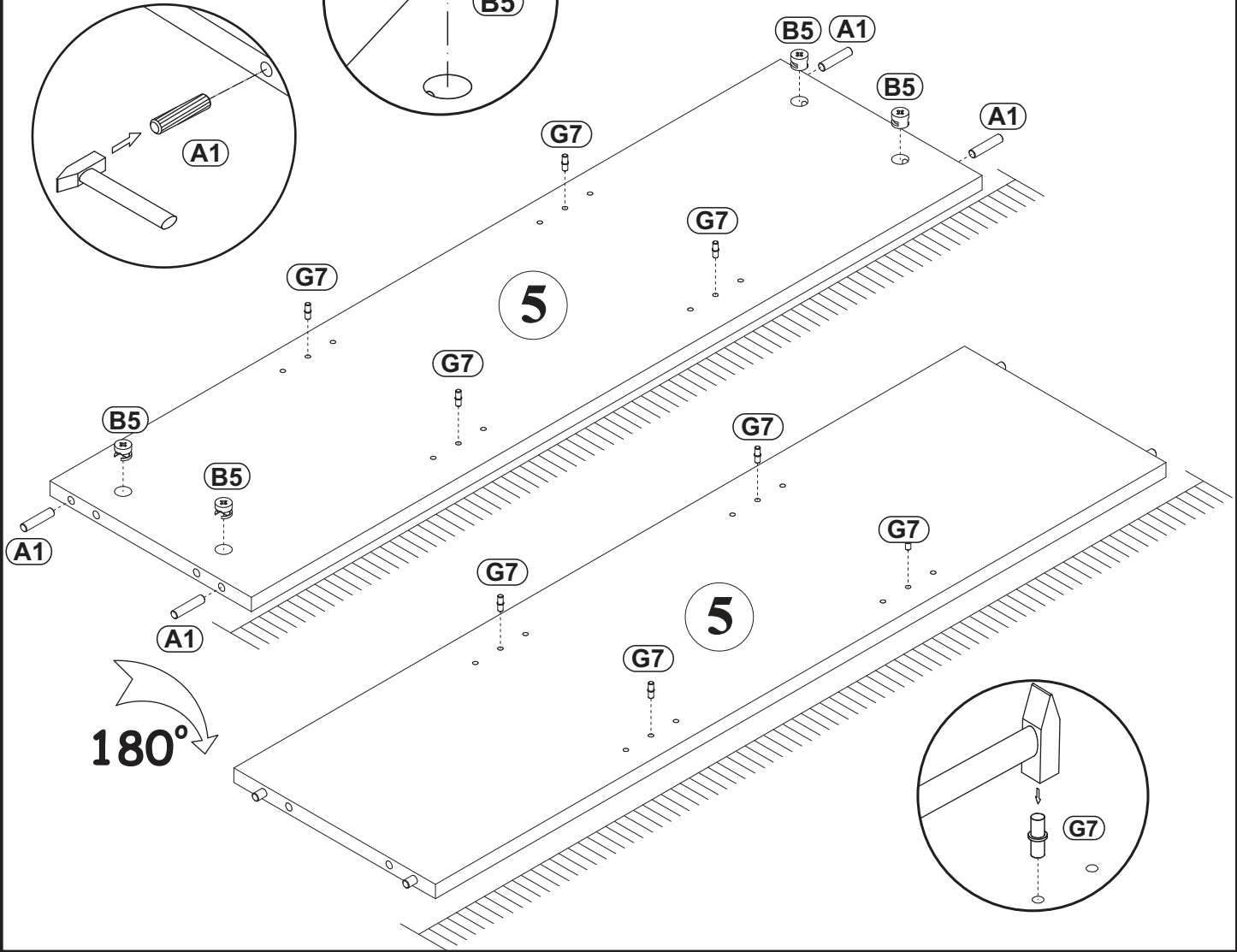


180°

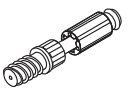


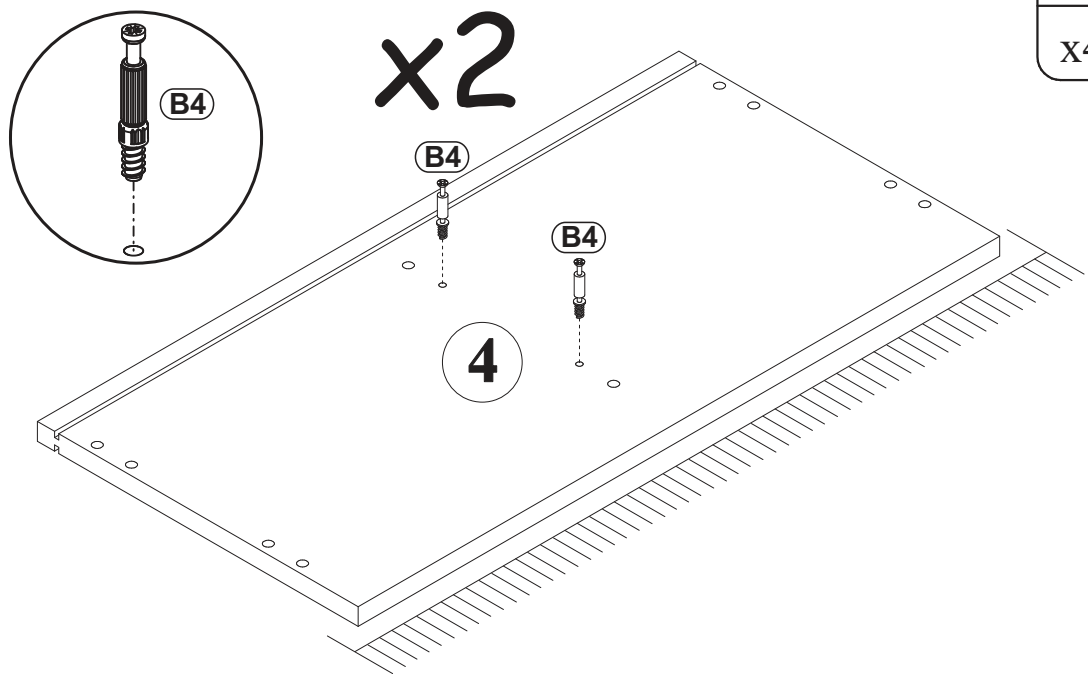
4

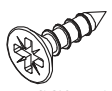
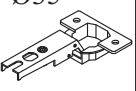
A1		G7		B5	
x4	∅8x36	x8		x4	∅15x12



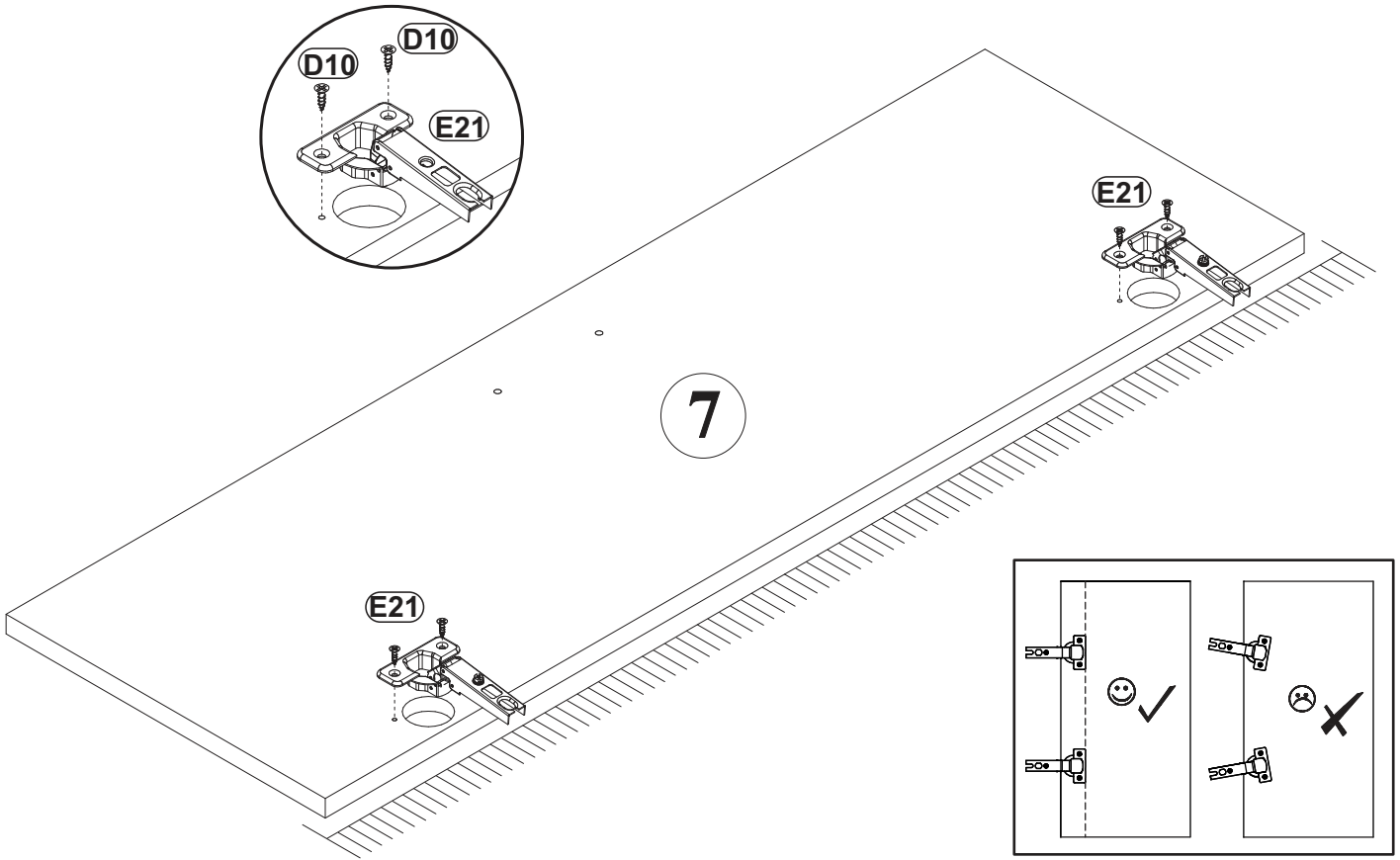
5

B4	
x4	

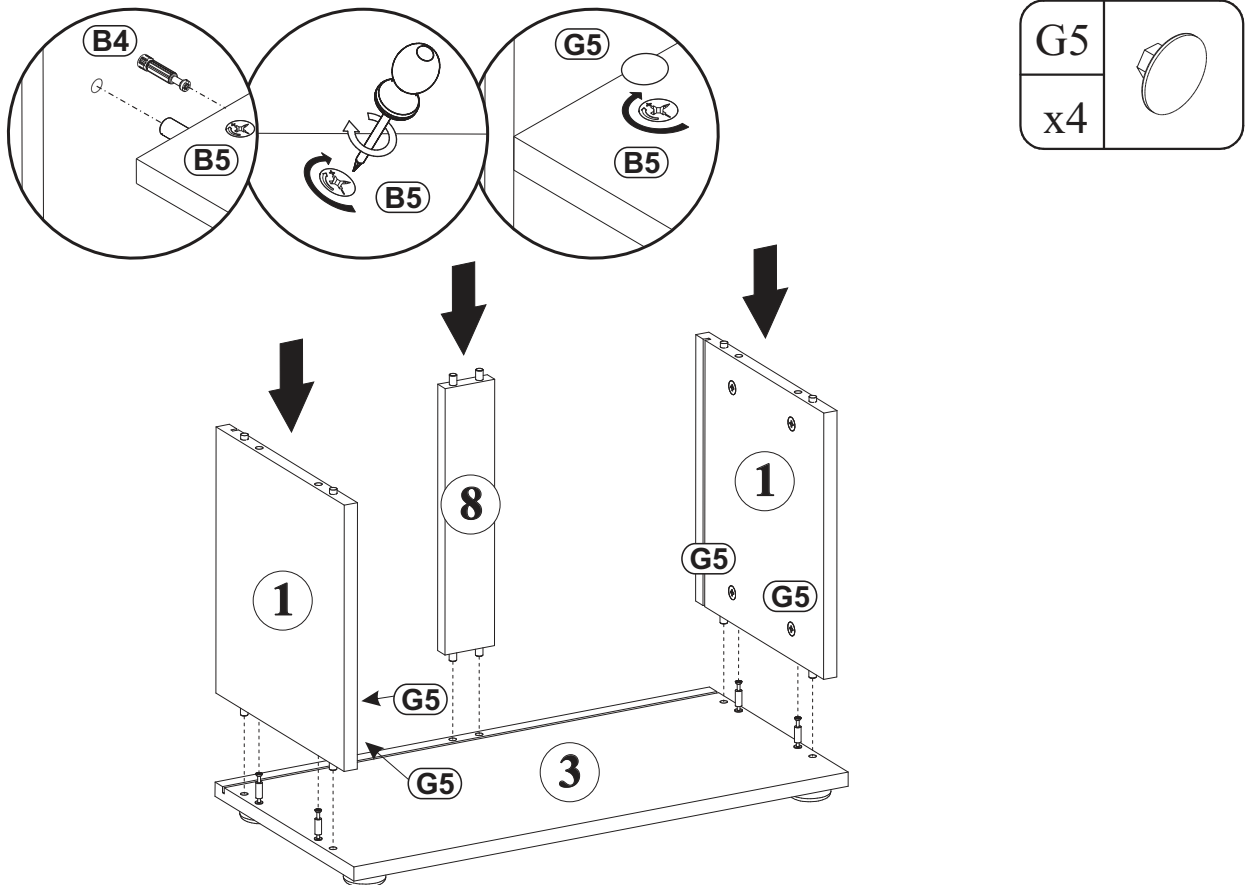



D10		E21	
x4	USØ3,5x13	x2	Ø35 H=0

6

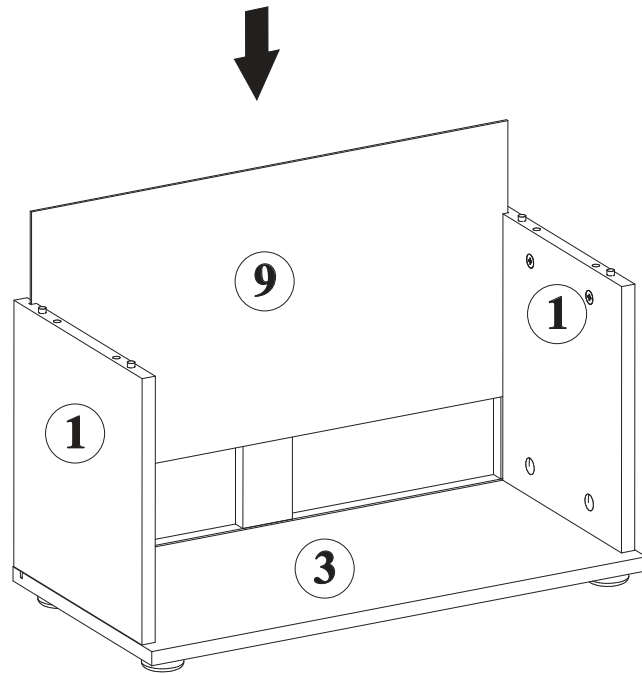


7

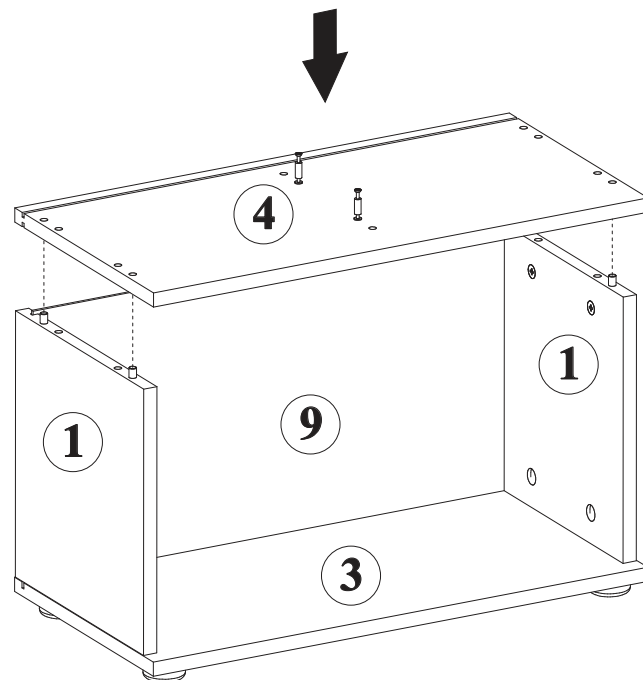


G5	
x4	

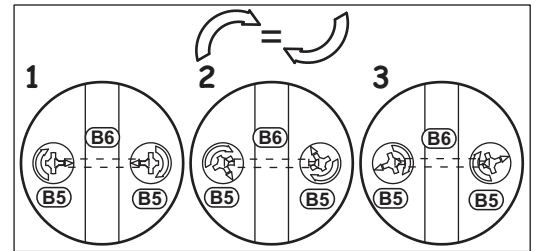
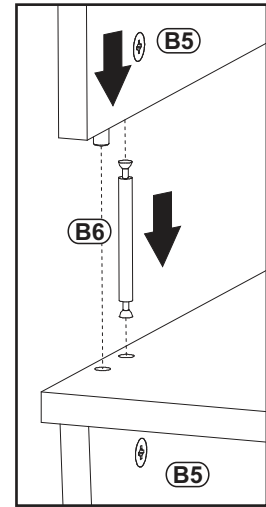
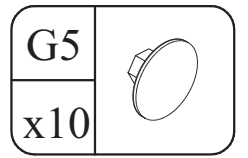
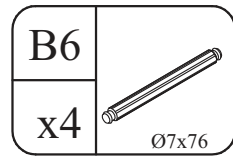
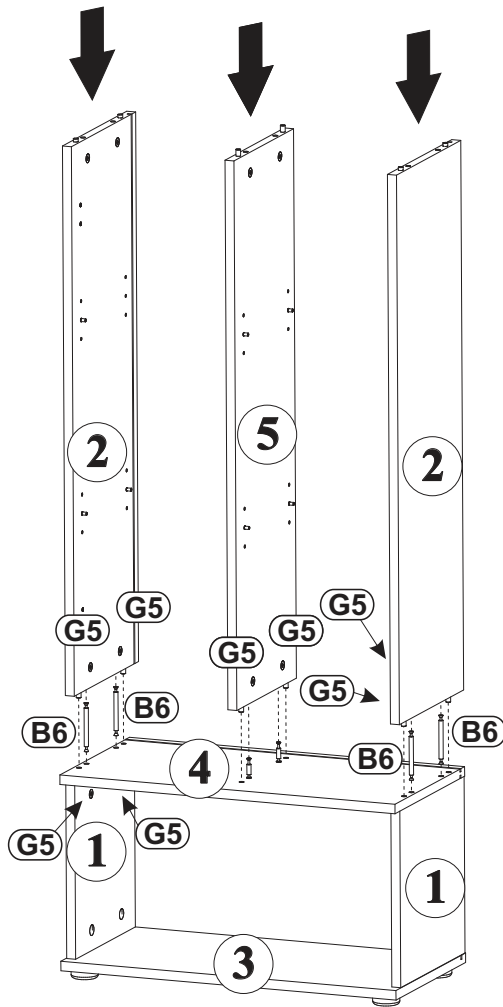
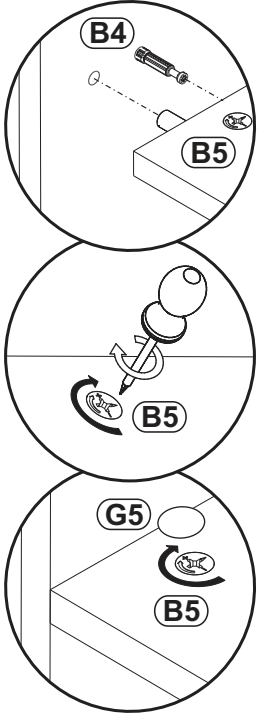
8



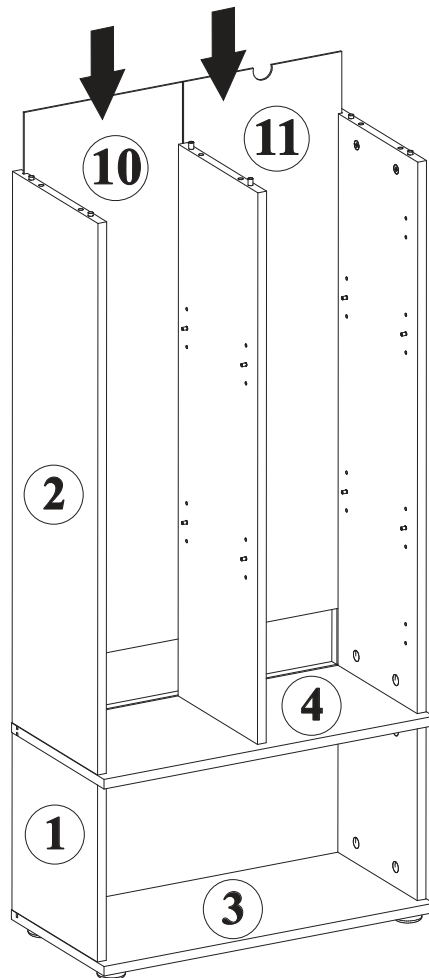
9



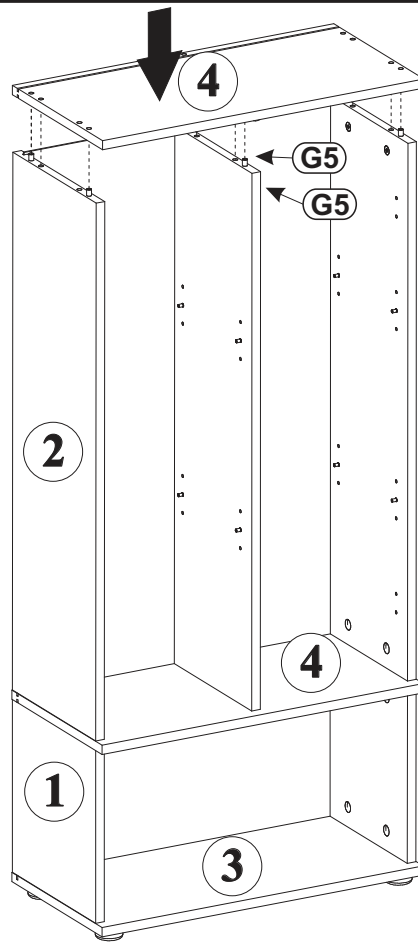
10




11

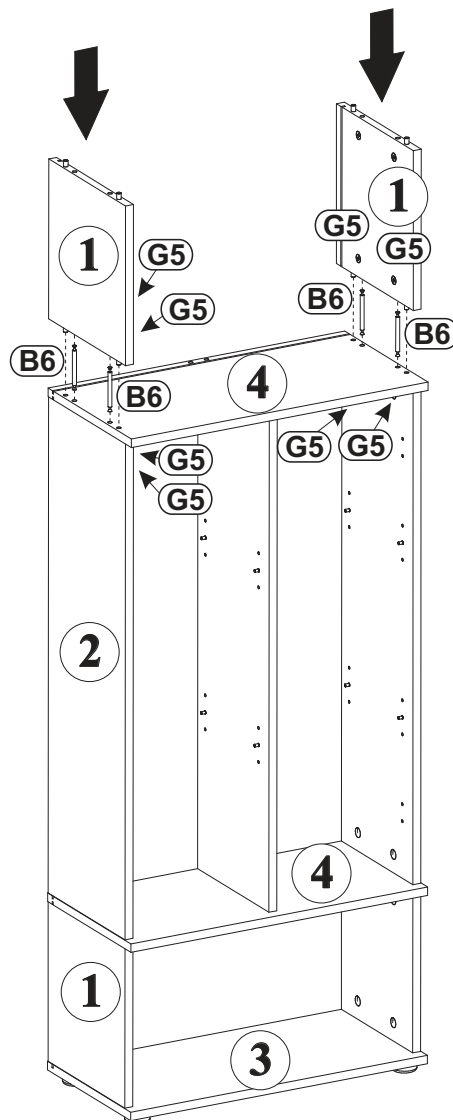



12




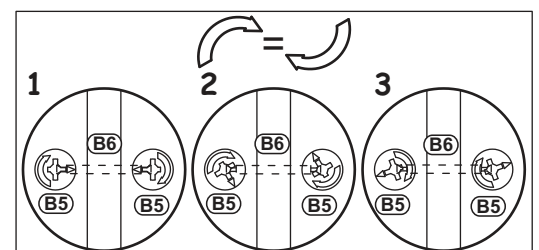
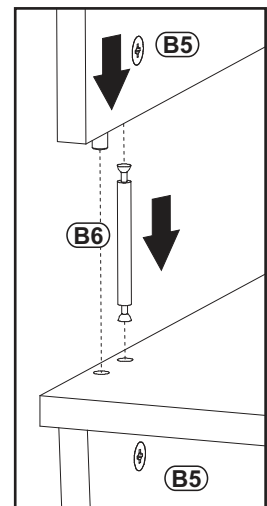
G5	
x2	

13

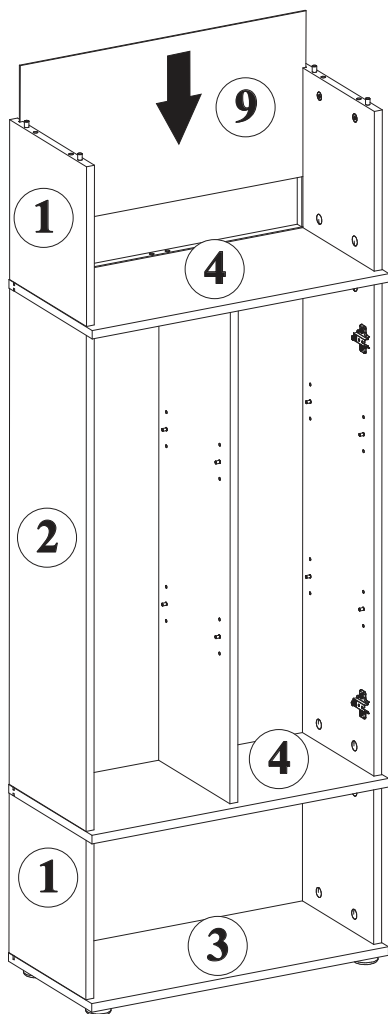


B6	
x4	Ø7x76

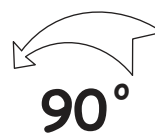
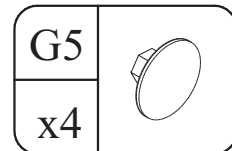
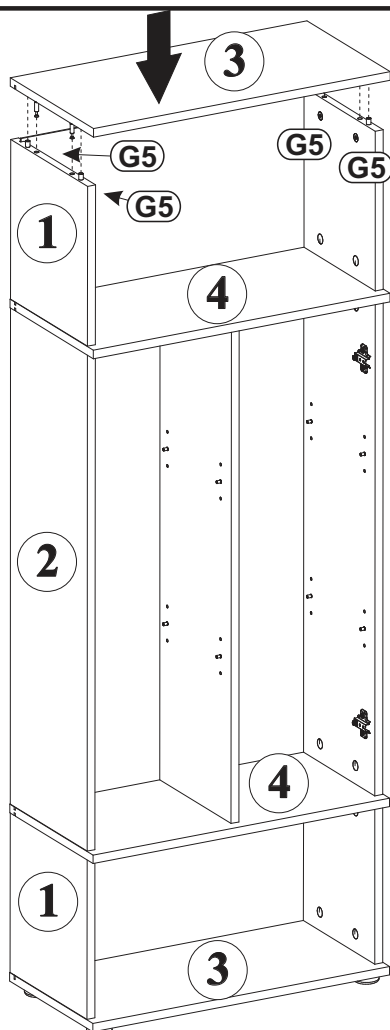
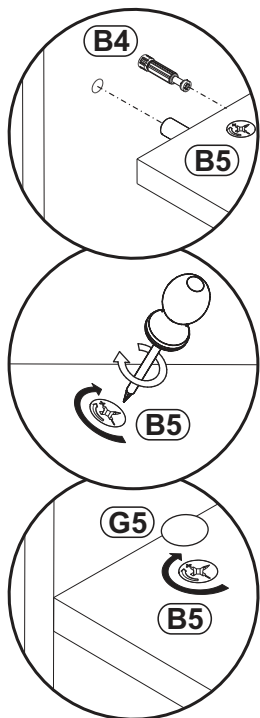
G5	
x8	




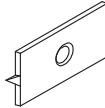
14

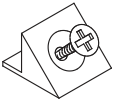


15

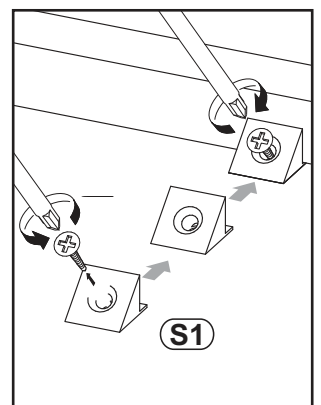
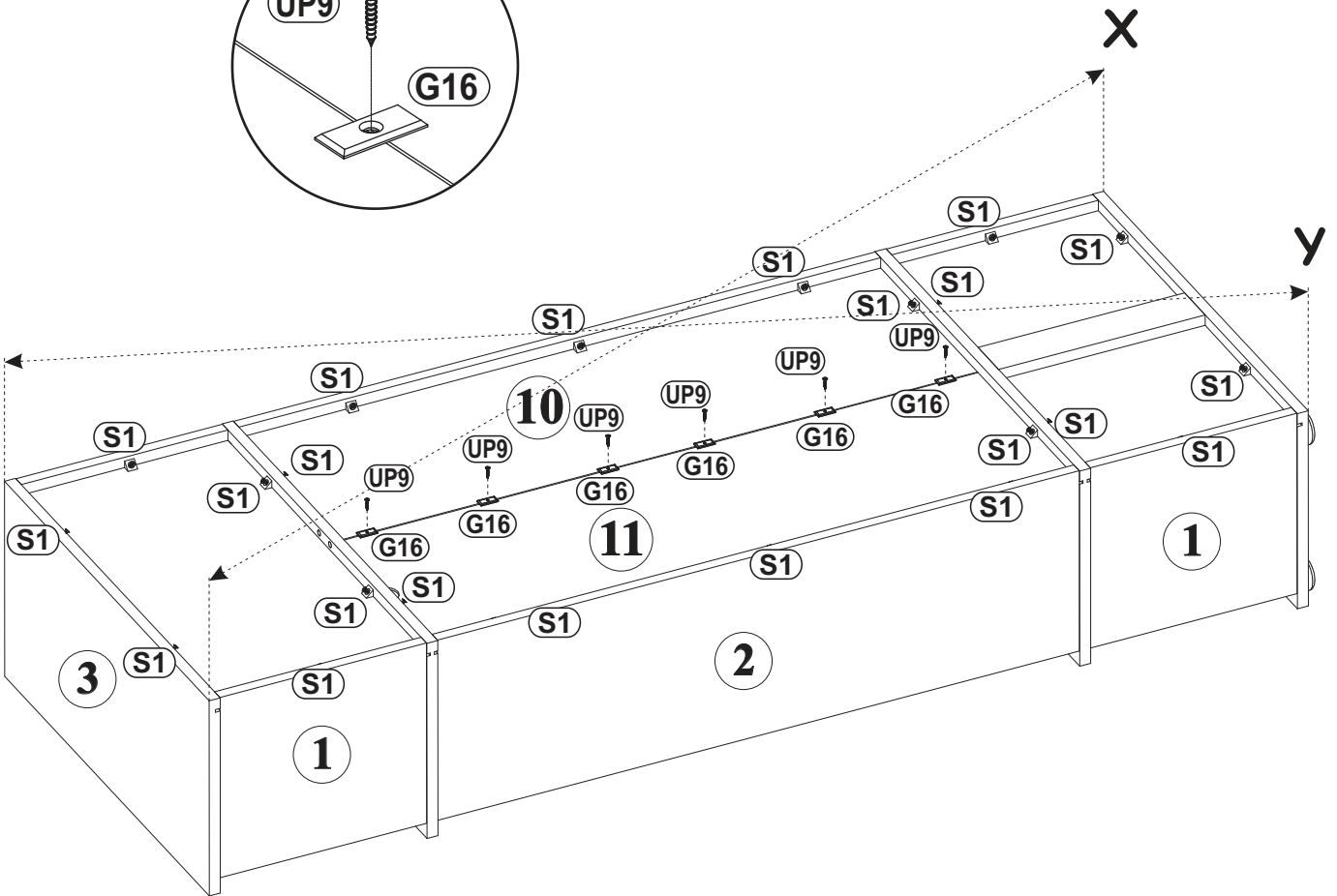
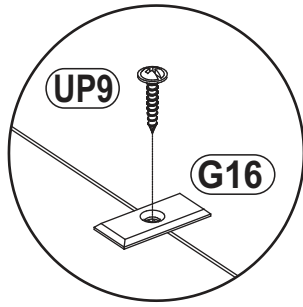


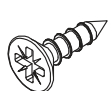
UP9	
x6	UPØ3,5x16

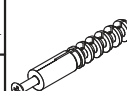
G16	
x6	

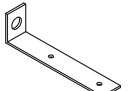
S1	
x22	

16

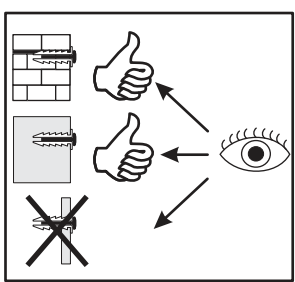
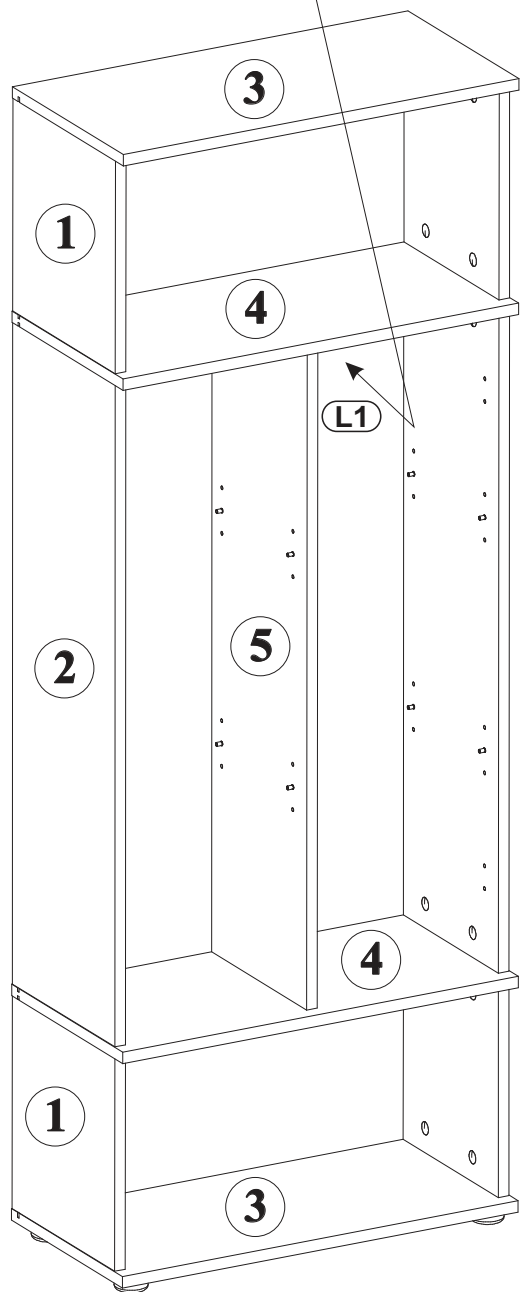
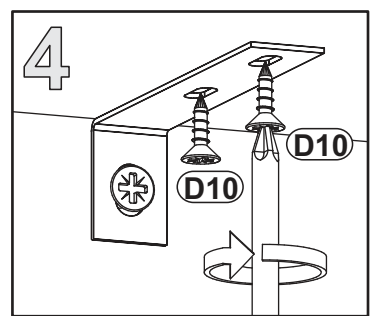
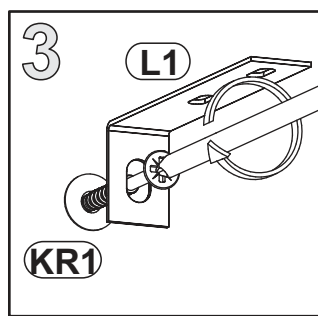
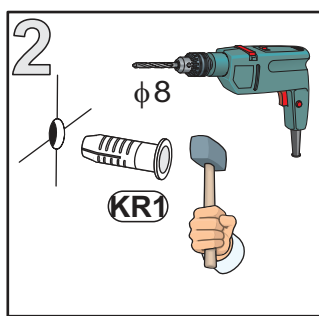
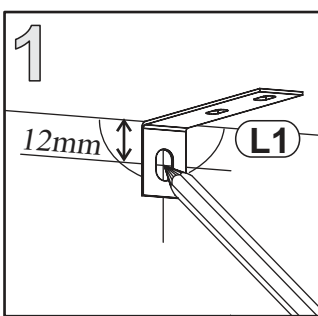


D10	
x2	USØ3,5x13

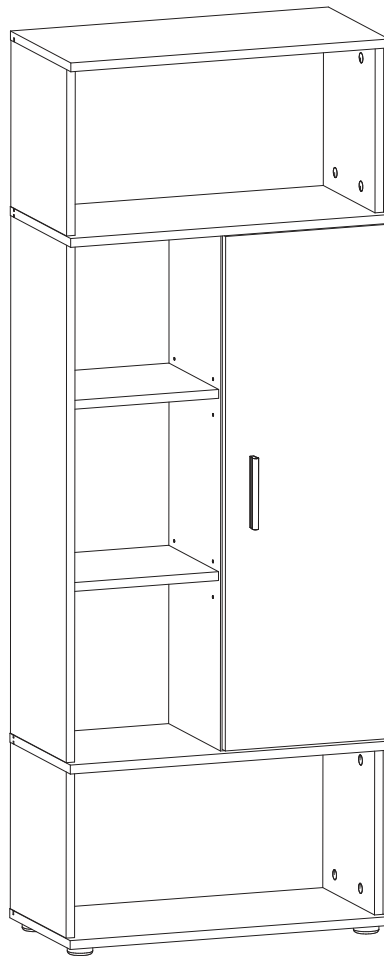
KR1	
x1	Ø8

L1	
x1	

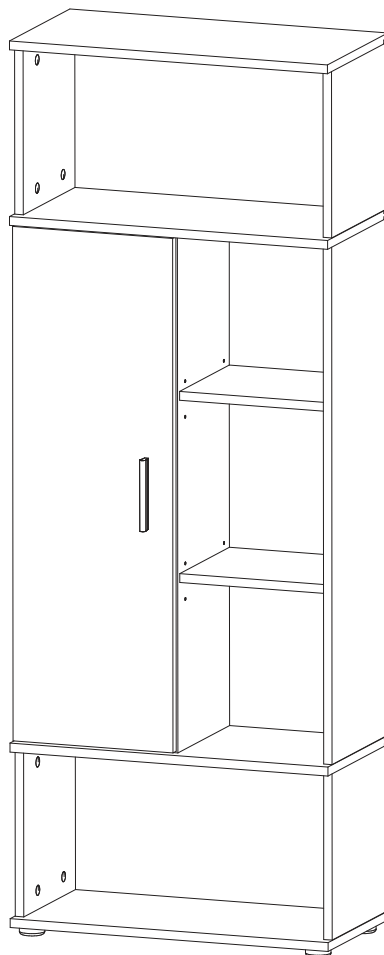
17



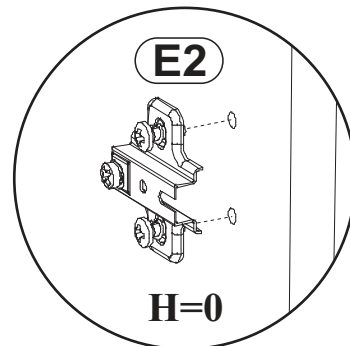
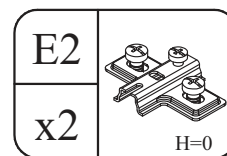
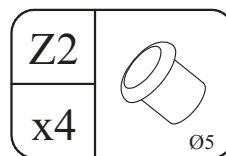
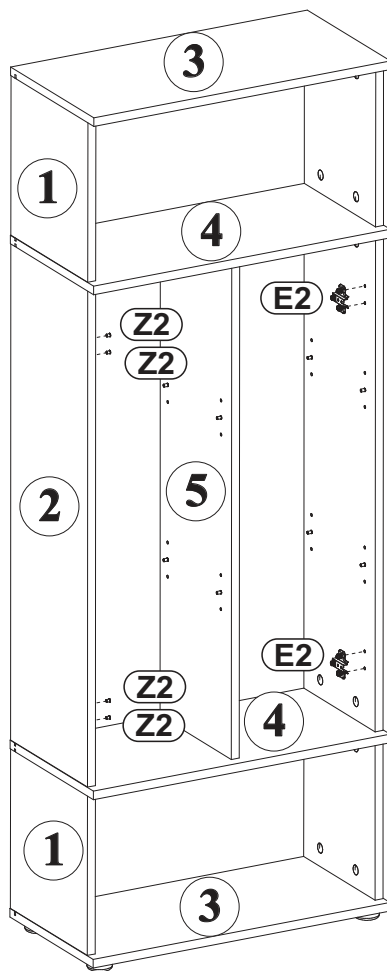
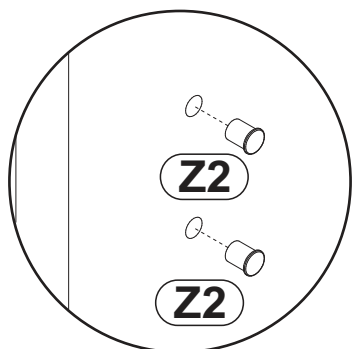
18-21



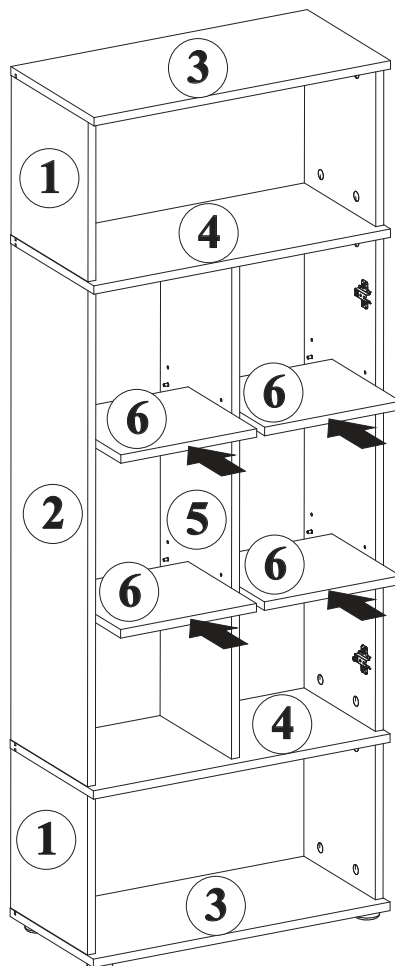
22-25



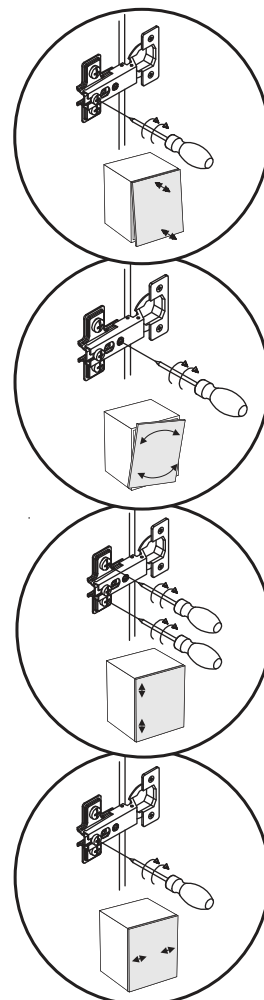
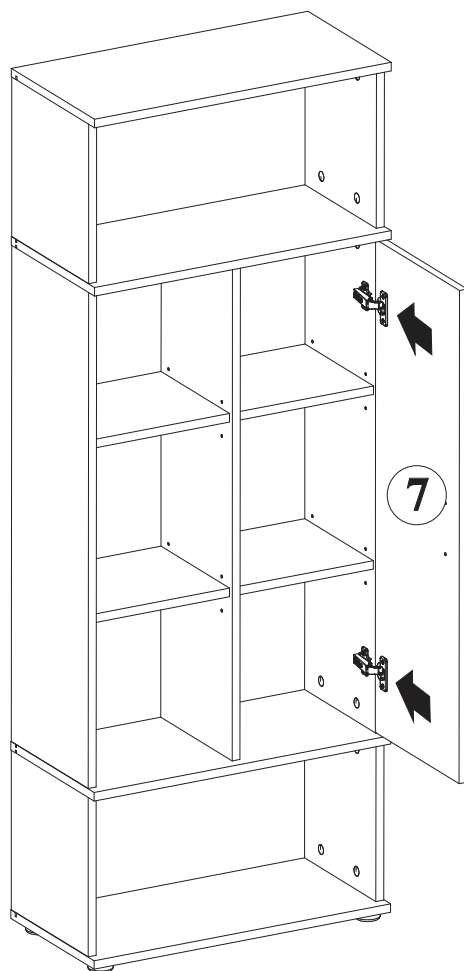
18



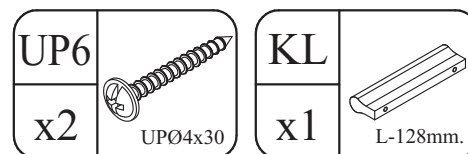
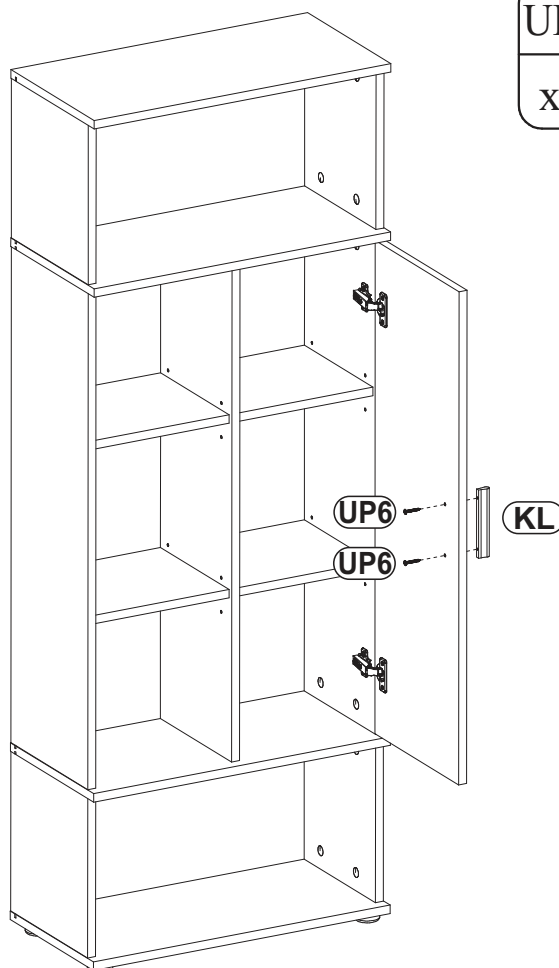
19



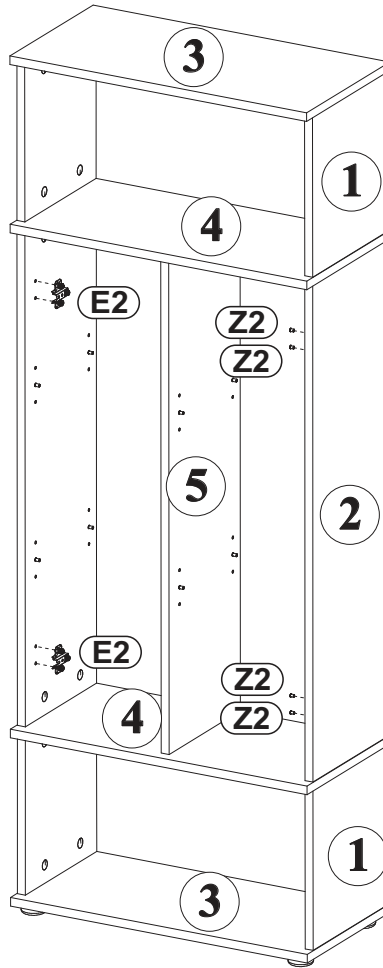
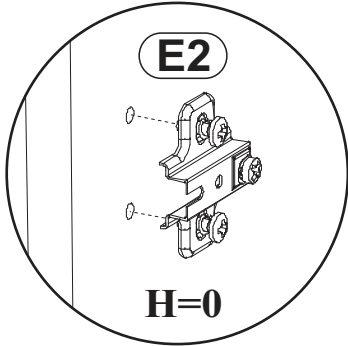
20


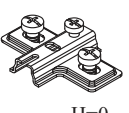


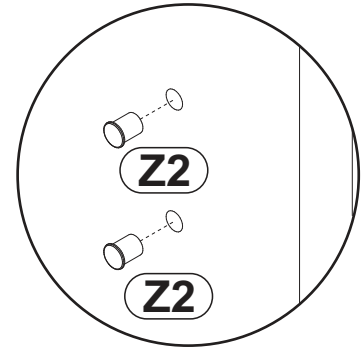
21



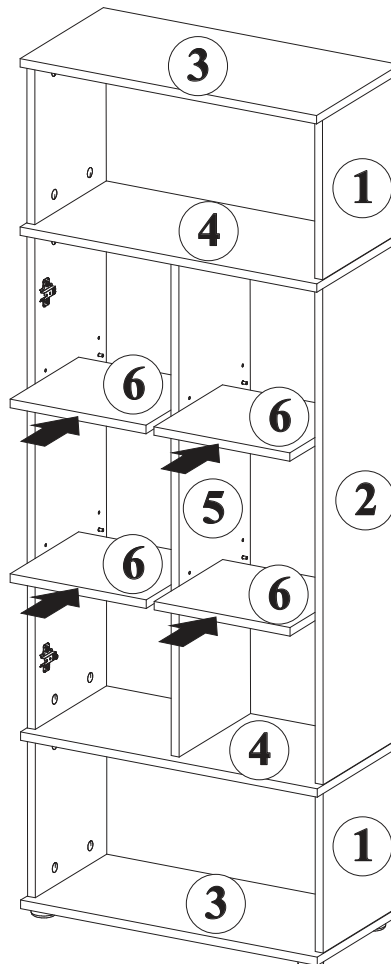
22



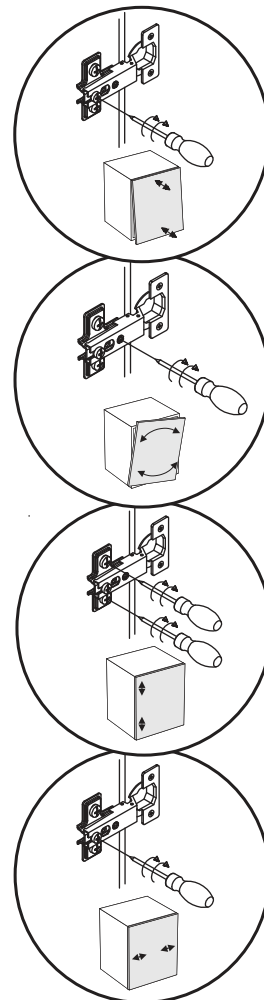
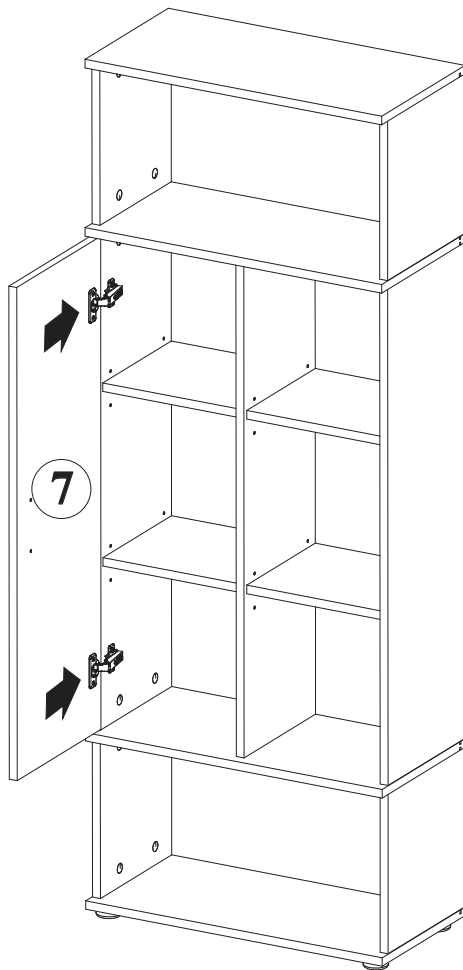
Z2		E2	
x4	Ø5	x2	H=0



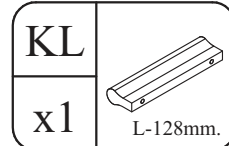
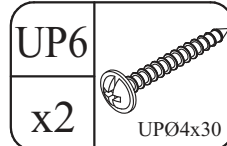
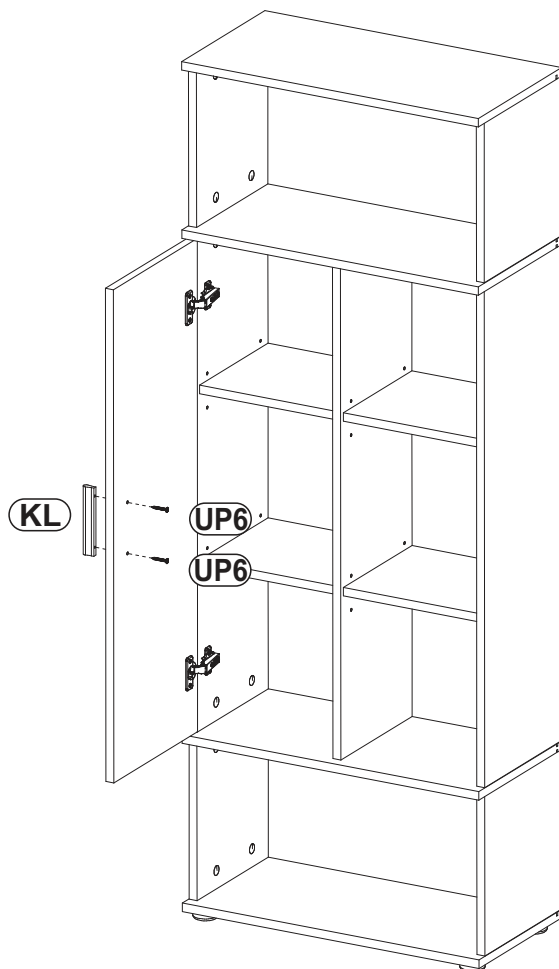
23



24

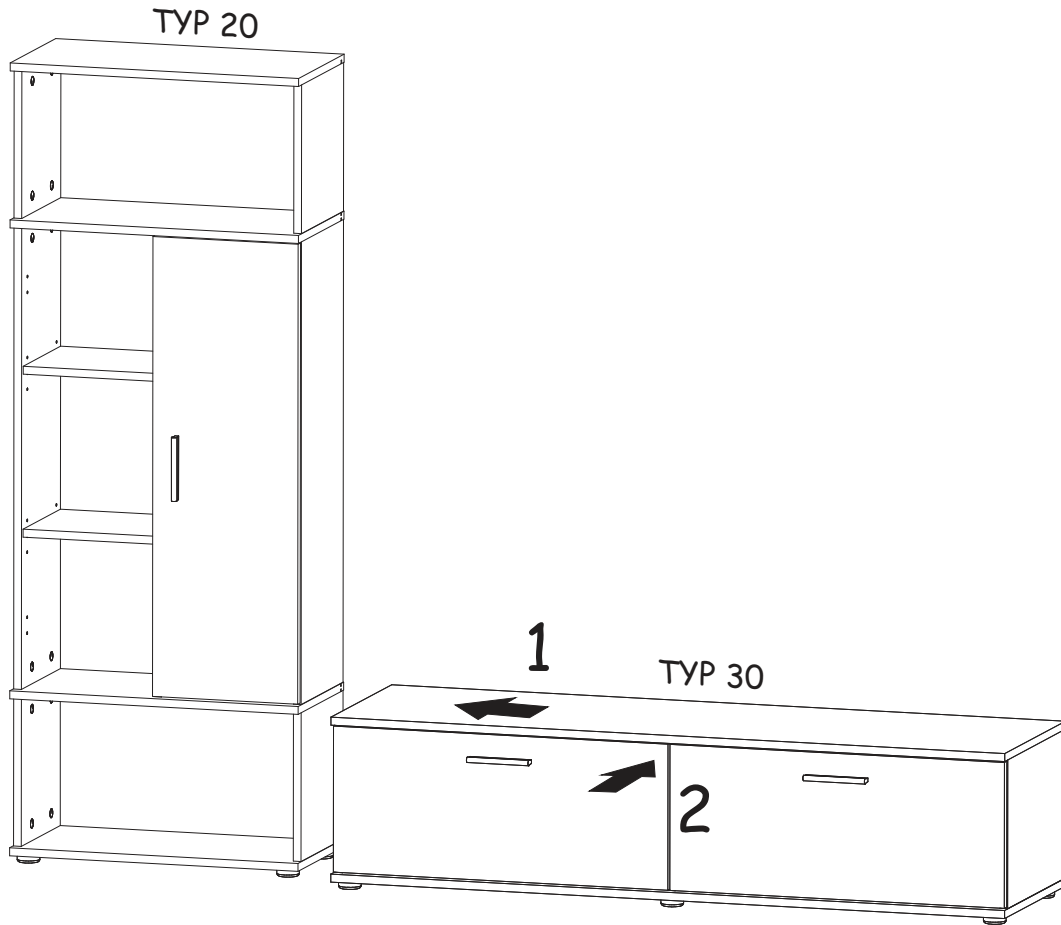


25

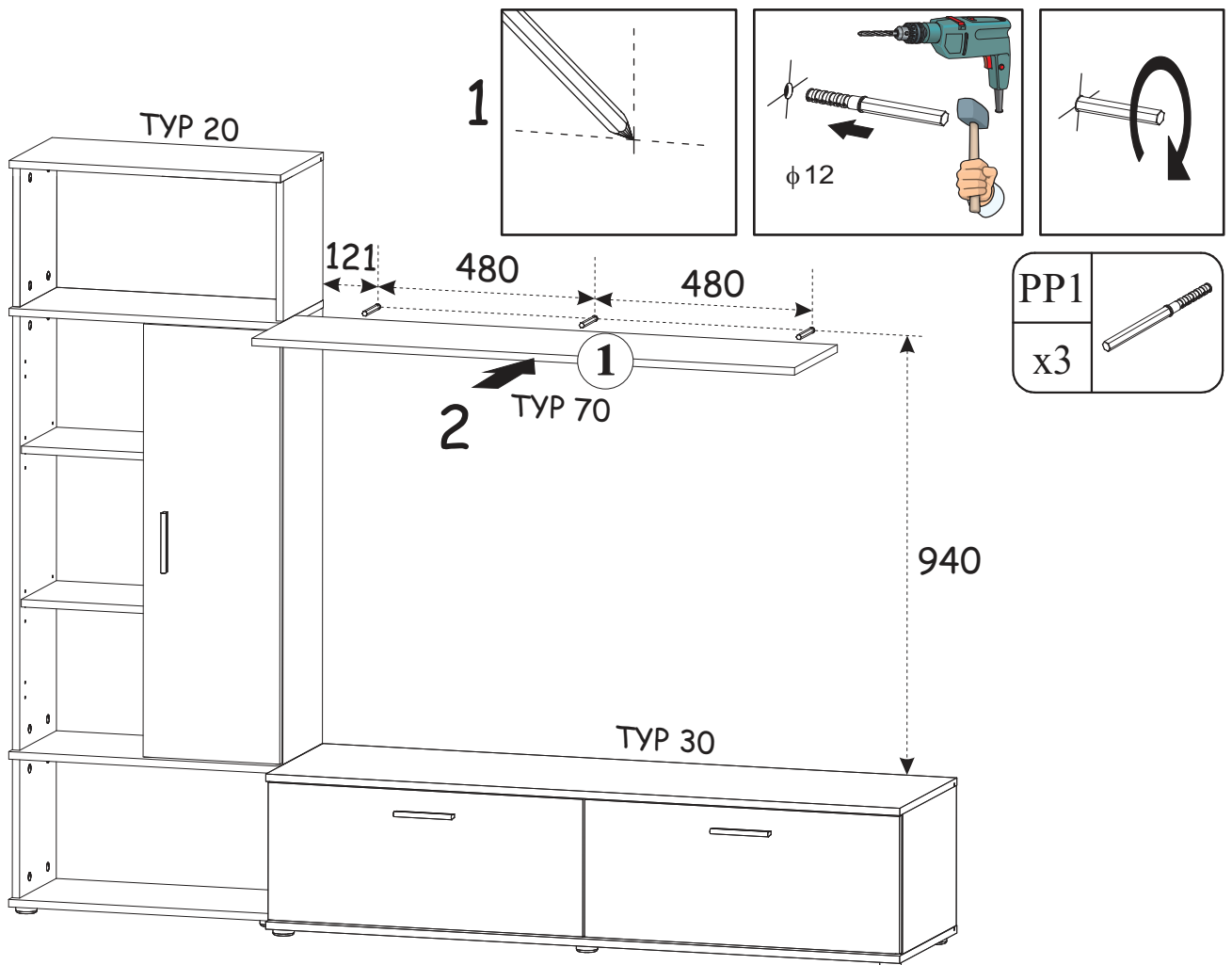


ROI - __ RI

1



2

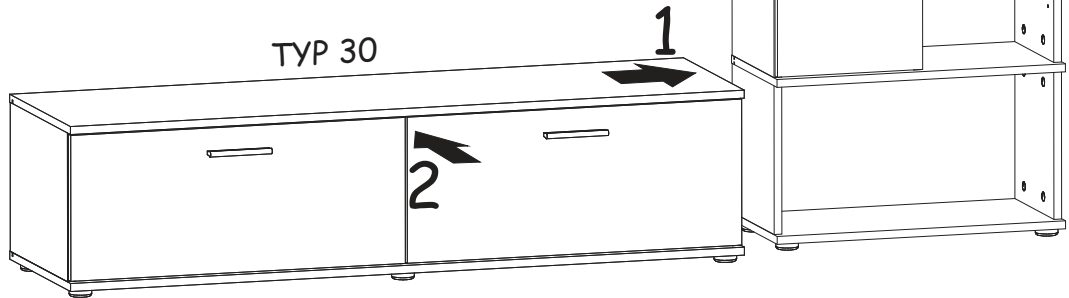


ROI - RI

1

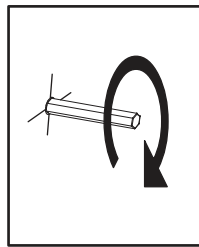
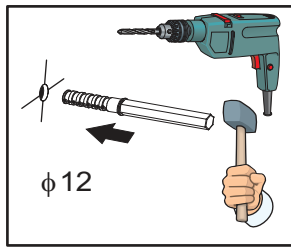
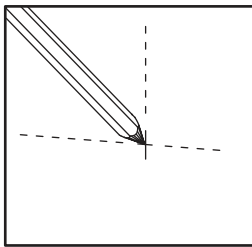
TYP 20

3

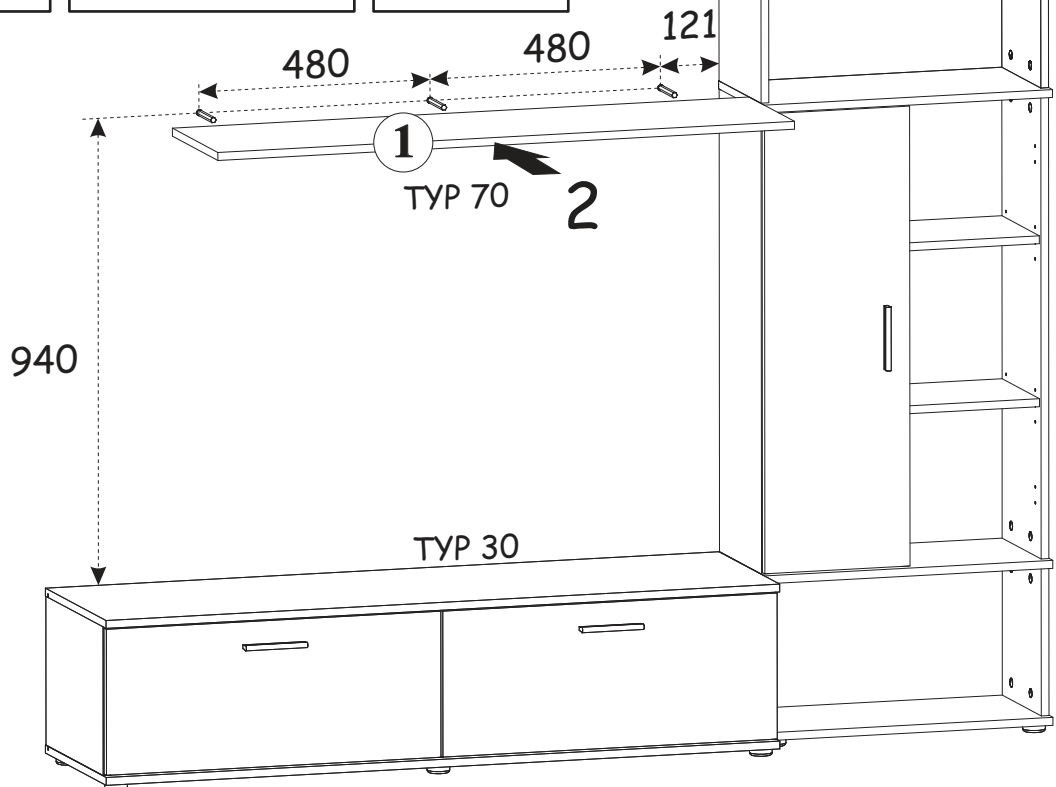
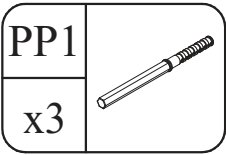


2

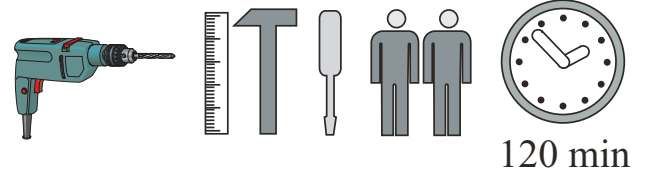
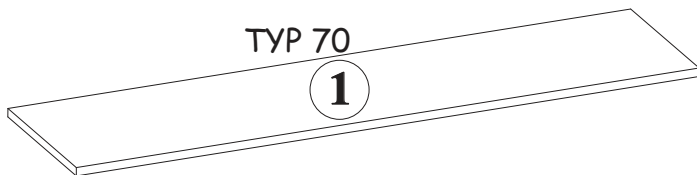
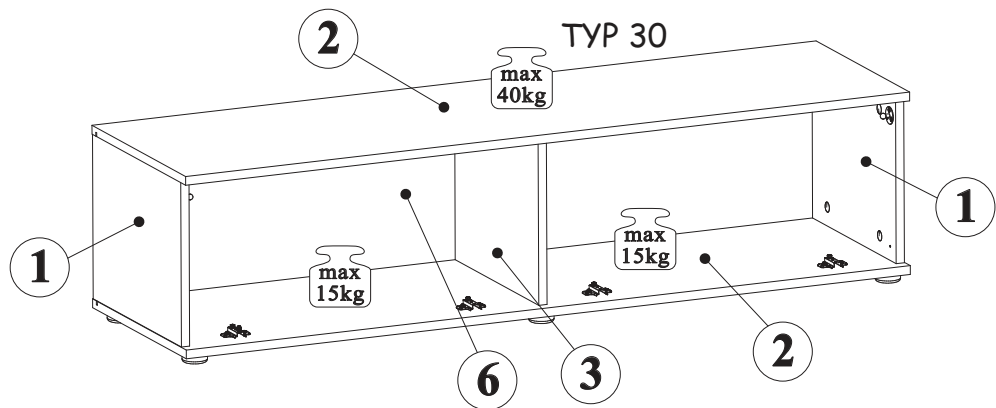
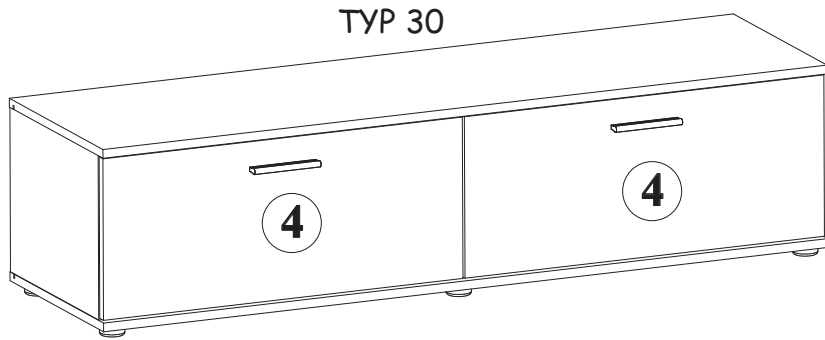
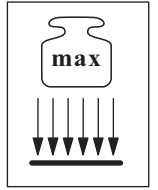
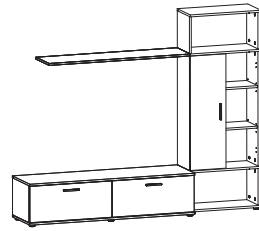
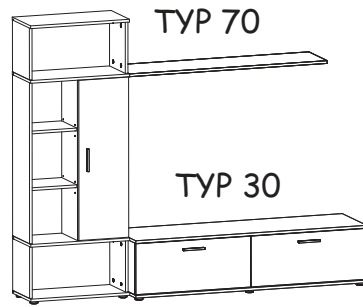
1



TYP 20



ROI - ___ RI - TYP 30; TYP 70



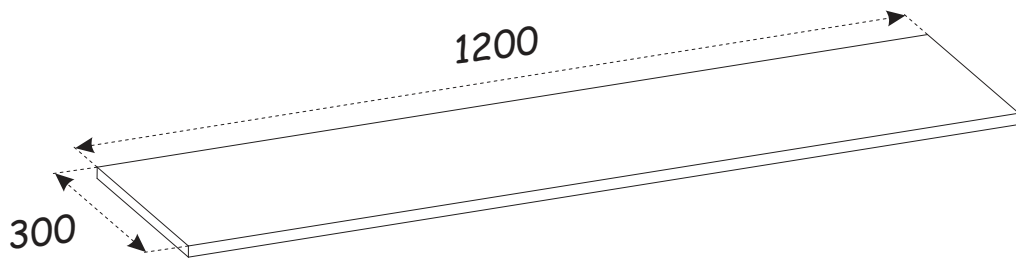
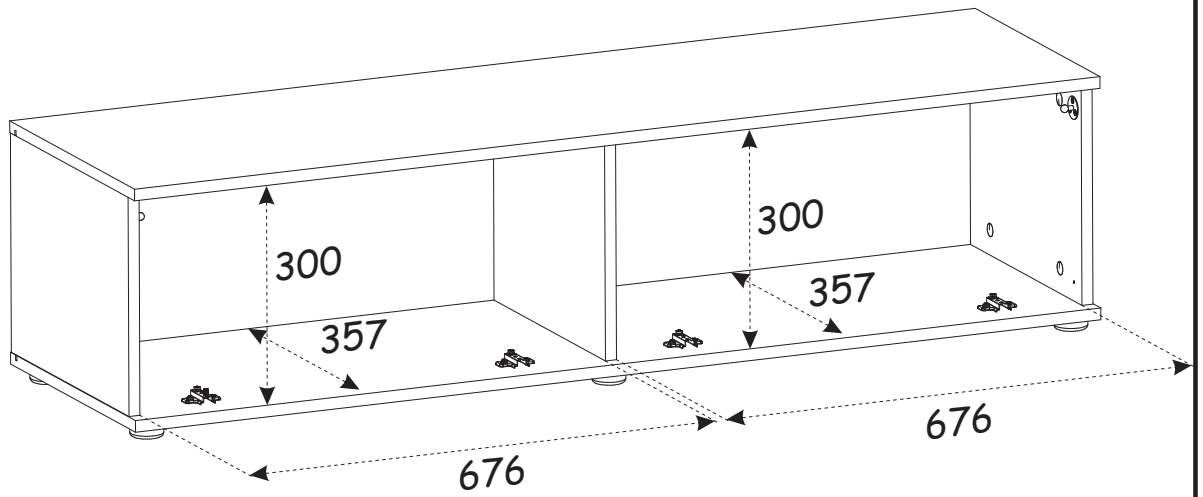
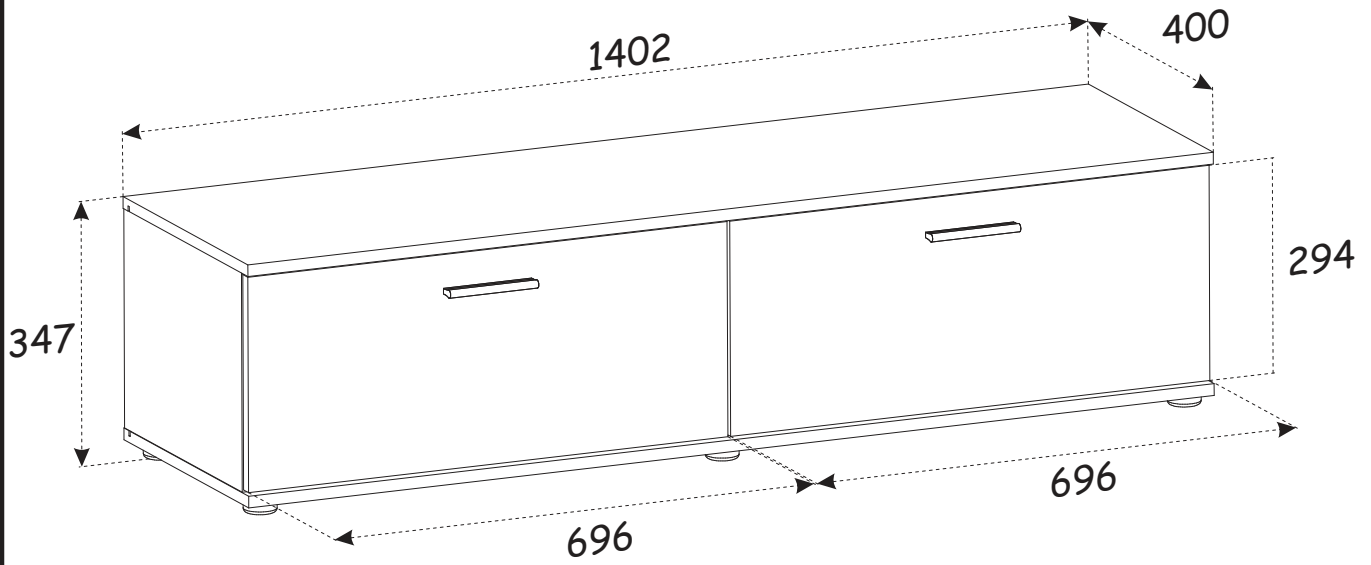
TYP 30

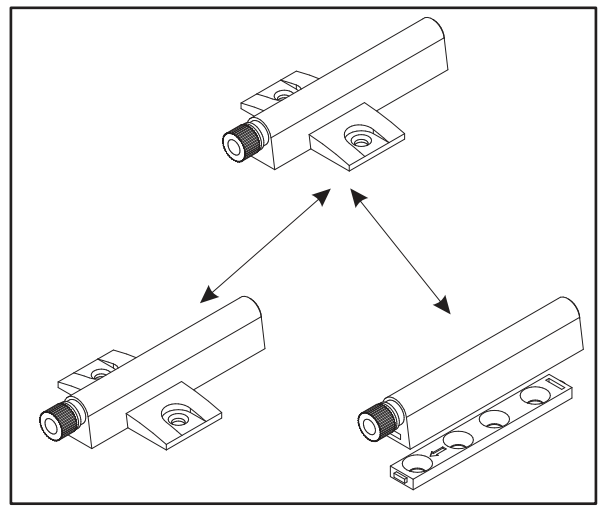
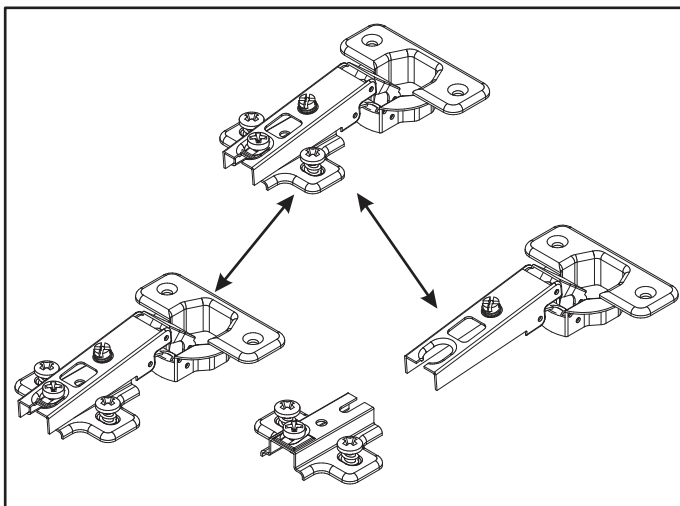
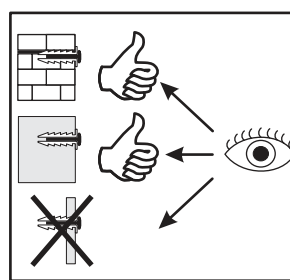
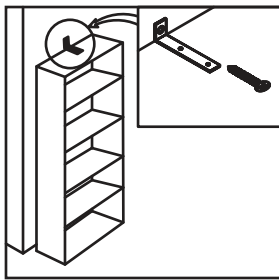
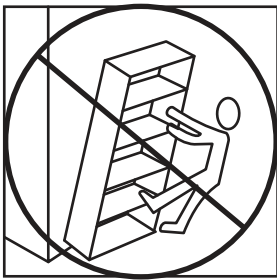
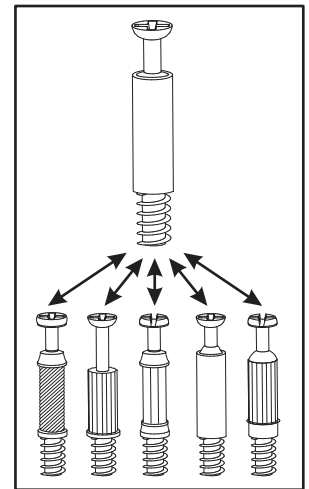
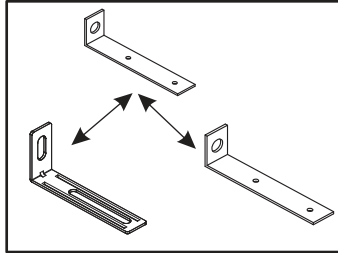
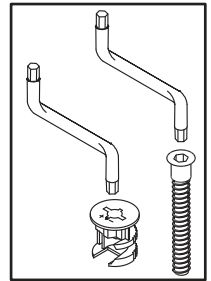
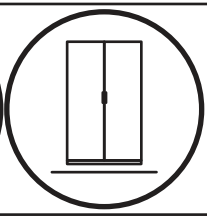
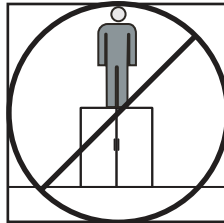
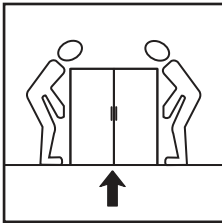
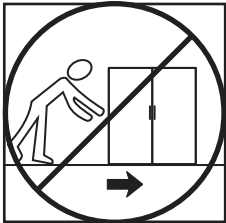
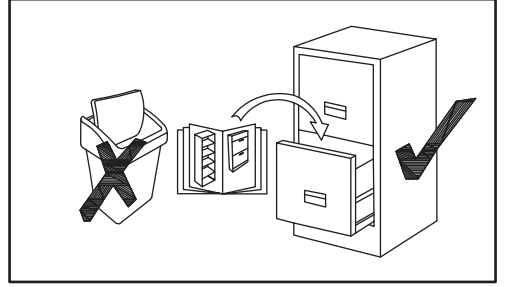
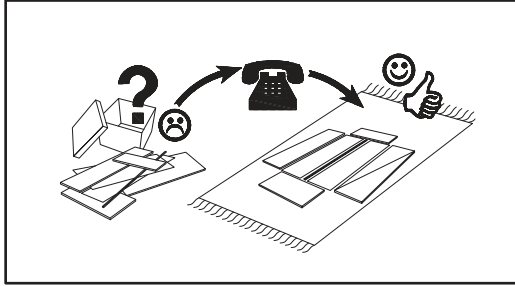
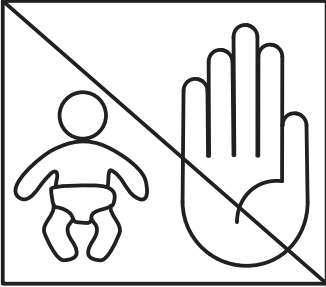
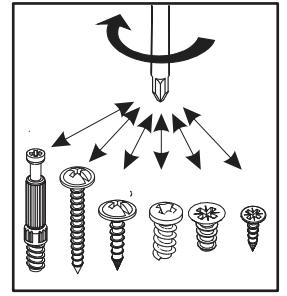
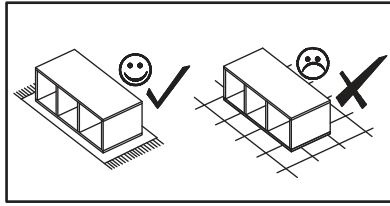
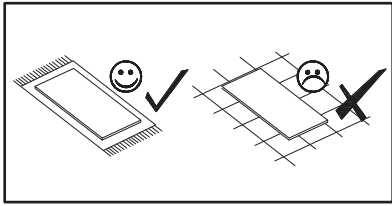
NO	Dim (mm)			Col.-No	Qty
4	696	294	16	2/2	2
1	377	300	16	2/2	2
3	357	300	16	2/2	1
2	1402	400	16	2/2	2
6	689	312	3	2/2	2

TYP 70

NO	Dim (mm)			Col.-No	Qty
1	1200	300	16	2/2	1

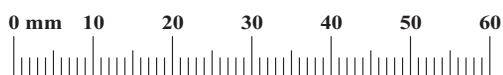
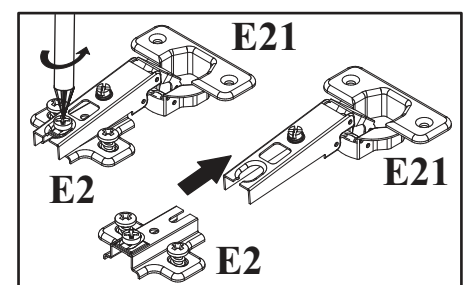
ROI - ___ RI - TYP 30; TYP 70



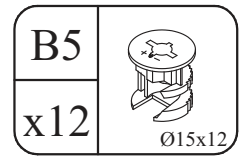
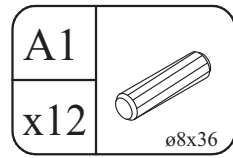


ROI - RI
TYP 30; TYP 70

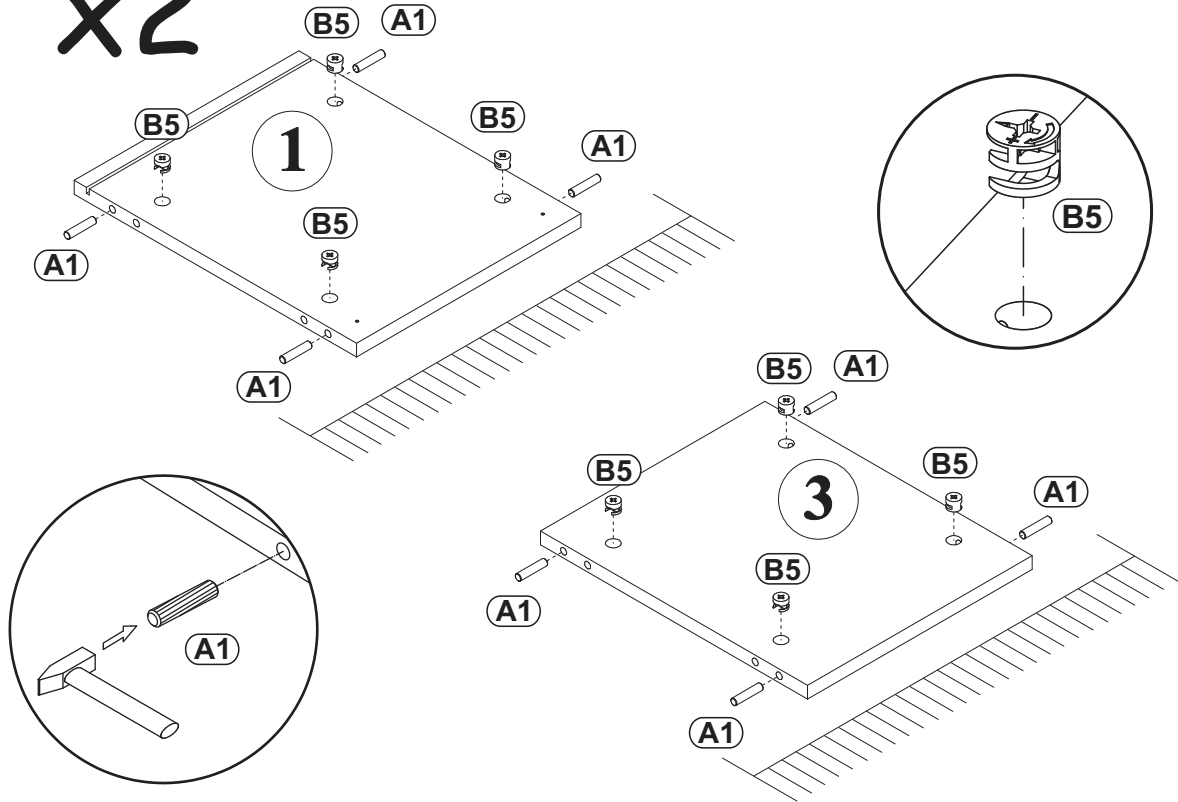
A1 x12 Ø8x36	B4 x12	B5 x12 Ø15x12	G5 x12	E4 x4 H=2	E25 x4 Ø35 H=16
BO1 x2	PP1 x3	S1 x10	G16 x3	I11 x6 Ø45, h=15	KL x2 L-128mm.
D10 x22 USØ3,5x13	UP9 x3 UPØ3,5x16	UP11 x6 UPØ4x20	UP6 x4 UPØ4x30	L1 x2	KR1 x2 Ø8
G2 x1					



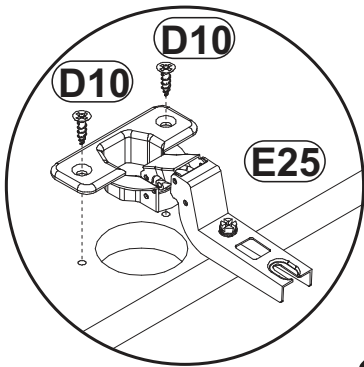
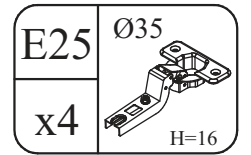
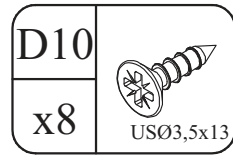
1 TYP 30



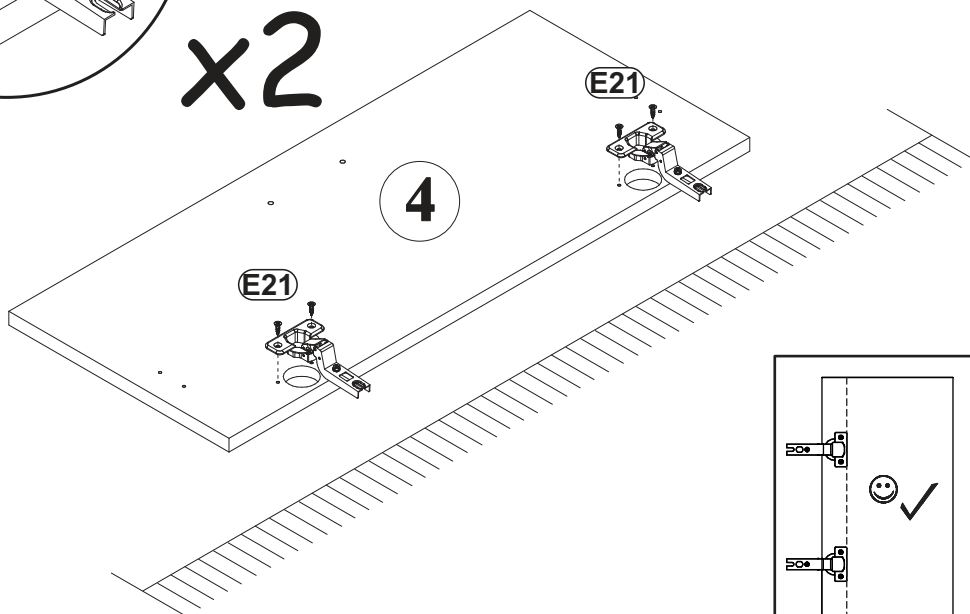
x2




2 TYP 30

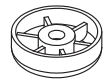


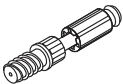
x2

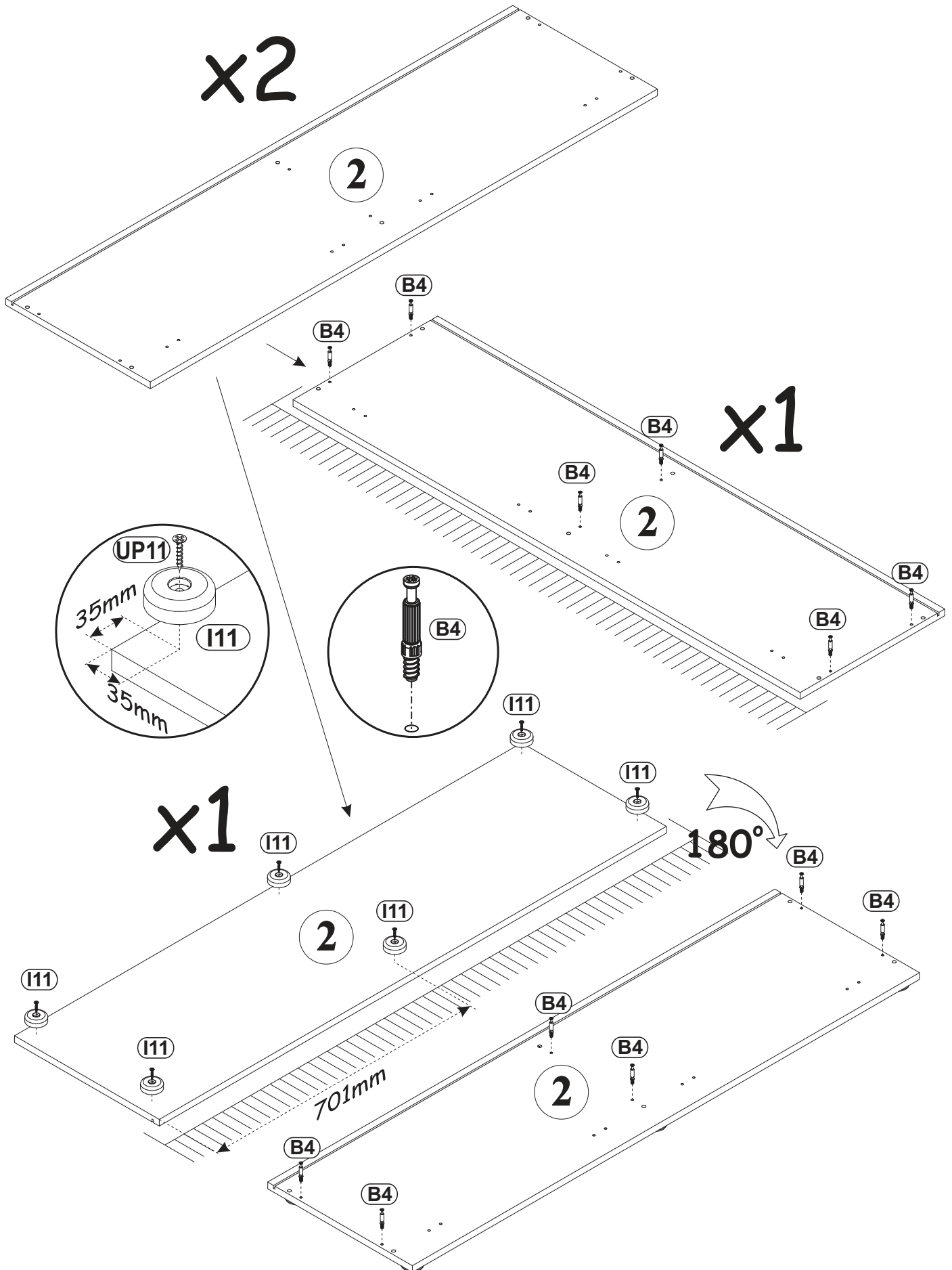



3 TYP 30

UP11	
x6	UPØ4x20

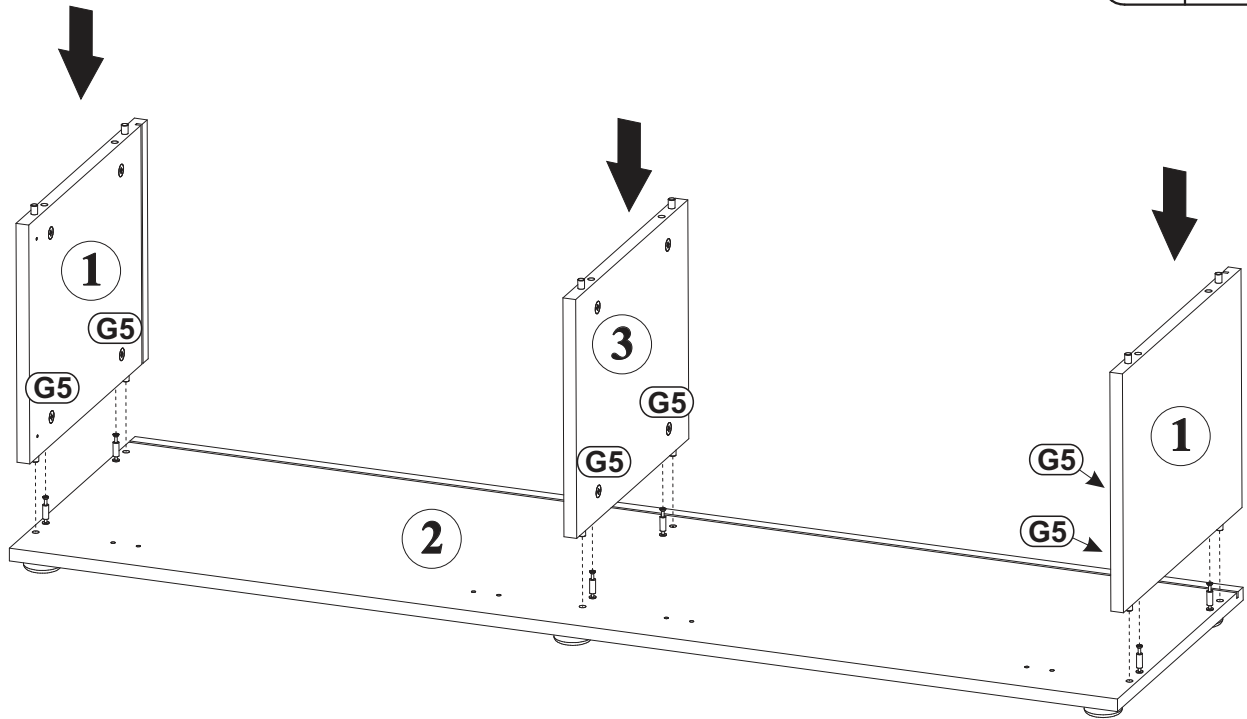
I11	
x6	Ø45, h=15

B4	
x12	

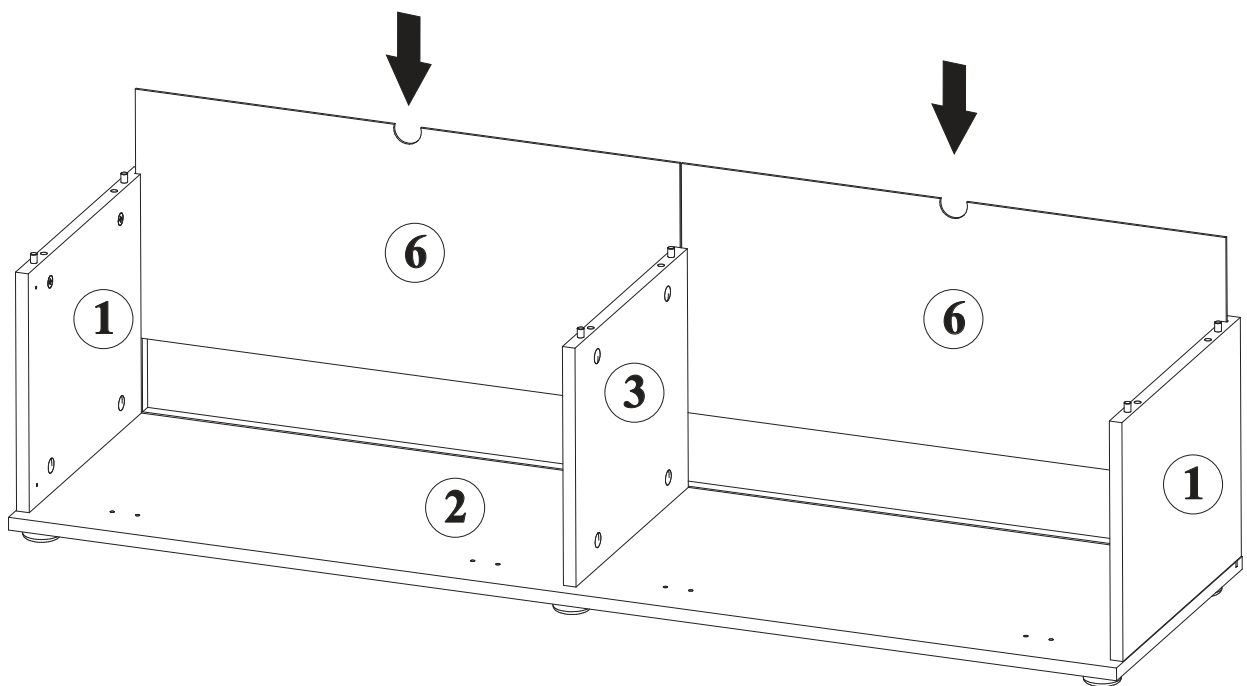


G5	
x6	

4 TYP 30




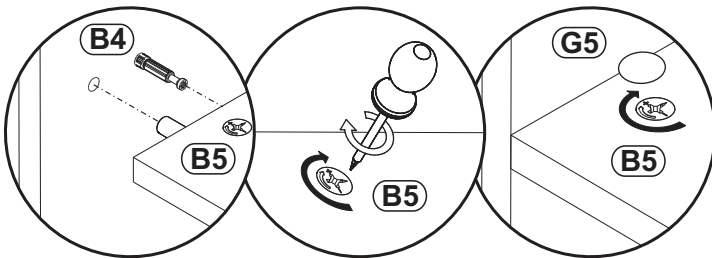
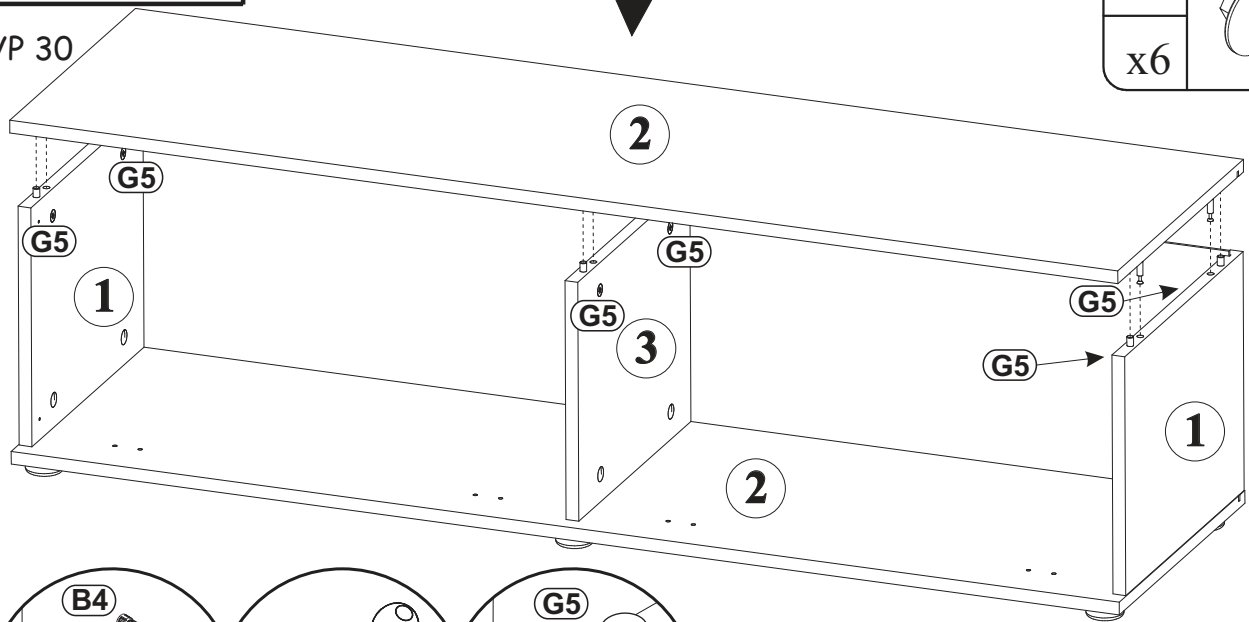
5 TYP 30



ROI - RI
TYP 30; TYP 70


6 TYP 30

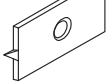
G5	
x6	

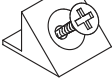


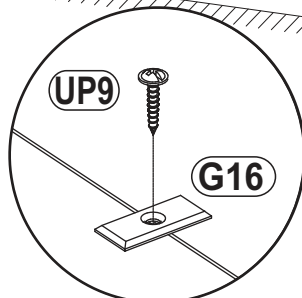
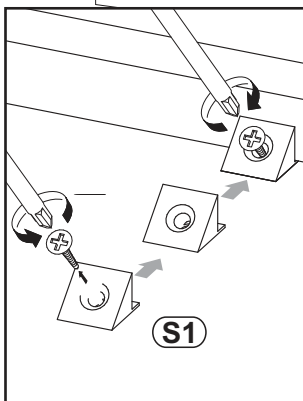
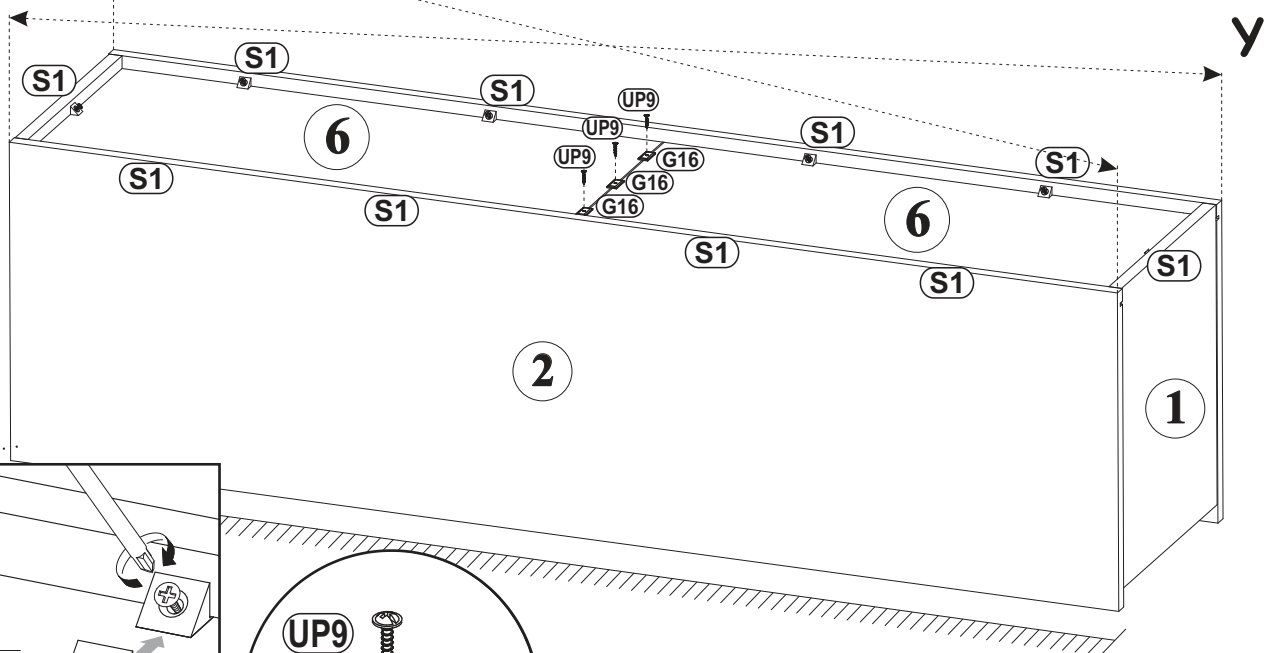
90°

7 TYP 30

UP9	
x3	UP03,5x16

G16	
x3	

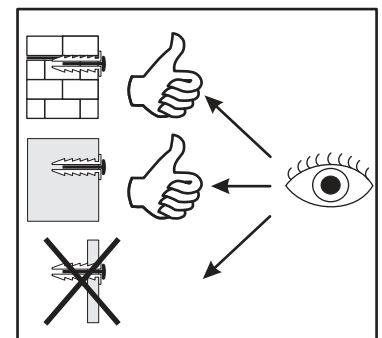
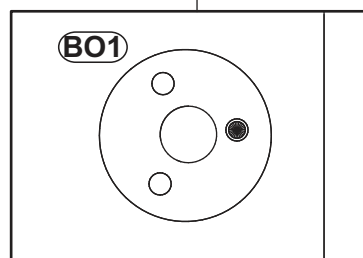
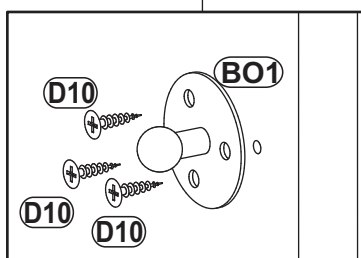
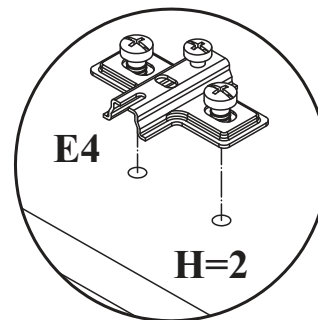
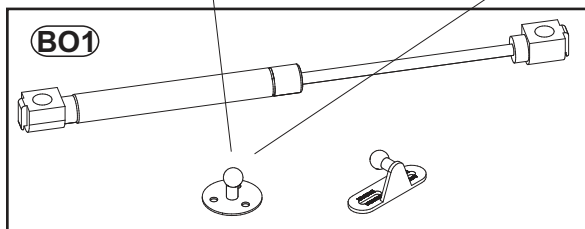
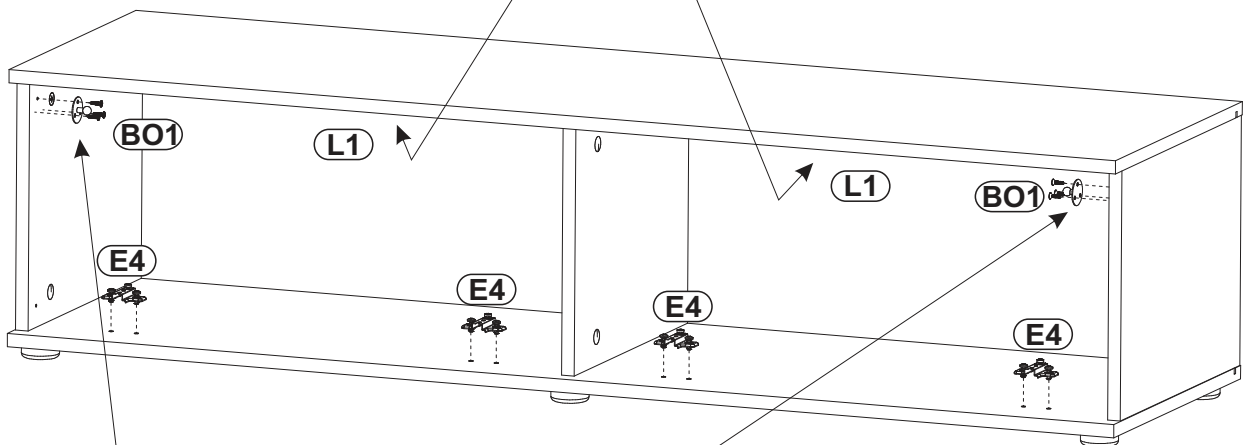
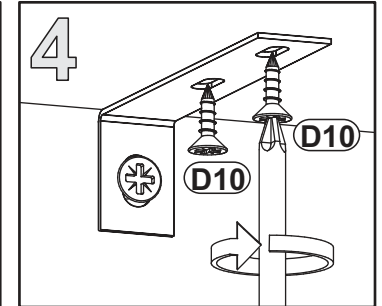
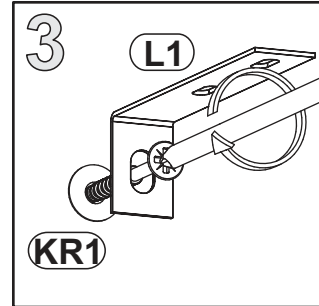
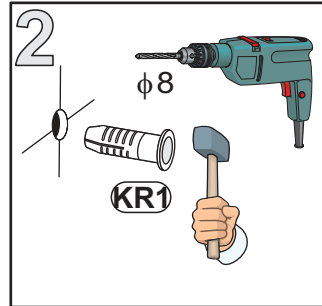
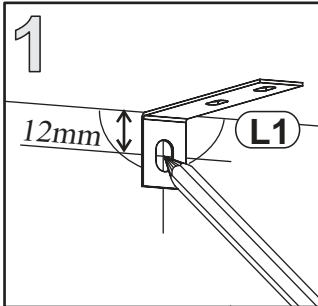
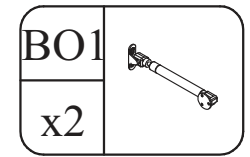
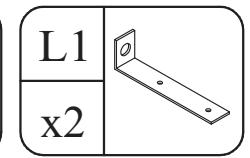
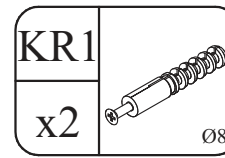
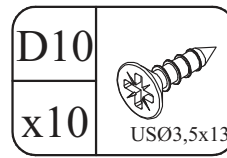
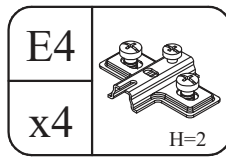
S1	
x10	



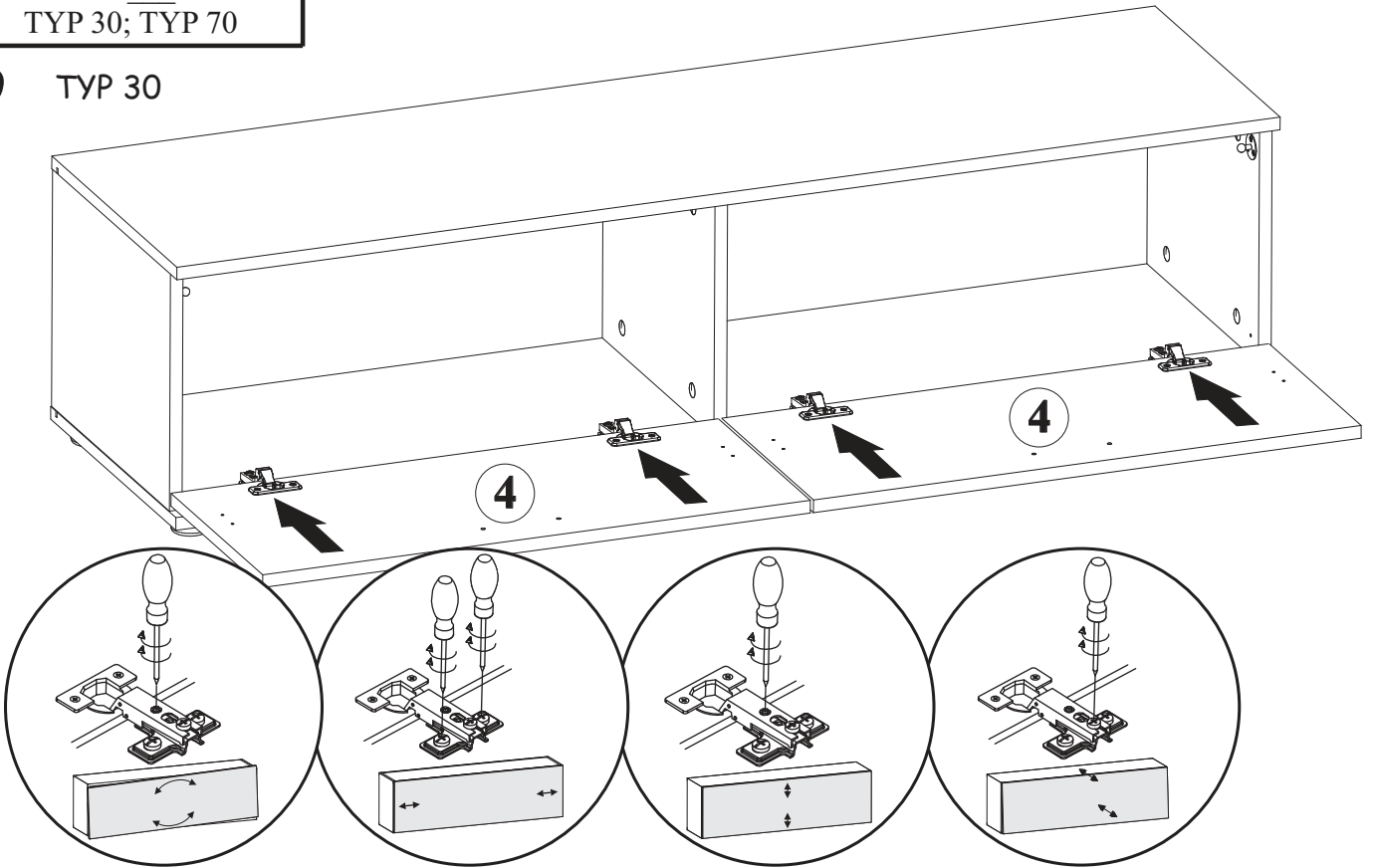
90°

ROI - RI
TYP 30; TYP 70



8 TYP 30

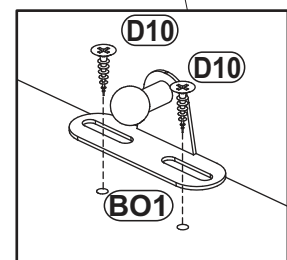
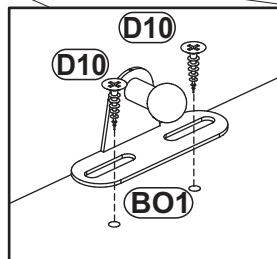
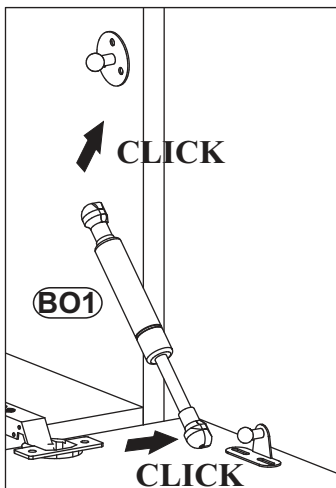
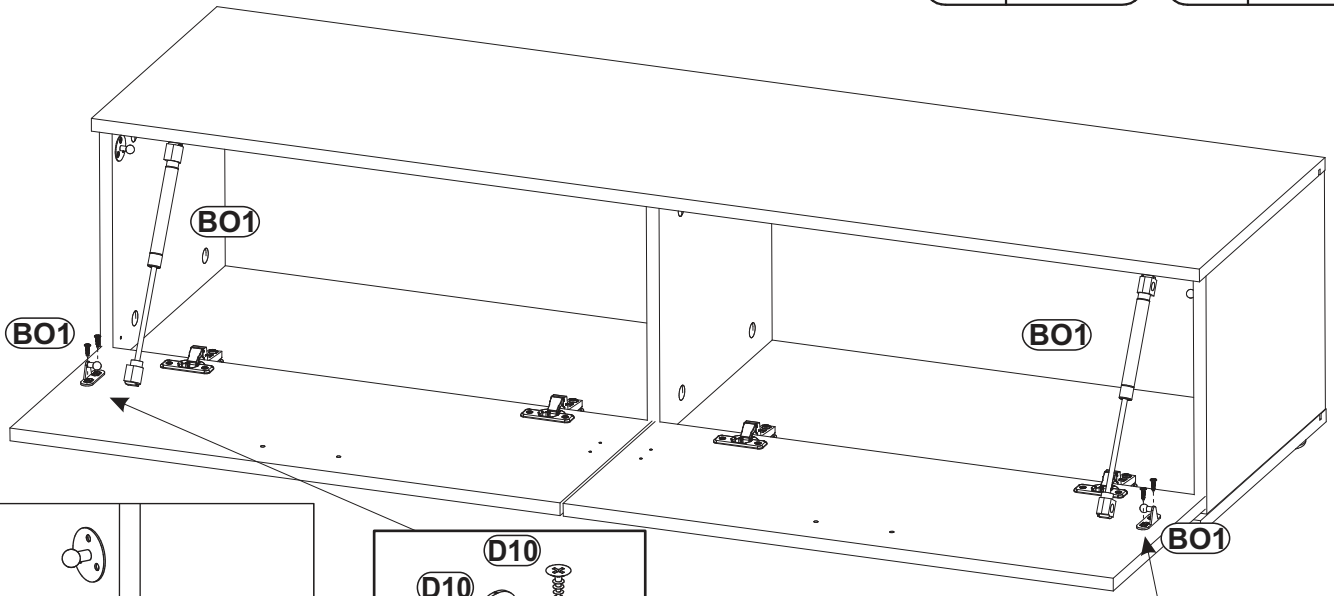


9 TYP 30





10 TYP 30

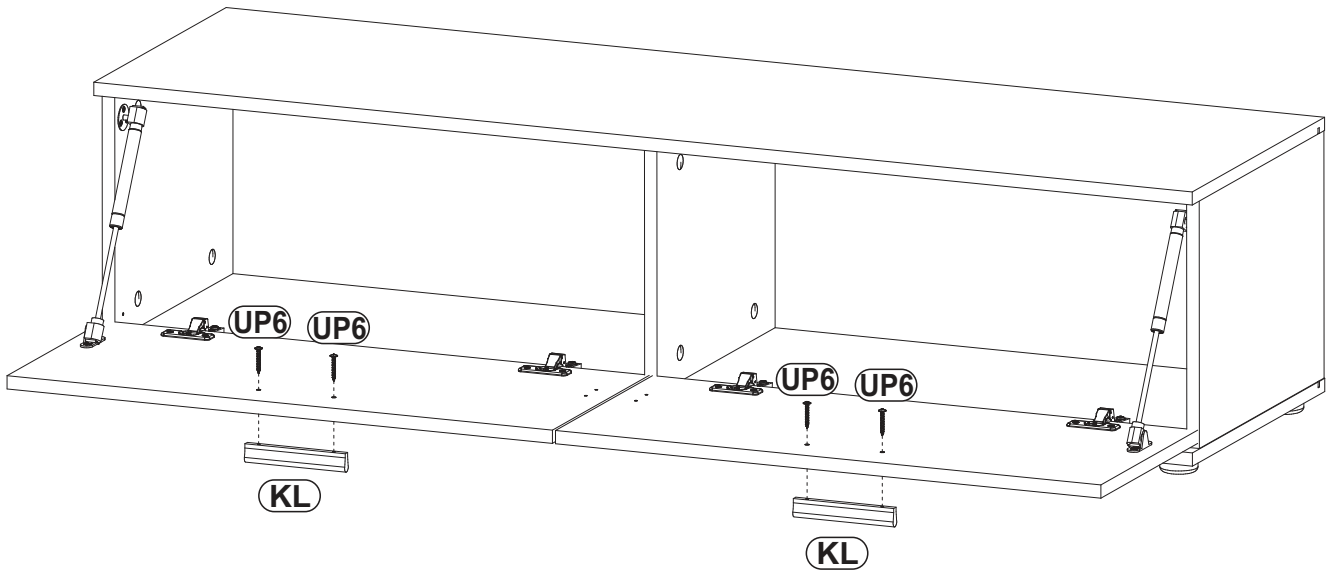
D10		BO1	
x4	USØ3,5x13	x2	



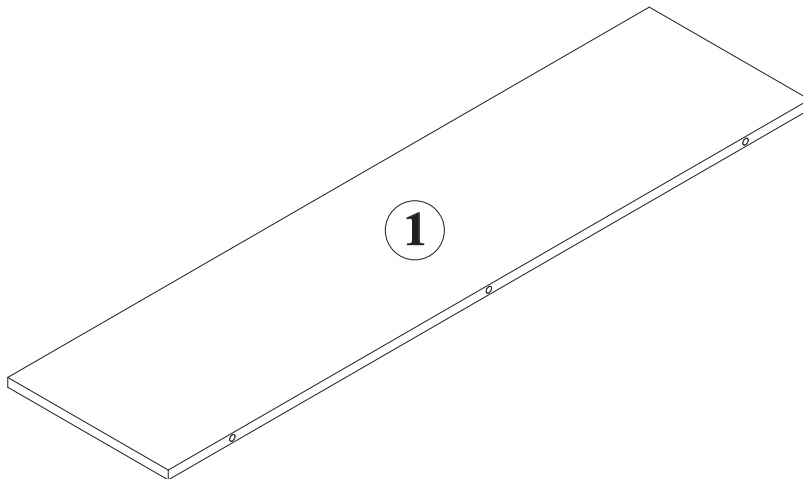
ROI - RI
TYP 30; TYP 70

11 TYP 30

UP6		KL	
x4	UPØ4x30	x2	L-128mm.

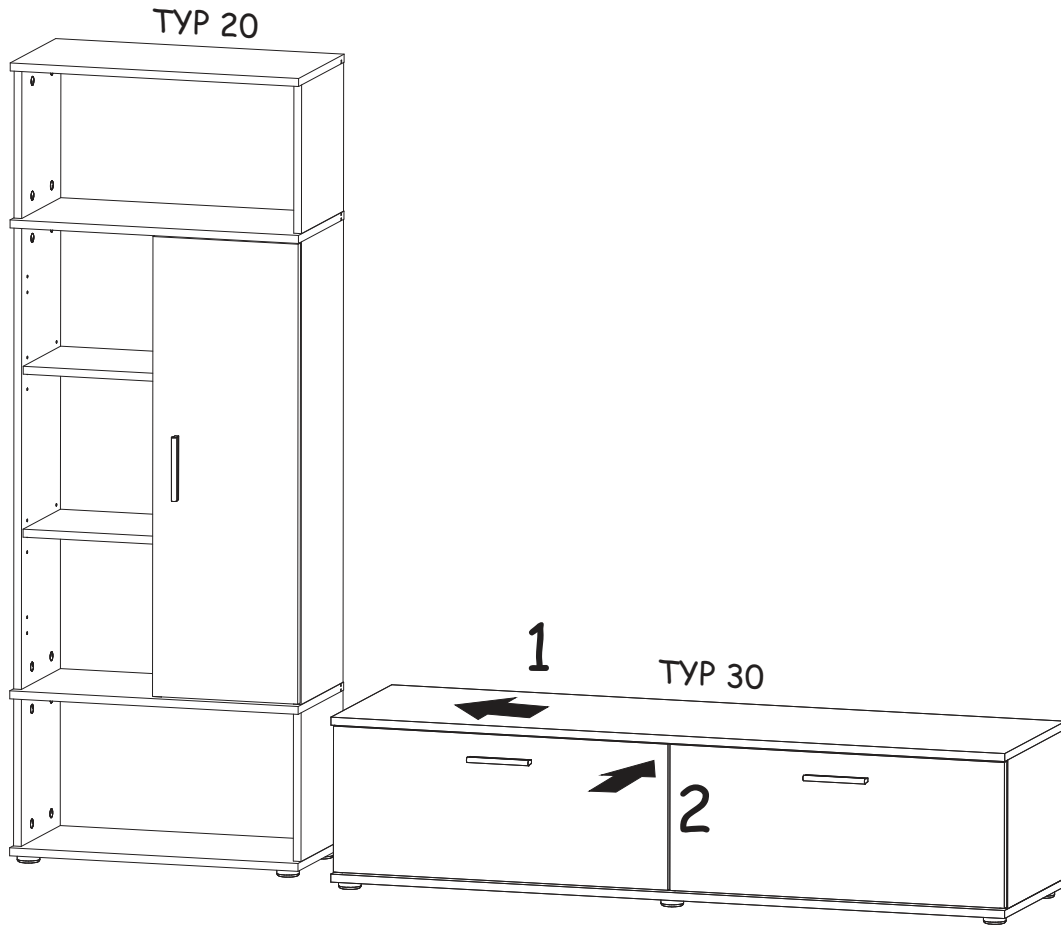


12 TYP 70

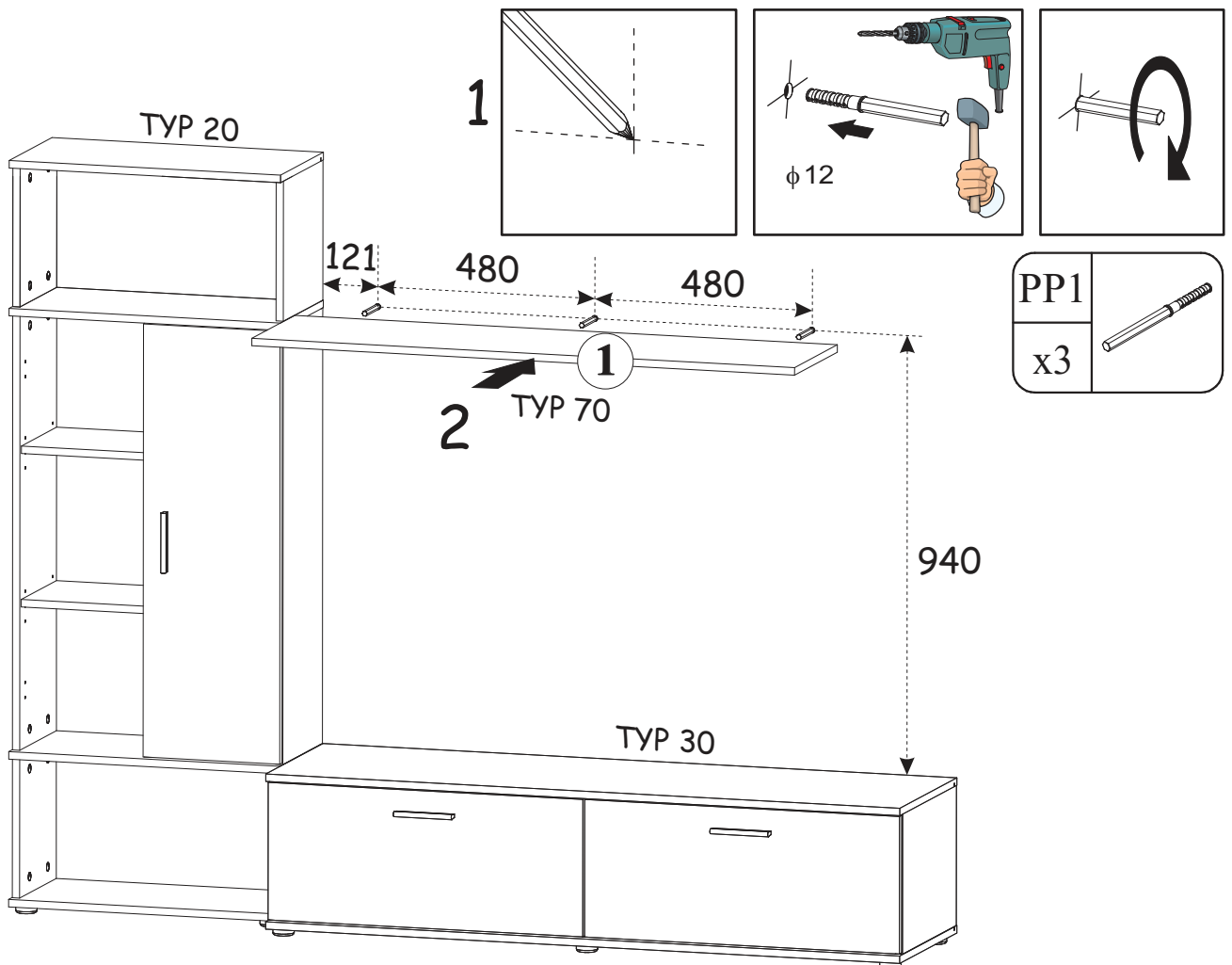


ROI - __ RI

1



2

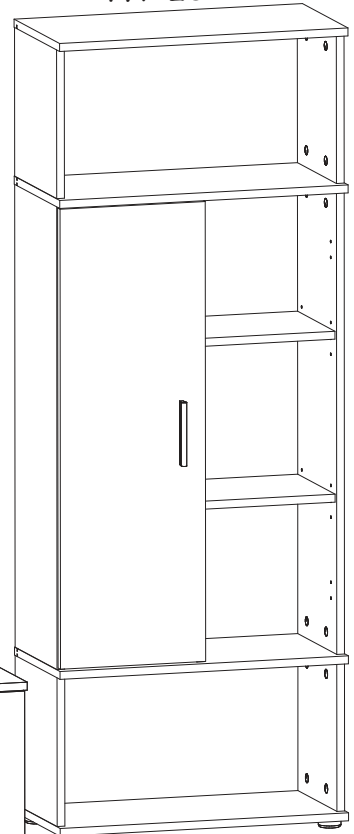
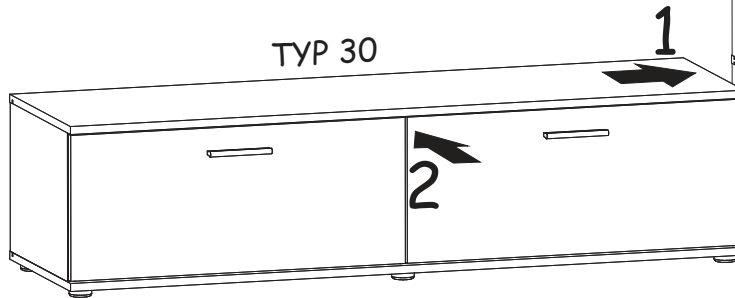


ROI - RI

1

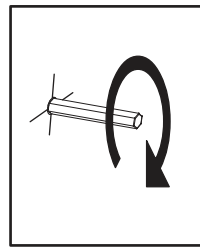
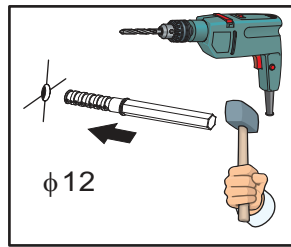
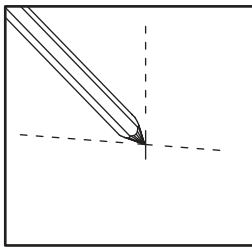
TYP 20

3



2

1



TYP 20

