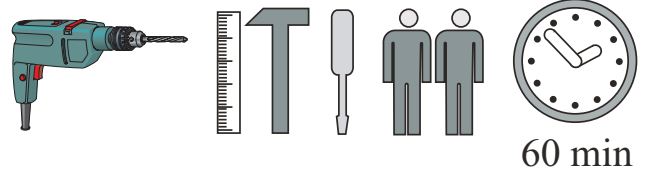
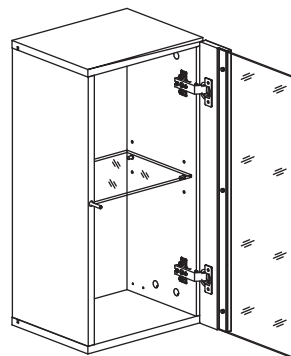
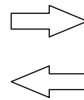
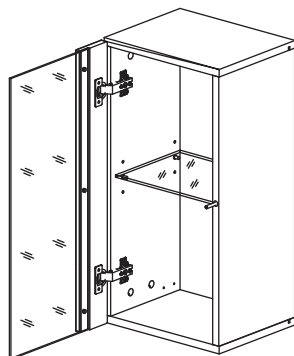
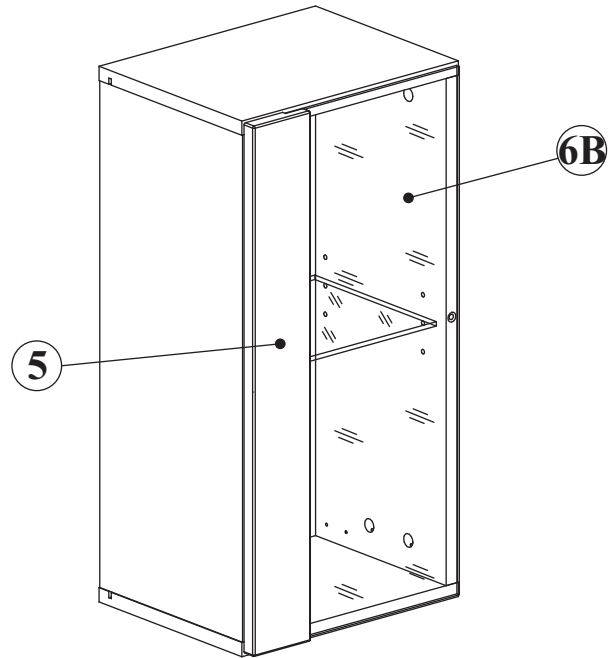
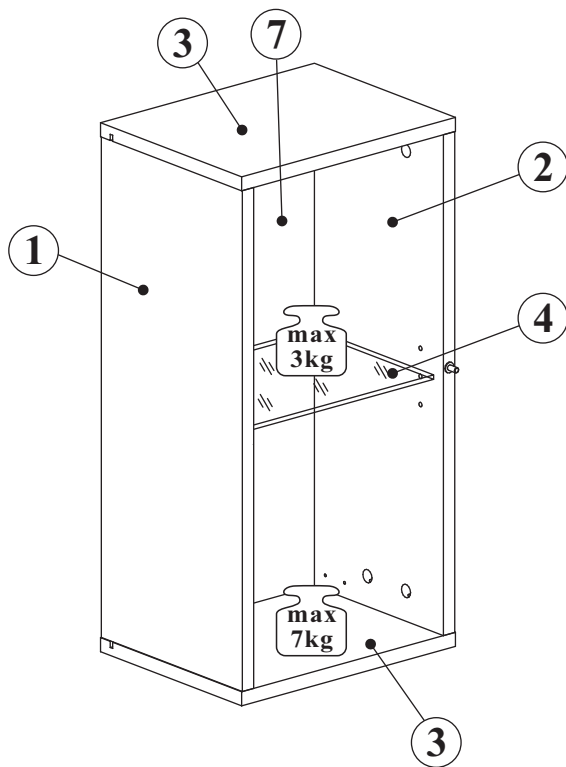
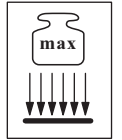


SWITCH 27 -- SW WW 4

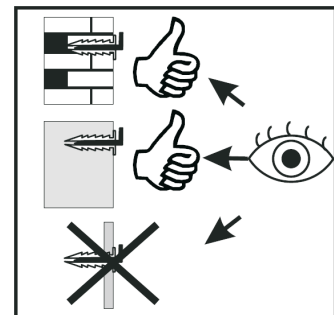
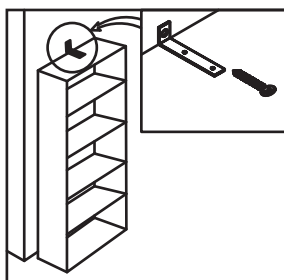
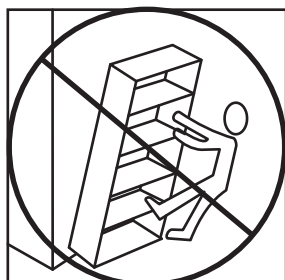
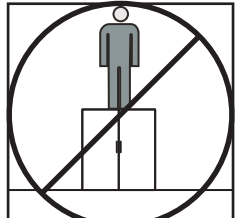
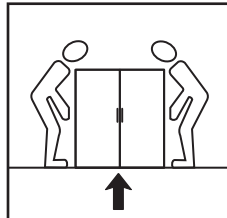
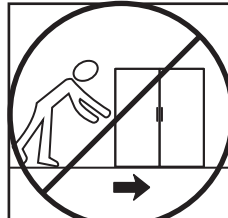
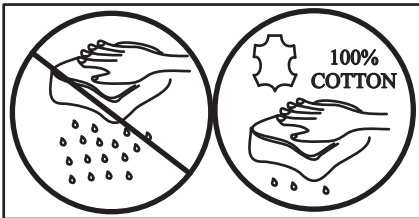
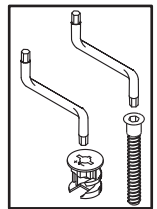
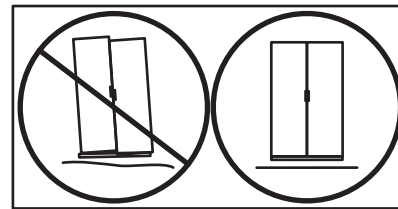
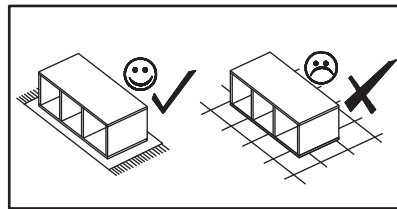
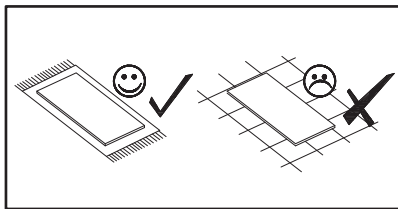
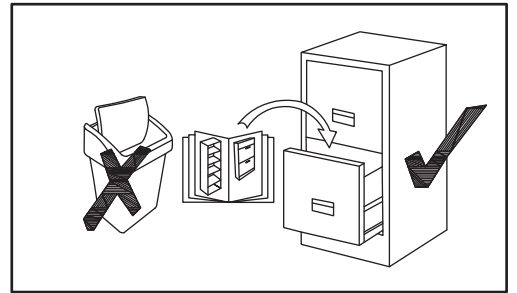
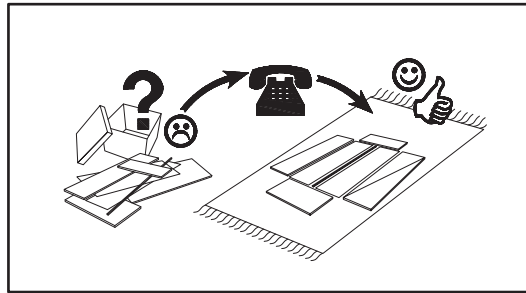
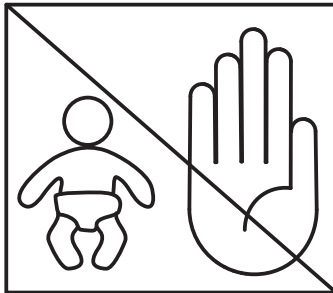
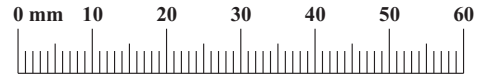


60 min

NO	Dim.			Col-No	Qty
1	570	234	16	1	1
2	570	234	16	1	1
3	302	234	16	1	2
4	266	199	5	1	1
7	582	280	3	1	1
5	80	596	16	1	1
6B	594	241	4	1	1

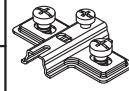
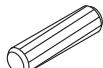

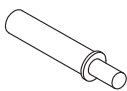
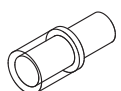
SWITCH WW 4

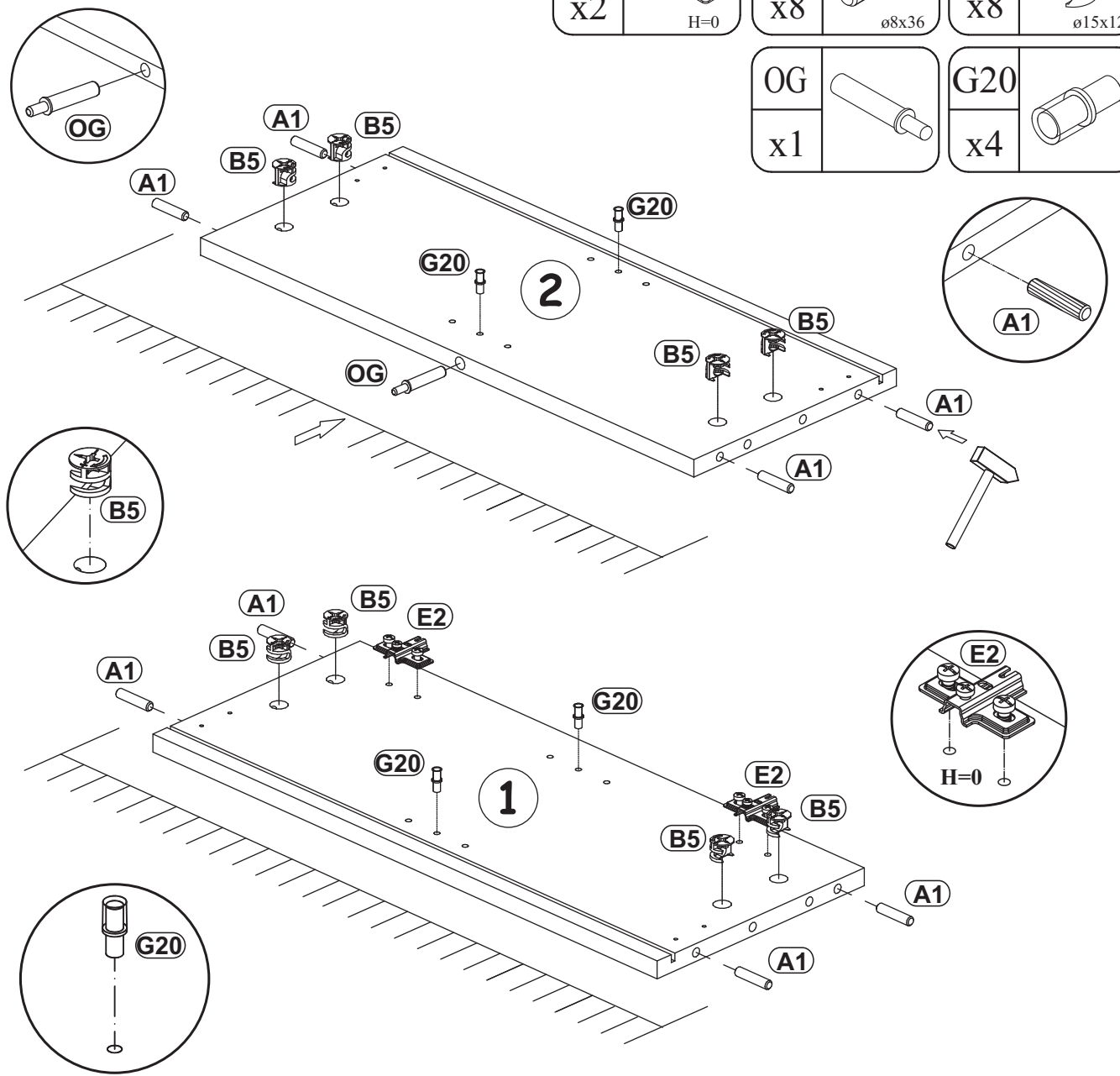
A1 x8 ø8x36	B4 x8	G5 x8	B5 x8 ø15x12	ZR1 x2	D6 x4 USØ3,5x30
E1 x2 Ø26 H=0	E2 x2 H=0	D10 x4 USØ3,5x13	OG x1	S1 x6	KR2 x2 Ø8
G20 x4	G2 x1	P2 x3	UP13 x3 UPØ3x16	LED x1	



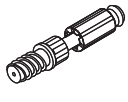
SWITCH WW 4

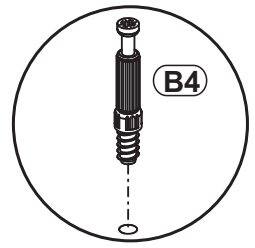
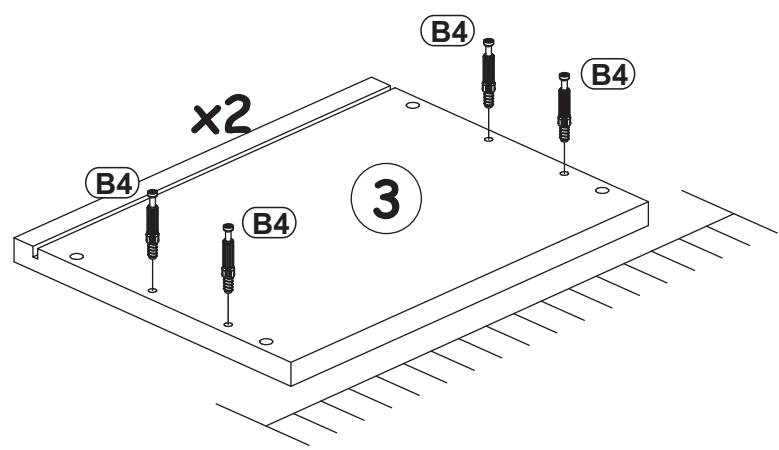
1

E2 x2	 H=0	A1 x8	 ø8x36	B5 x8	 ø15x12
OG x1		G20 x4			



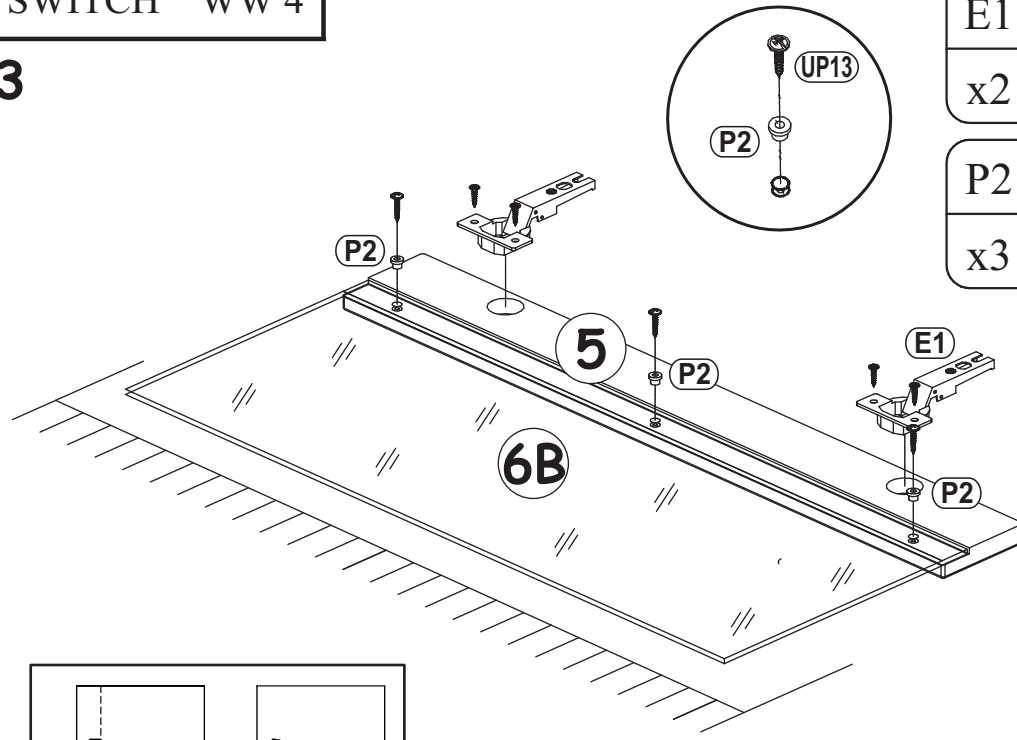
2

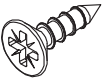
B4 x8	
----------	---


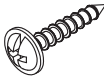


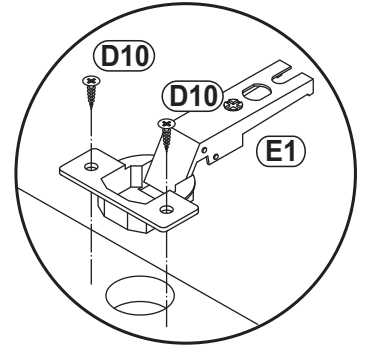
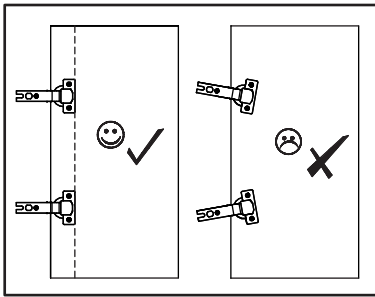
SWITCH WW 4

3

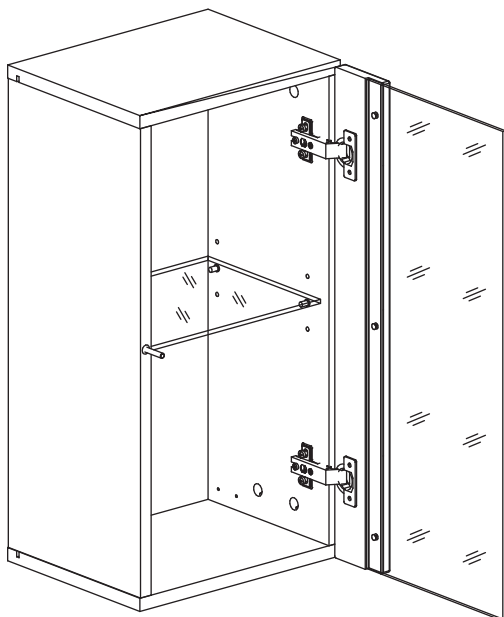


E1	Ø26	D10	
x2	H=0	x4	USØ3,5x13

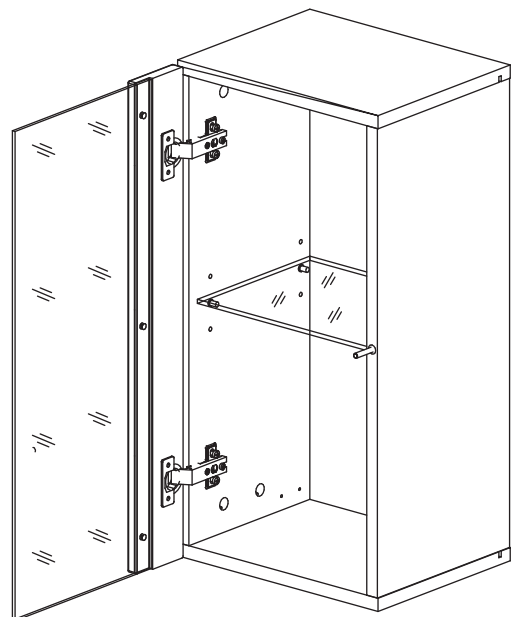
P2		UP13	
x3		x3	UPØ3x16



4 - 8

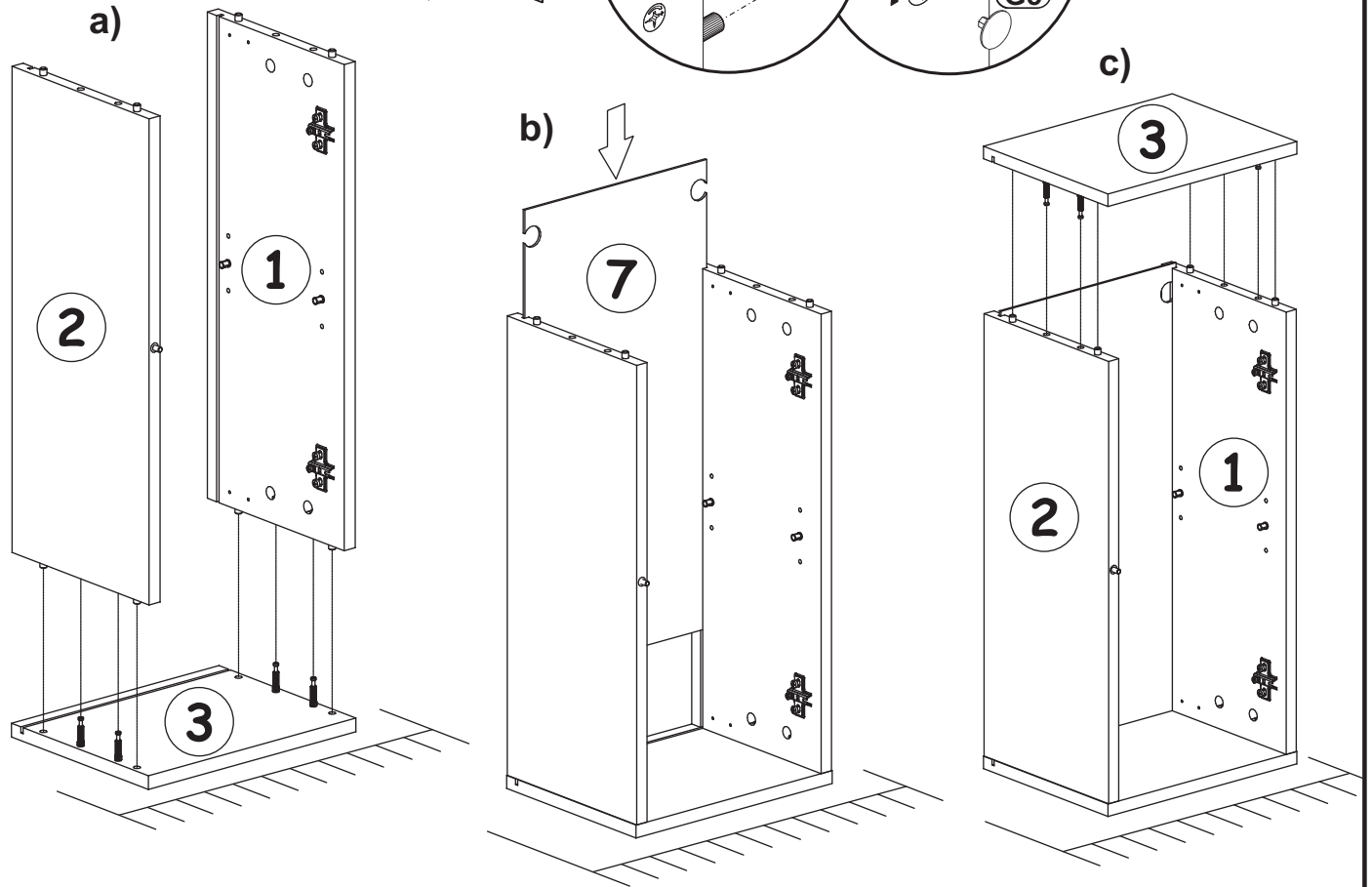


9 - 13

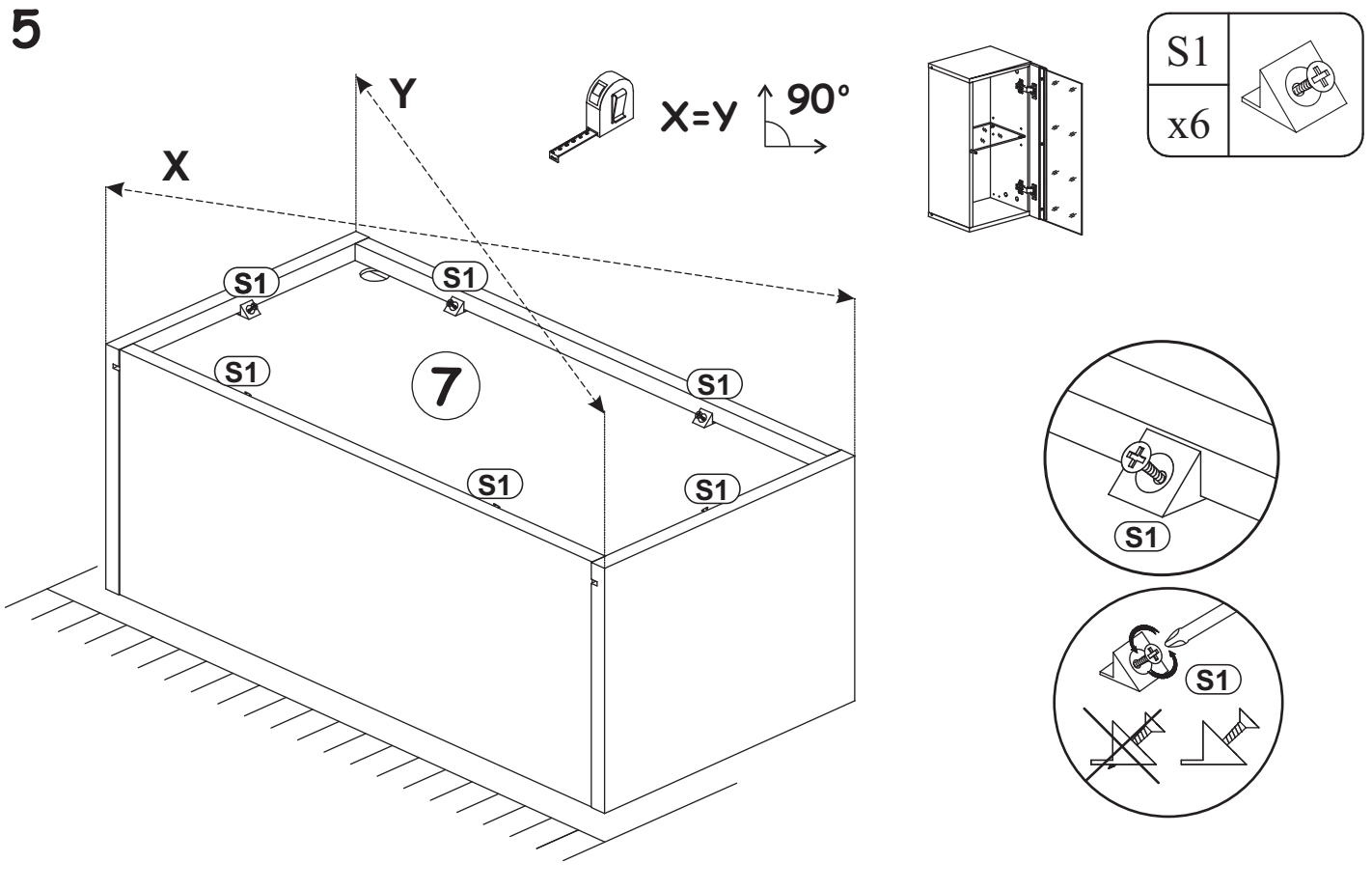


SWITCH WW 4

4

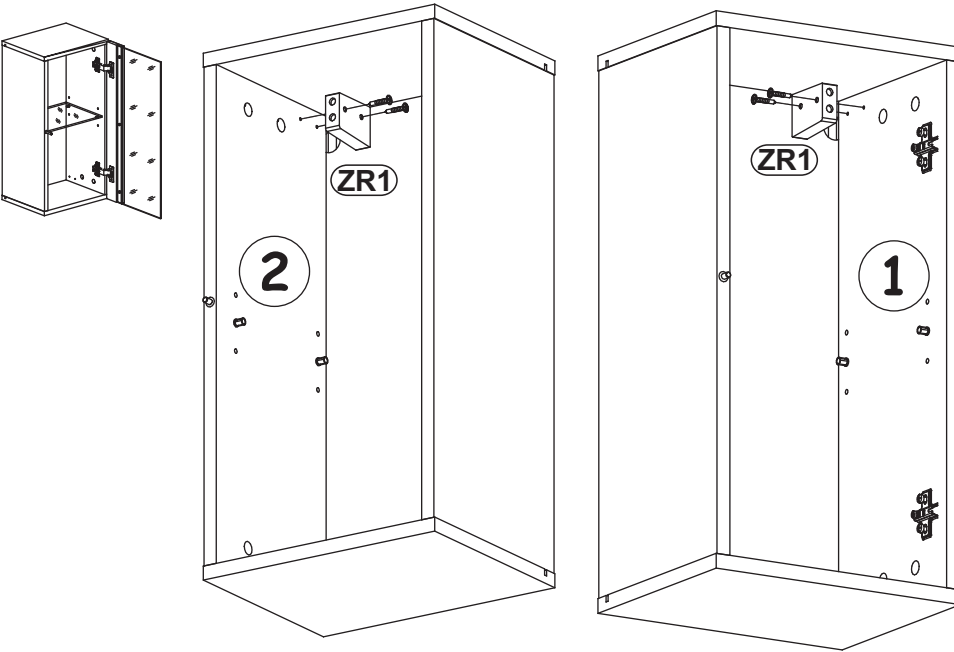


5



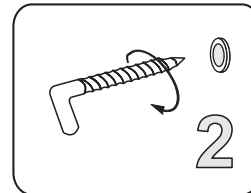
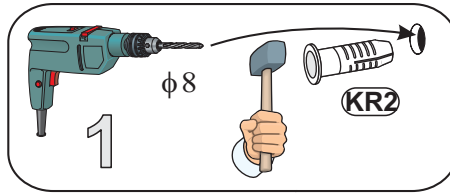
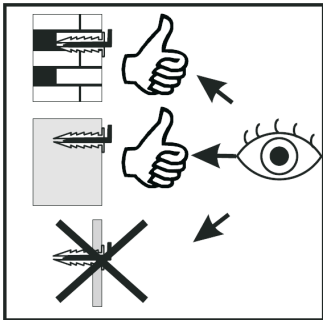
SWITCH WW 4

6

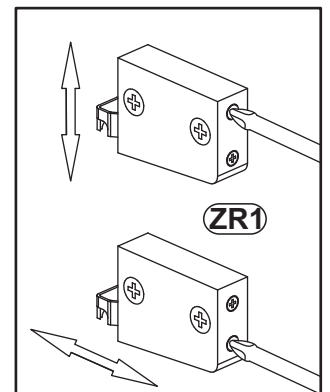
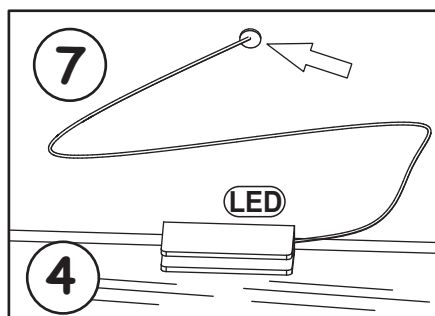
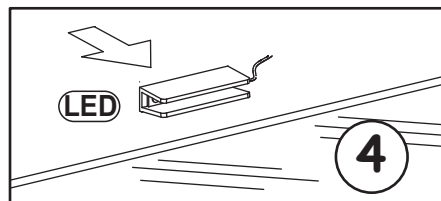
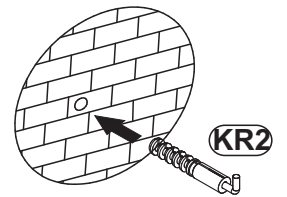
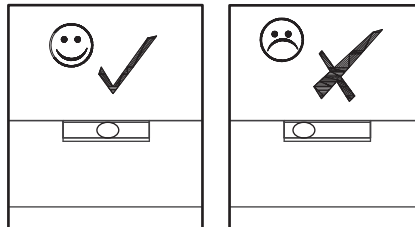
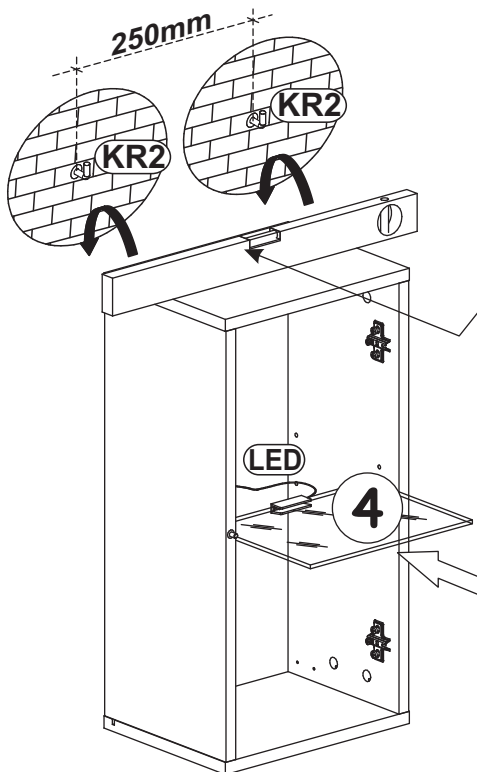


ZR1		D6	
x2		x4	US03,5x30

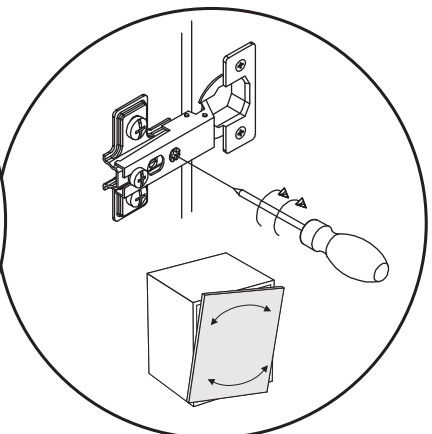
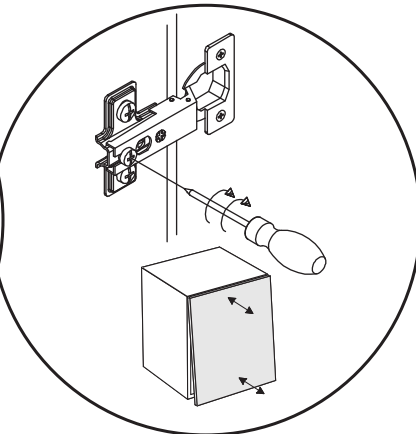
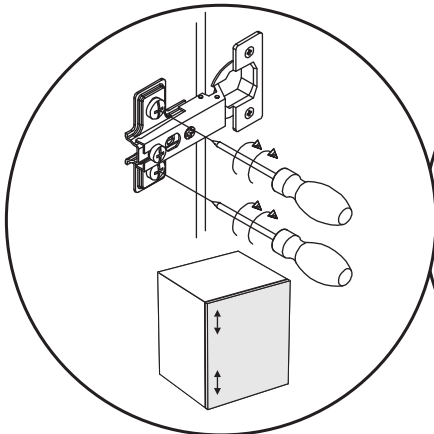
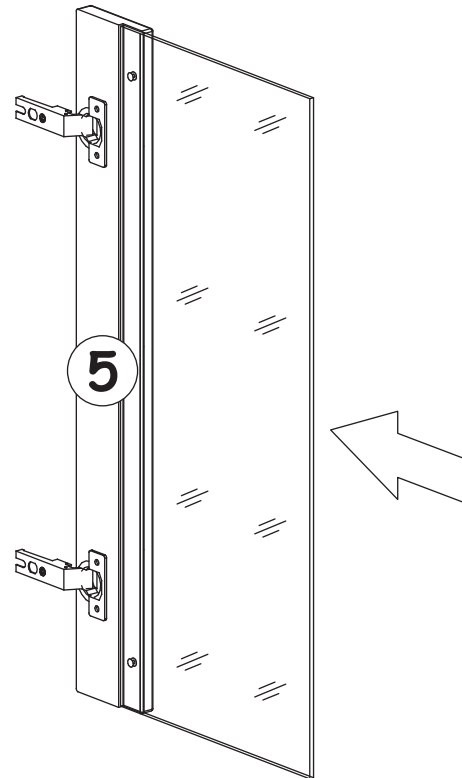
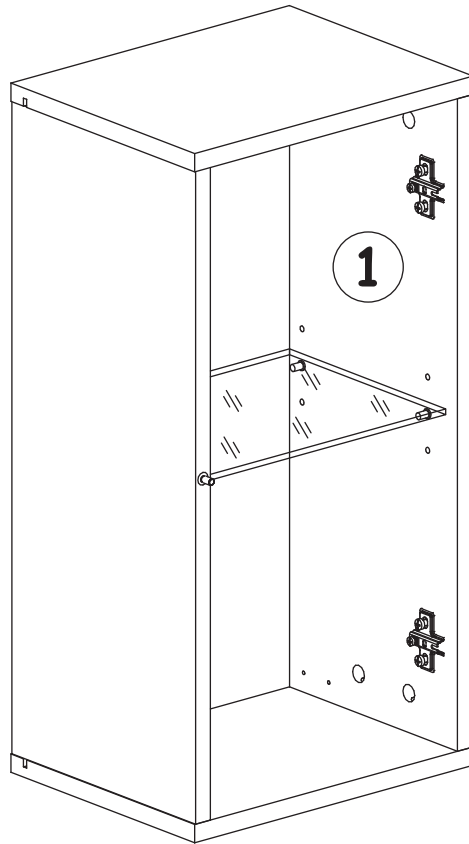
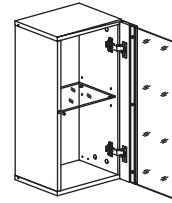
7



KR2	
x2	Ø8
LED	
x1	

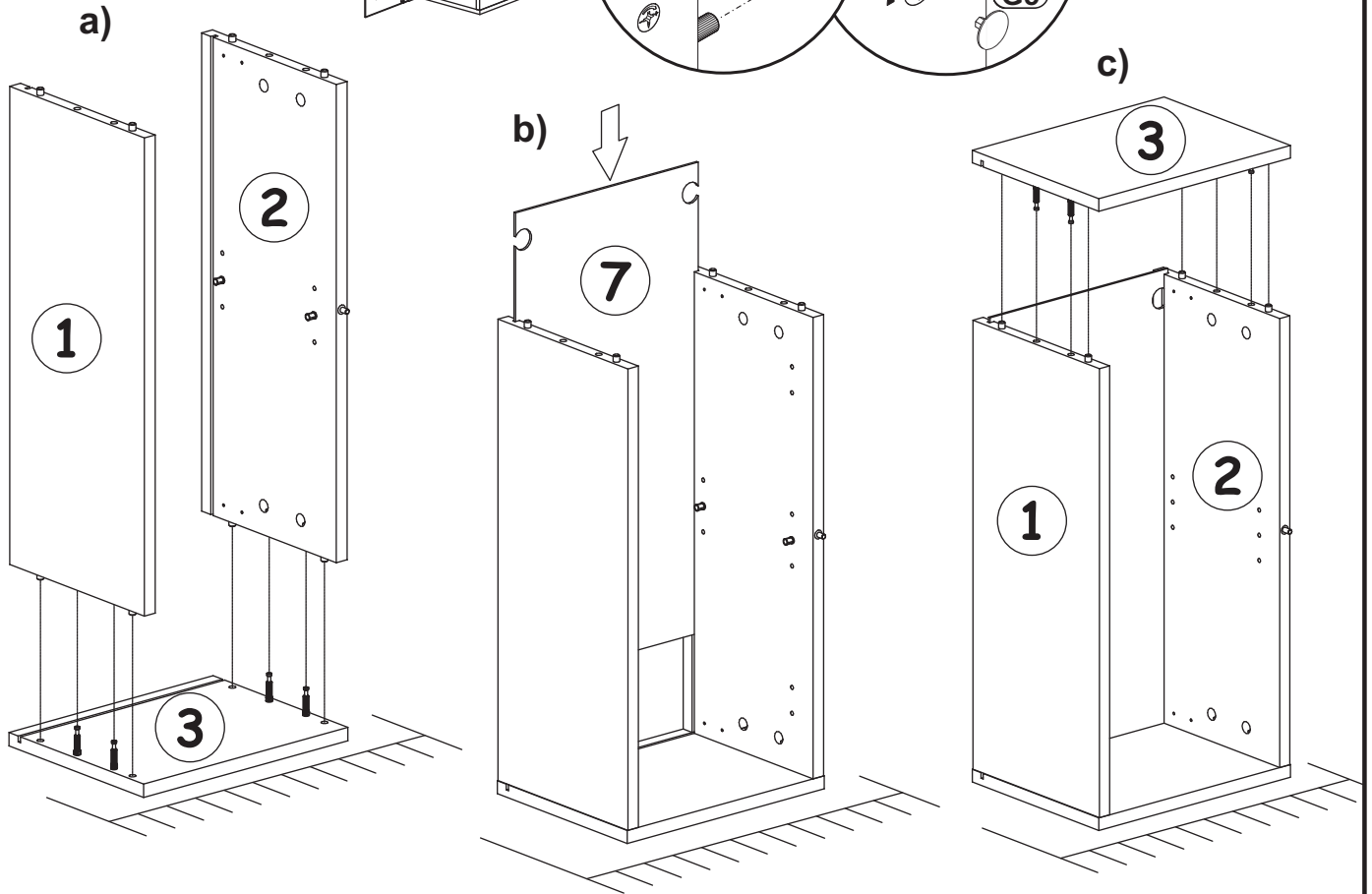


8

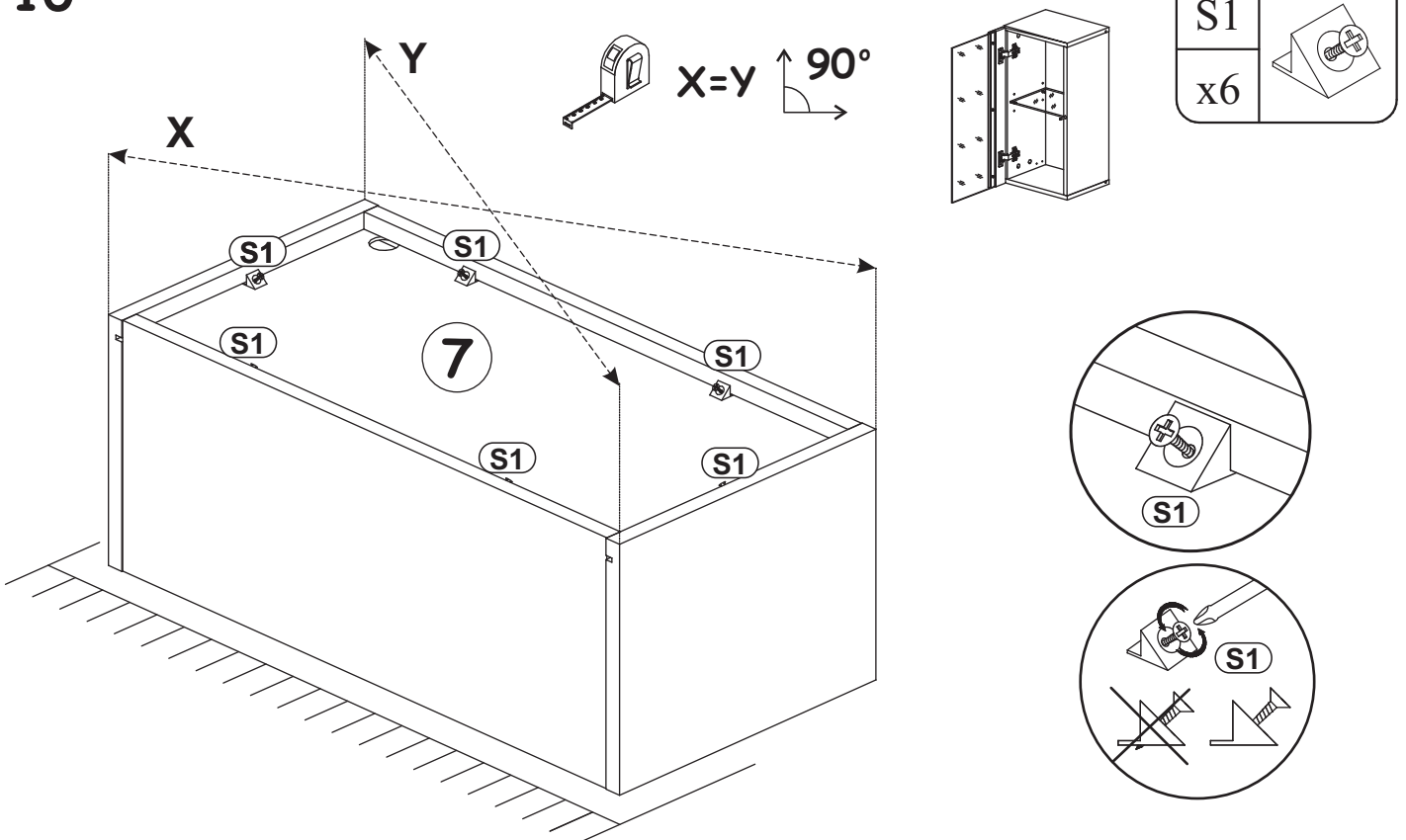


SWITCH WW 4

9

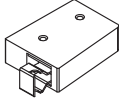



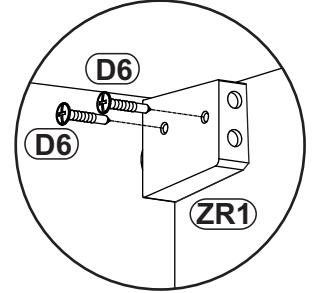
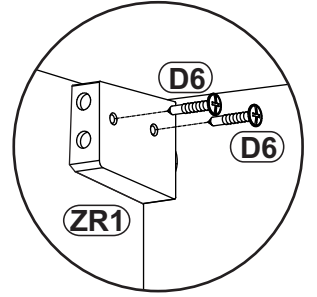
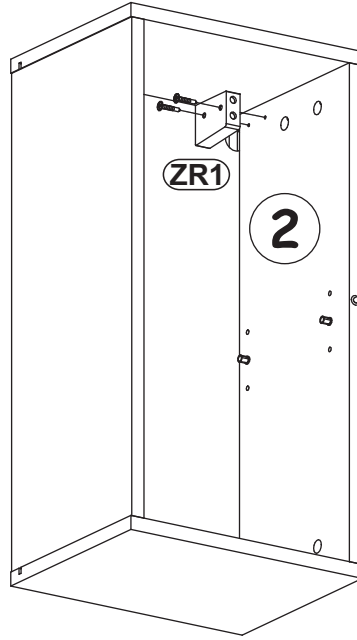
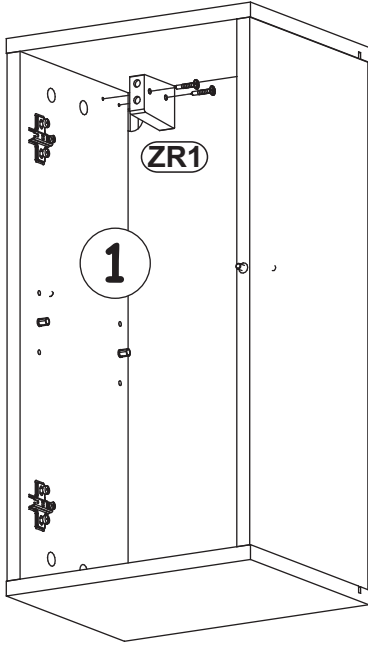
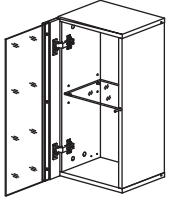
10



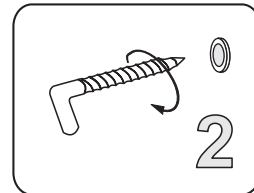
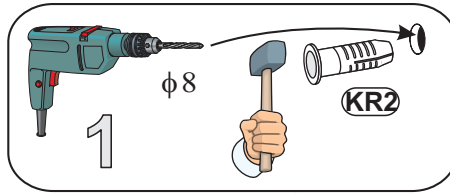
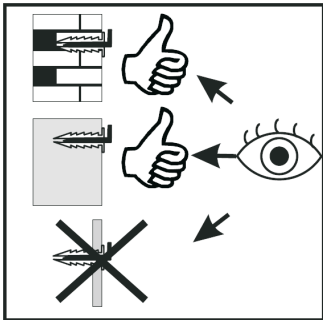
SWITCH WW 4

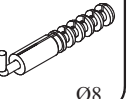
11

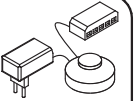
ZR1		D6	
x2		x4	US03,5x30

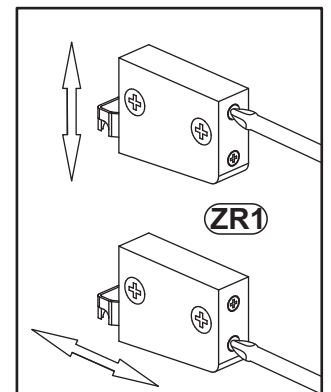
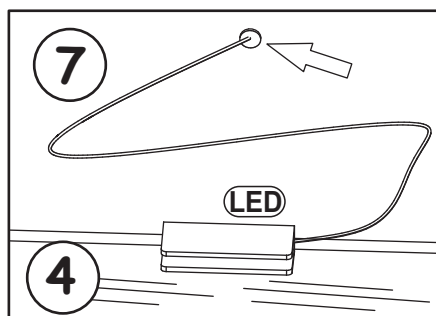
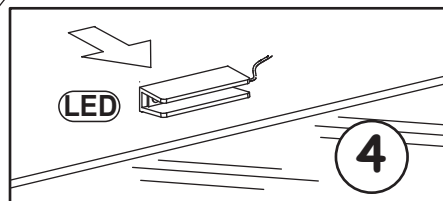
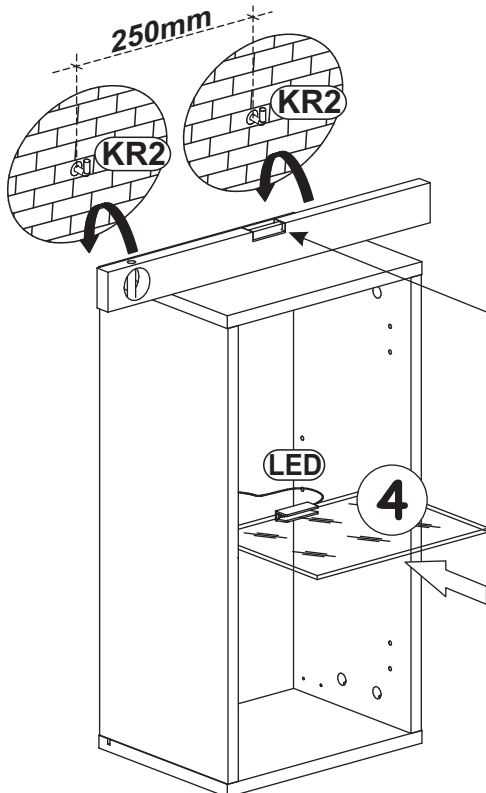
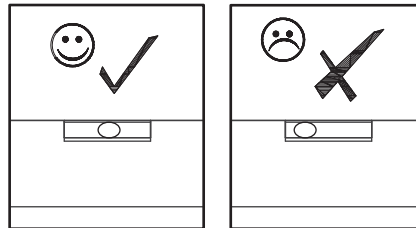


12

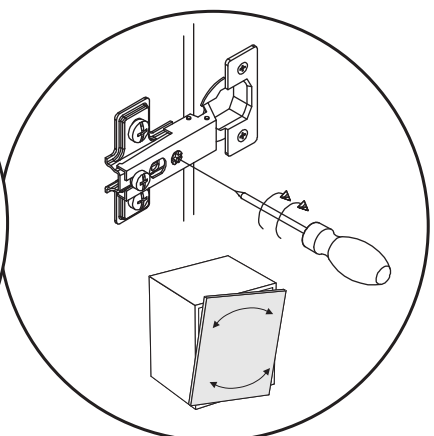
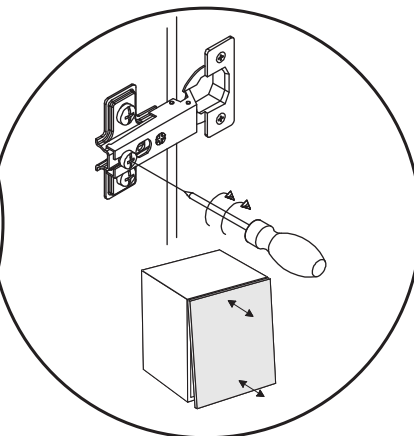
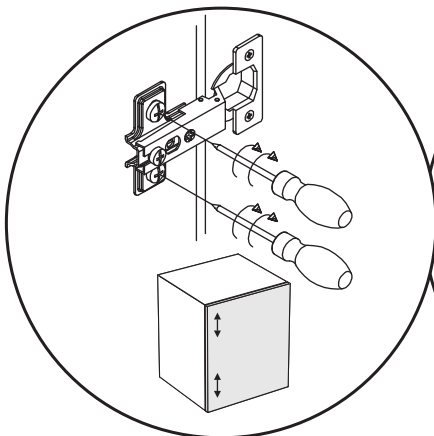
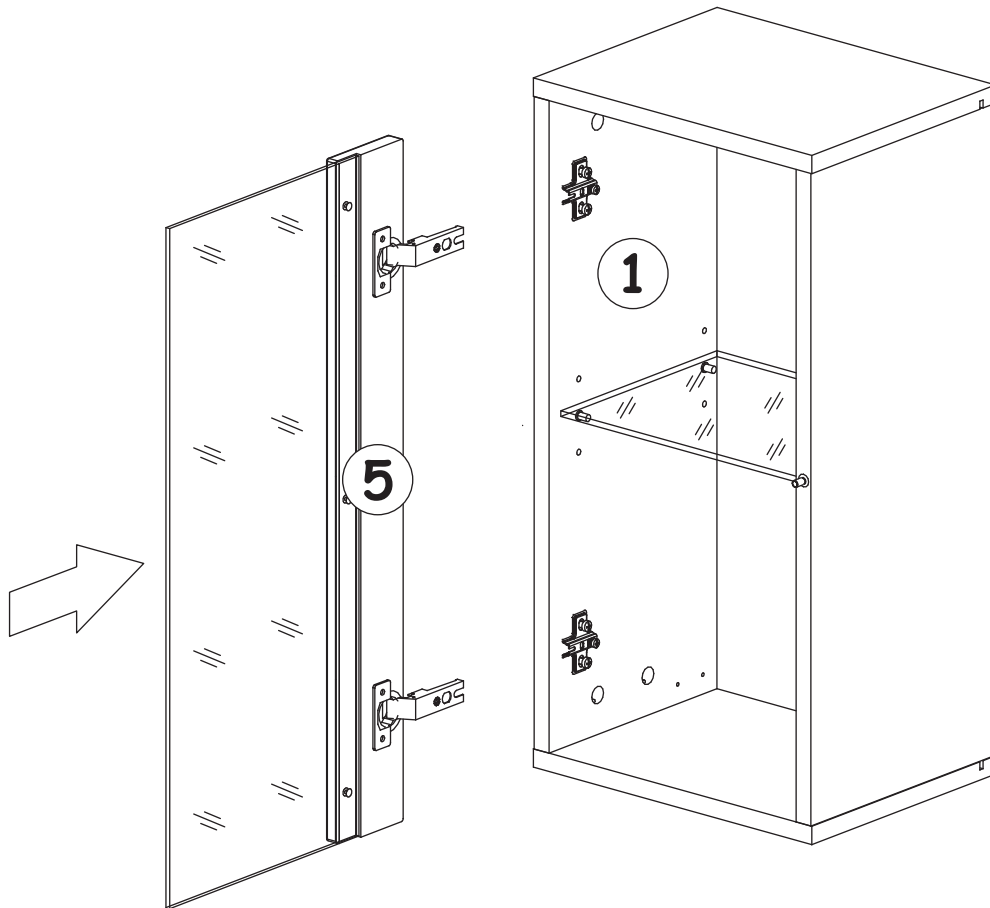
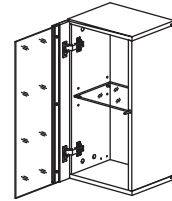


KR2	
x2	Ø8

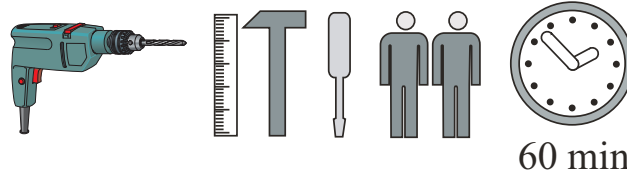
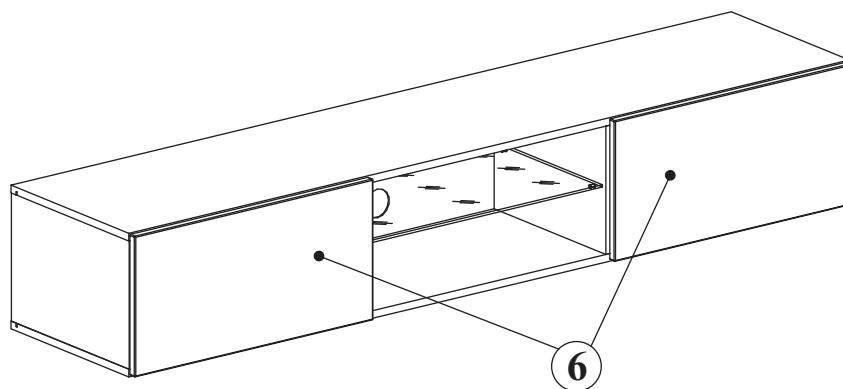
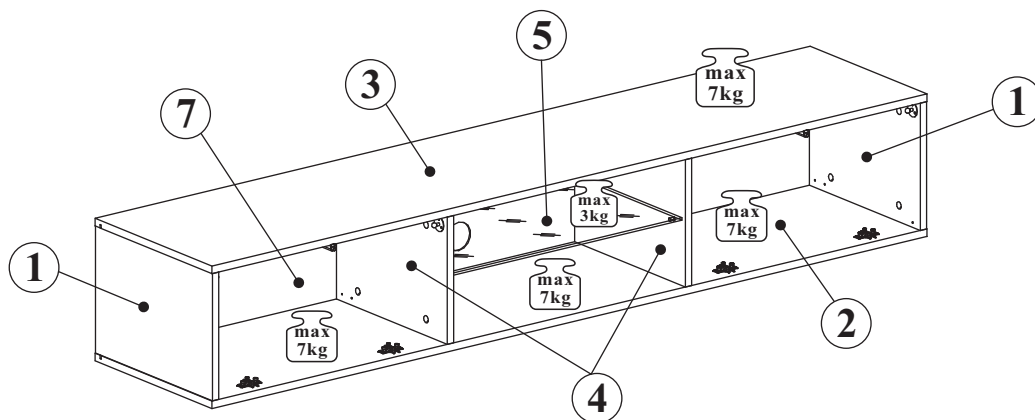
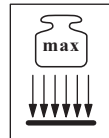
LED	
x1	



13



SWITCH 27 -- SW RTV 3

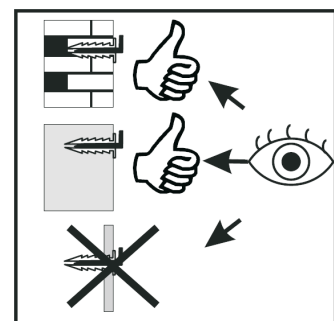
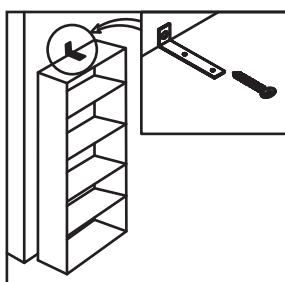
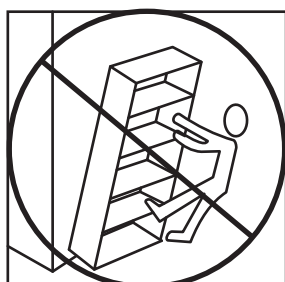
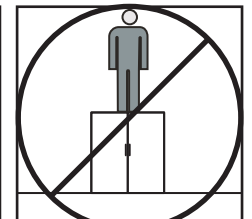
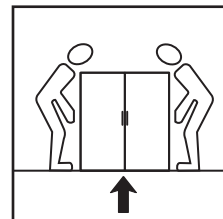
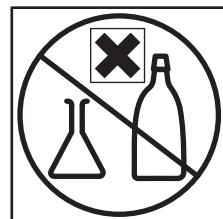
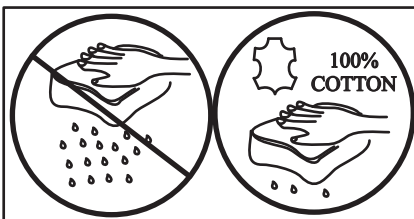
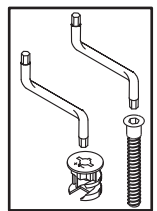
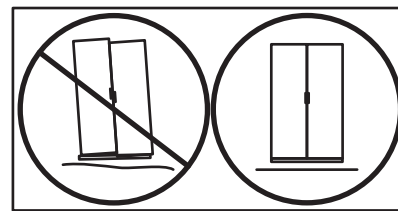
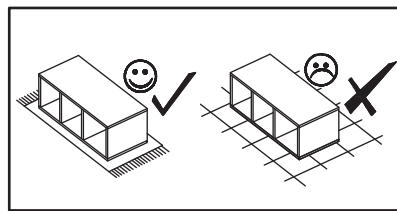
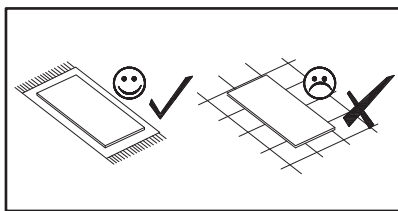
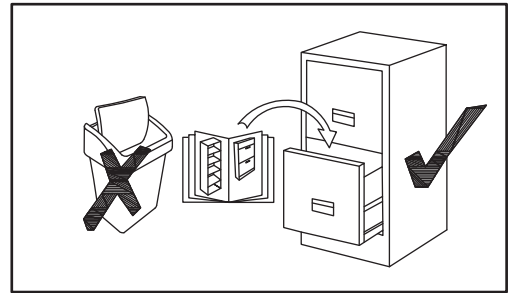
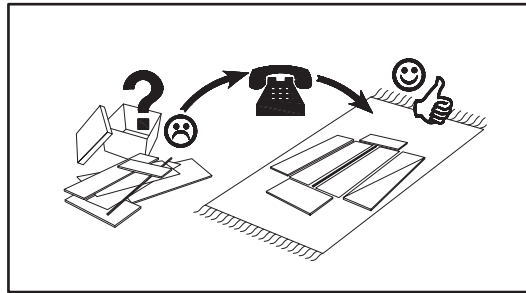
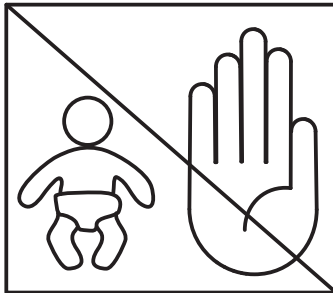
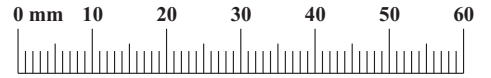


60 min

NO	Dim.			Col-No	Qty
1	268	384	16	1	2
2	1802	384	16	1	1
3	1802	384	16	1	1
6	596	294	16	1	2
4	268	364	16	1	2
5	582	349	5	1	1
7	1780	280	3	1	1

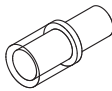
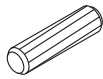
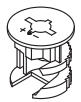
SWITCH RTV 3

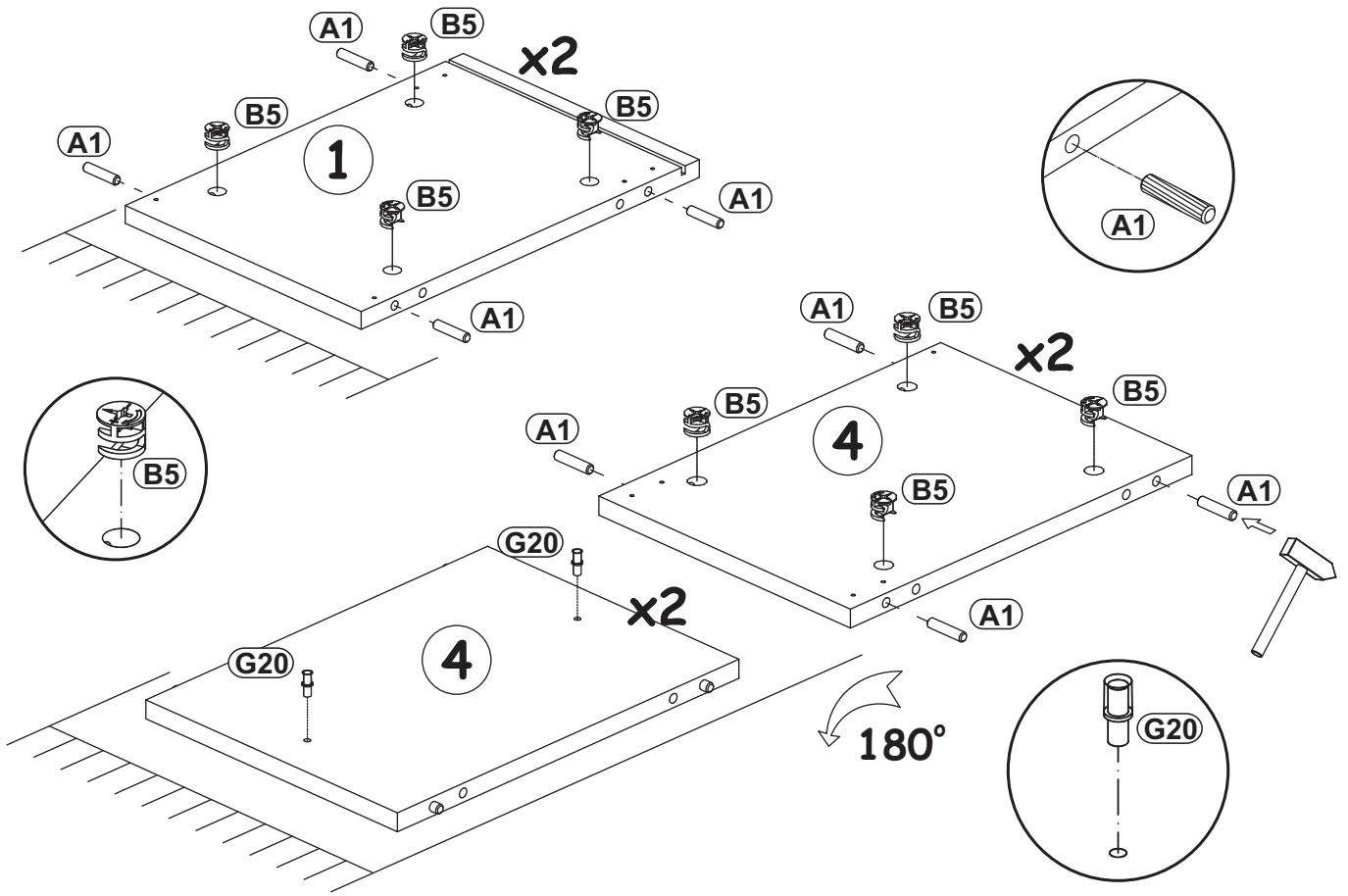
A1 x16 ø8x36	B4 x16	G5 x16	B5 x16 ø15x12	ZR1 x4	D6 x8 USØ3,5x30
E1 x4 Ø26 H=0	E2 x4 H=0	D10 x32 USØ3,5x13	T1 x2	S1 x14	B01 x4
KR2 x4 Ø8	G2 x1	LED x1 x1	G20 x4	UP13 x4 UPØ3x16	



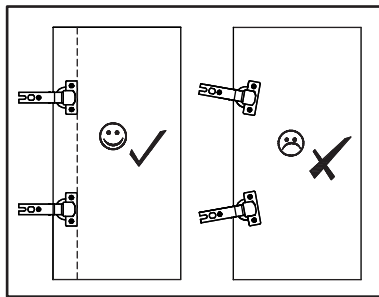
SWITCH RTV 3


1

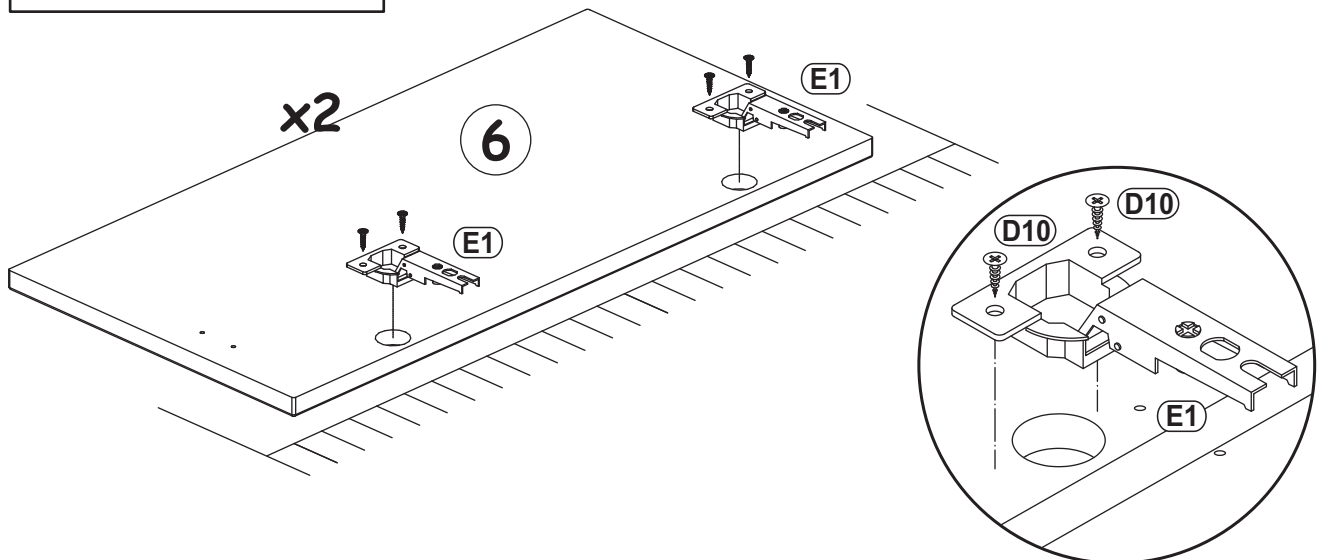
G20		A1		B5	
x4		x16	ø8x36	x16	ø15x12



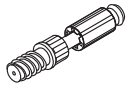
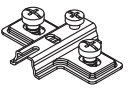
2



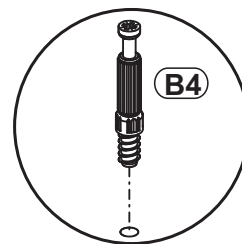
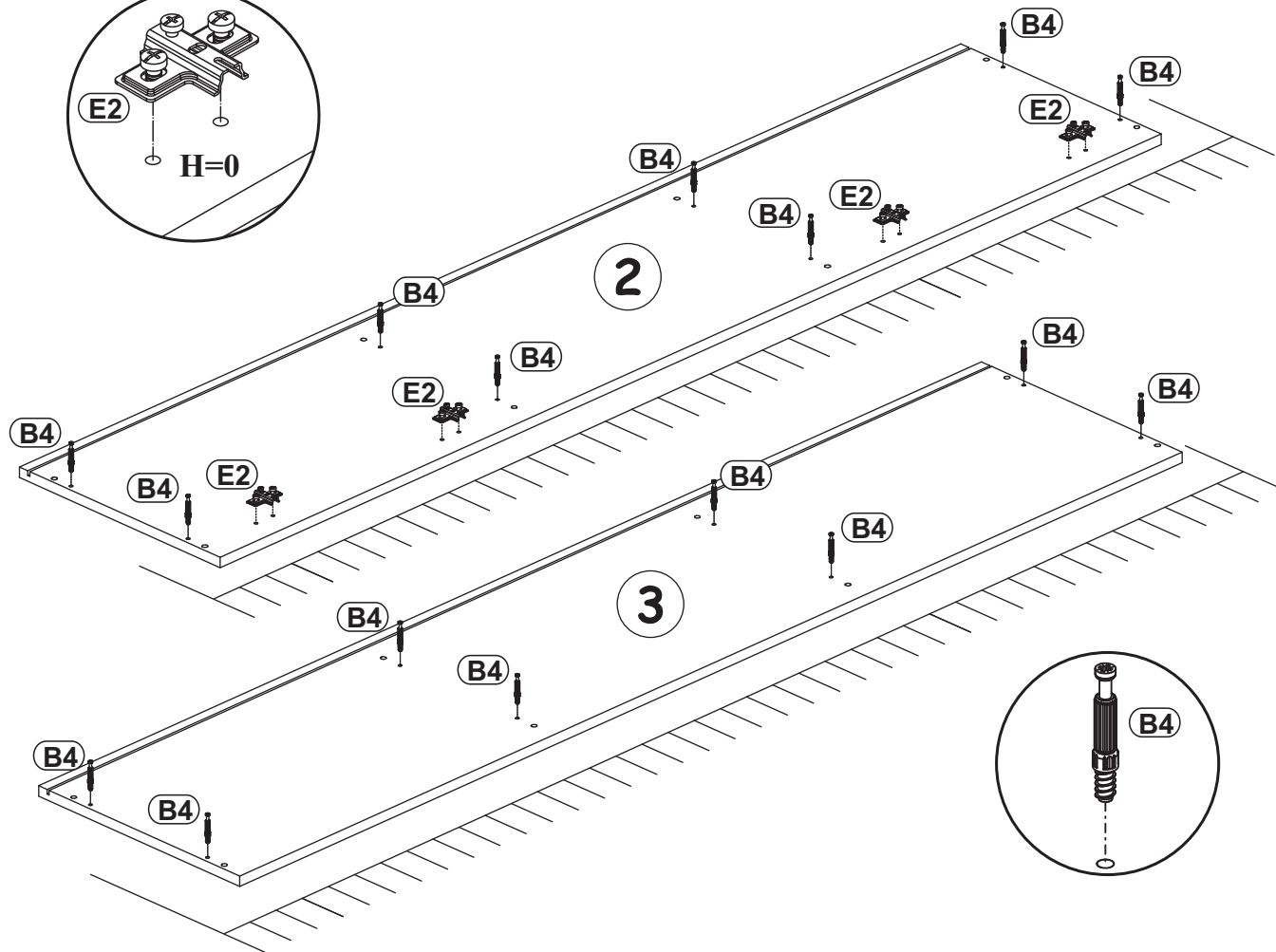
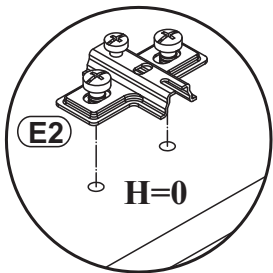
E1	Ø26	D10	
x4	H=0	x8	USØ3,5x13




SWITCH RTV 3

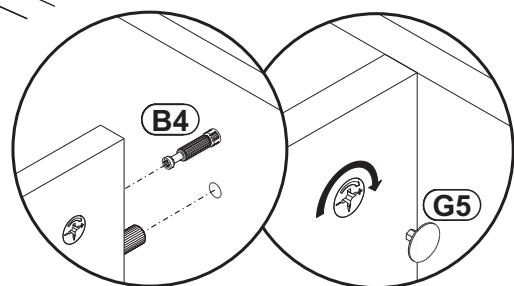
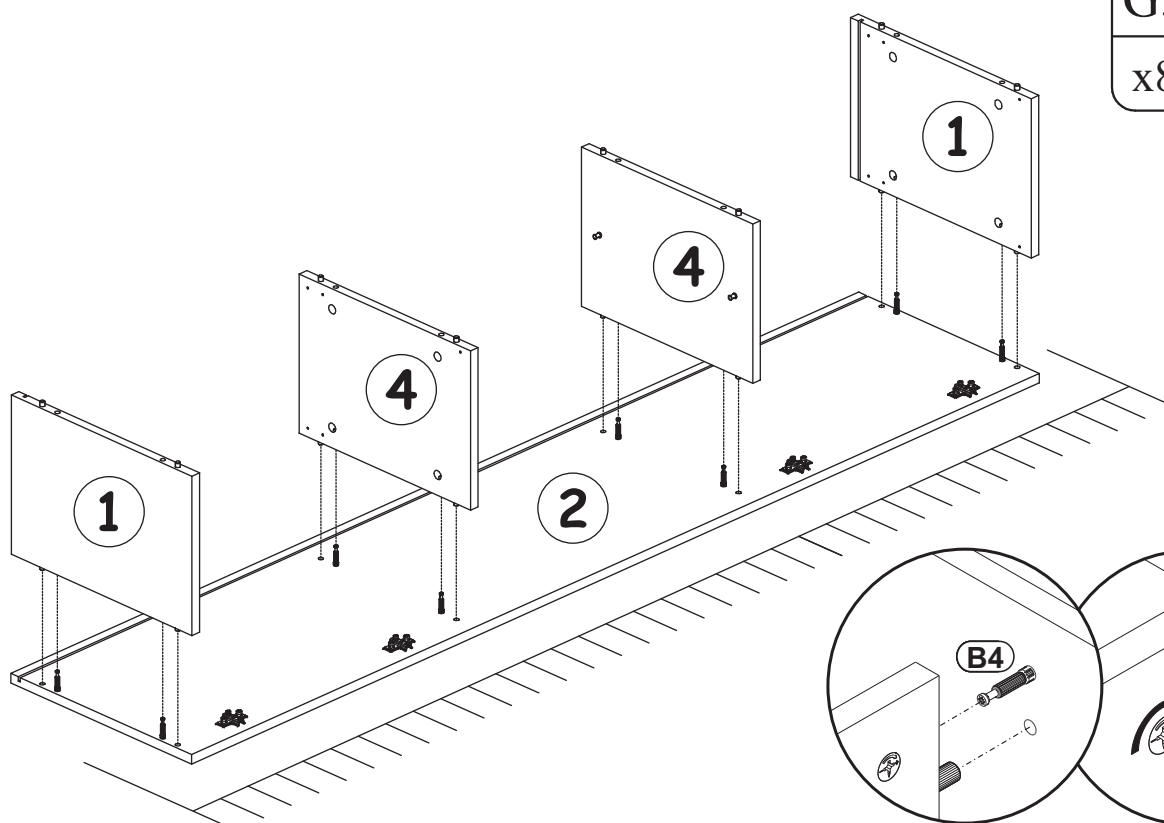
B4		E2	
x16		x4	H=0

3




4

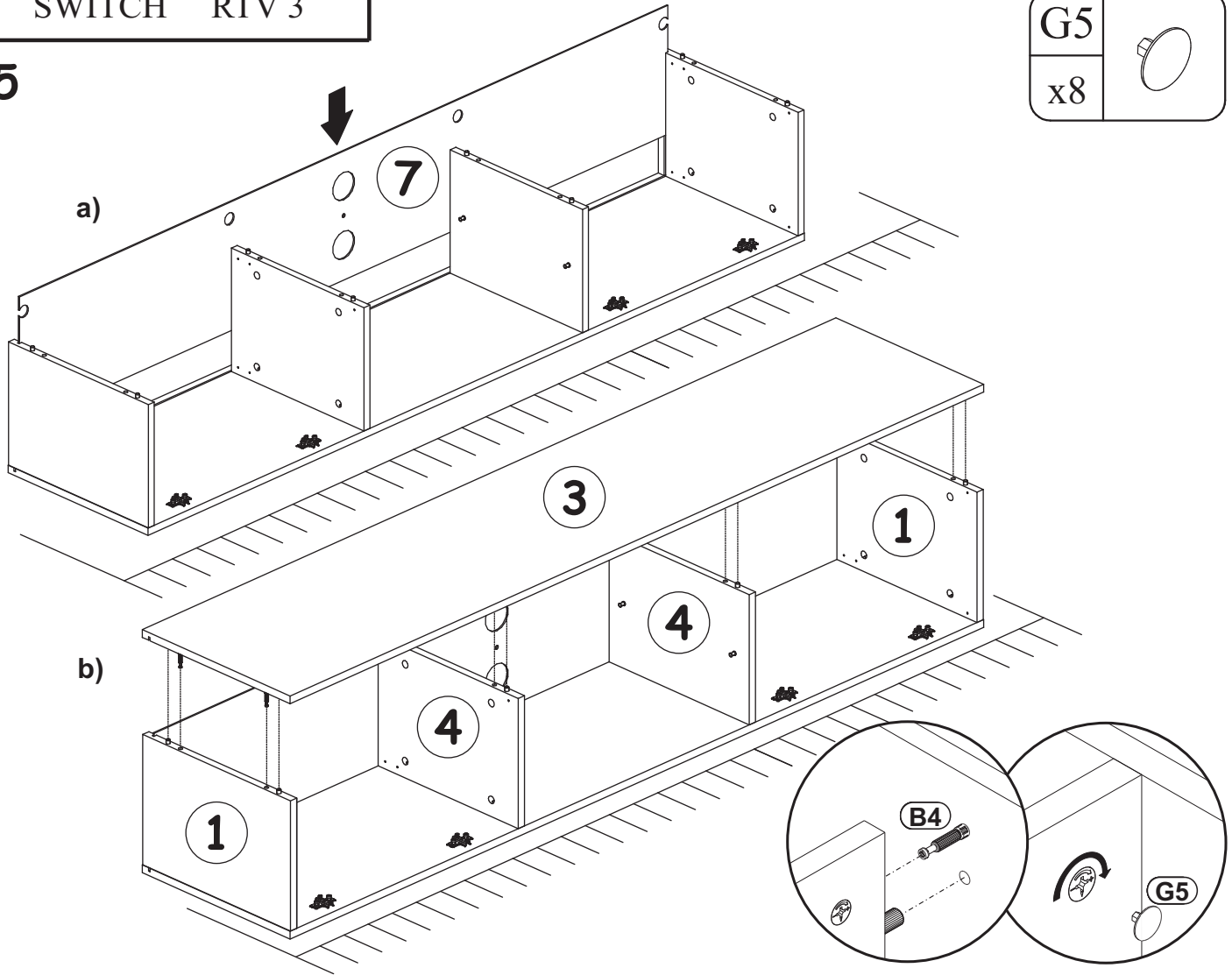
G5	
x8	



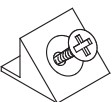
SWITCH RTV 3


5

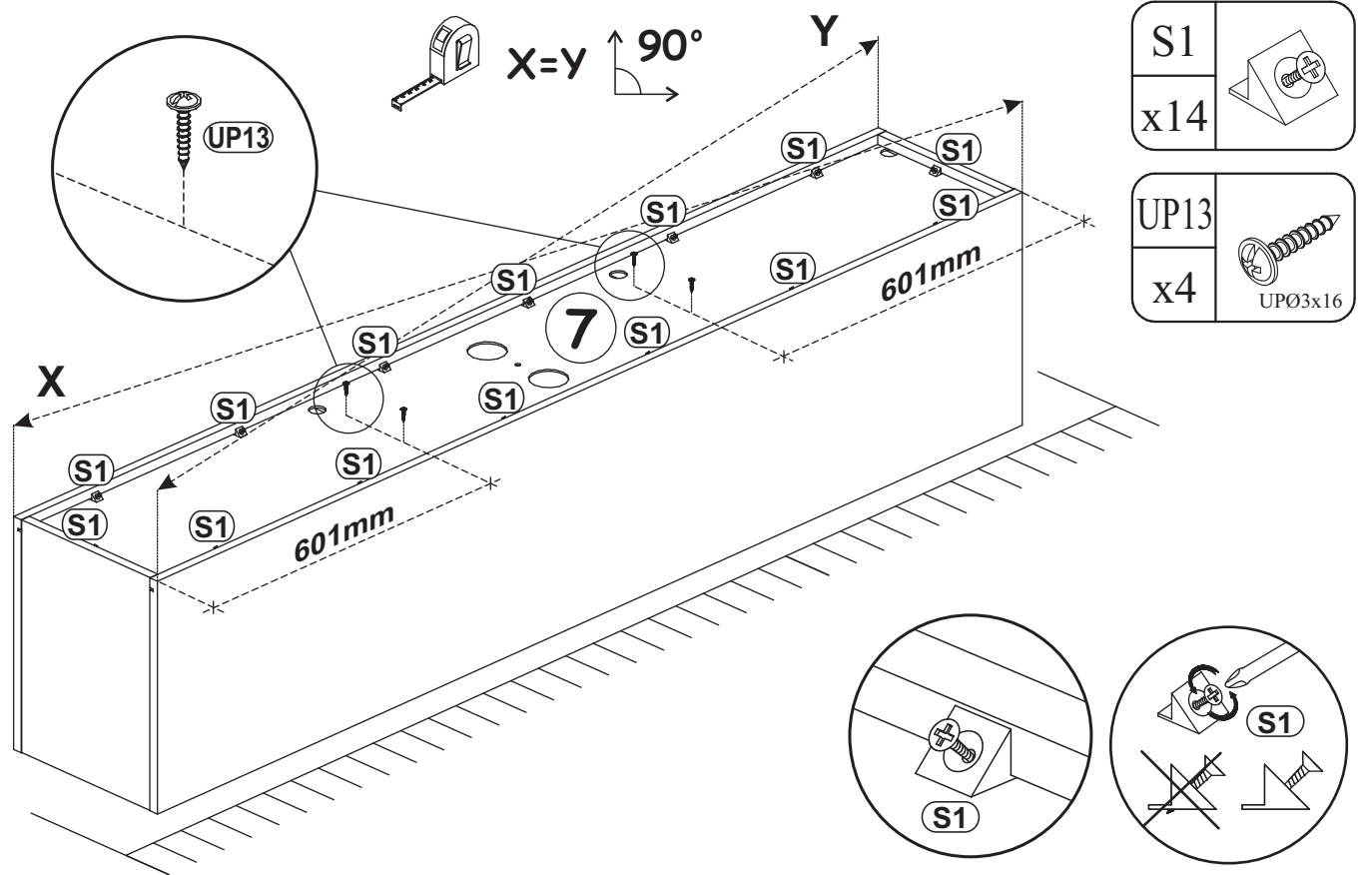
G5	
x8	



6

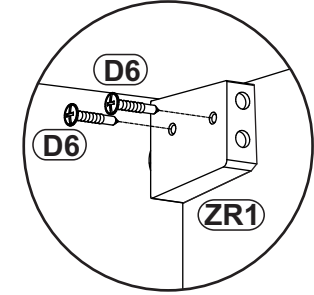
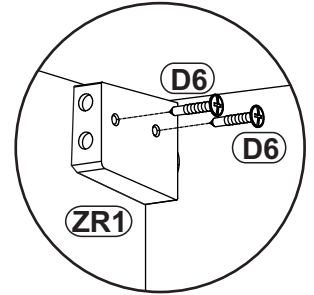
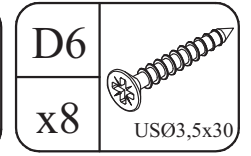
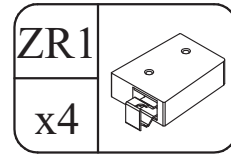
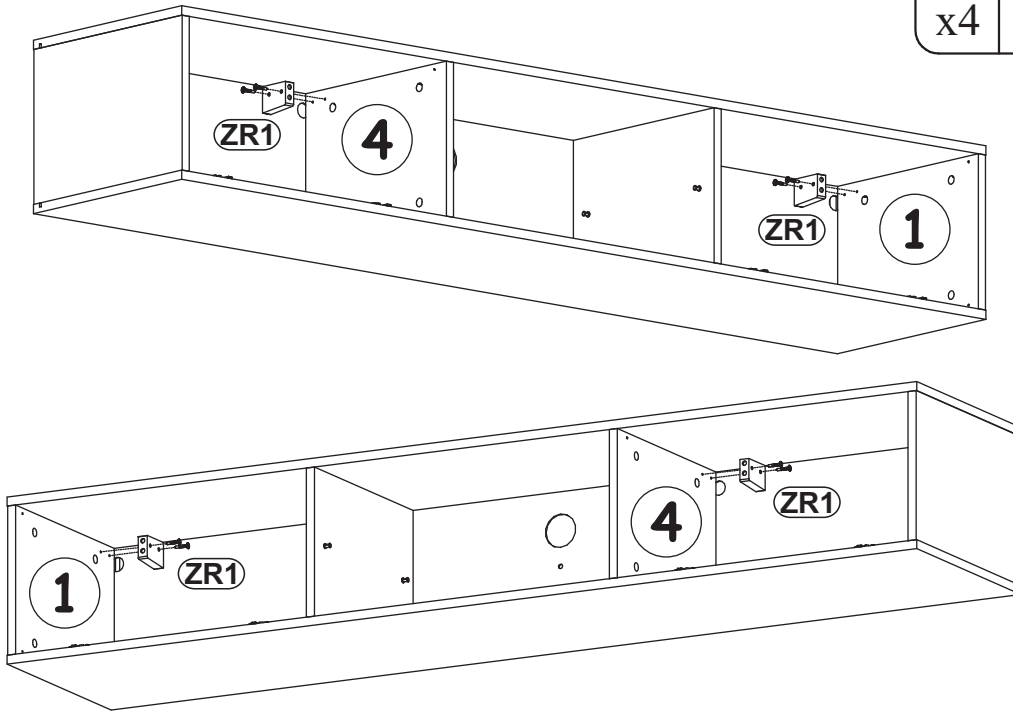
S1	
x14	

UP13	
x4	UPØ3x16

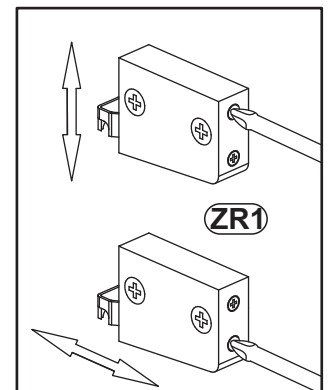
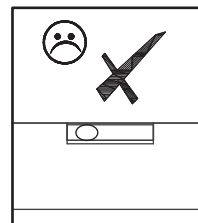
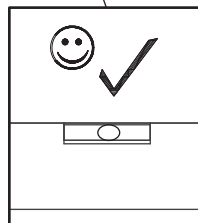
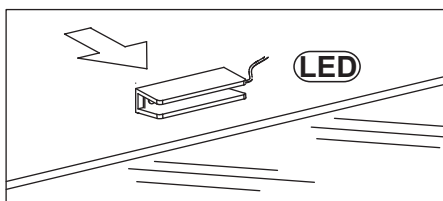
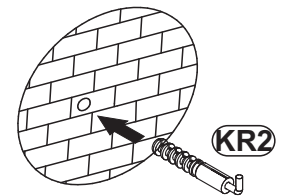
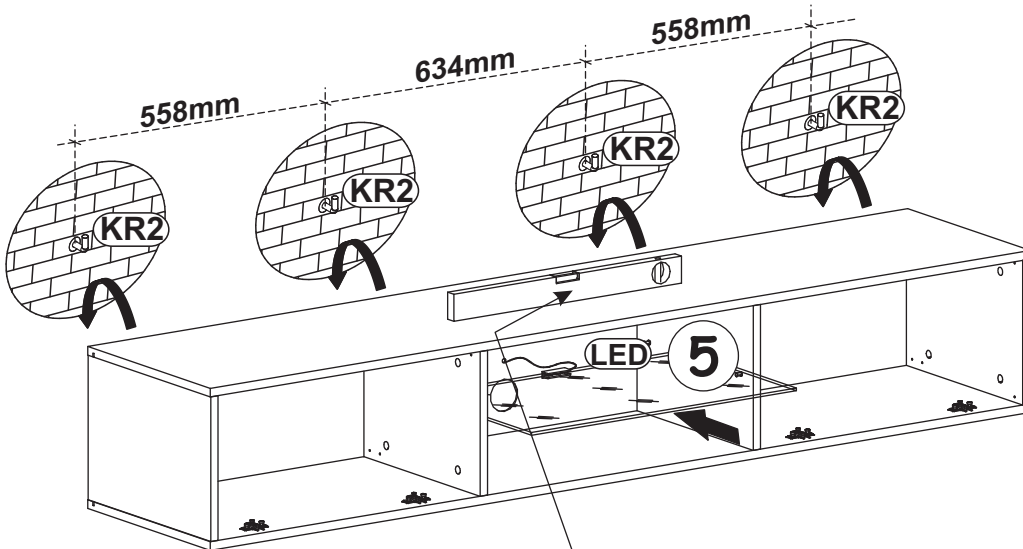
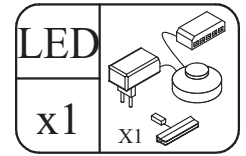
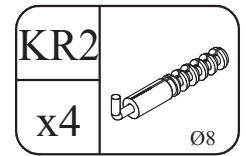
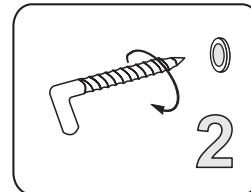
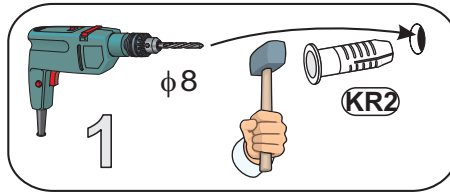
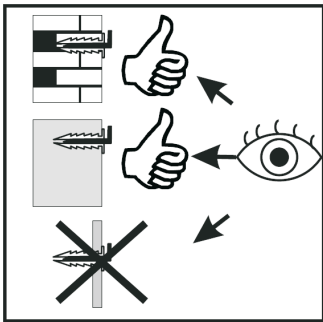


SWITCH RTV 3

7

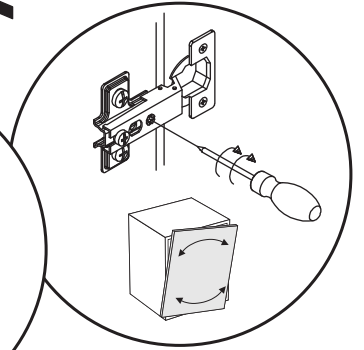
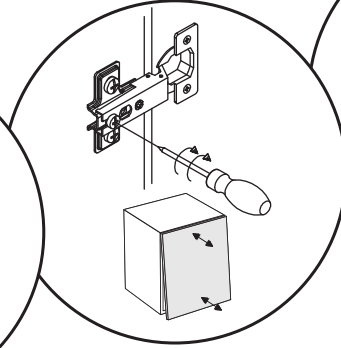
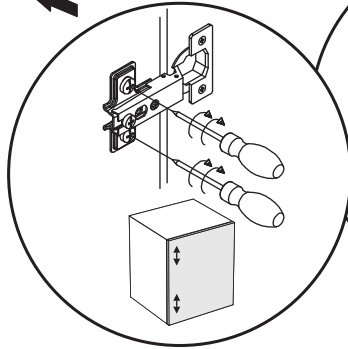
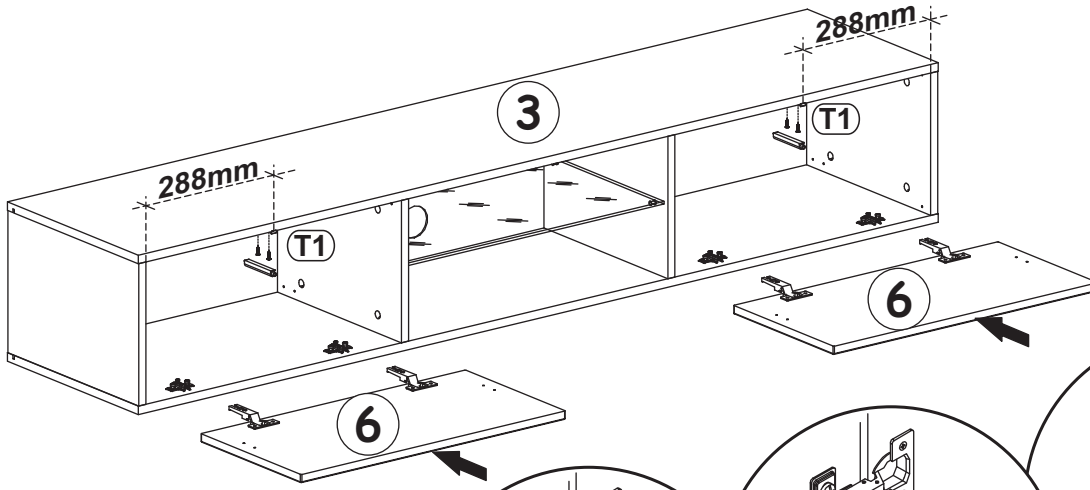
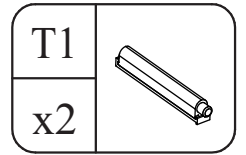
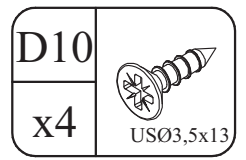
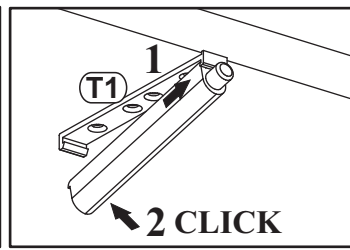
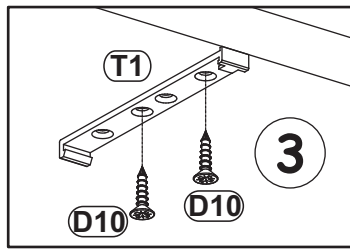


8



SWITCH RTV 3

9



10

