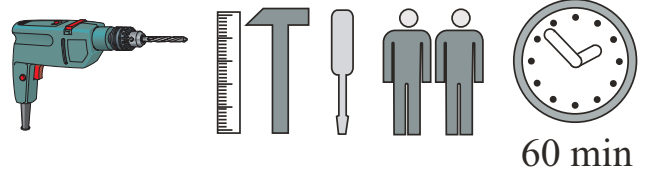
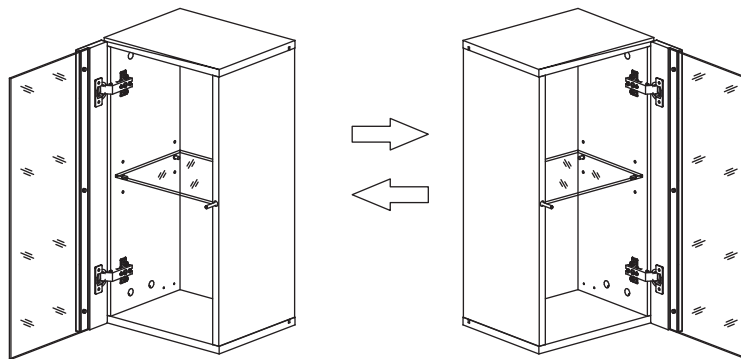
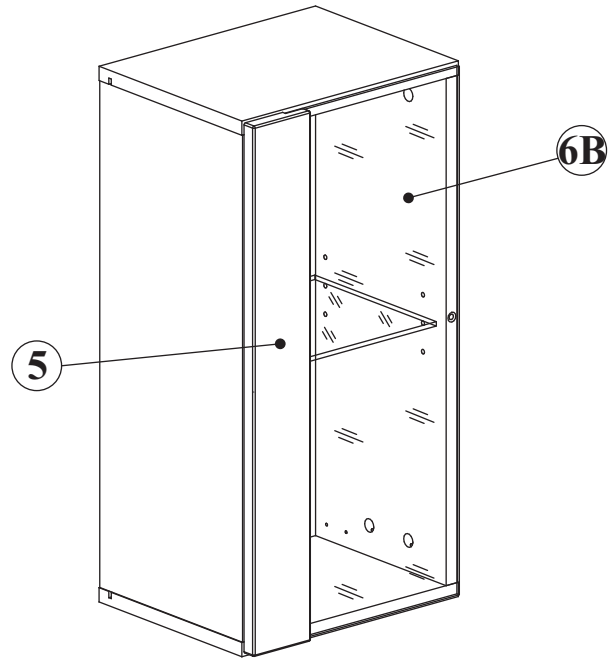
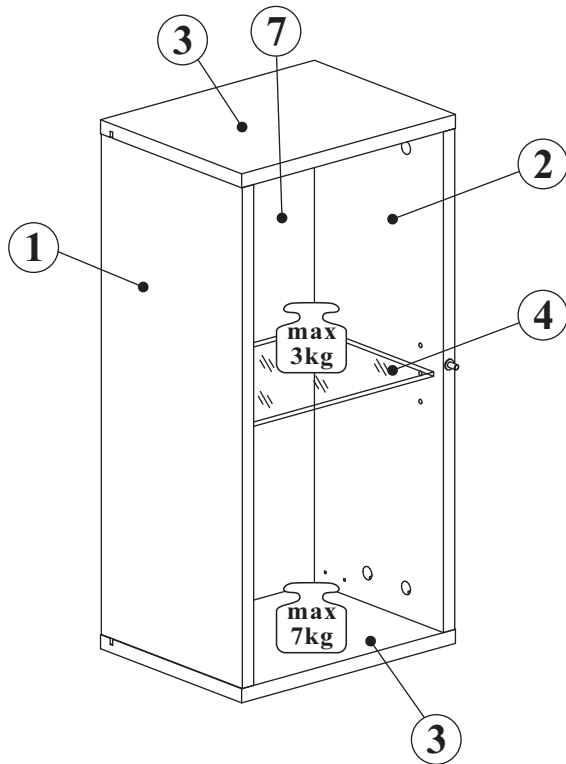
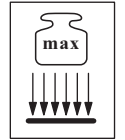


# SWITCH 27 -- SW WW 4

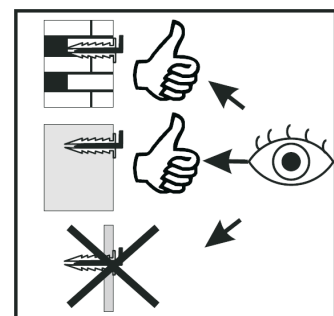
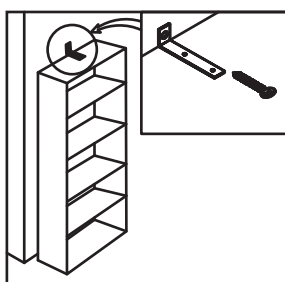
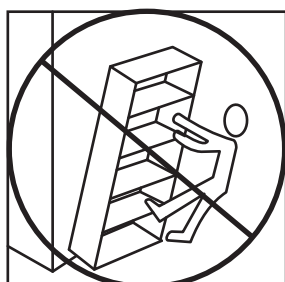
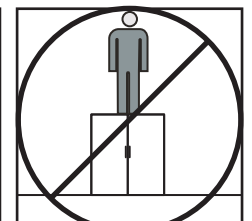
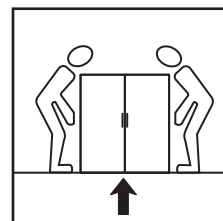
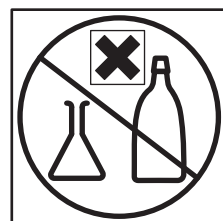
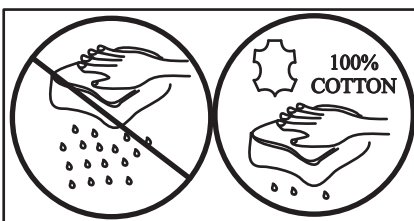
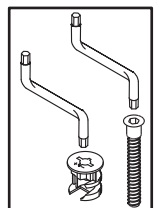
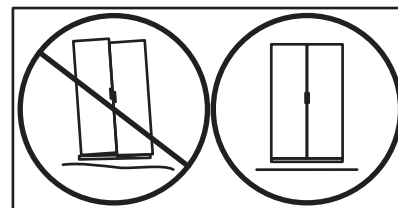
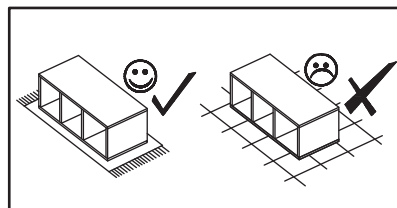
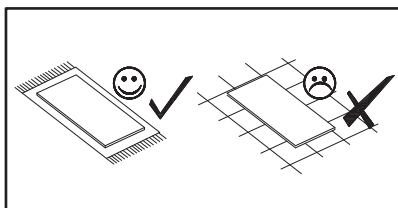
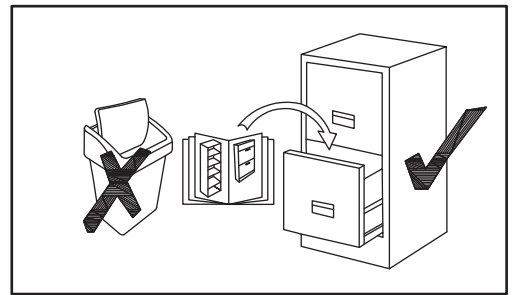
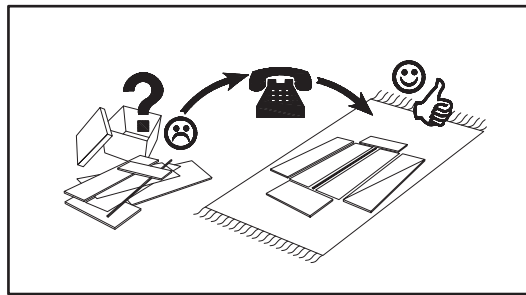
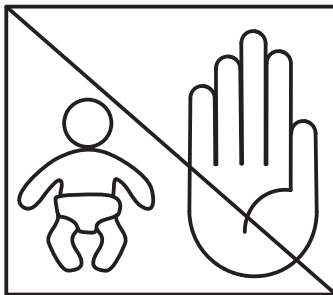
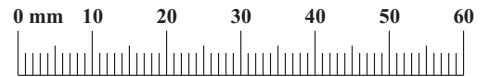


60 min

NO	Dim.			Col-No	Qty
1	570	234	16	1	1
2	570	234	16	1	1
3	302	234	16	1	2
4	266	199	5	1	1
7	582	280	3	1	1
5	80	596	16	1	1
6B	594	241	4	1	1

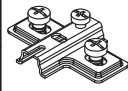
# SWITCH WW 4

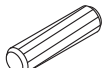
A1 x8 ø8x36	B4 x8	G5 x8	B5 x8 ø15x12	ZR1 x2	D6 x4 USØ3,5x30
E1 x2 Ø26 H=0	E2 x2 H=0	D10 x4 USØ3,5x13	OG x1	S1 x6	KR2 x2 Ø8
G20 x4	G2 x1	P2 x3	UP13 x3 UPØ3x16	LED x1	

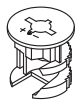


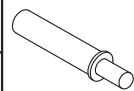
SWITCH WW 4

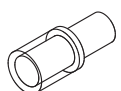
1

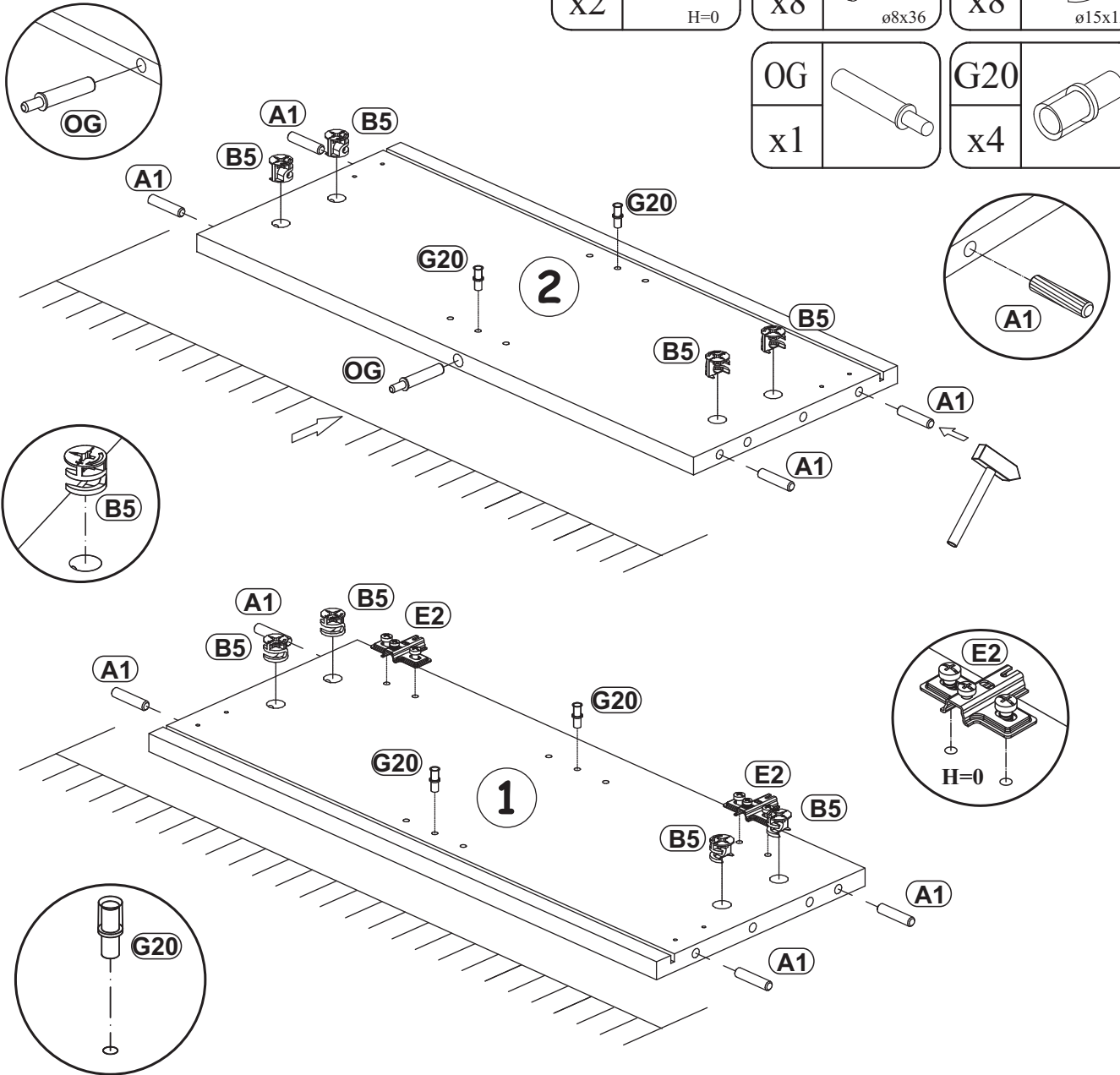
E2	
x2	H=0

A1	
x8	ø8x36

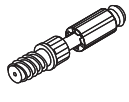
B5	
x8	ø15x12

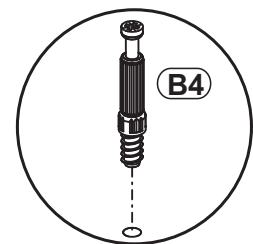
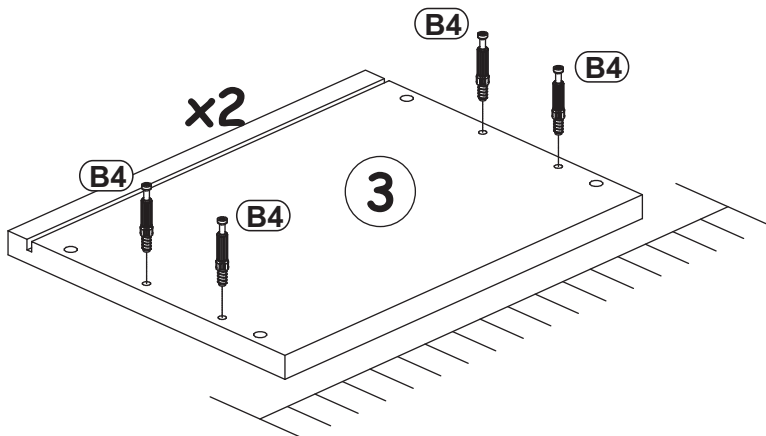
OG	
x1	

G20	
x4	



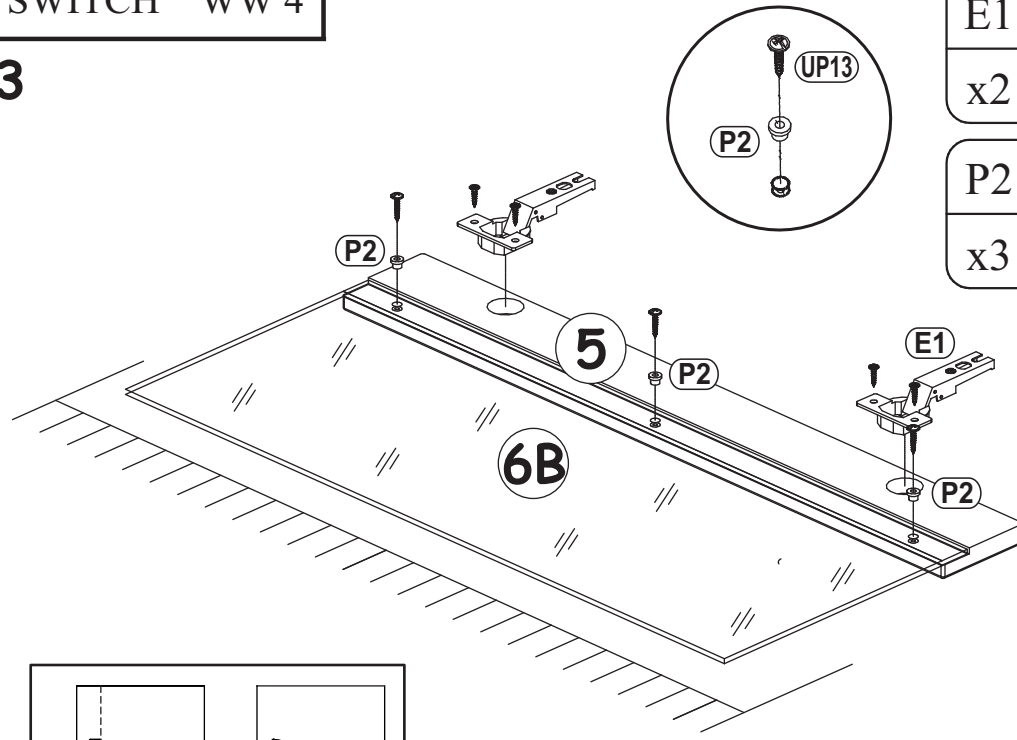
2

B4	
x8	



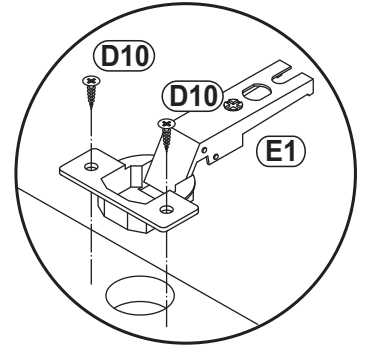
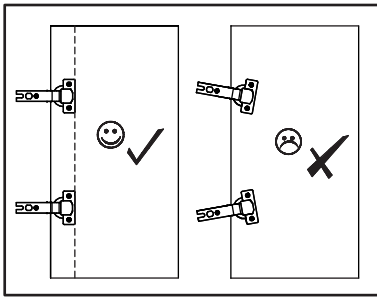
SWITCH WW 4

3

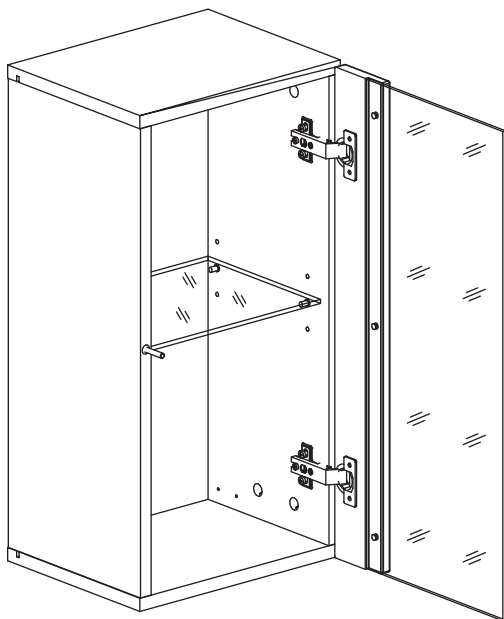


E1	Ø26 H=0	D10	USØ3,5x13
x2		x4	

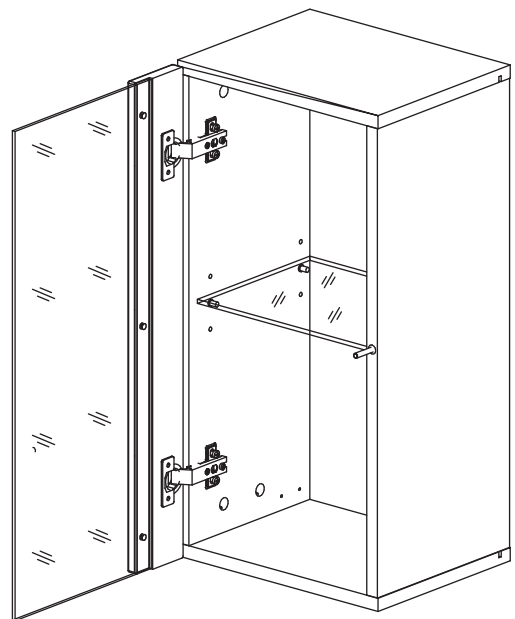
P2		UP13	
x3		x3	UPØ3x16



4 - 8

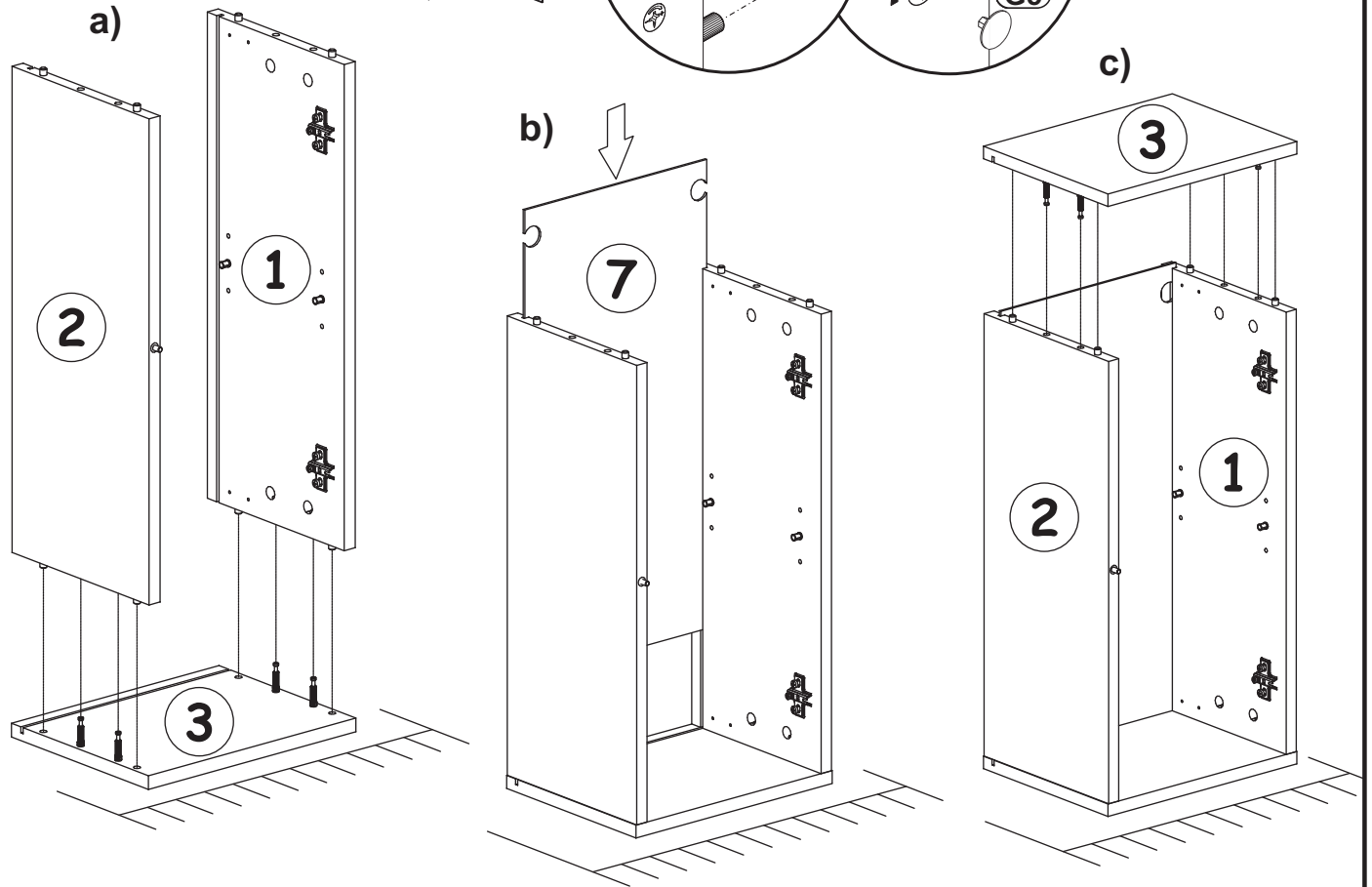


9 - 13

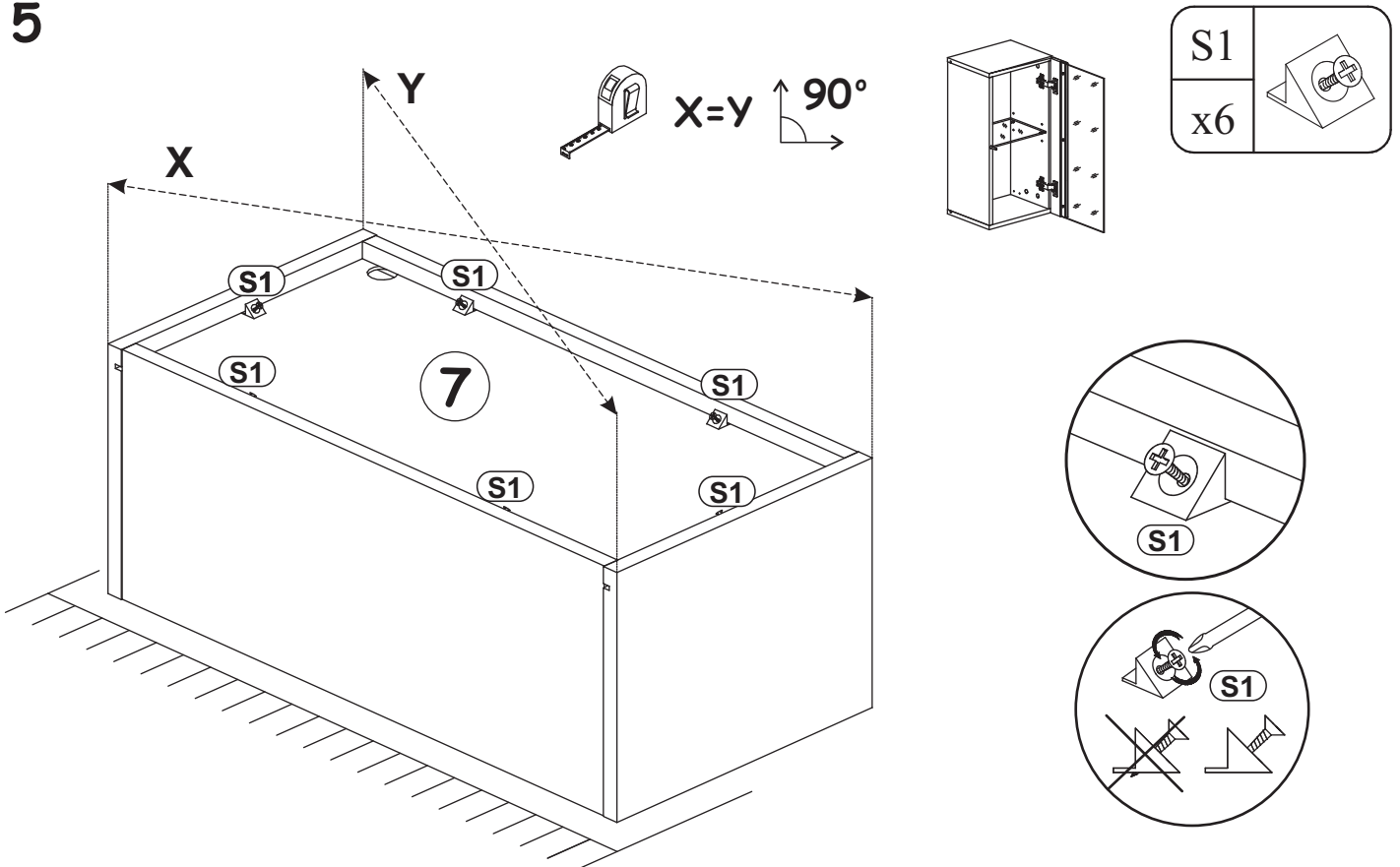


SWITCH WW 4

4

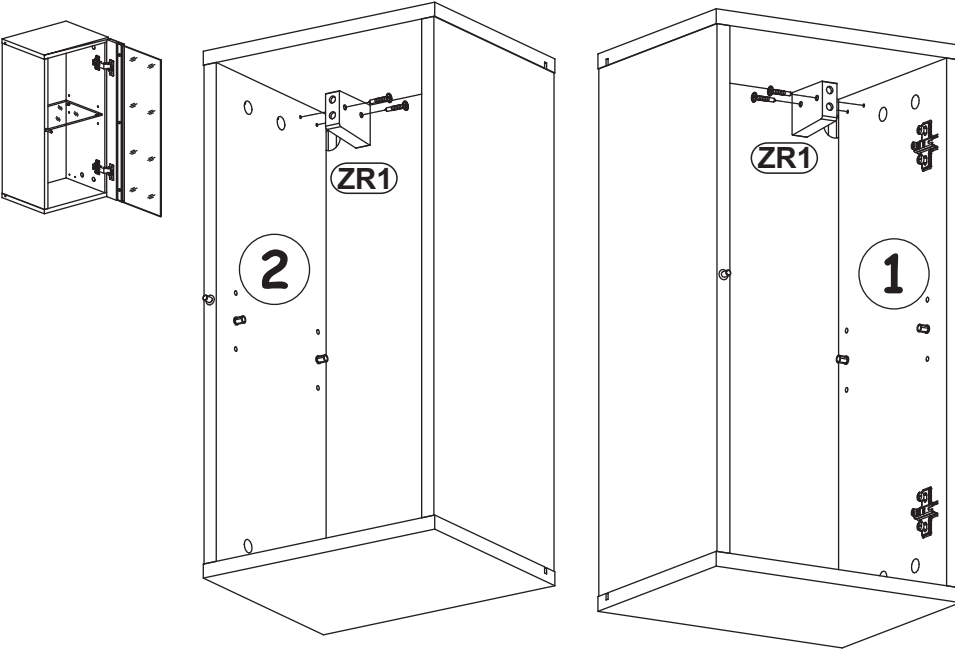


5

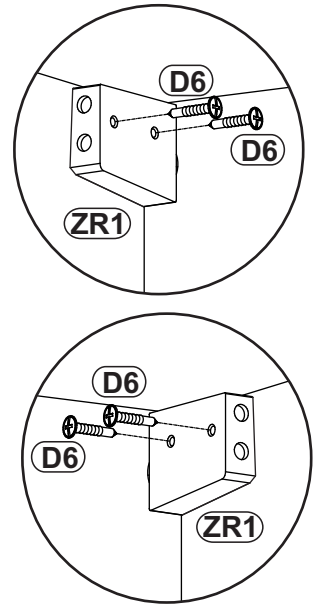


SWITCH WW 4

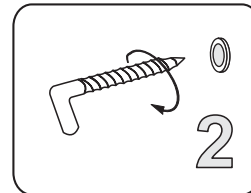
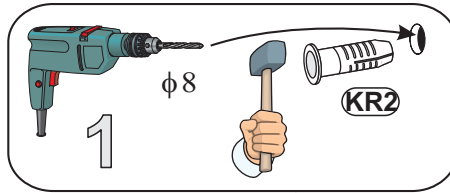
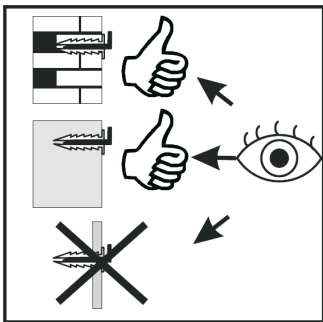
6



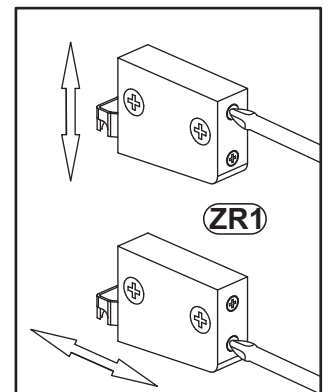
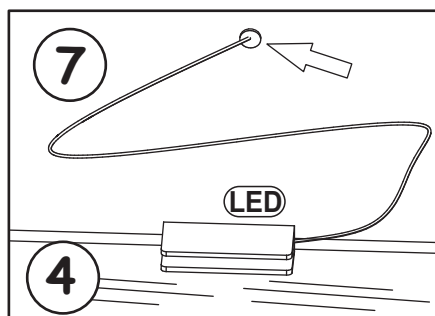
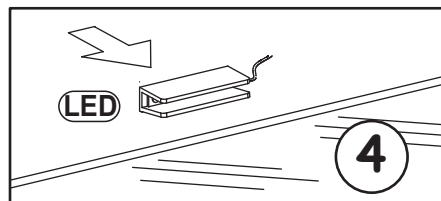
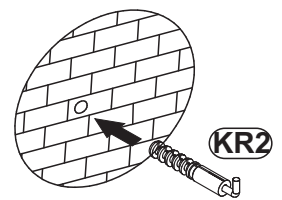
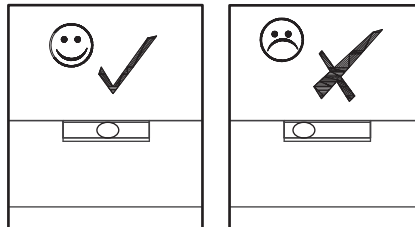
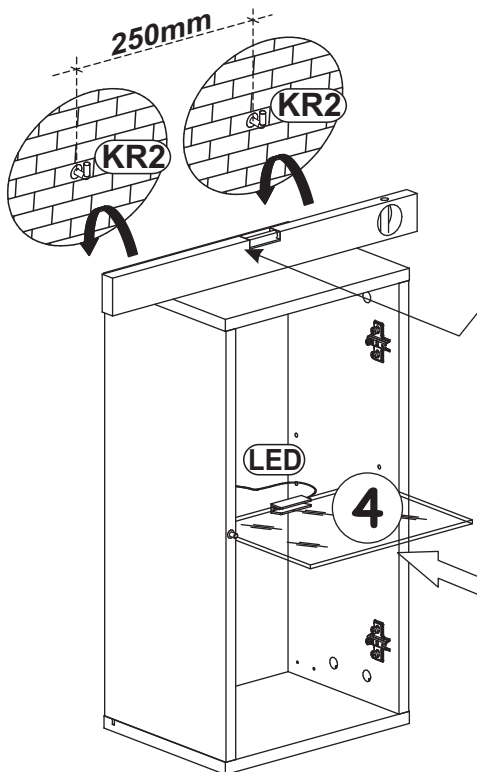
ZR1		D6	
x2		x4	US03,5x30



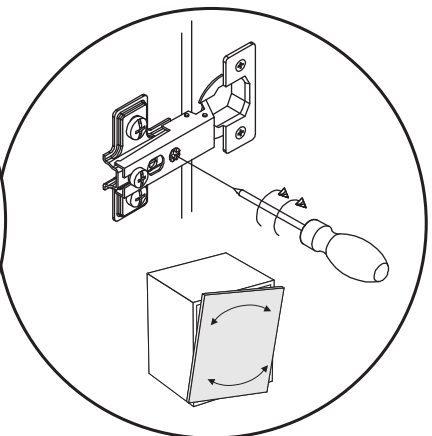
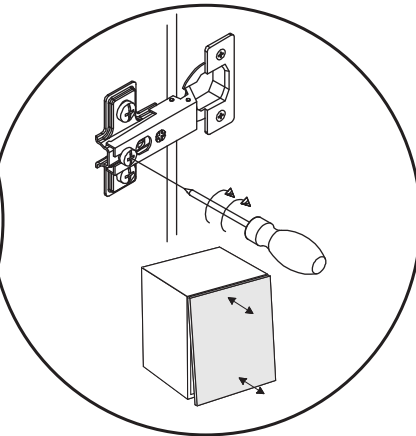
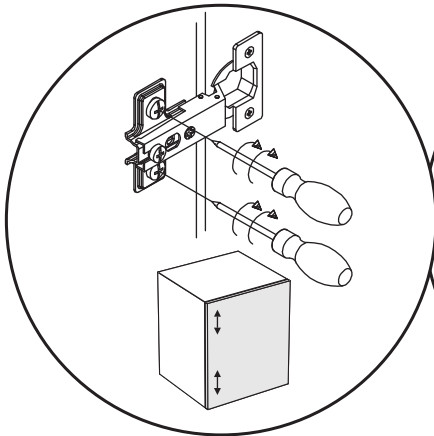
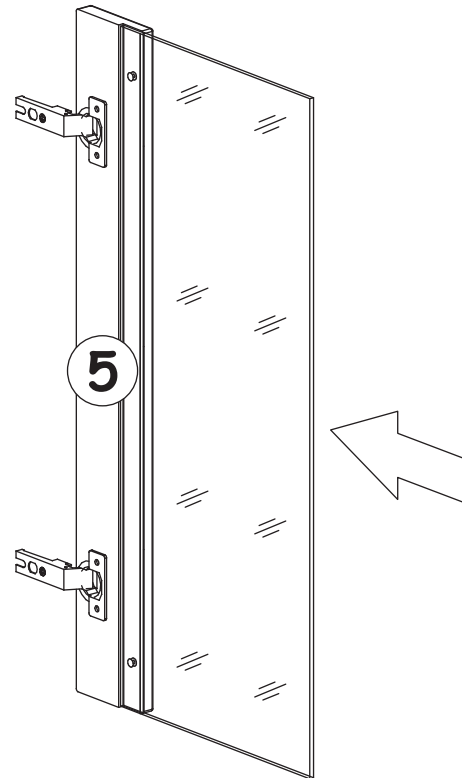
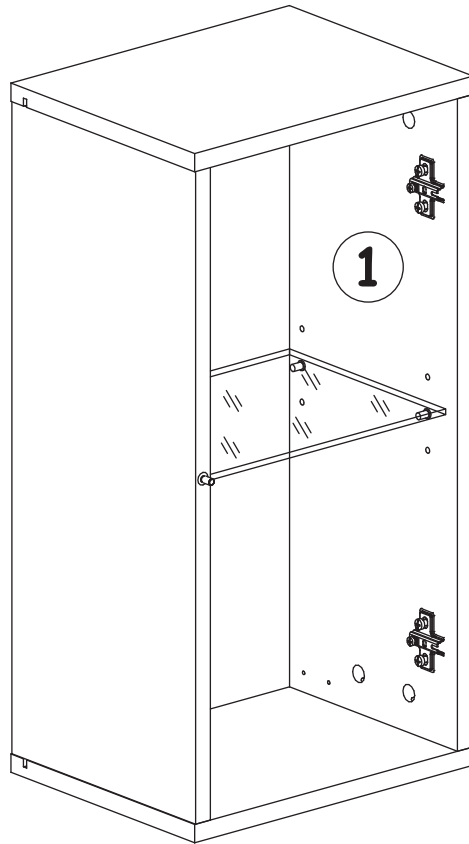
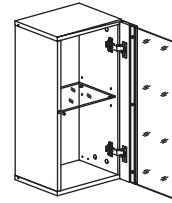
7



KR2	
x2	Ø8
LED	
x1	

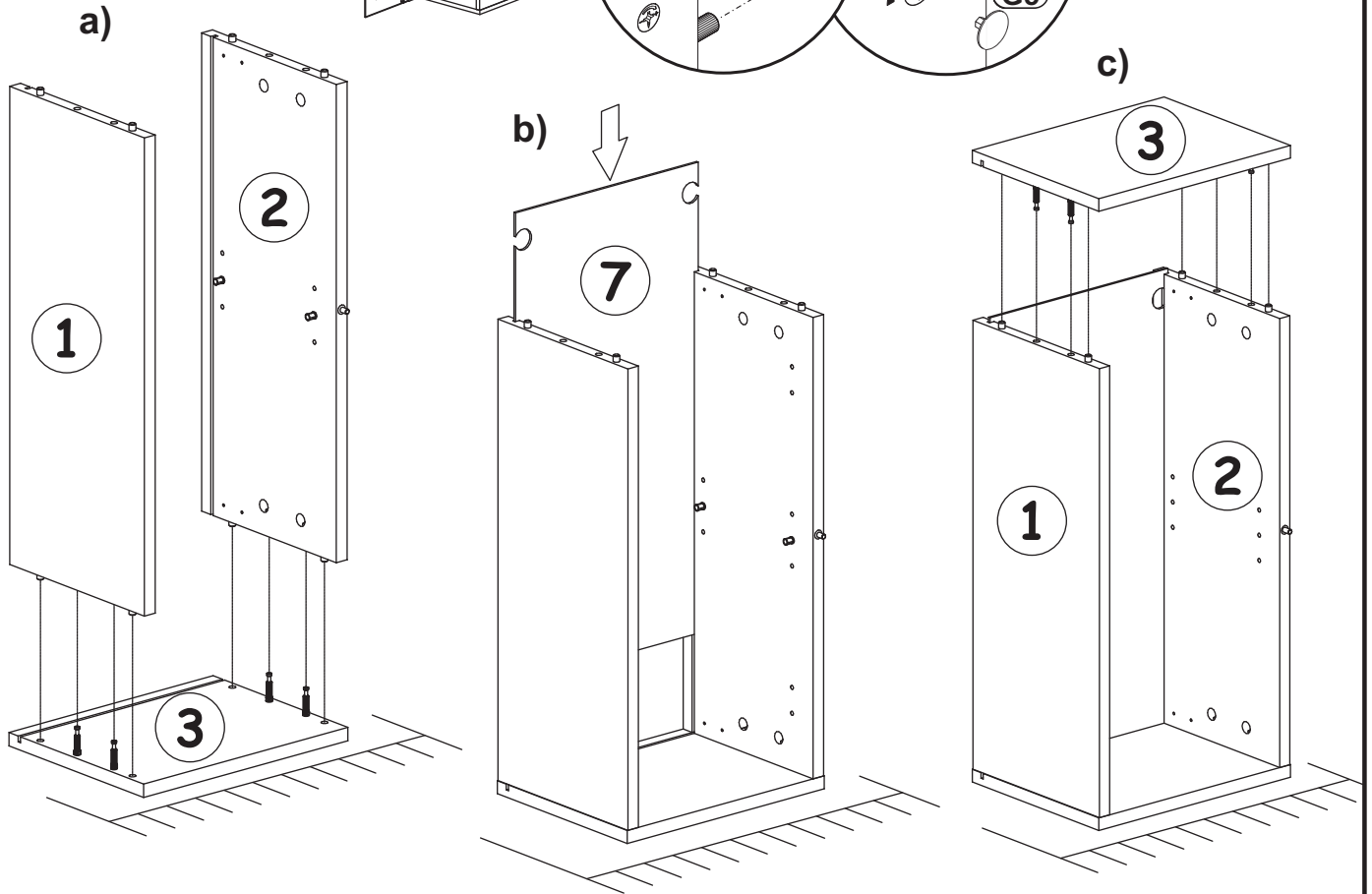


8

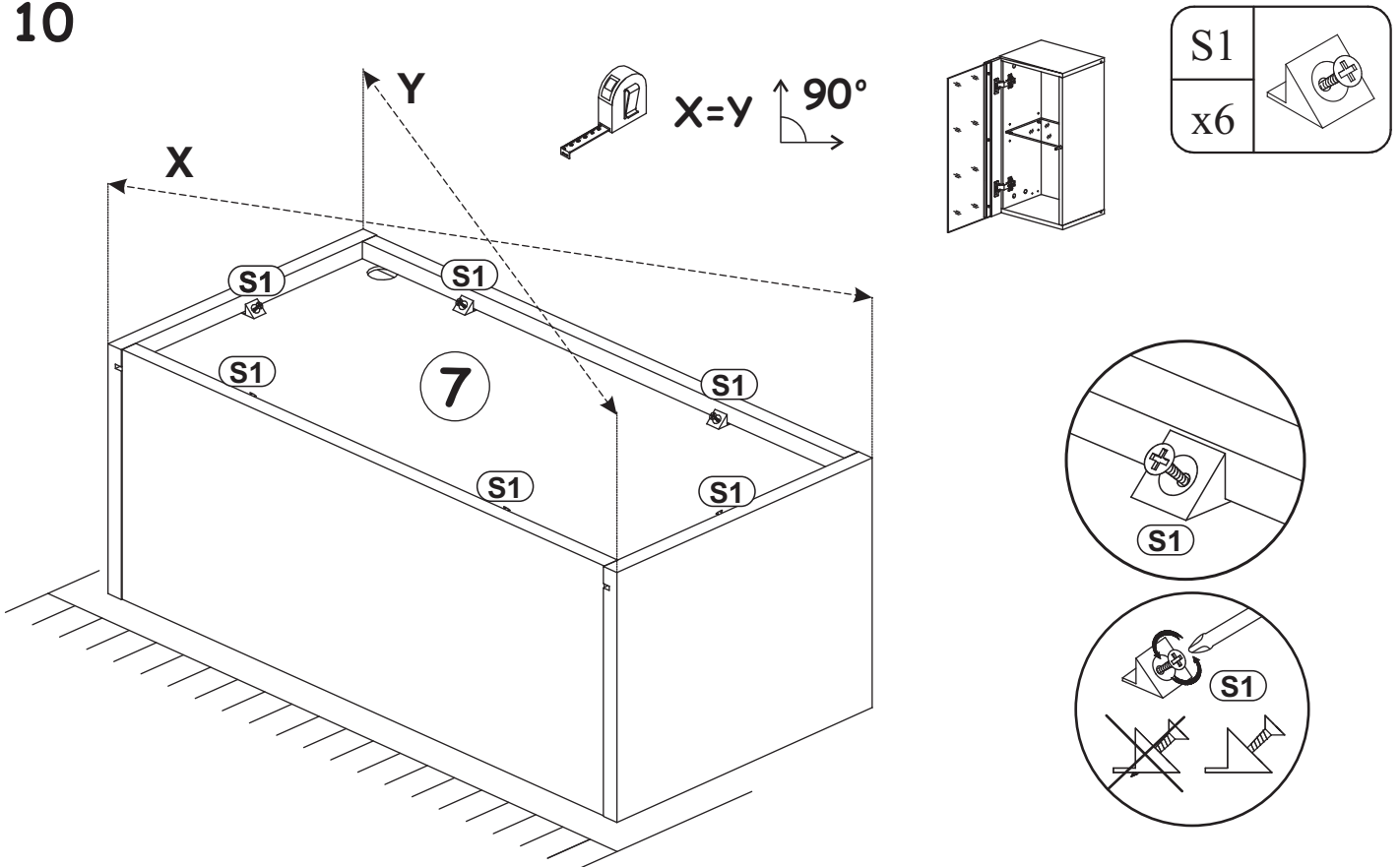


SWITCH WW 4

9



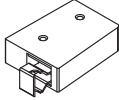

10

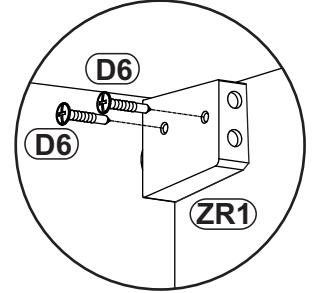
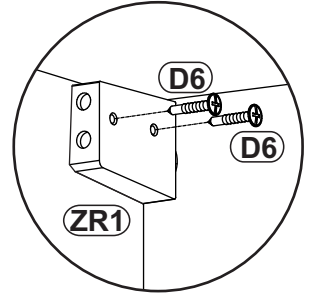
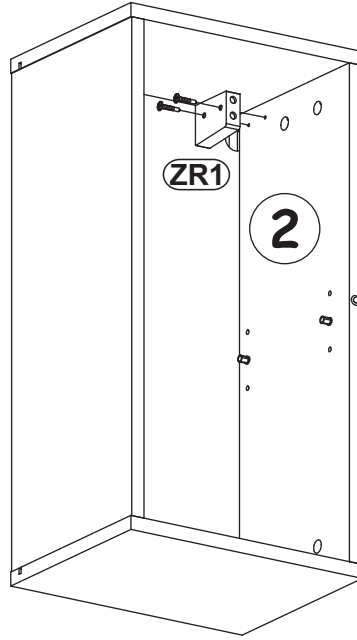
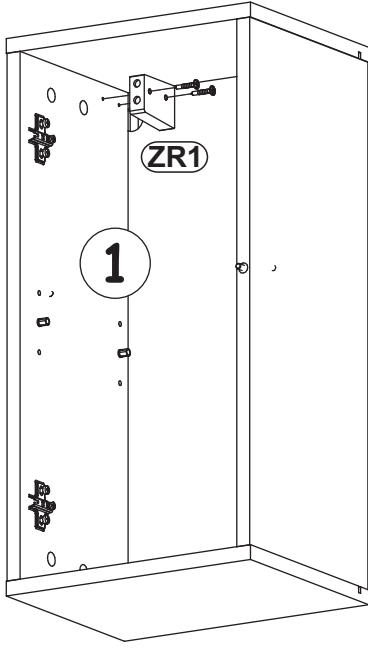
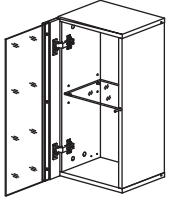




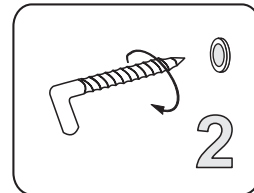
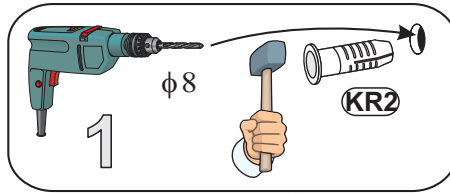
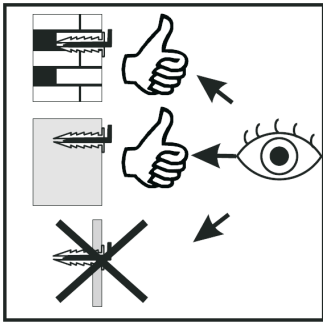
SWITCH WW 4

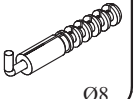
11

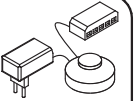
ZR1		D6	
x2		x4	US03,5x30

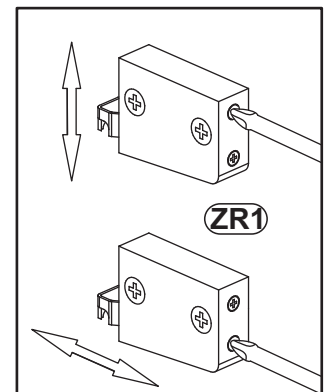
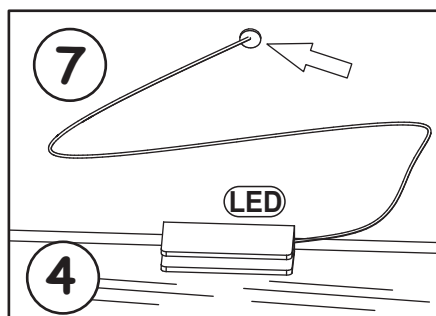
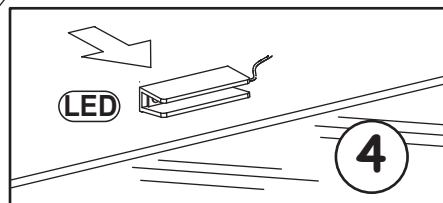
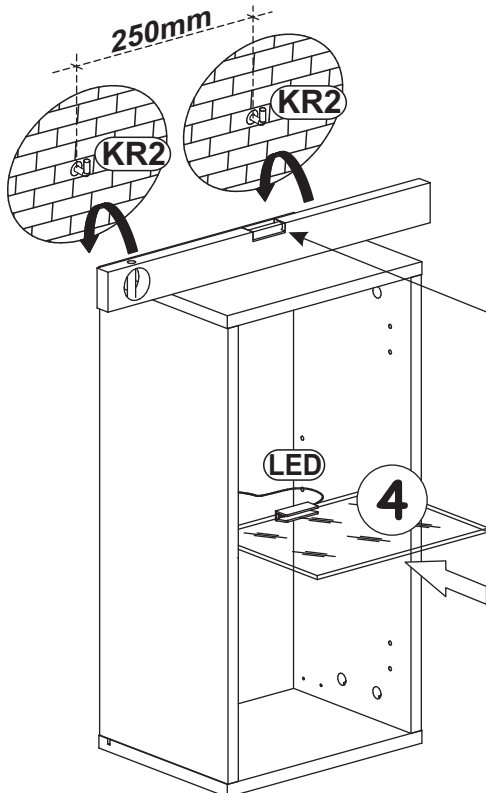
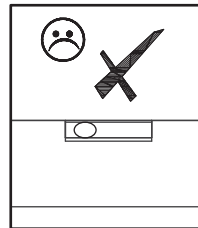
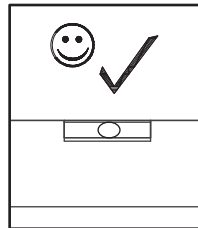


12



KR2	
x2	Ø8

LED	
x1	



13

