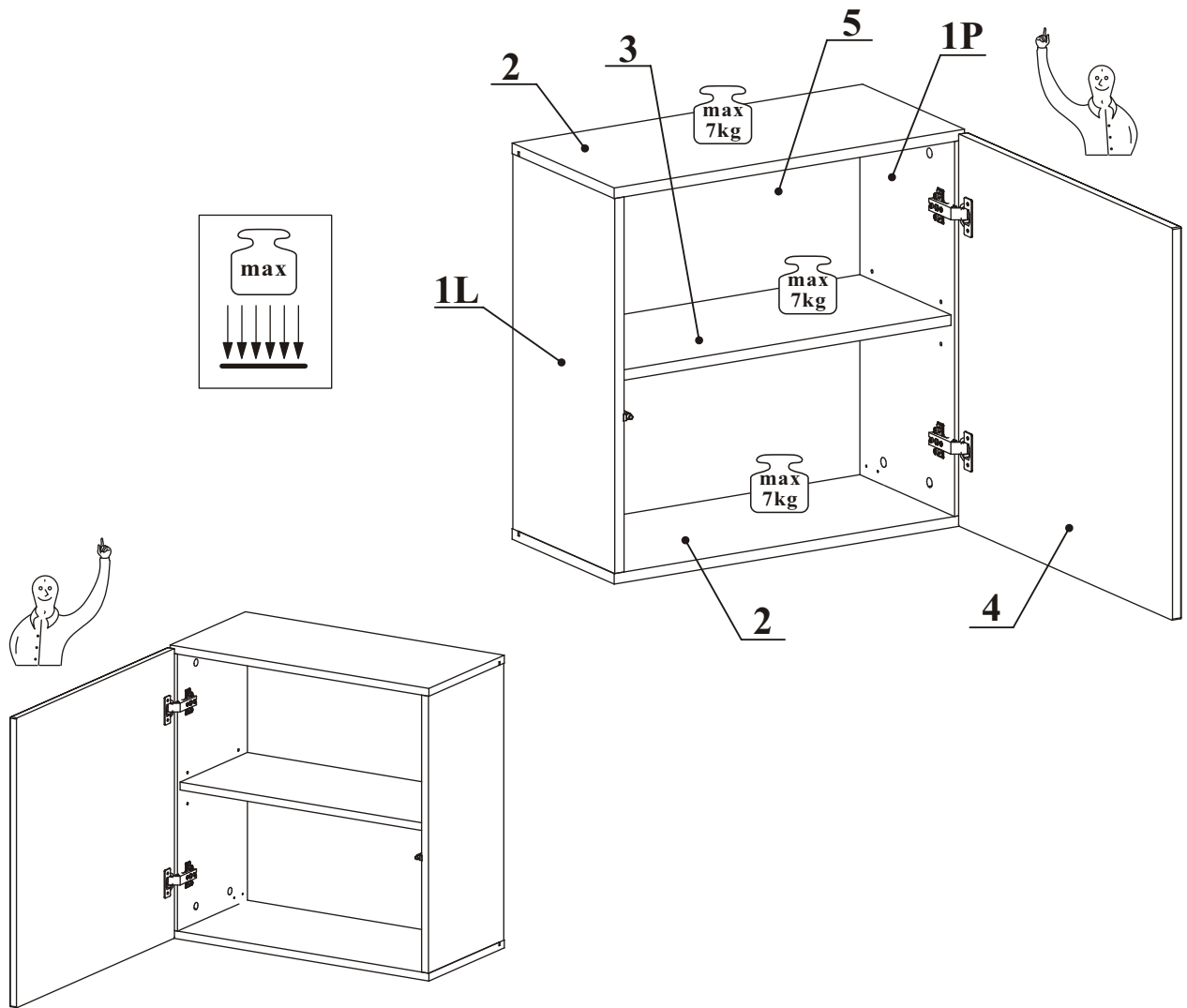
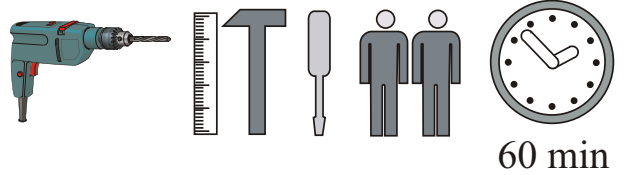


SWITCH SW3

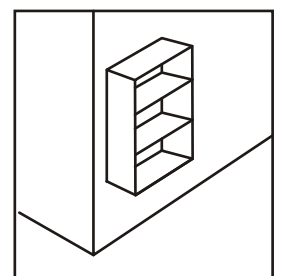
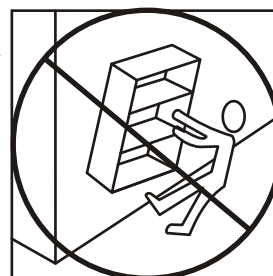
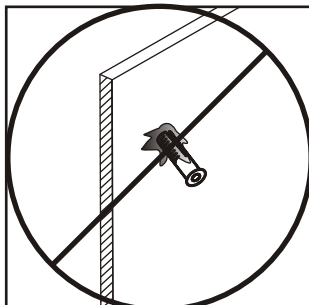
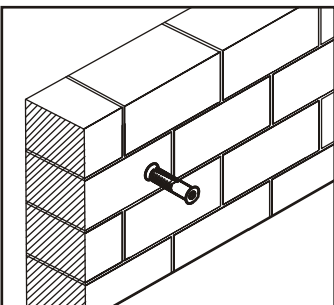
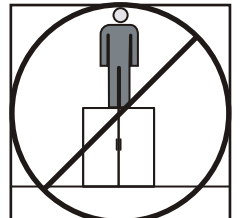
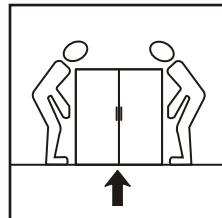
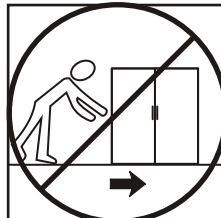
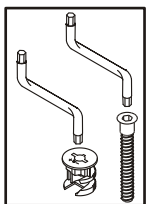
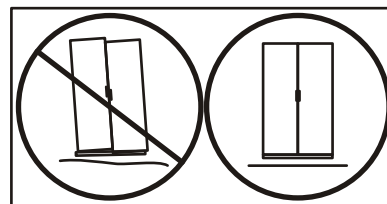
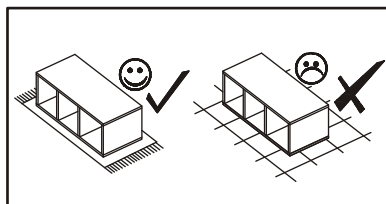
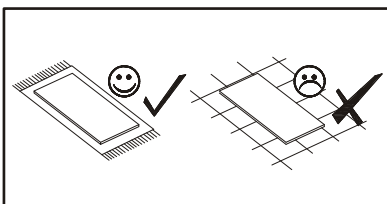
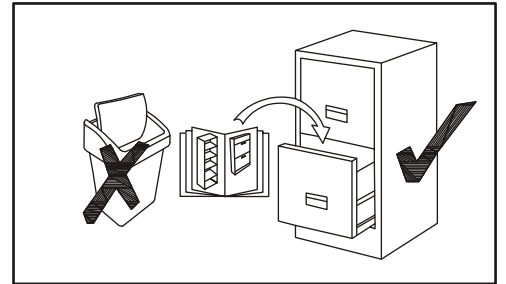
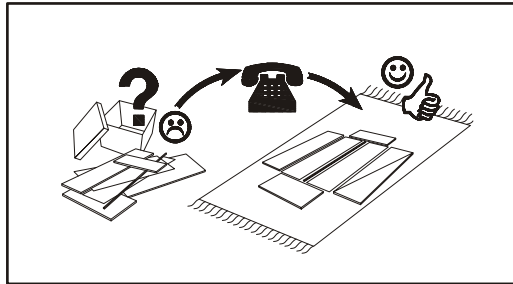
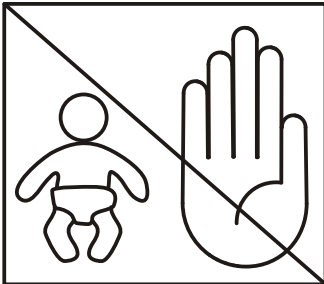
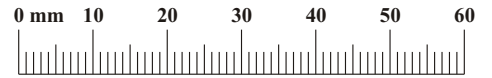


NO	Dim.		Col.-No	Qty
1 L/P	570	284	1	2
2	602	284	1	2
3	568	254	1	1
5	582	580	1	1
4	596	596	1	1



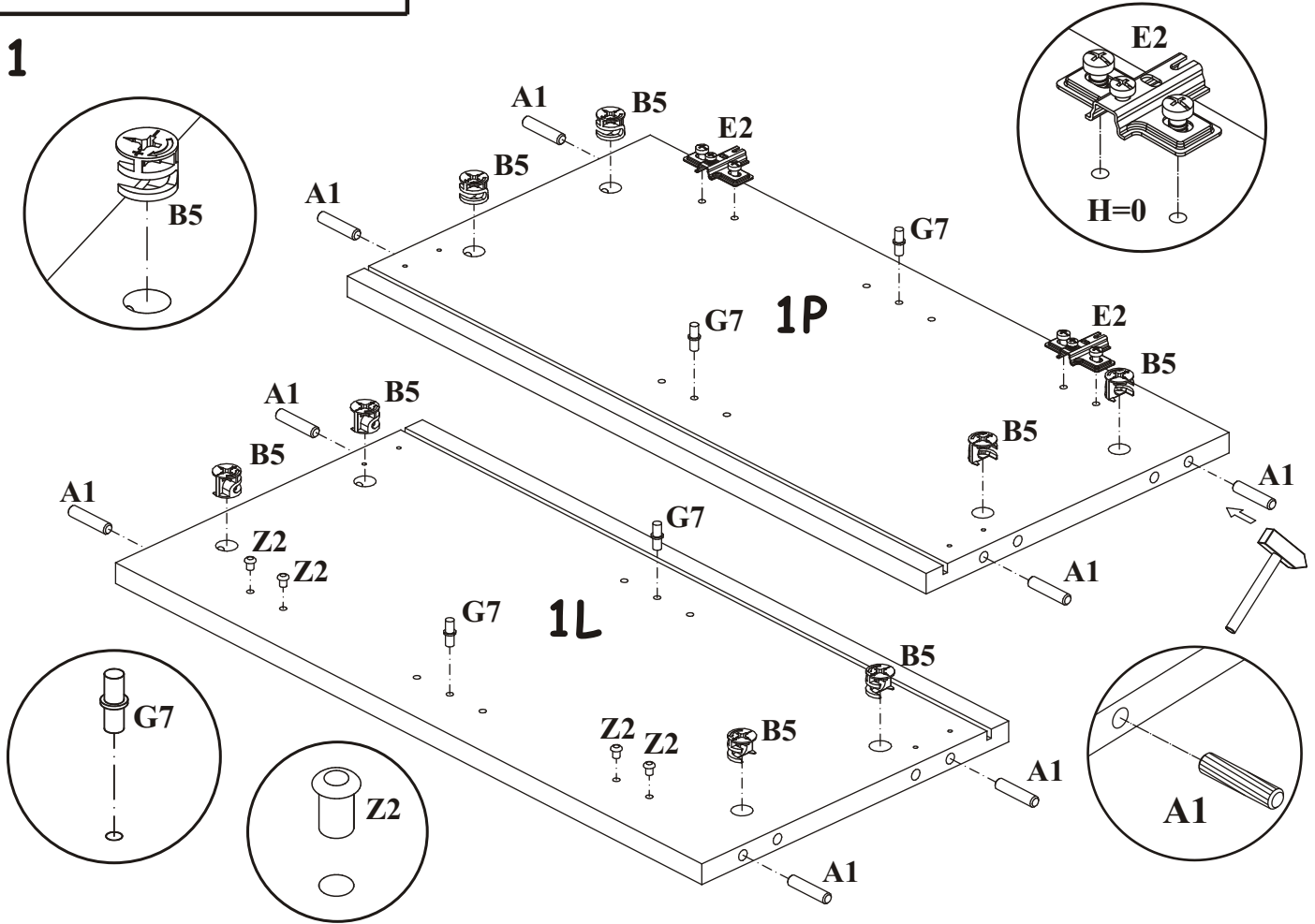
SWITCH - SW3

A1 X8 ø8x36	B4 X8	G5 X8	B5 X8 ø15x12	G7 X4	S1 X8
Z2 X4 ø5	D10 X6 USØ3,5x13	G2 X1	E1 X2 Ø26 H=0	E2 X2 H=0	ZR1 X2
D6 X4 USØ3,5x30	OD1 X1	KR2 X2			

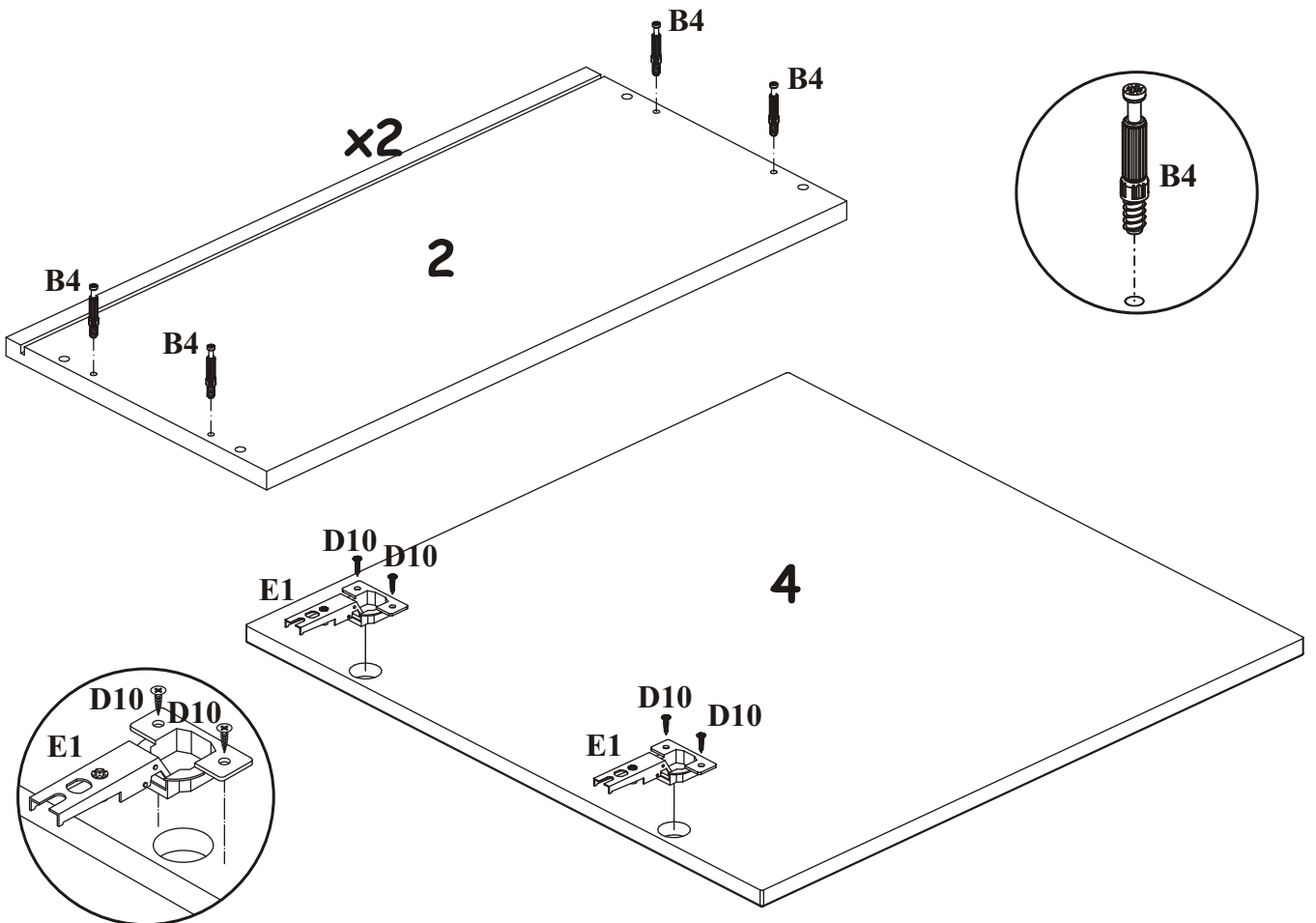


SWITCH - SW3

1

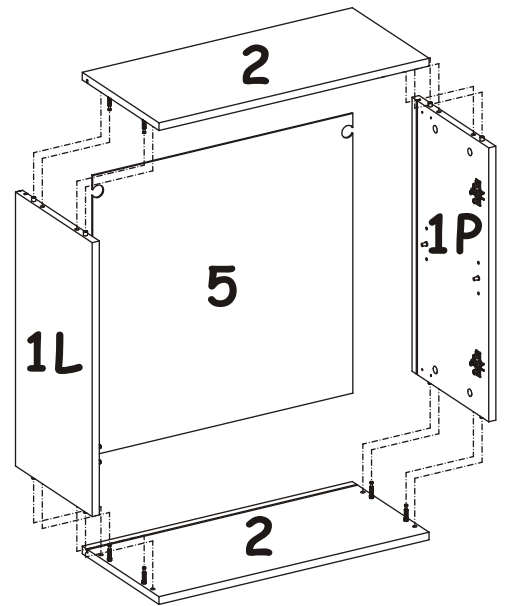
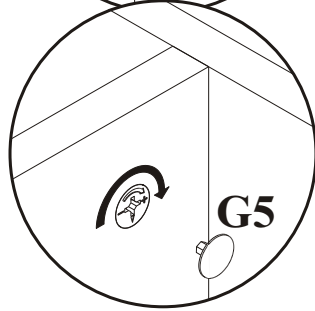
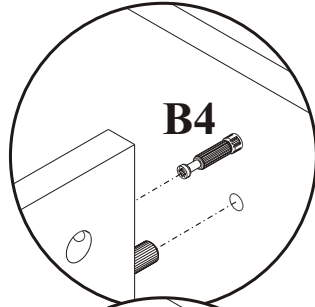
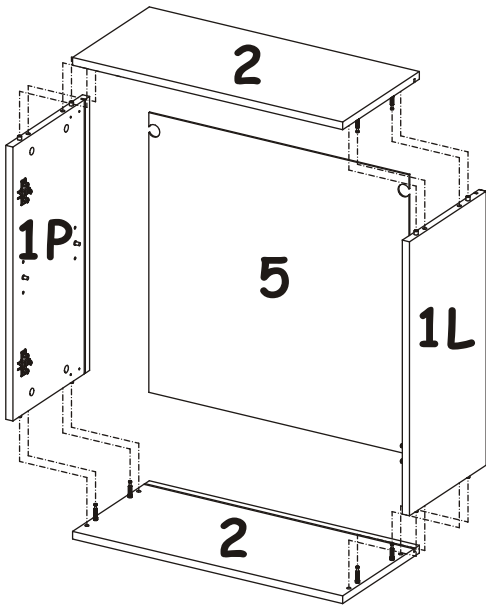
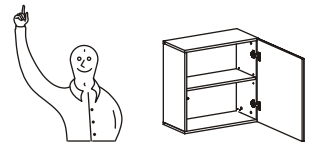
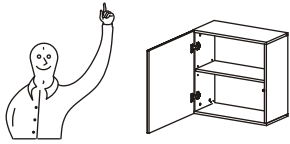


2

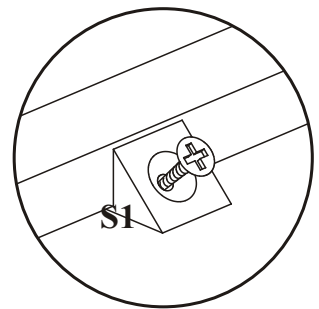
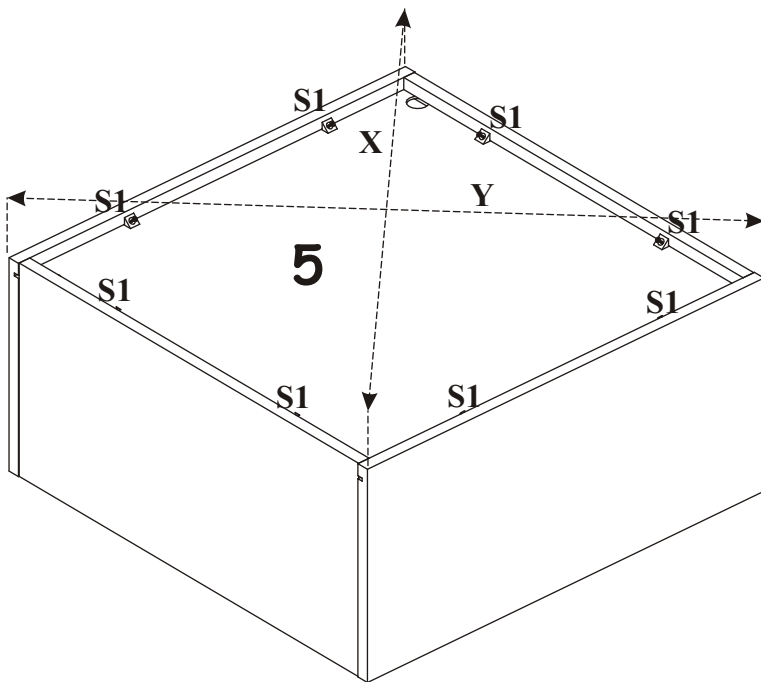


SWITCH - SW3

3



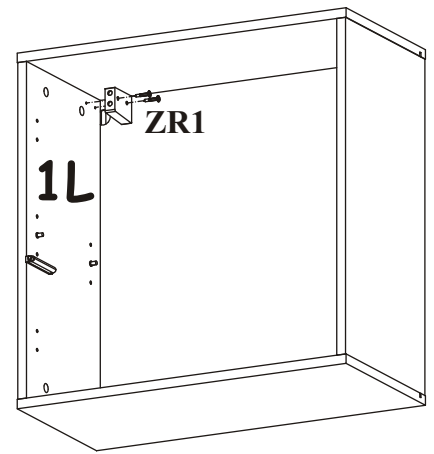
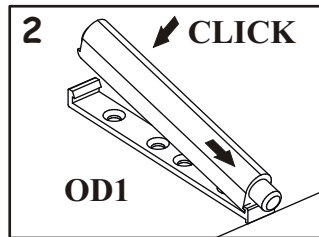
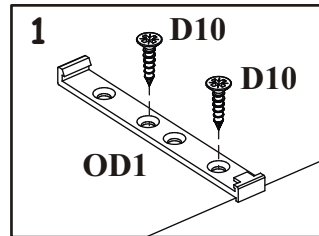
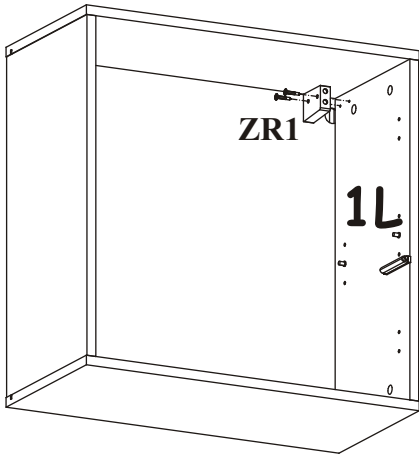
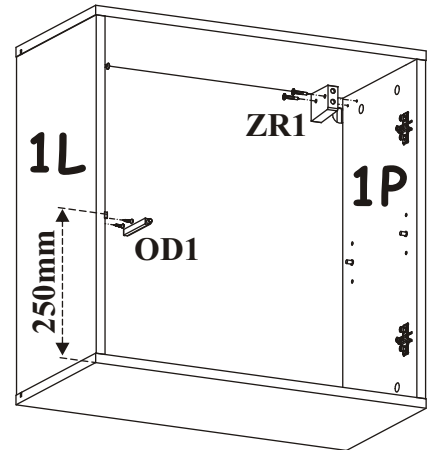
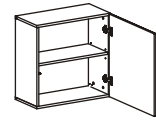
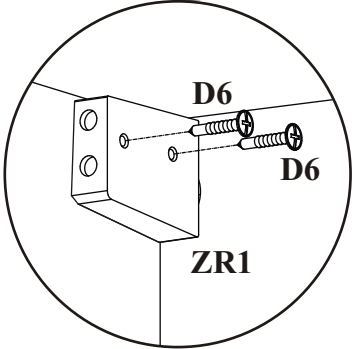
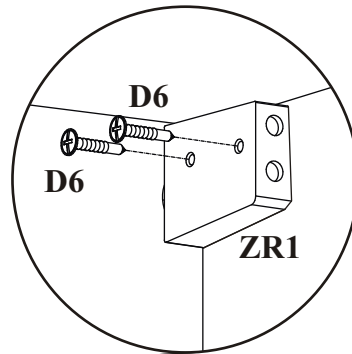
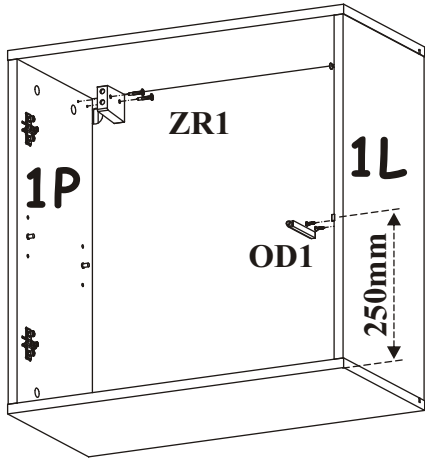
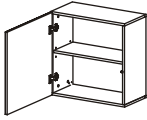
4



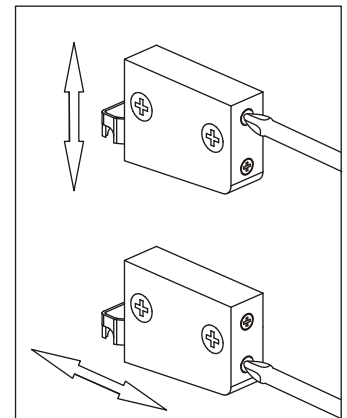
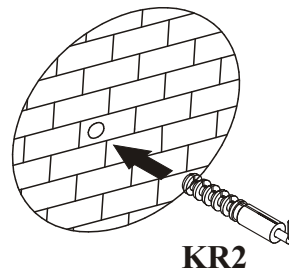
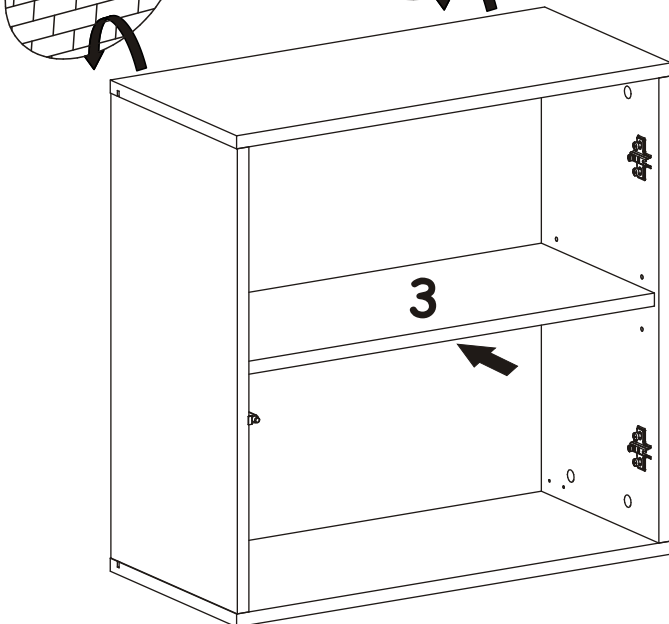
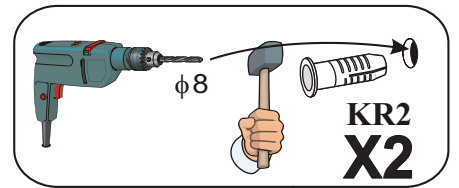
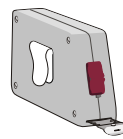
$X=Y$ \uparrow 90°

SWITCH - SW3

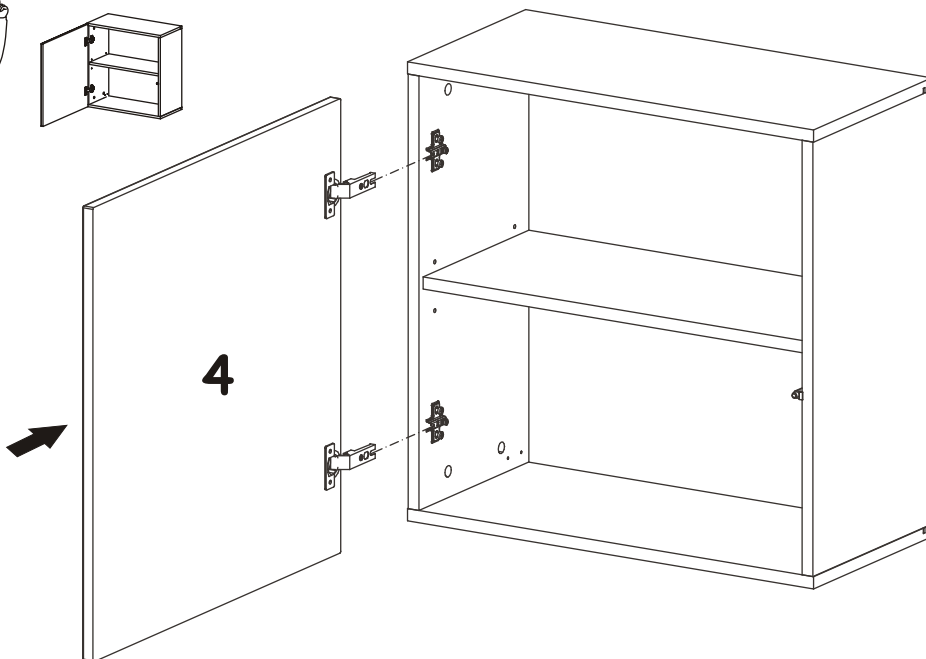
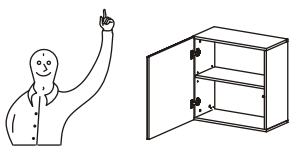
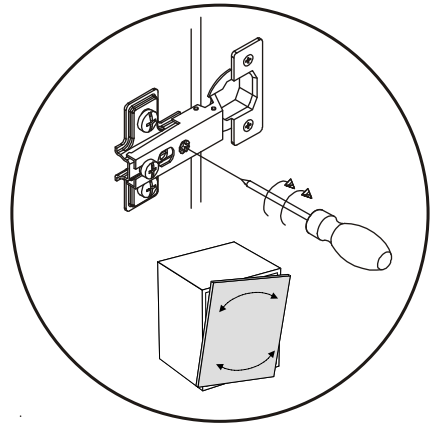
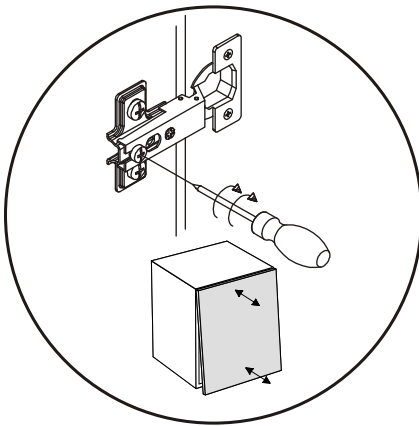
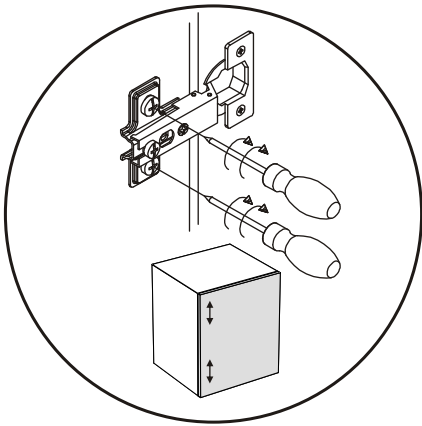
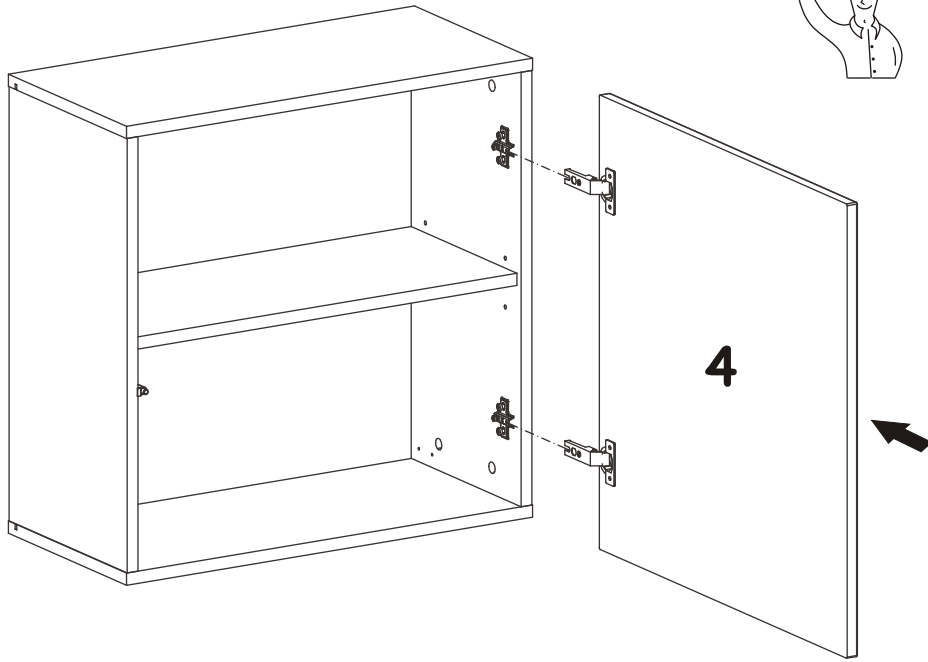
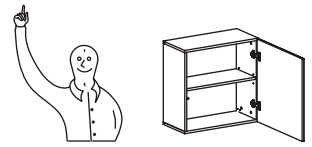
5



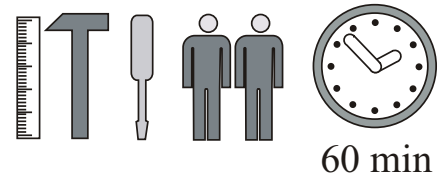
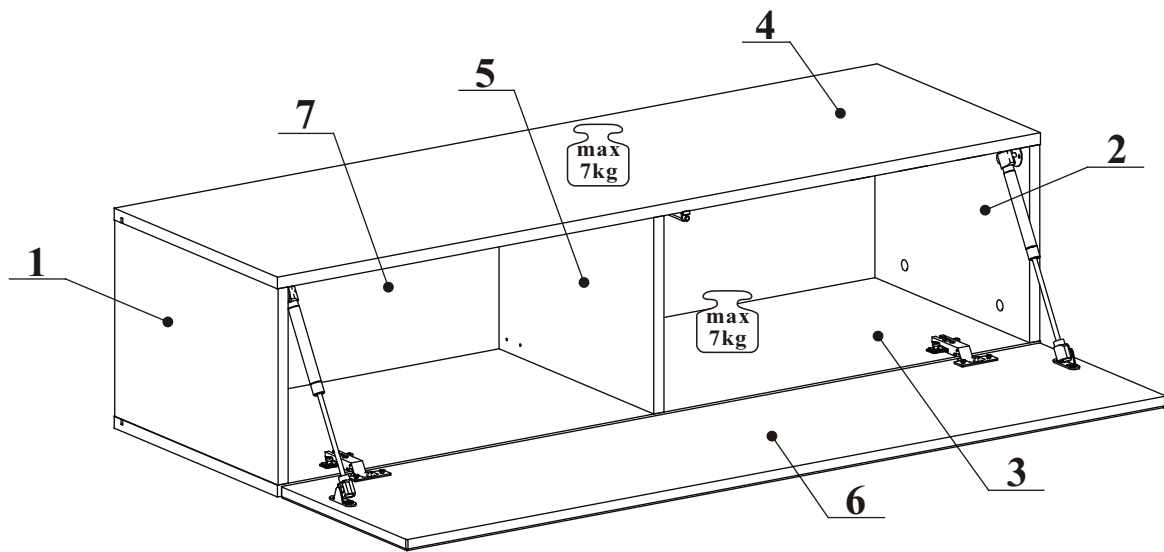
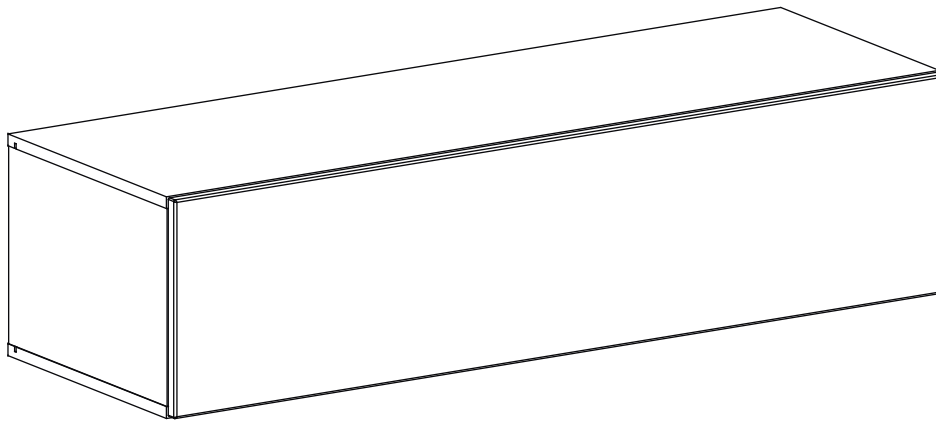
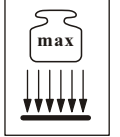
6



7



SWITCH RTV 2

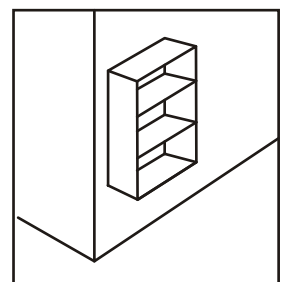
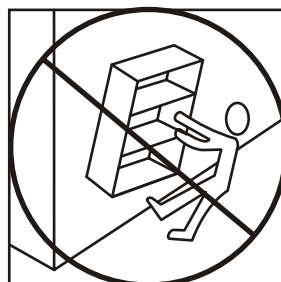
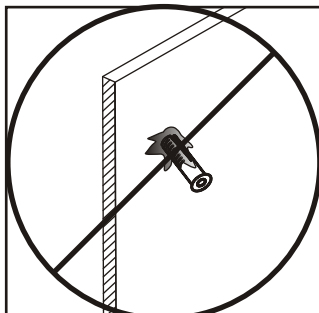
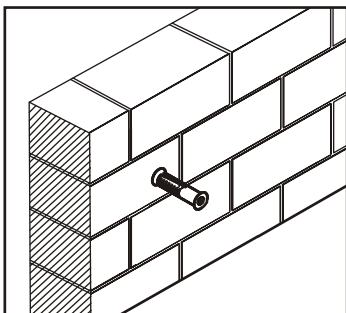
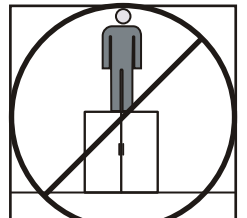
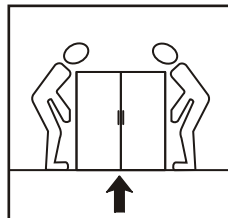
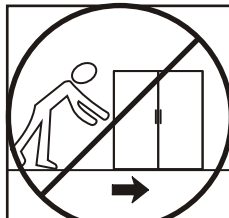
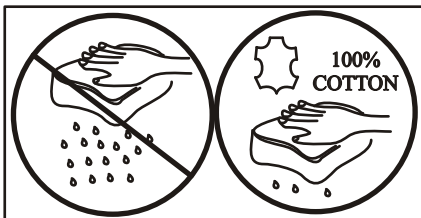
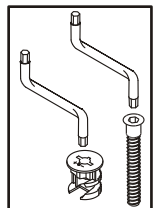
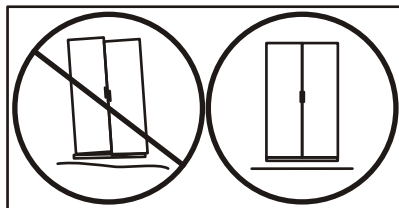
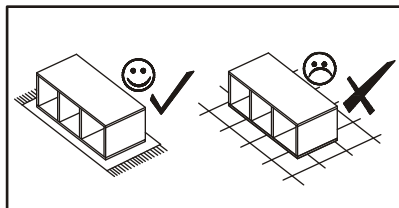
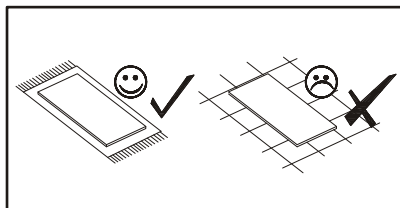
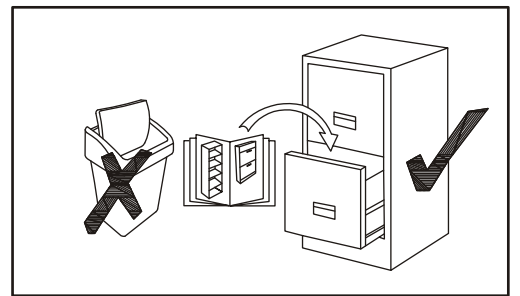
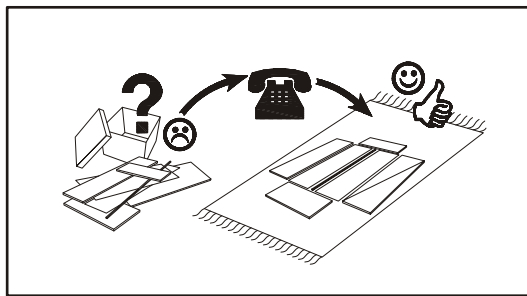
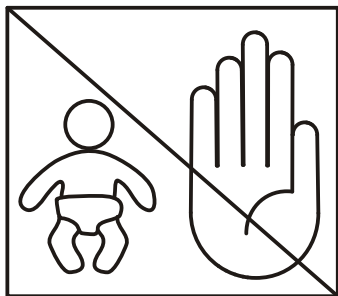
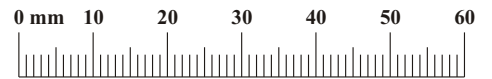


60 min

NO	Dim.		Col.-No	Qty
1	268	384	1	1
2	268	384	1	1
3	1202	384	1	1
4	1202	384	1	1
5	268	364	1	1
7	1180	280	1	1
6	1196	296	1	1

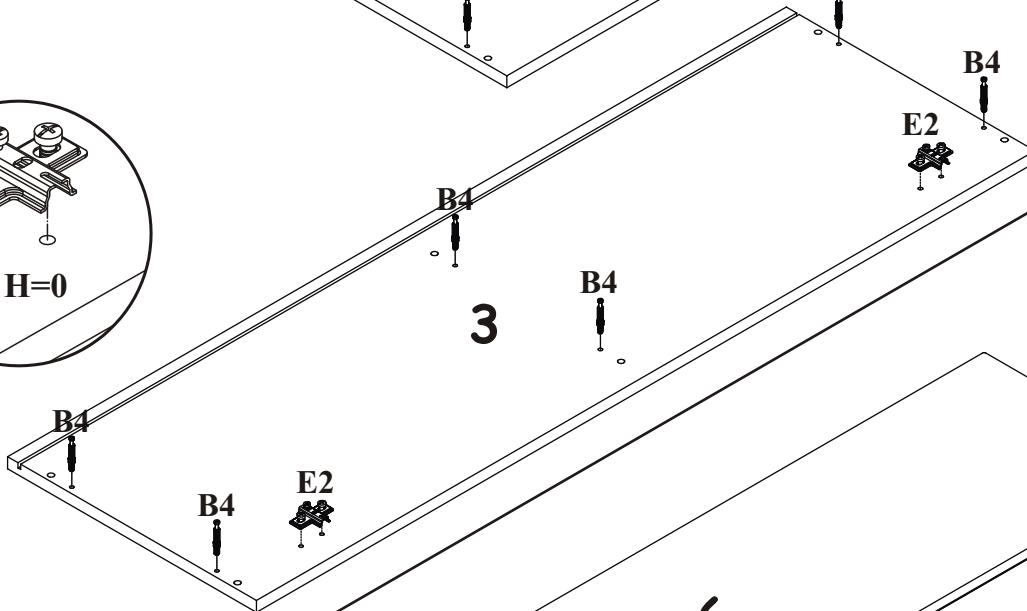
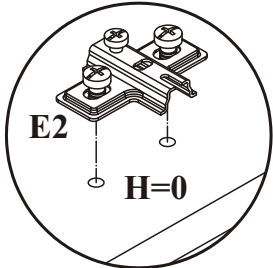
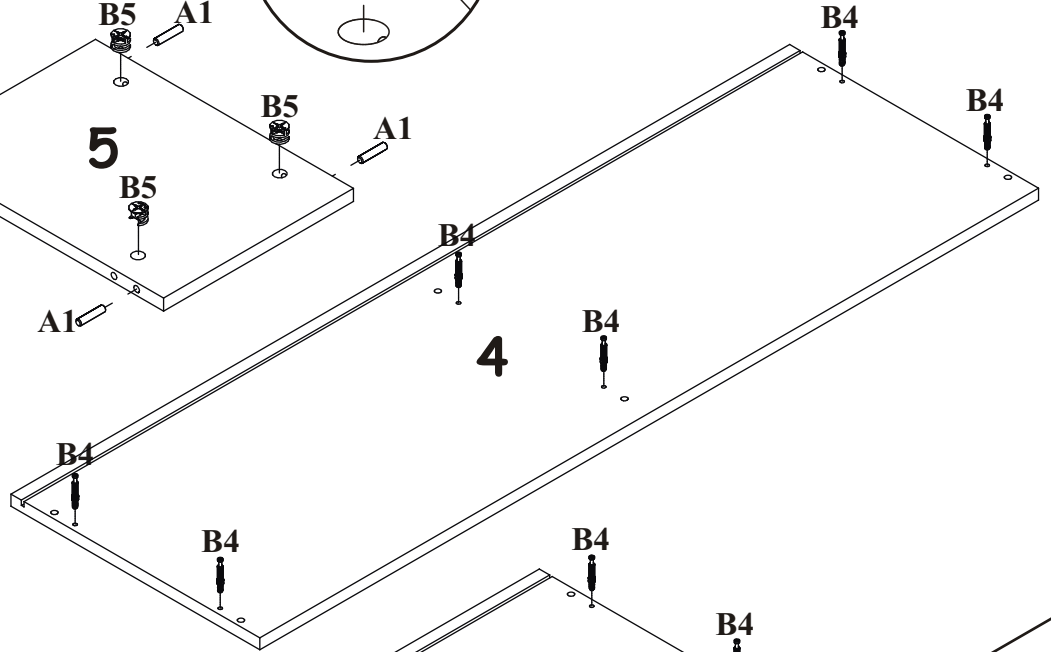
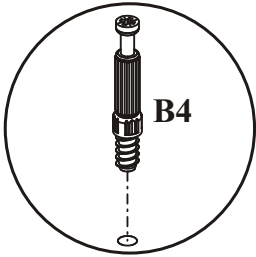
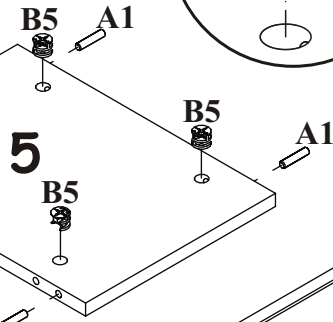
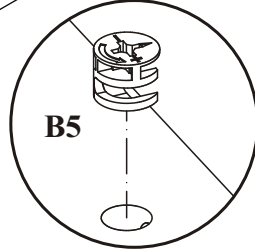
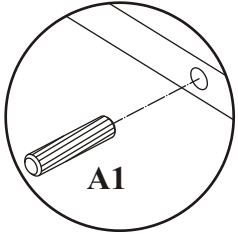
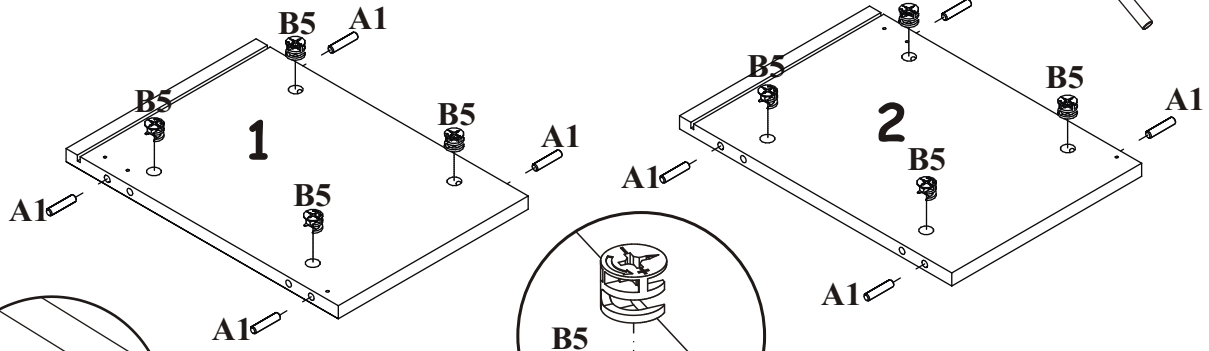
SWITCH RTV 2

A1 X12 ø8x36	B4 X12	G5 X12	B5 X12 ø15x12	ZR1 X3	D6 X6 USØ3,5x30
E1 X2 Ø26 H=0	E2 X2 H=0	D10 X10 USØ3,5x13	OD1 X1	S1 X10	BP1 X2
KR2 X3	G2 X1				

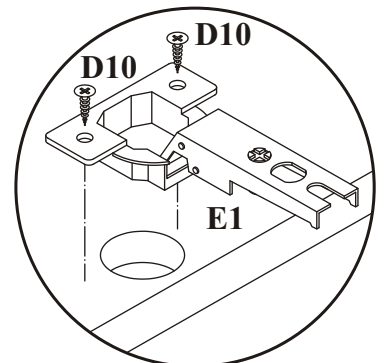
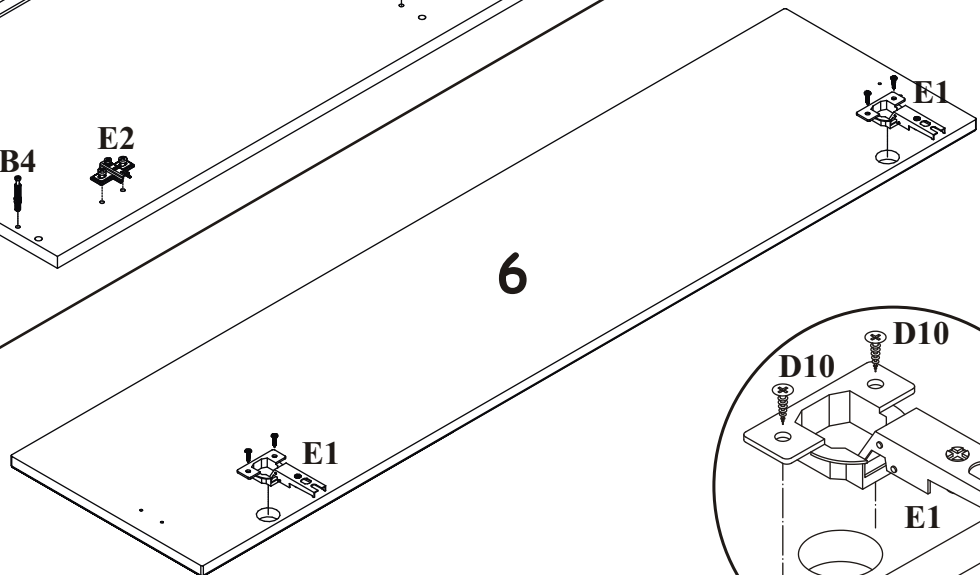


SWITCH RTV 2

1

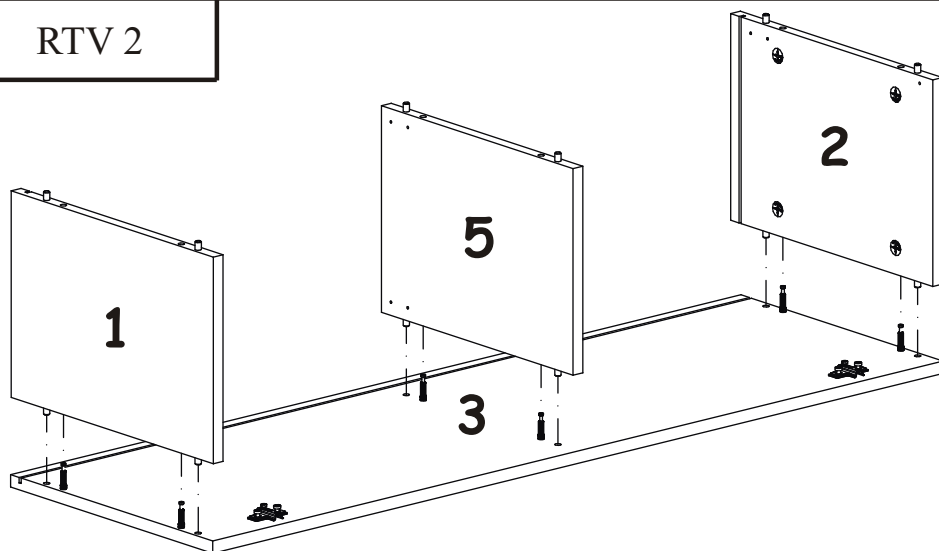


2

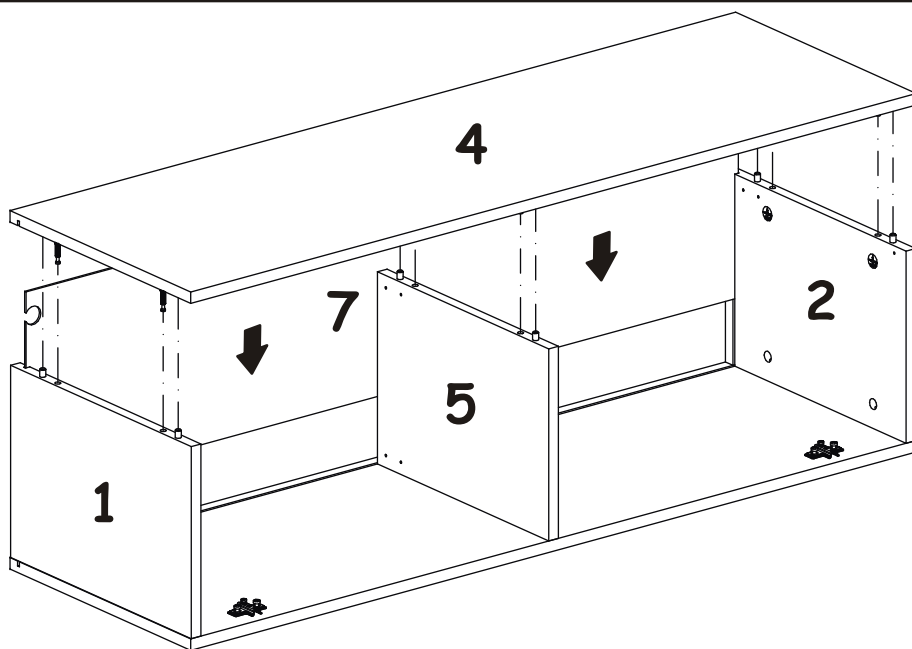


SWITCH RTV 2

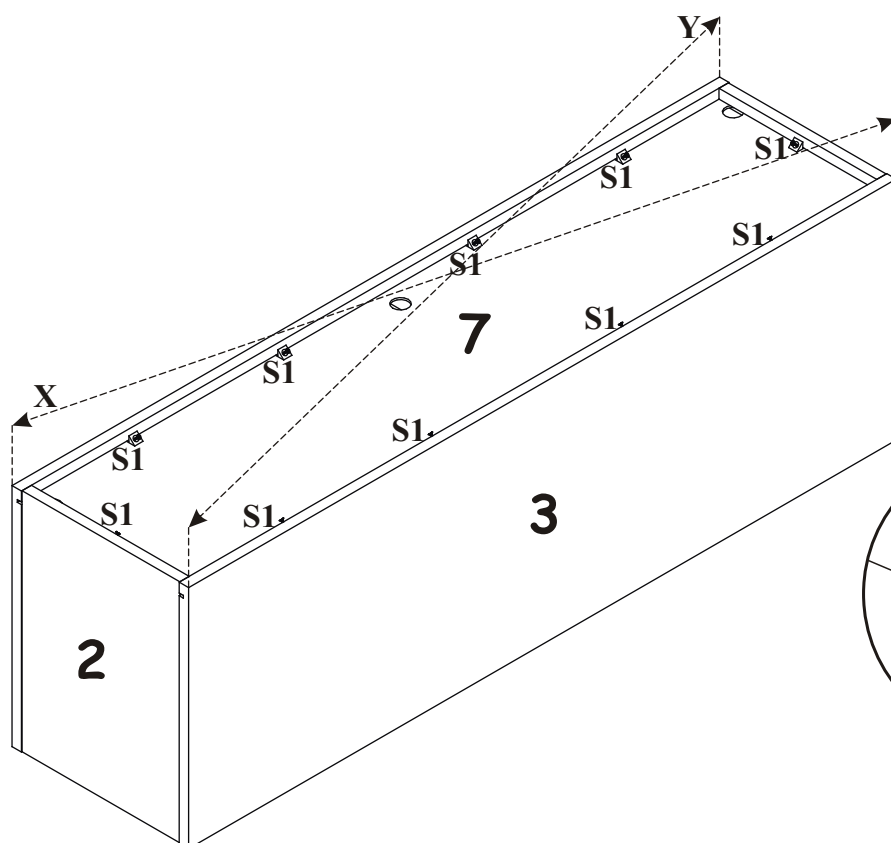
3



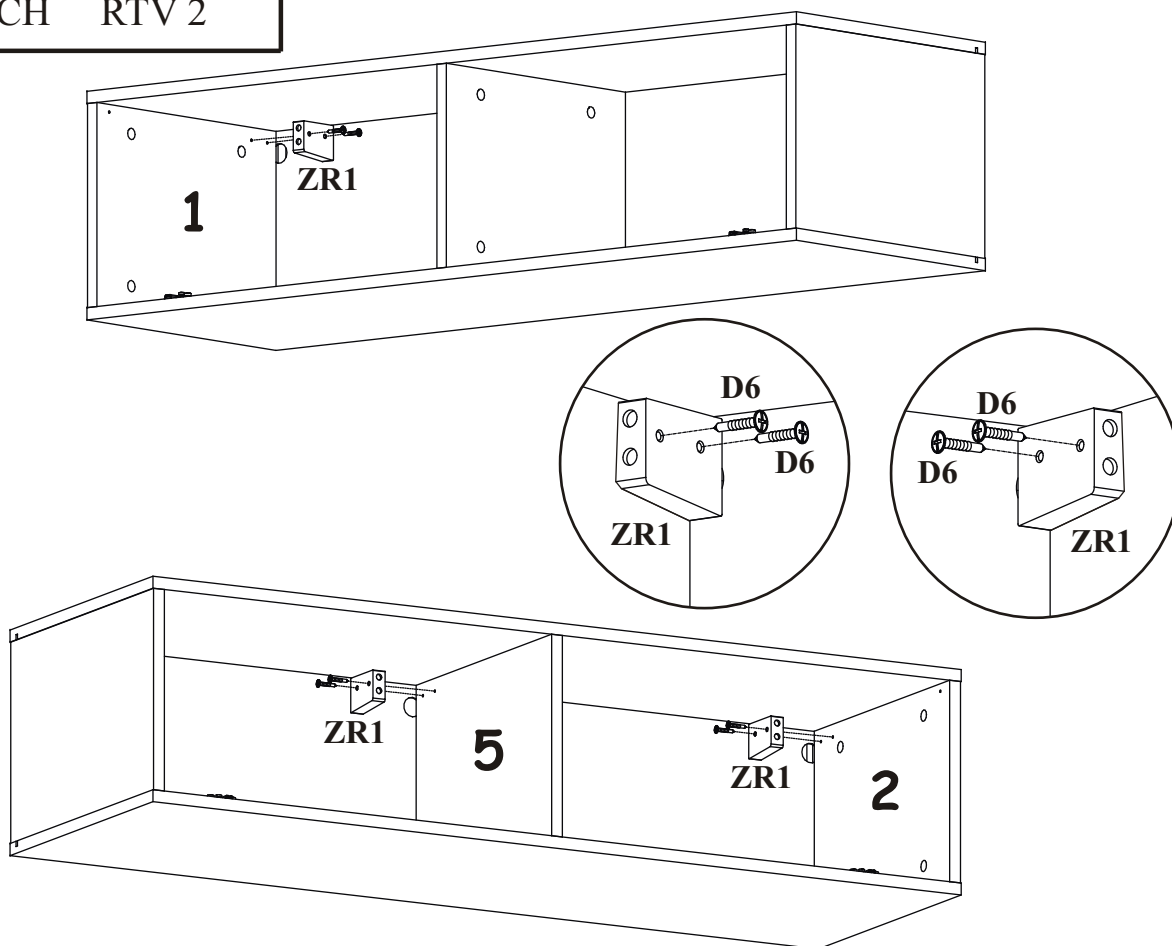
4



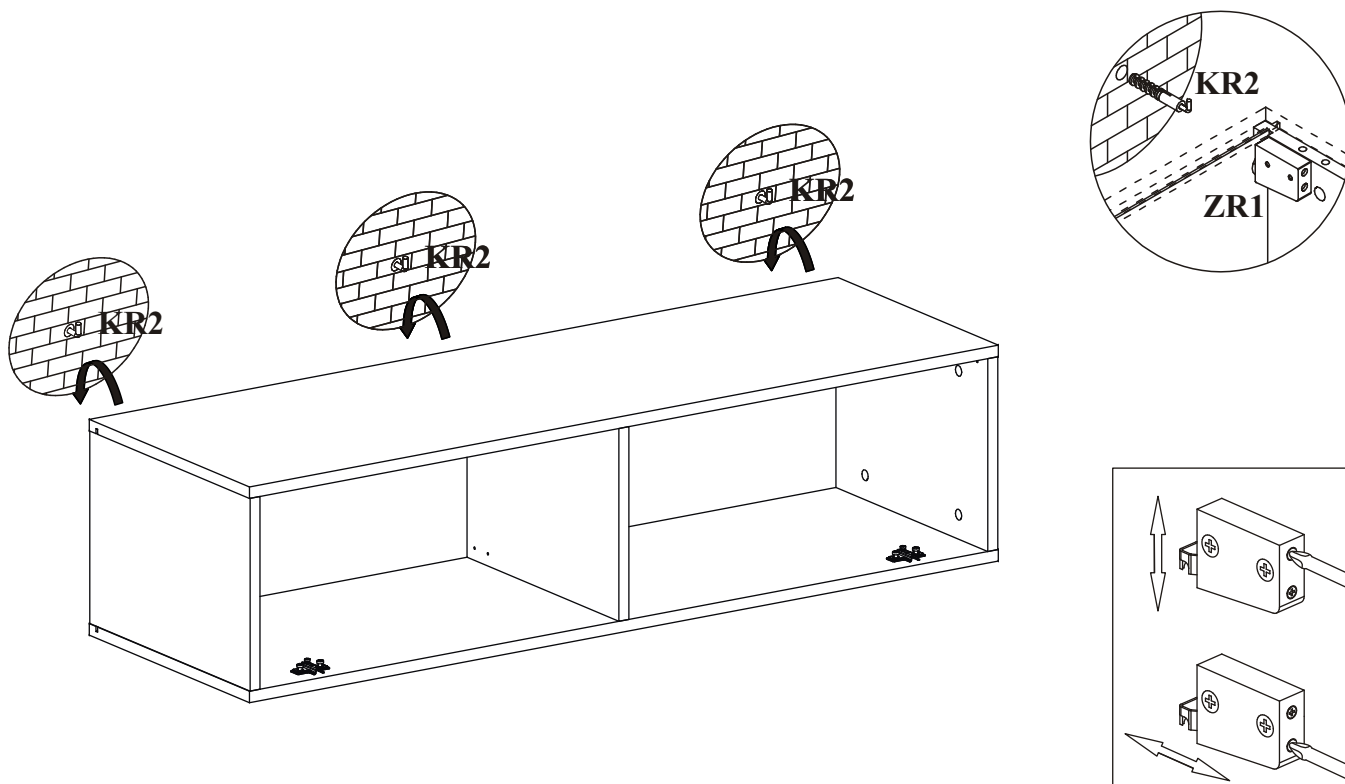
5



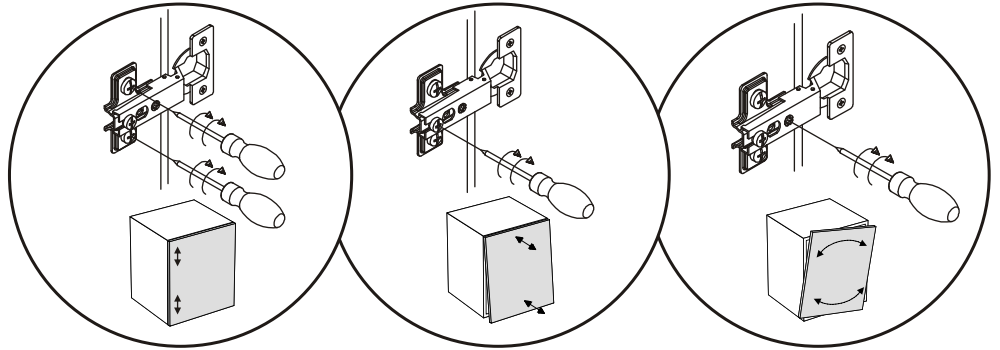
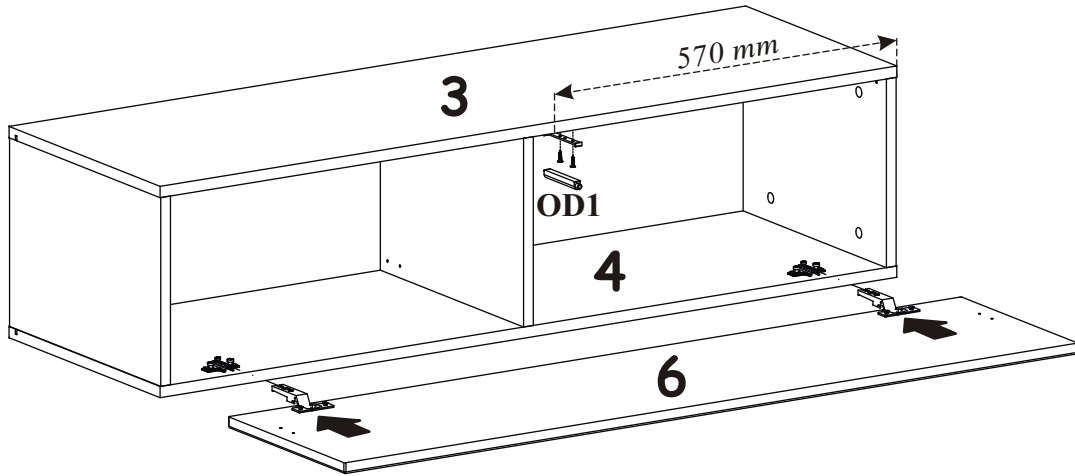
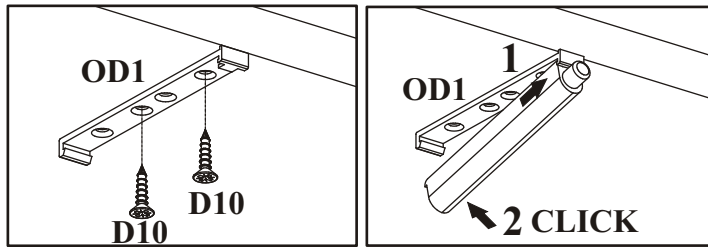
6



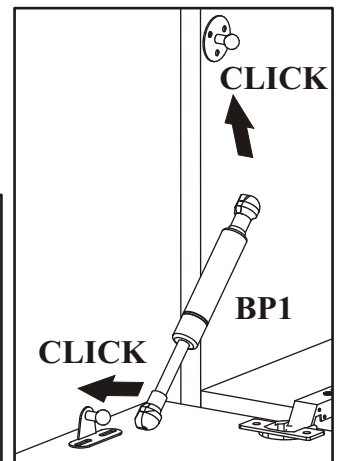
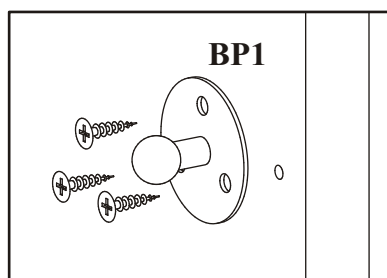
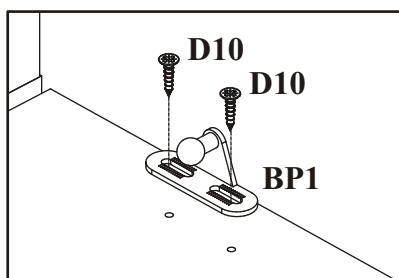
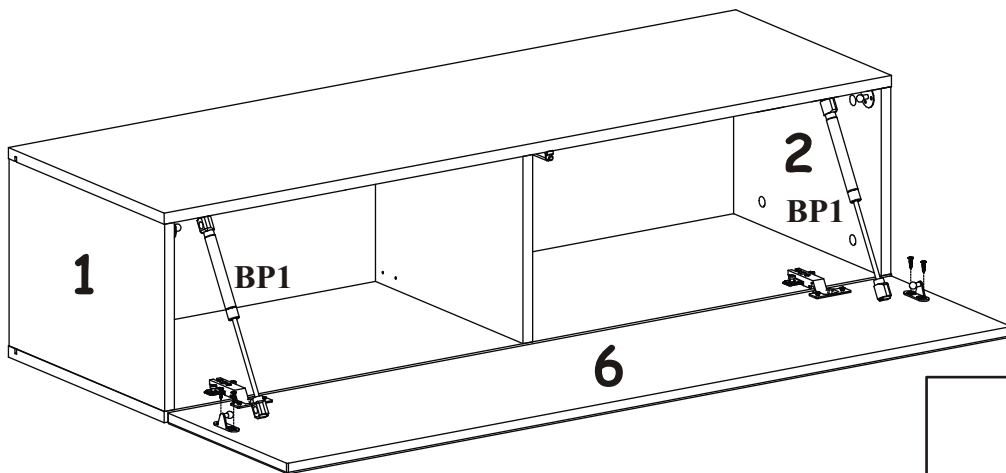
7



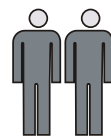
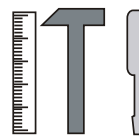
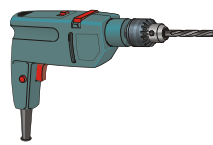
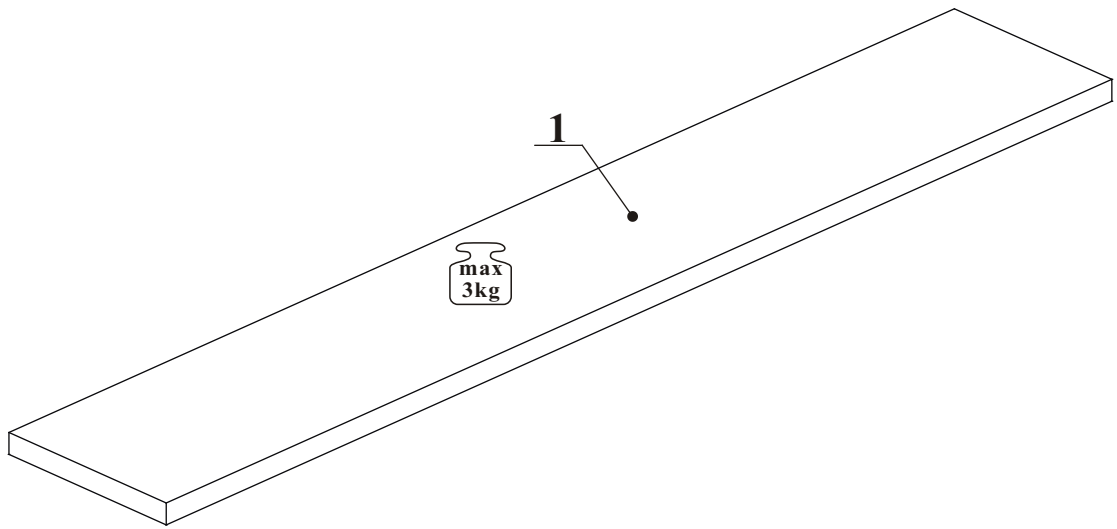
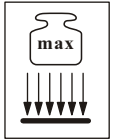
8



9



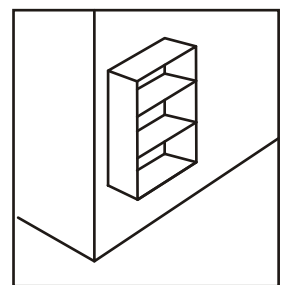
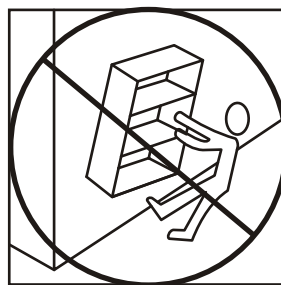
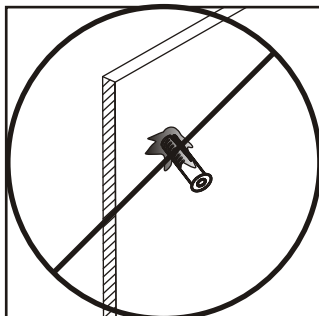
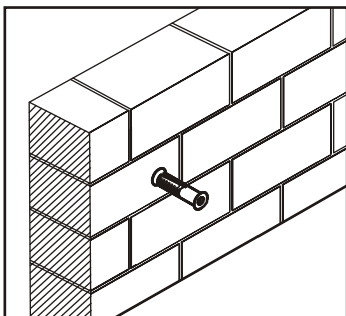
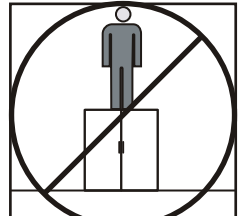
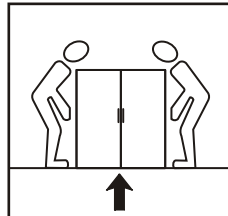
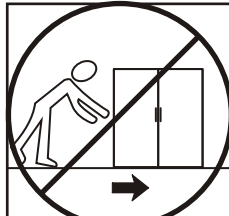
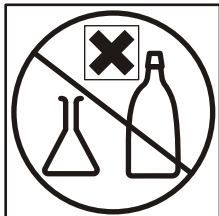
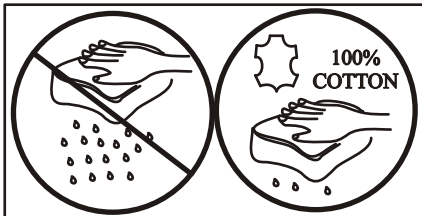
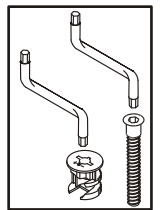
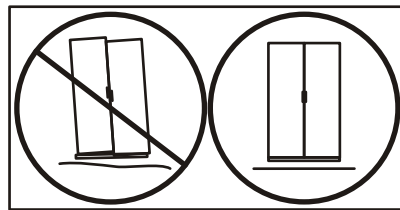
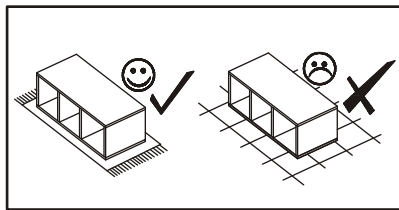
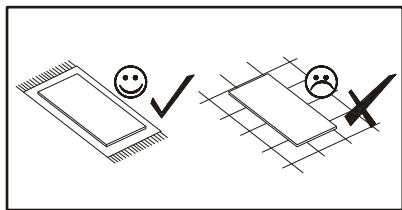
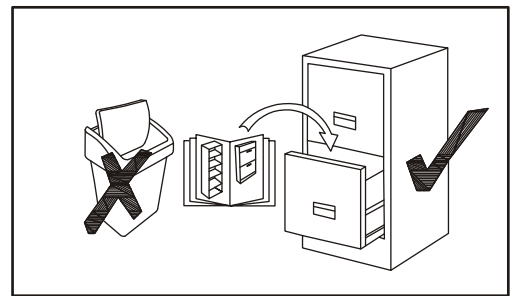
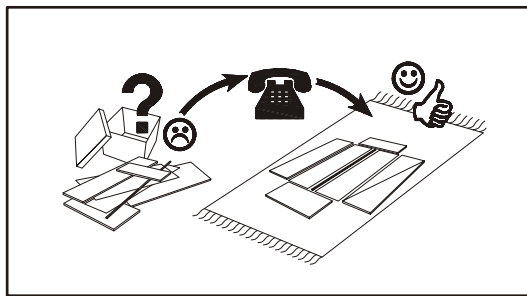
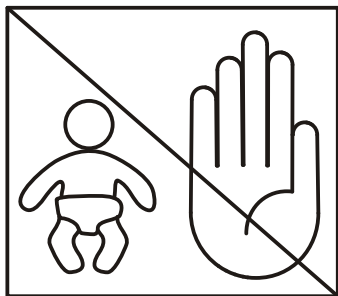
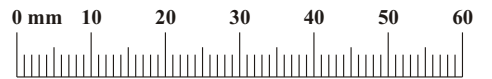
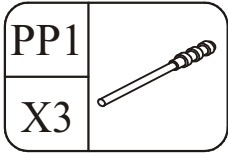
SWITCH PW 2



10 min

NO	Dim.		Col.-No	Qty
1	1202	200	1	1

SWITCH PW 2



SWITCH PW 2

