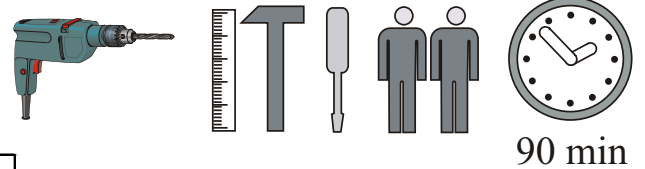
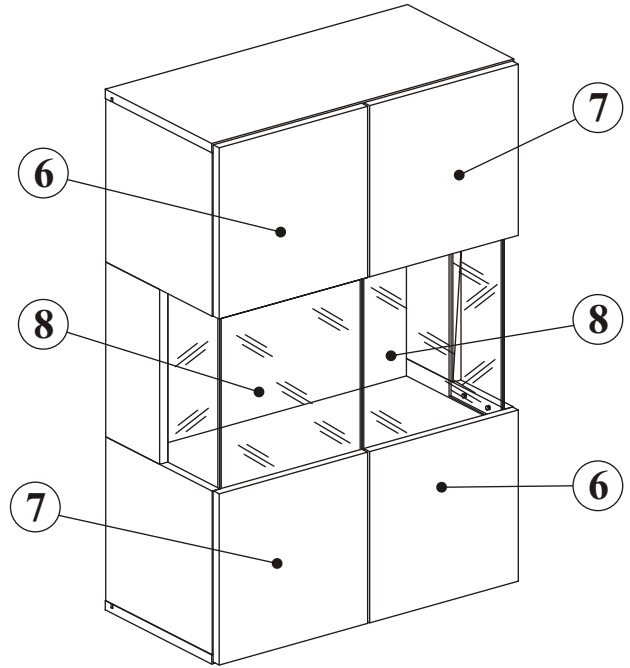
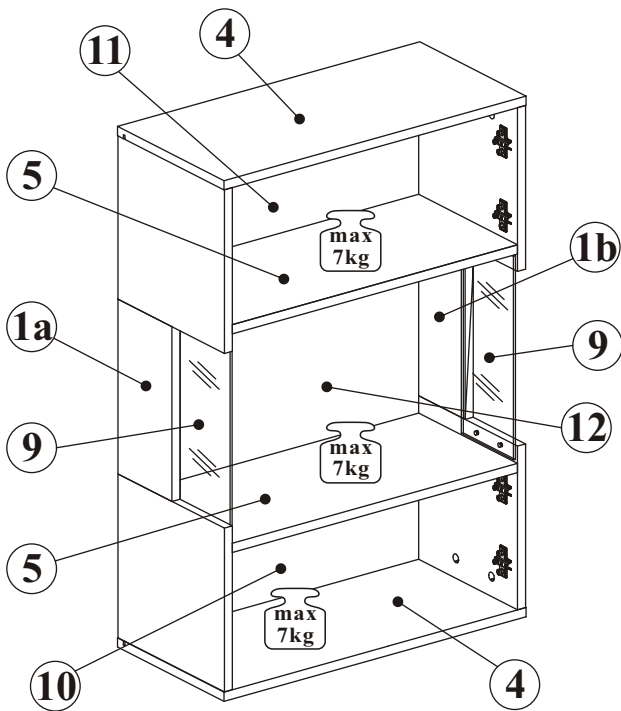
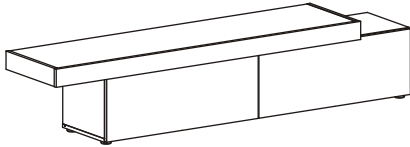
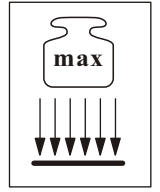
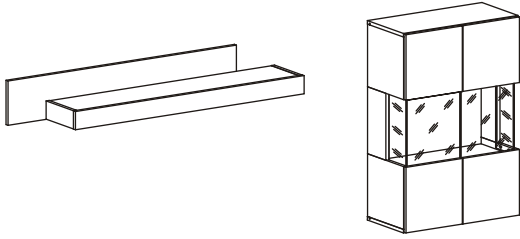


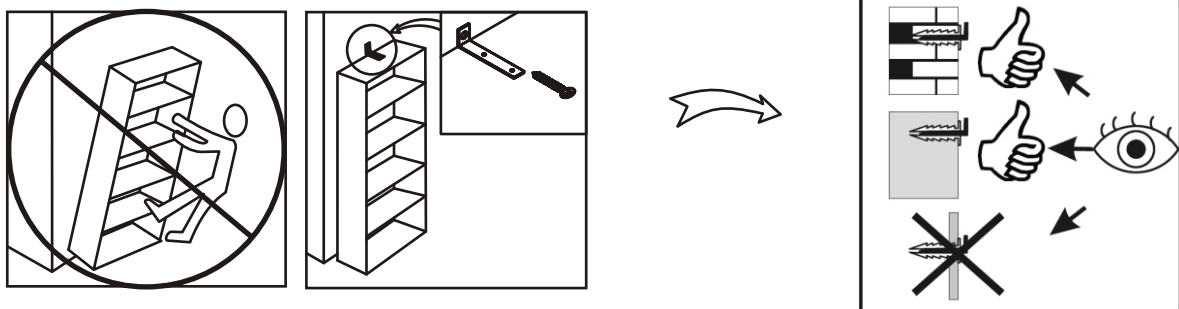
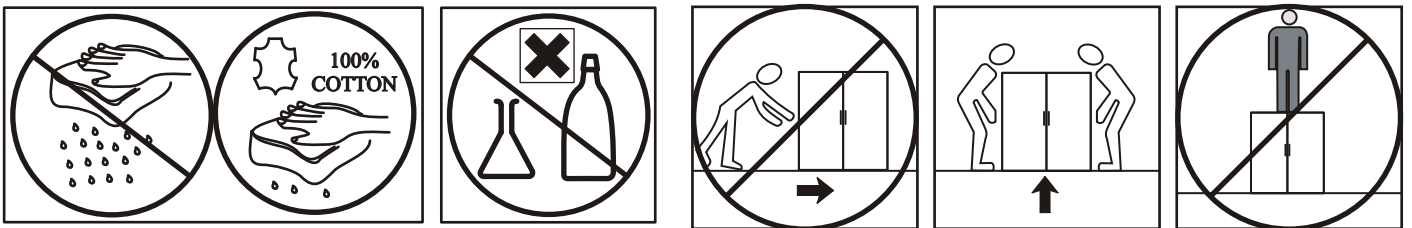
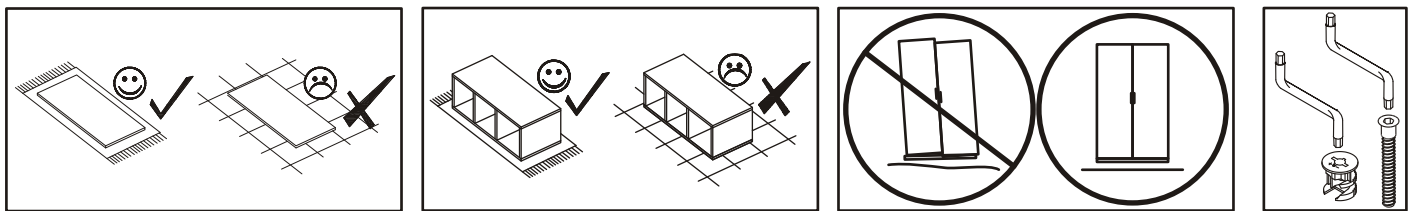
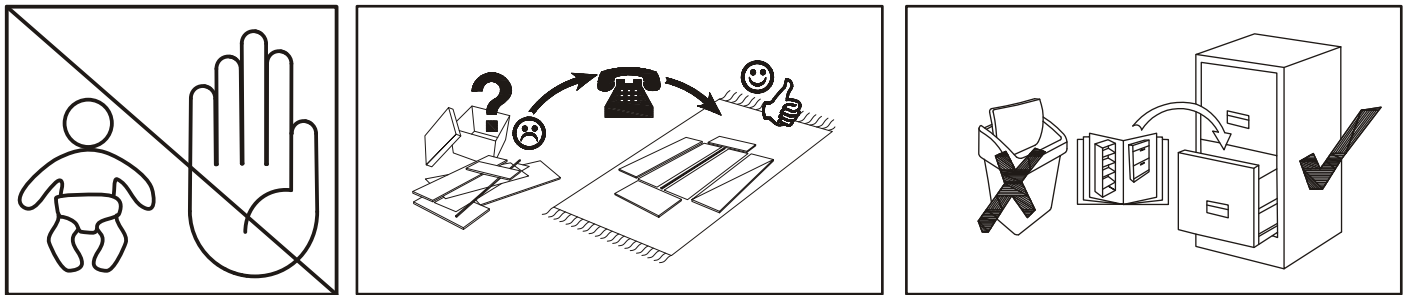
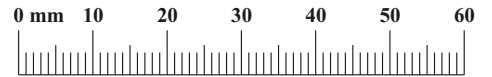
CONCRET 20_CR TYP 20



NO	Dim.			Col.-No	Qty
1a	868	286	16	1	1
1b	868	286	16	1	1
4	602	286	16	1	2
5	568	266	16	1	2
6	296	296	16	1	2
7	296	296	16	1	2
8	352	280	4	1	2
9	352	140	4	1	2
10	251	580	3	1	1
11	251	580	3	1	1
12	377	580	3	1	1

CONCRET 20_CR TYP 20

A1 x16 ø8x36	B4 x16	B5 x16 ø15x12	G5 x16	KR3 x2 ø10	D10 x20 USØ3,5x13
E1 x8 Ø26 H=0	E2 x8 H=0	P2 x20	UP13 x30 UPØ3x16	T1 x2	G2 x1
ZXL x1	ZXP x1	S1 x14	G16 x10		



CONCRET 20_CR TYP 20

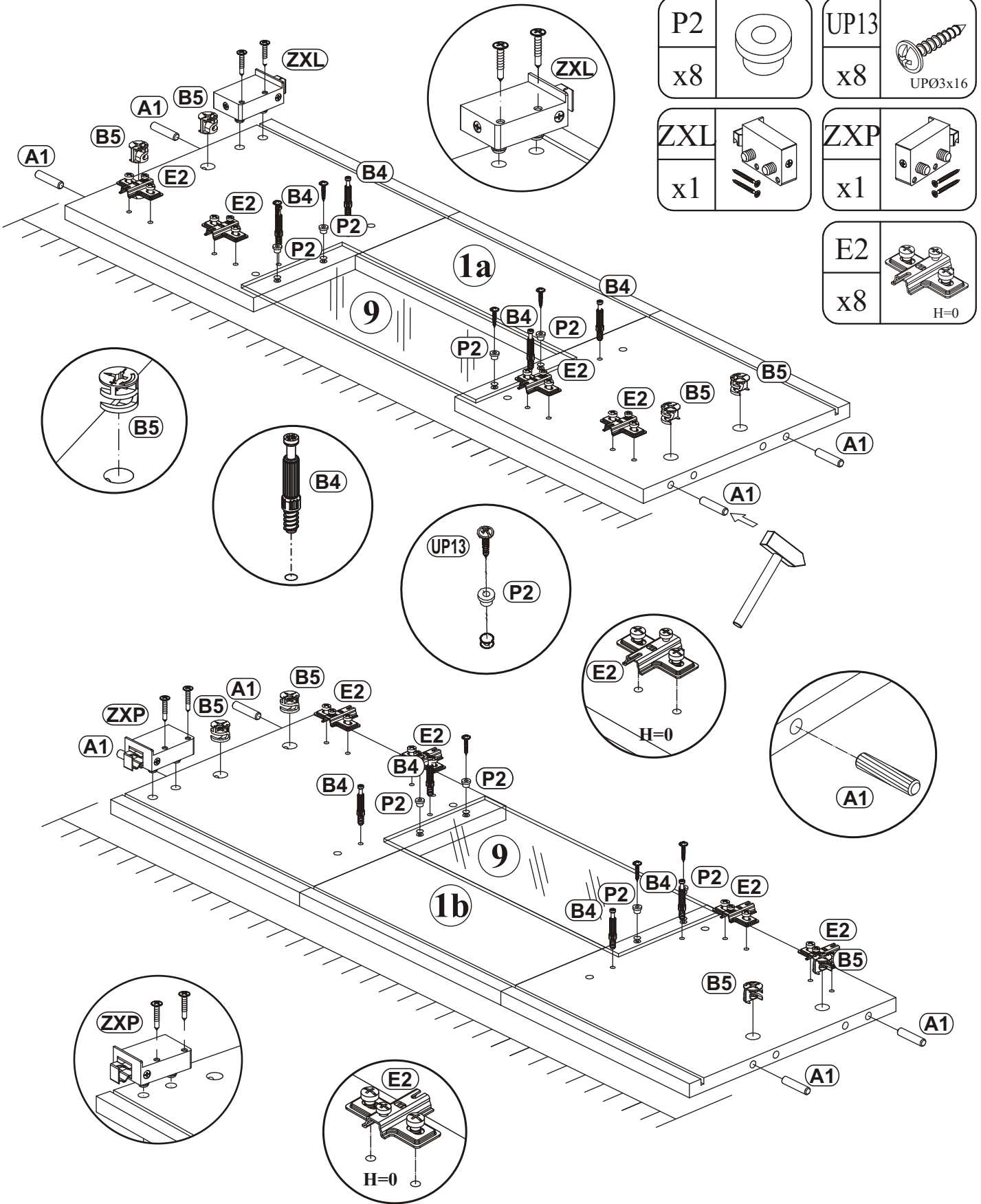
1

B4		A1		B5	
x8		x8	$\varnothing 8 \times 36$	x8	$\varnothing 15 \times 12$

P2		UP13	
x8		x8	UP $\varnothing 3 \times 16$

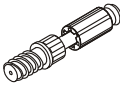
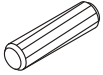

ZXL		ZXP	
x1		x1	

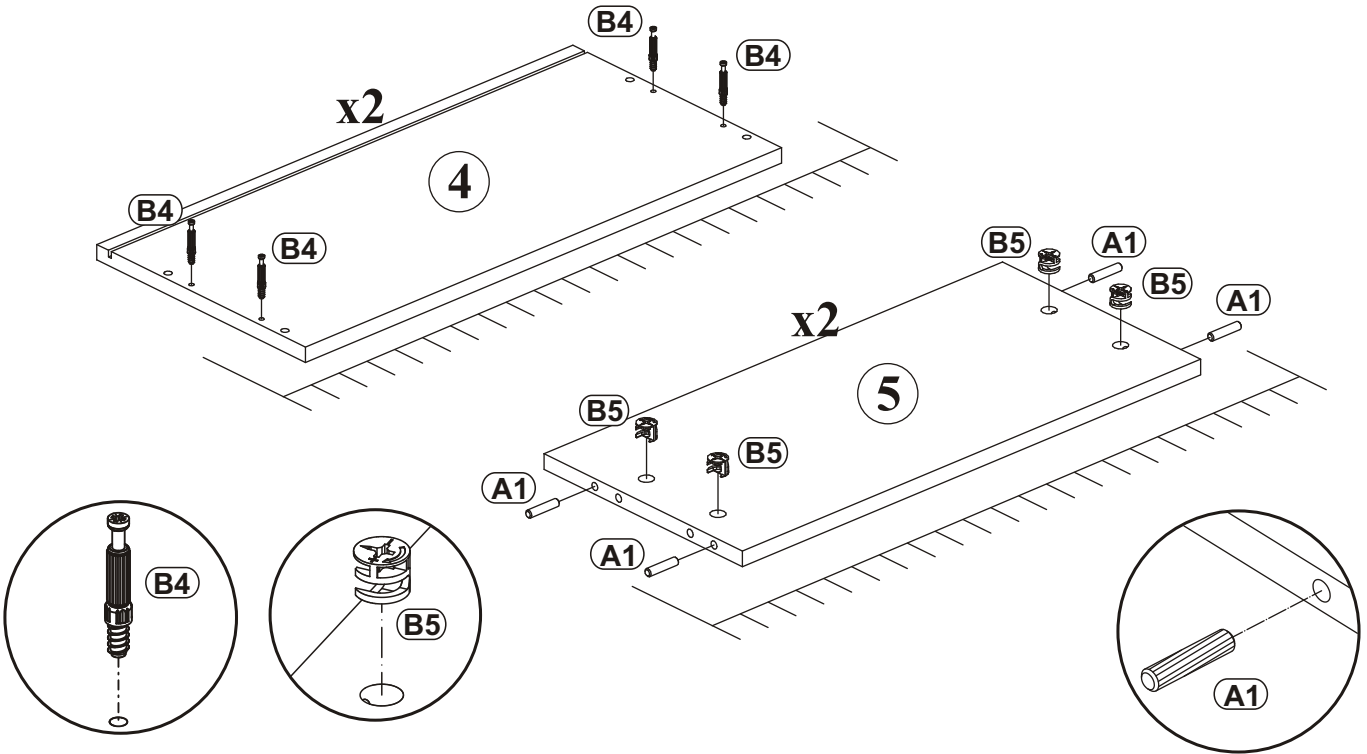
E2	
x8	H=0



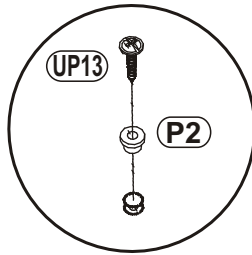
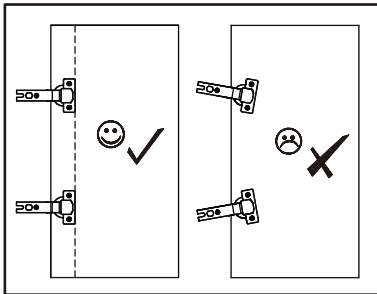
CONCRET 20_CR TYP 20



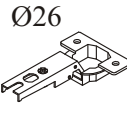

2

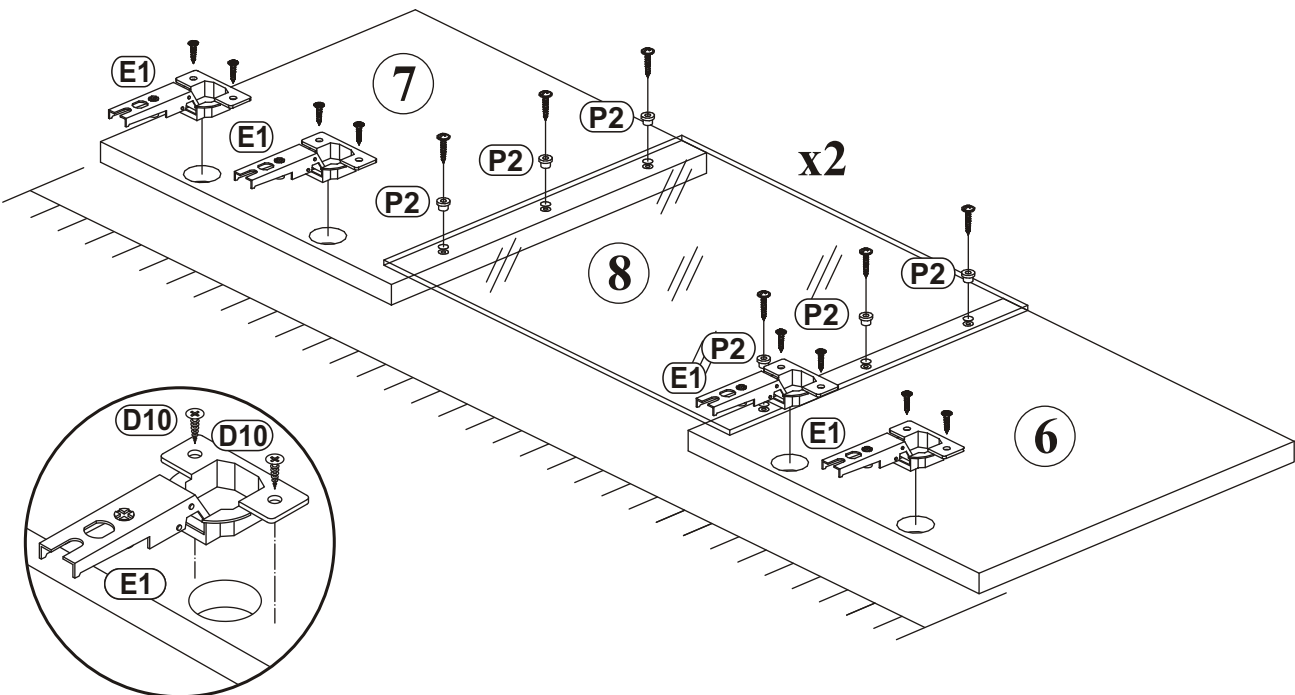
B4		A1		B5	
x8		x8	ø8x36	x8	ø15x12



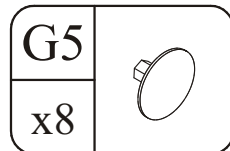
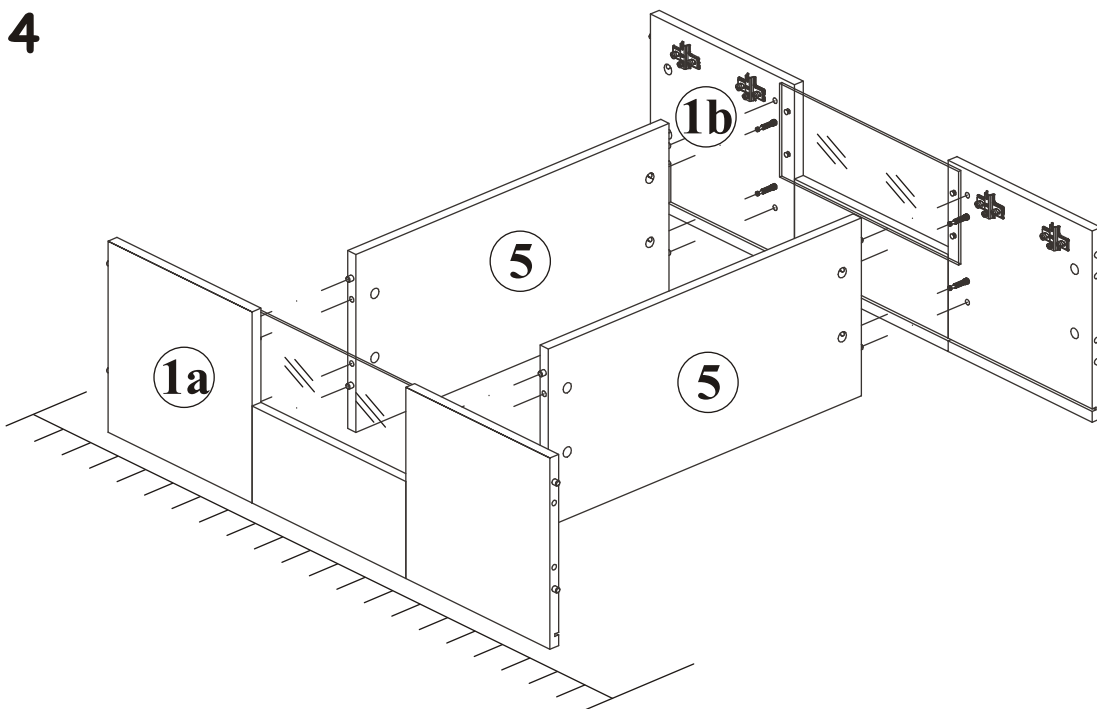
3



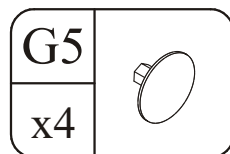
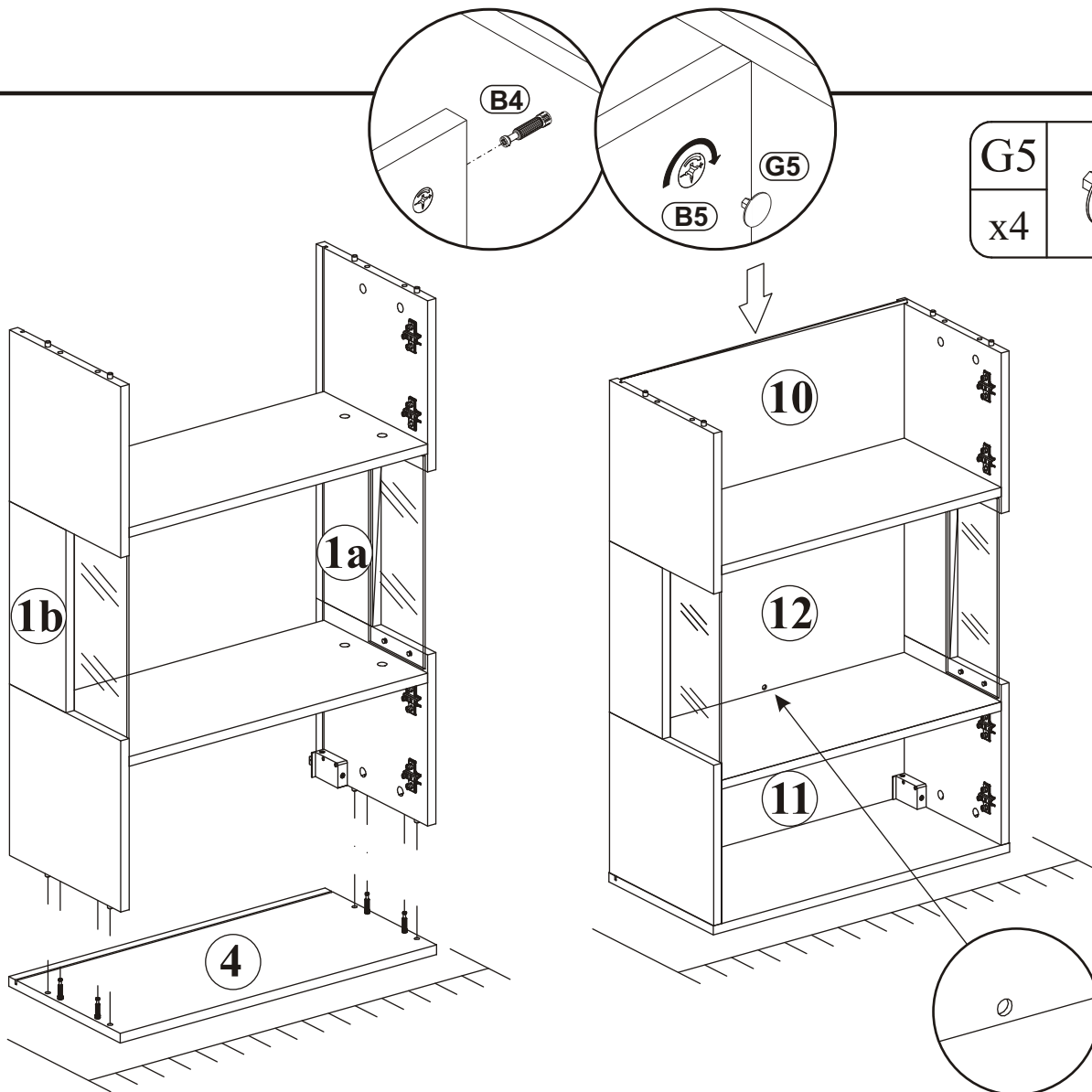
P2		UP13	
x12		x12	UPØ3x16
E1		D10	
x8	Ø26 H=0	x16	USØ3,5x13



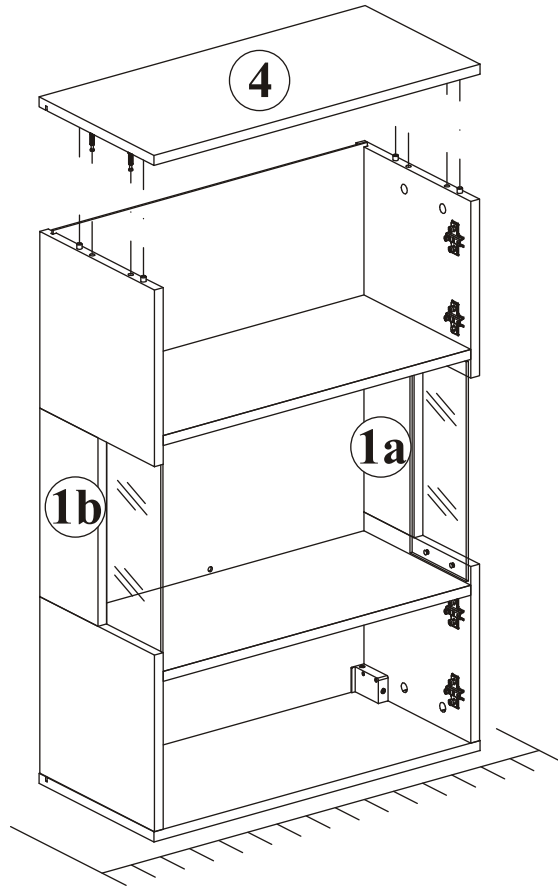
4



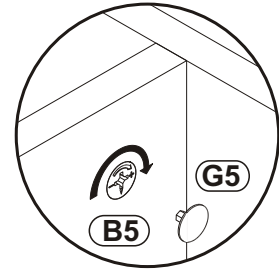
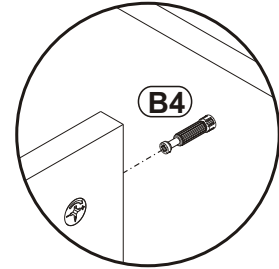
5



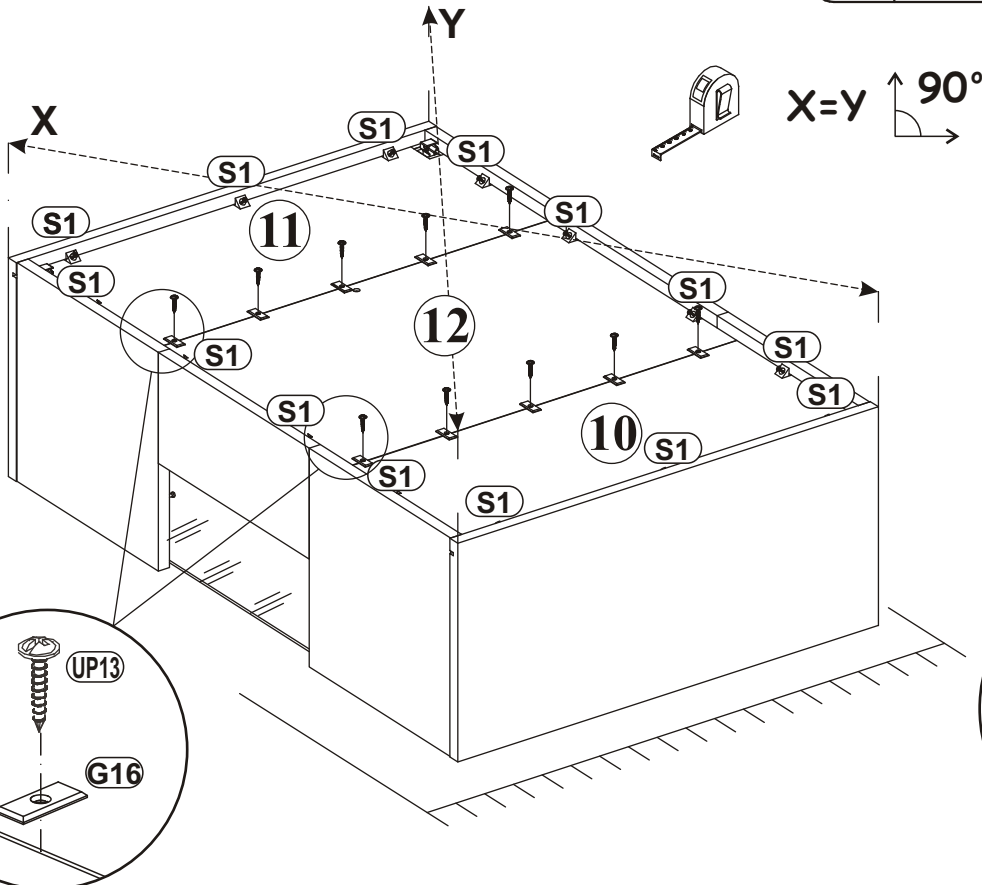
6



G5	
x4	



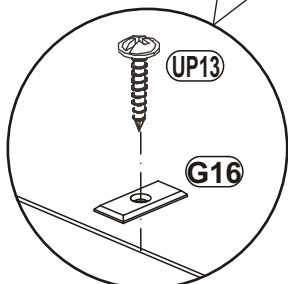
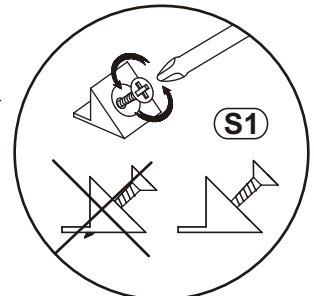
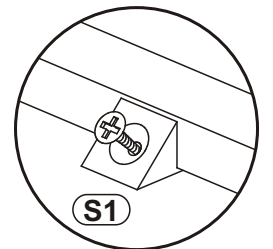
7



S1	
x14	

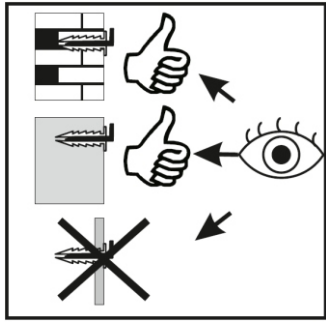
UP13	
x10	UPØ3x16

G16	
x10	

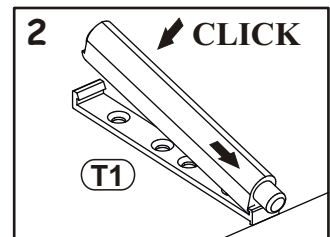
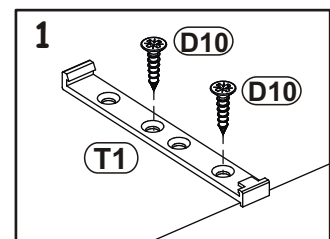
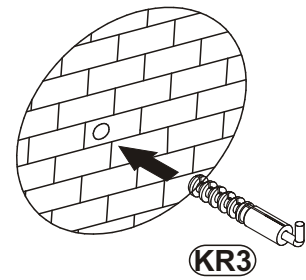
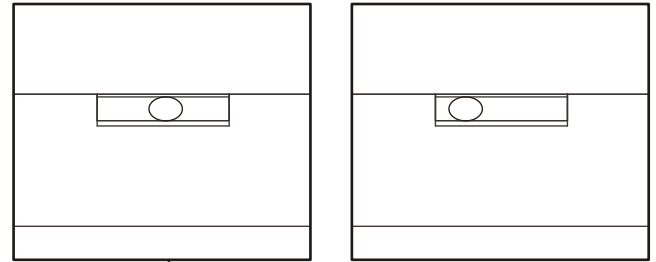
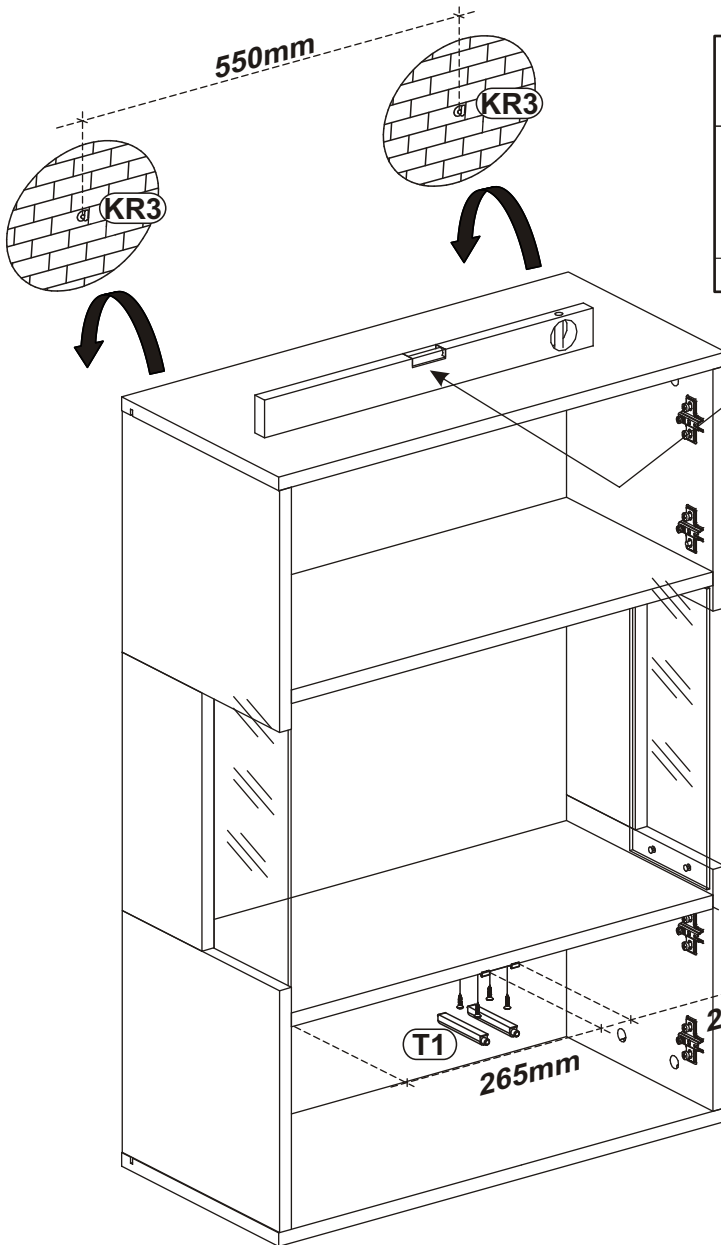
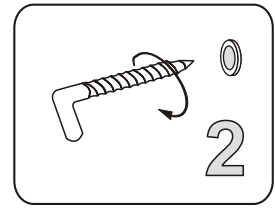
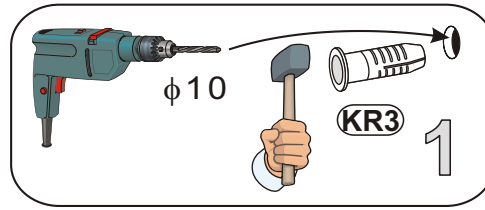


CONCRET 20_CR TYP 20

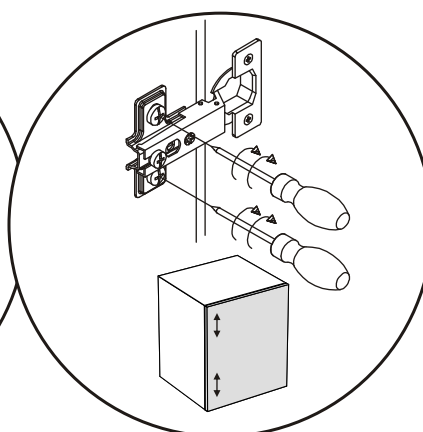
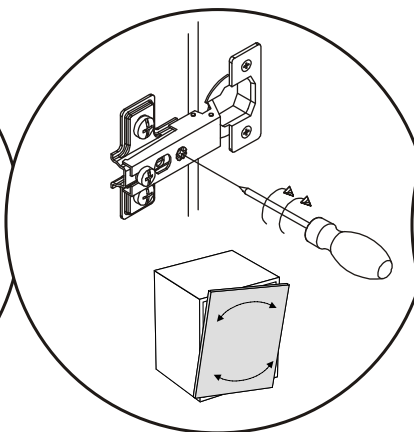
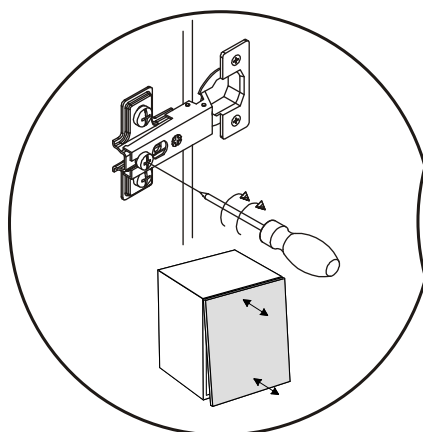
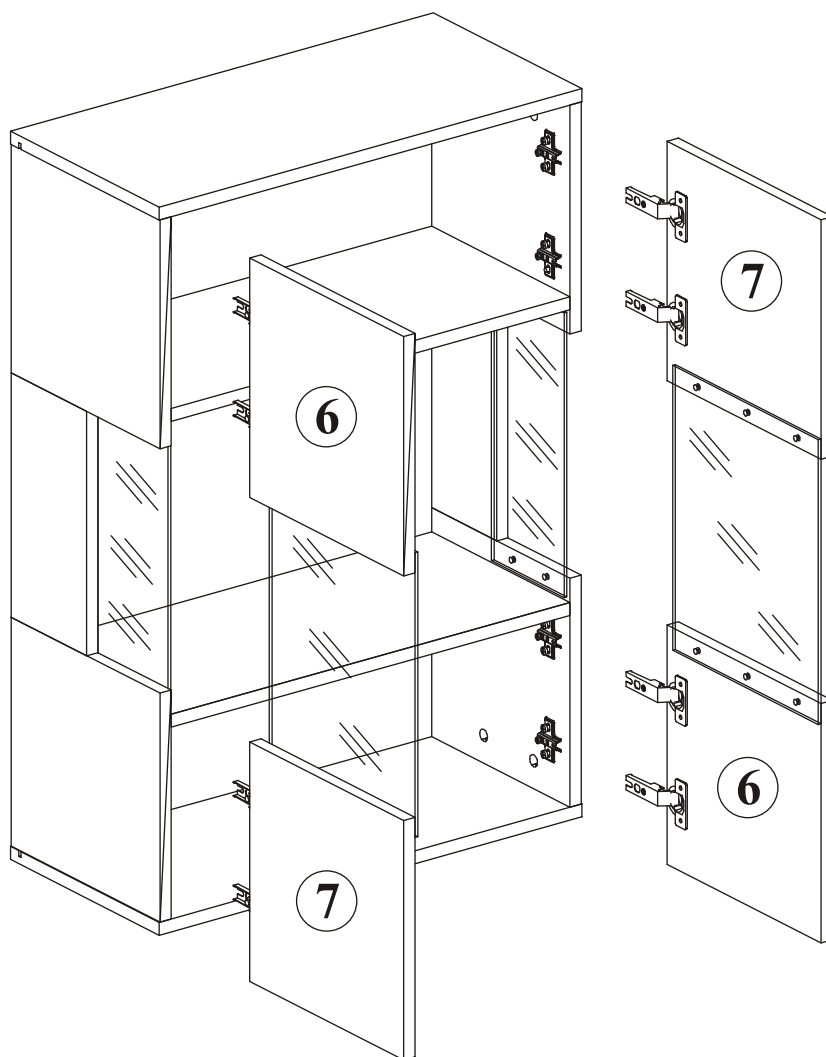
7



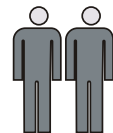
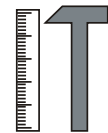
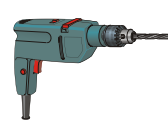
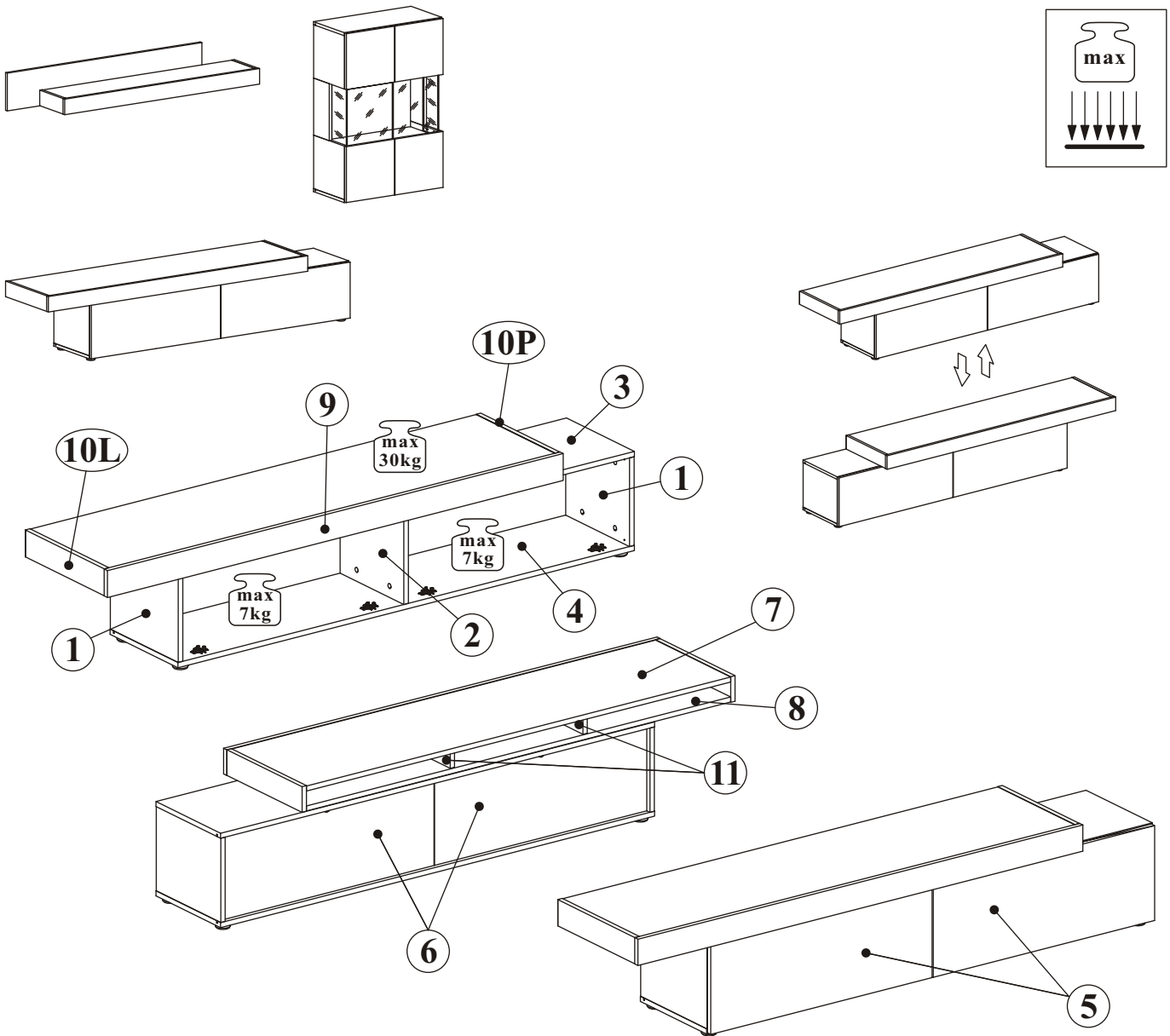
T1		D10		KR3	
x2		x4	USØ3,5x13	x2	Ø10



8



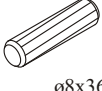
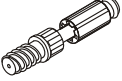



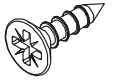
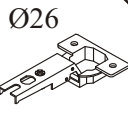
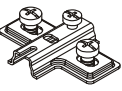
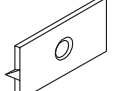


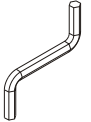
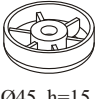
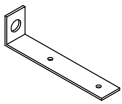
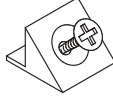

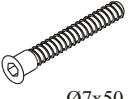
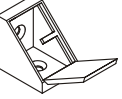


CONCRET 20_CR TYP 30

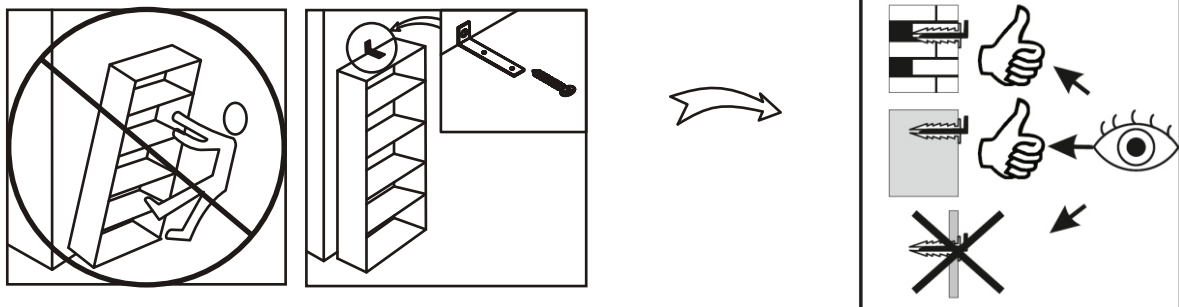
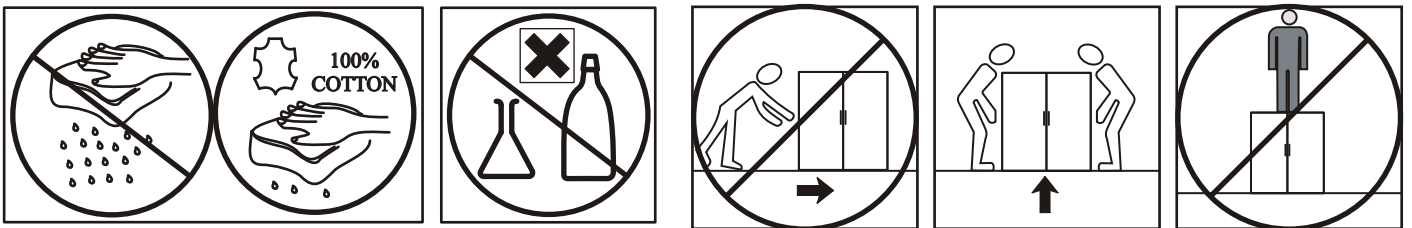
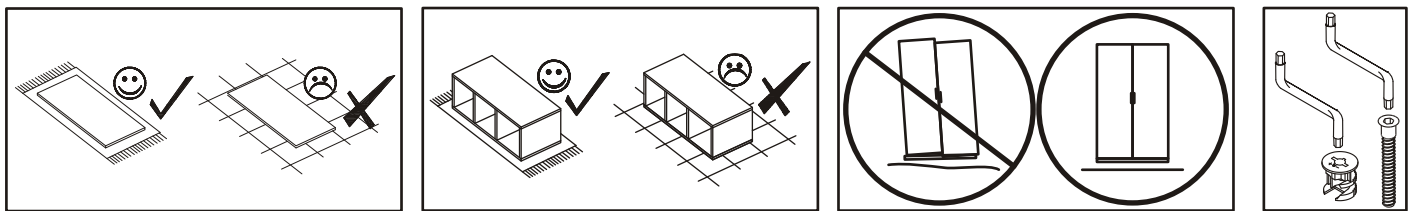
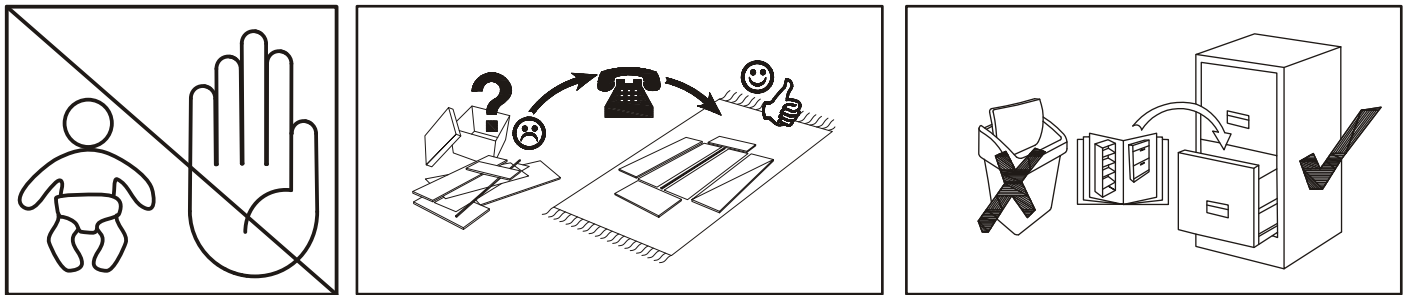
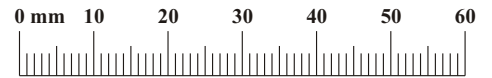


90 min

NO	Dim.			Col.-No	Qty
1	270	330	16	2	2
2	270	310	16	2	1
5	796	296	16	2	2
6	789	282	3	2	2
3	1602	330	16	1	1
4	1602	330	16	1	1
7	1566	384	16	1	1
8	1566	384	16	1	1
9	1600	82	16	1	1
10L	384	82	16	1	1
10P	384	82	16	1	1
11	374	48	16	1	2

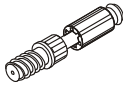
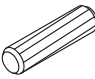

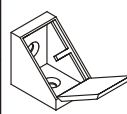

CONCRET 20_CR TYP 30

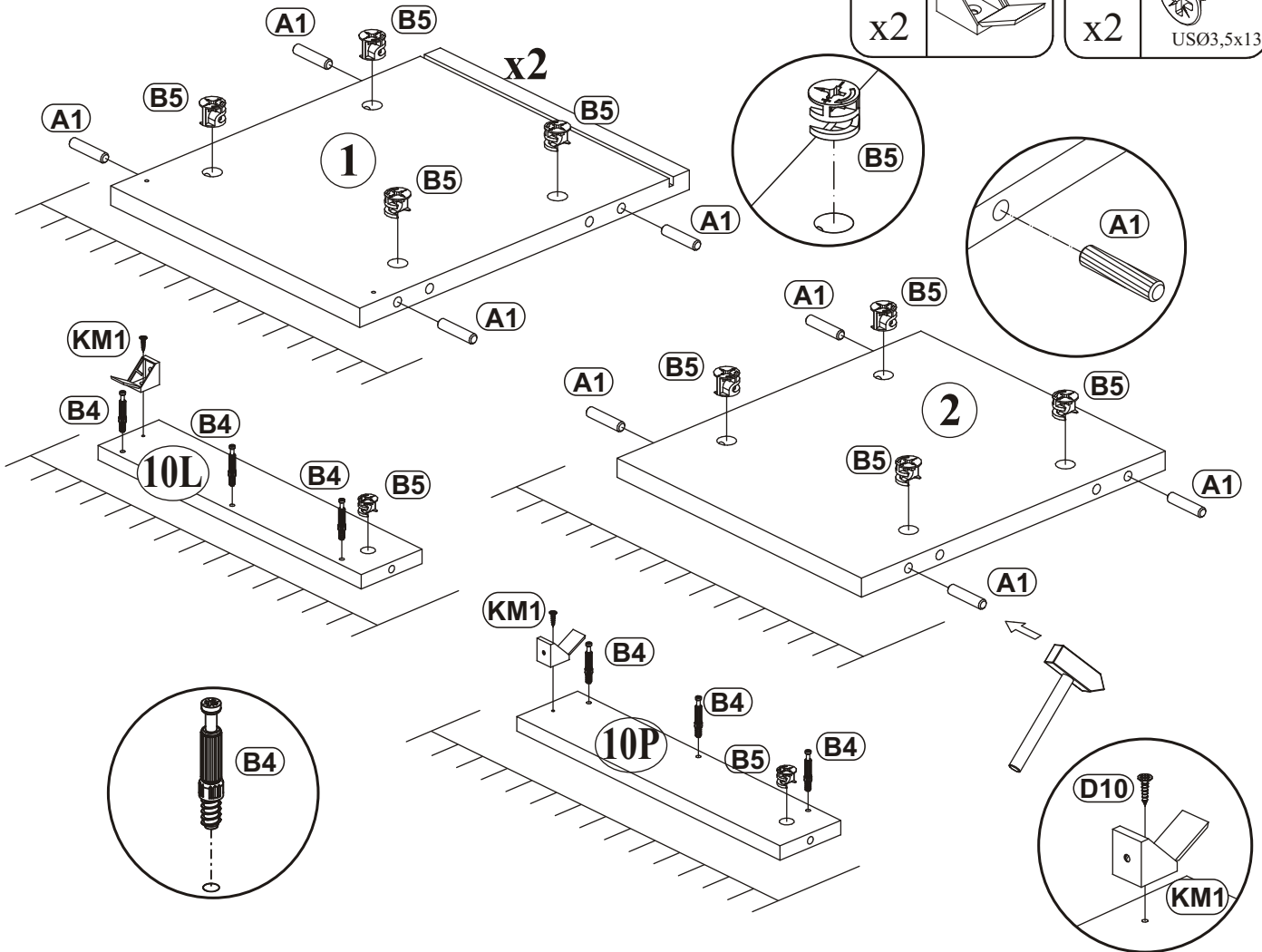
A1 x12  ø8x36	B4 x30 	B5 x30  ø15x12	G5 x30 	KR1 x2 	D10 x18  USØ3,5x13
E1 x4  H=0	E2 x4  H=0	G16 x2 	UP13 x2  UPØ3x16	T1 x2 	G2 x1 
I11 x5  Ø45, h=15	L1 x2 	S1 x12 	UP6 x8  UPØ4x30	B11 x4  Ø7x50	KM1 x2 
UP11 x5  UPØ4x20	BO1 x2 				




CONCRET 20_CR TYP 30

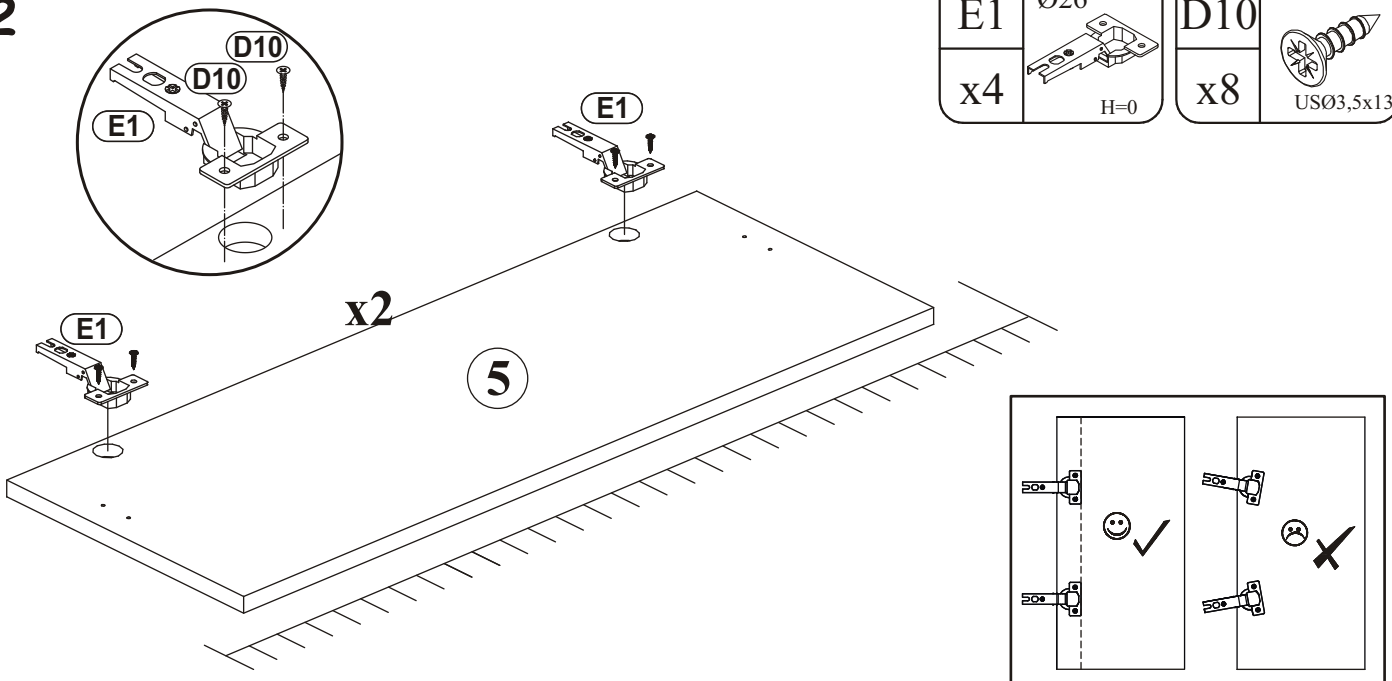
1

B4		A1		B5	
x6		x12	ø8x36	x14	ø15x12
KM1		D10			
x2		x2	US03,5x13		



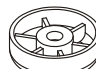
2


E1	Ø26	D10	
x4	H=0	x8	US03,5x13

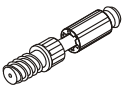


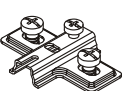
CONCRET 20_CR TYP 30

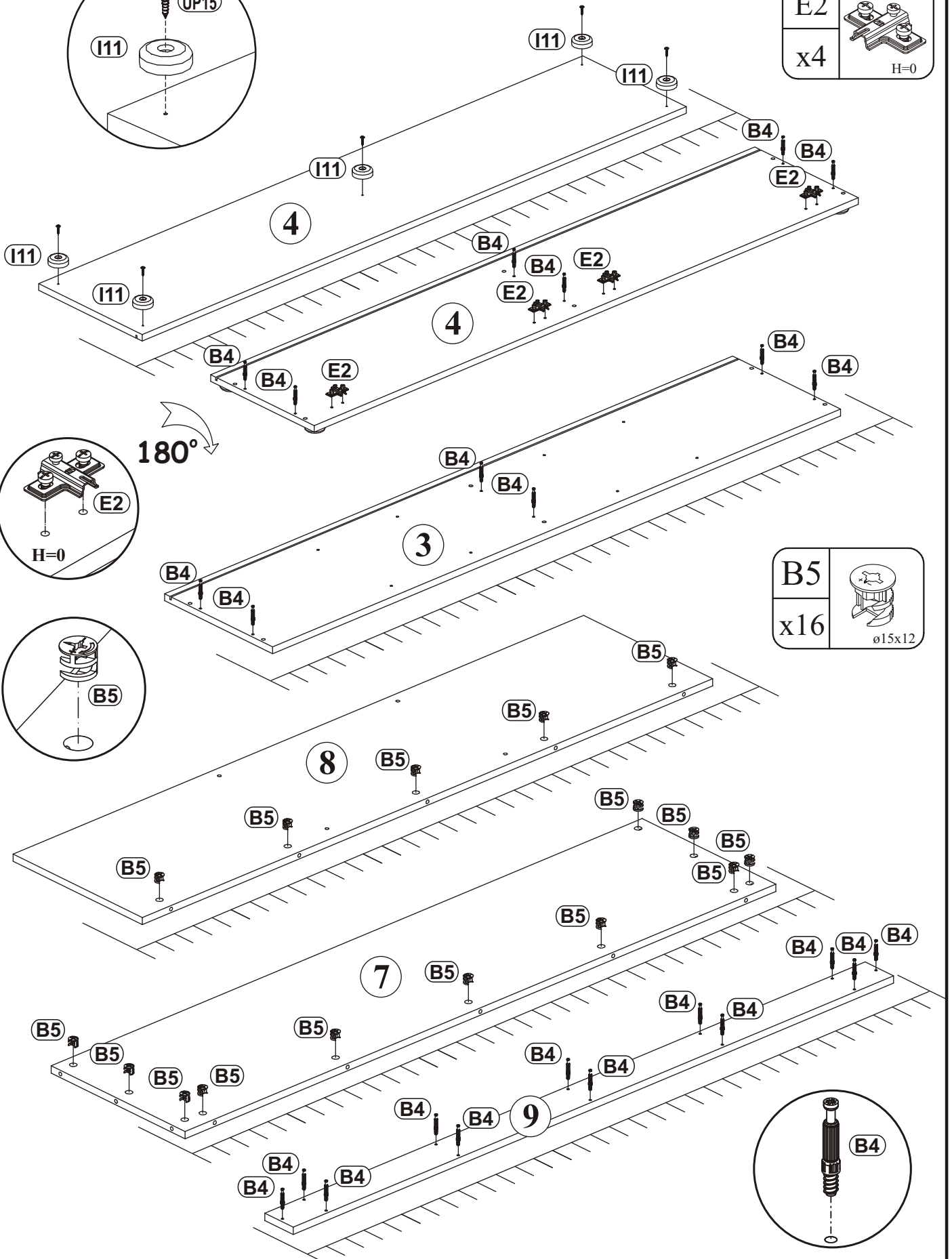
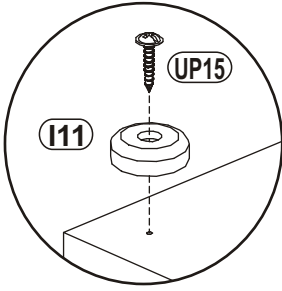
3


I11	
x5	Ø45, h=15

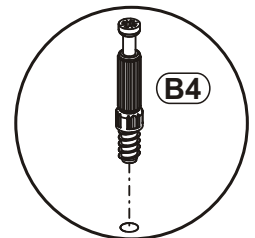
UP11	
x5	UPØ4x20

B4	
x24	


E2	
x4	H=0

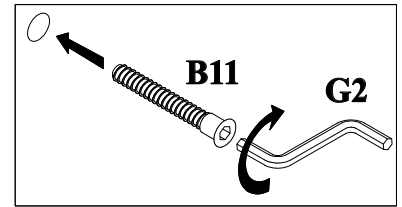
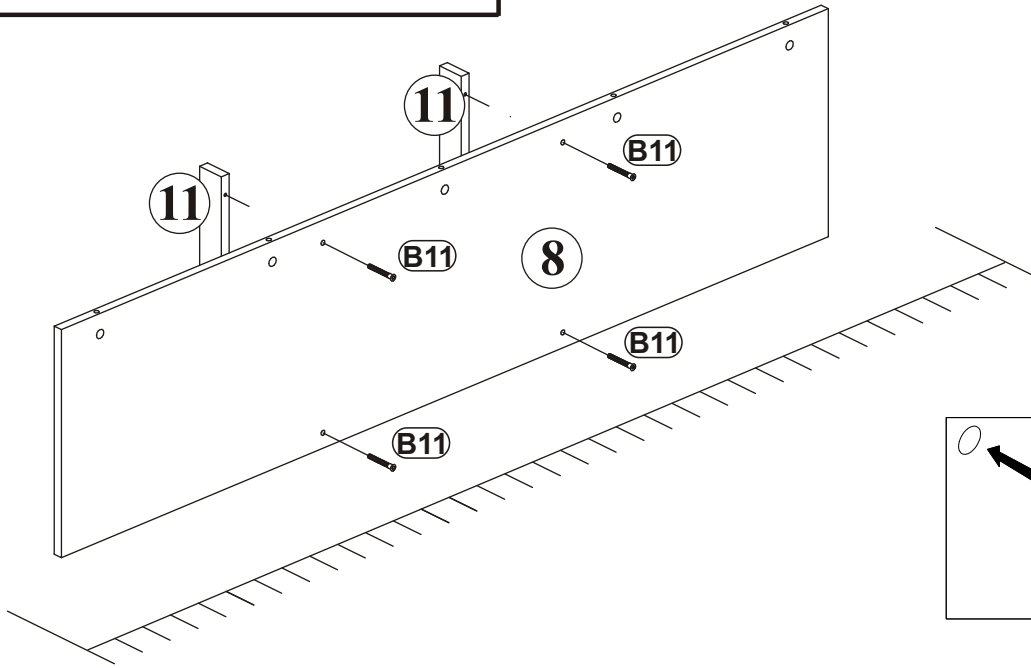


B5	
x16	Ø15x12




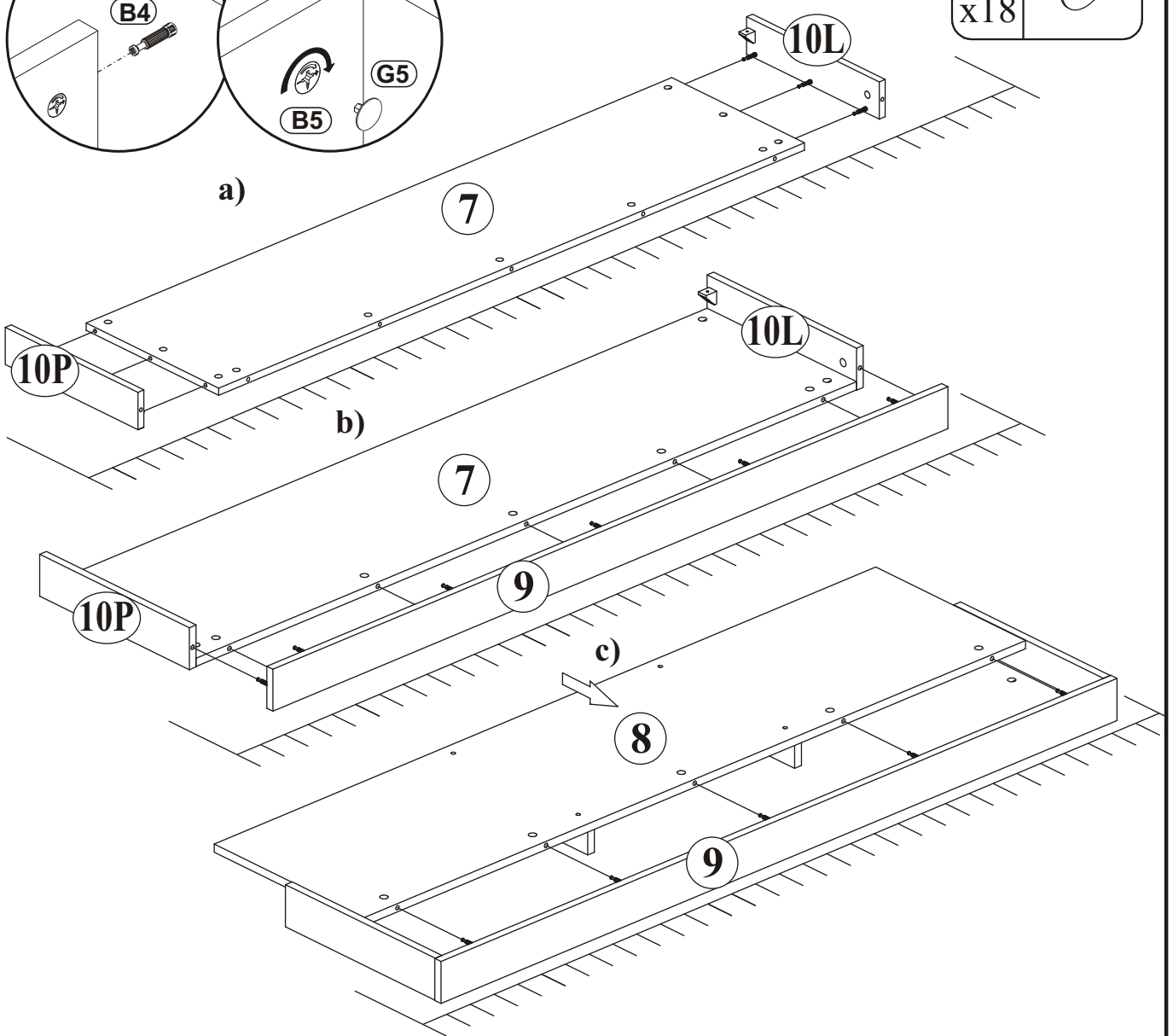
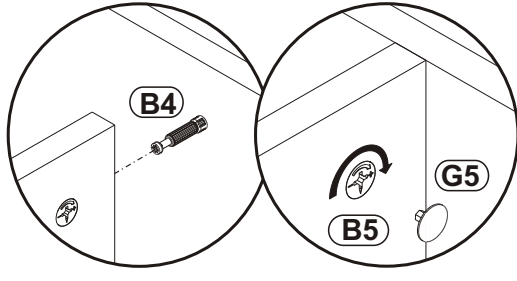
4

B11	
x4	Ø7x50

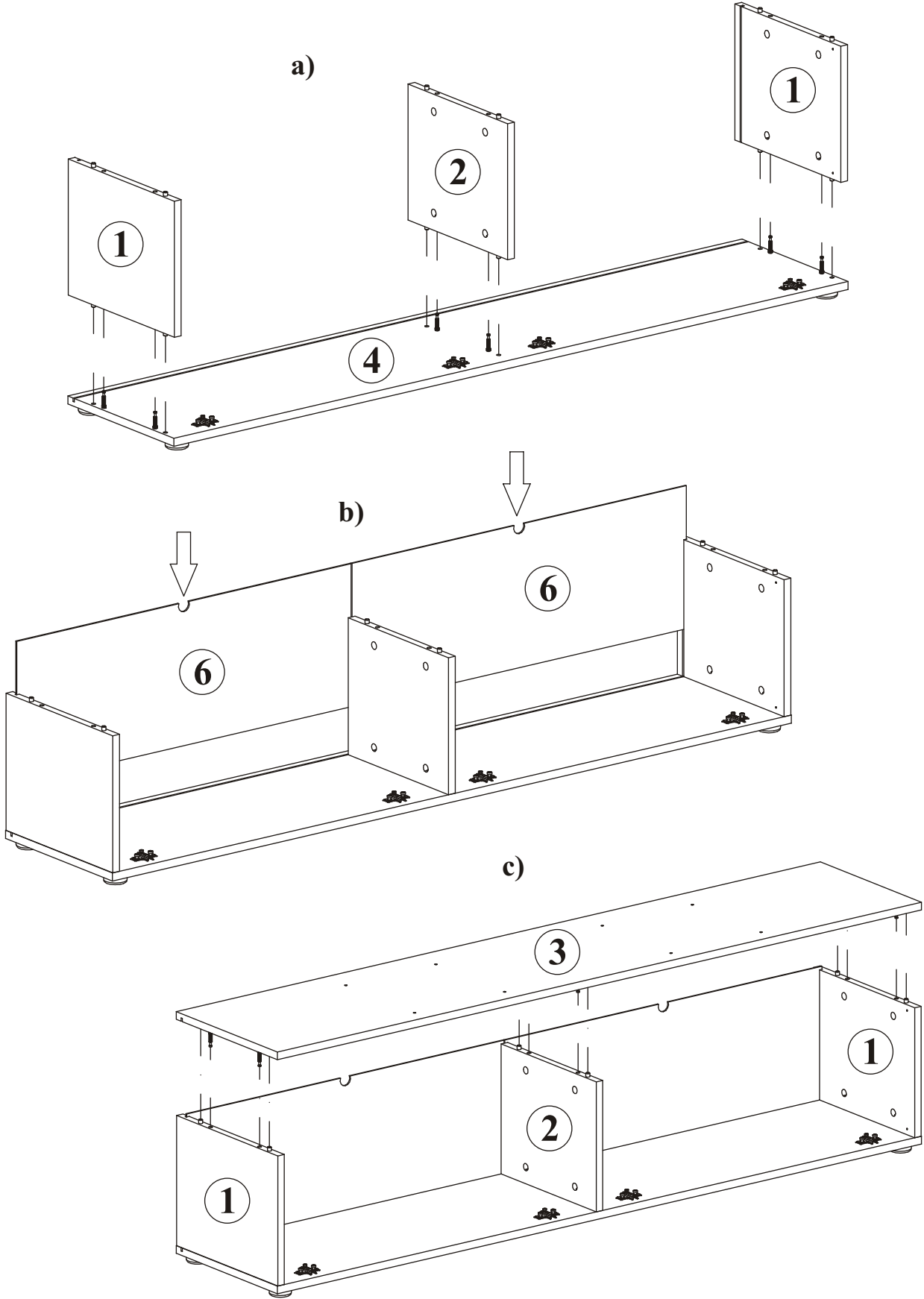
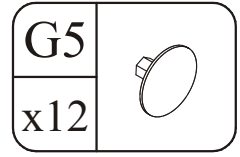
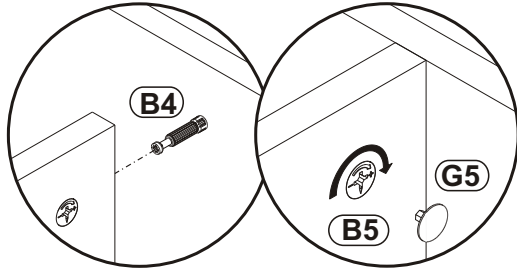


5

G5	
x18	

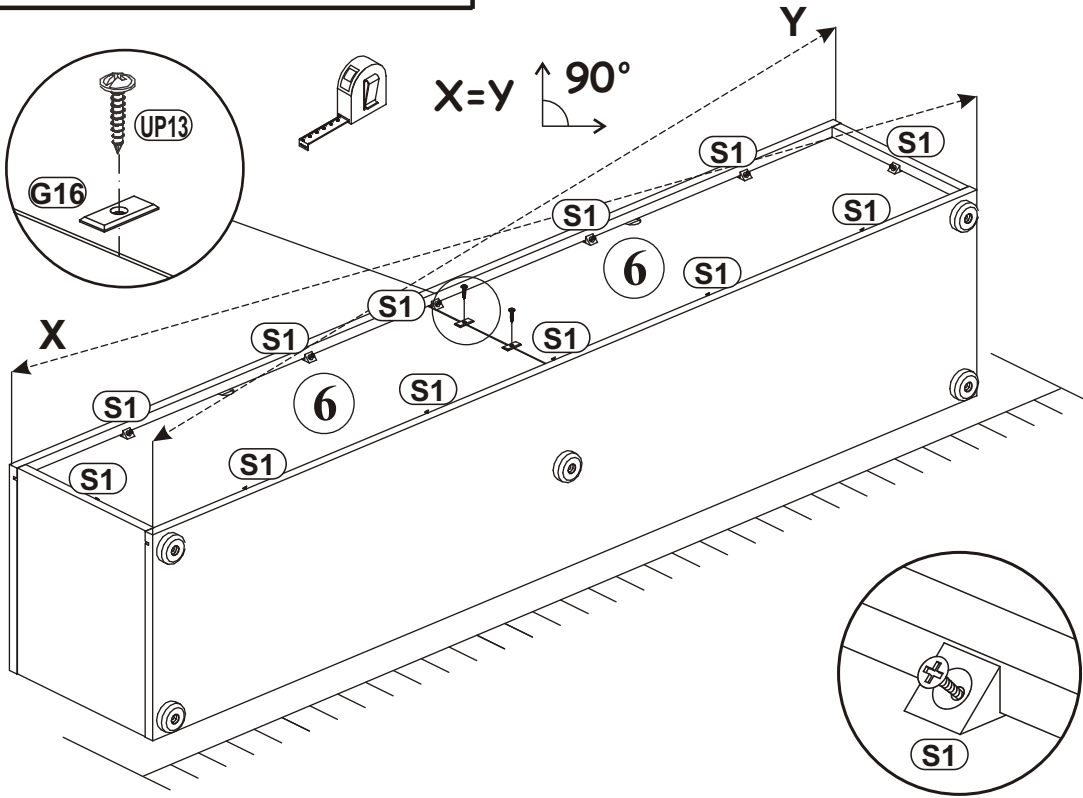


6



CONCRET 20_CR TYP 30

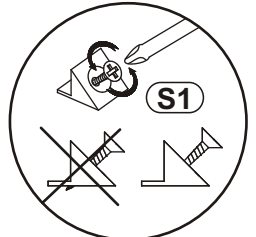
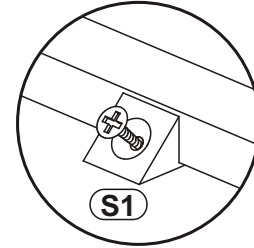
7



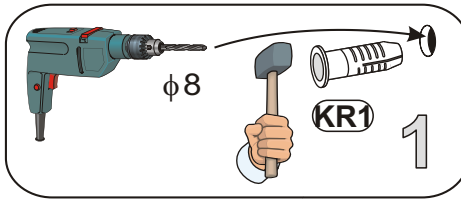
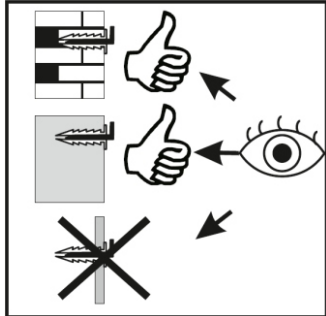
UP13	
x2	UPØ3x16

G16	
x2	

S1	
x12	



8

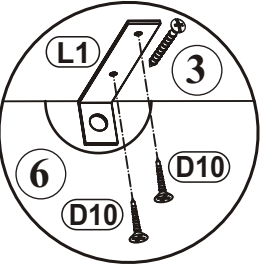
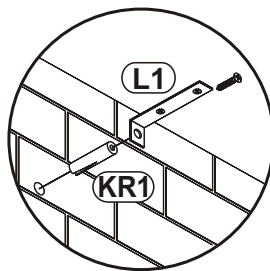
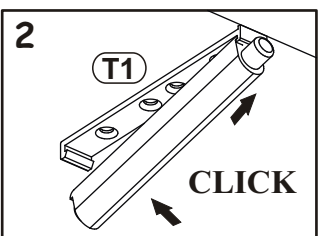
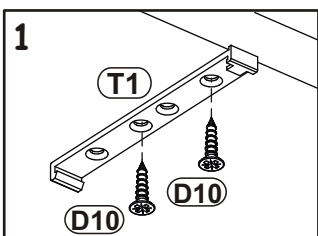
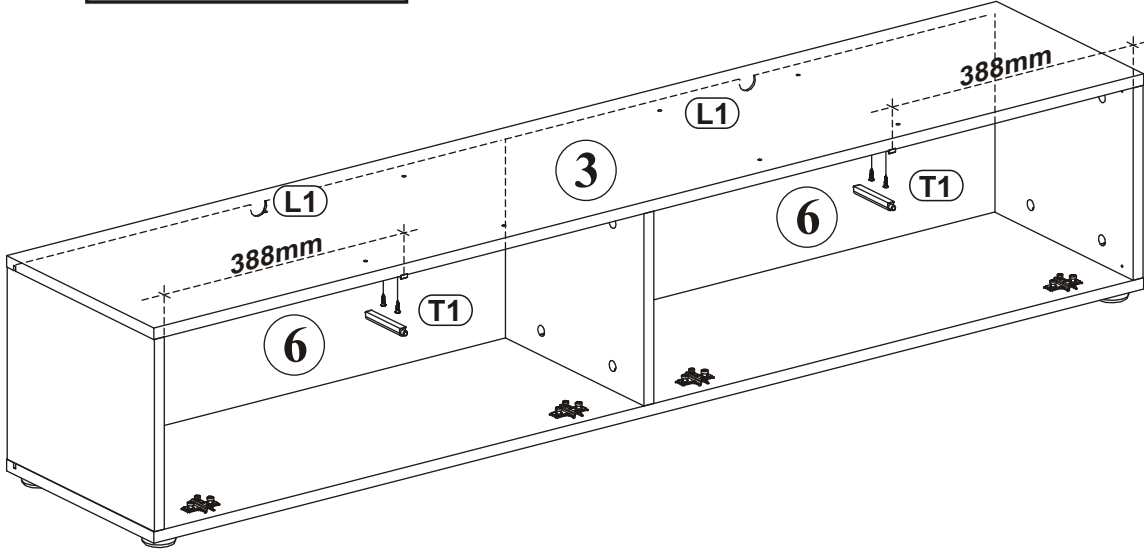


KR1	
x2	

D10	
x8	USØ3,5x13

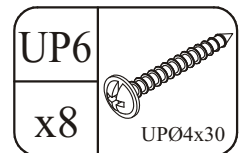
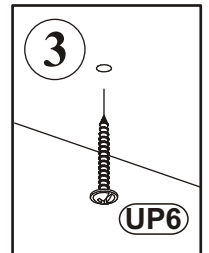
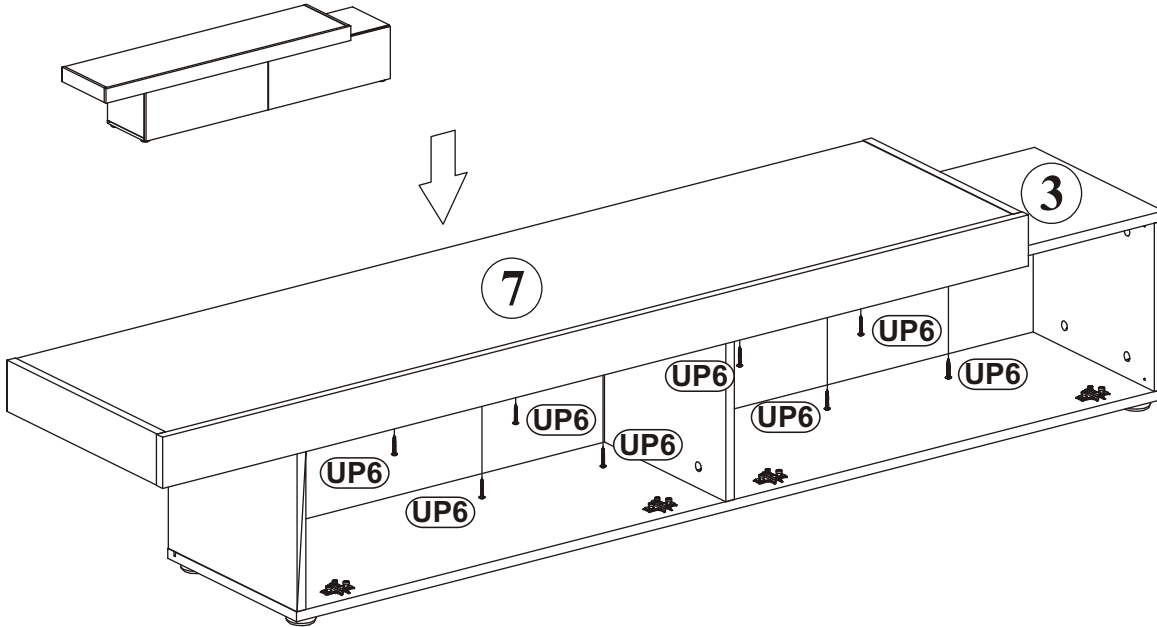
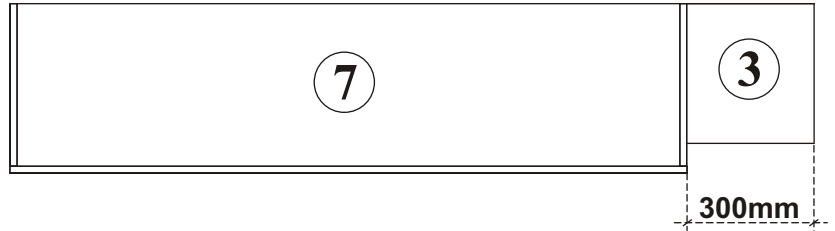
L1	
x2	

T1	
x2	

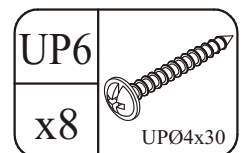
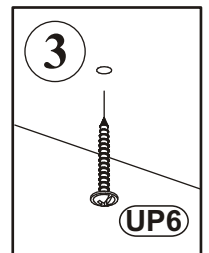
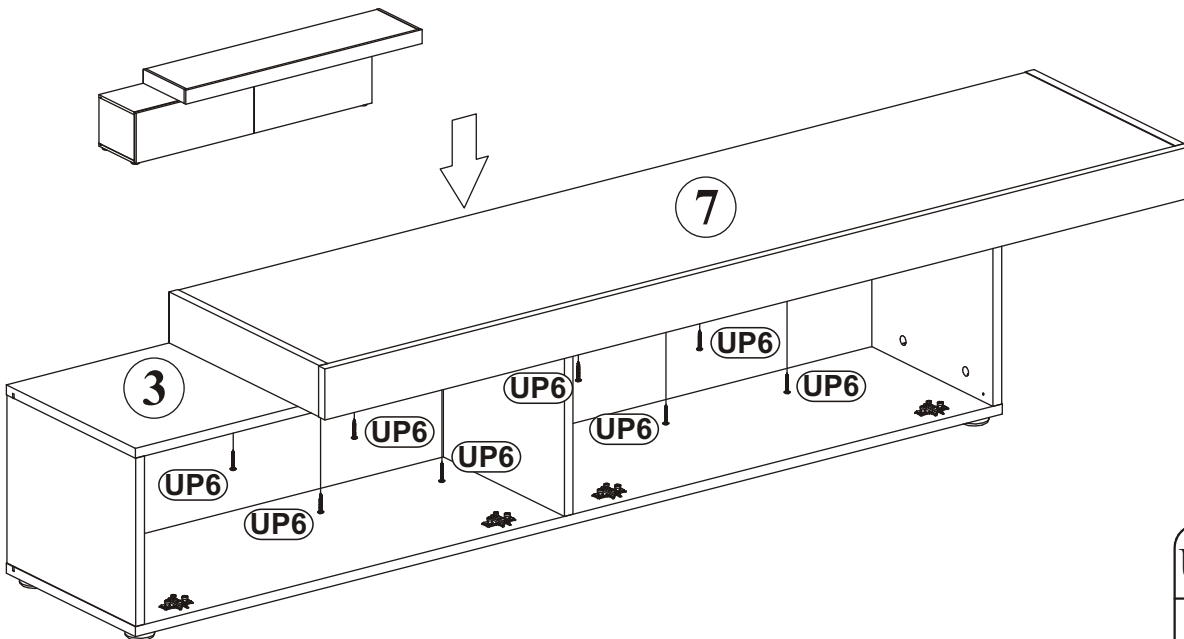


CONCRET 20_CR TYP 30

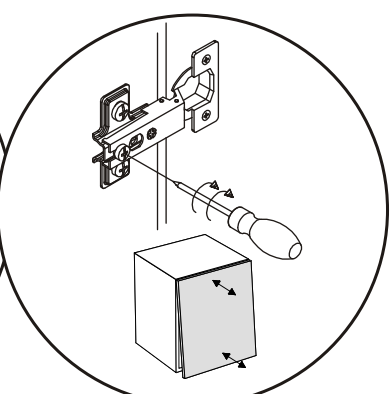
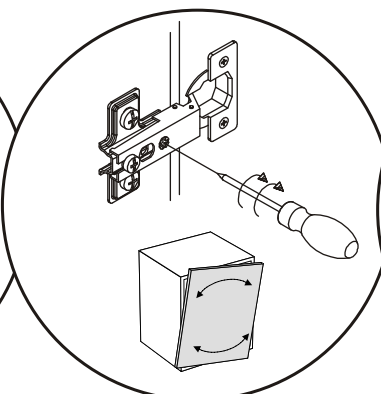
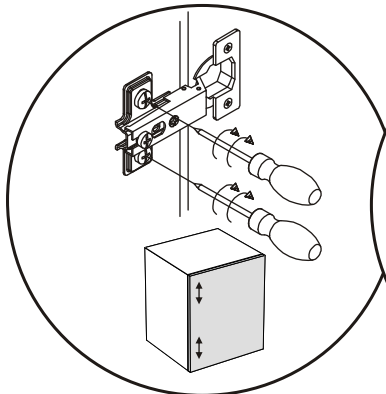
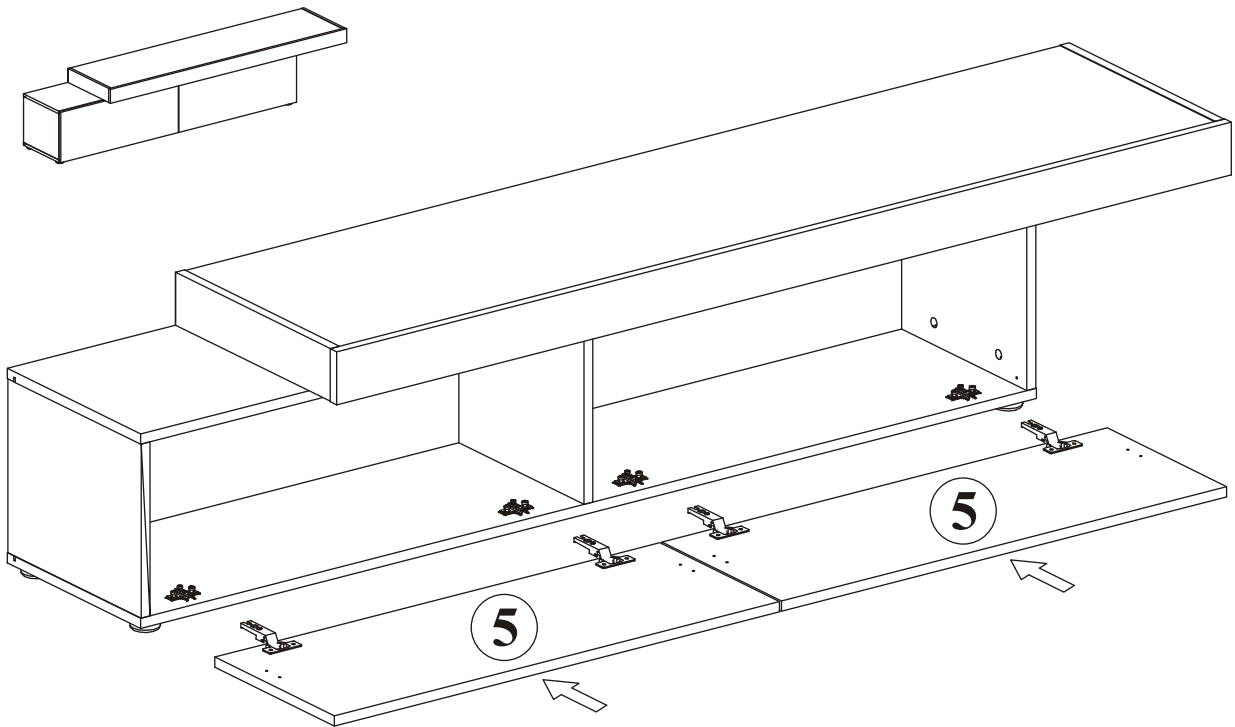
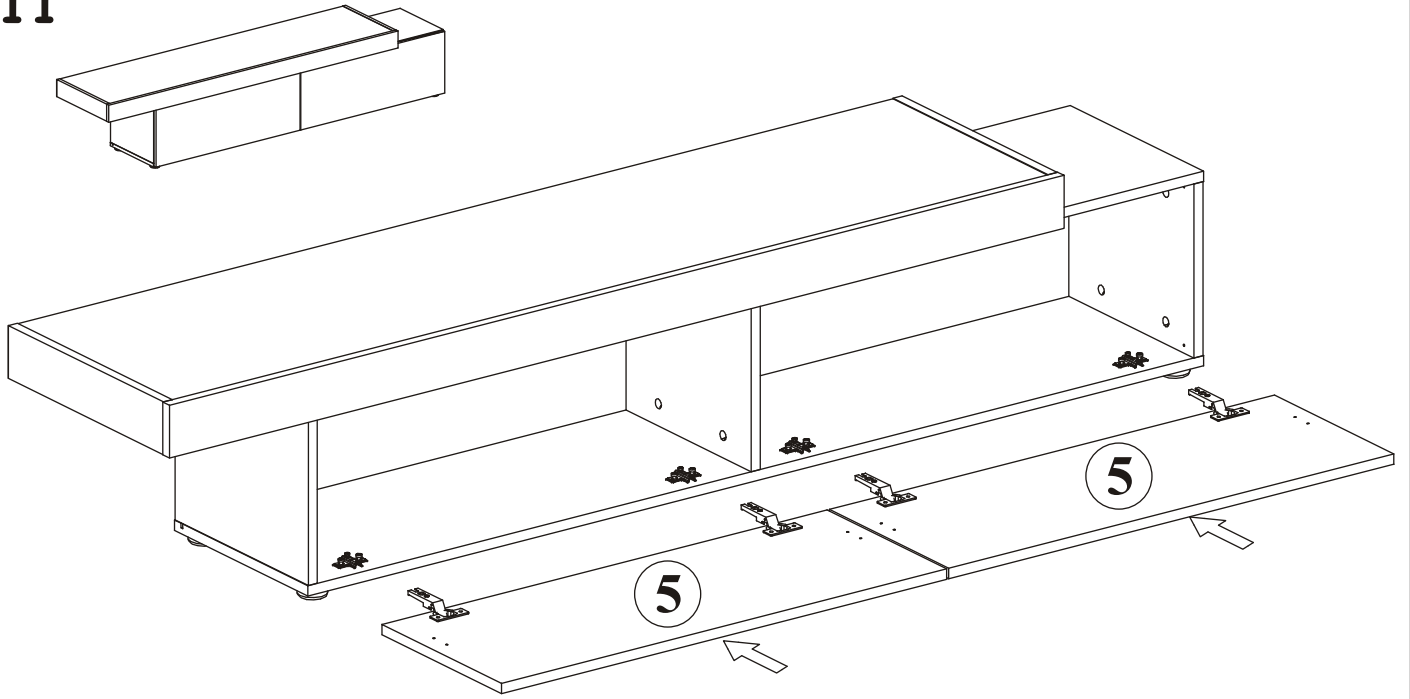
9



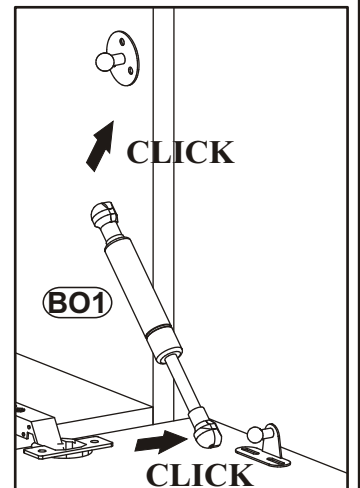
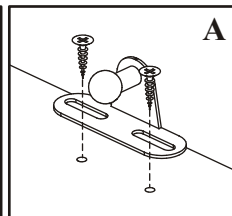
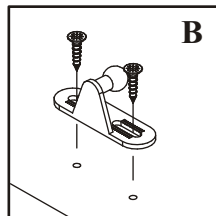
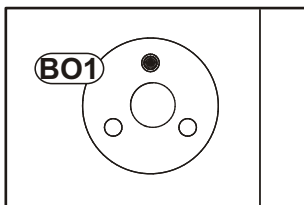
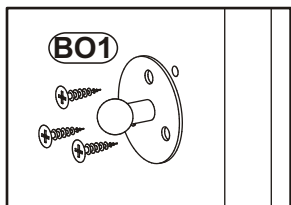
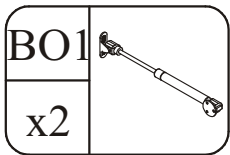
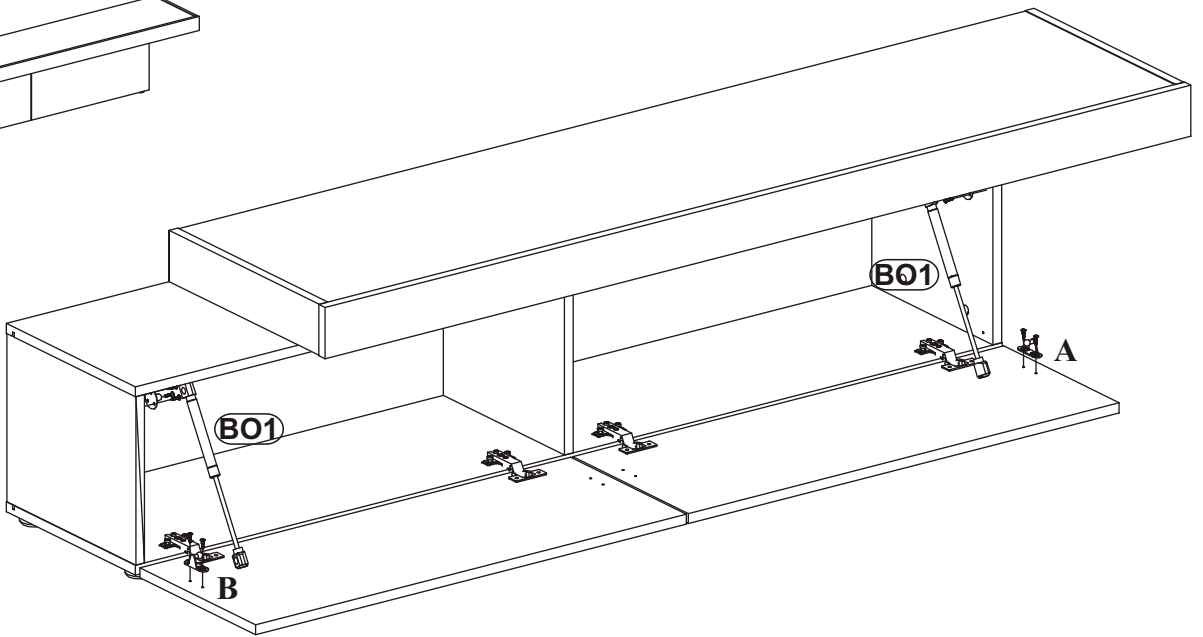
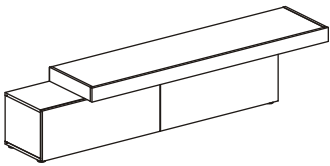
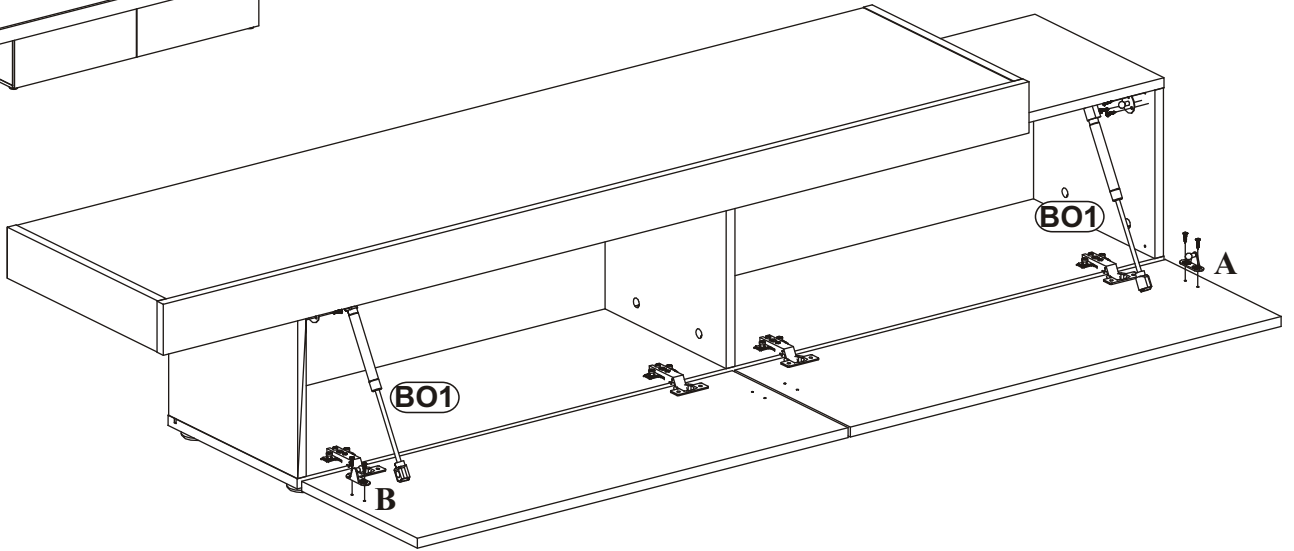
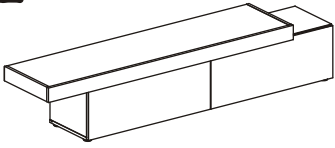
10



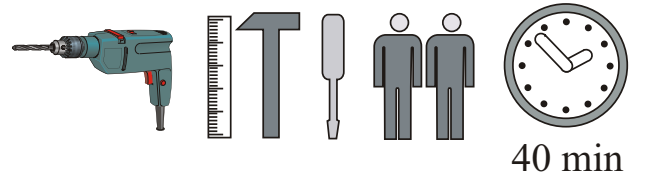
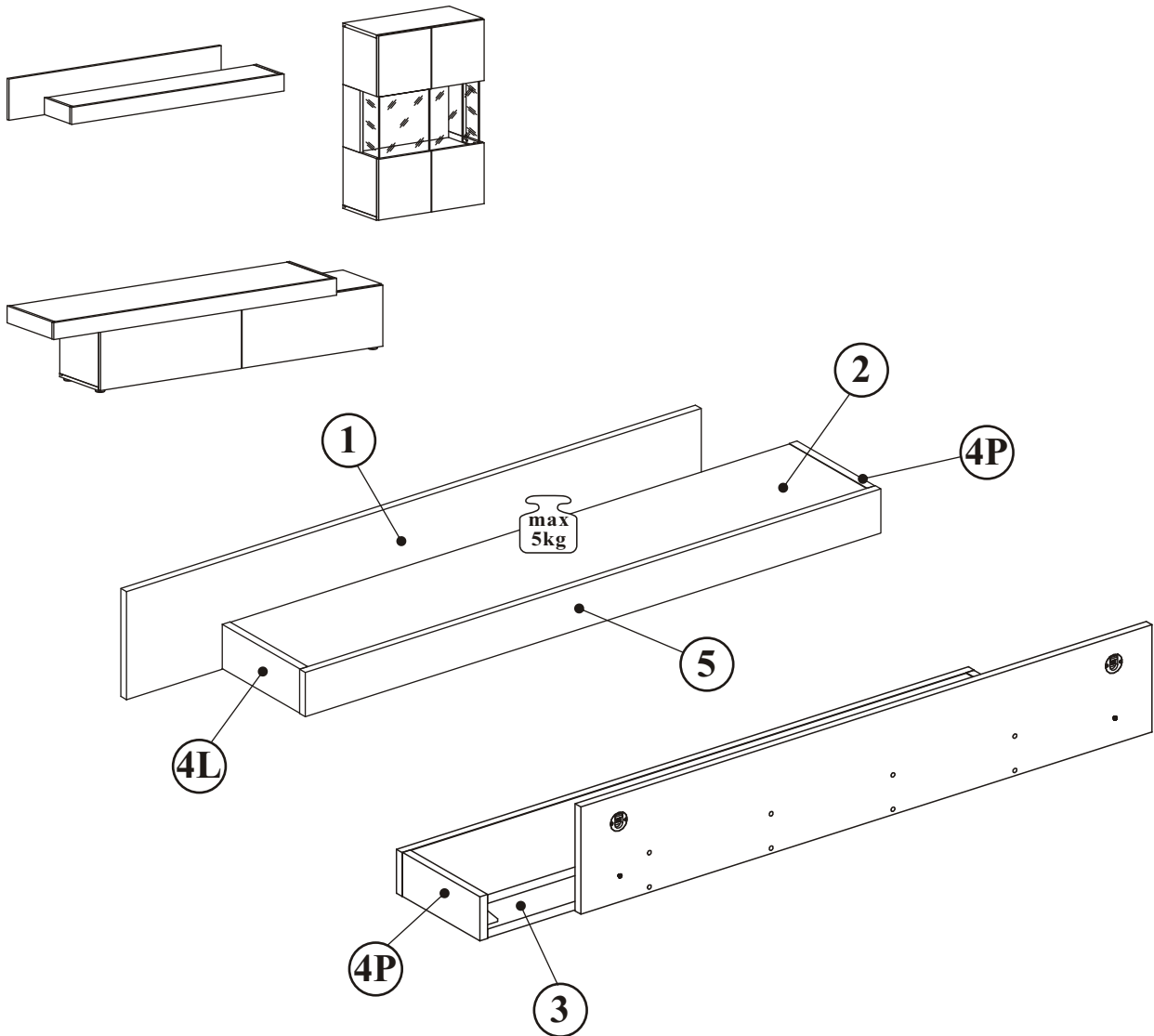
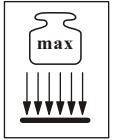
11



12



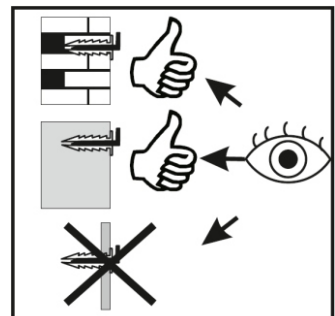
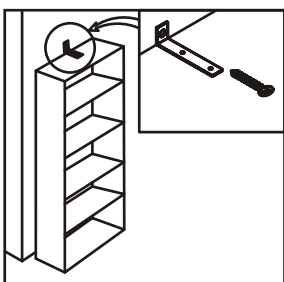
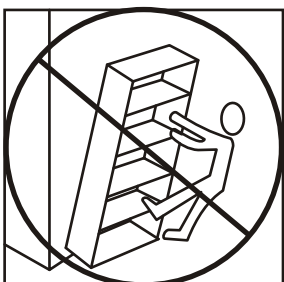
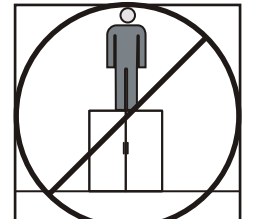
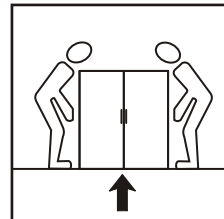
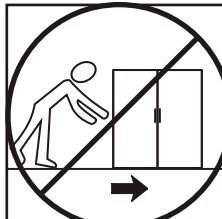
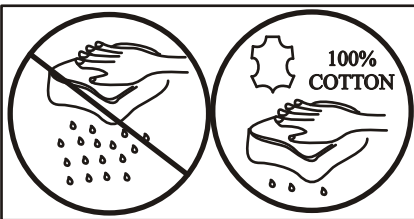
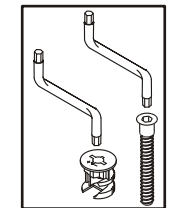
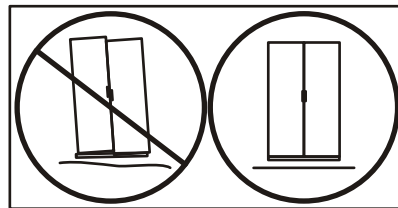
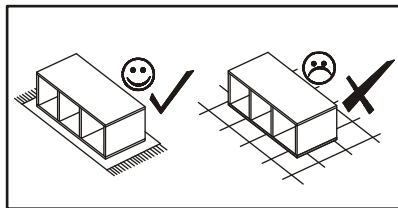
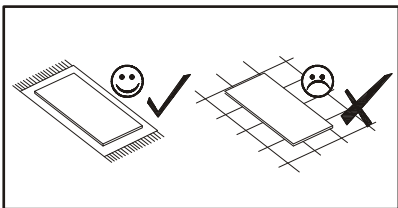
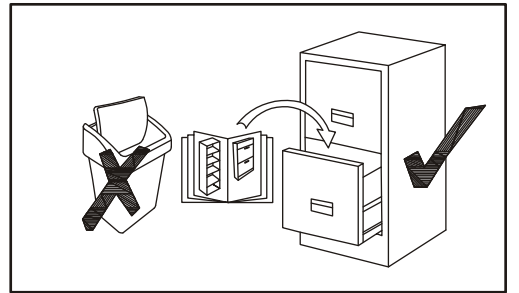
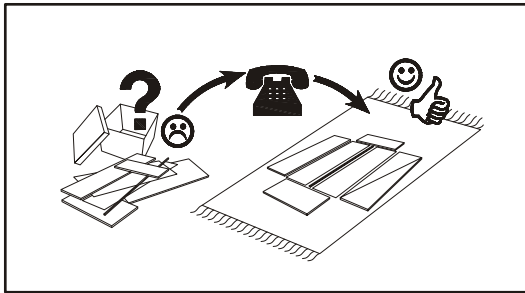
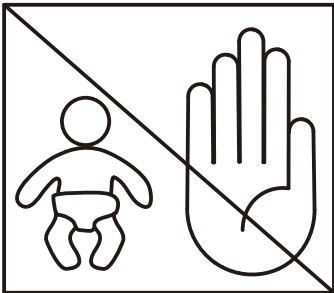
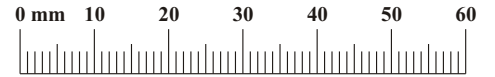
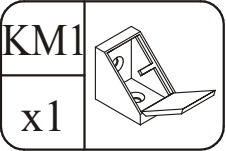
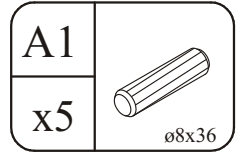
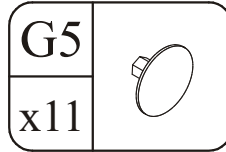
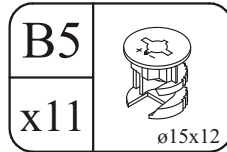
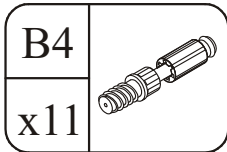
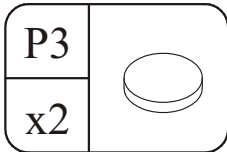
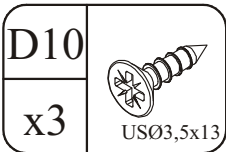
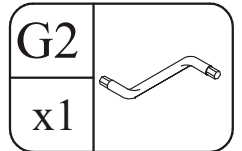
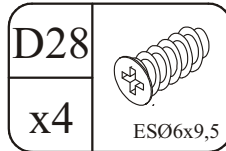
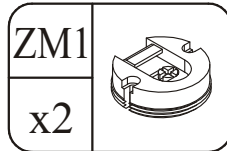
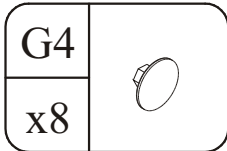
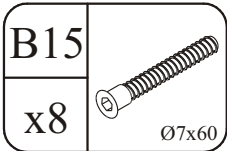
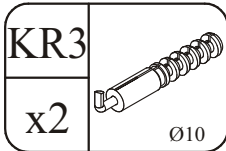
CONCRET 20_CR TYP 70



40 min

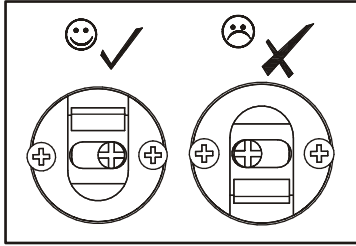
NO	Dim.			Col-No	Qty
1	1200	200	16	1	1
2	1168	218	16	1	1
3	1168	218	16	1	1
4L	218	82	16	1	1
4P	218	82	16	1	1
5	1202	82	19	1	1

CONCRET 20_CR TYP 70



CONCRET 20_CR TYP 70

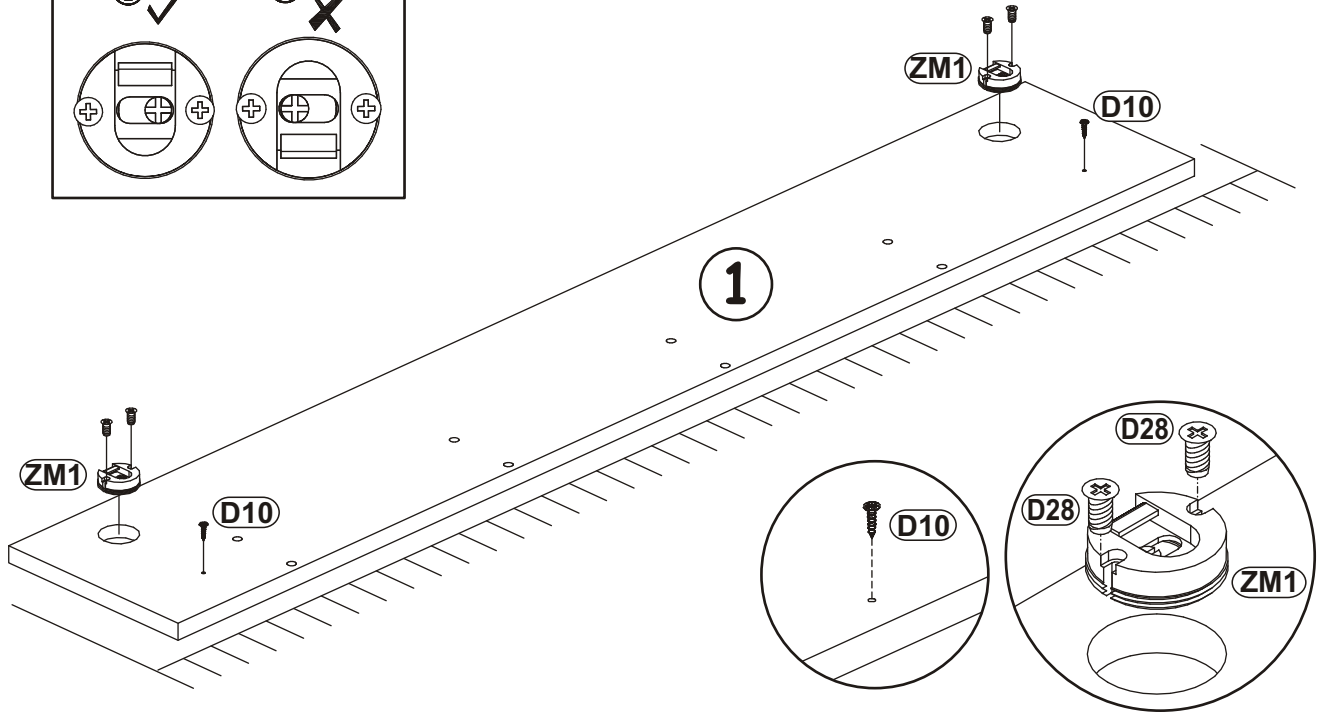
1



D10	
x2	USØ3,5x13

ZM1	
x2	

D28	
x4	ESØ6x9,5



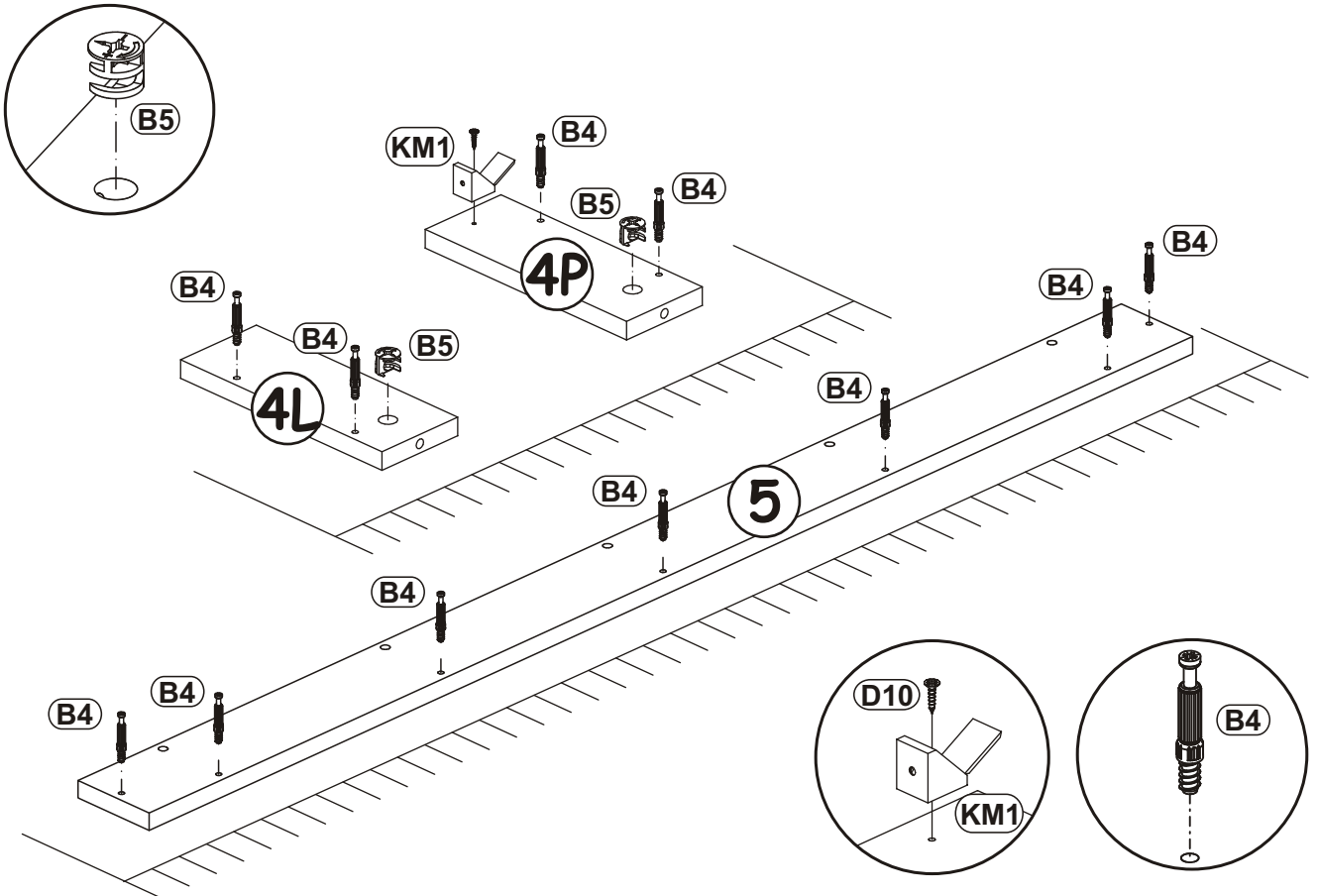
2

B4	
x11	

B5	
x2	ø15x12

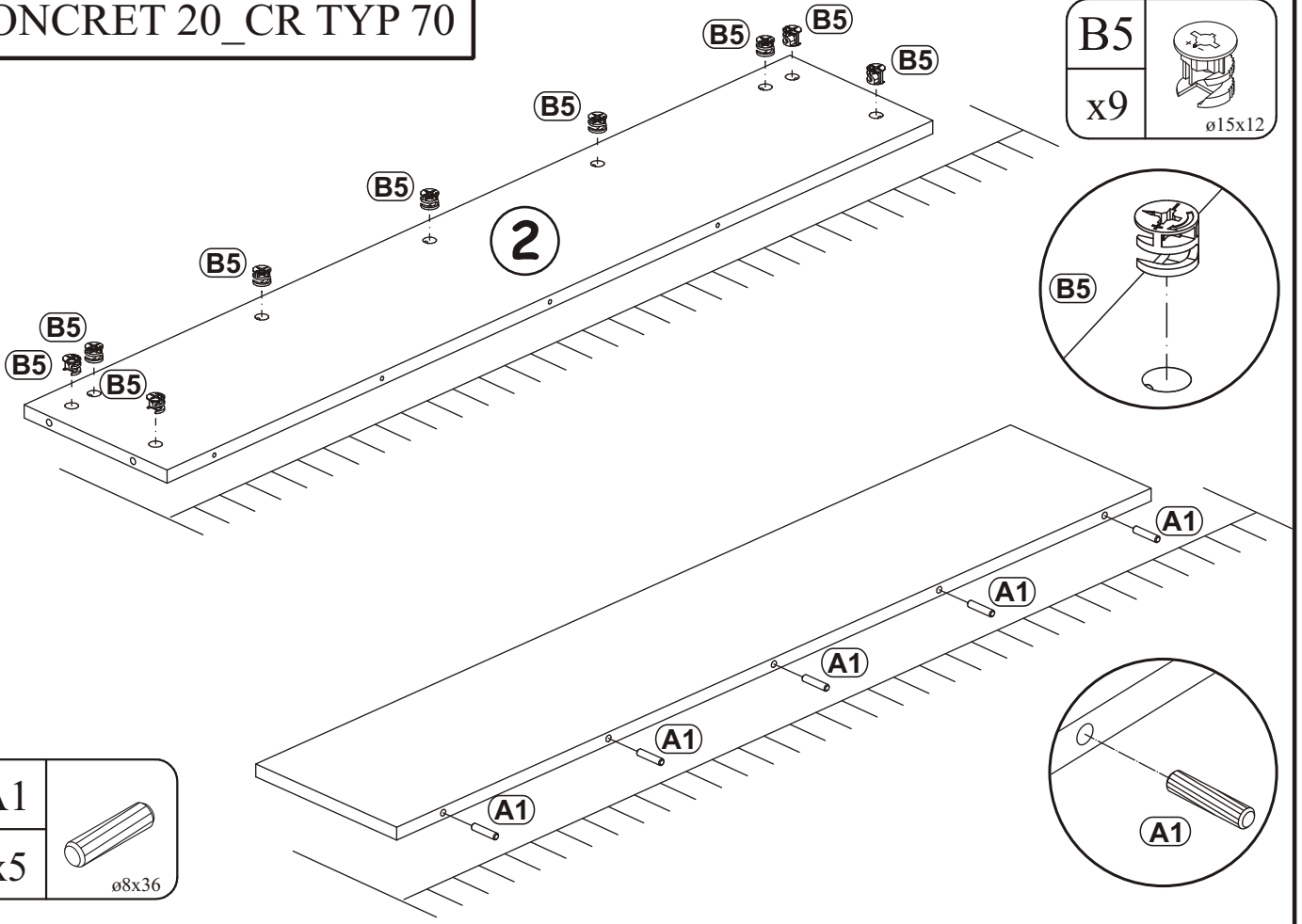
KM1	
x1	

D10	
x1	USØ3,5x13

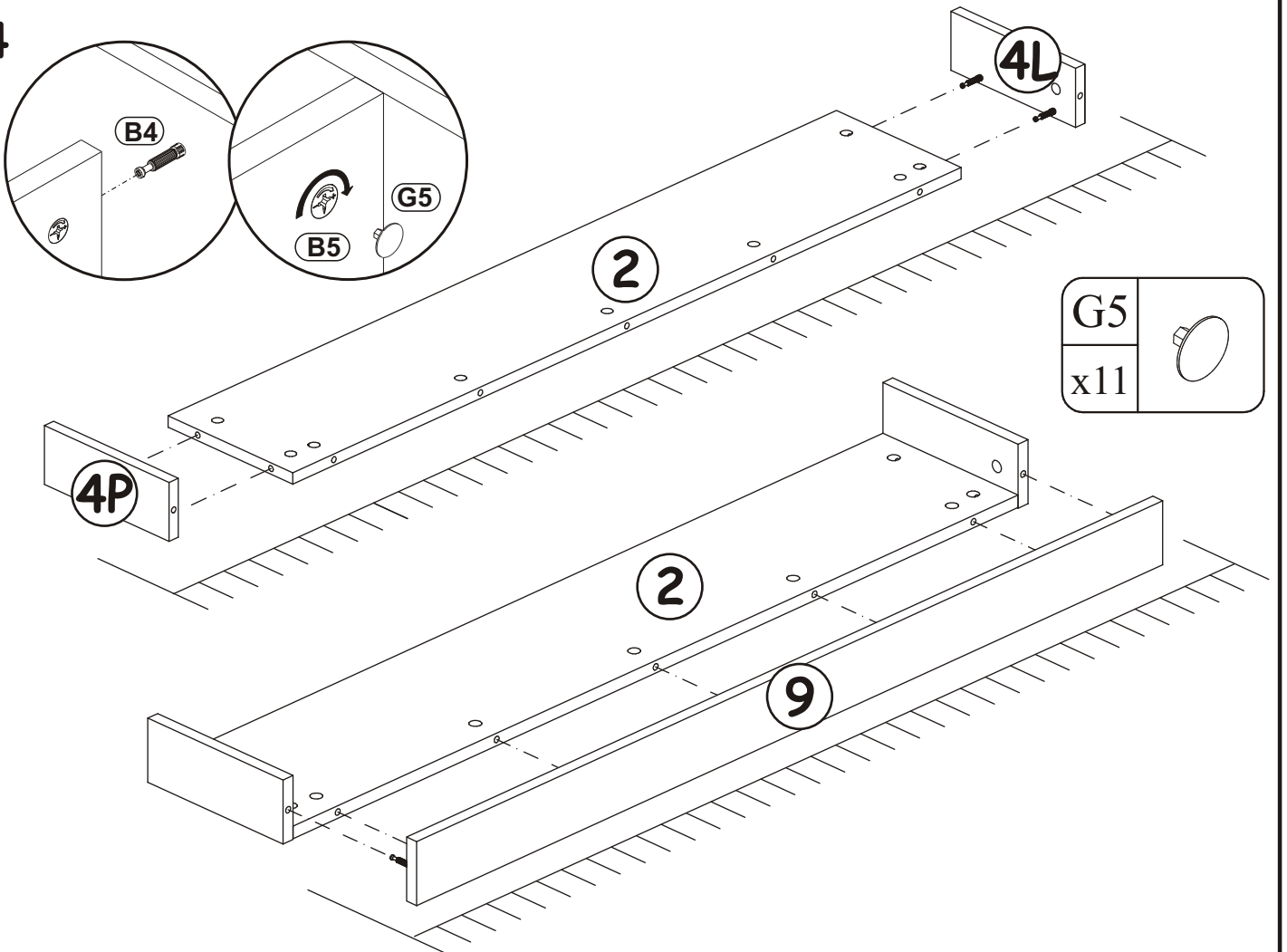


CONCRET 20_CR TYP 70

3

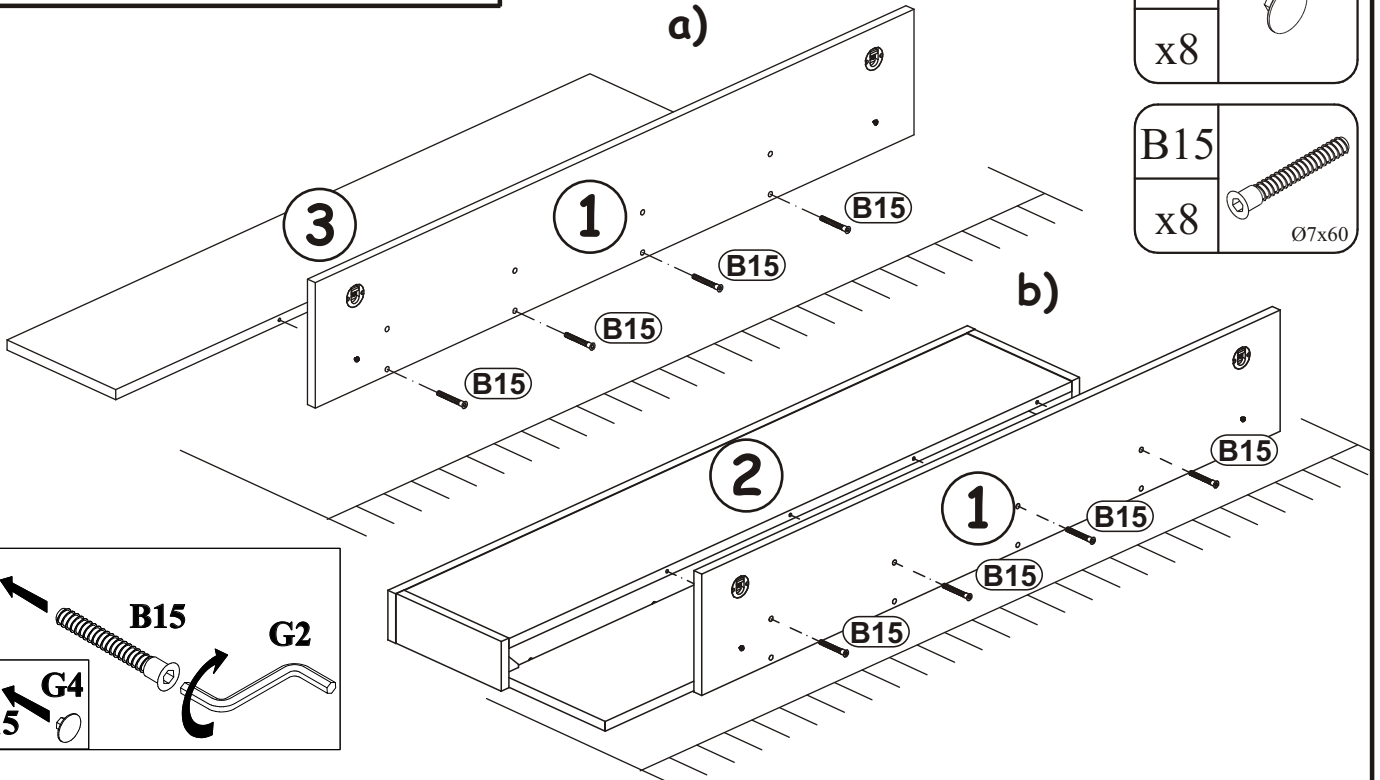


4



CONCRET 20_CR TYP 70

5



6

