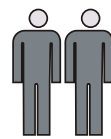
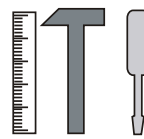
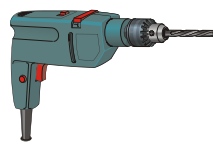
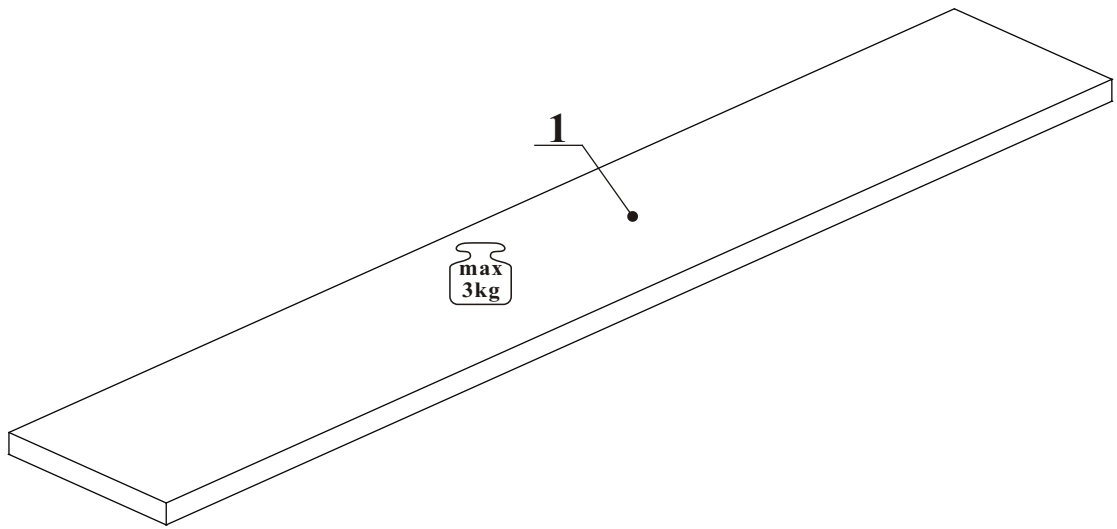
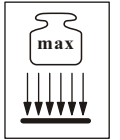


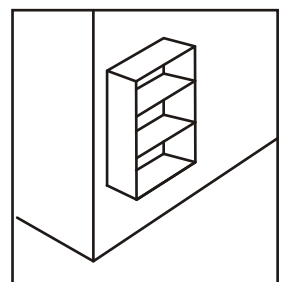
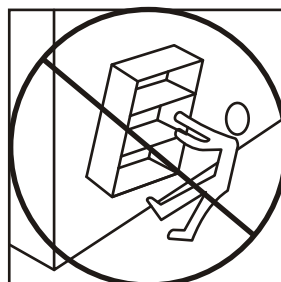
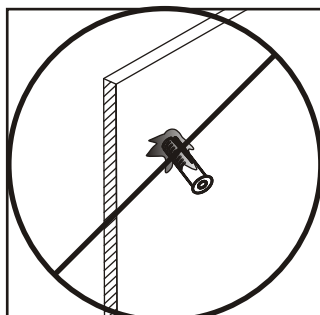
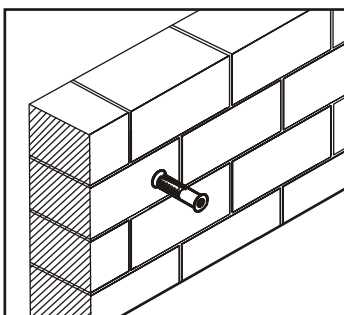
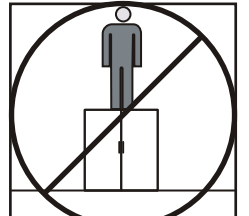
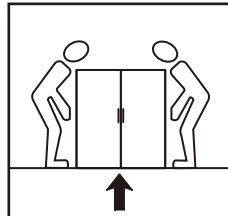
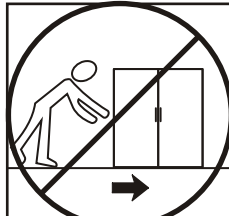
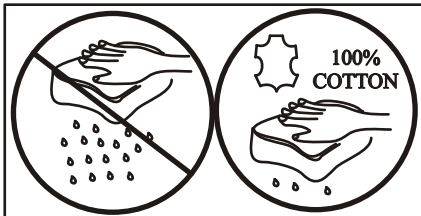
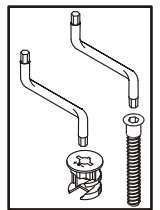
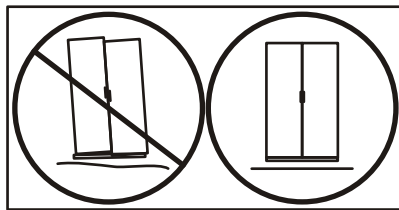
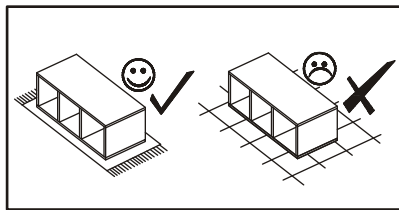
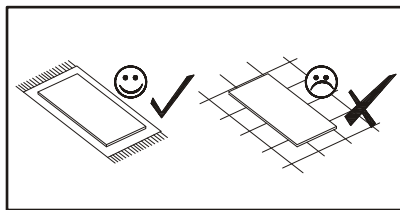
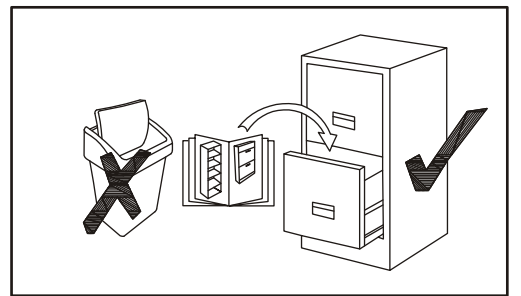
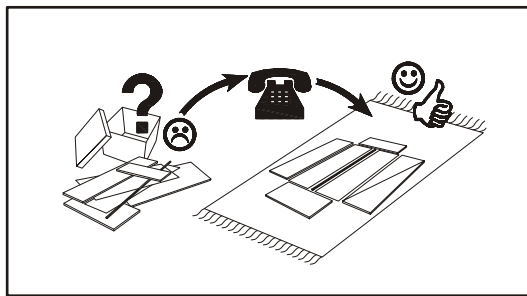
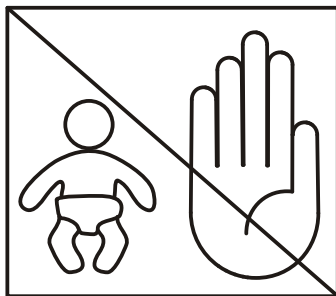
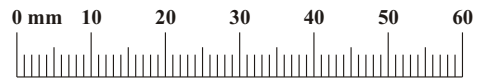
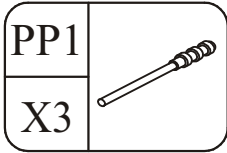
# SWITCH PW 2



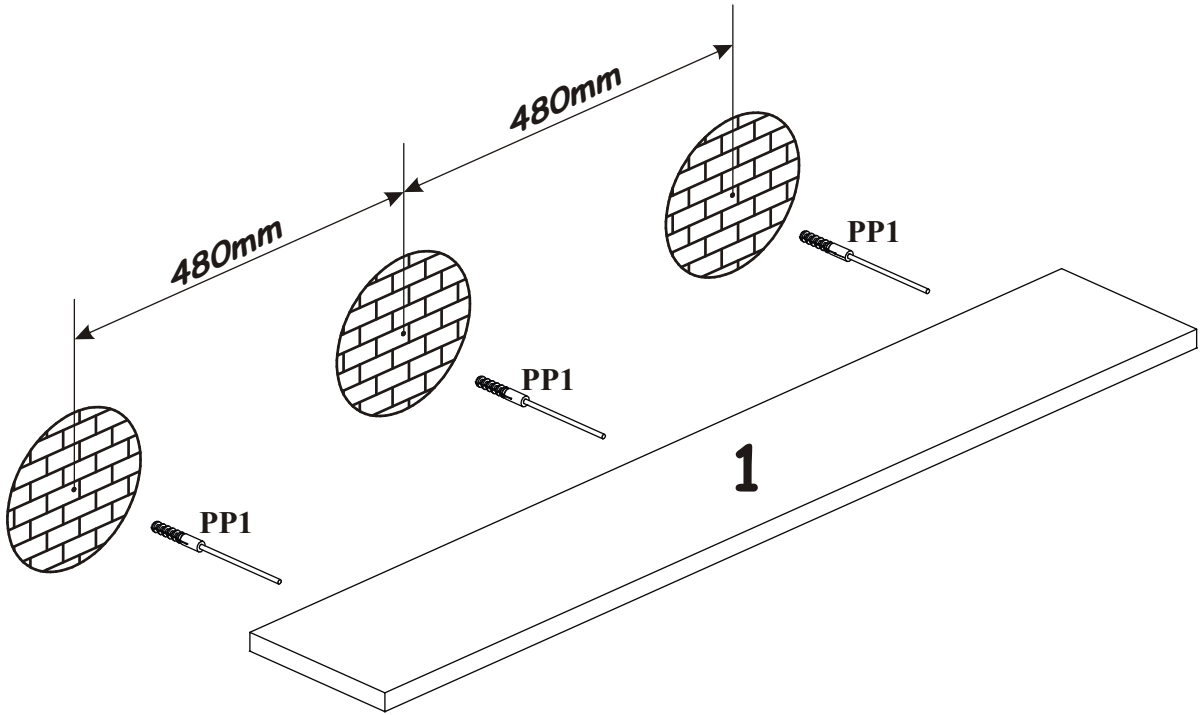
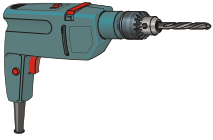
10 min

NO	Dim.		Col.-No	Qty
1	1202	200	1	1

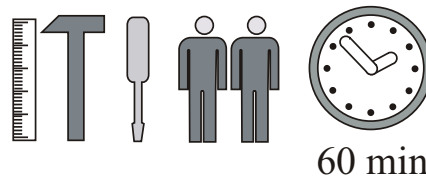
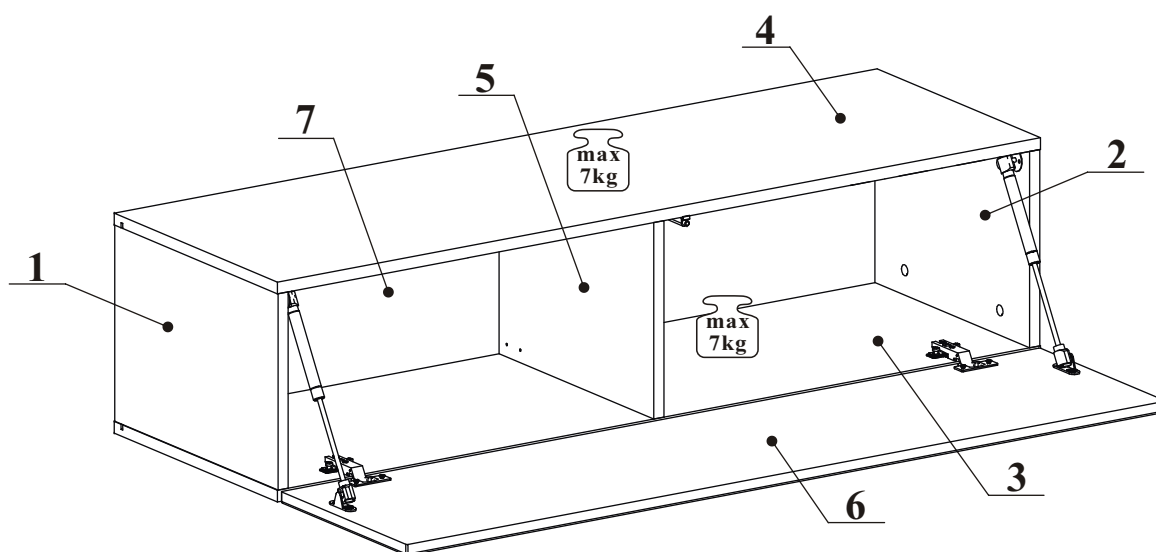
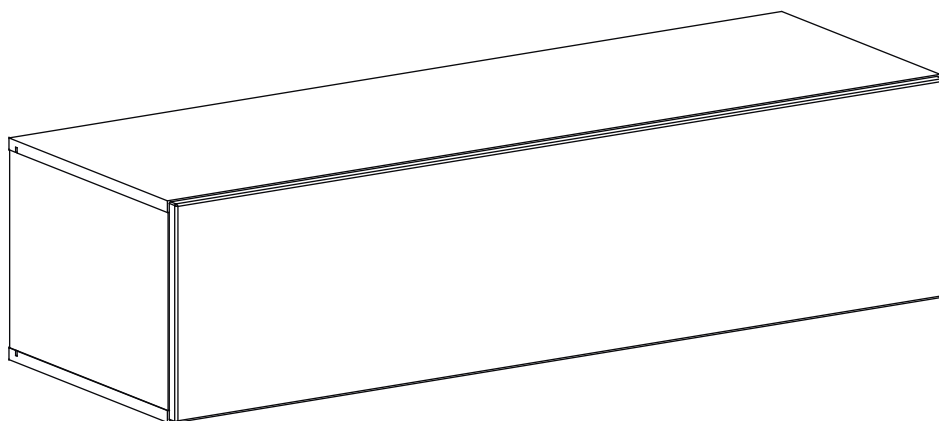
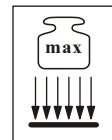
SWITCH PW 2



SWITCH PW 2



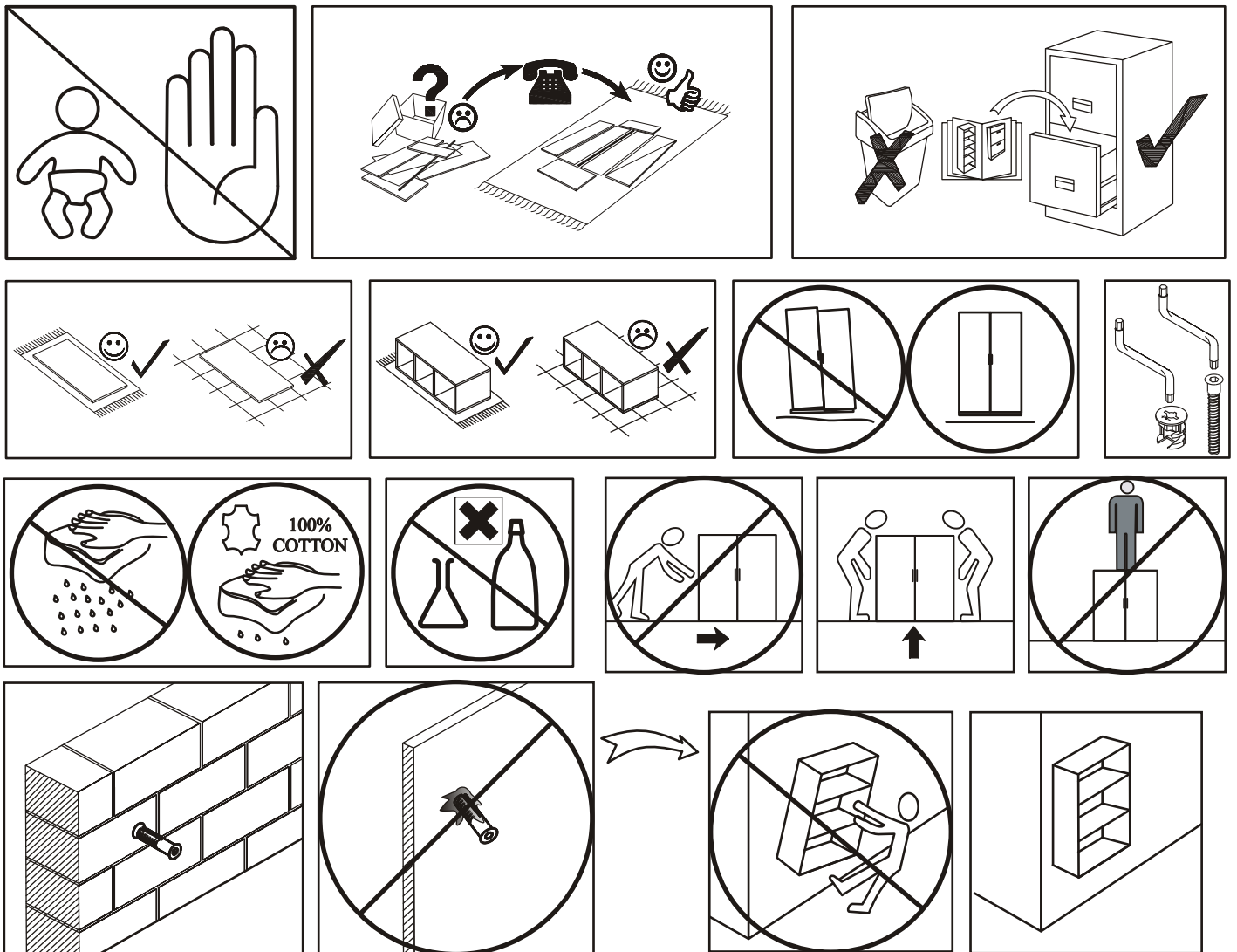
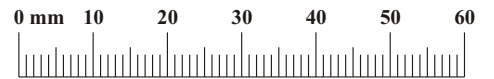
# SWITCH RTV 2



NO	Dim.		Col.-No	Qty
1	268	384	1	1
2	268	384	1	1
3	1202	384	1	1
4	1202	384	1	1
5	268	364	1	1
7	1180	280	1	1
6	1196	296	1	1

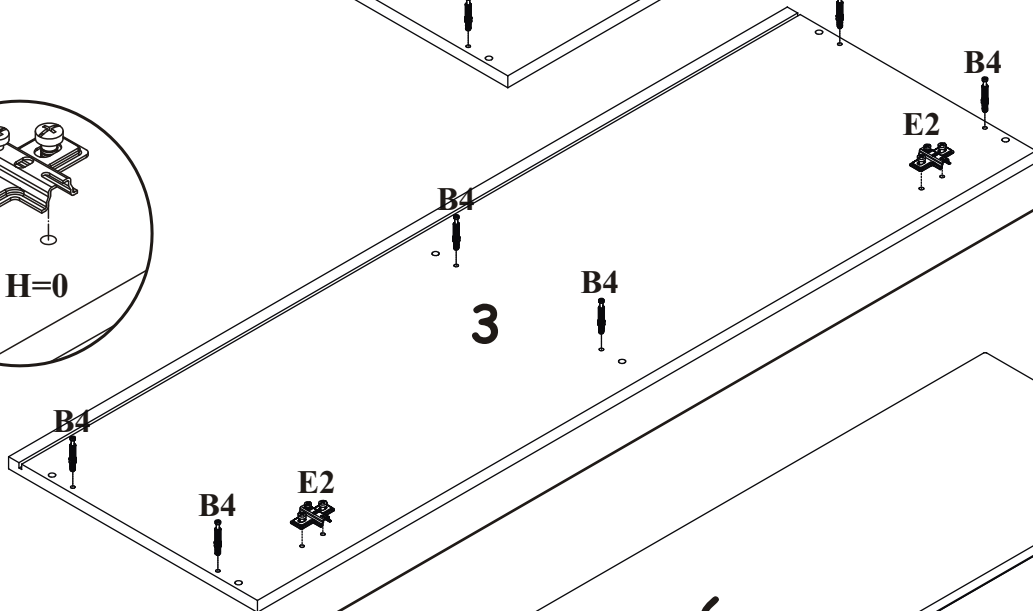
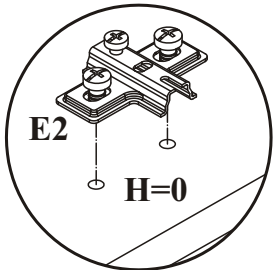
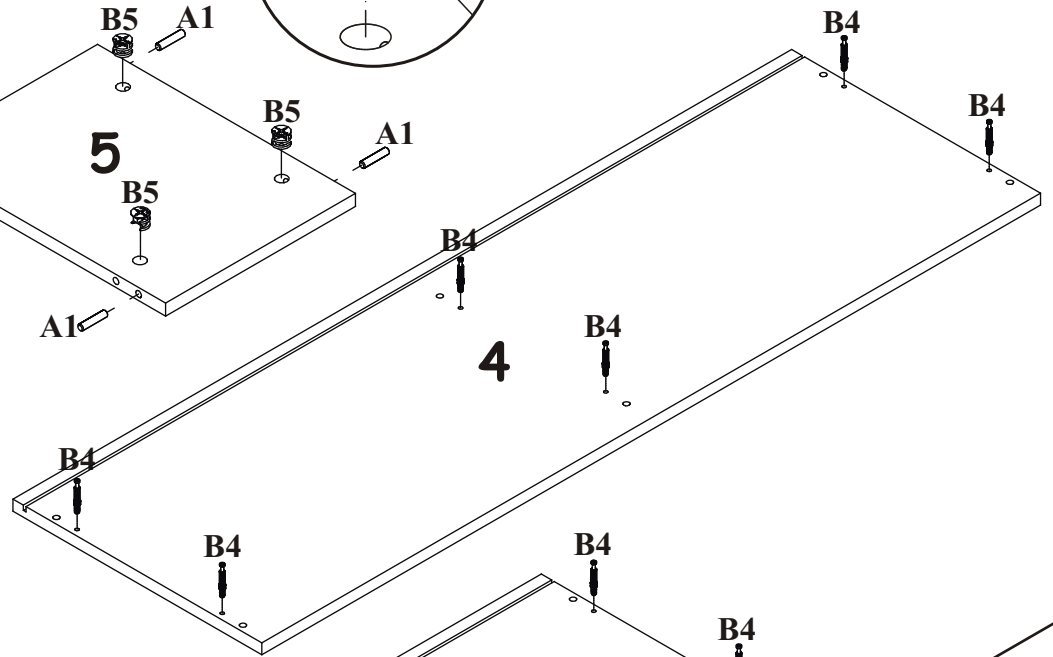
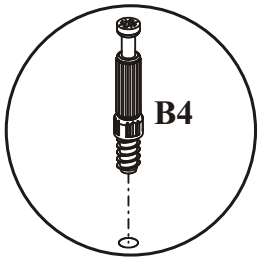
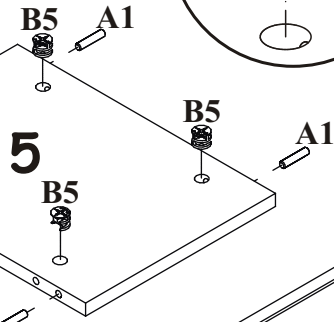
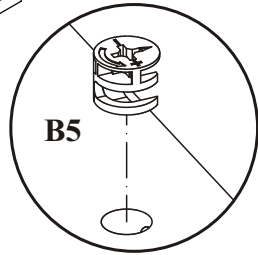
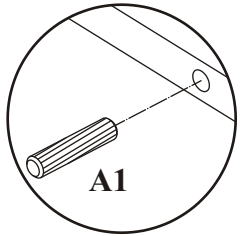
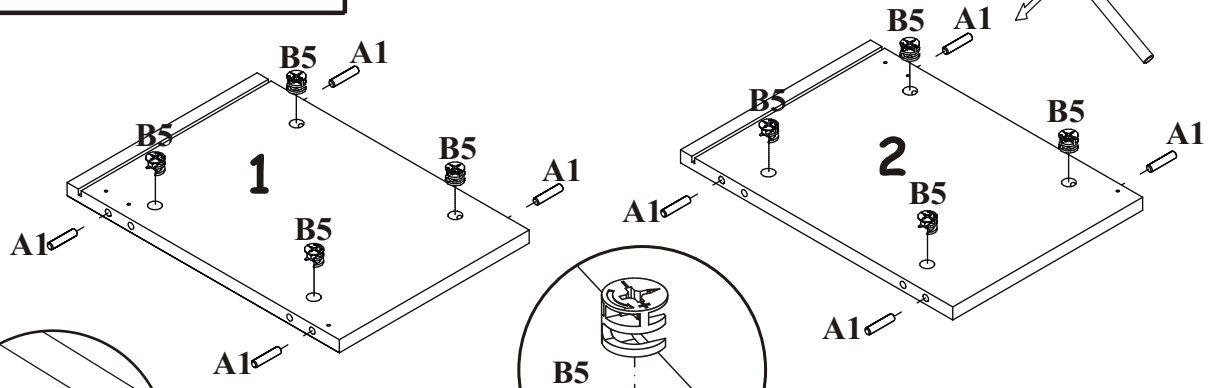
# SWITCH RTV 2

A1 X12 ø8x36	B4 X12	G5 X12	B5 X12 ø15x12	ZR1 X3	D6 X6 USØ3,5x30
E1 X2 Ø26 H=0	E2 X2 H=0	D10 X10 USØ3,5x13	OD1 X1	S1 X10	BP1 X2
KR2 X3	G2 X1				

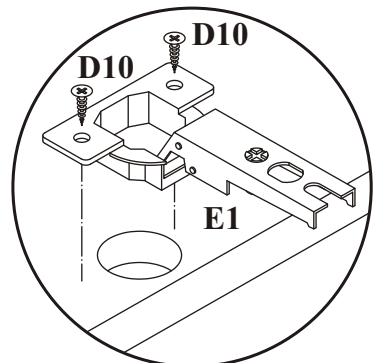
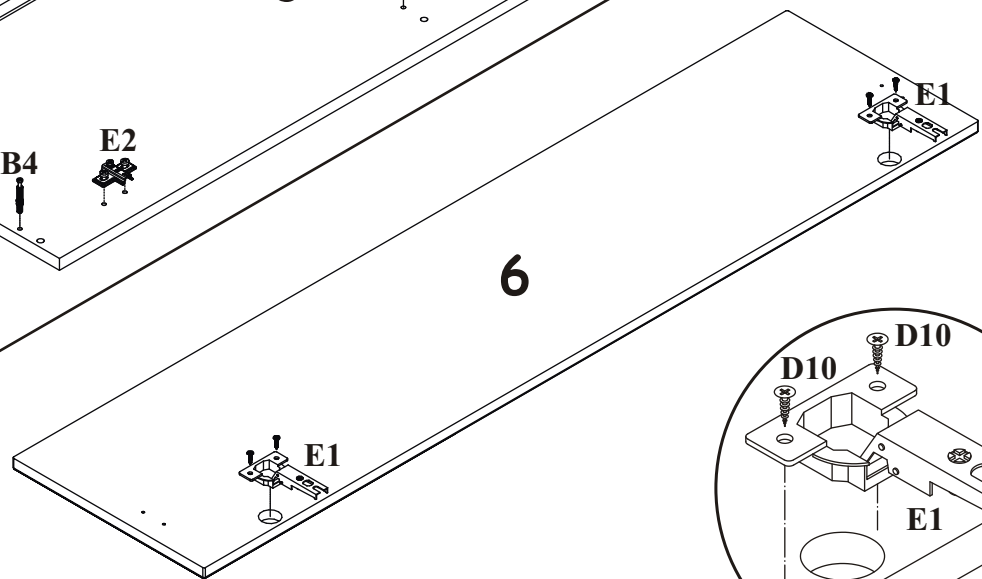


# SWITCH RTV 2

1

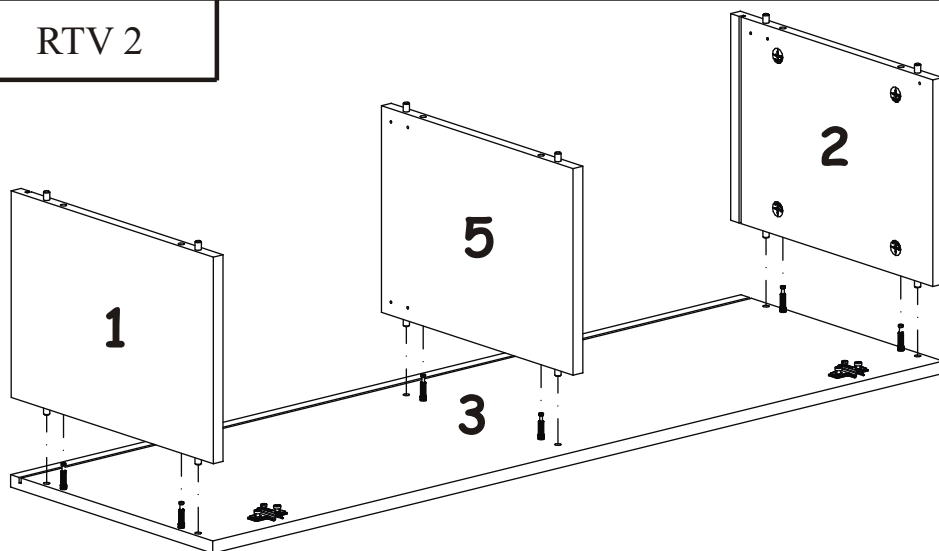


2

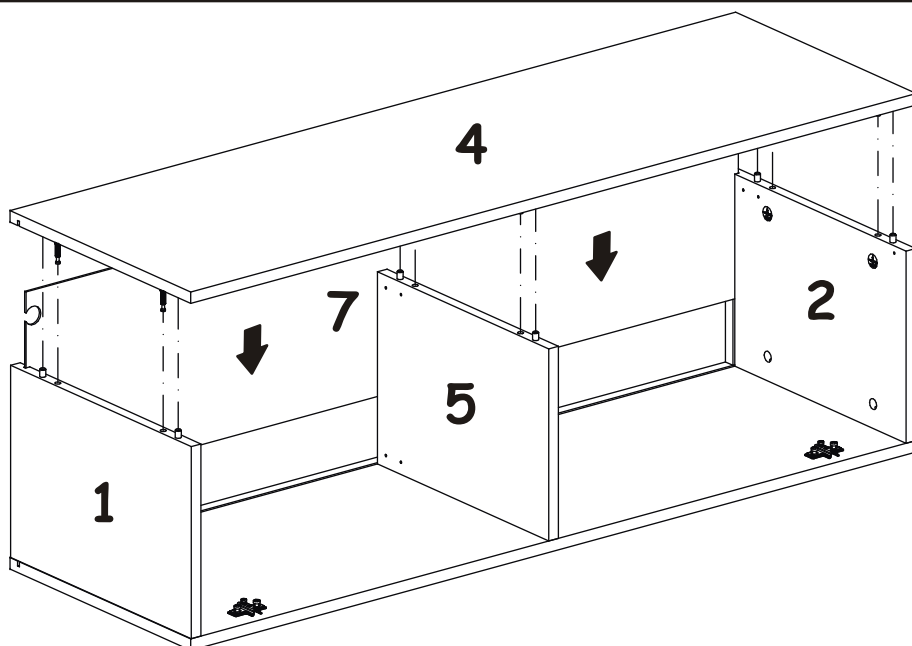


SWITCH RTV 2

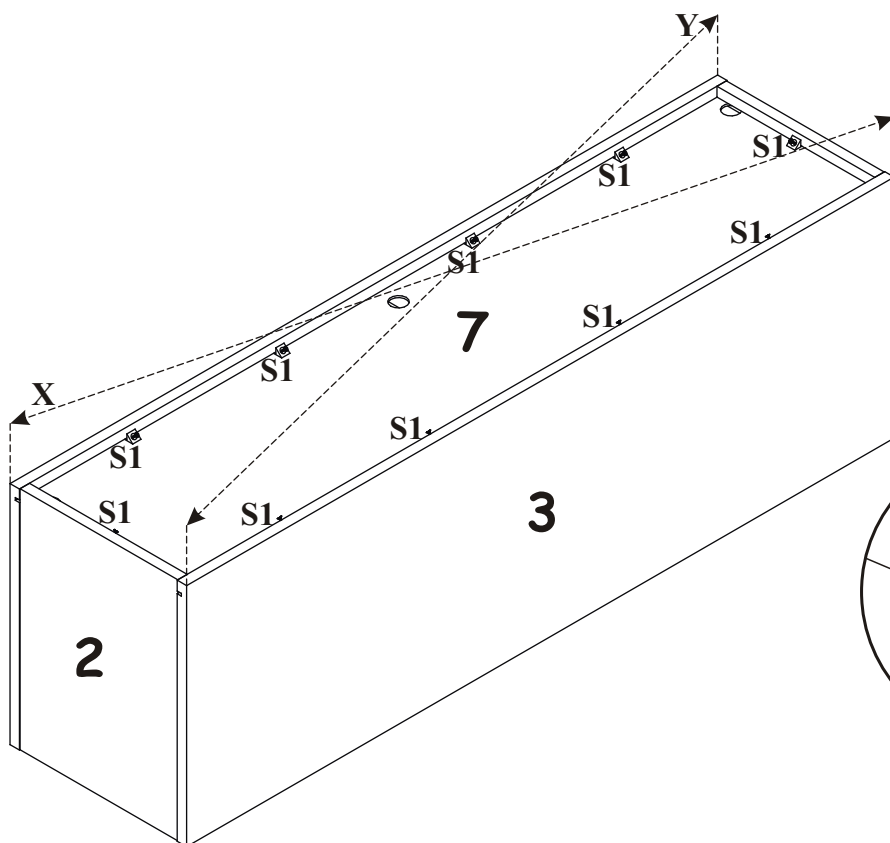
3



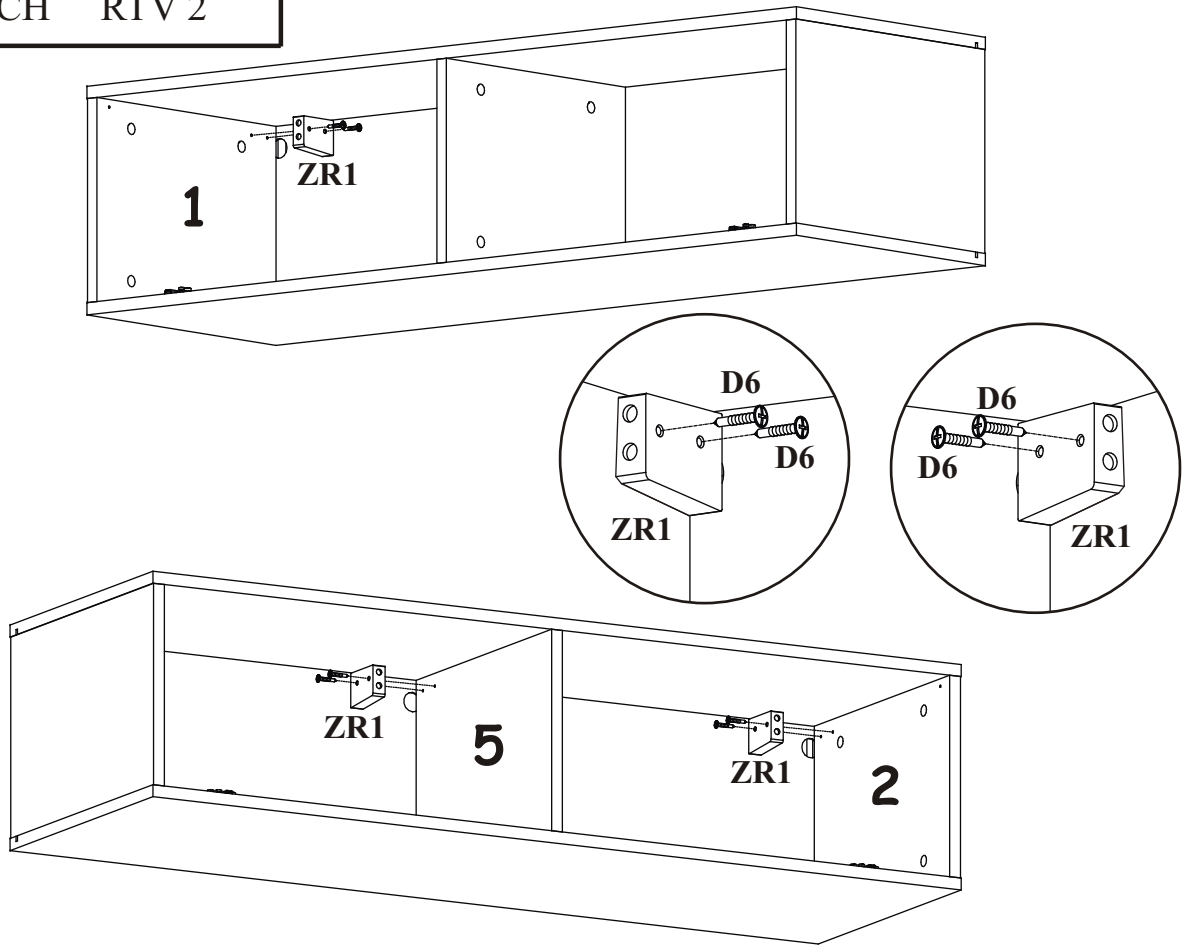
4



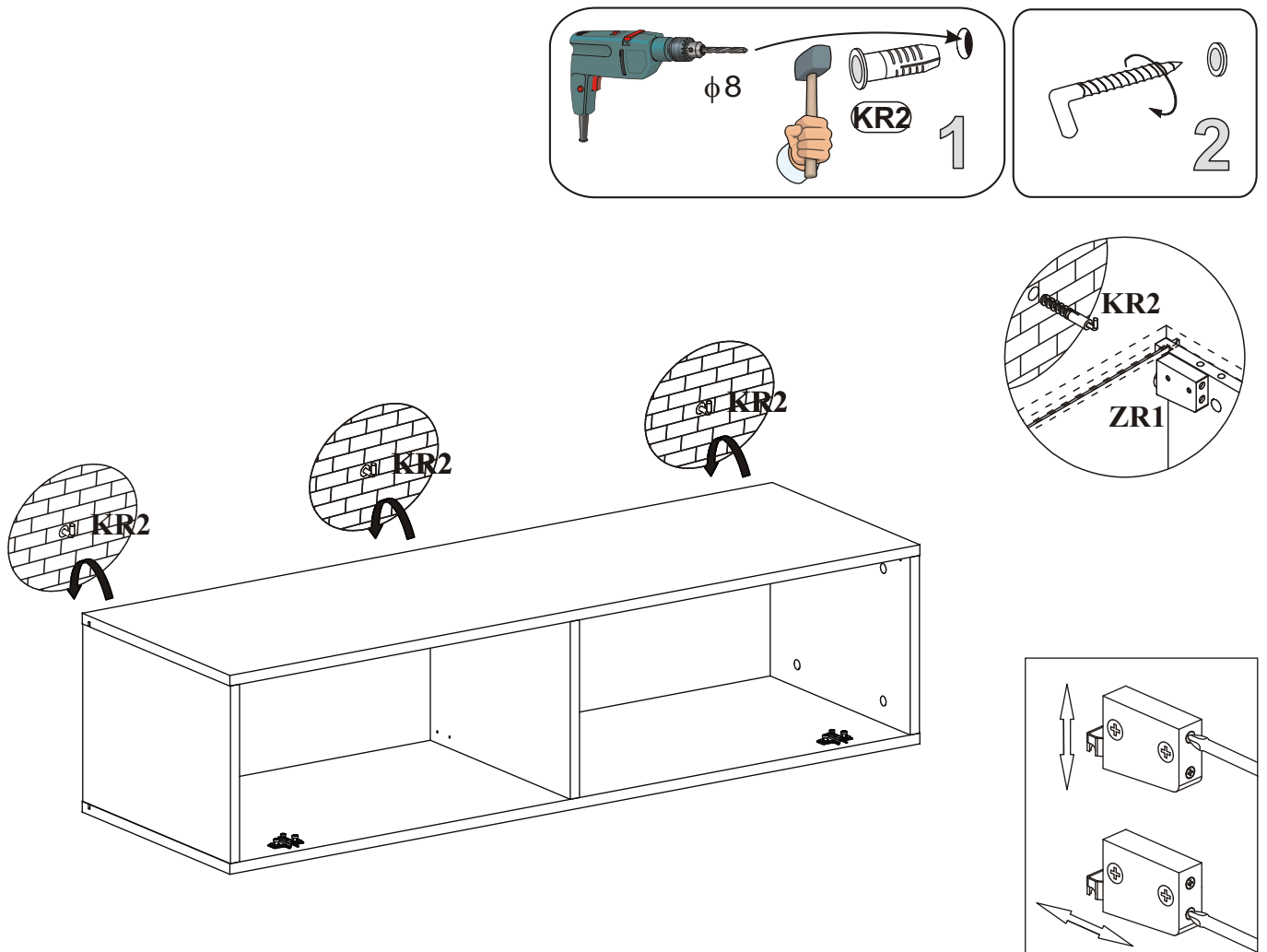
5



6

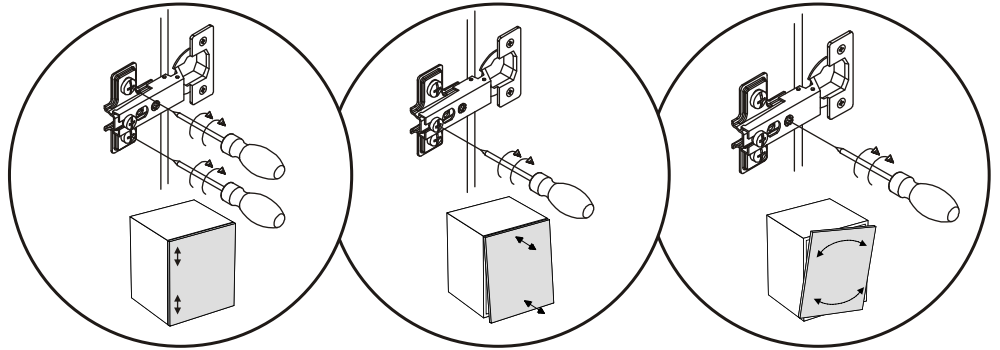
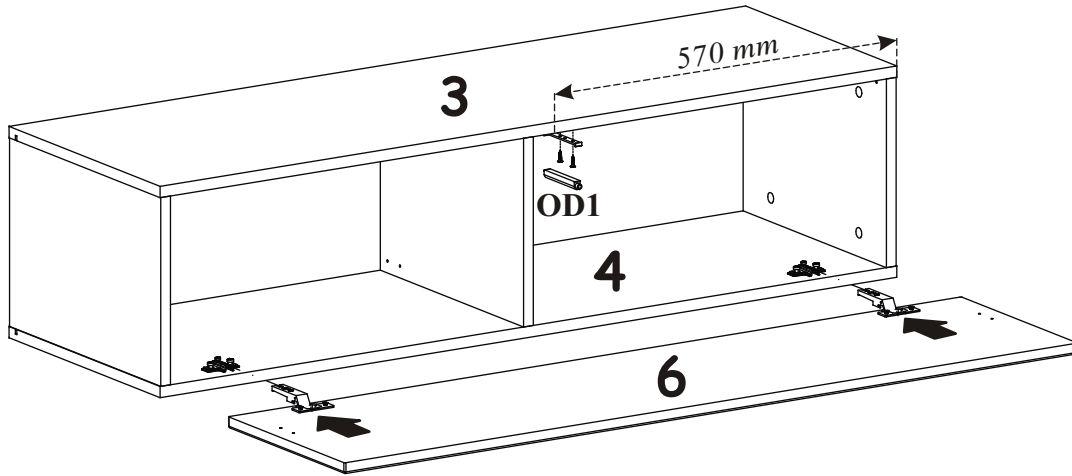
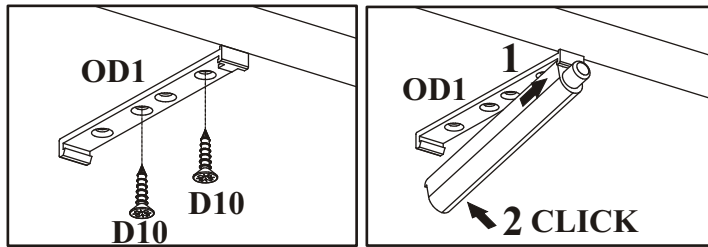


7

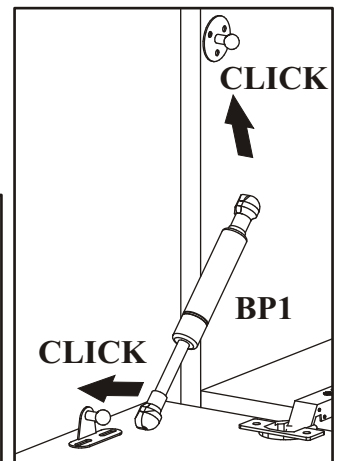
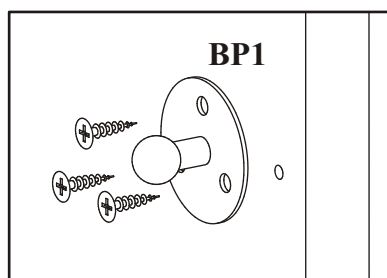
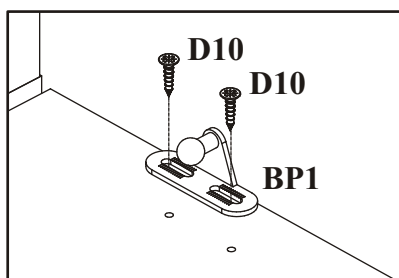
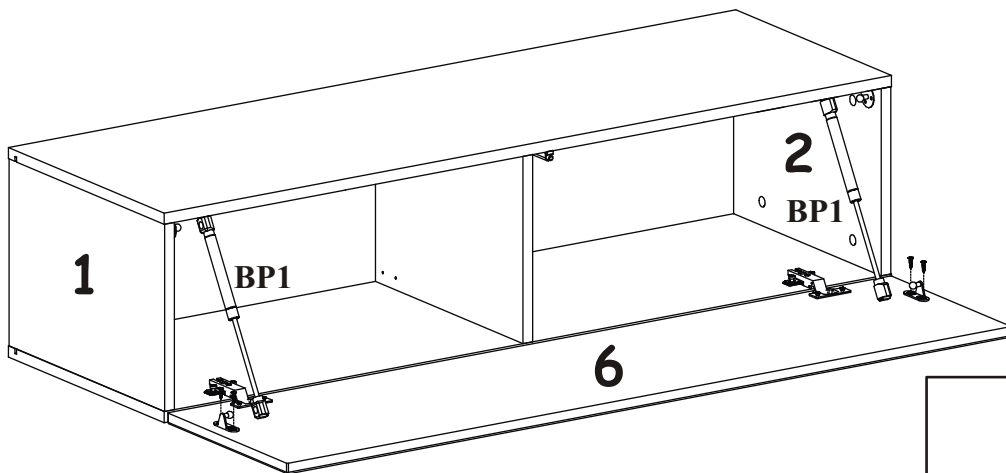





8

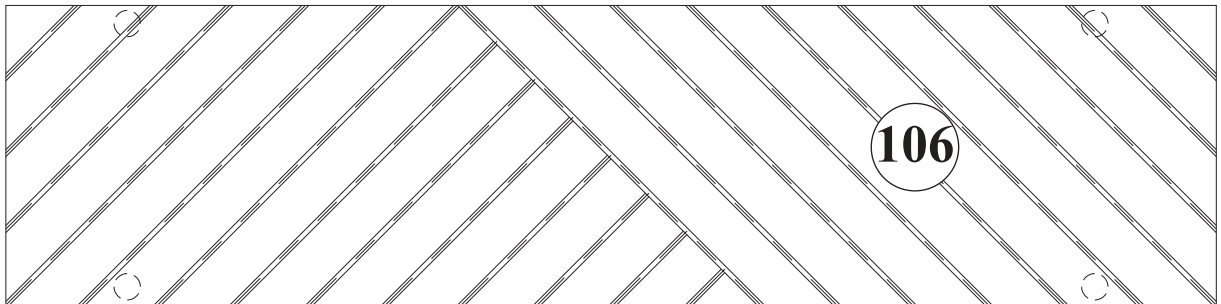
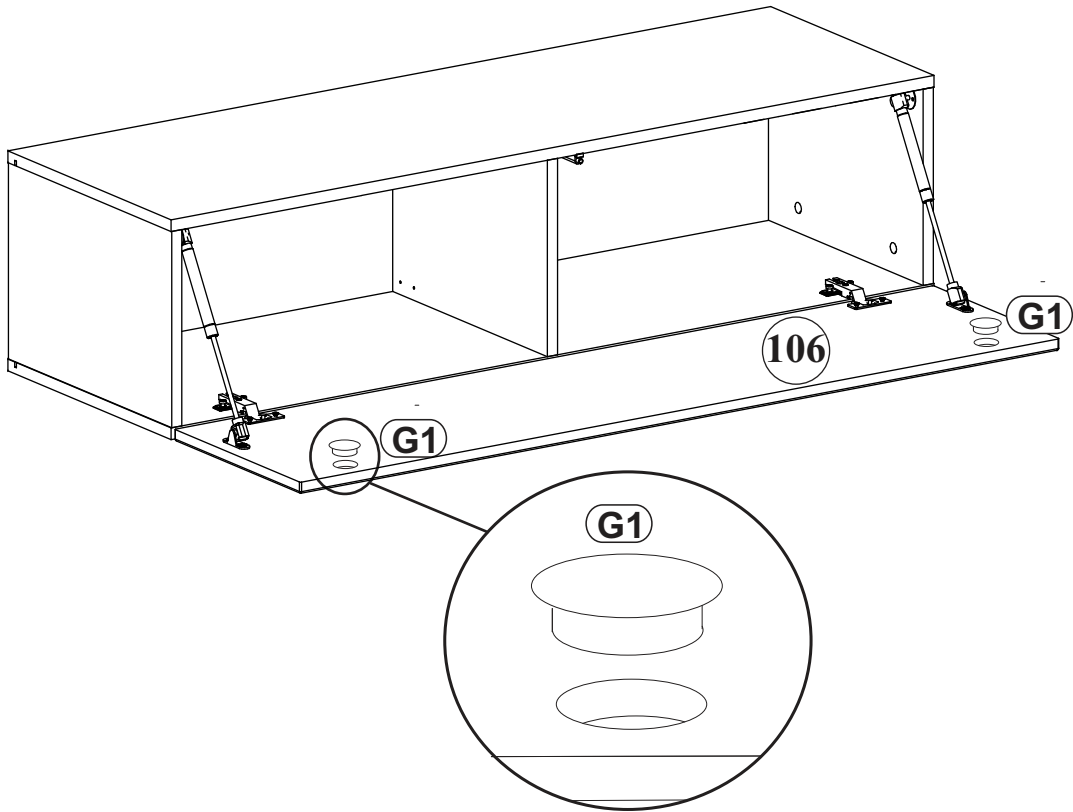


9

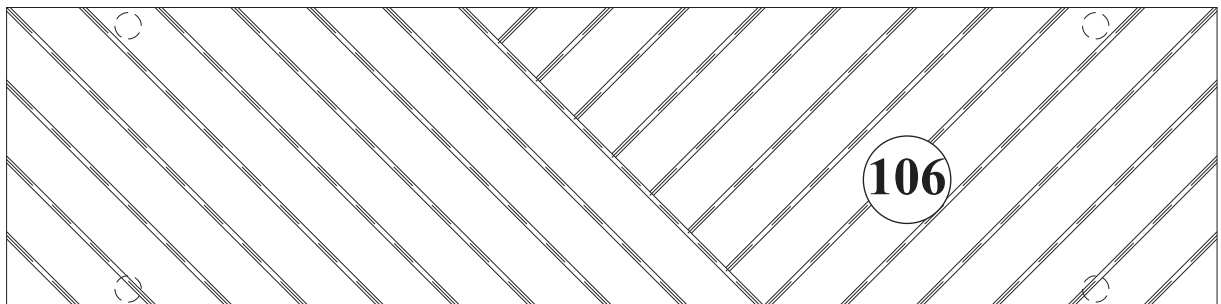


# SWITCH WTL RTV2

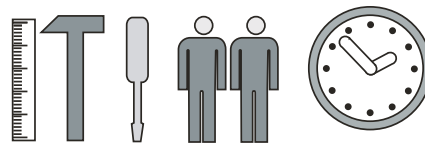
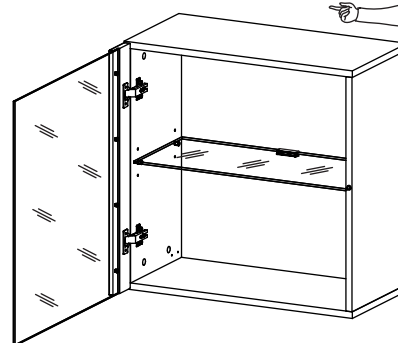
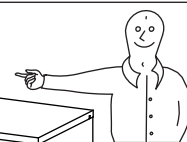
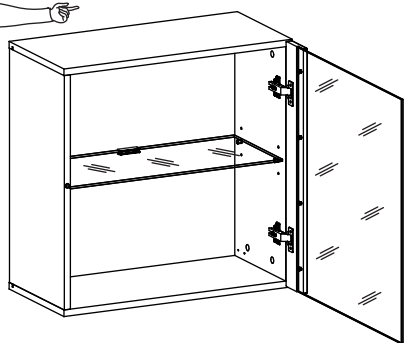
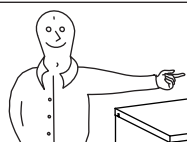
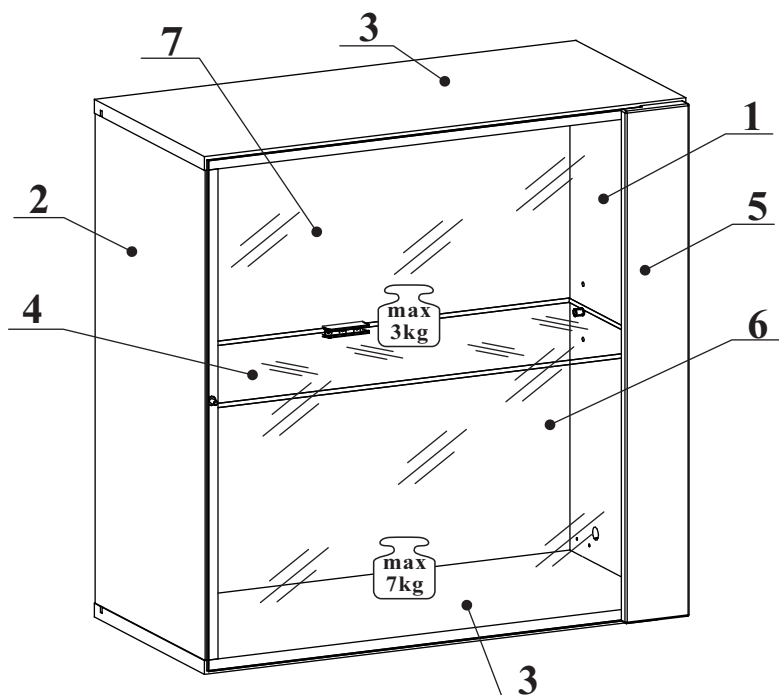
G1	
x2	Ø26



180°



# SWITCH WW 3

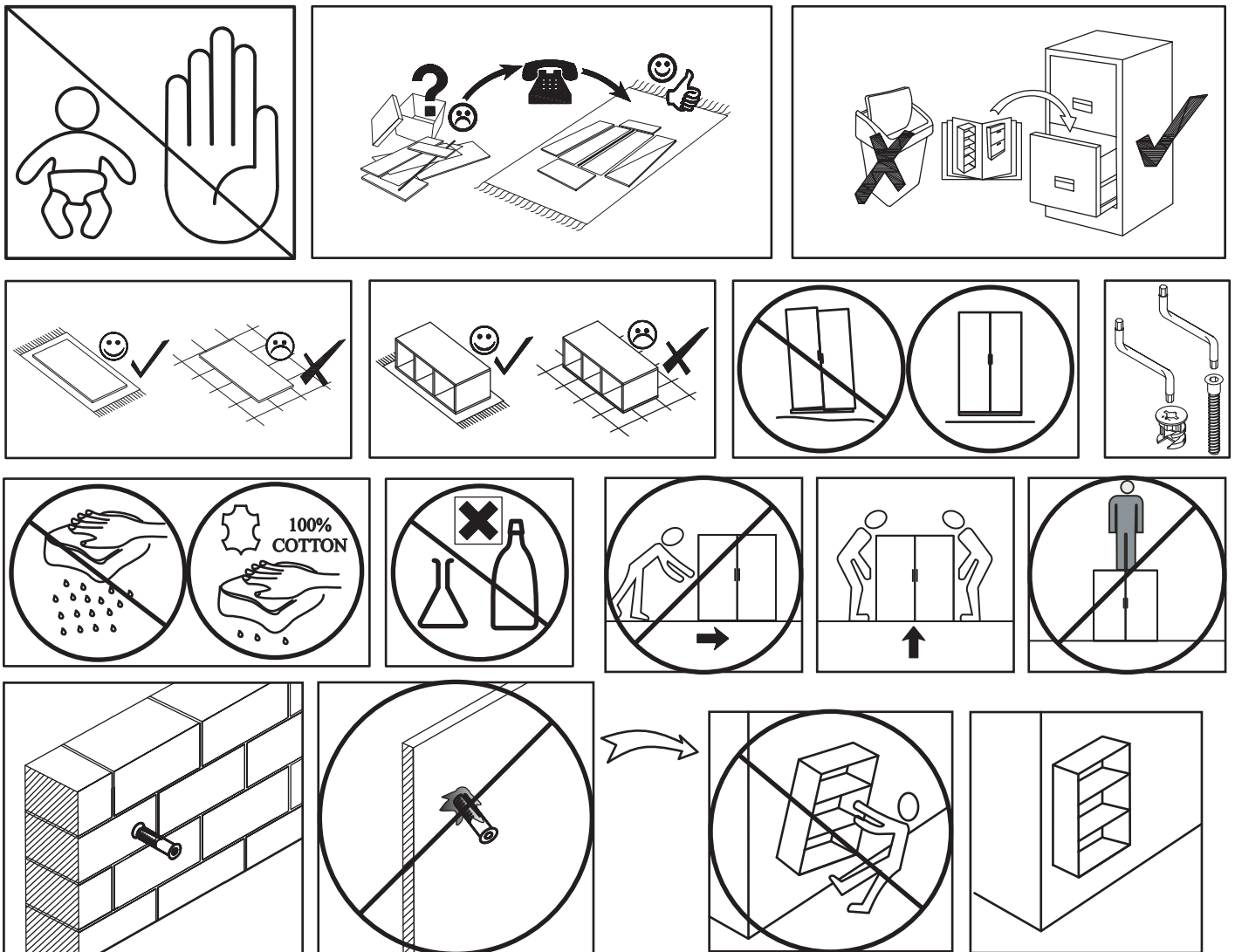
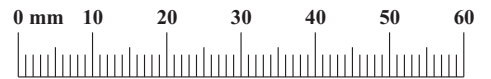


60 min

NO	Dim.		Col.-No	Qty
1	570	284	1	1
2	570	284	1	1
3	602	284	1	2
4	566	249	1	1
5	80	596	1	1
6	594	541	1	1
7	582	580	1	1

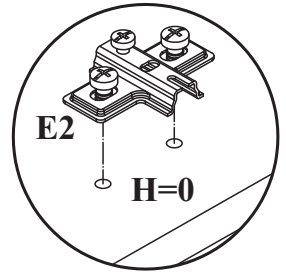
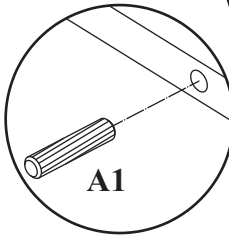
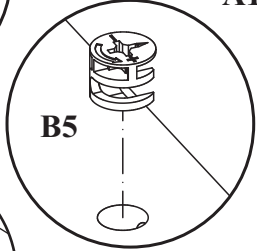
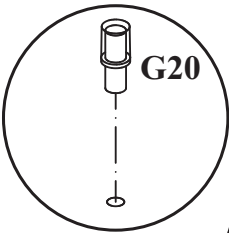
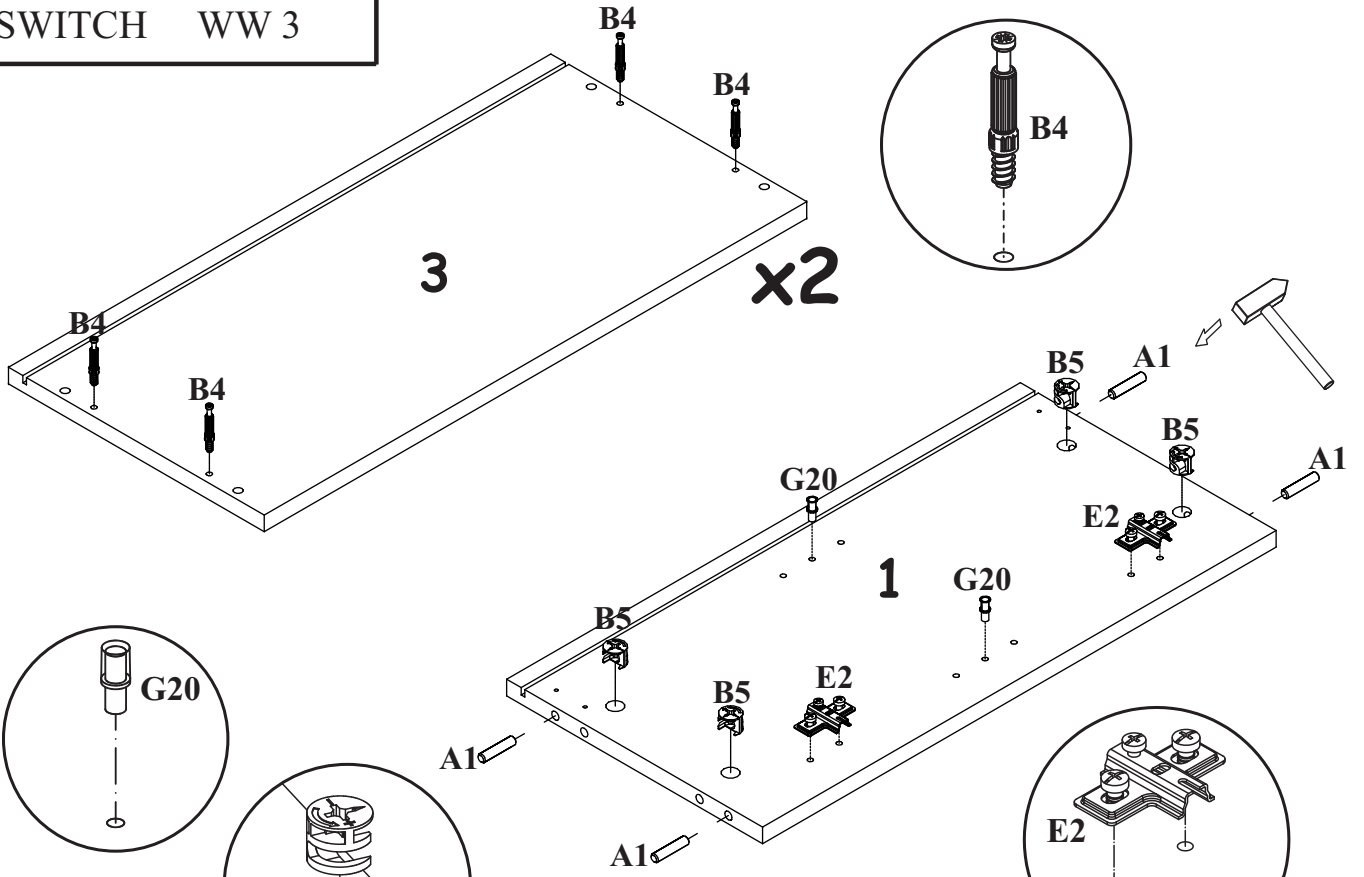
# SWITCH WW 3

A1 X8 ø8x36	B4 X8	G5 X8	B5 X8 ø15x12	ZR1 X2	D6 X4 USØ3,5x30
E1 X2 Ø26 H=0	E2 X2 H=0	D10 X4 USØ3,5x13	G20 X4	P2 X4	UP13 X4 UPØ3x16
OD X1 L=71,5	S1 X8	KR2 X2	G2 X1	LED X1 X1	

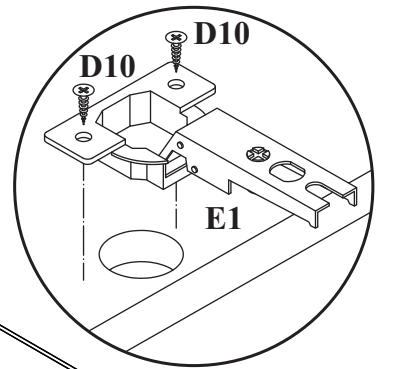
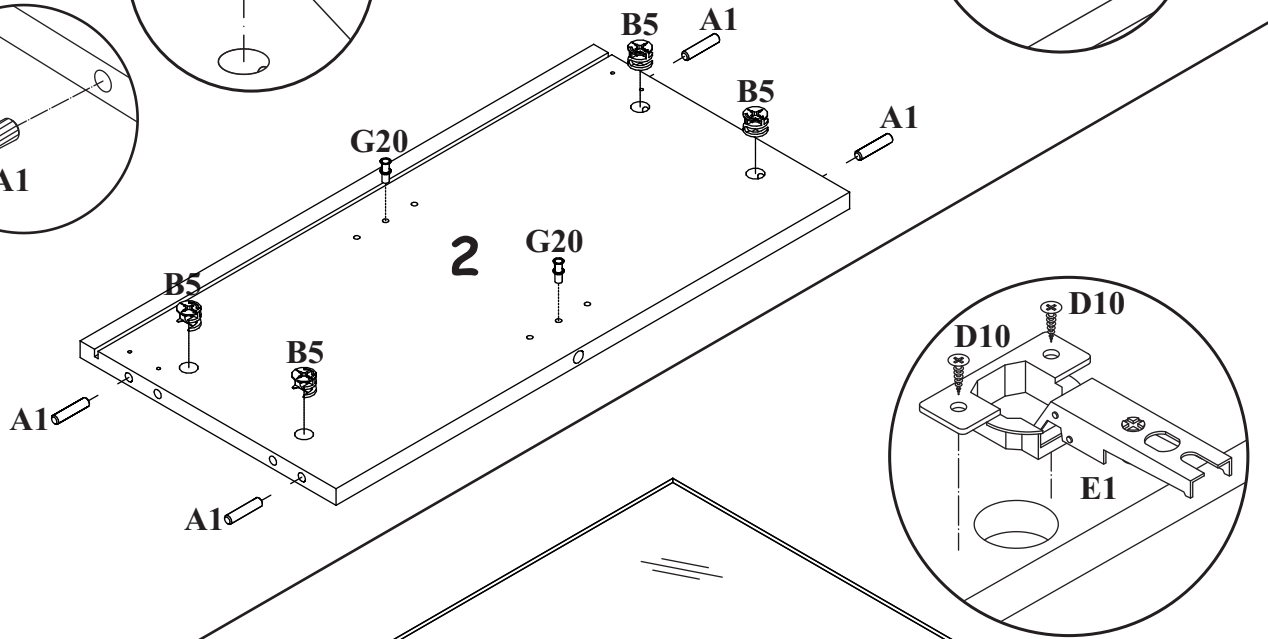


SWITCH WW 3

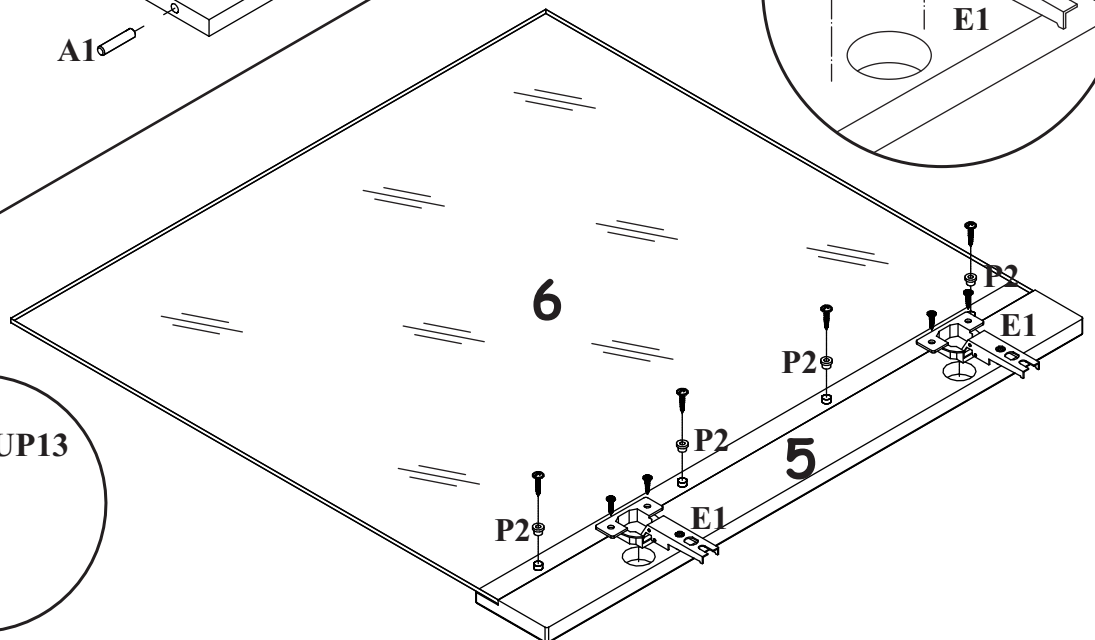
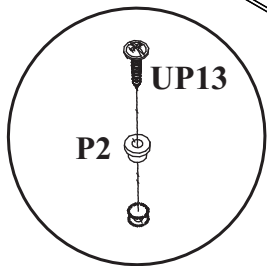
1



2

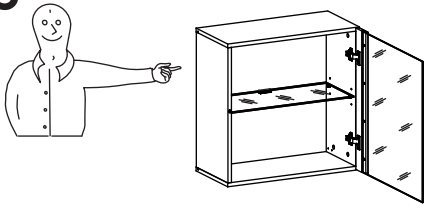


2

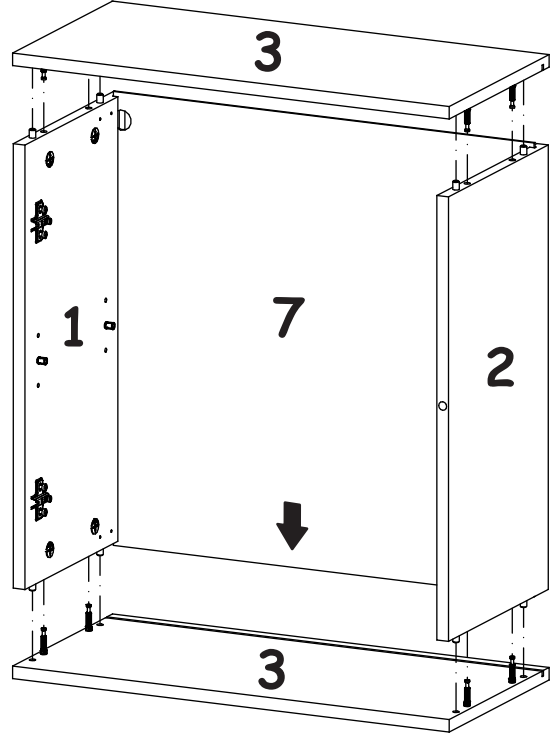
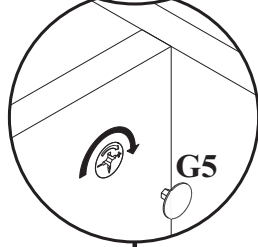
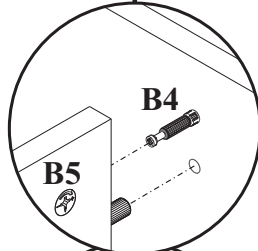
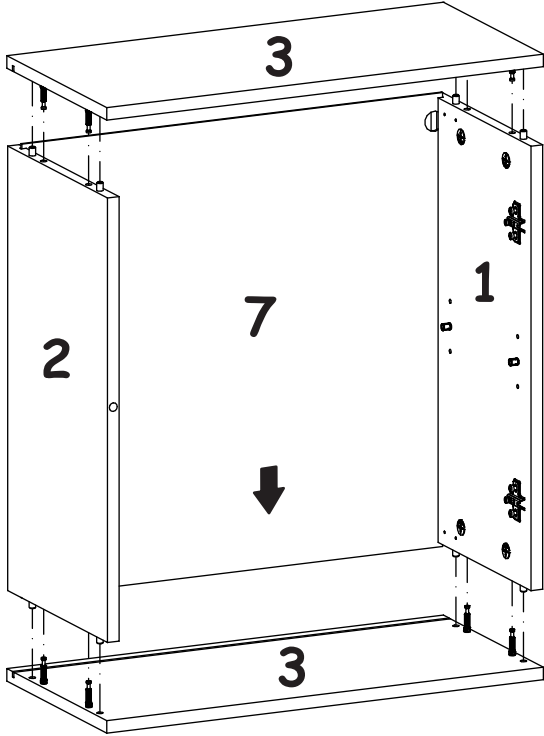
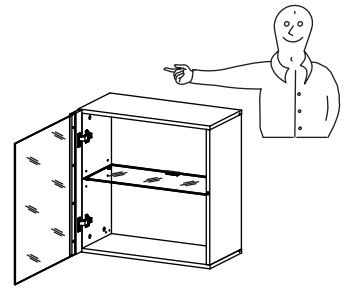


SWITCH WW 3

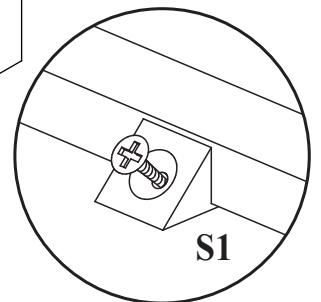
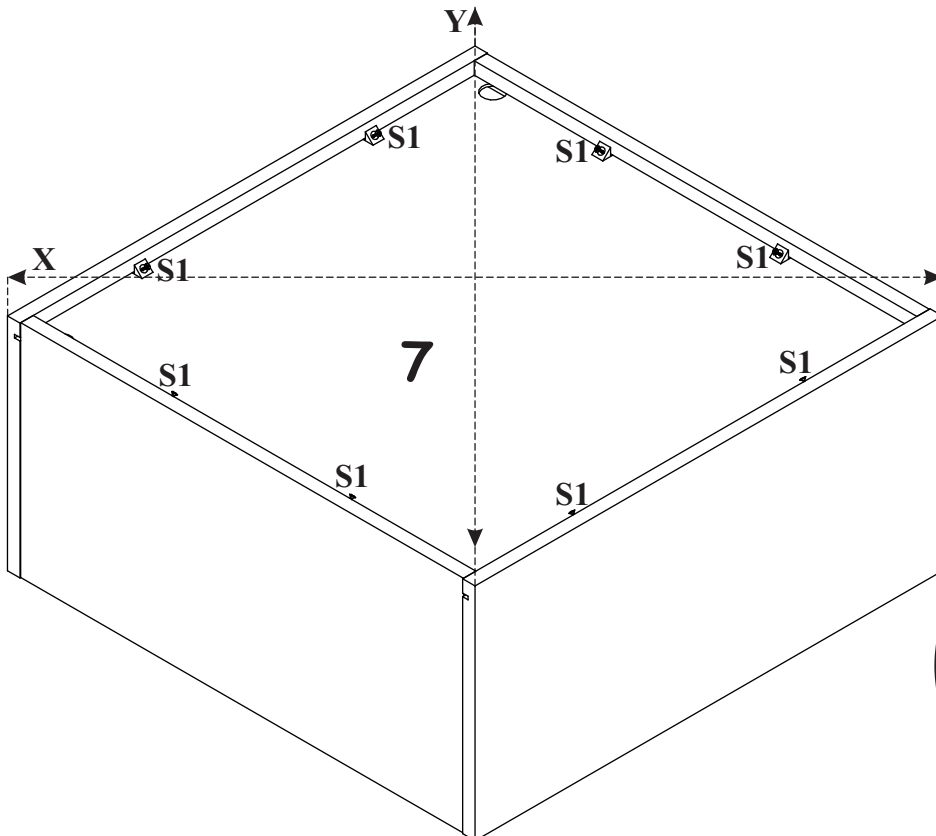
3



3

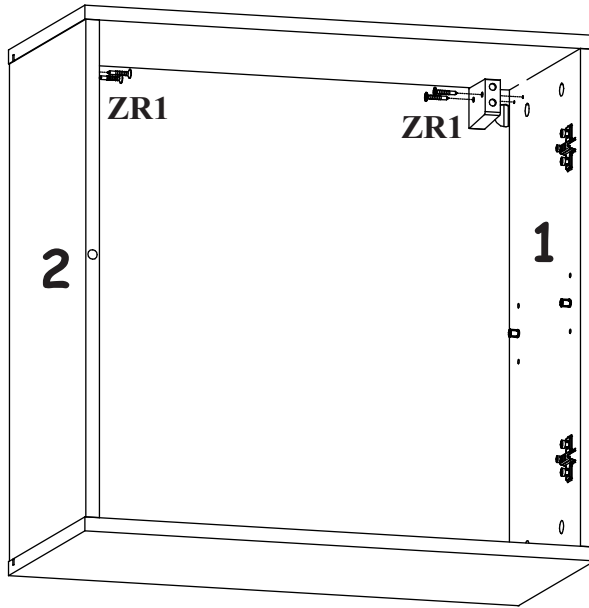
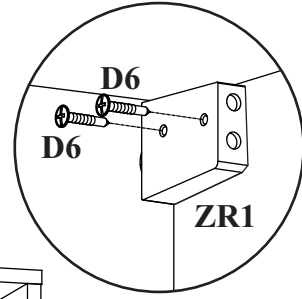
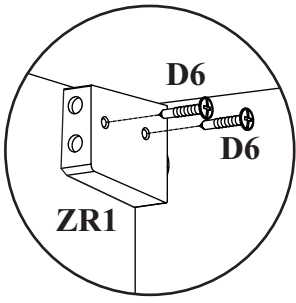


4

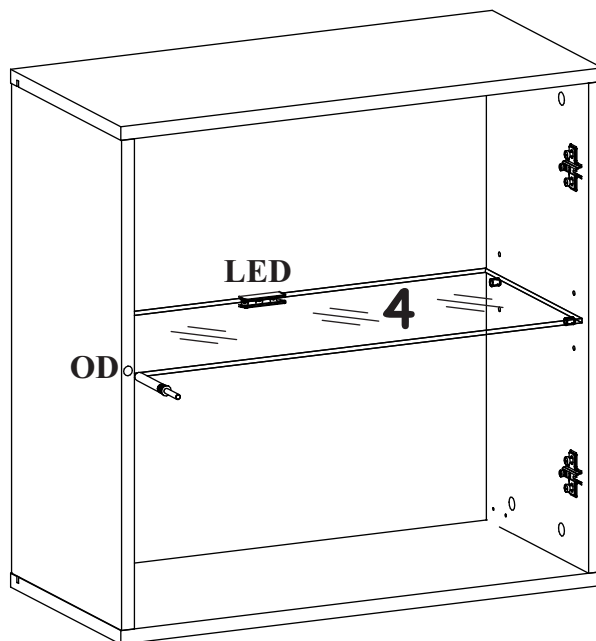
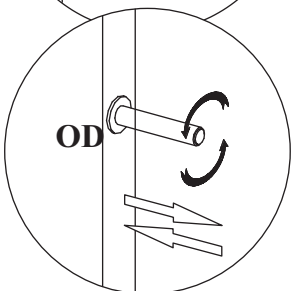
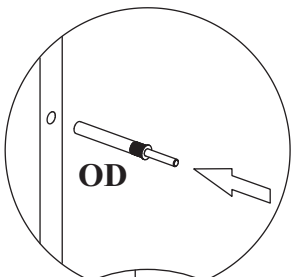
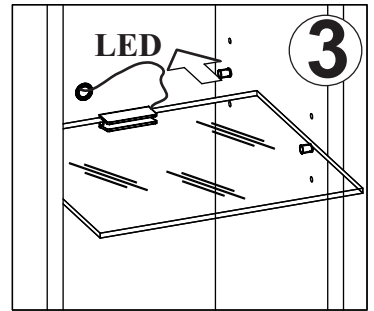
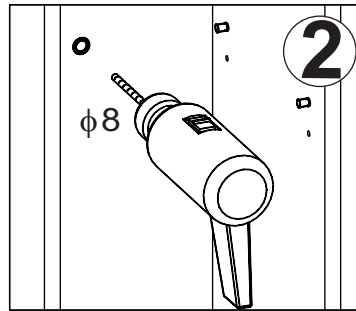
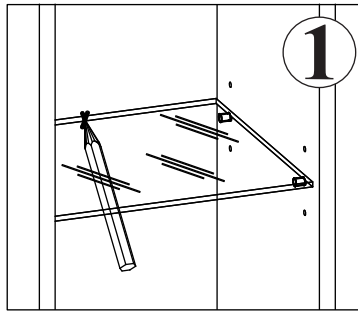


SWITCH WW 3

5

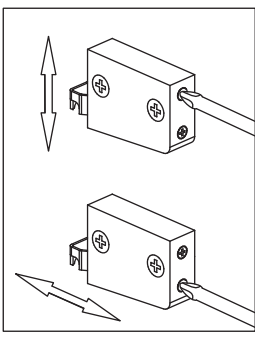
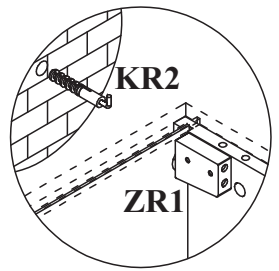
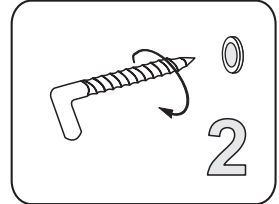
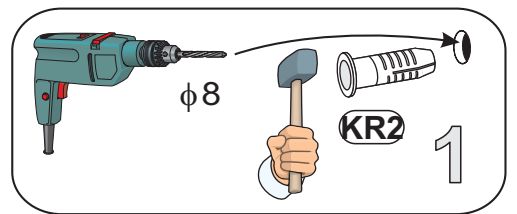
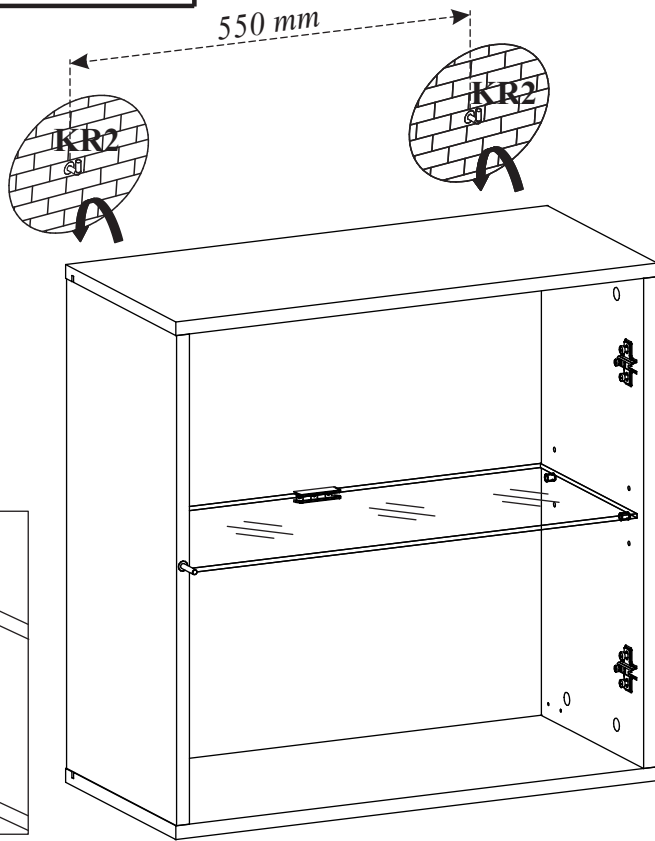


6



SWITCH WW 3

7



8

