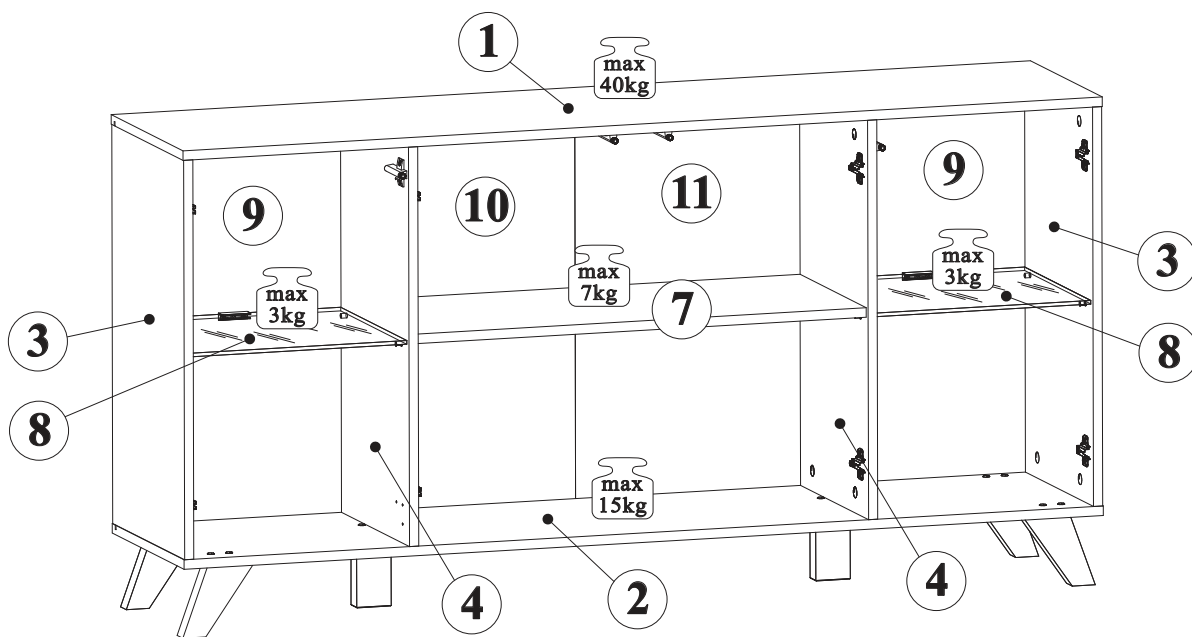
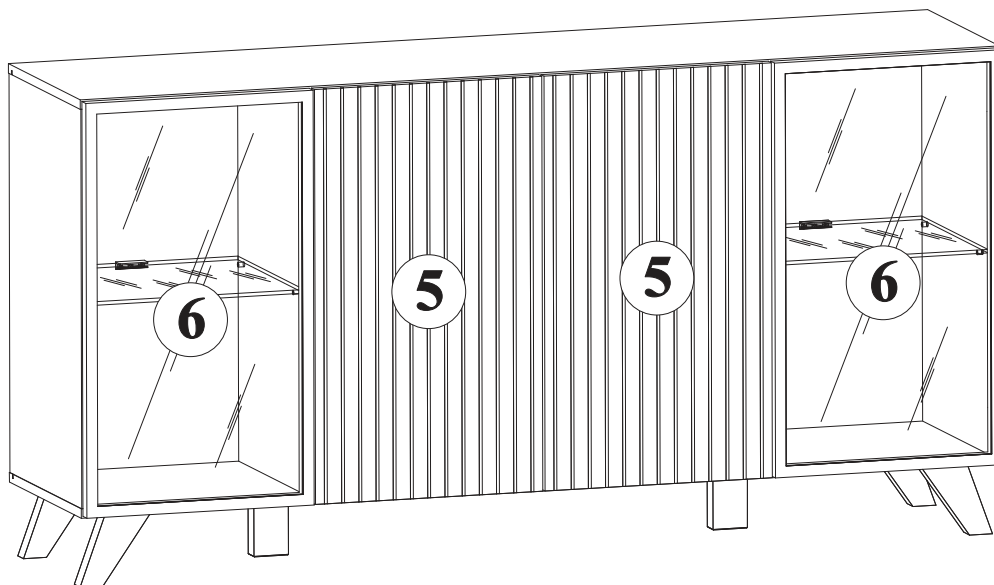
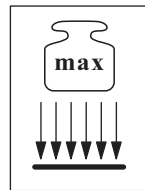
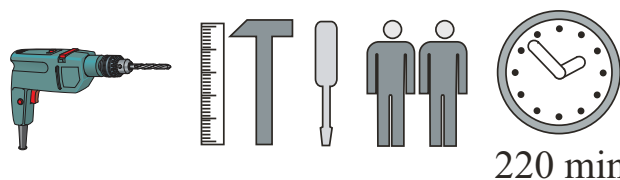


LIAM-___LM SB

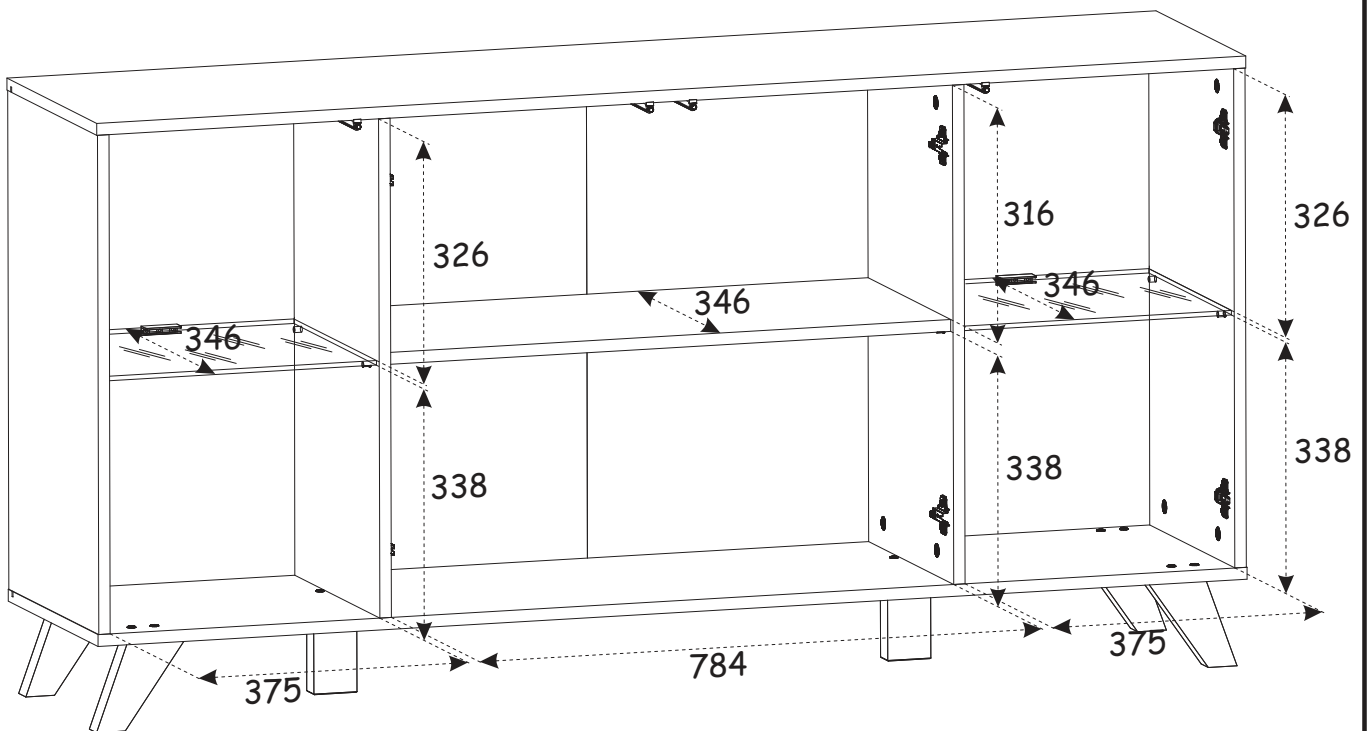
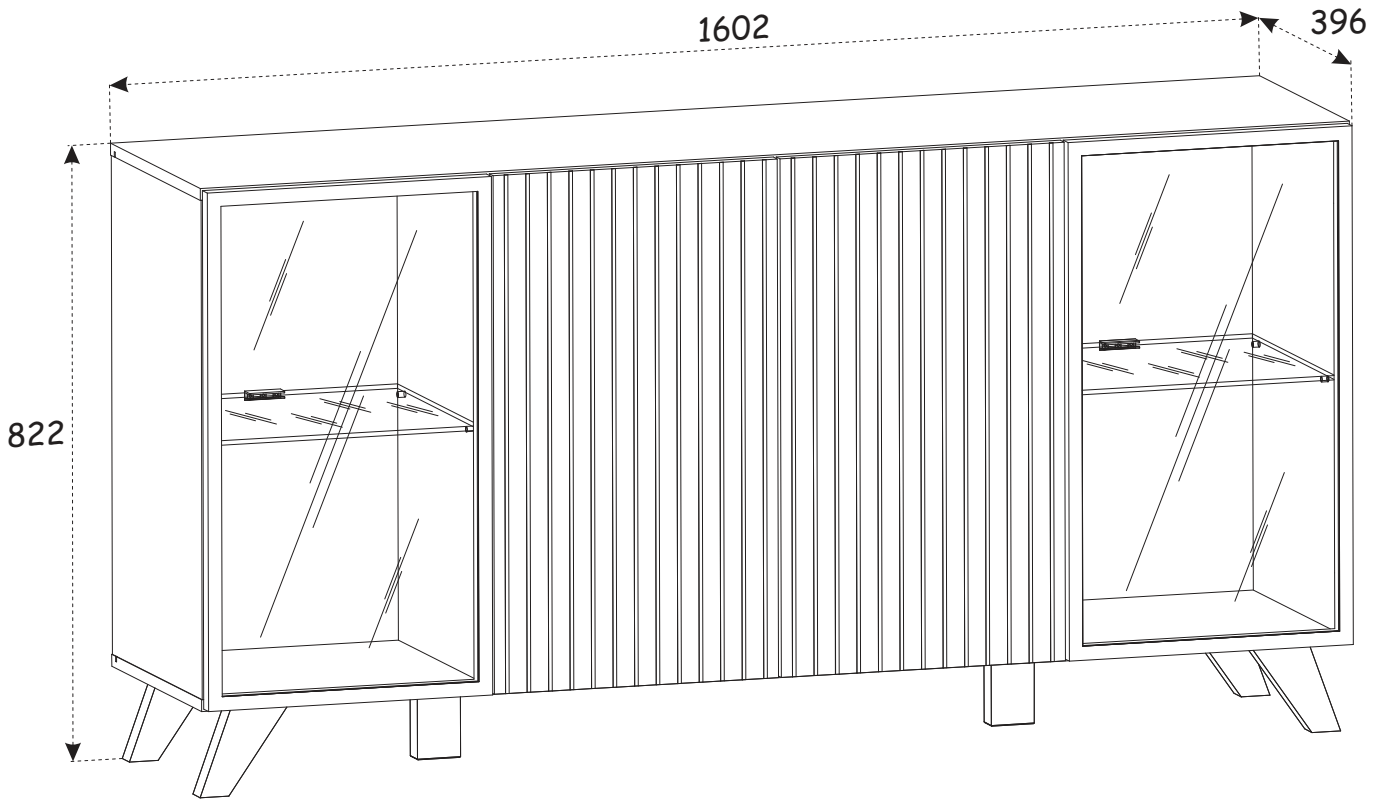


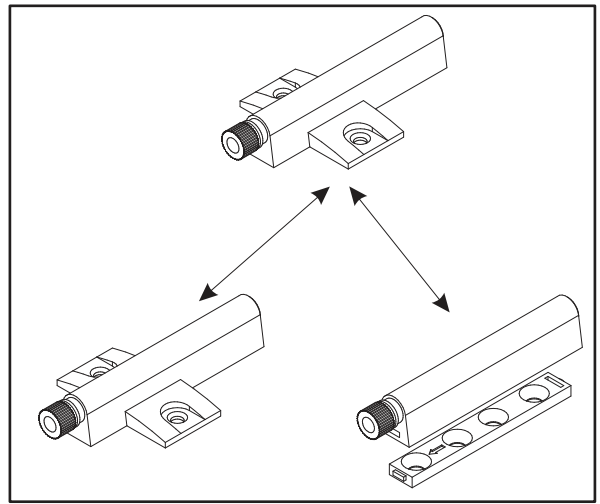
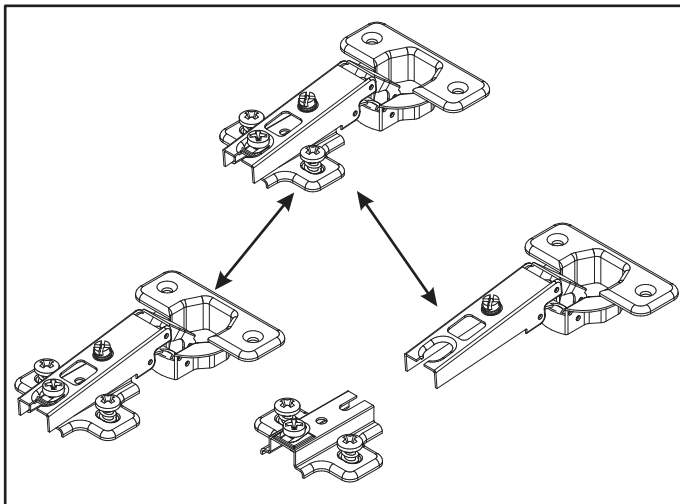
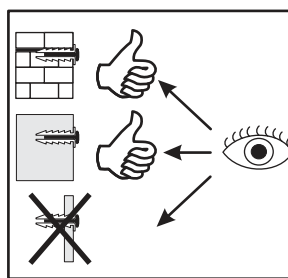
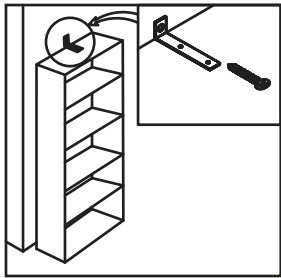
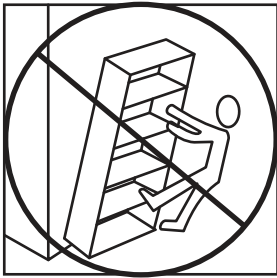
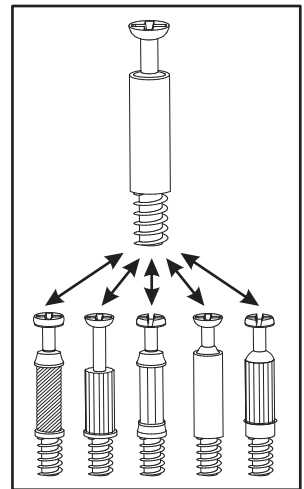
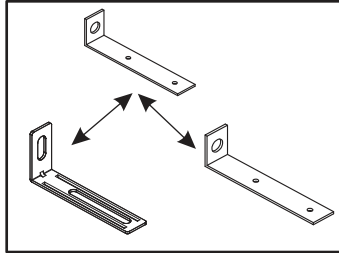
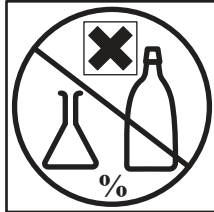
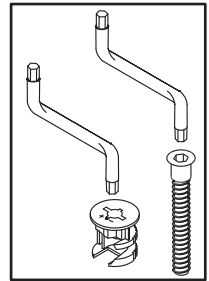
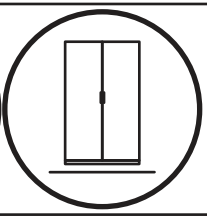
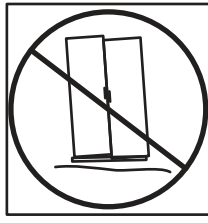
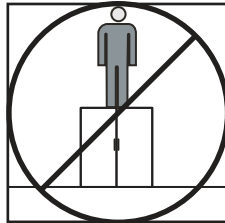
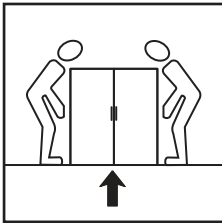
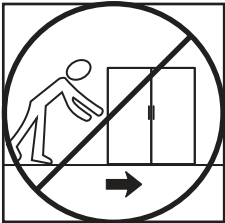
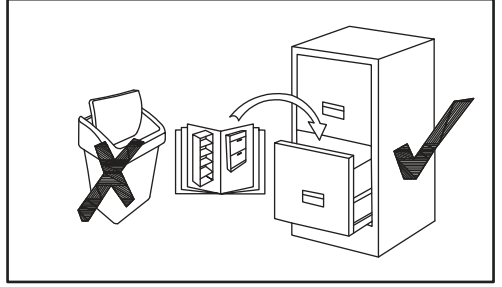
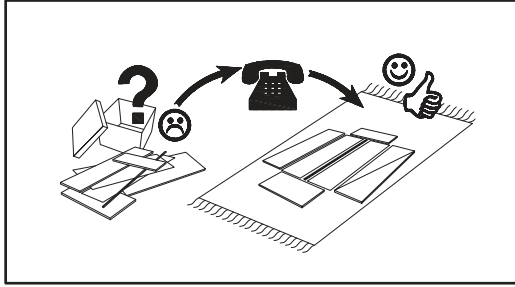
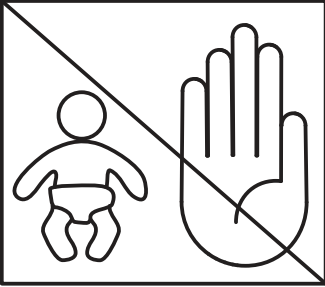
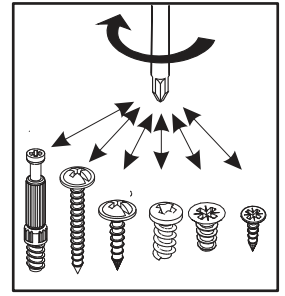
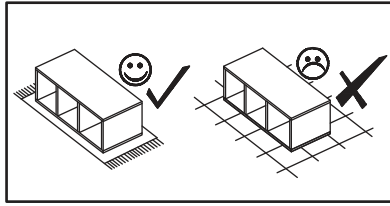
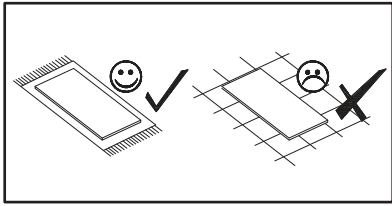
NO	Dim (mm)			Col.-No	Qty
1	1602	376	16	2/2	1
2	1602	376	16	2/2	1
3	670	376	16	2/2	2
4	670	356	16	2/2	2
5	696	396	16	1/2	2
6	696	396	21	1/2	2
7	784	346	16	1/2	1
8	375	346	6	1/2	2
9	682	390	3	1/2	2
10	682	400	3	1/2	1
11	682	400	3	1/2	1



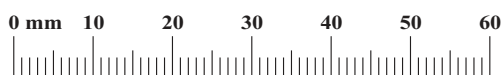
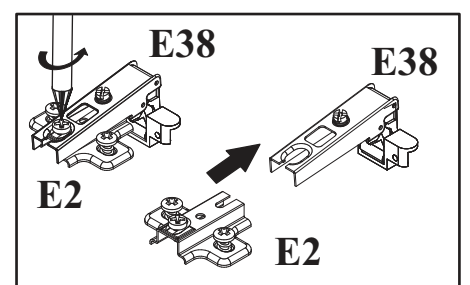
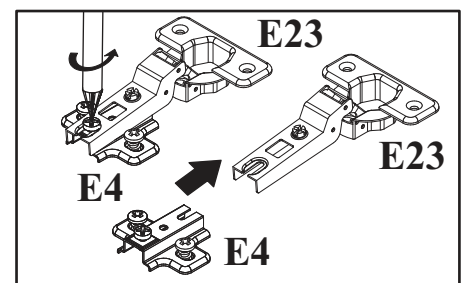
220 min

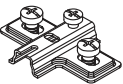
LIAM- __ LM SB

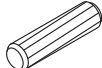


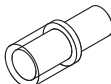



A1 x16 Ø8x36	B11 x12 Ø7x50	G4 x12	B4 x16	B5 x16 Ø15x12	G5 x16
E23 x4 Ø35 H=8	E4 x4 H=2	E38 x4 H=0	E2 x4 H=0	S1 x22	G16 x8
G7 x4	G20 x8	SK x4 H=120	SP x2 H=120	T3/T5 x4	LED x1 1x2
D10 x18 USØ3,5x13	UP13 x8 UPØ3x16	KR1 x1 Ø8	L1 x1	G2 x1	



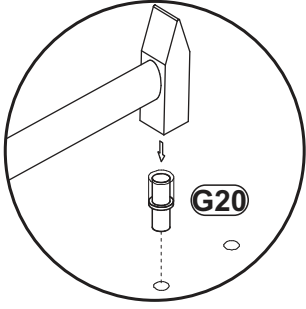
E2	
x2	H=0

A1	
x8	ø8x36

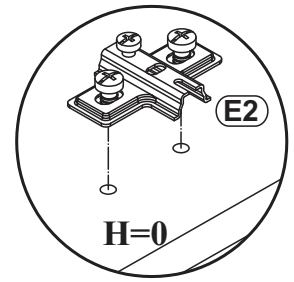
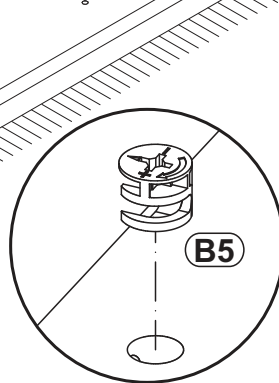
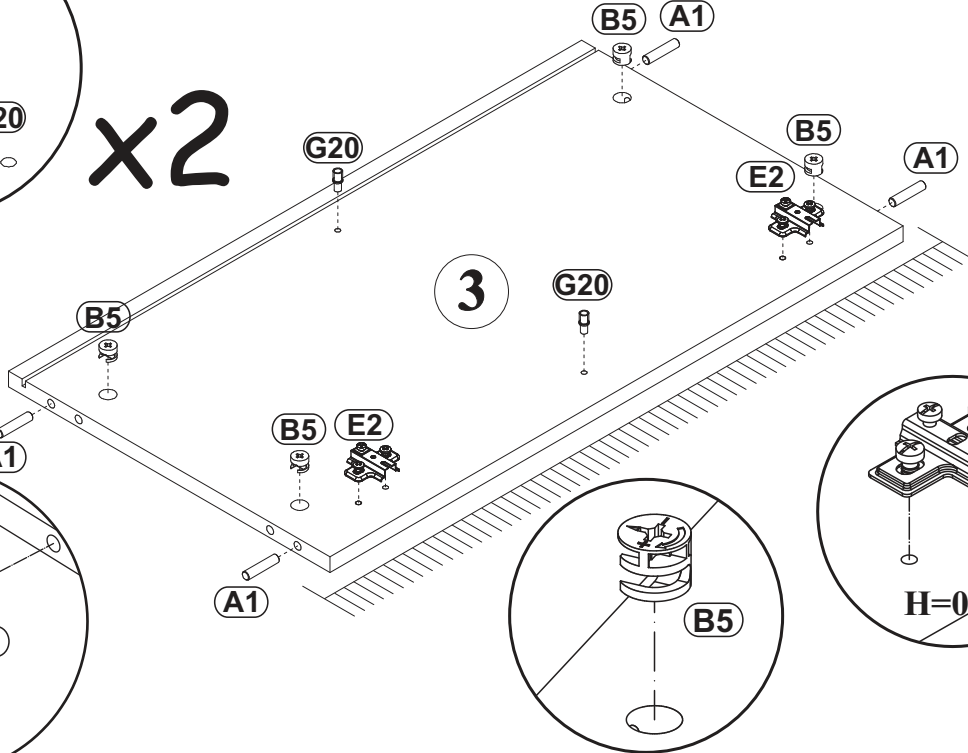
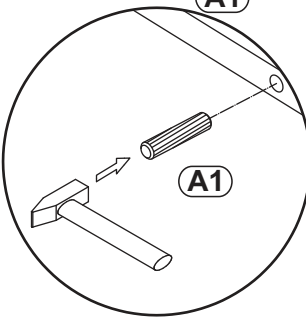
G20	
x4	

B5	
x8	Ø15x12

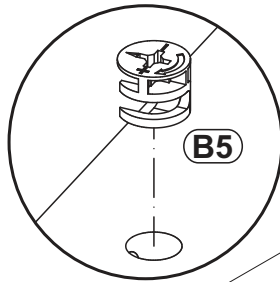
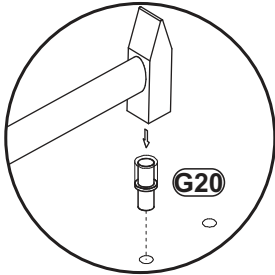
1

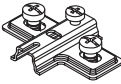


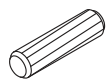
x2

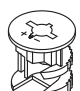


2



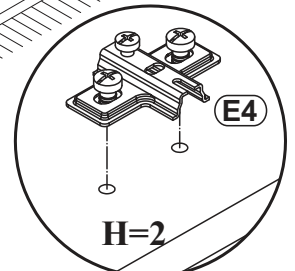
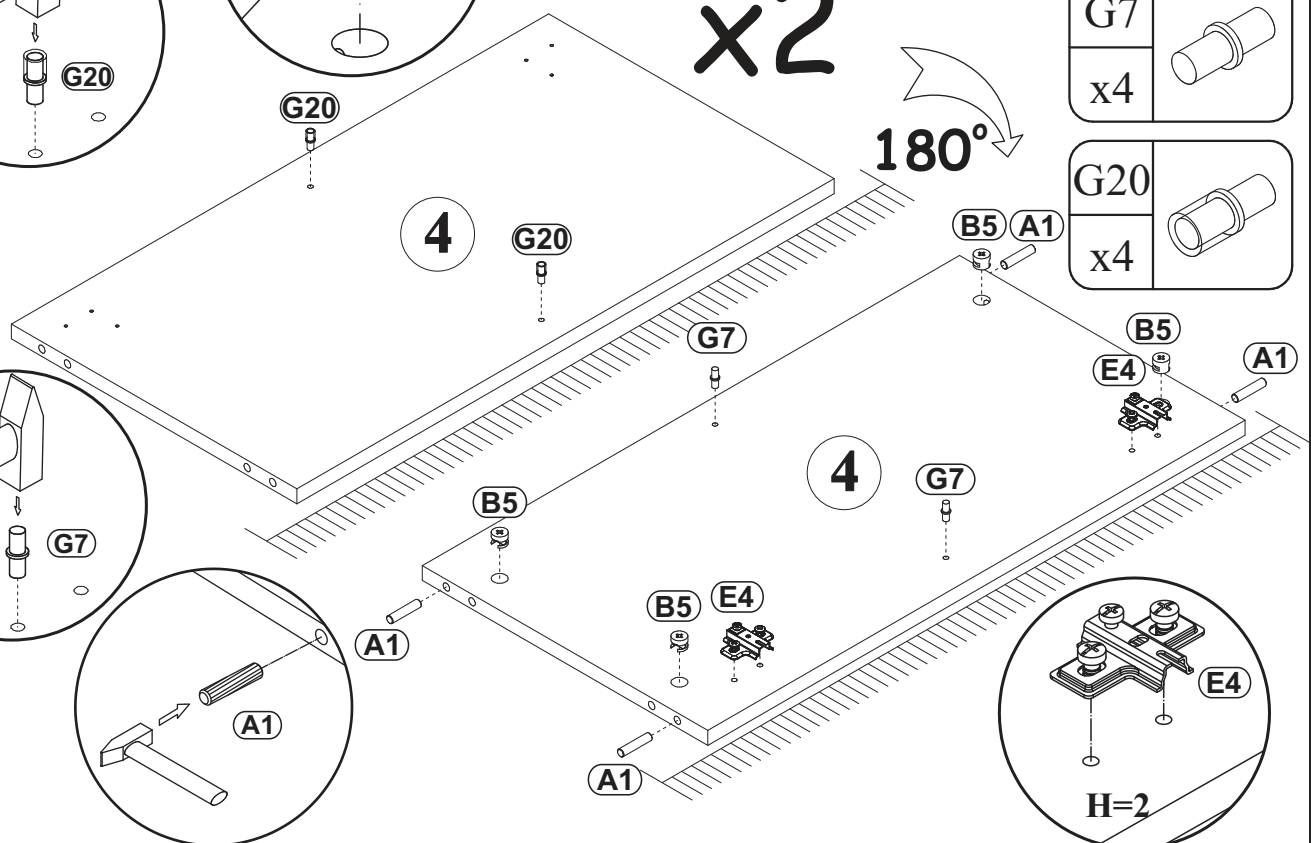
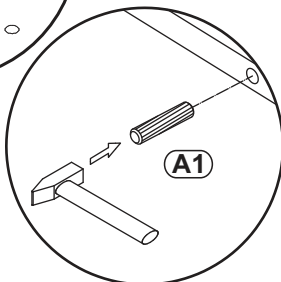
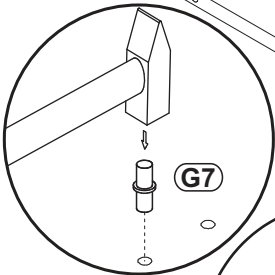
E4	
x4	H=2

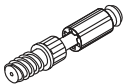
A1	
x8	ø8x36

B5	
x8	Ø15x12

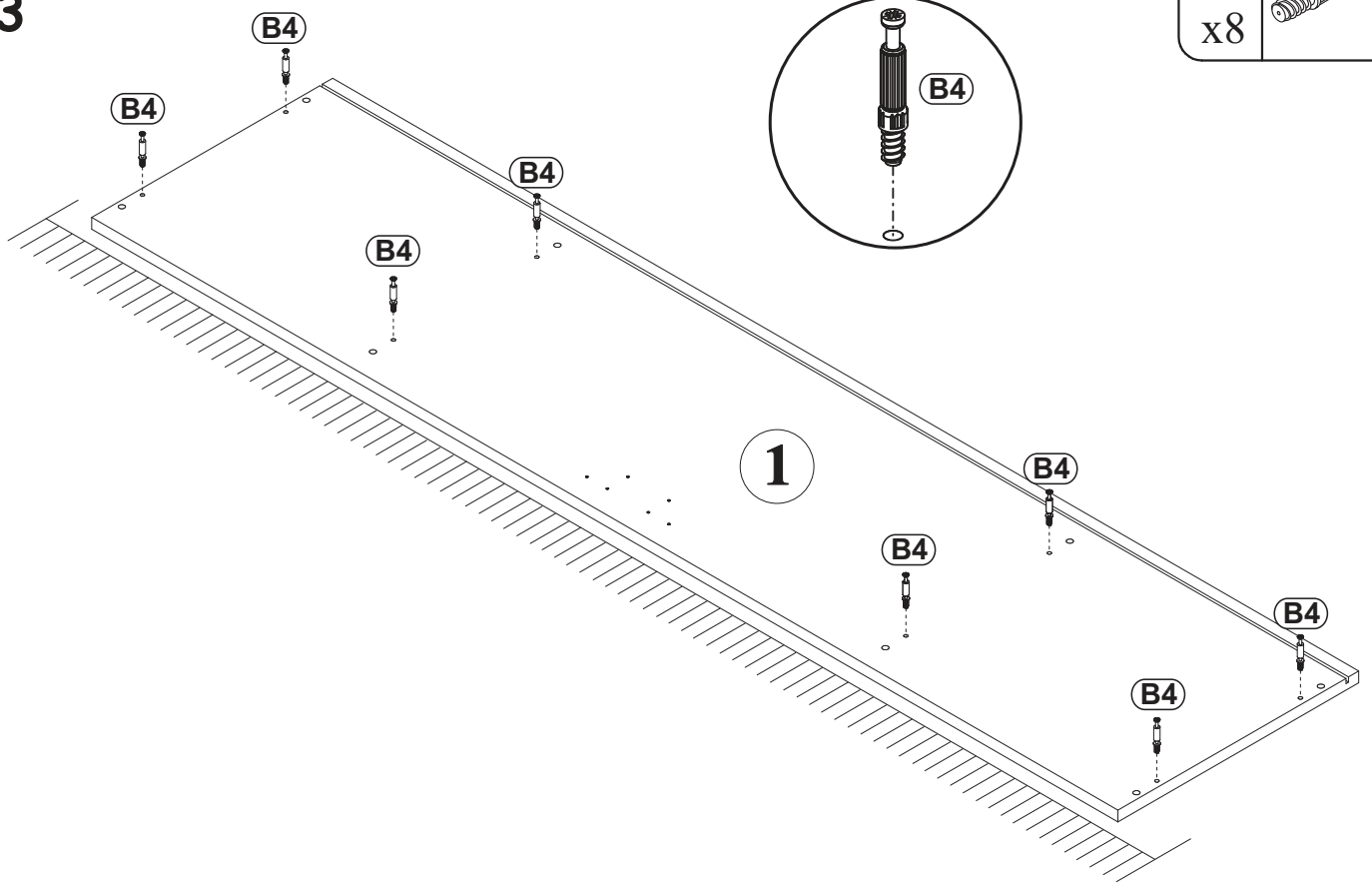
x2

180°




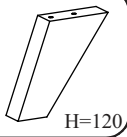



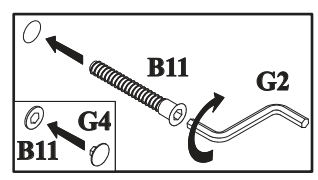
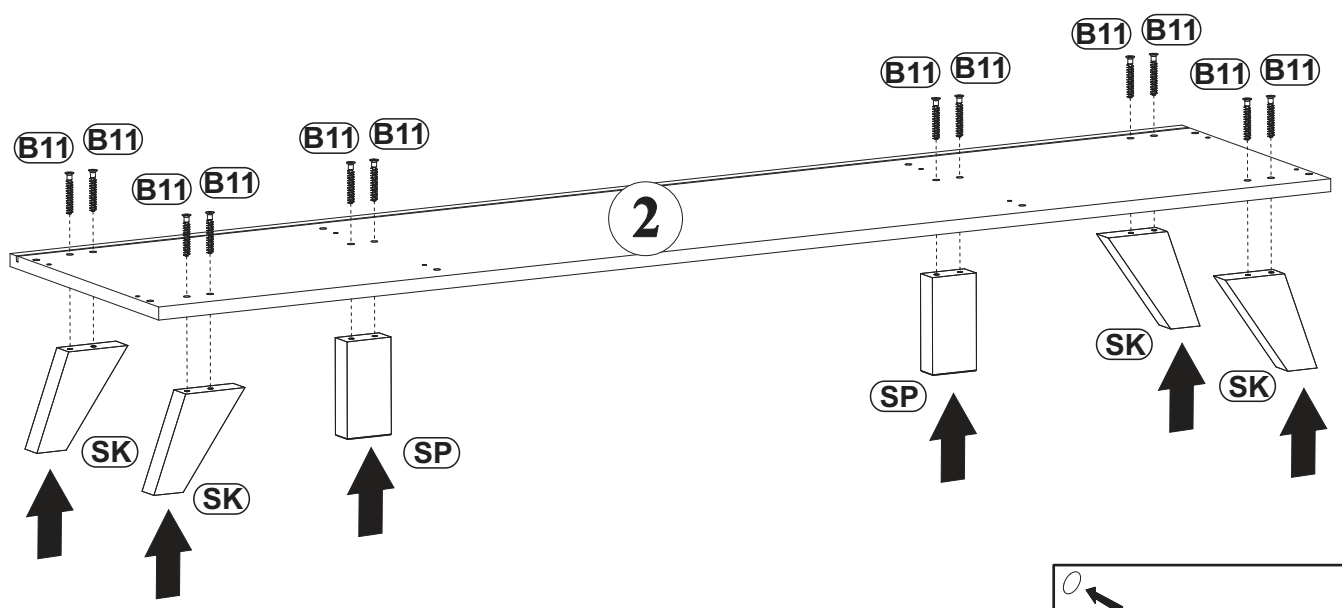
B4	
x8	

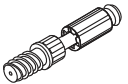
3



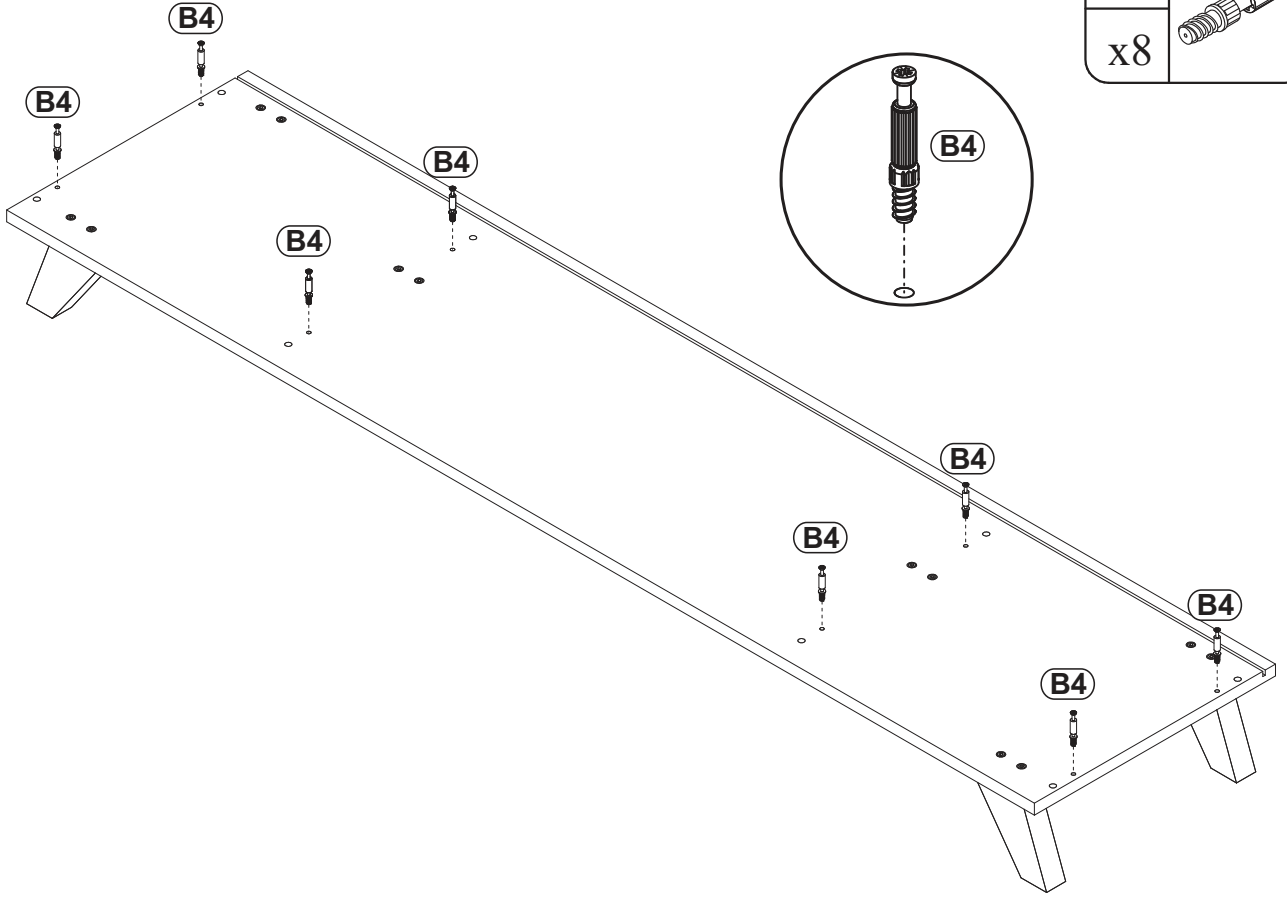
4

G2		B11	 Ø7x50	G4		SK	 H=120	SP	 H=120
x1		x12		x12		x4		x2	

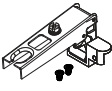



B4	
x8	

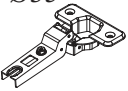
5



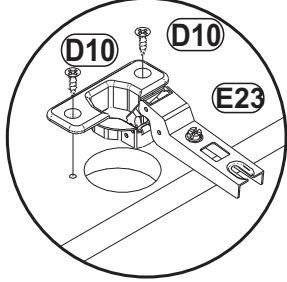
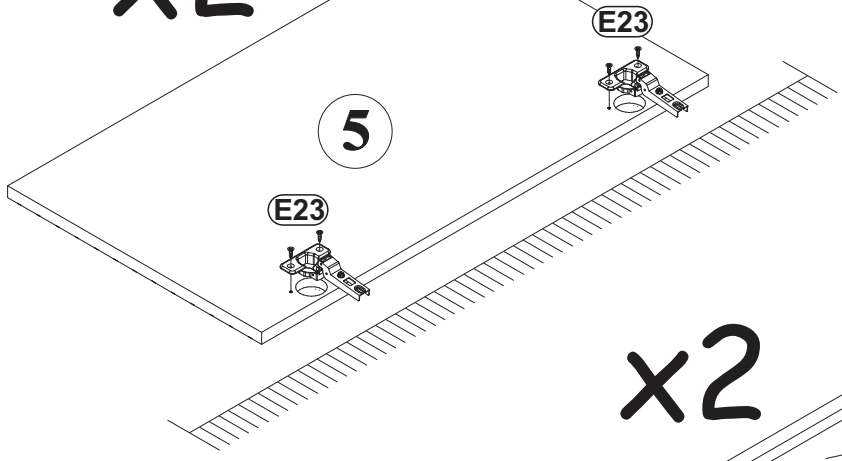
6

E38	
x2	H=0

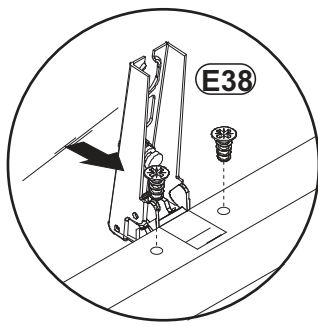
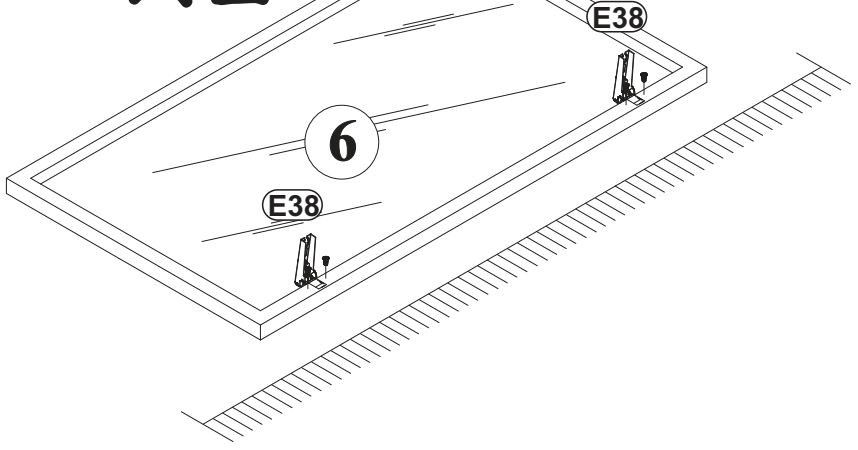
D10	
x8	USØ3,5x13

E23	
x4	Ø35 H=8

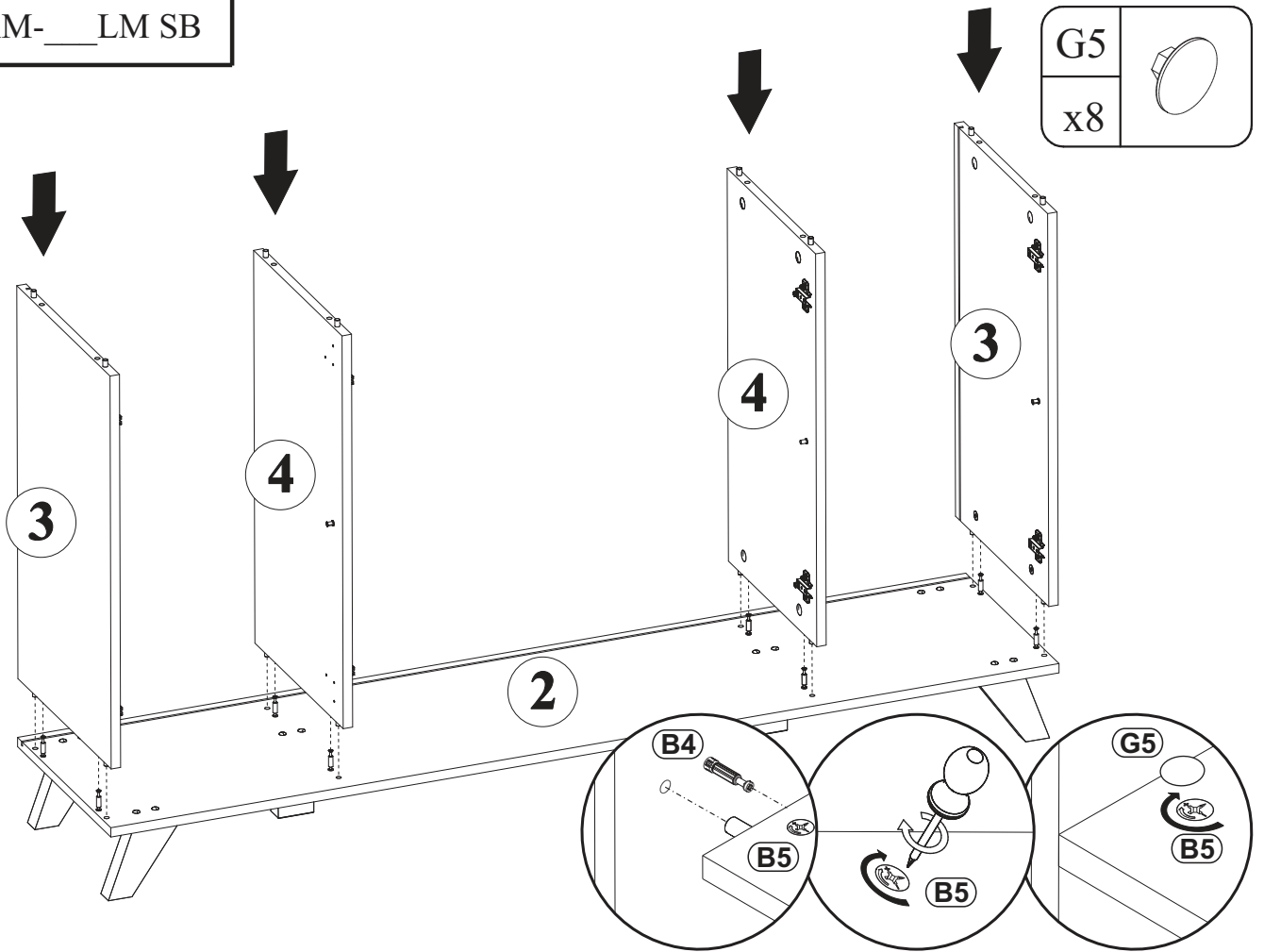
x2



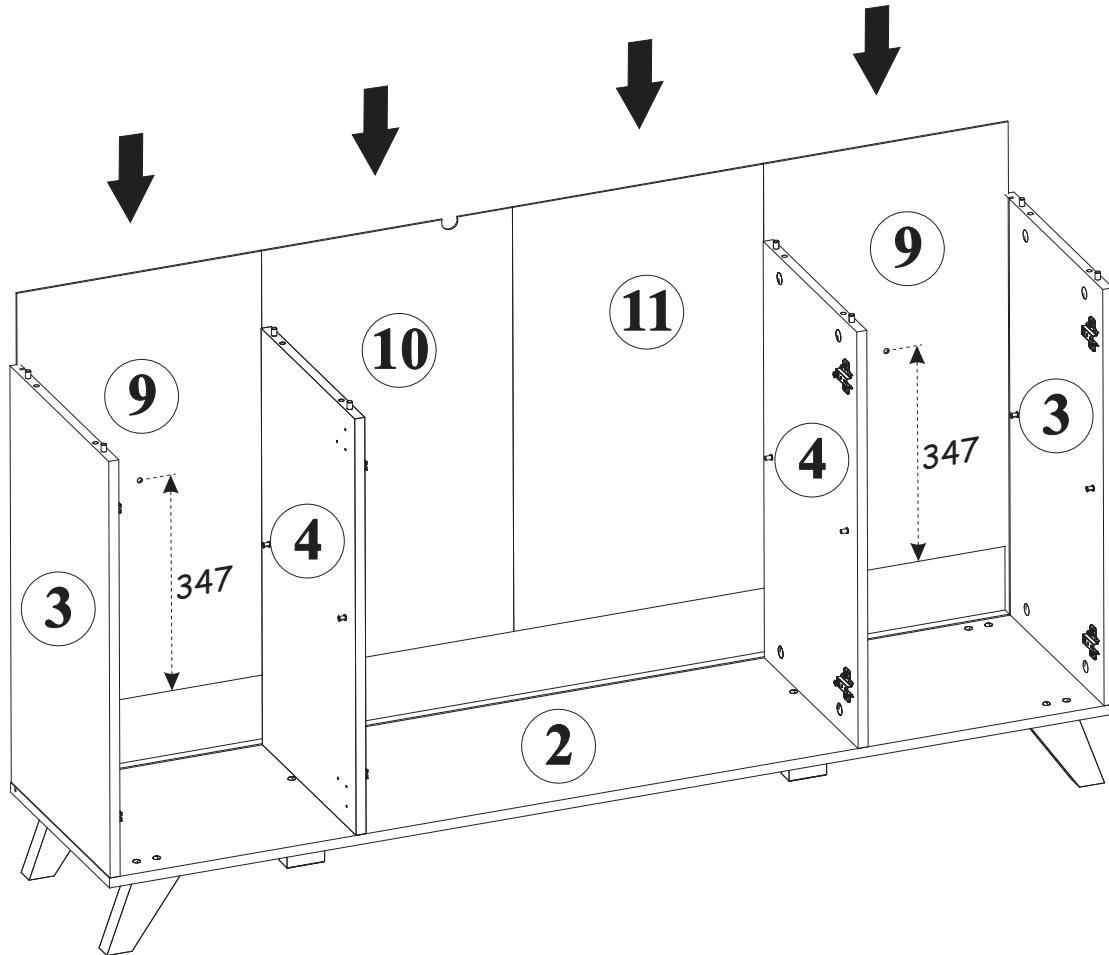
x2



7




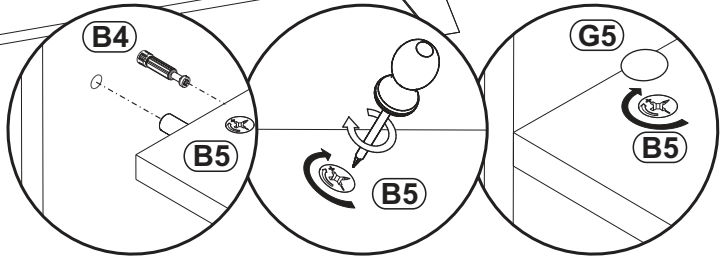
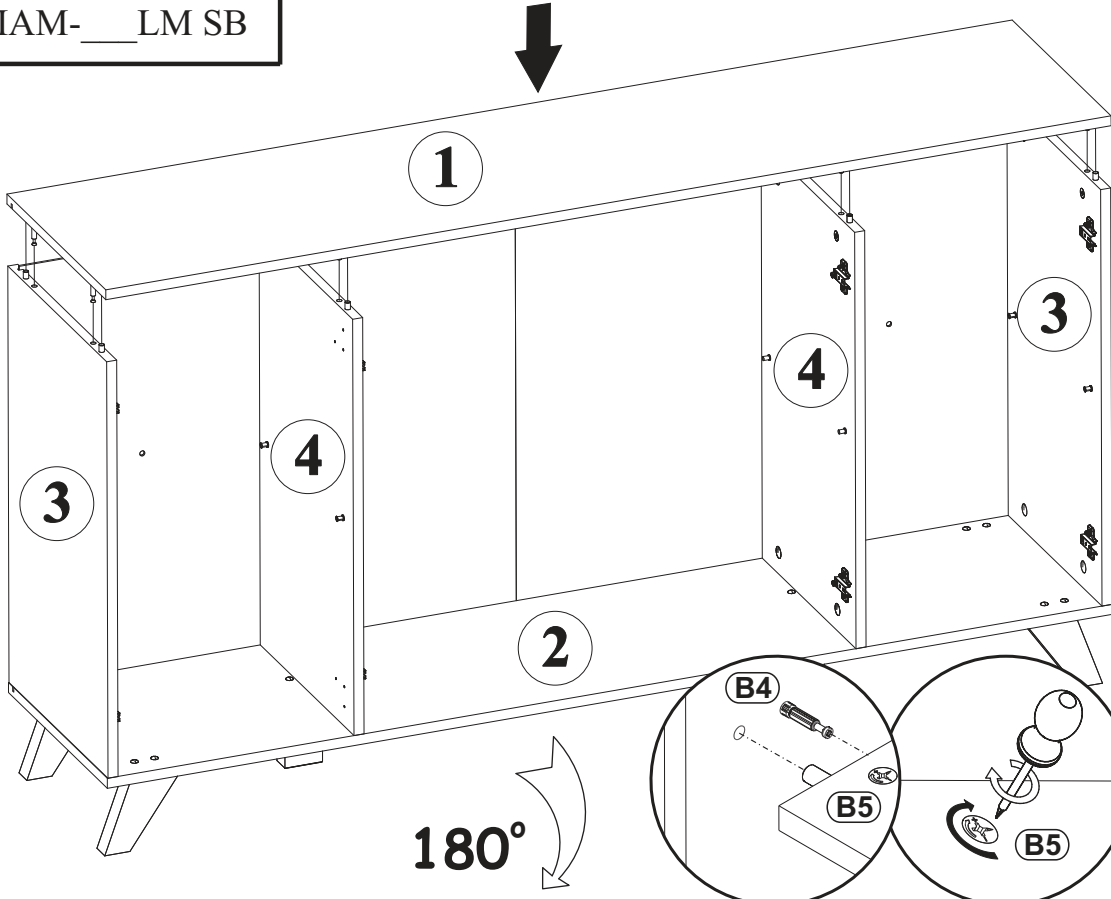
8



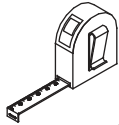
LIAM-__LM SB

9


G5	
x8	

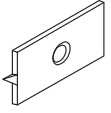


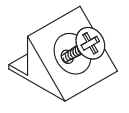
10

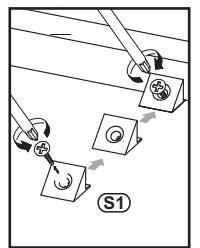
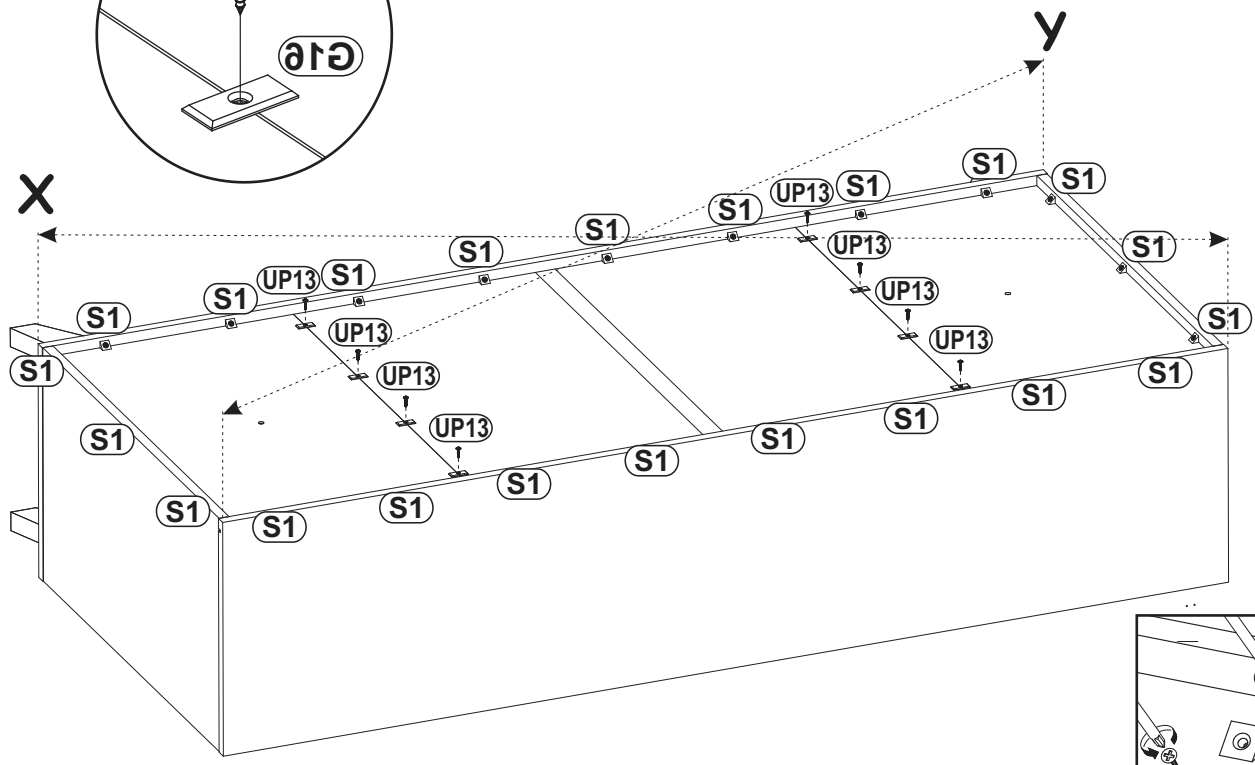
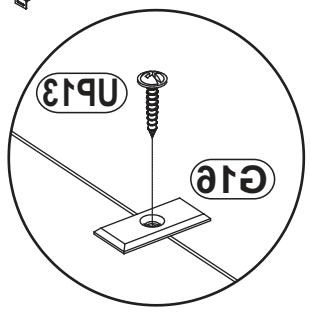


X=y 90°

UP13	
x8	UP03x16

G16	
x8	

S1	
x22	



11

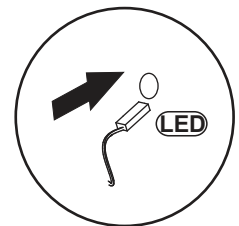
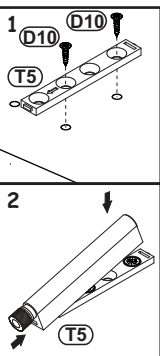
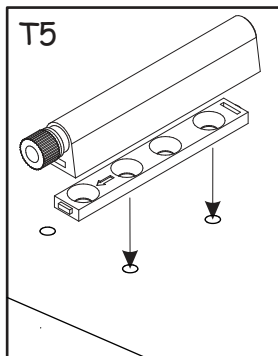
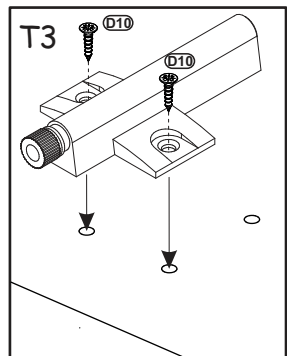
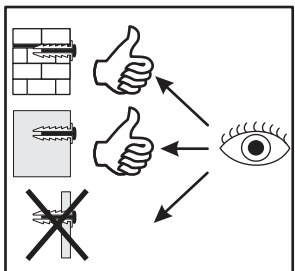
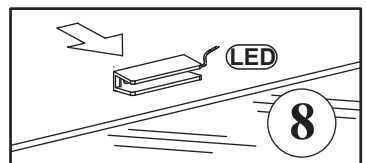
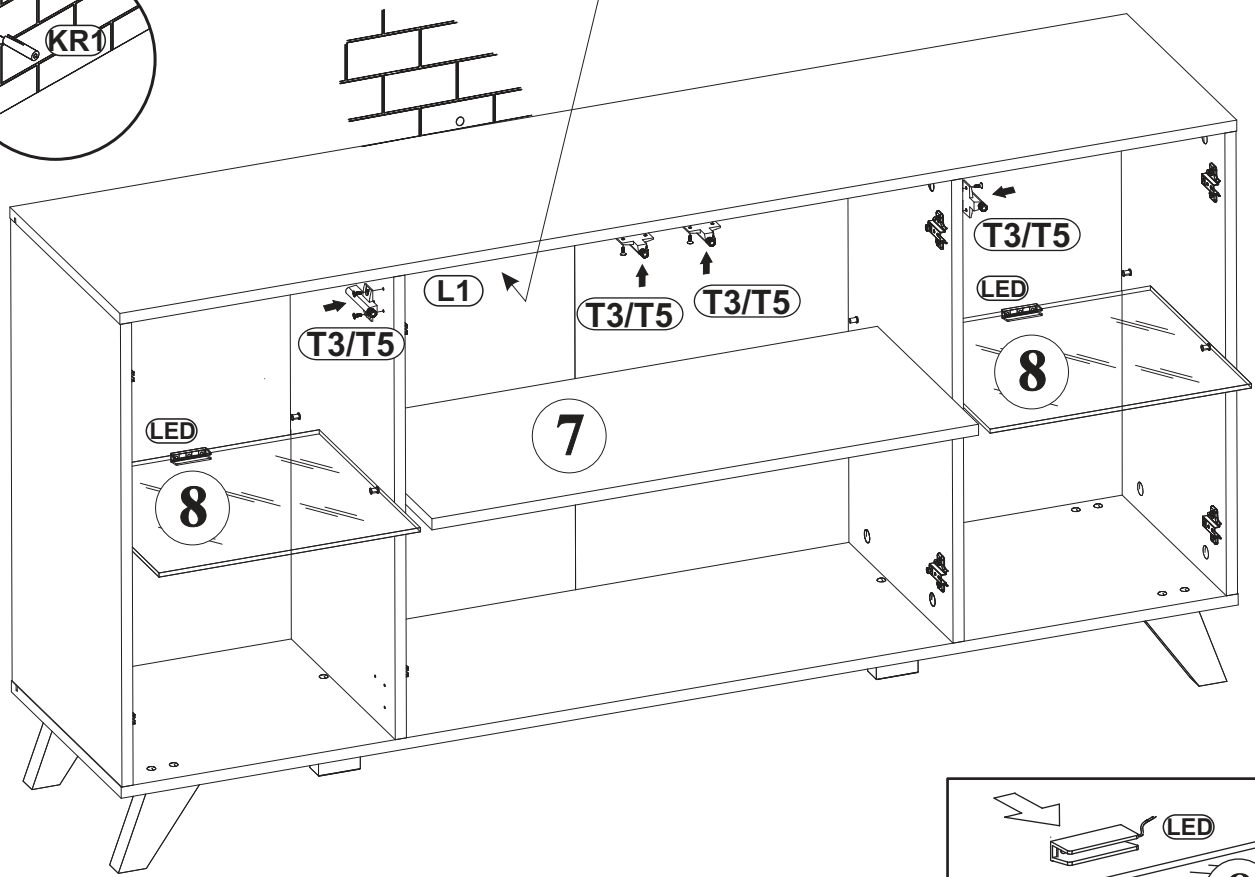
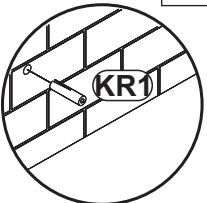
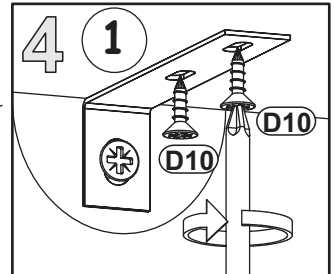
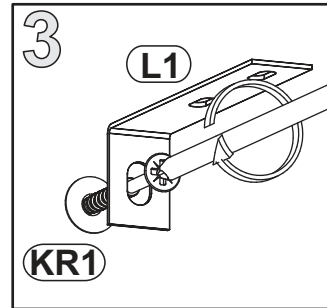
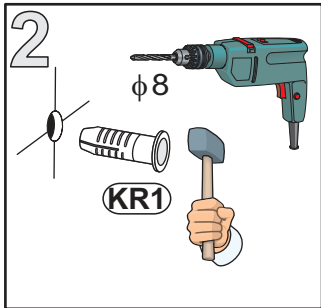
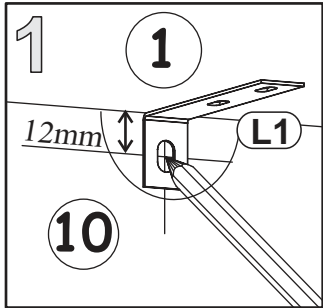
LED	
x1	1x2

D10	
x10	USØ3,5x13

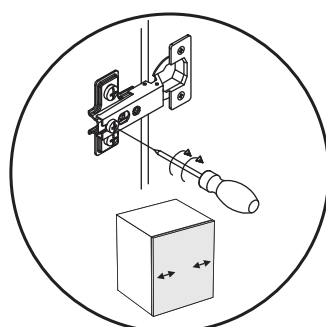
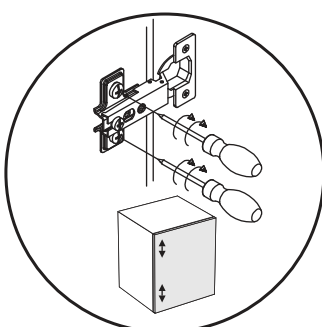
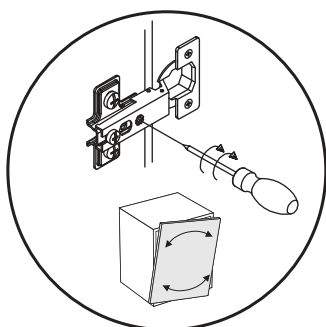
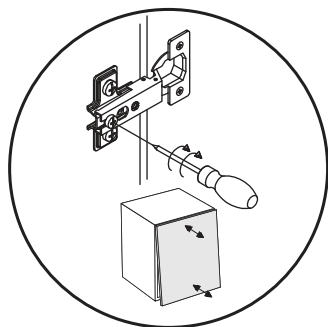
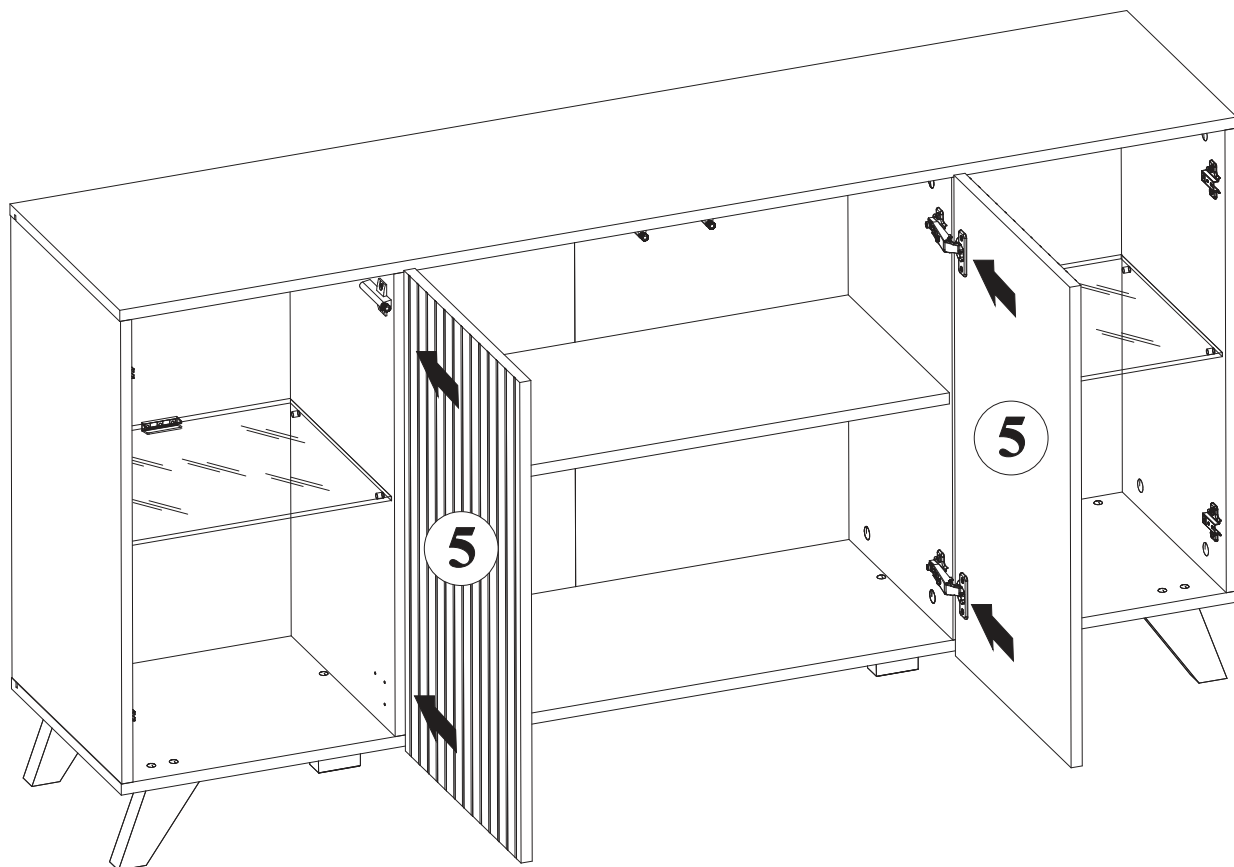
KR1	
x1	Ø8

L1	
x1	

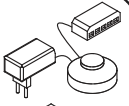

T3/T5	
x4	

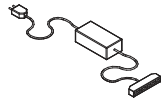


12



13

LED	
x1	1x2 



LED

