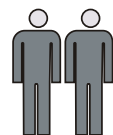
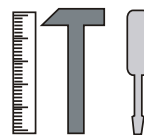
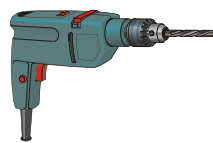
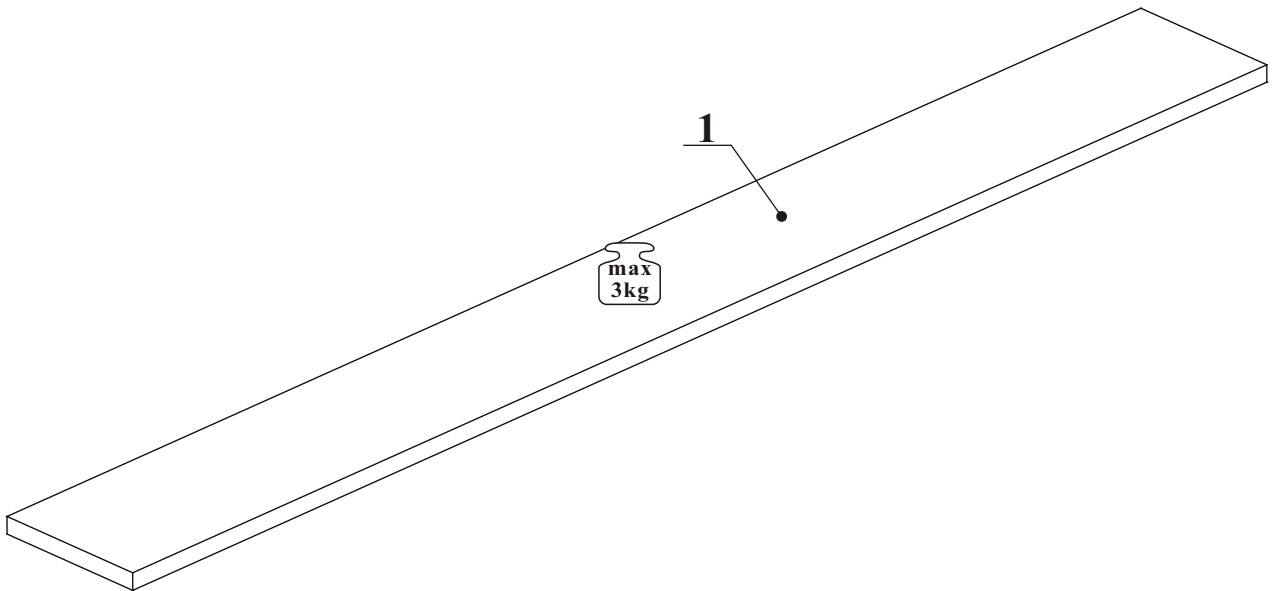
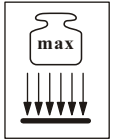


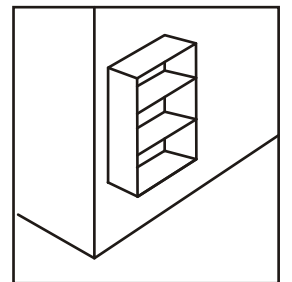
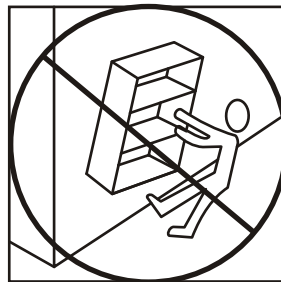
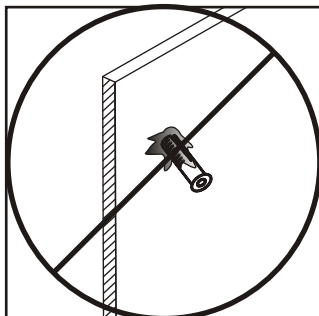
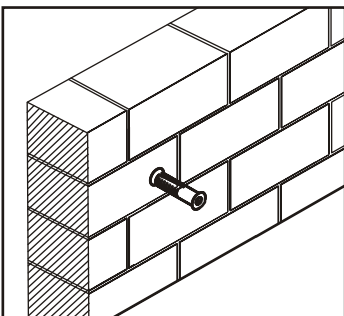
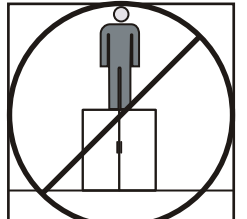
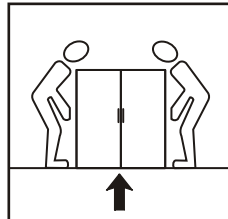
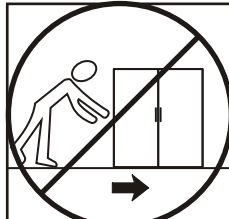
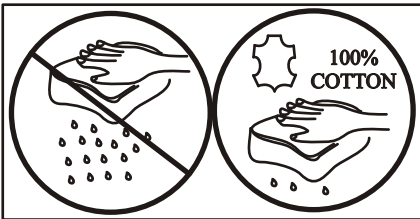
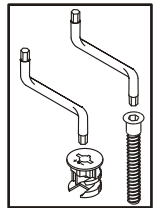
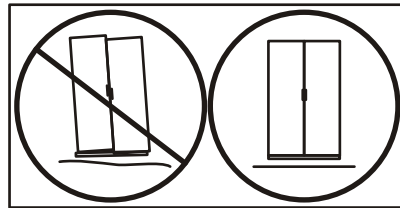
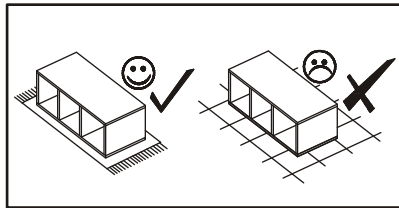
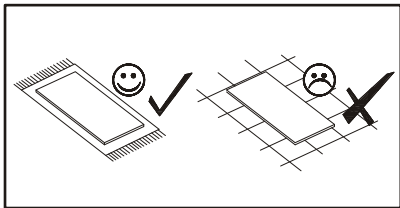
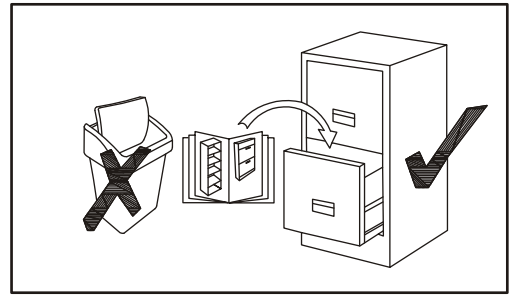
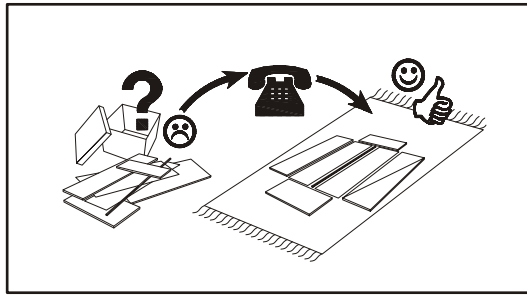
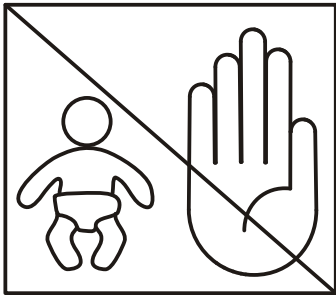
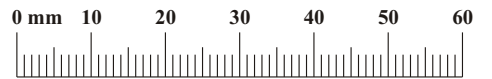
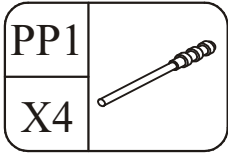
SWITCH PW 1



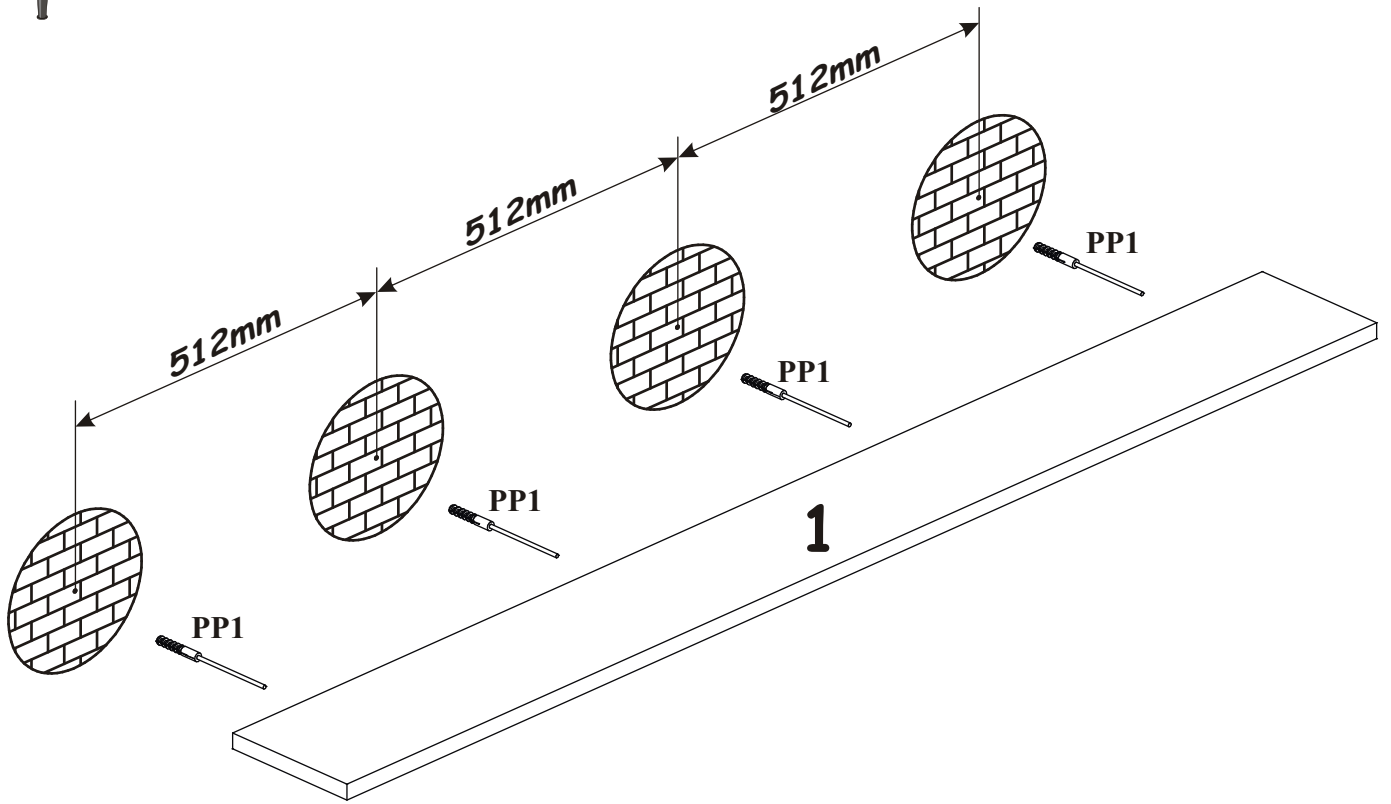
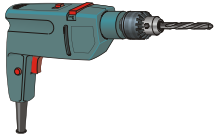
10 min

NO	Dim.	Col.-No	Qty
1	1802 200	1	1

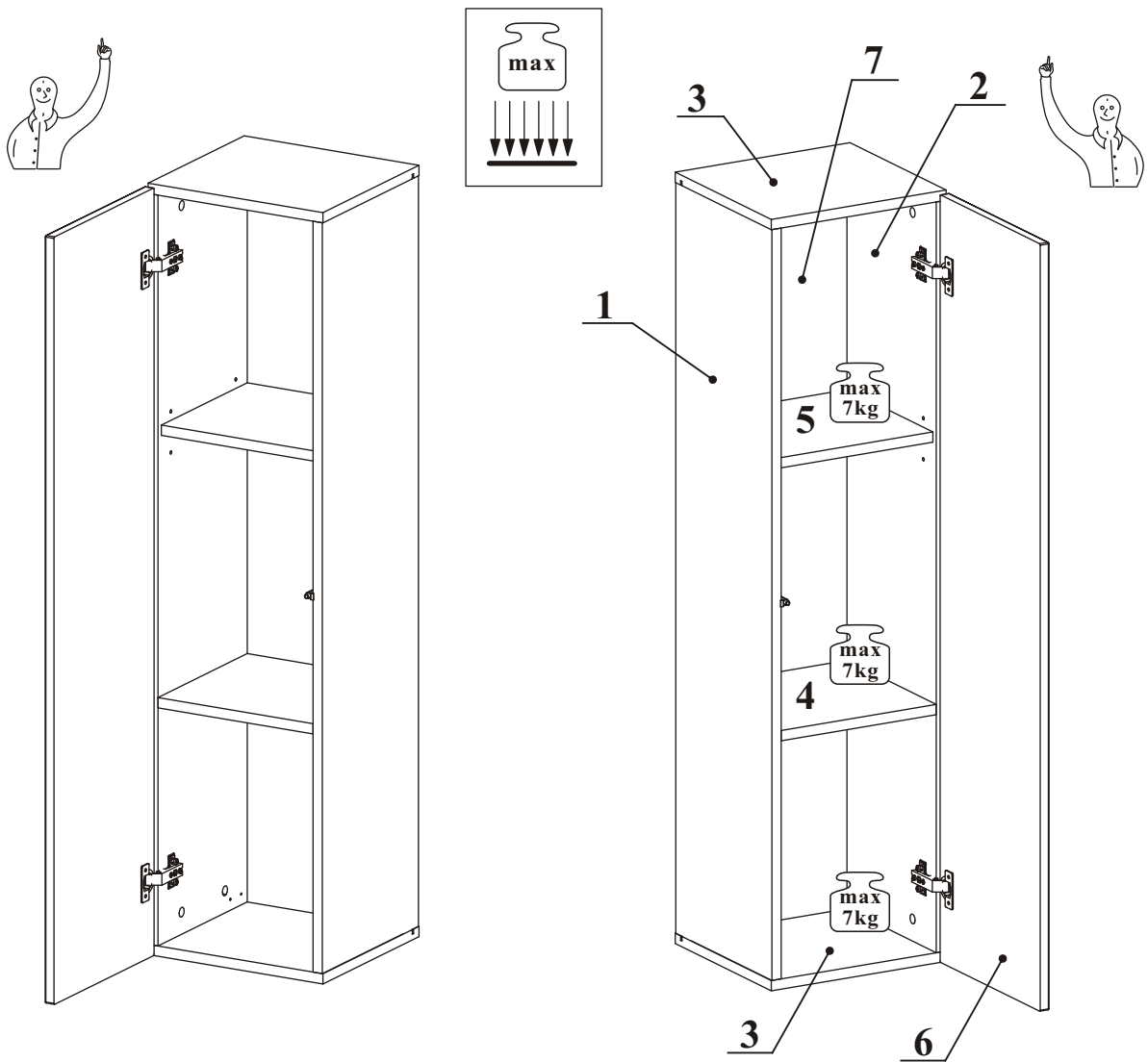
SWITCH PW 1



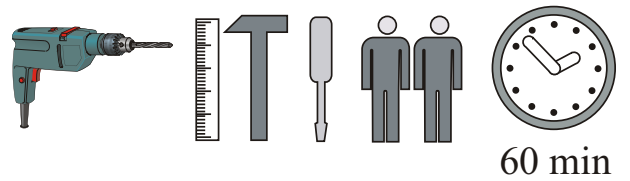
SWITCH PW 1



SWITCH SW2



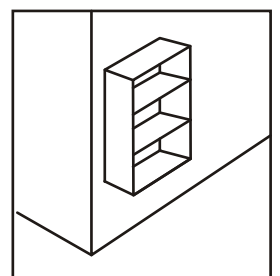
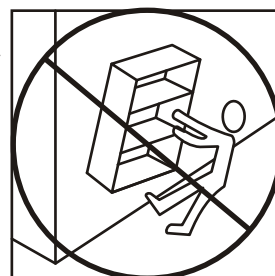
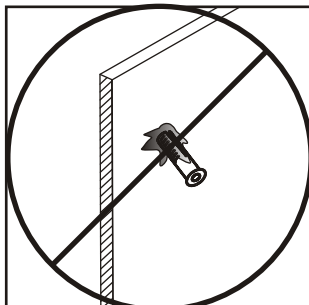
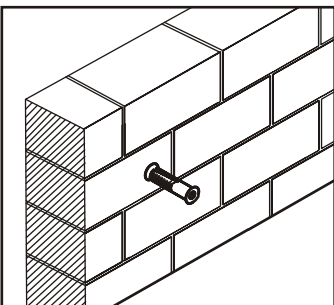
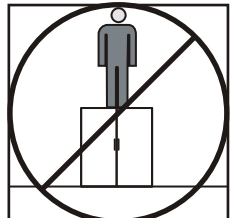
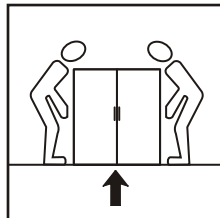
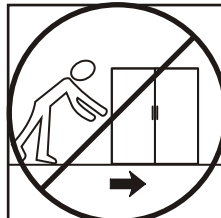
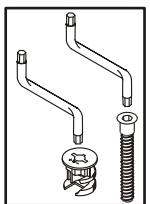
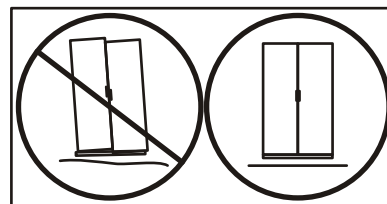
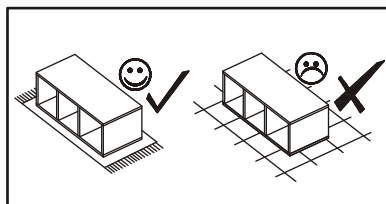
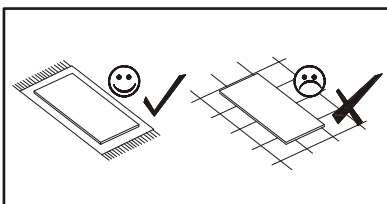
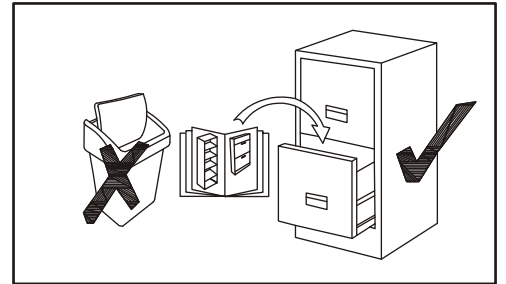
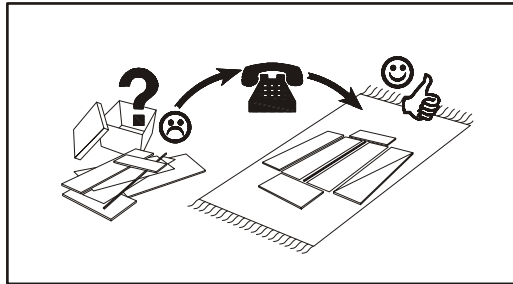
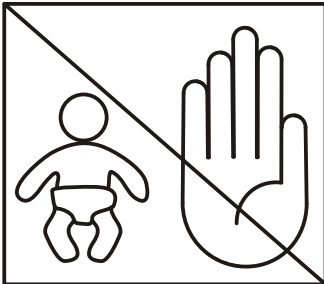
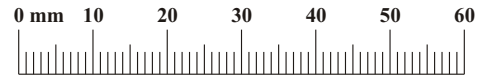
NO	Dim.		Col.-No	Qty
1	1170	284	1	1
2	1170	284	1	1
3	302	284	1	2
5	268	254	1	1
4	268	264	1	1
7	1182	280	1	1
6	296	1196	1	1



60 min

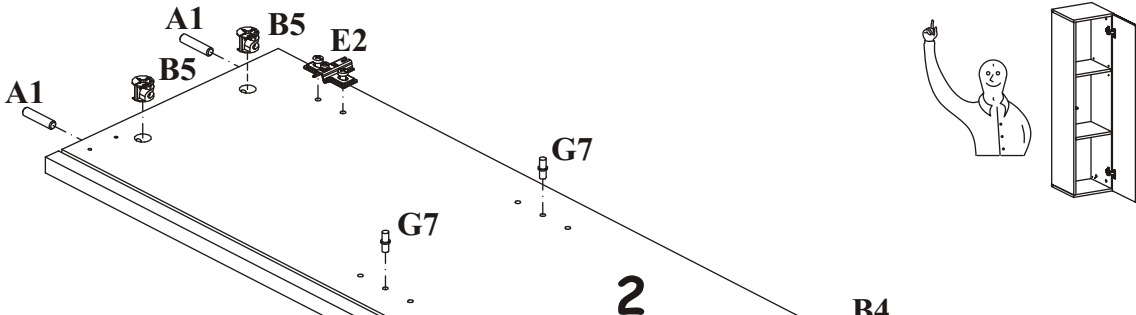
SWITCH - SW2

A1 X12 ø8x36	B4 X12	G5 X12	B5 X12 ø15x12	G7 X4	S1 X10
Z2 X4 ø5	D10 X6 USØ3,5x13	G2 X1	E1 X2 Ø26 H=0	E2 X2 H=0	ZR1 X2
D6 X4 USØ3,5x30	OD1 X1	KR2 X2			

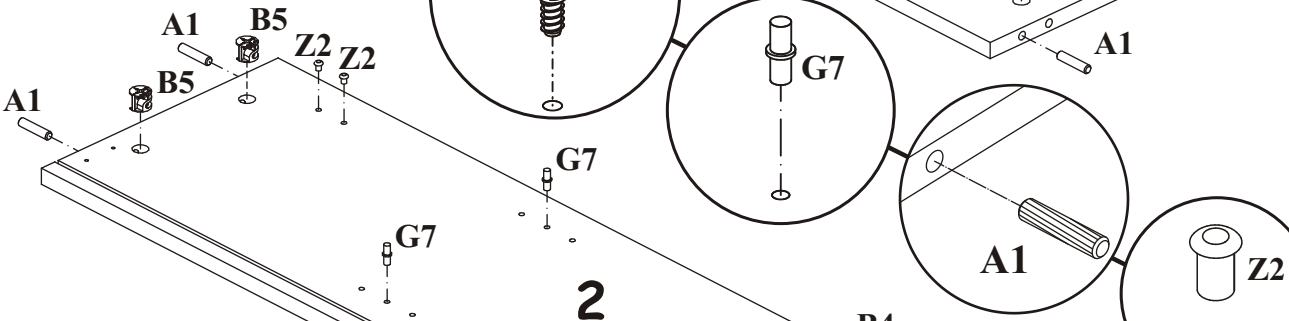
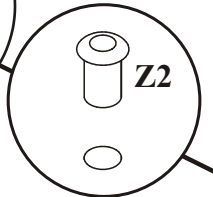
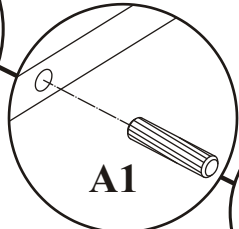
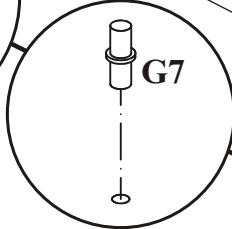
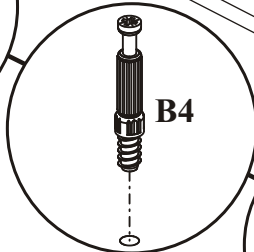
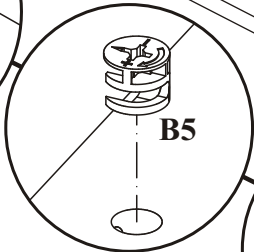
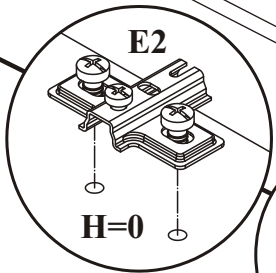
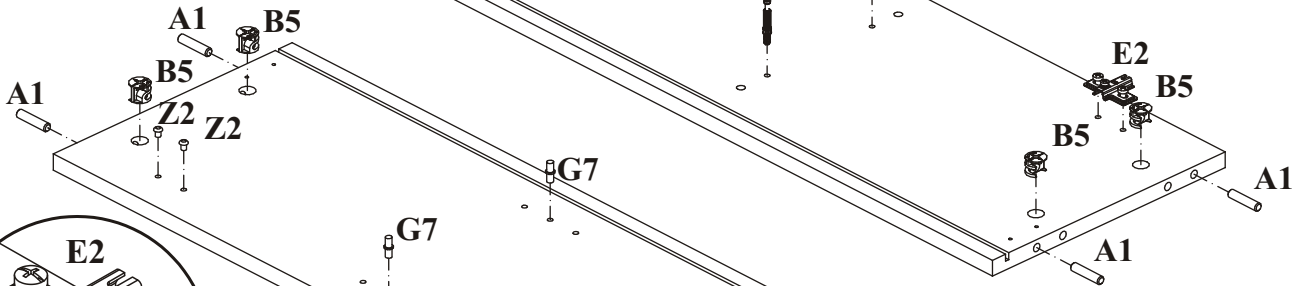


SWITCH - SW2

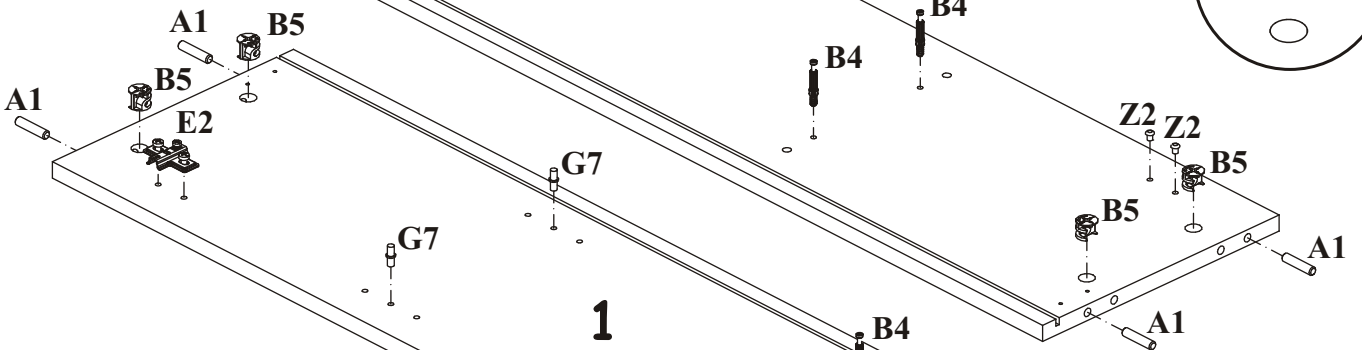
1



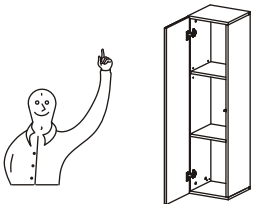
2



2



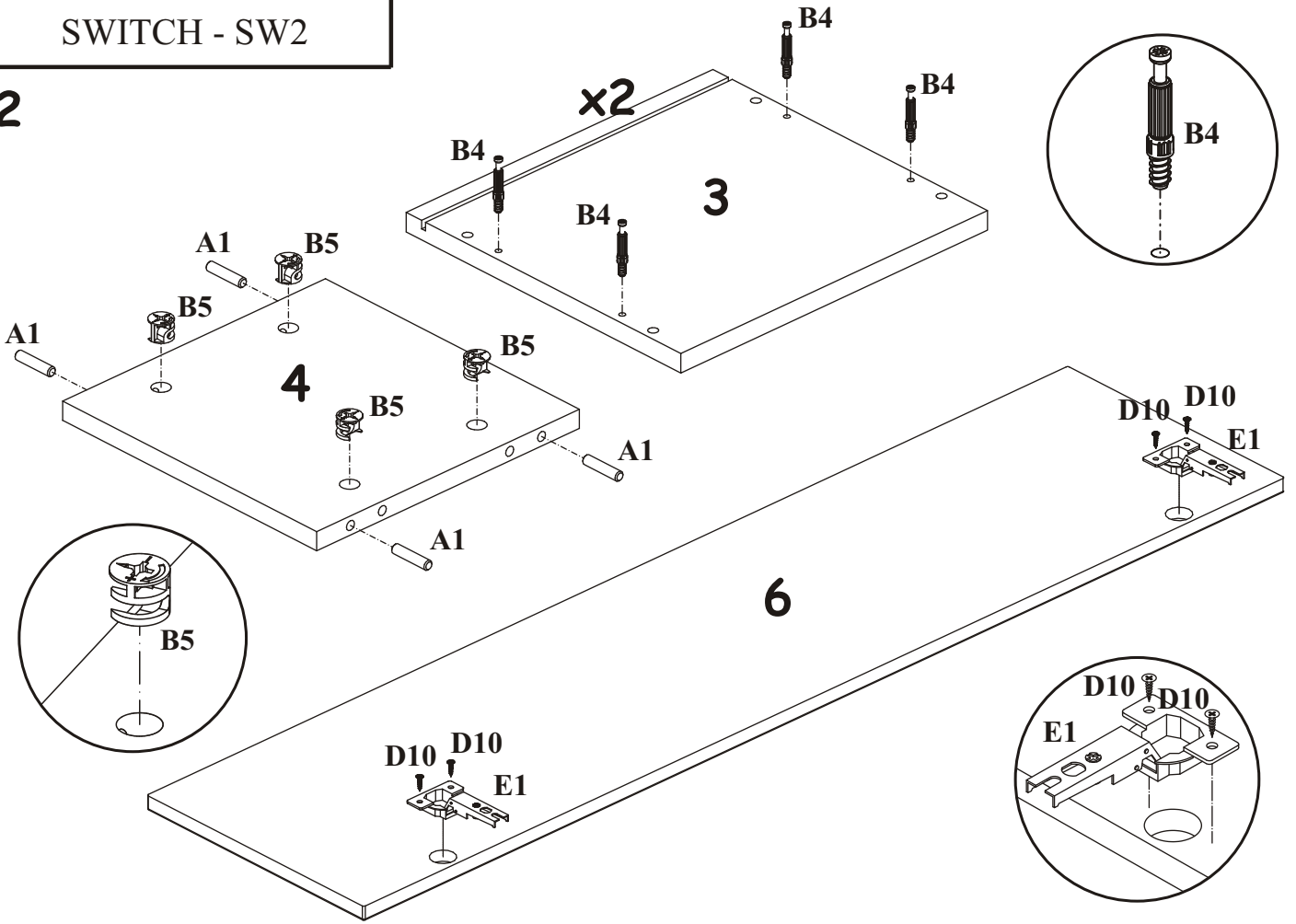
1



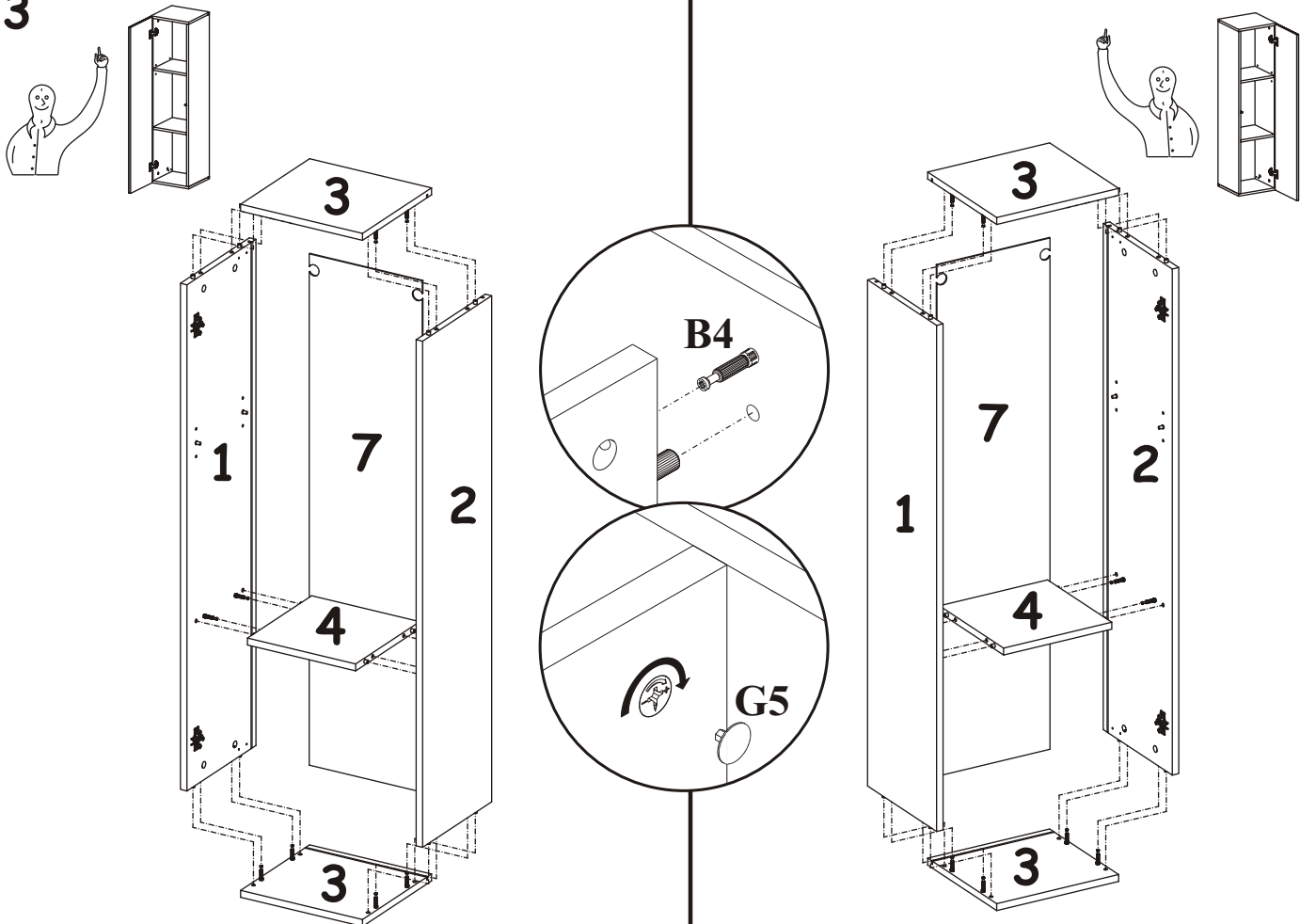
1

SWITCH - SW2

2

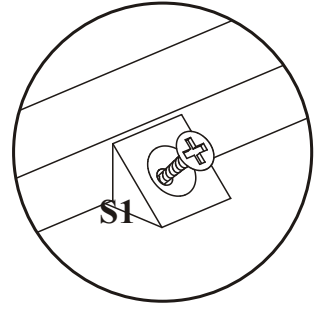
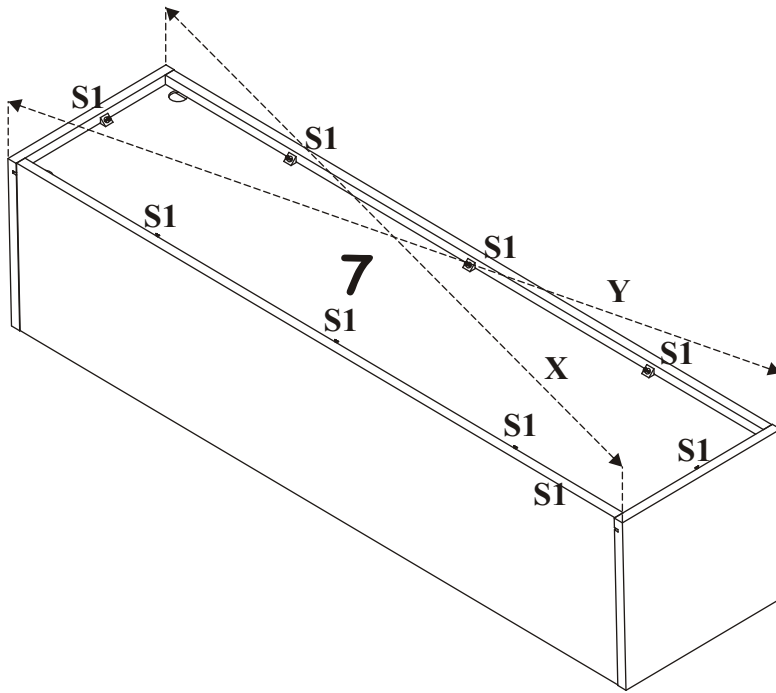


3



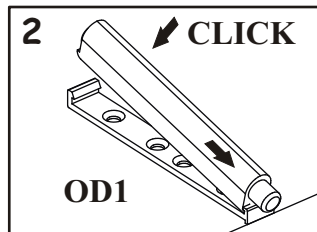
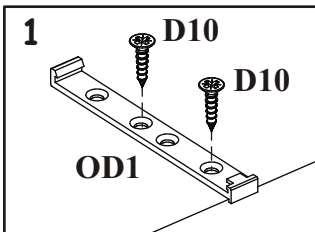
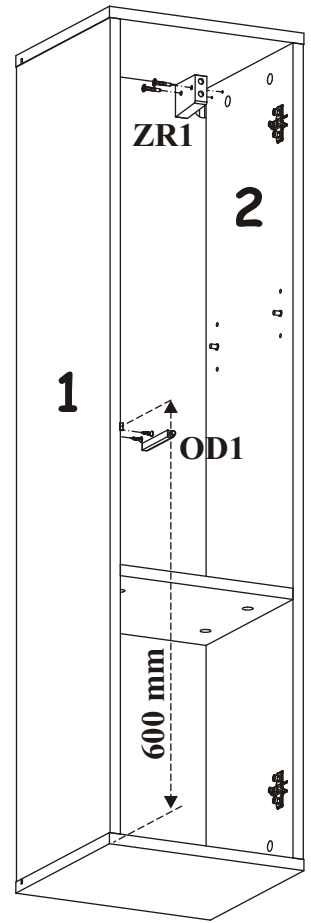
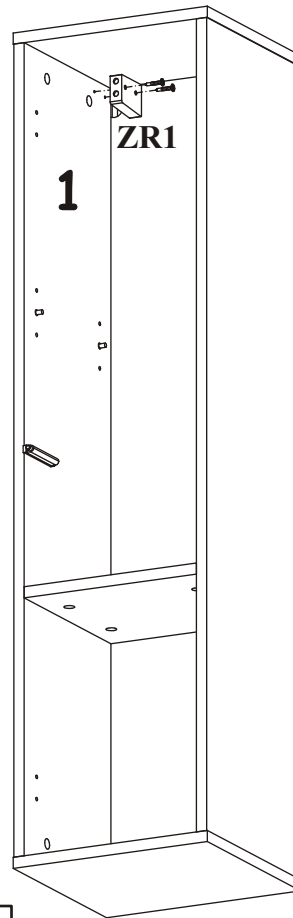
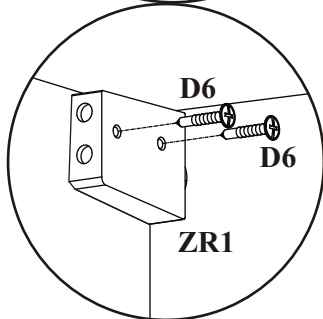
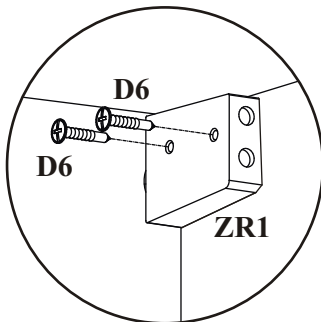
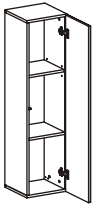
SWITCH - SW2

4



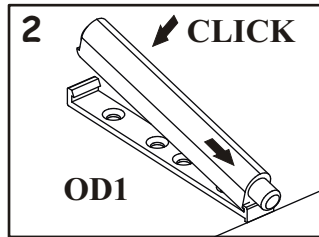
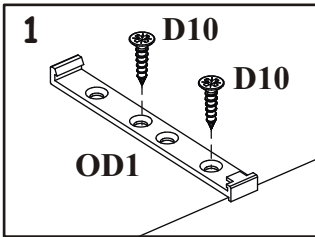
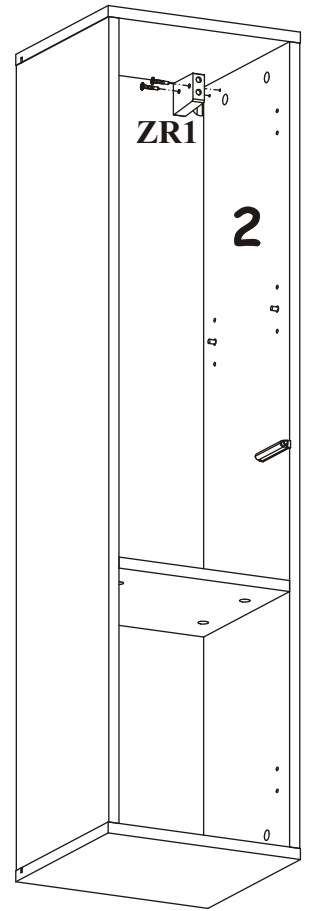
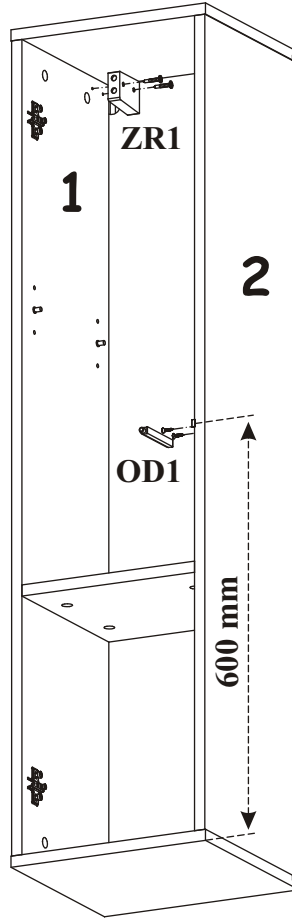
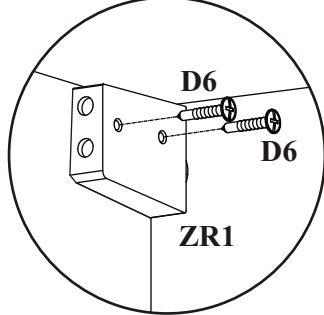
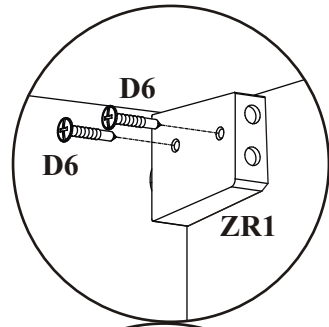
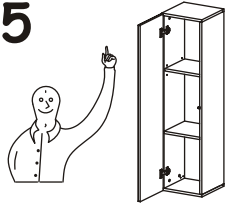
$X=Y$ 

5

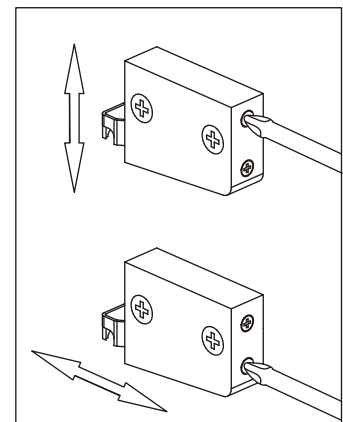
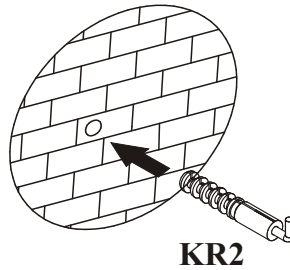
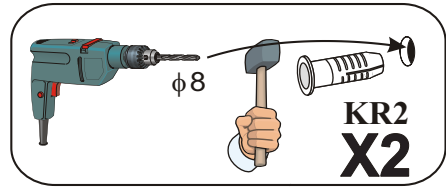
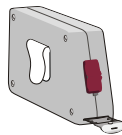
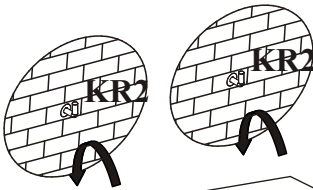


SWITCH - SW2

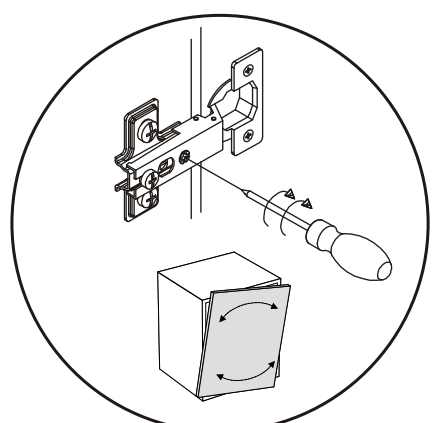
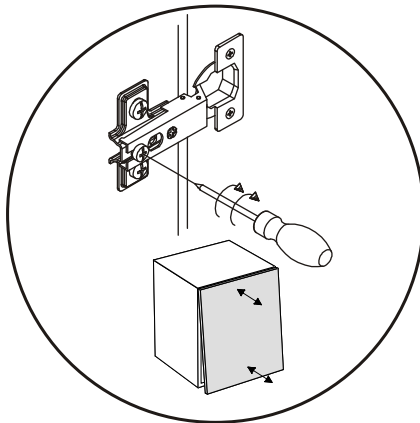
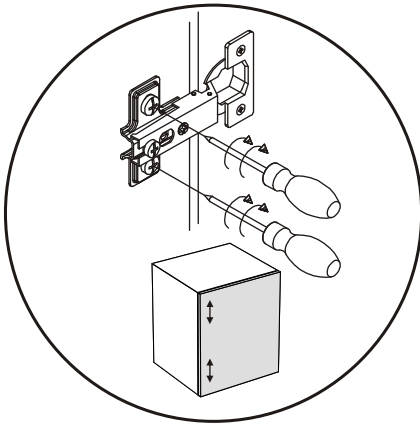
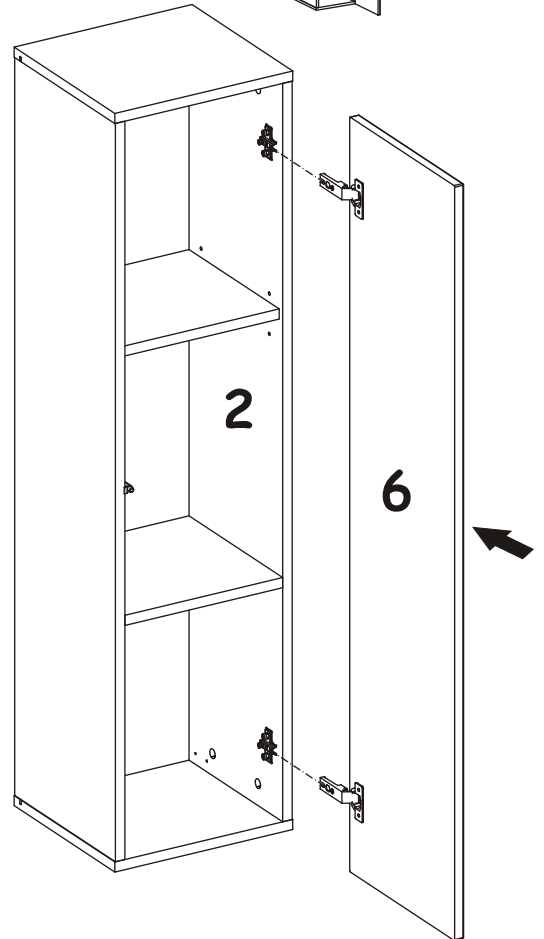
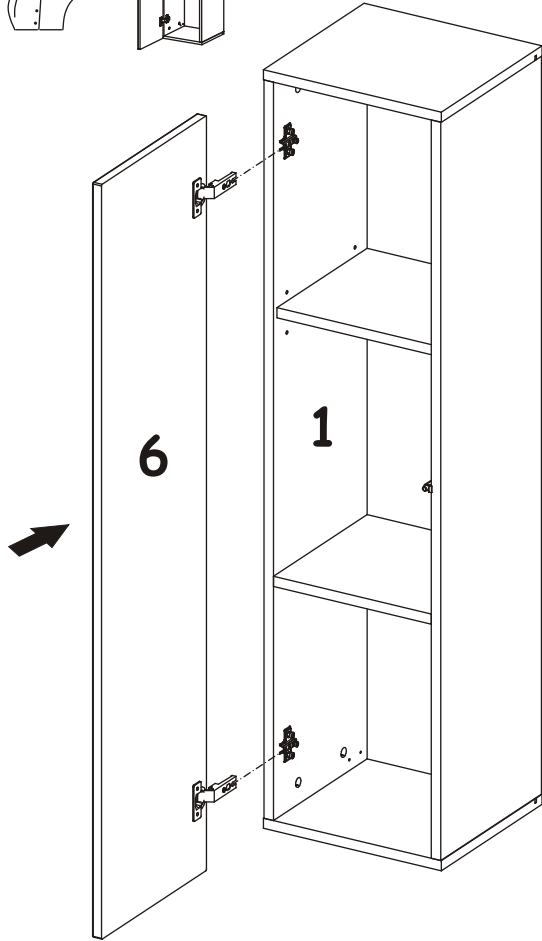
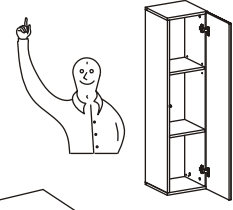
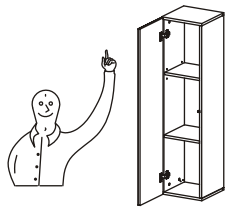
5



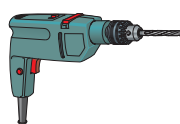
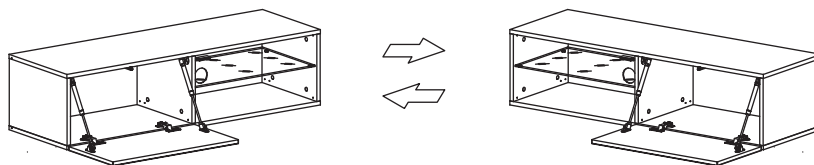
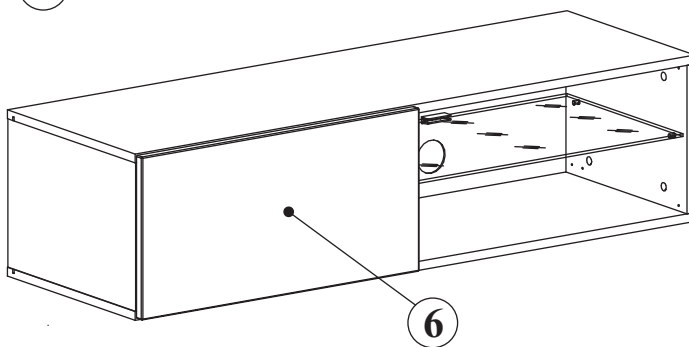
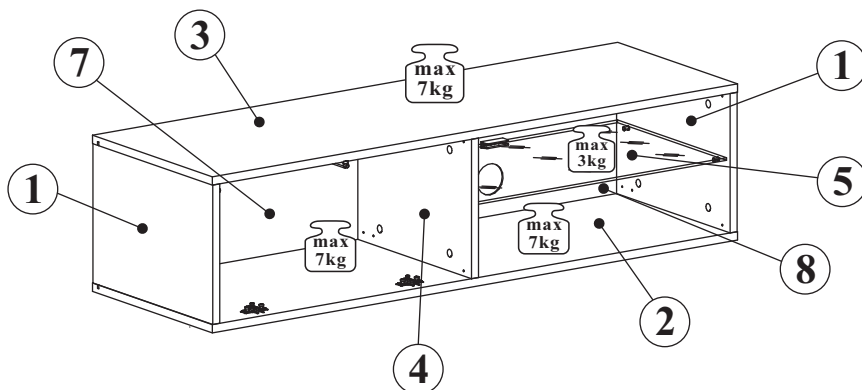
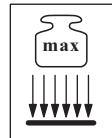
6



7



SWITCH 27 -- SW RTV 4

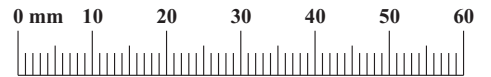


90 min

NO	Dim.			Col-No	Qty
1	268	384	16	1	2
2	1202	384	16	1	1
3	1202	384	16	1	1
4	268	364	16	1	1
6	596	294	16	1	1
5	574	349	5	1	1
7	589	280	3	1	1
8	589	280	3	1	1

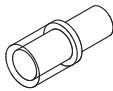
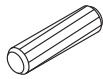
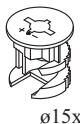

SWITCH RTV 4

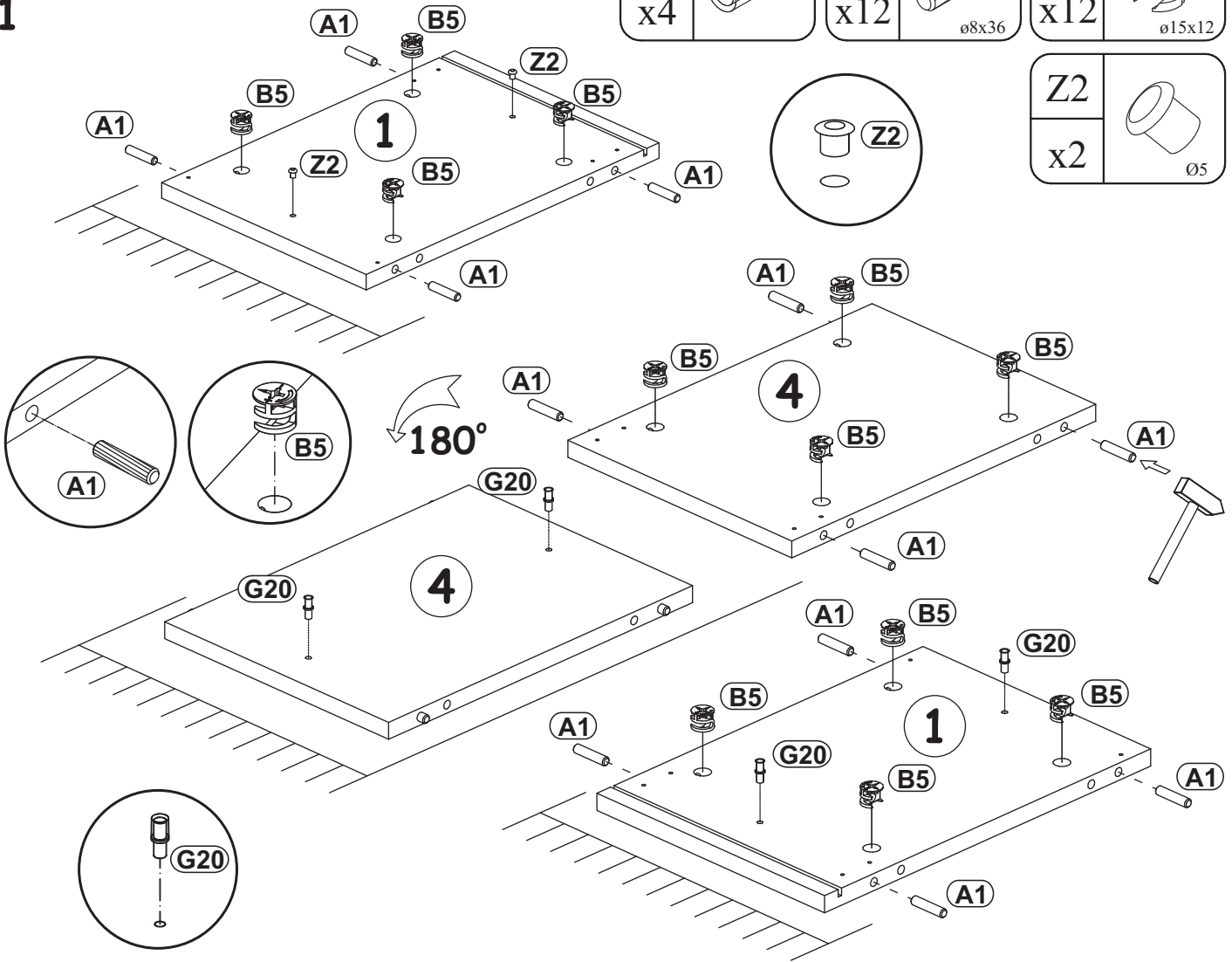
A1 x12 ø8x36	B4 x12	G5 x12	B5 x12 ø15x12	ZR1 x3	D6 x6 USØ3,5x30
E1 x2 Ø26 H=0	E2 x2 H=0	D10 x16 USØ3,5x13	T1 x1	S1 x10	B01 x2
KR2 x3 ø8	G2 x1	LED x1 x1	G20 x4	UP13 x2 UPØ3x16	G16 x2
Z2 x6 Ø5					




SWITCH RTV 4

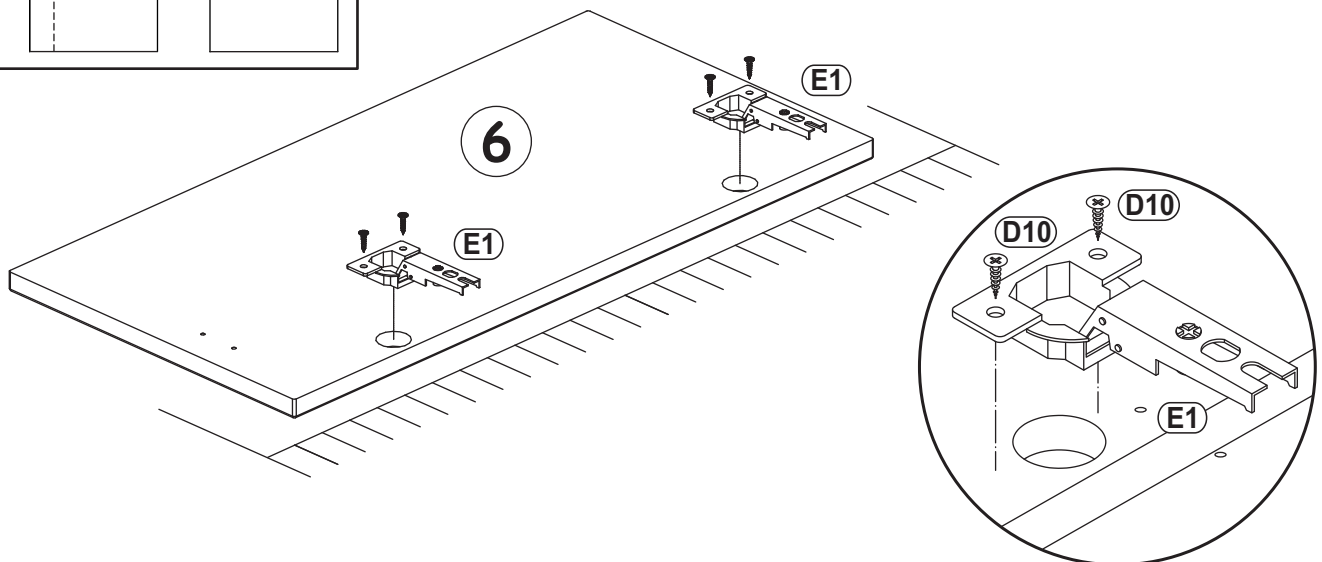
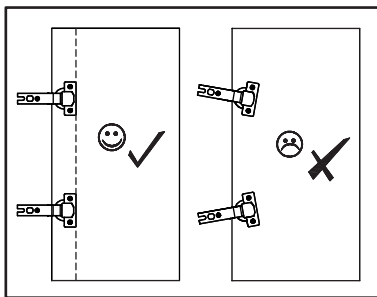
1

G20		A1		B5	
x4		x12	ø8x36	x12	ø15x12
			Z2		
			x2	Ø5	

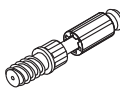


2

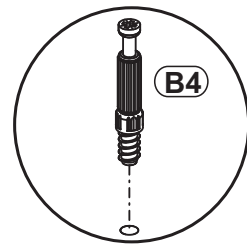
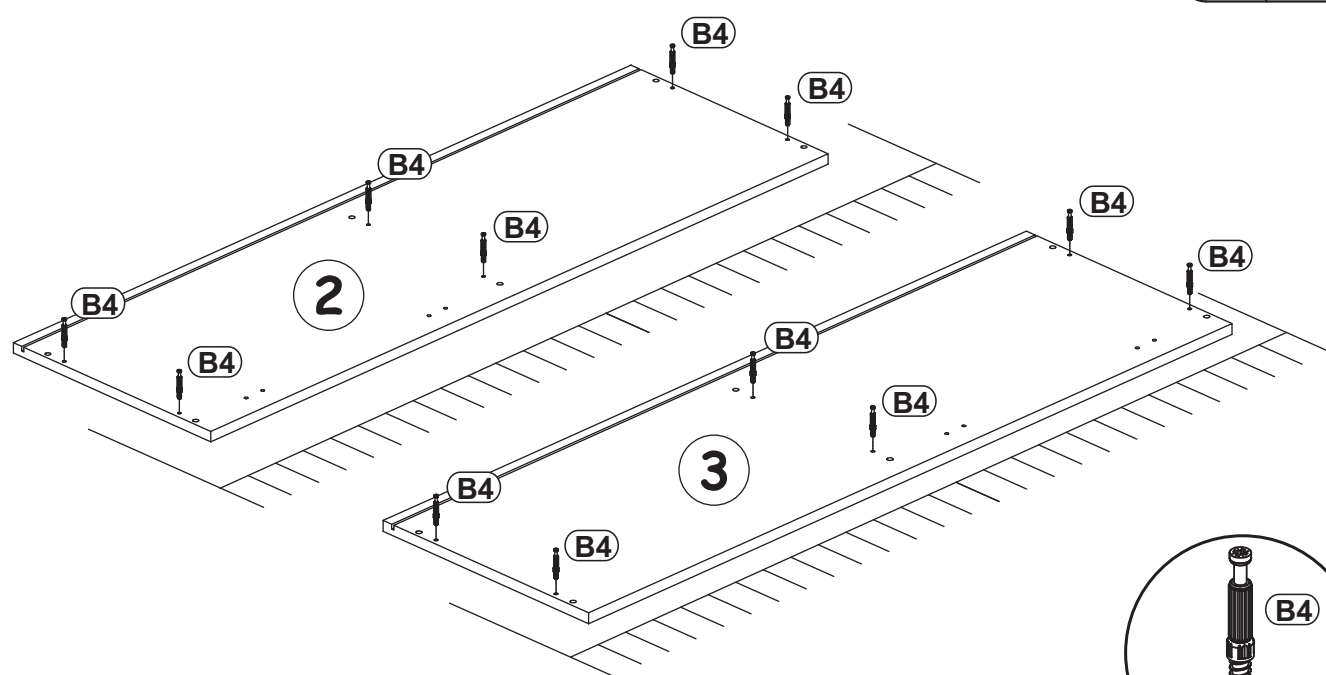
E1	Ø26	D10	
x2	H=0	x4	USØ3,5x13




SWITCH RTV 4

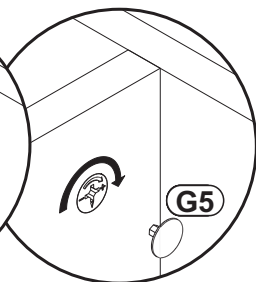
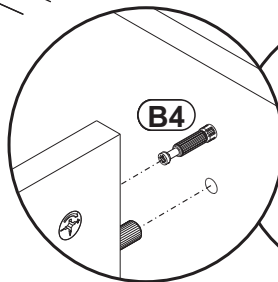
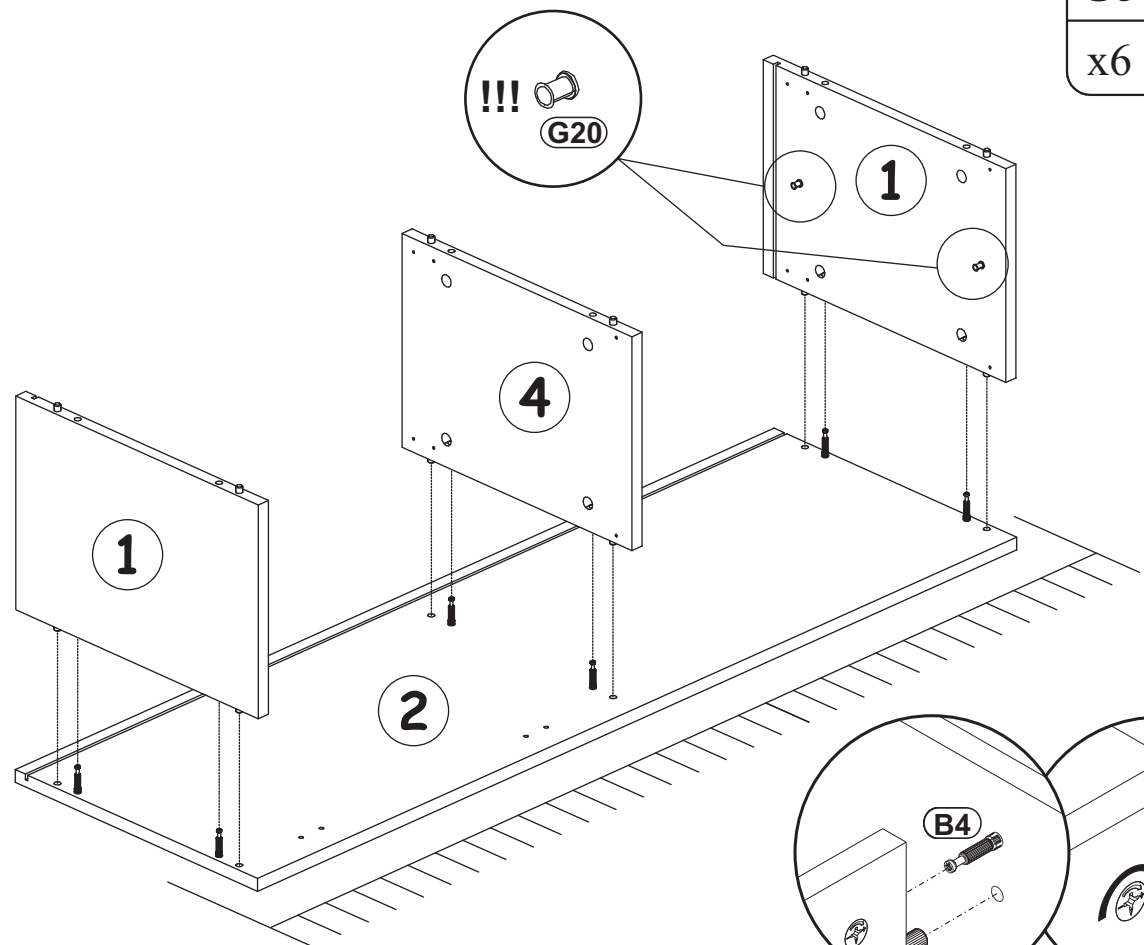
B4	
x12	

3

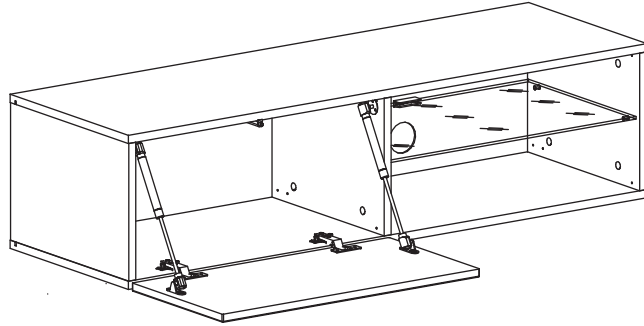


4

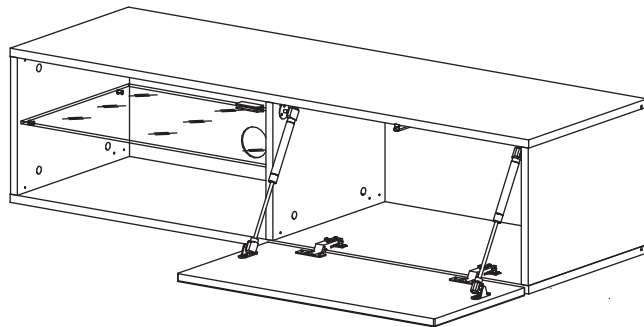
G5	
x6	



5 - 11

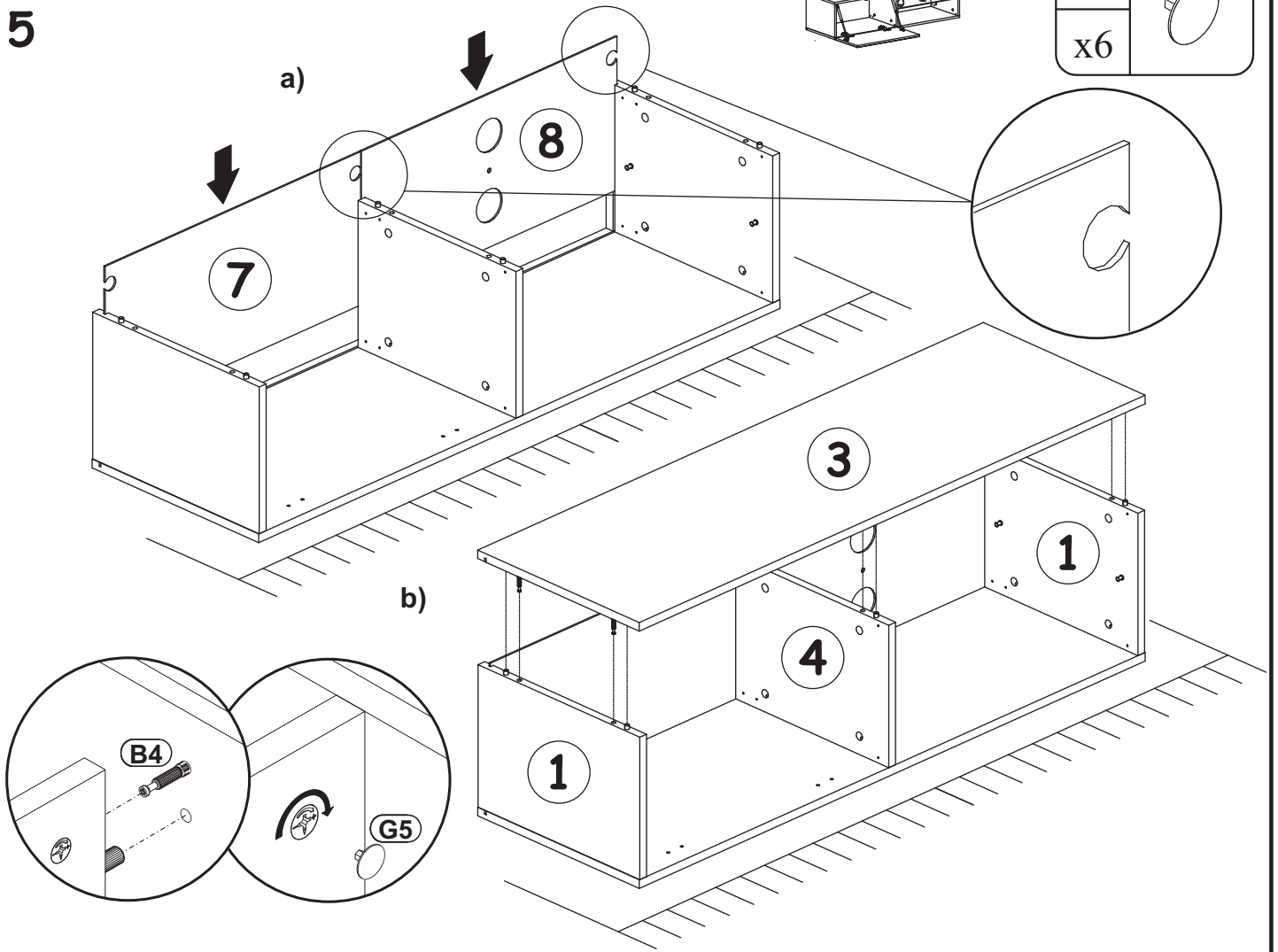


12 - 18

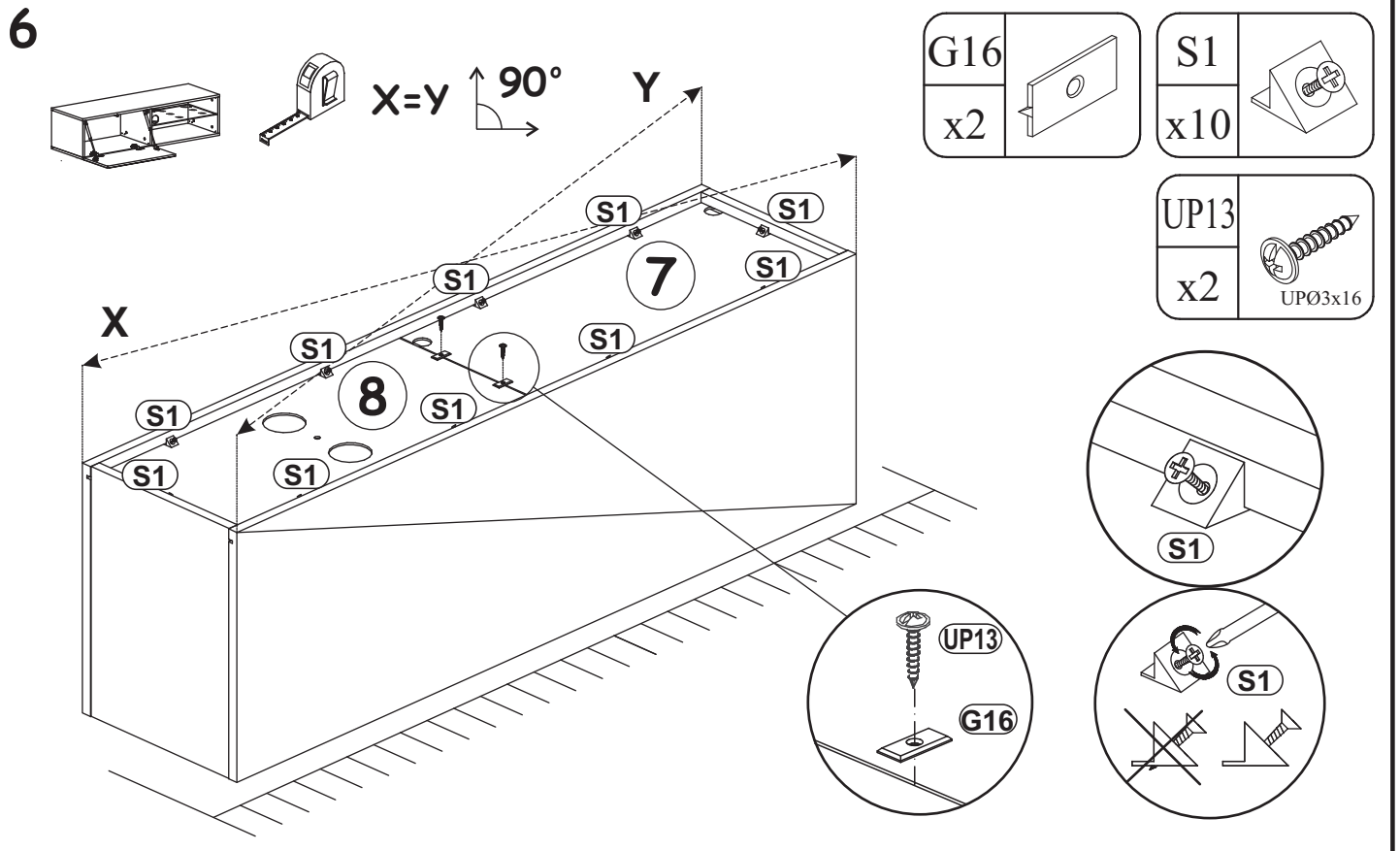


SWITCH RTV 4

5

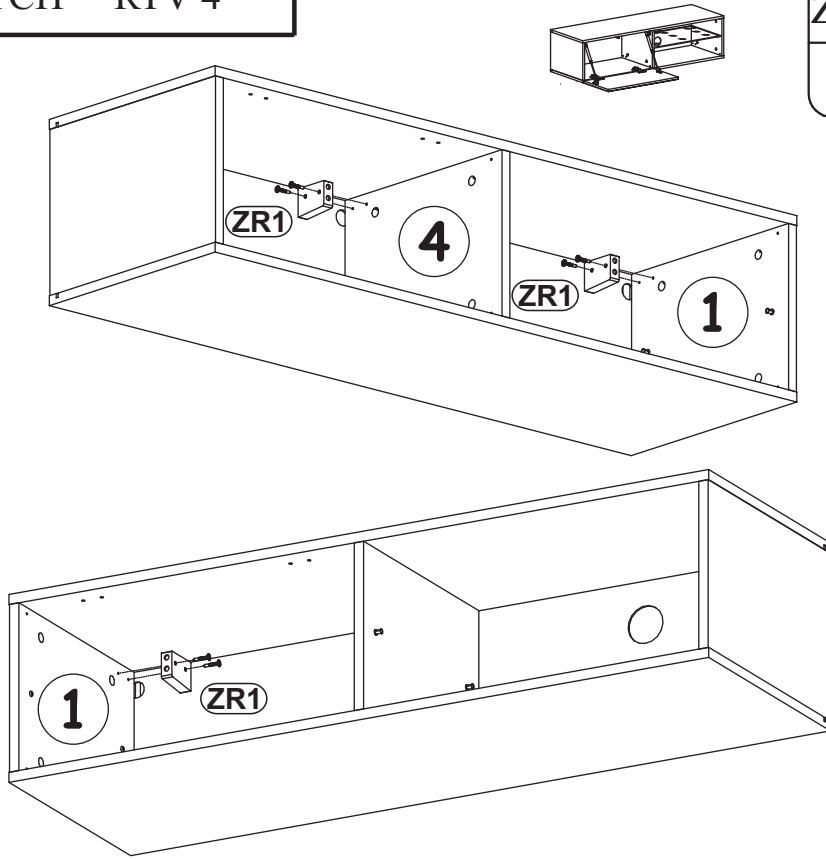


6

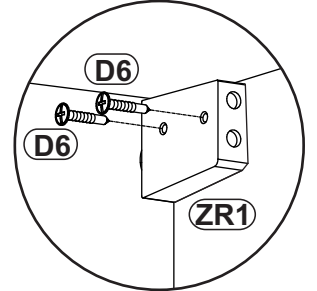
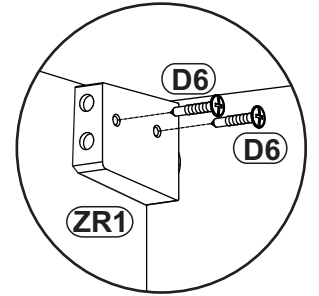


SWITCH RTV 4

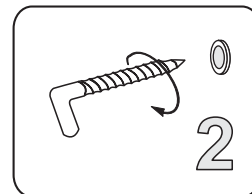
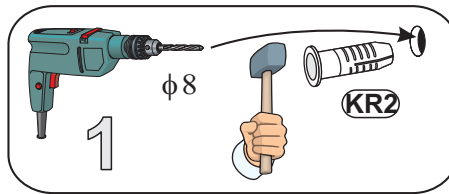
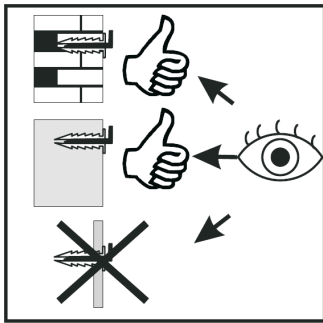
7



ZR1		D6	
x3		x6	US03,5x30

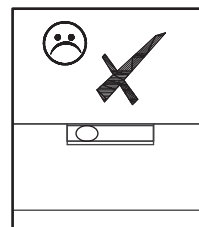
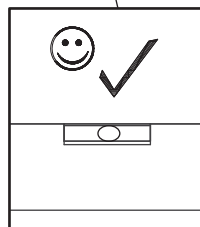
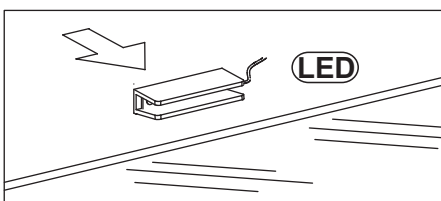
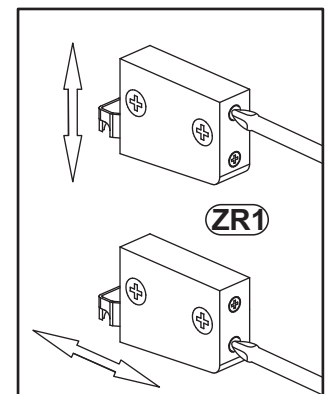
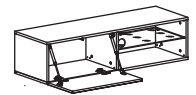
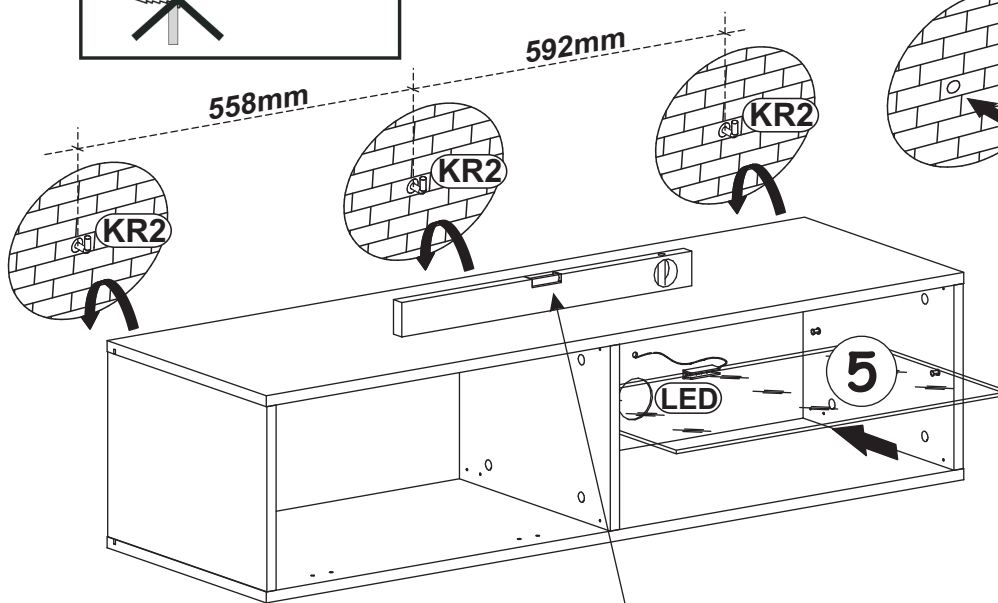


8



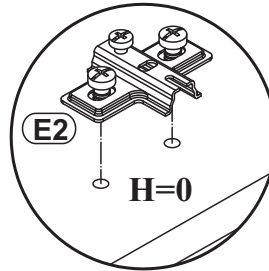
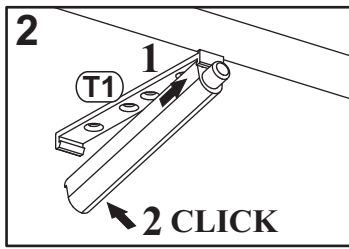
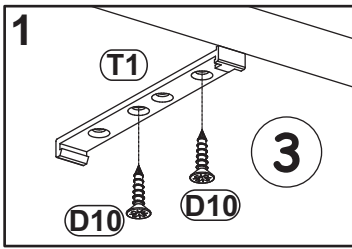
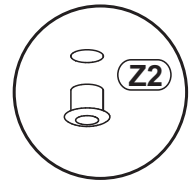
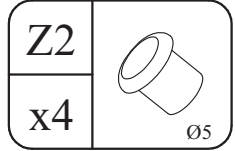
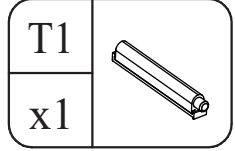
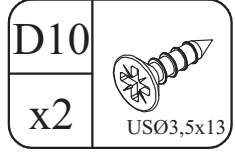
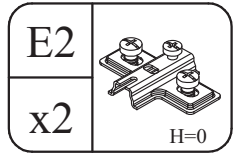
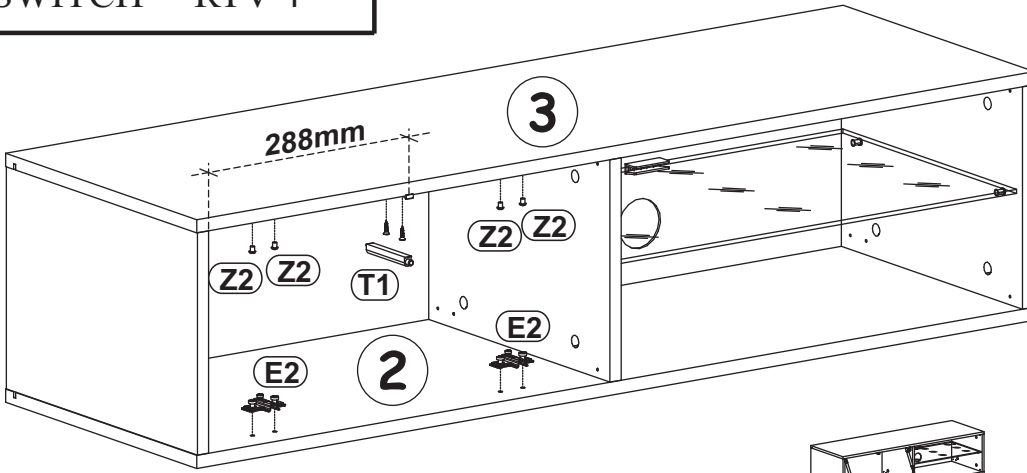
KR2	
x3	Ø8

LED	
x1	X1

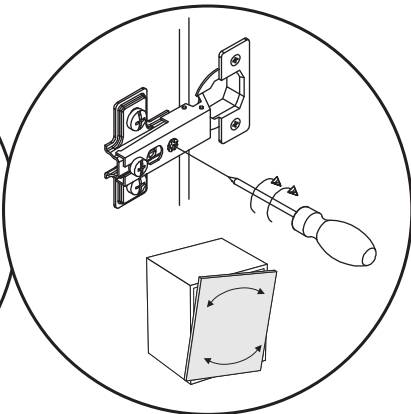
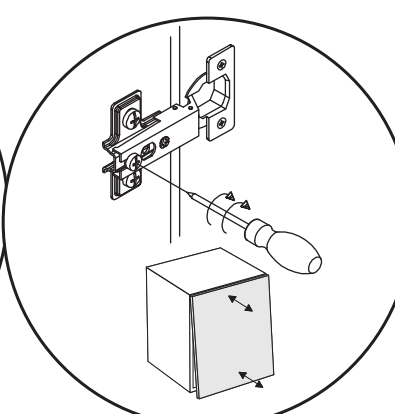
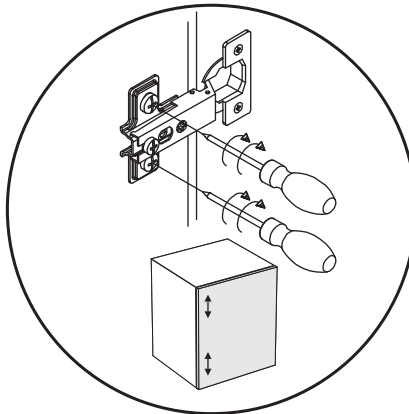
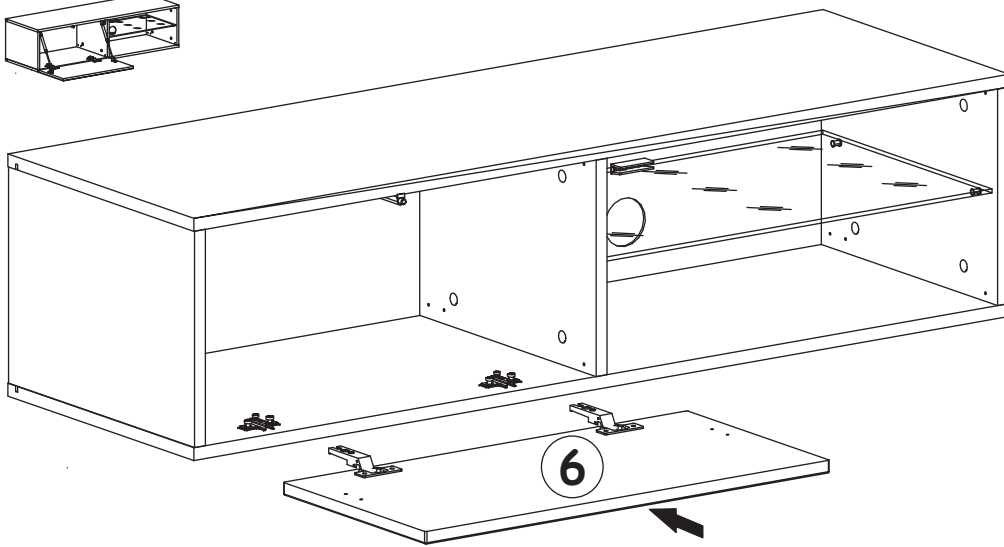


SWITCH RTV 4

9

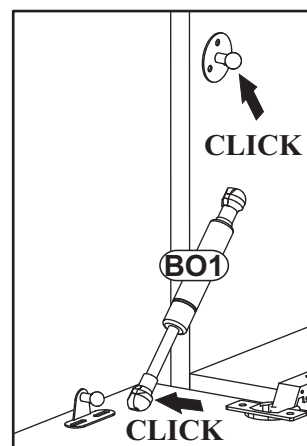
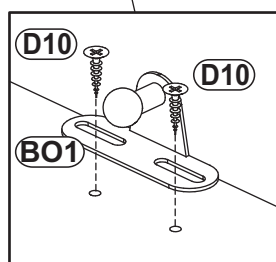
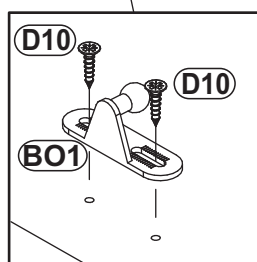
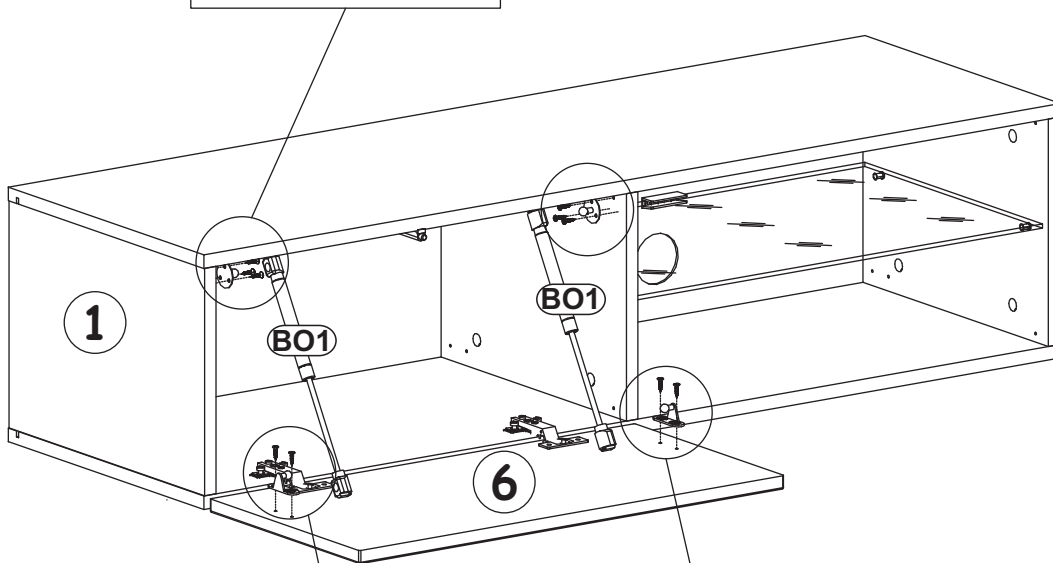
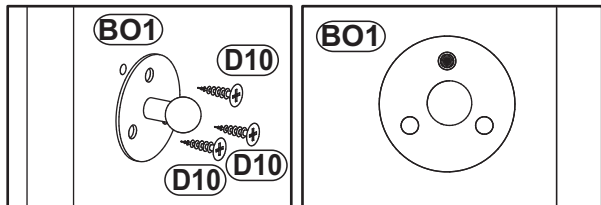
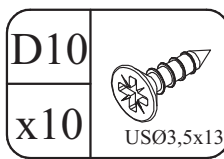
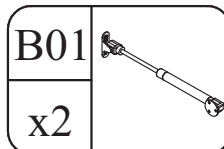
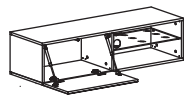


10



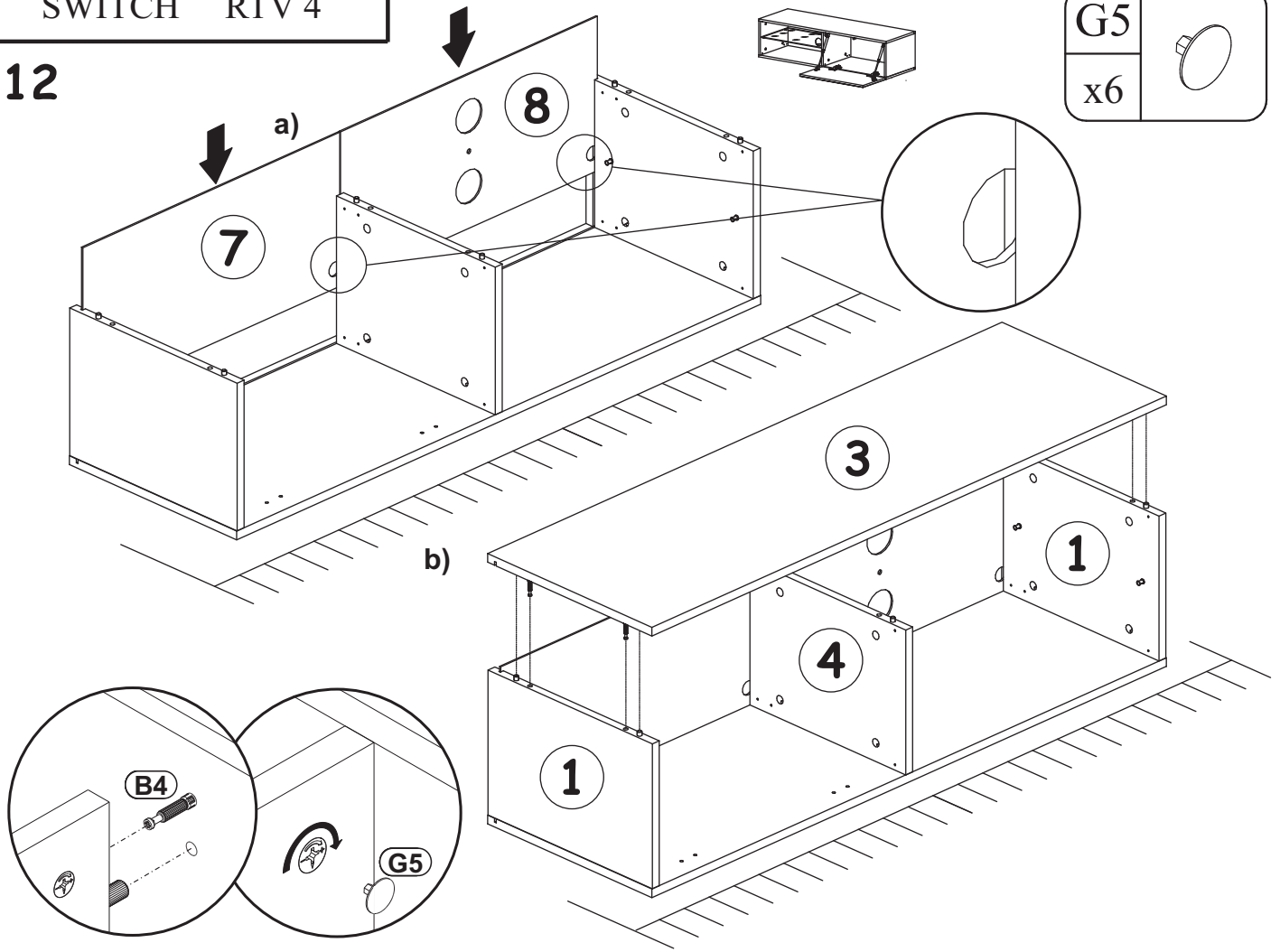
SWITCH RTV 4

11

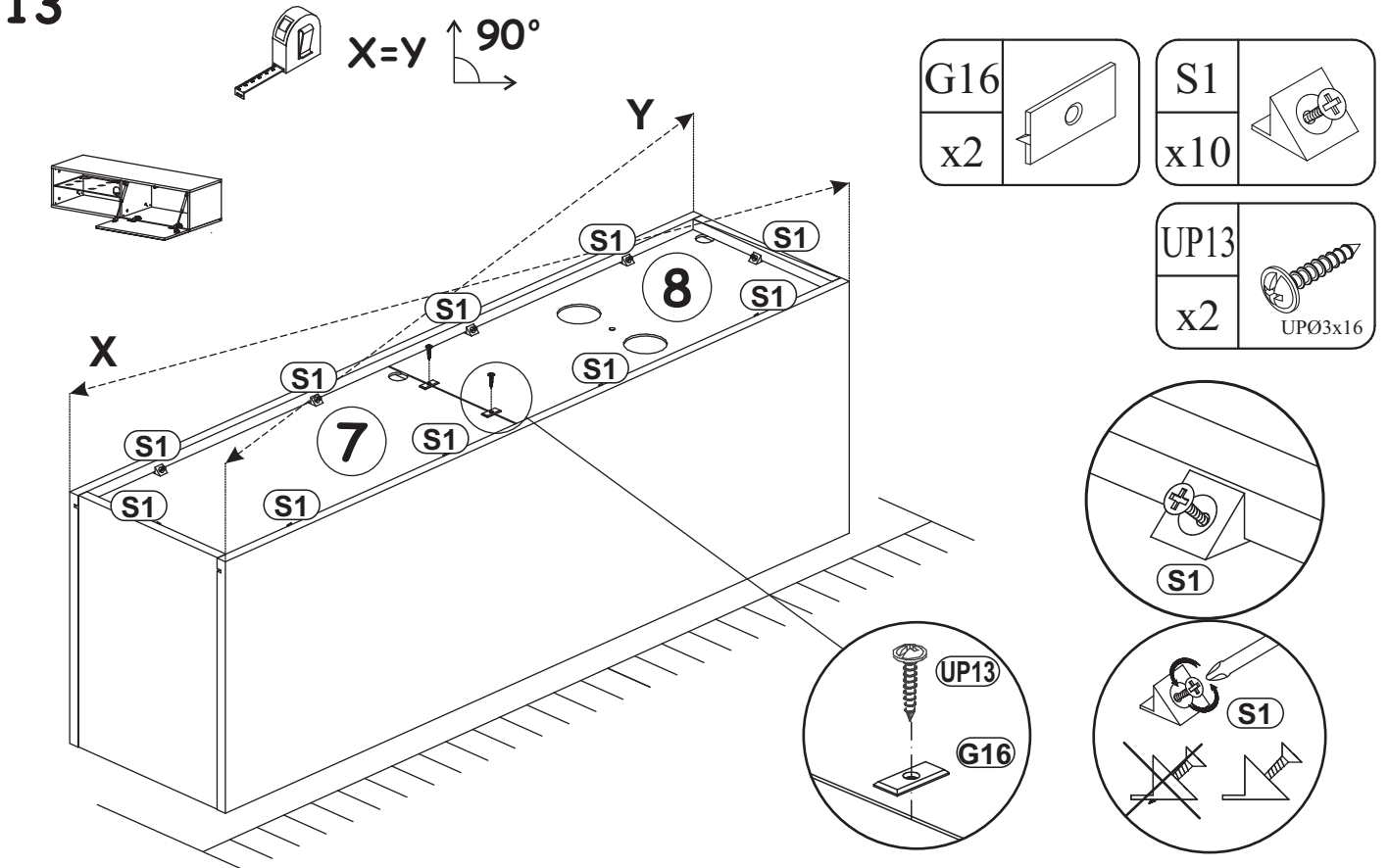


SWITCH RTV 4

12

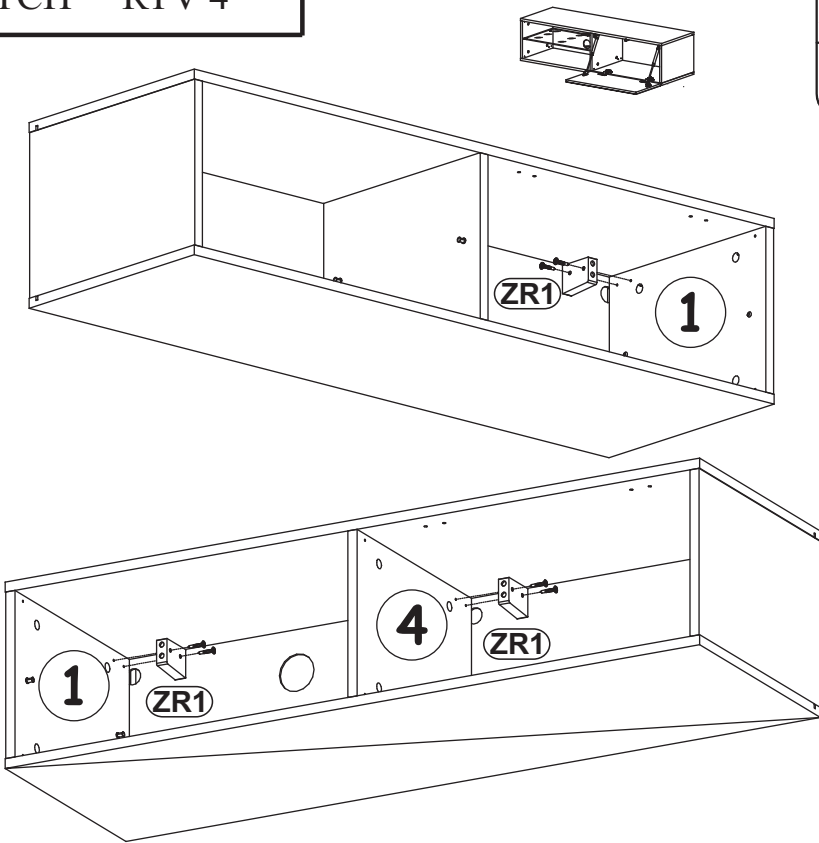


13

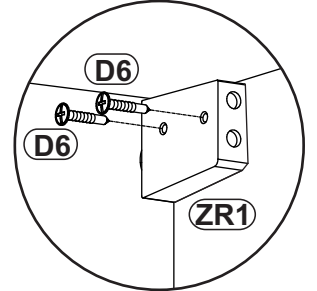
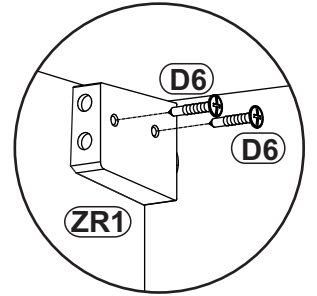


SWITCH RTV 4

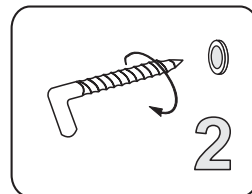
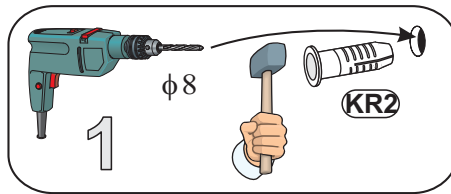
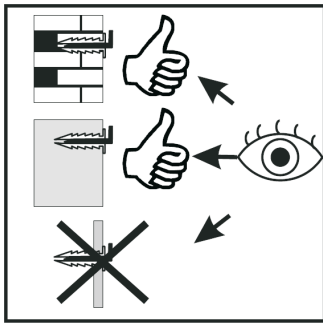
14



ZR1		D6	
x3		x6	USØ3,5x30

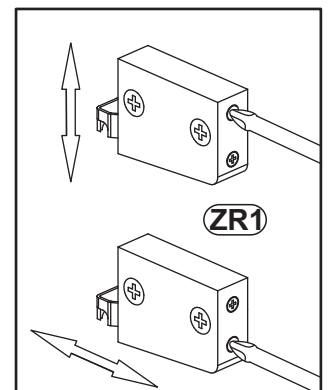
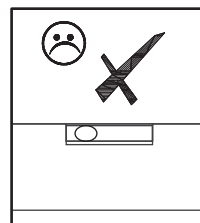
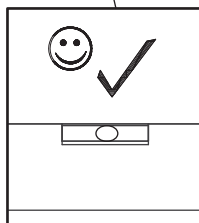
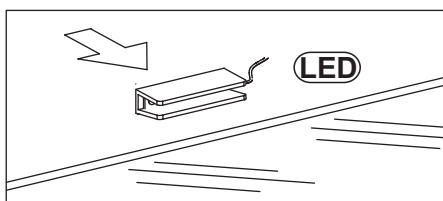
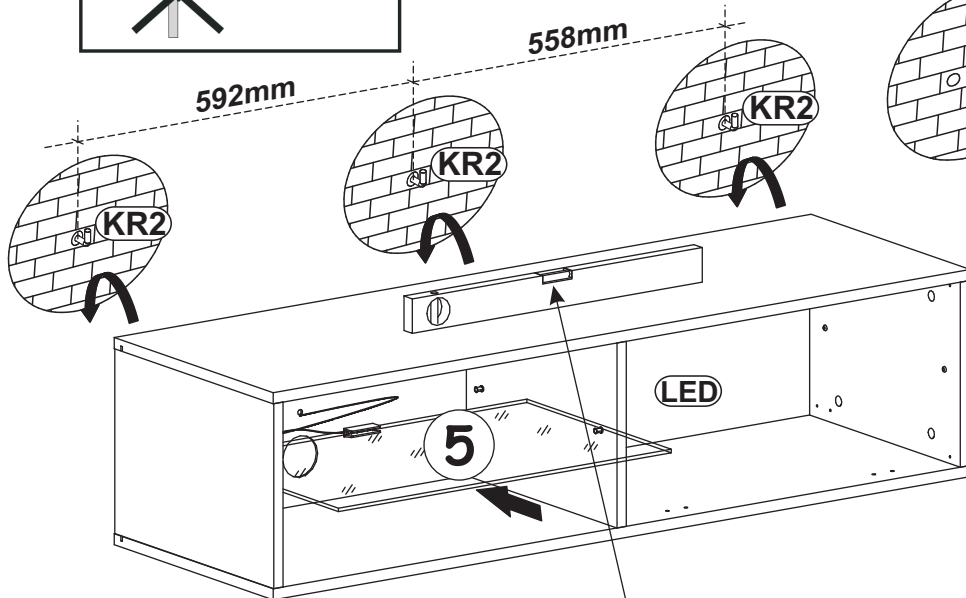


15



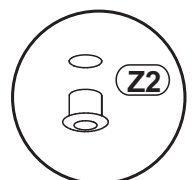
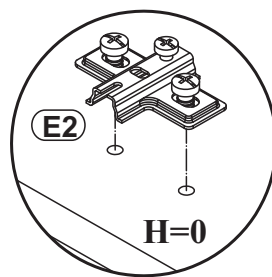
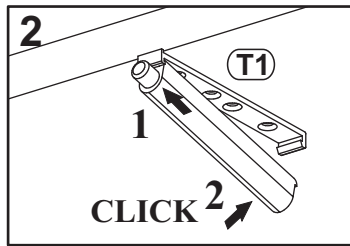
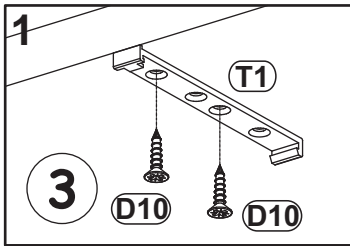
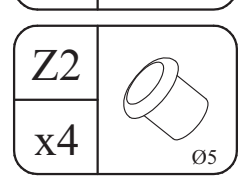
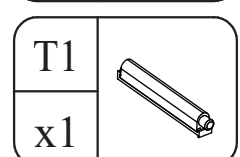
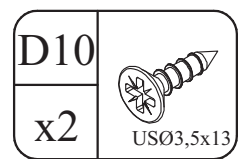
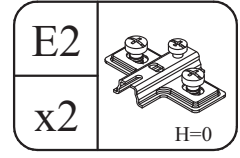
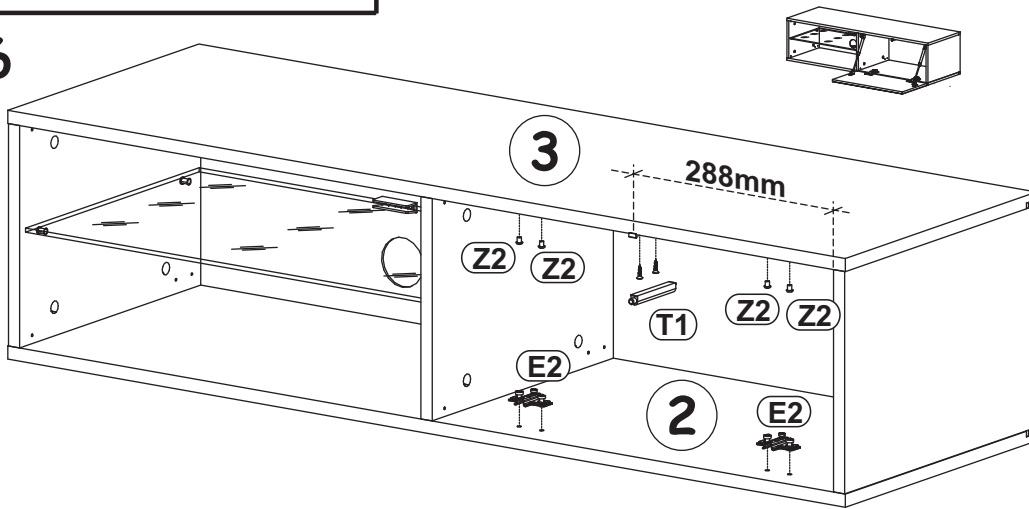
KR2	
x3	Ø8

LED	
x1	X1

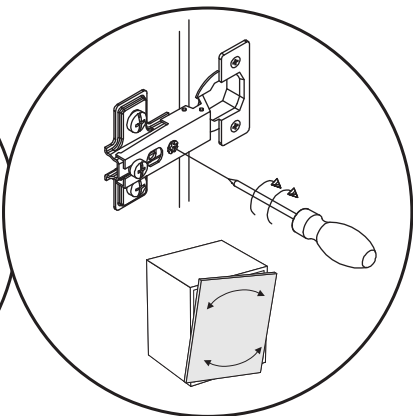
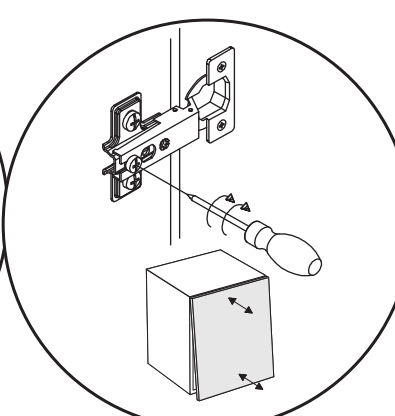
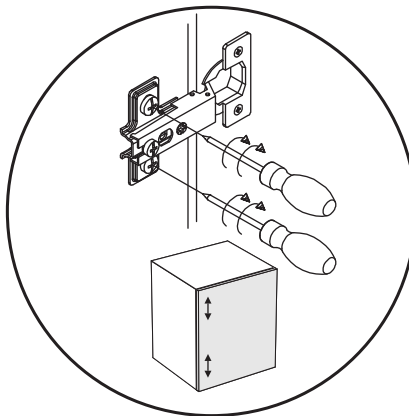
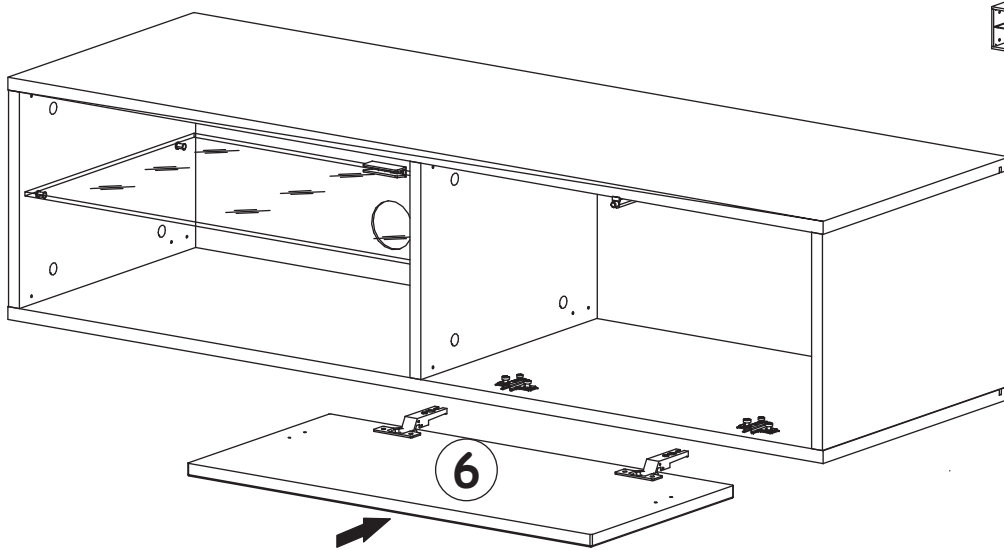


SWITCH RTV 4

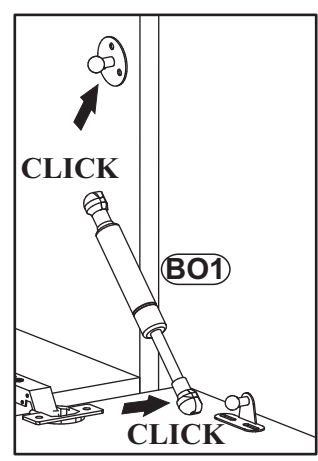
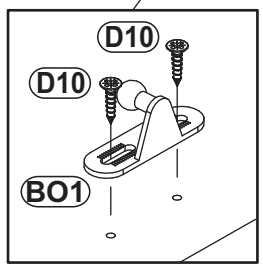
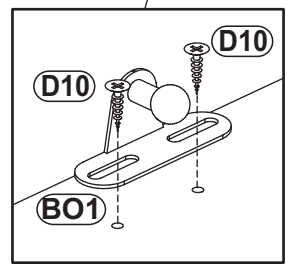
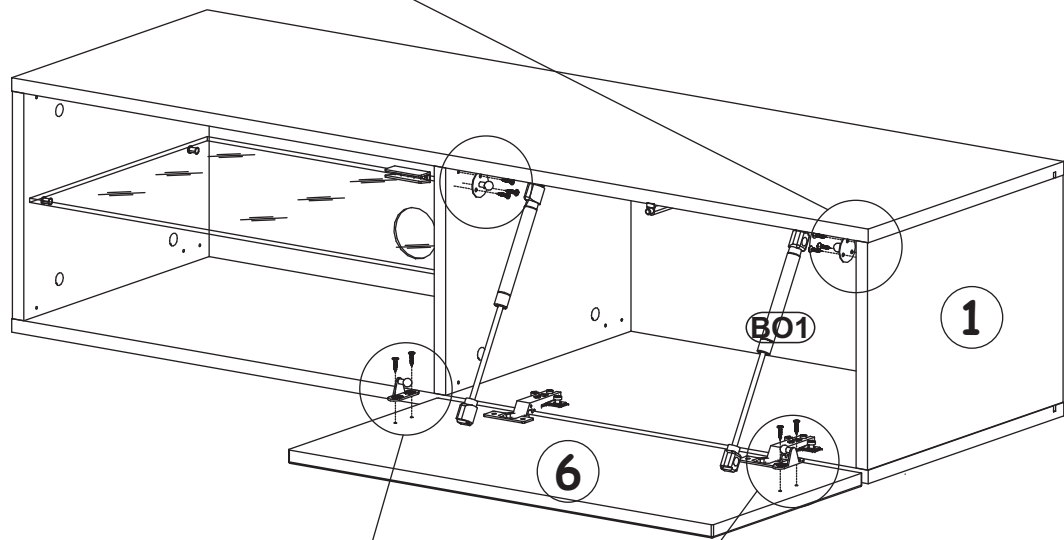
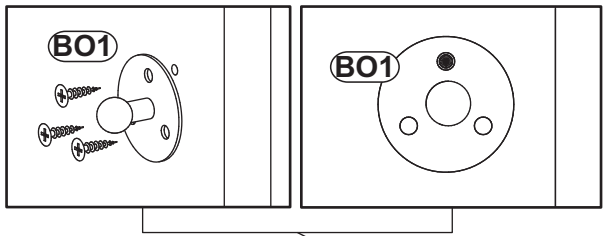
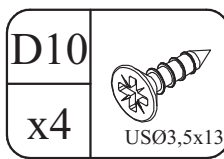
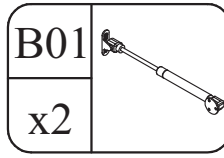
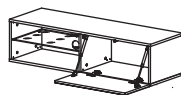
16



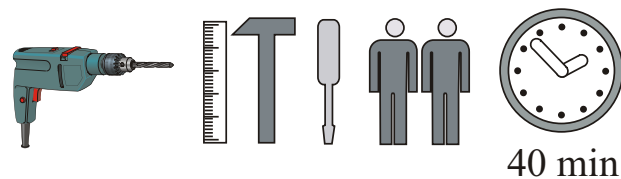
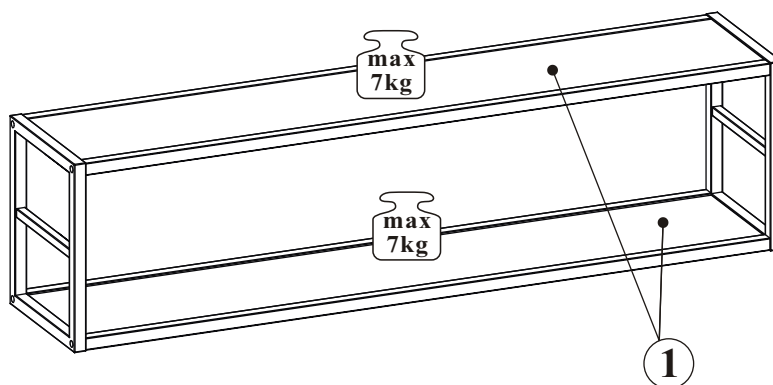
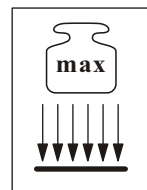
17



18


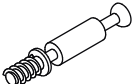


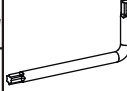
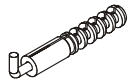




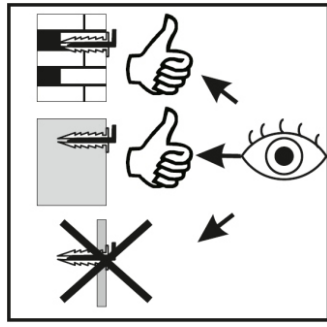
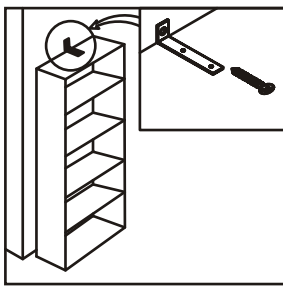
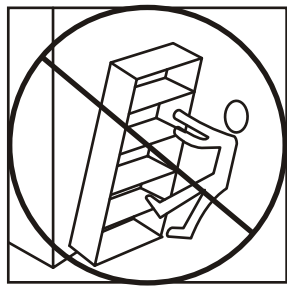
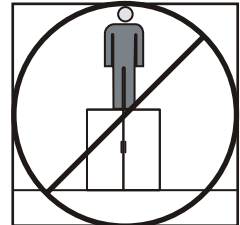
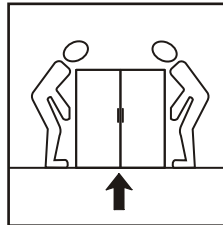
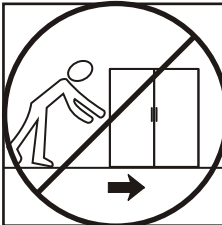
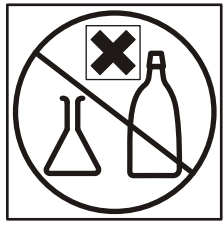
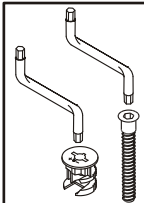
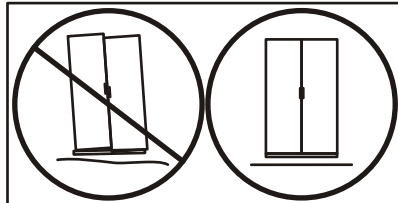
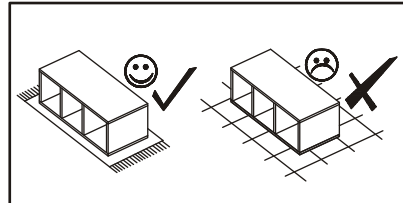
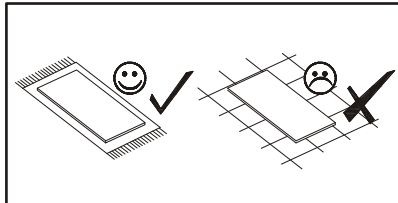
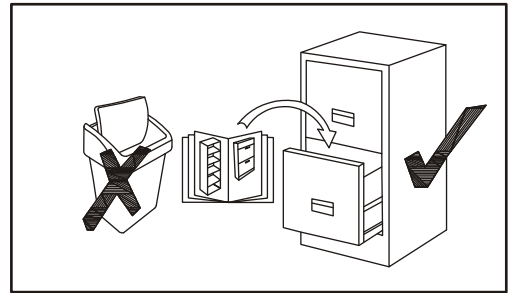
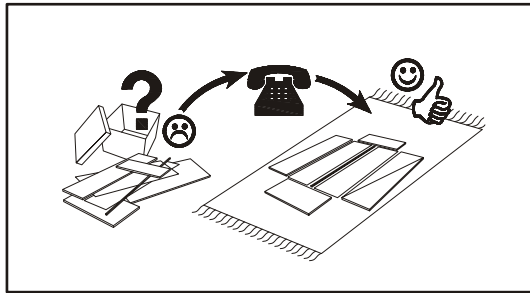
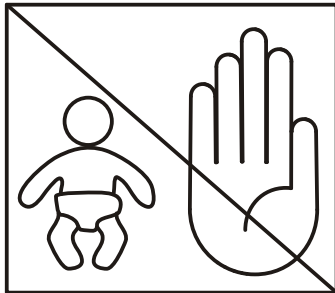
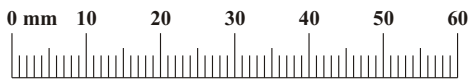
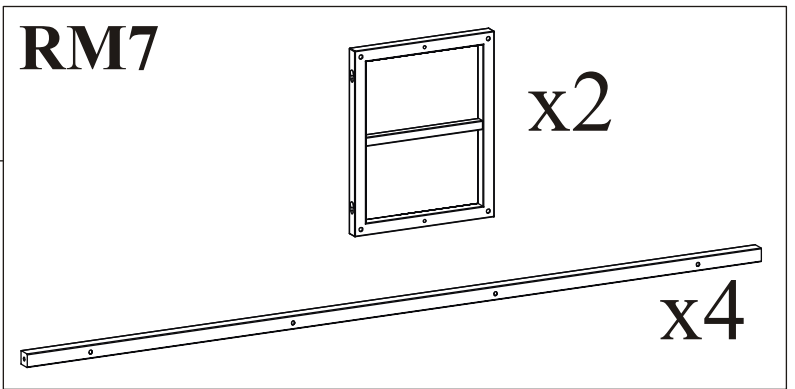
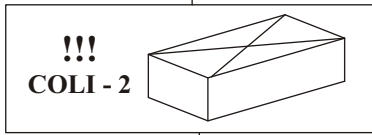
SWITCH 27_SW RM7



NO	Dim.			Col.-No	Qty
1	1160	208	16	1	2

SWITCH 27__SW RM7

B5 x20	 Ø15x12	B20 x20		G5 x20		G2 x1		GSZ x1		KR3 x4	 Ø10
D60 x8	 M6x30	G12 x8	 Ø14								



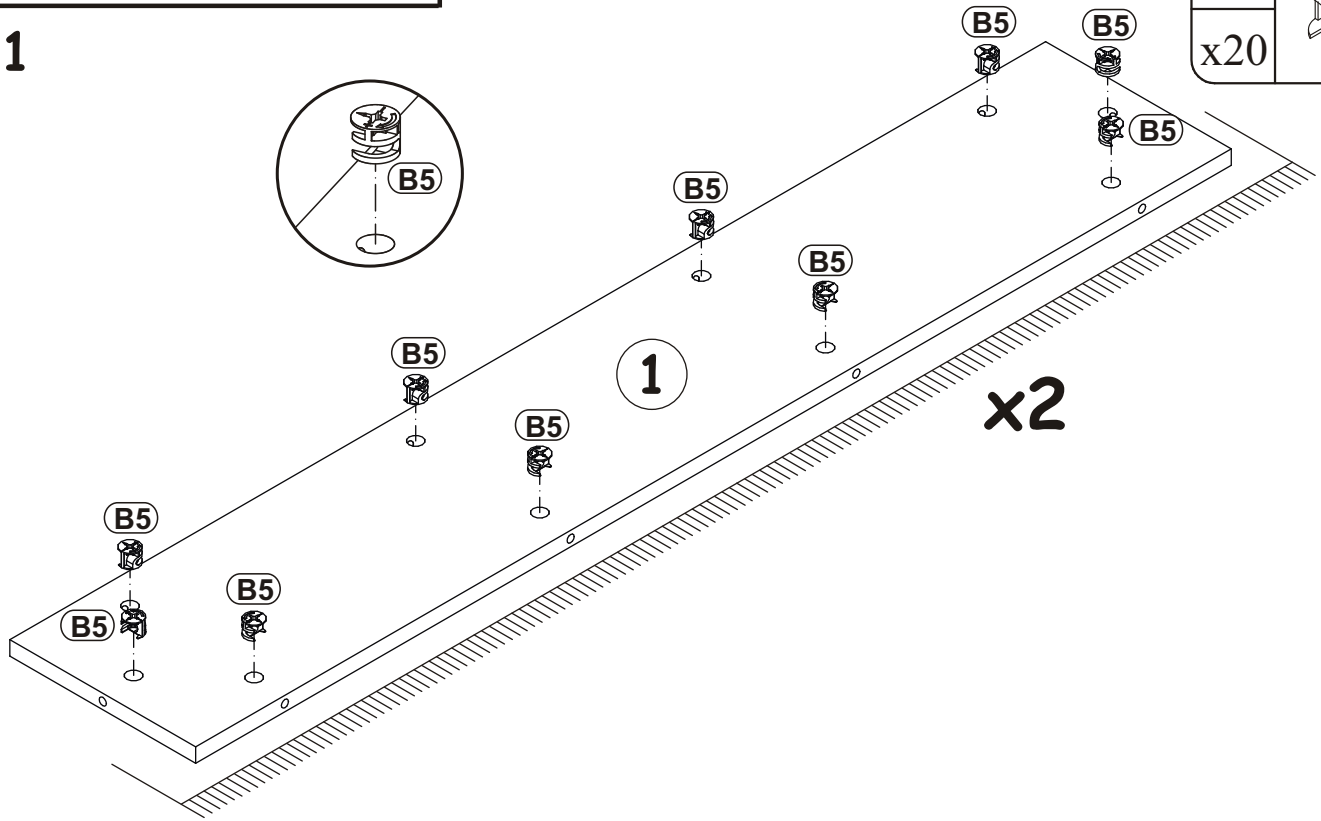
SWITCH 27__SW RM7

B5

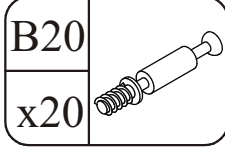
x20



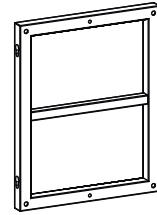
1



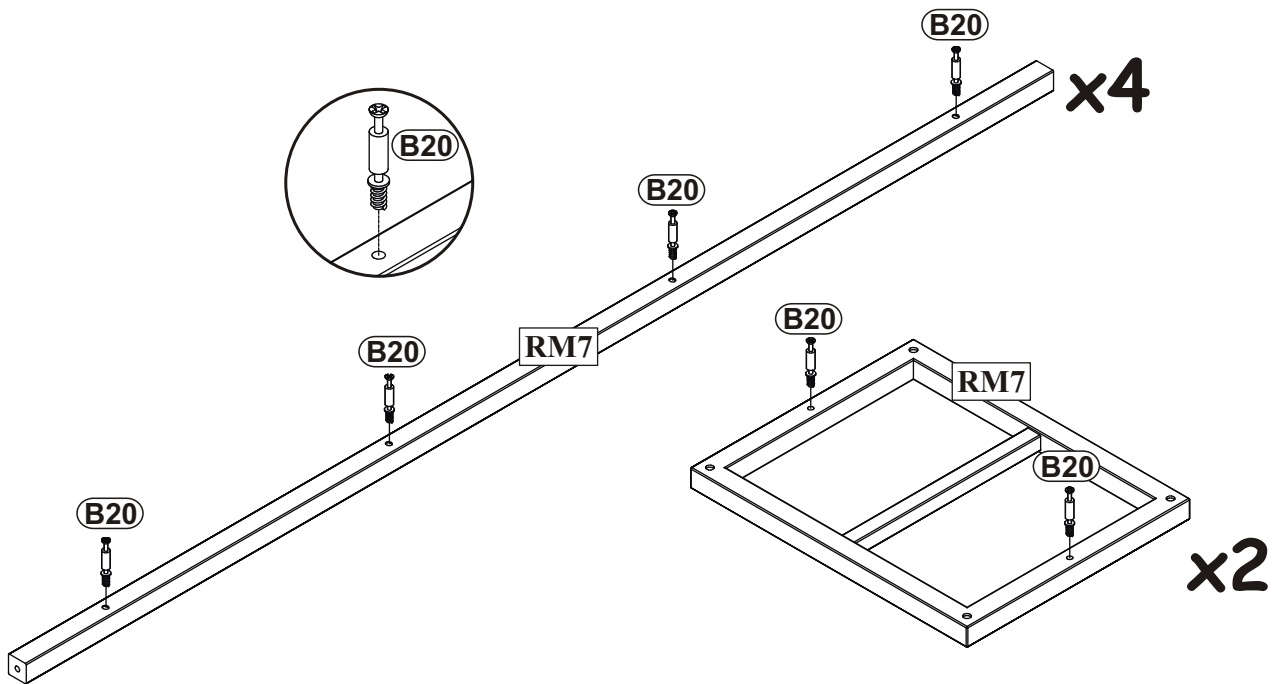
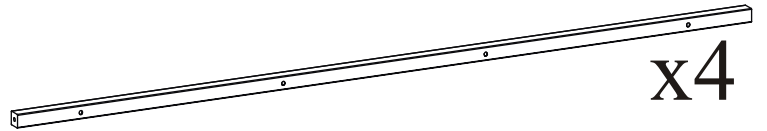
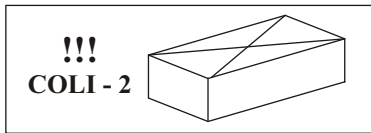
2



RM7

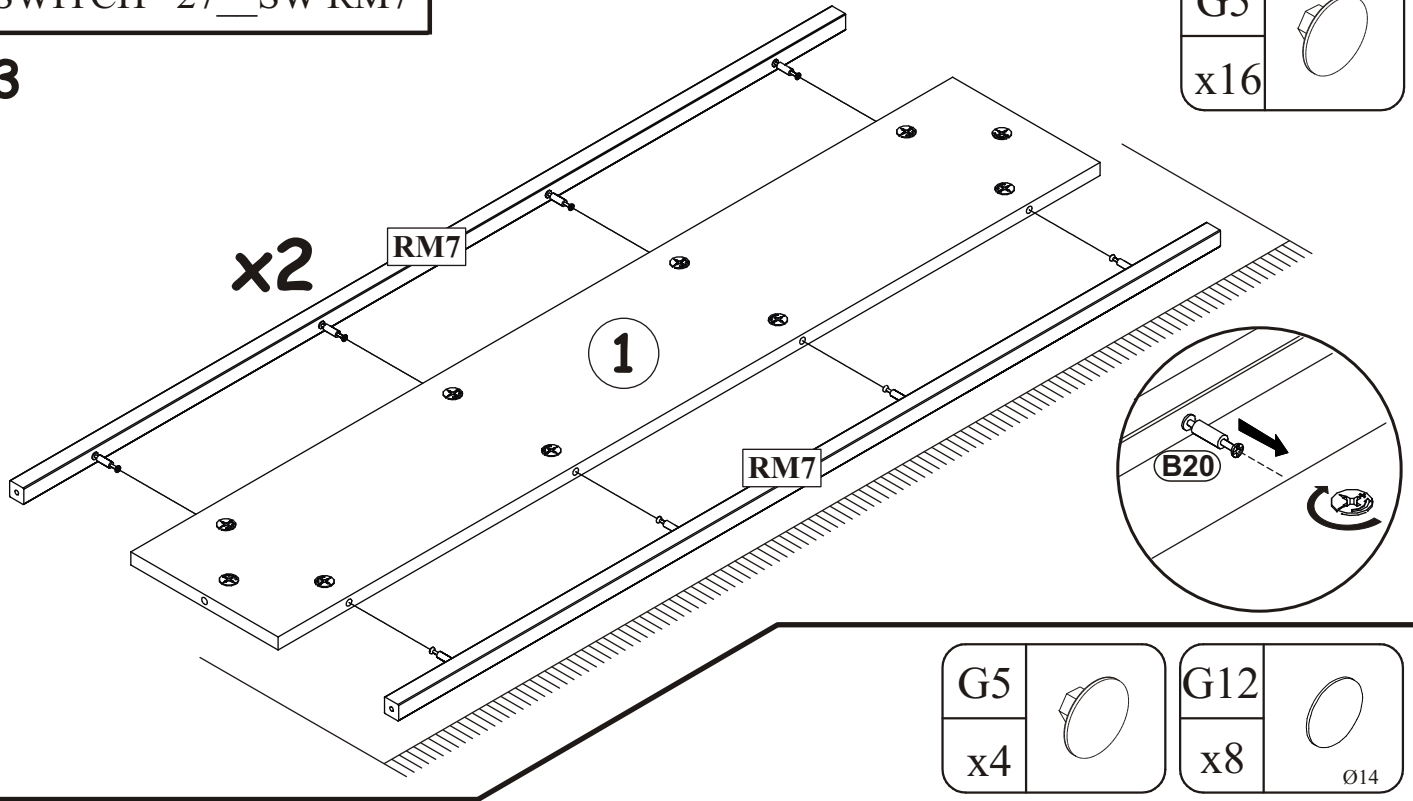


x2

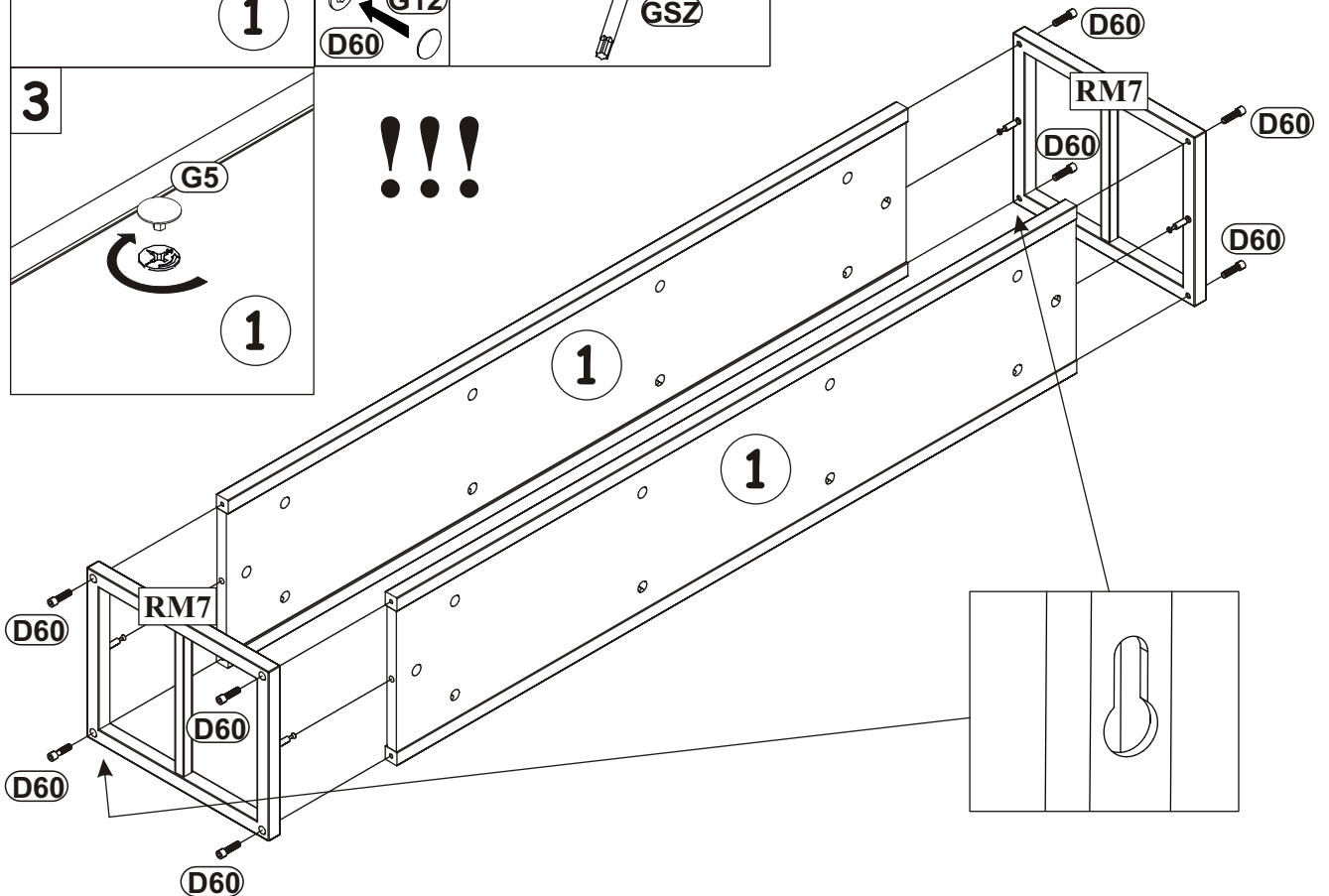
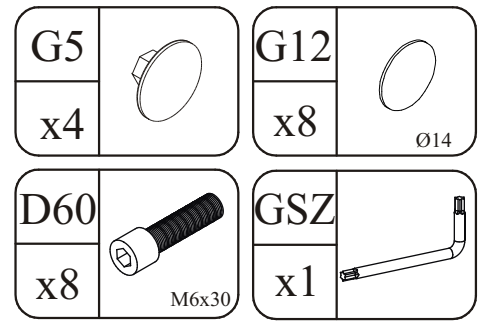
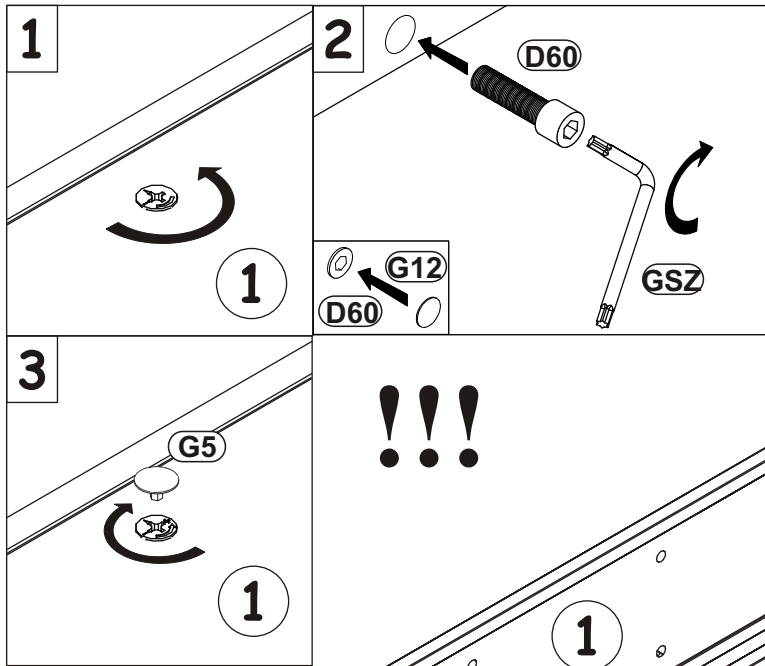


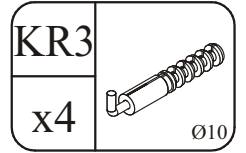
SWITCH 27_SW RM7

3



4





5

