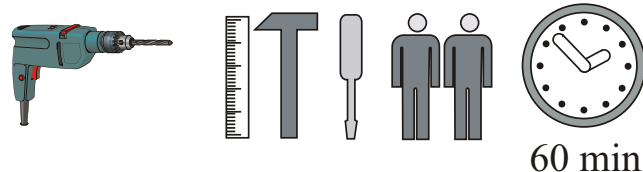
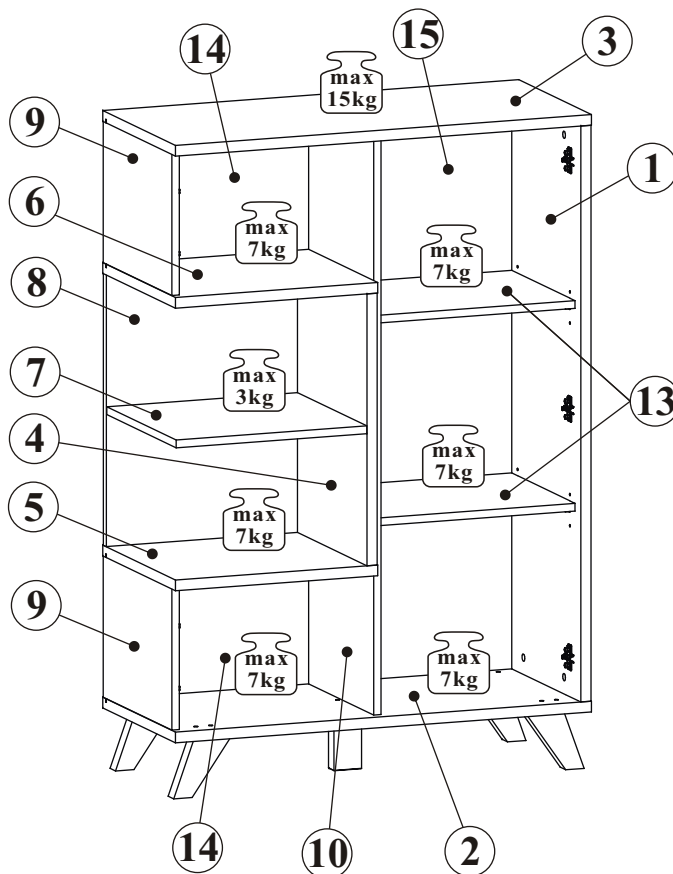
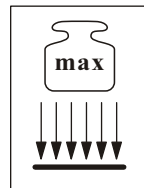
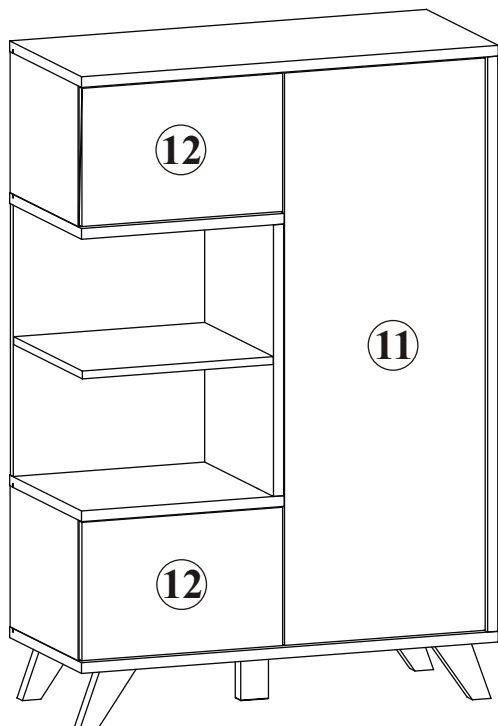


# BOGOTA 20\_BA WSN

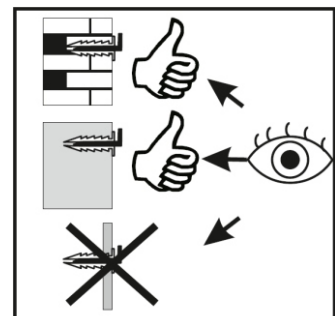
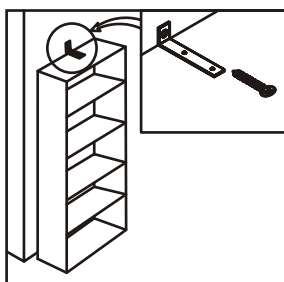
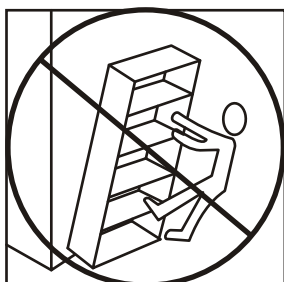
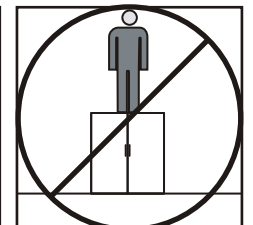
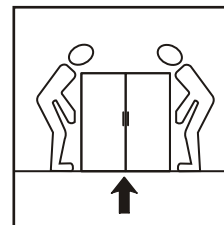
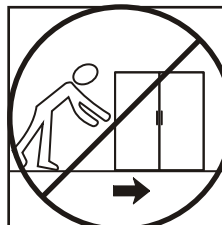
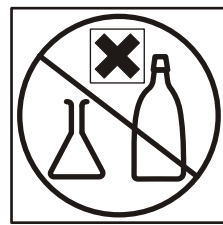
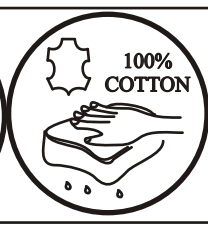
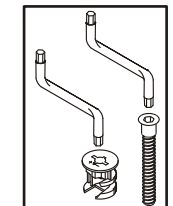
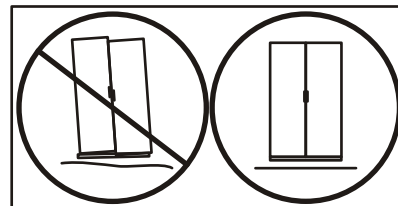
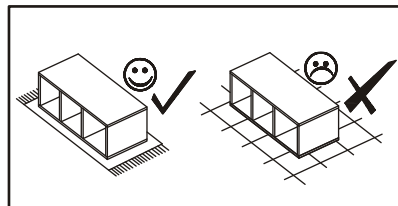
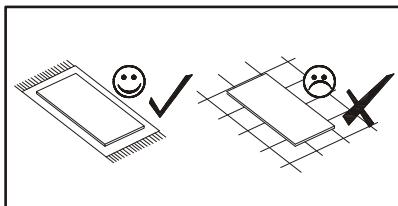
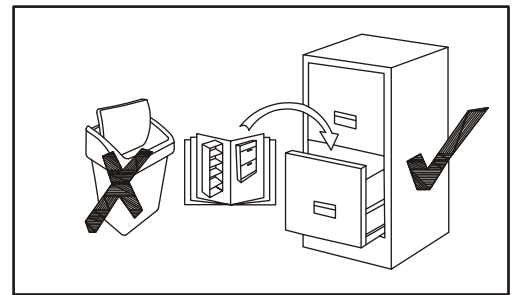
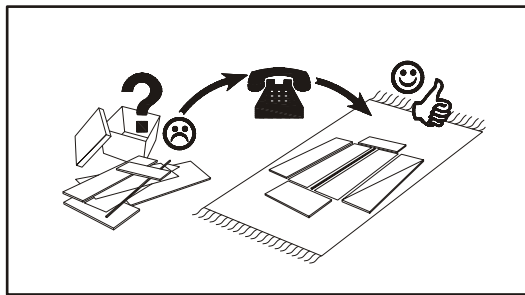
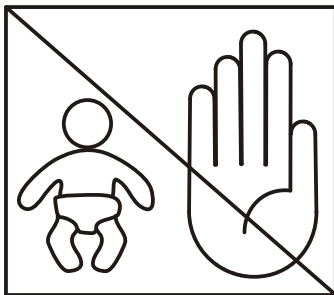
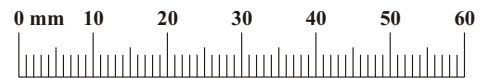


60 min

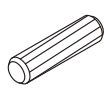
NO	Dim.		Col.-No	Qty	
1	1182	400	22	2 / 2.	1
2	901	400	22	1 / 2.	1
3	901	400	22	1 / 2.	1
4	558	383	22	1 / 2.	1
5	438	400	22	1 / 2.	1
6	438	400	22	1 / 2.	1
7	413	382	16	1 / 2.	1
8	437	558	16	2 / 2.	1
9	290	378	16	2 / 2.	2
10	1182	358	16	2 / 2.	1
11	1176	434	16	2 / 2.	1
12	284	434	16	2 / 2.	2
13	424	348	16	1 / 2.	2
14	302	435	3	2 / 2.	2
15	1194	438	3	2 / 2.	1

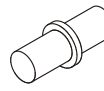
BOGOTA 20\_BA WSN

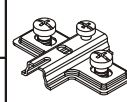
A1 x32 ø8x36	B4 x24	B5 x16 ø15x12	B16 x8 ø15x16	G5 x20	G7 x8
E1 x4 Ø26 H=0	E2 x4 H=0	E5 x3 Ø26 H=16	E4 x3 H=2	D10 x22 USØ3,5x13	OD1 x3
SK x4 H=120	B11 x16 ø7x50	B14 x2 ø7x60	G4 x16	G16 x4	UP13 x10 UPØ3x16
SP x1 H=120	S1 x18	KR1 x1	L1 x1	G2 x1	

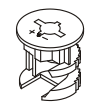



1

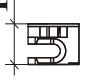

A1	
x8	ø8x36

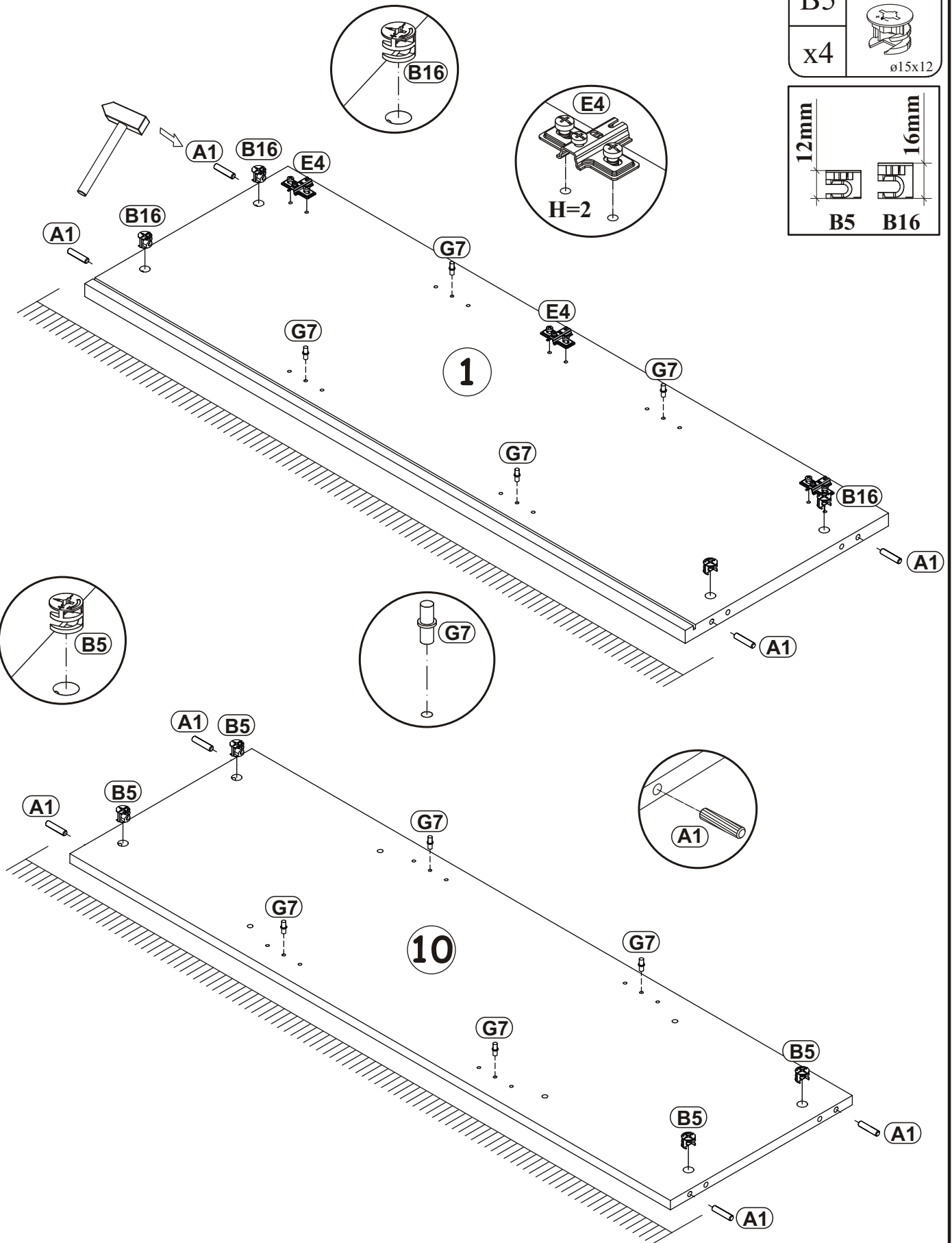
G7	
x8	

E4	
x3	H=2

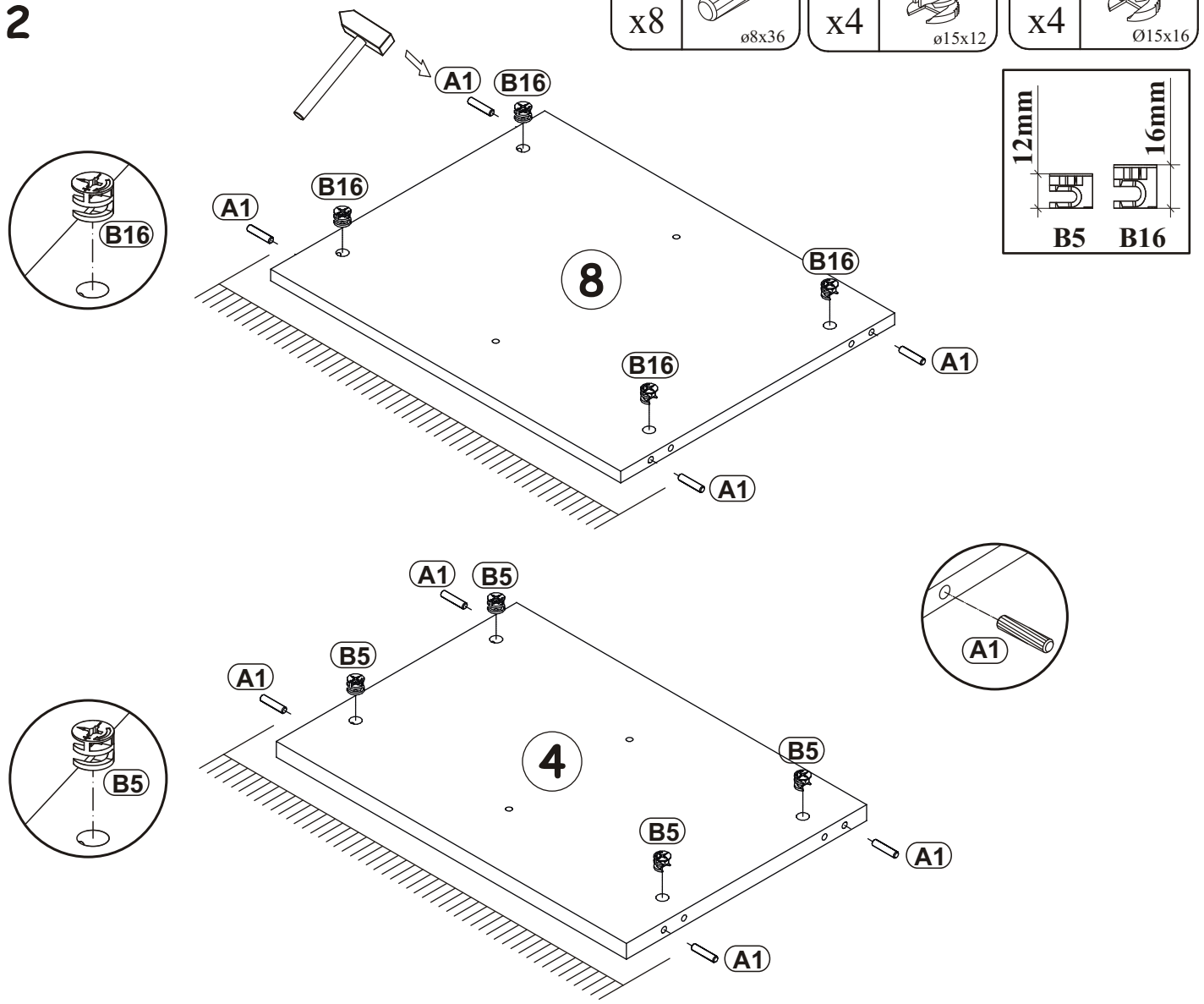
B16	
x4	Ø15x16

B5	
x4	ø15x12

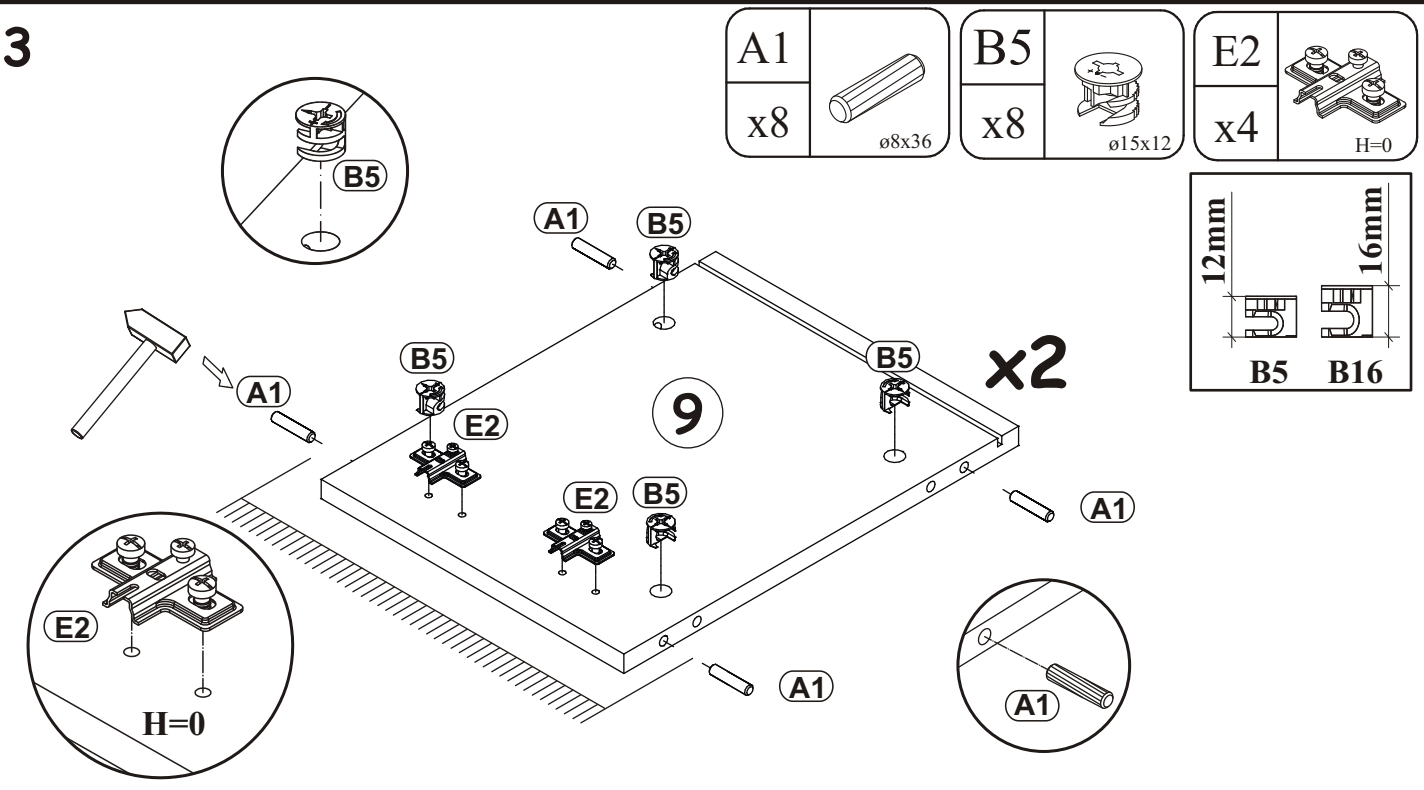
12mm		16mm	
	B5		B16



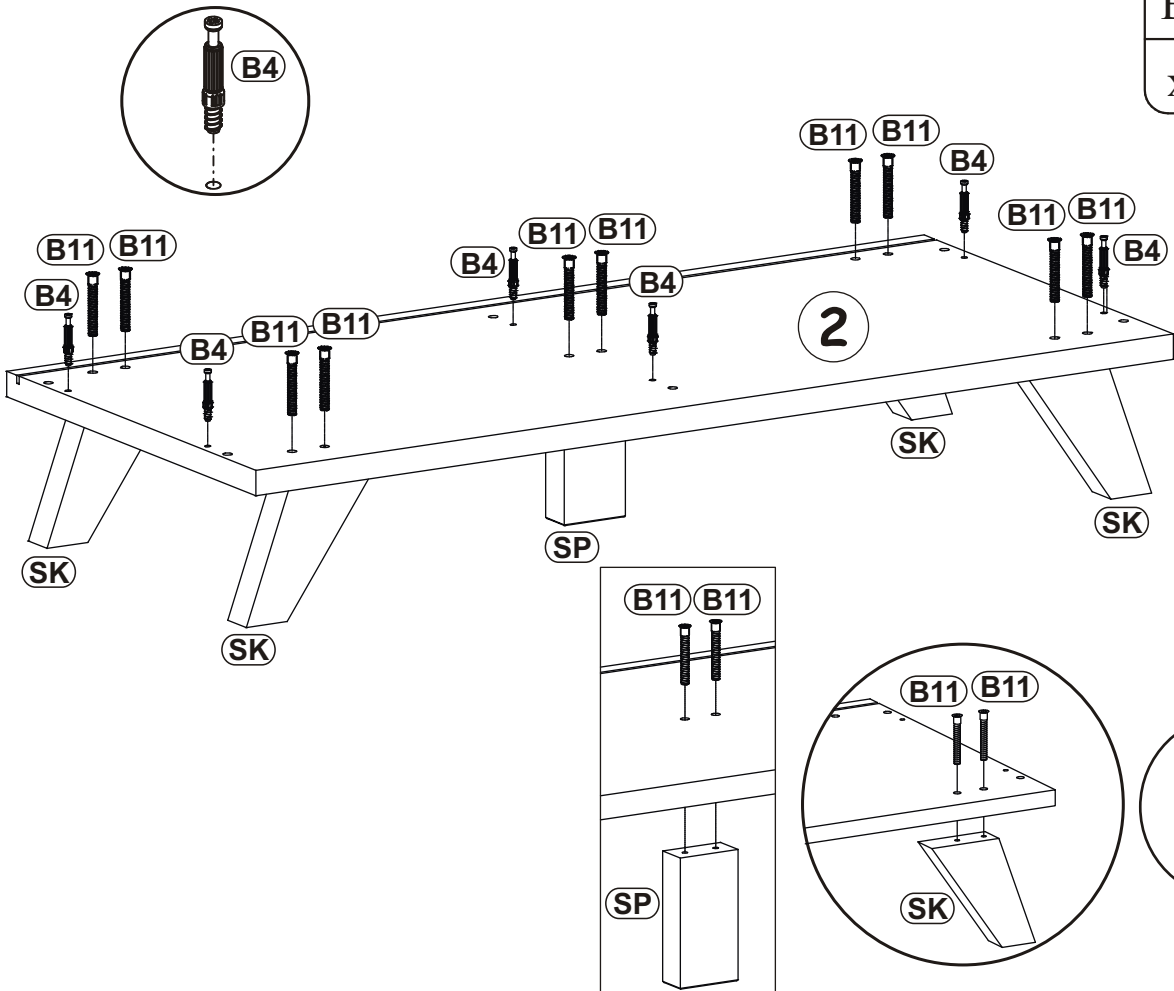
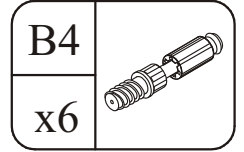
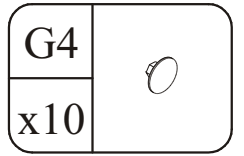
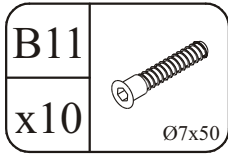
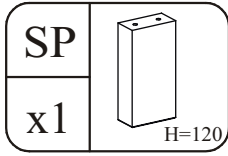
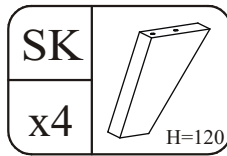
2



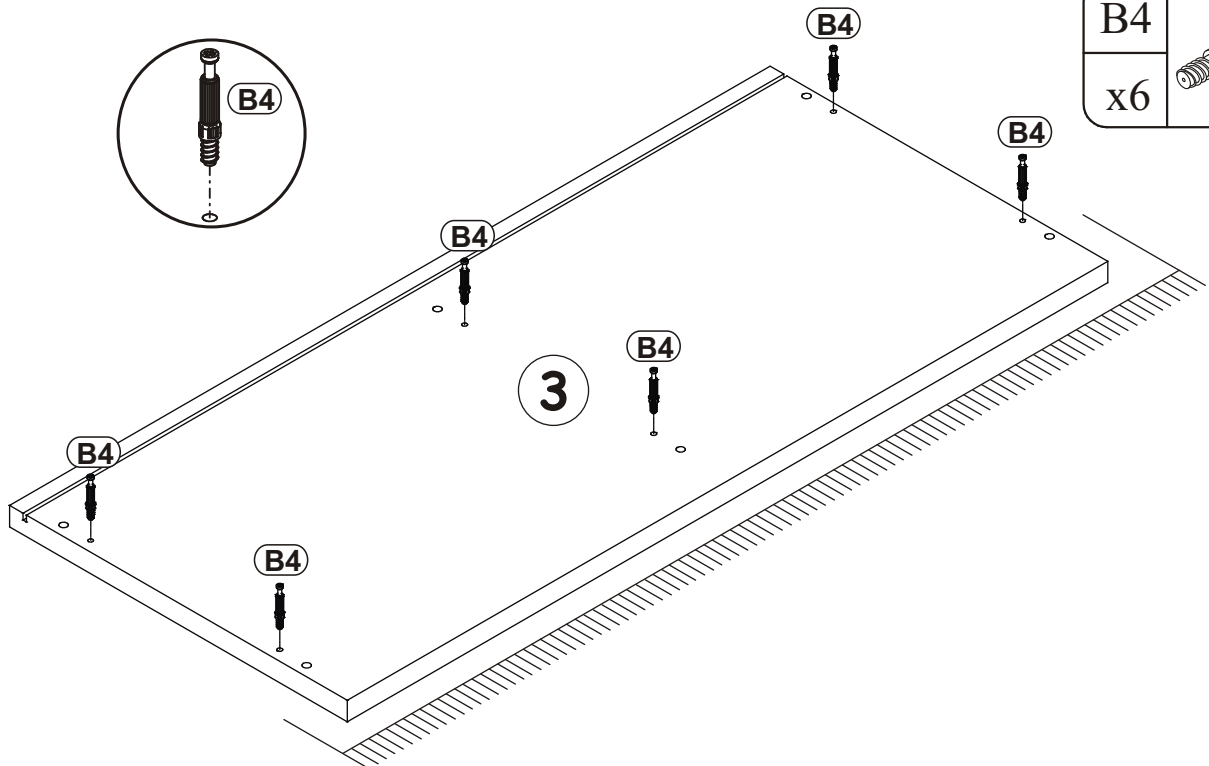
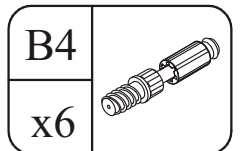
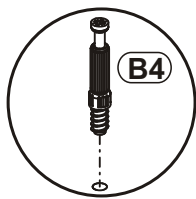
3



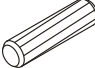
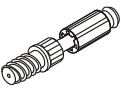
4

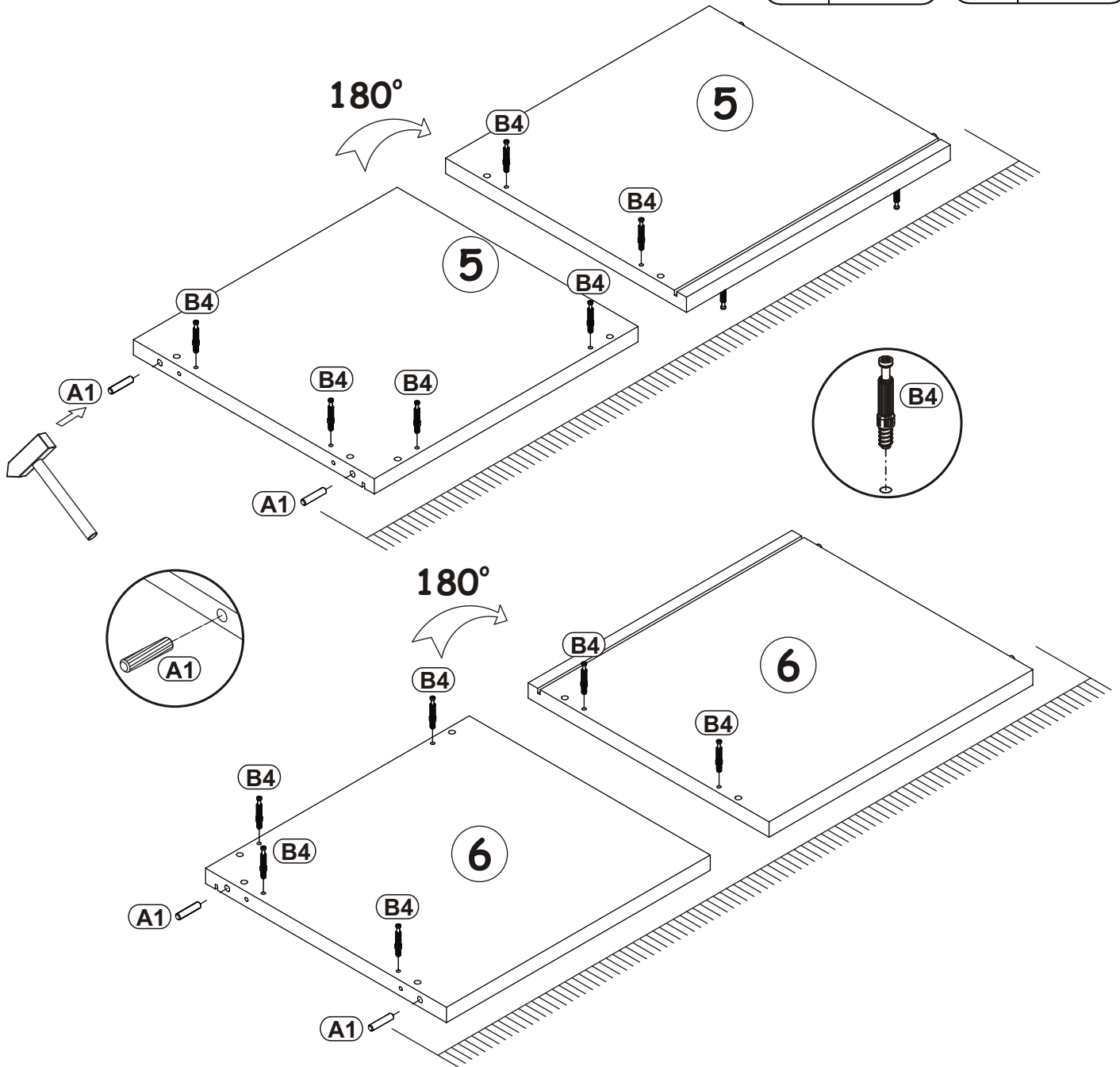


5

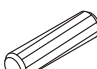


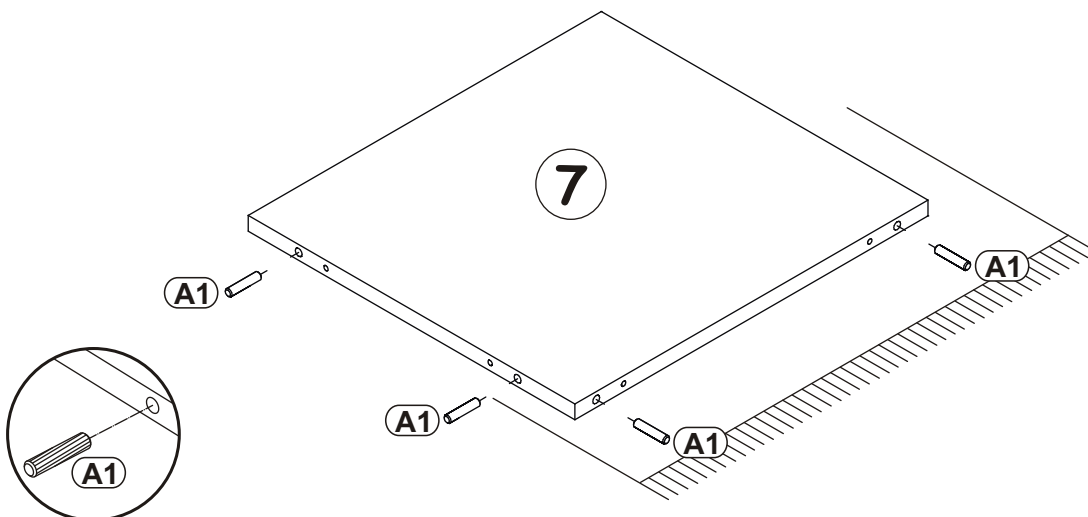
6

A1		B4	
x4	ø8x36	x12	

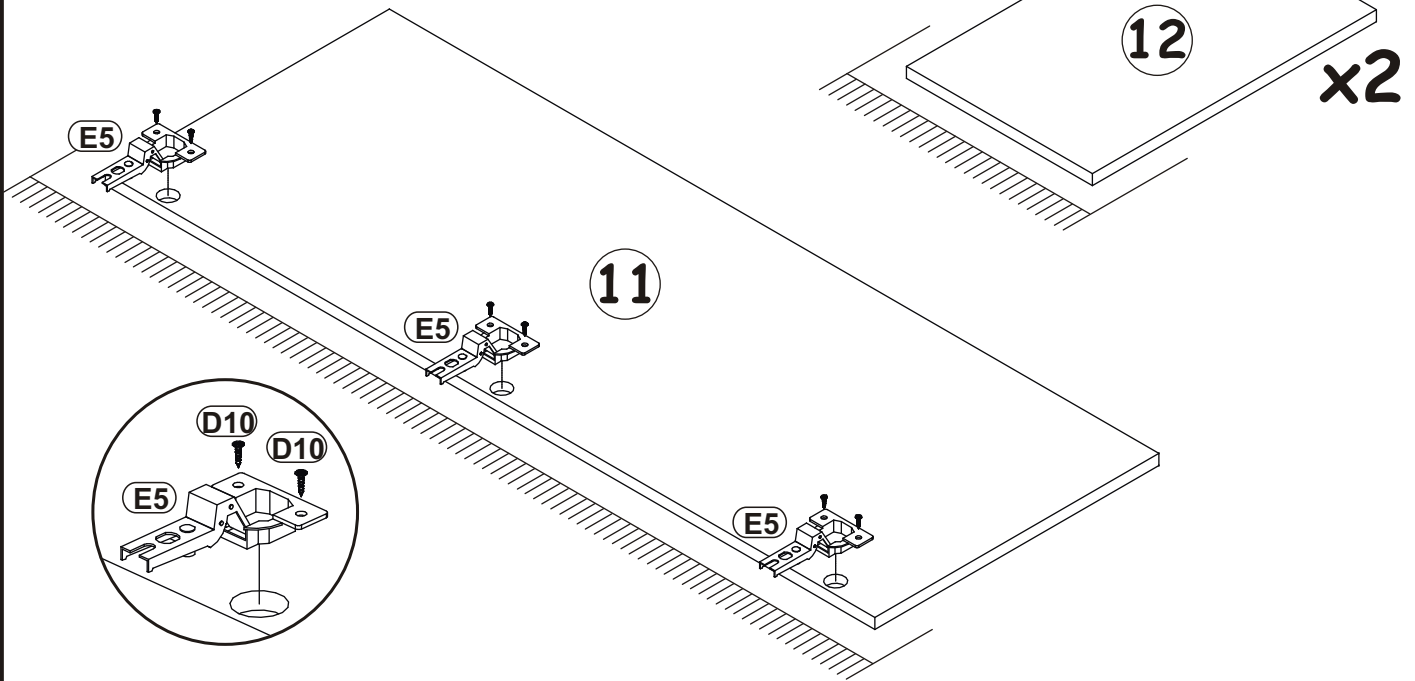
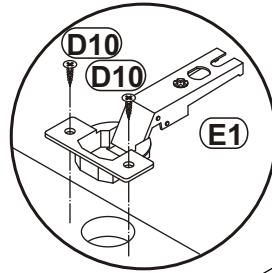
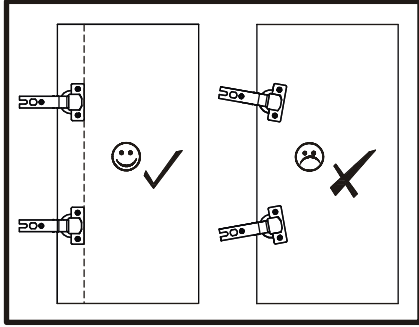
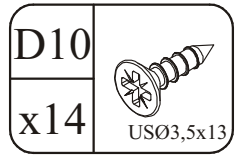
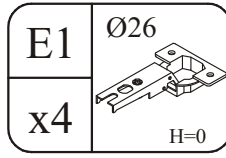
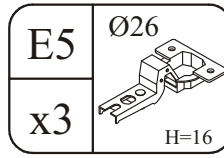


7

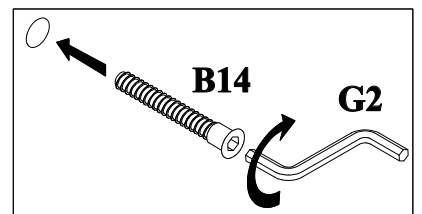
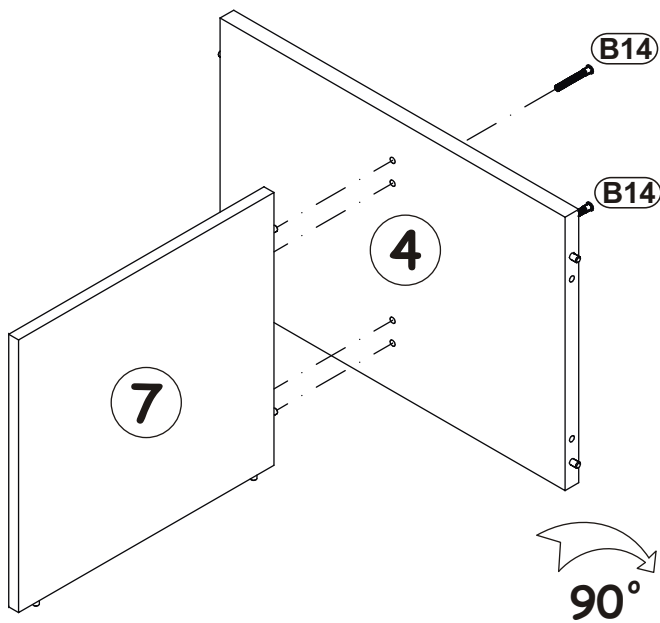
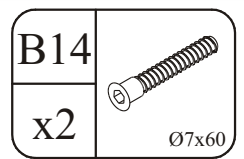
A1	
x4	ø8x36





8



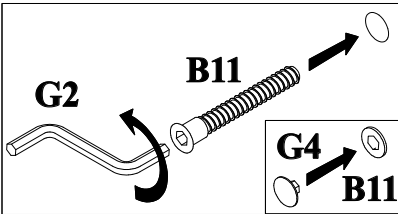
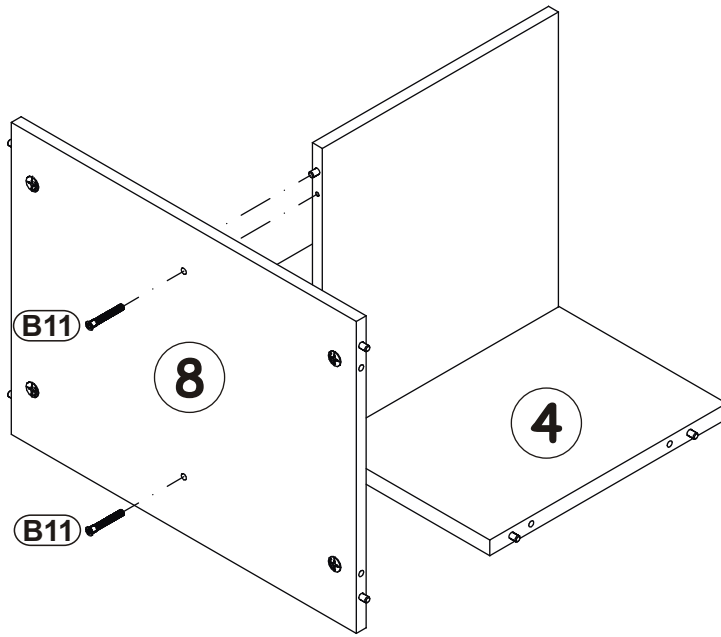
9



B11	
x2	Ø7x50


G4	
x2	

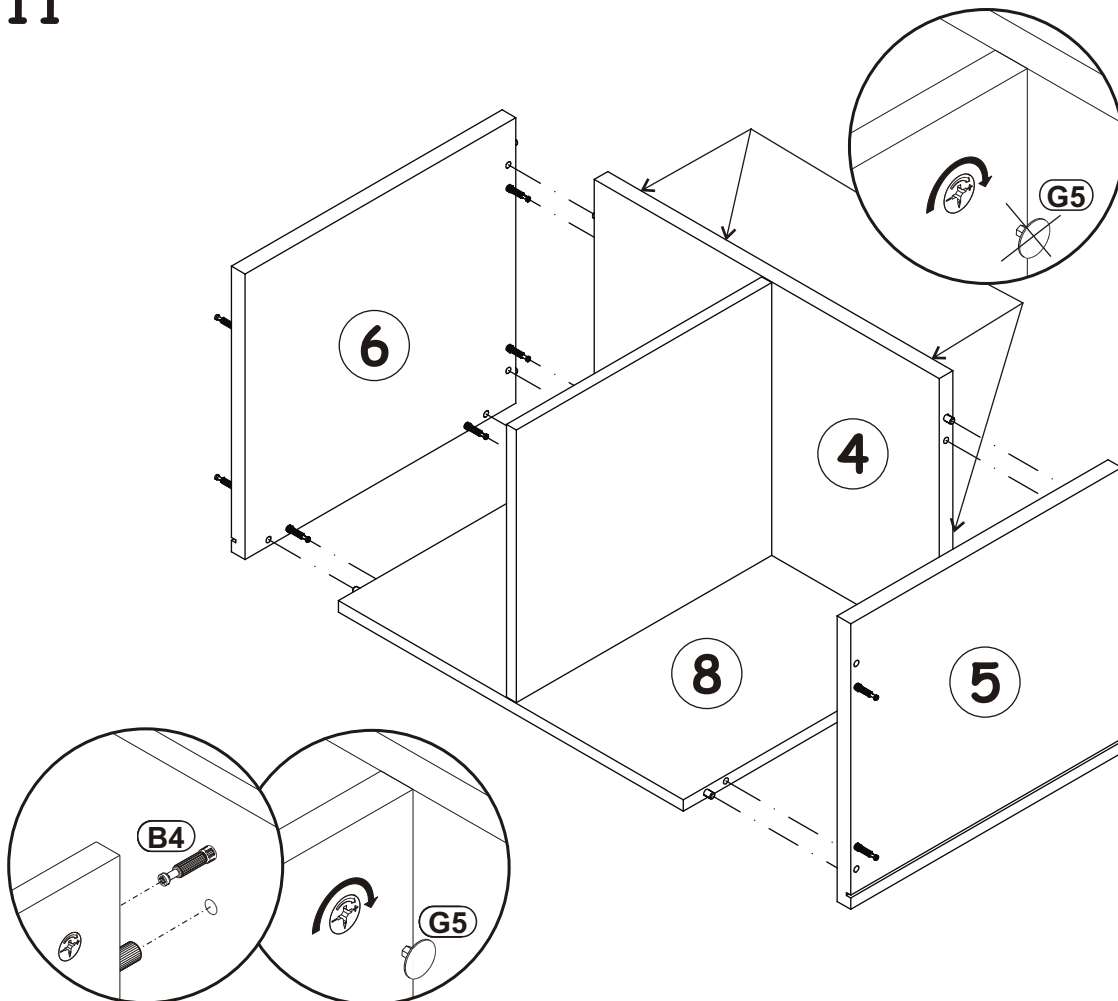
10



90°

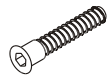


11

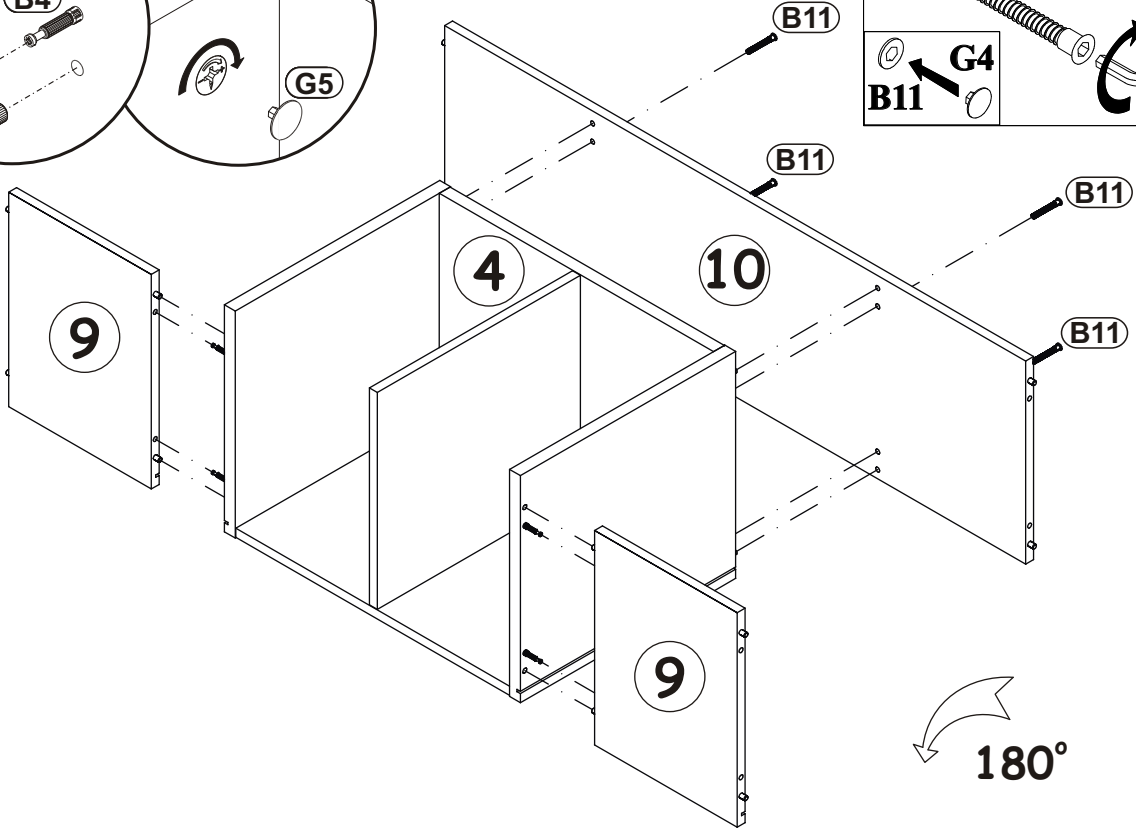
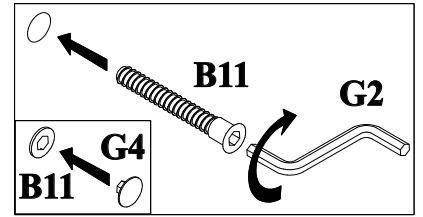
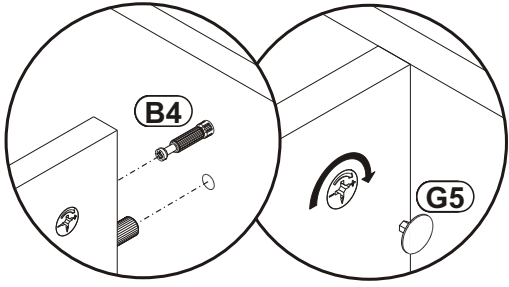
G5	
x4	






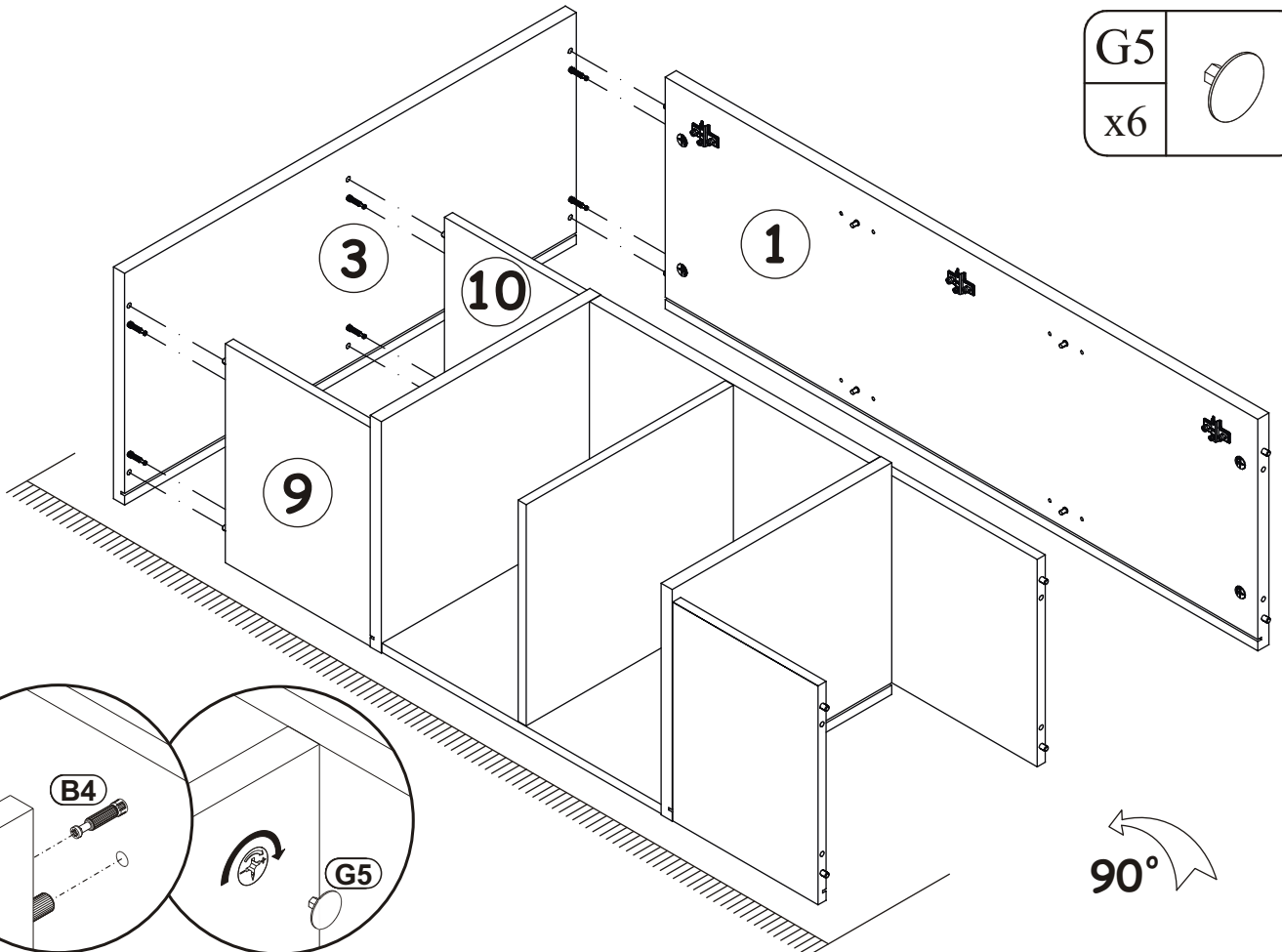
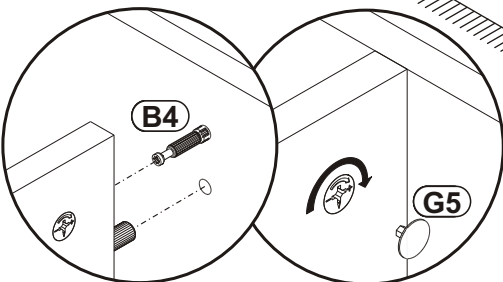
12

B11		G4		G5	
x4	Ø7x50	x4		x4	

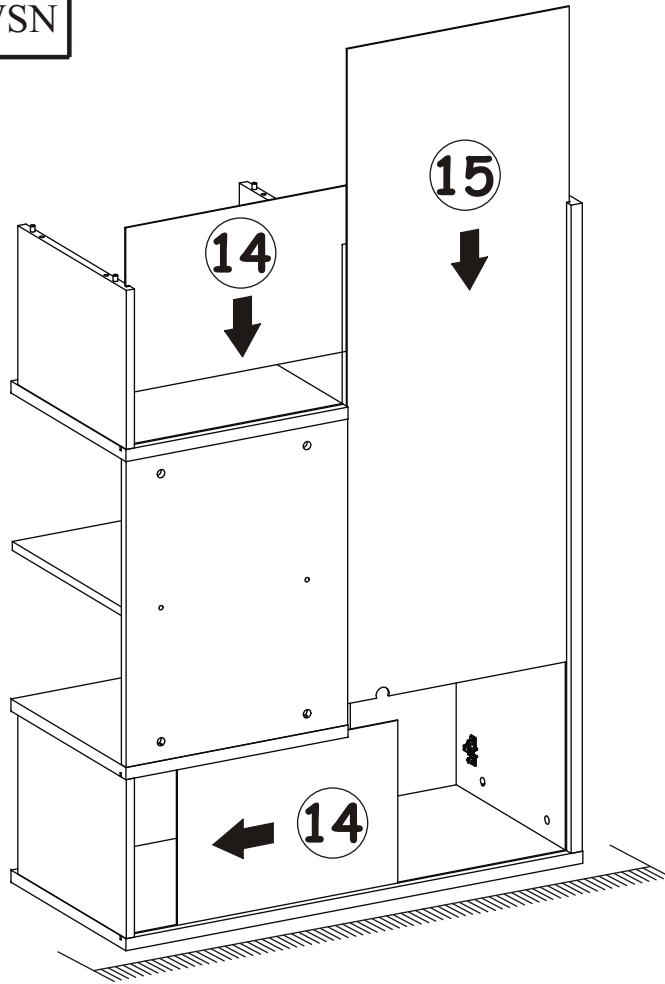


13

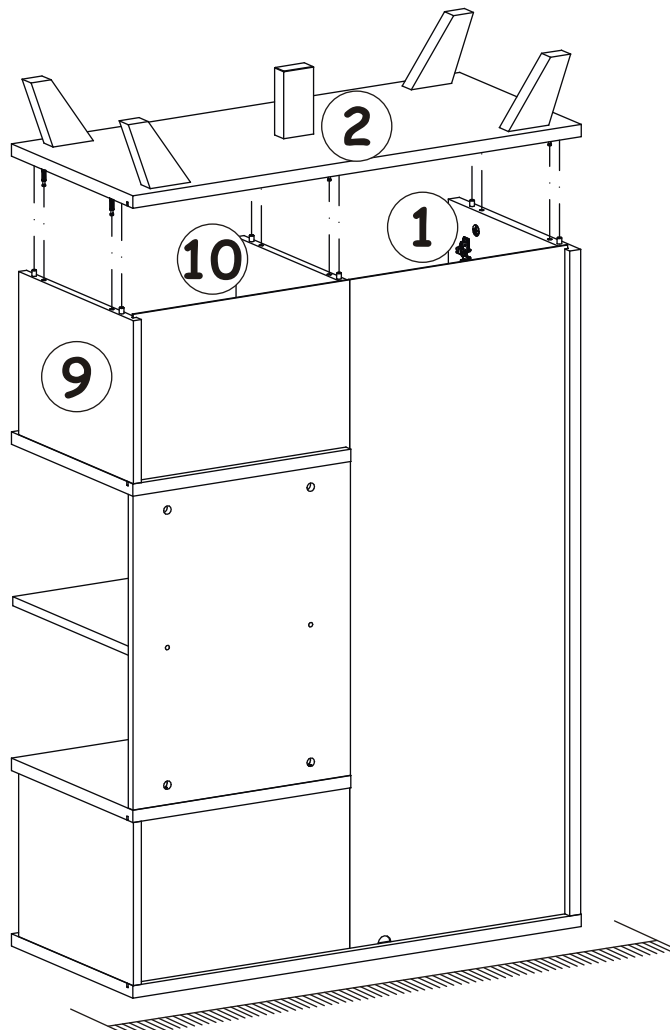
G5	
x6	




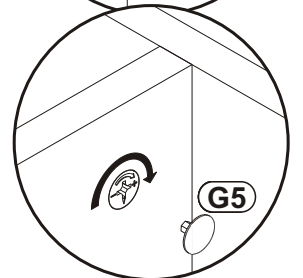
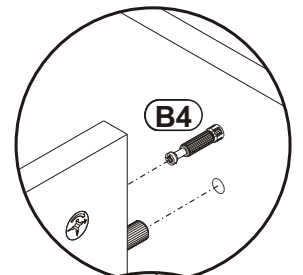
14

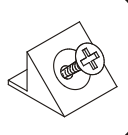
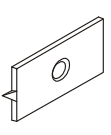



15

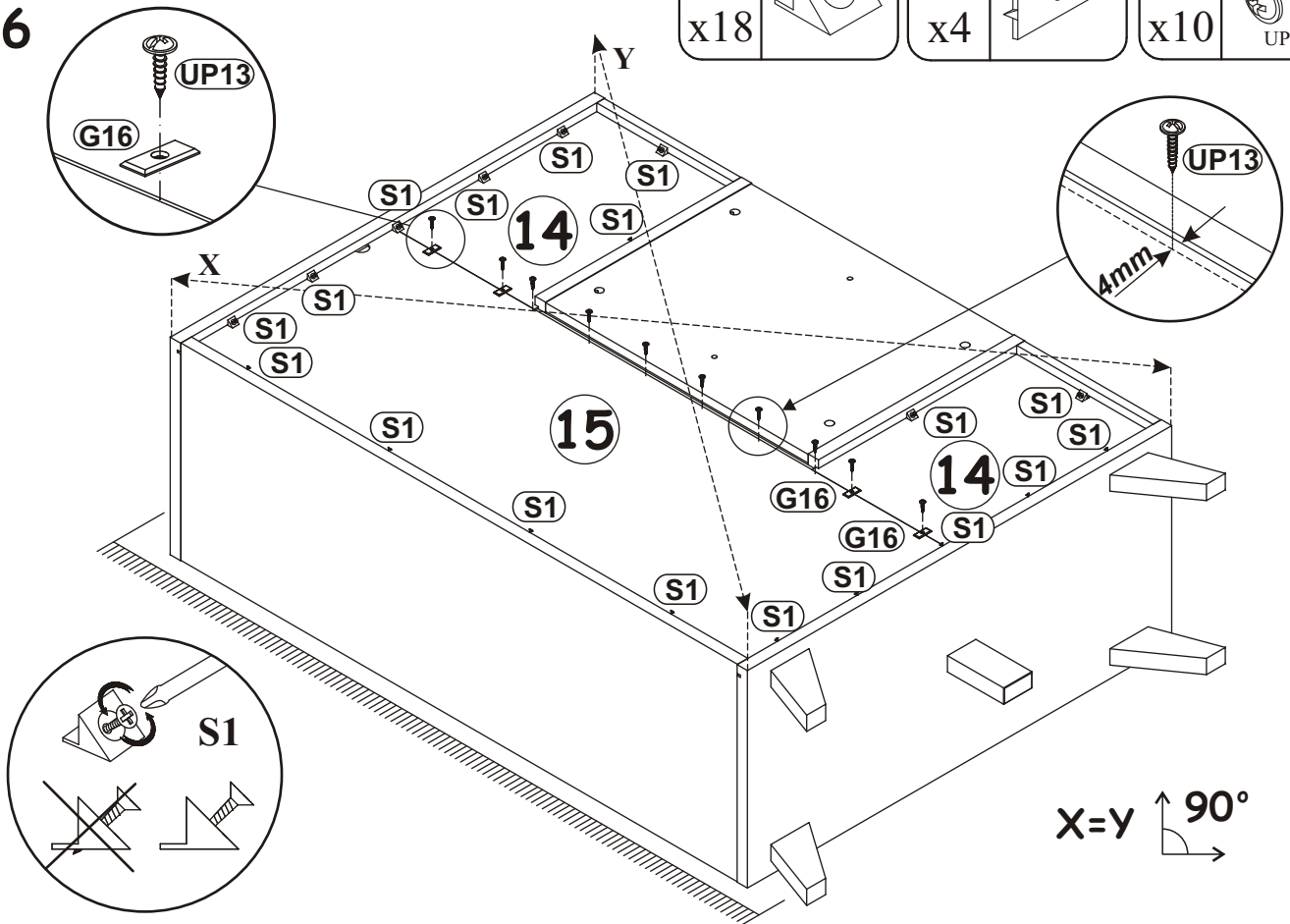


G5	
x6	

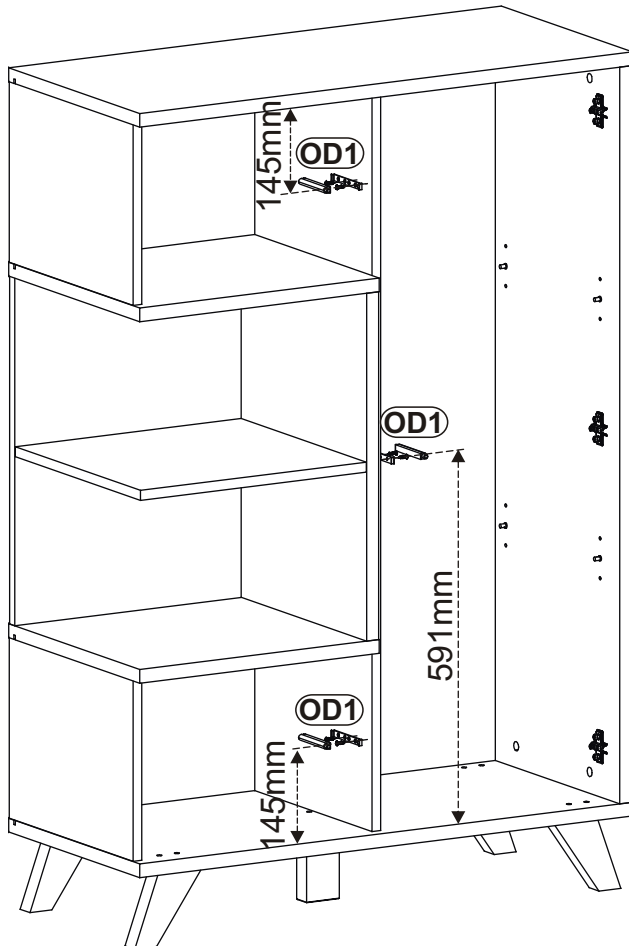


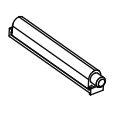

S1		G16		UP13	
x18		x4		x10	UPØ3x16

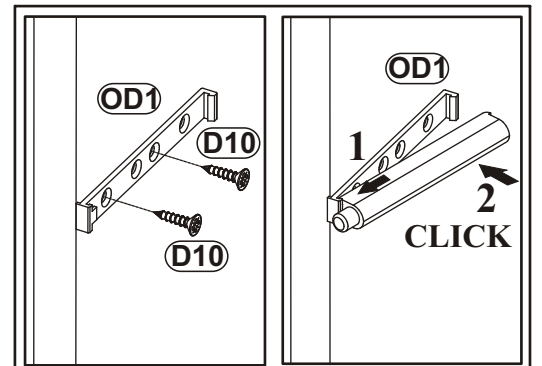
16



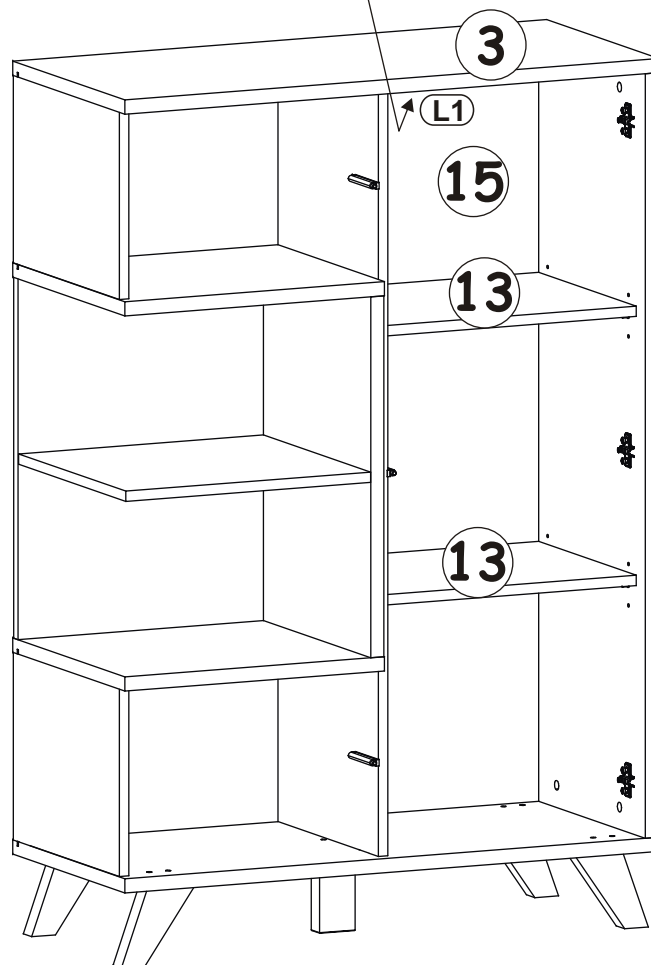
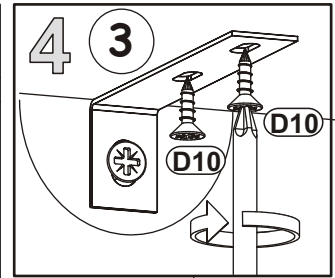
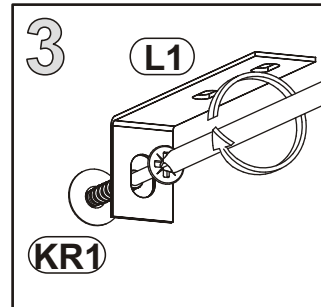
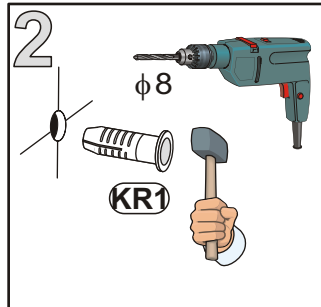
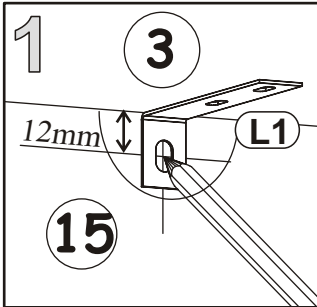
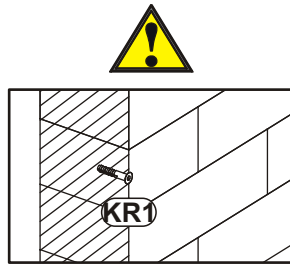
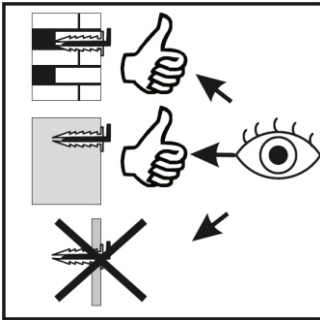
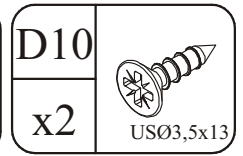
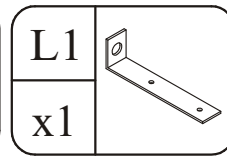
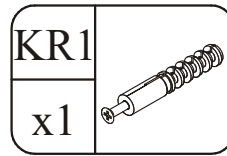
17



OD1	
x3	
D10	
x6	USØ3,5x13



18



19

