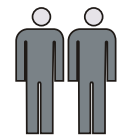
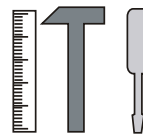
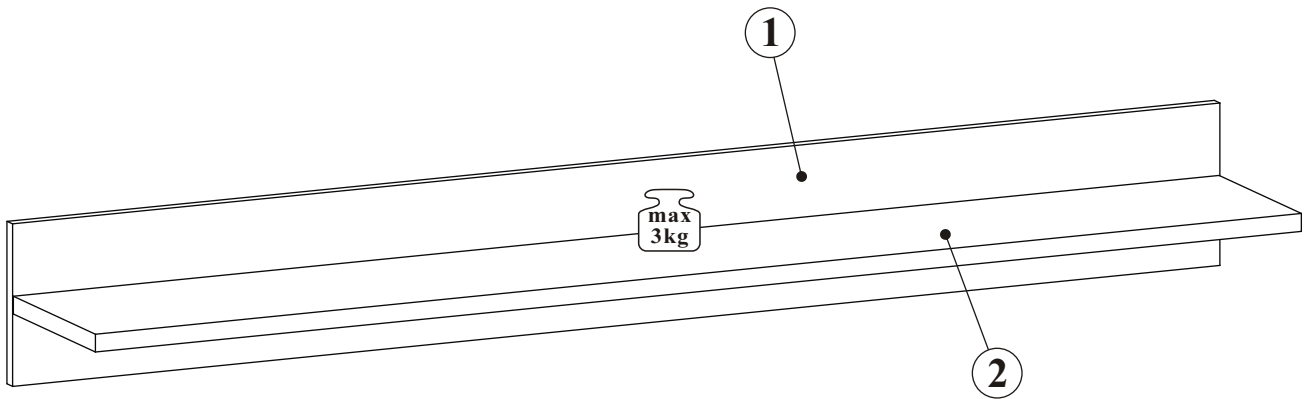
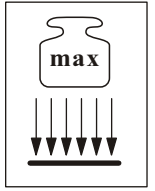


BOGOTA 20_BA PW

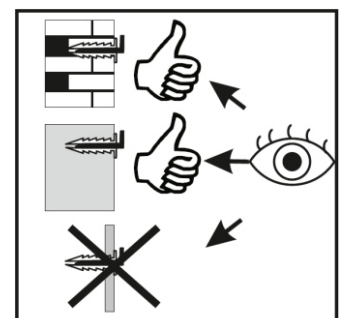
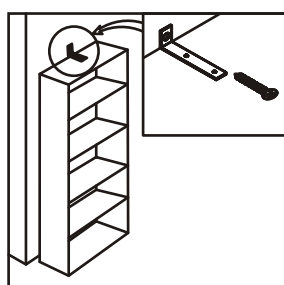
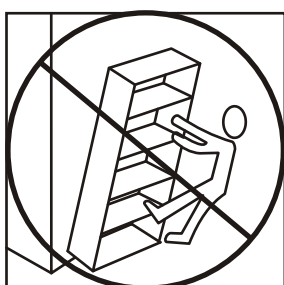
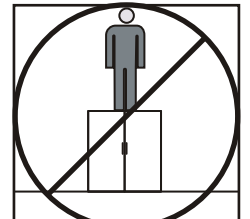
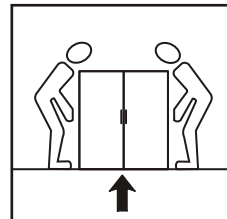
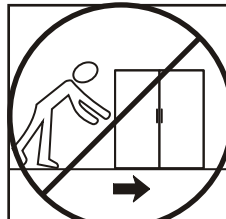
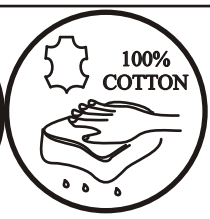
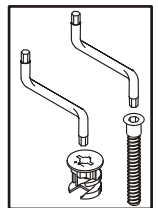
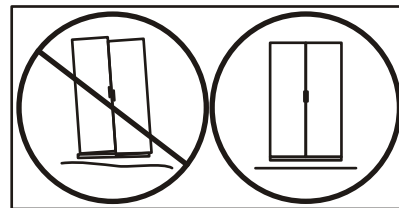
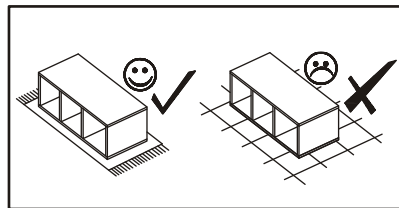
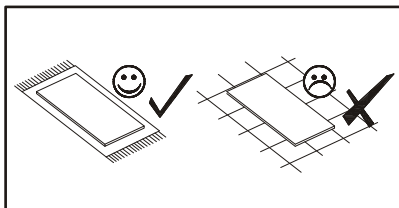
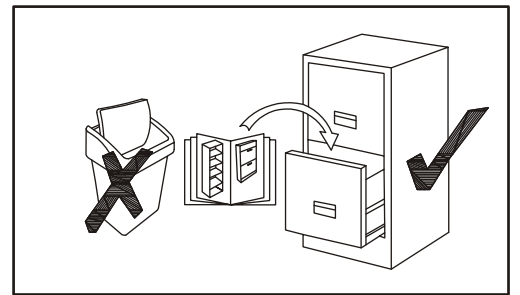
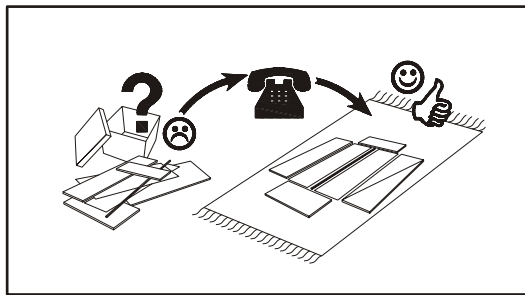
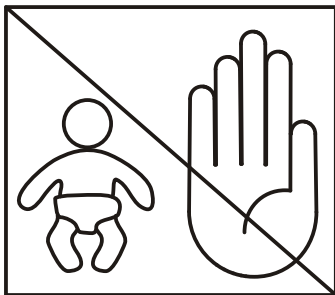
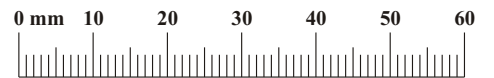


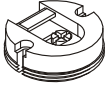


20 min

NO	Dim.			Col.-No	Qty
1	1600	200	16	1 / 1.	1
2	1598	234	22	1 / 1.	1

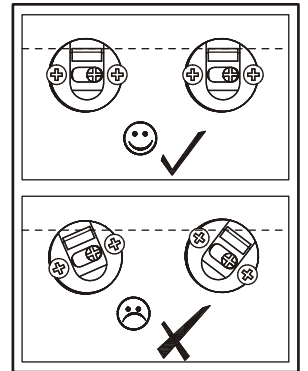
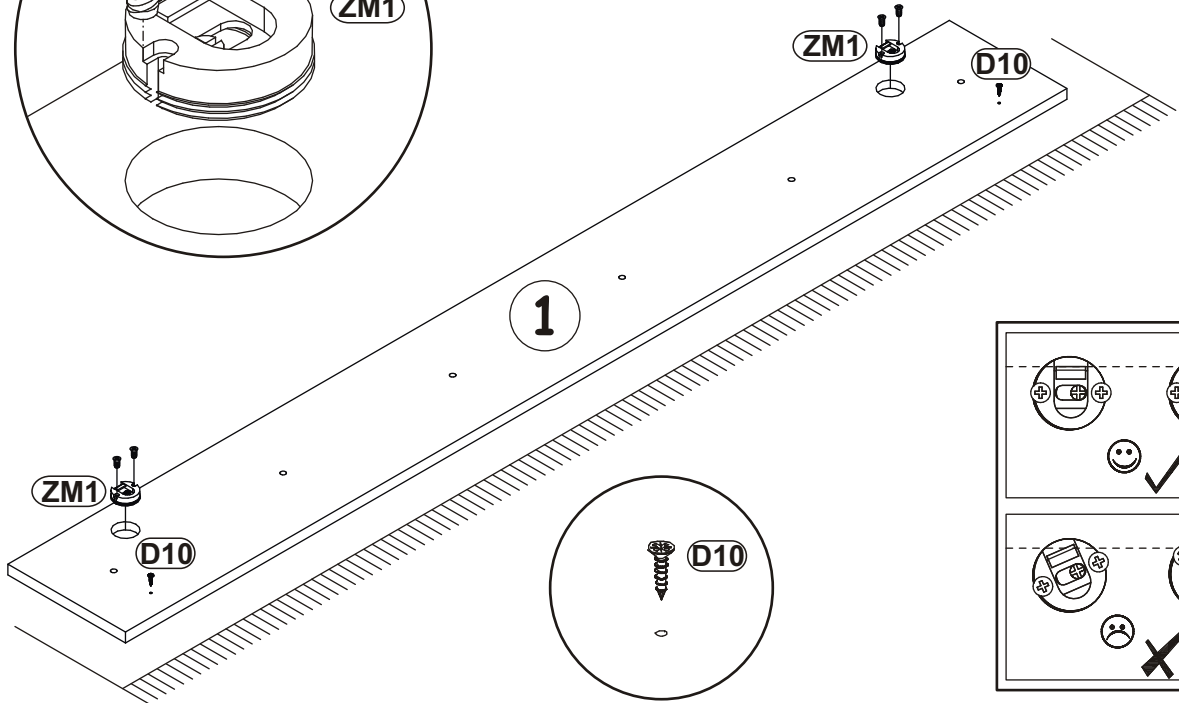
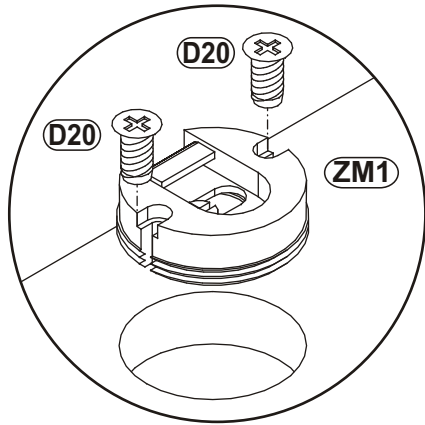
BOGOTA 20__BA PW

B14 x6 Ø7x60	G4 x6	ZM1 x2	D20 x4 ESØ6x9,5	D10 x2 USØ3,5x13	P3 x2
KR3 x2 Ø10	G2 x1				





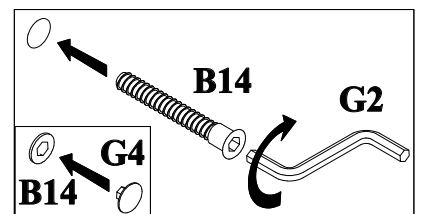
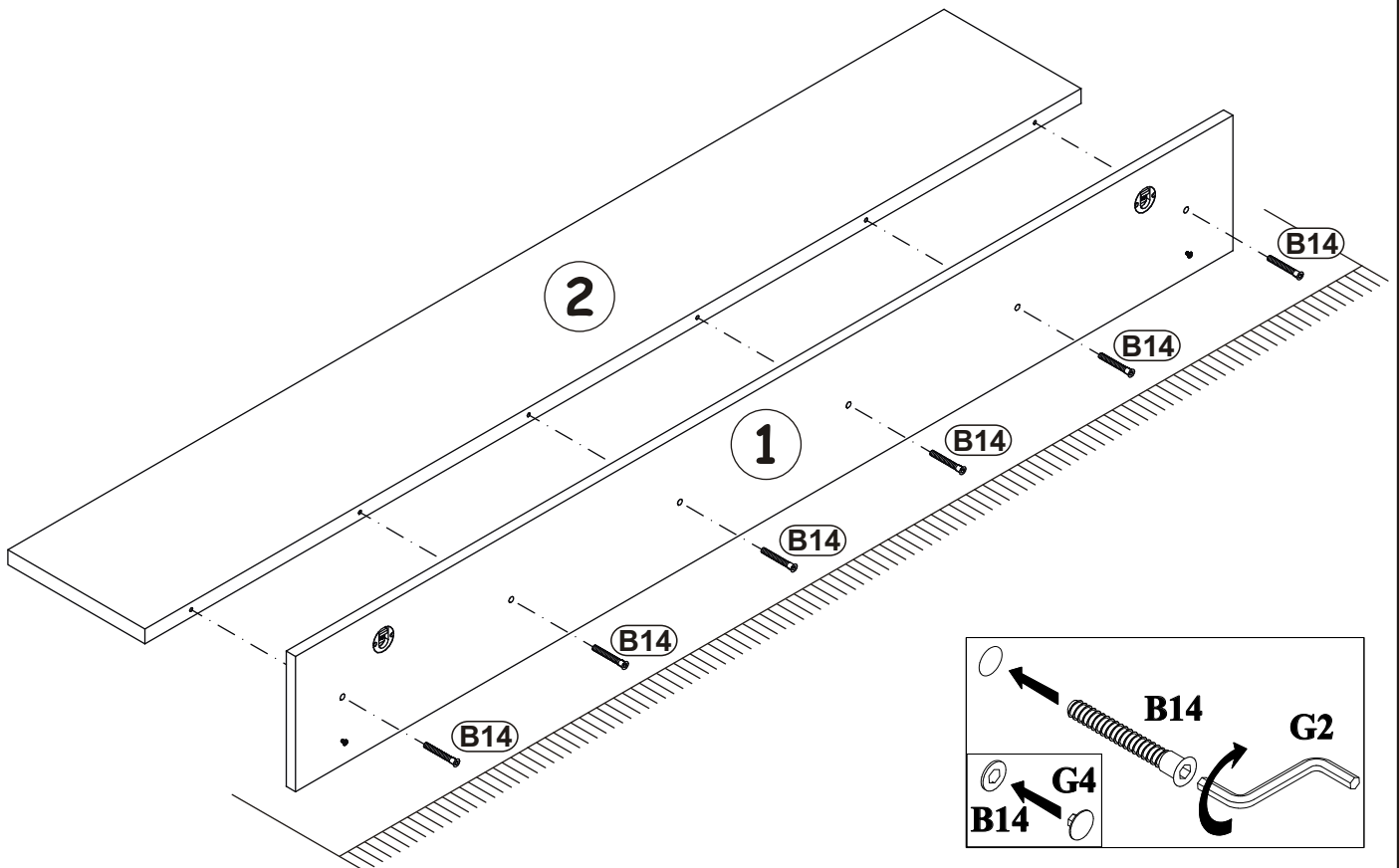
ZM1		D20		D10	
x2		x4	ESØ6x9,5	x2	USØ3,5x13

1




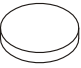
2

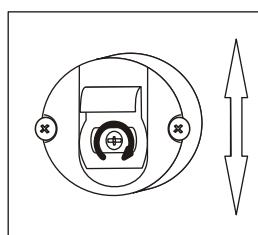
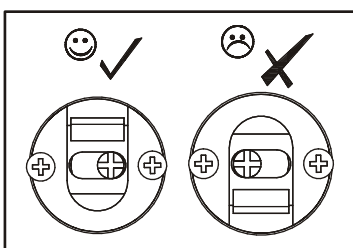
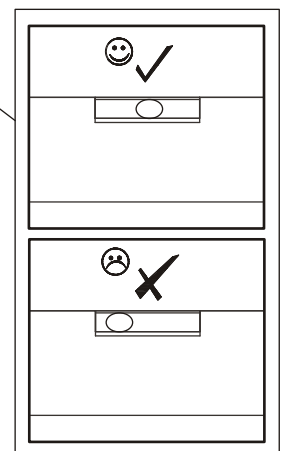
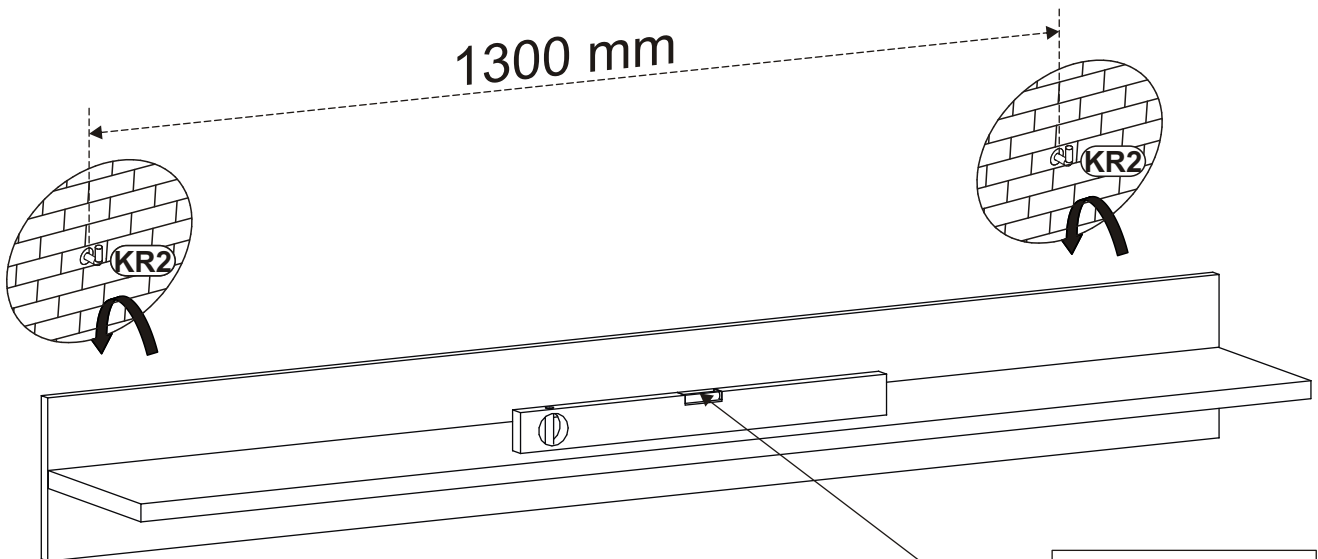
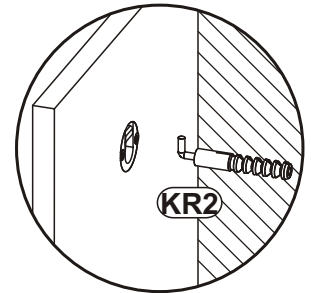
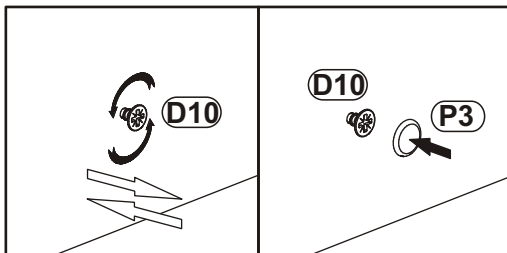
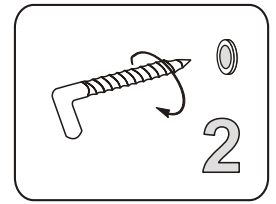
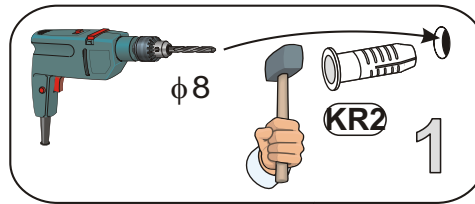
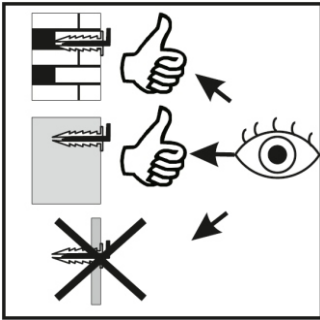
B14		G4	
x6	Ø7x60	x6	



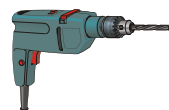
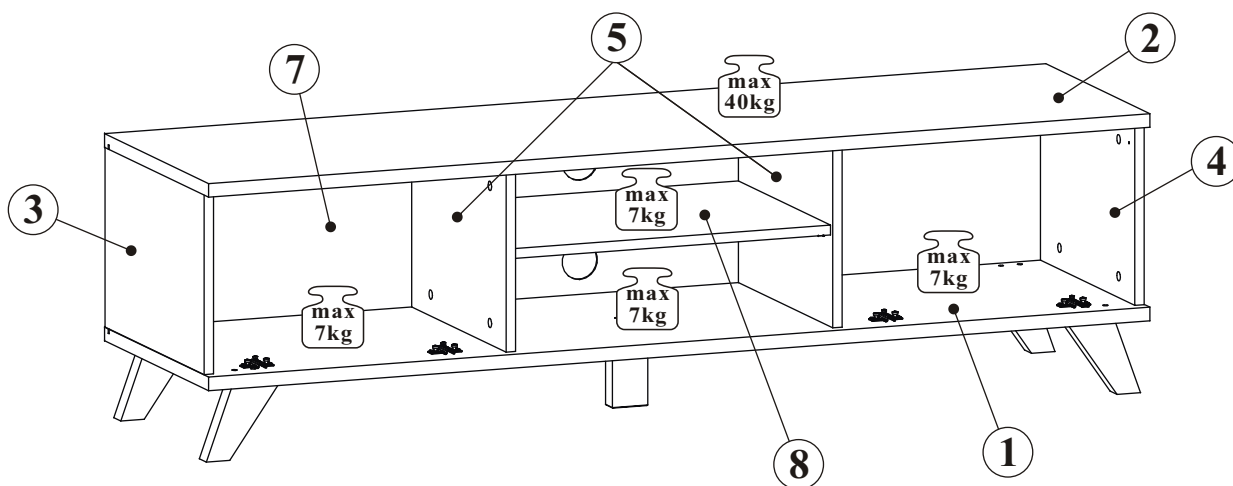
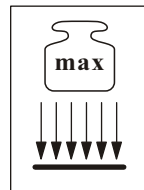
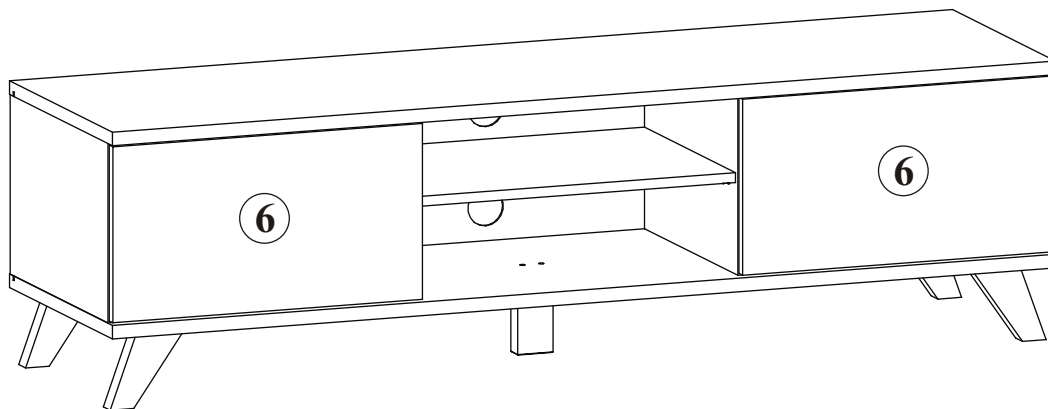
3

KR2	
x2	

P3	
x2	



BOGOTA 20_BA RTV

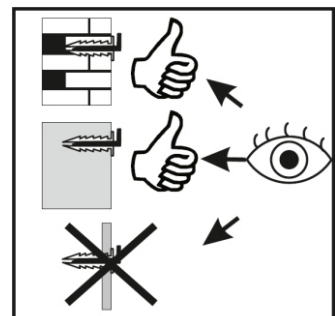
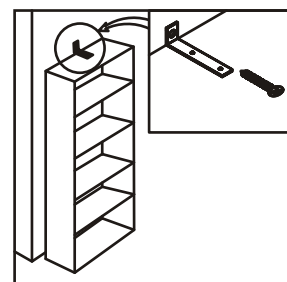
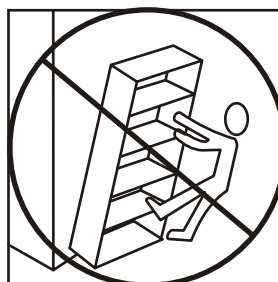
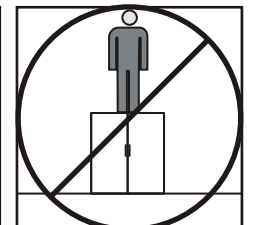
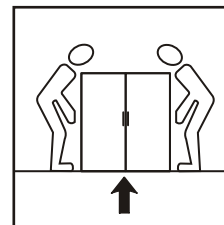
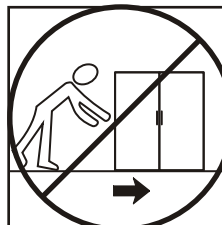
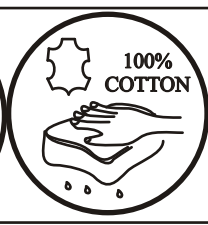
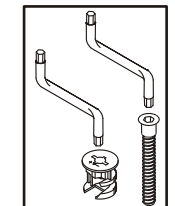
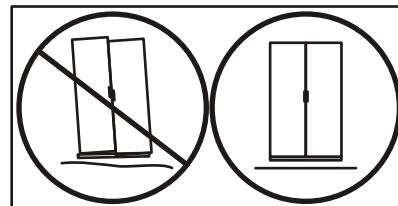
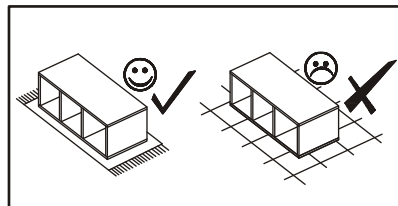
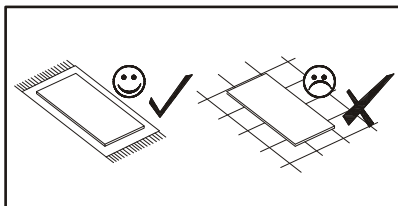
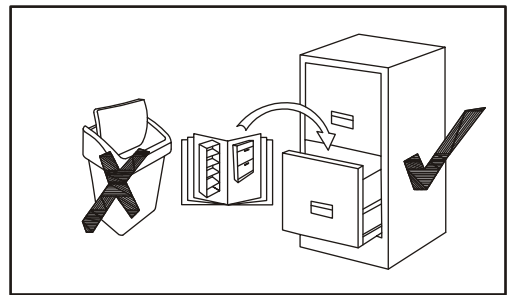
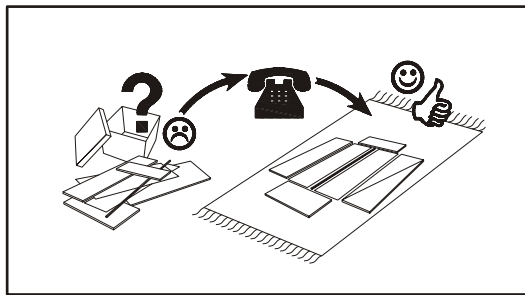
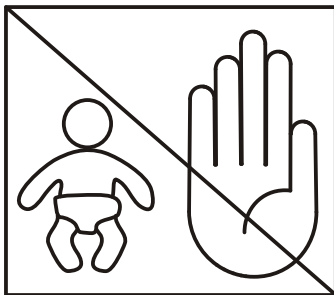
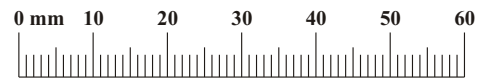


60 min

NO	Dim.		Col.-No	Qty	
1	1602	450	22	2 / 2.	1
2	1602	450	22	2 / 2.	1
3	290	428	16	1 / 2.	1
4	290	428	16	1 / 2.	1
5	290	408	16	1 / 2.	2
6	526	284	16	1 / 2.	2
7	1580	302	3	2 / 2.	1
8	540	398	16	1 / 2.	1

BOGOTA 20_BARTV

A1 x16 ø8x36	B4 x16	B5 x16 ø15x12	G5 x16	BO1 x2	G7 x4
E5 x4 Ø26 H=16	E4 x4 H=2	D10 x24 USØ3,5x13	OD1 x2	B11 x10 Ø7x50	G4 x10
SK x4 H=120	SP x1 H=120	S1 x14	UP13 x4 UPØ3x16	KR1 x1	L1 x1
G2 x1					



BOGOTA 20_BARTV

1

SK	
x4	

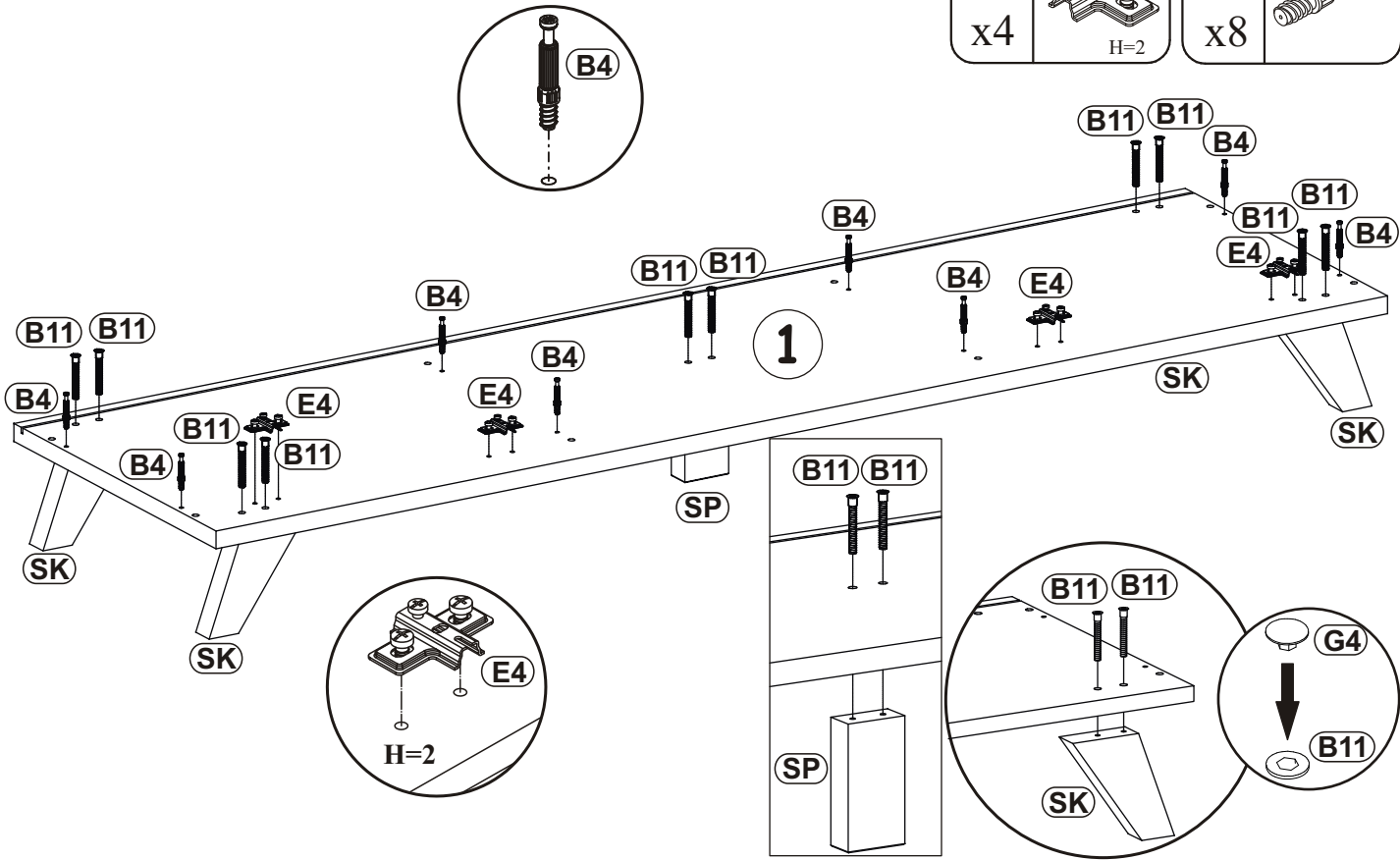
SP	
x1	

B11	
x10	

G4	
x10	

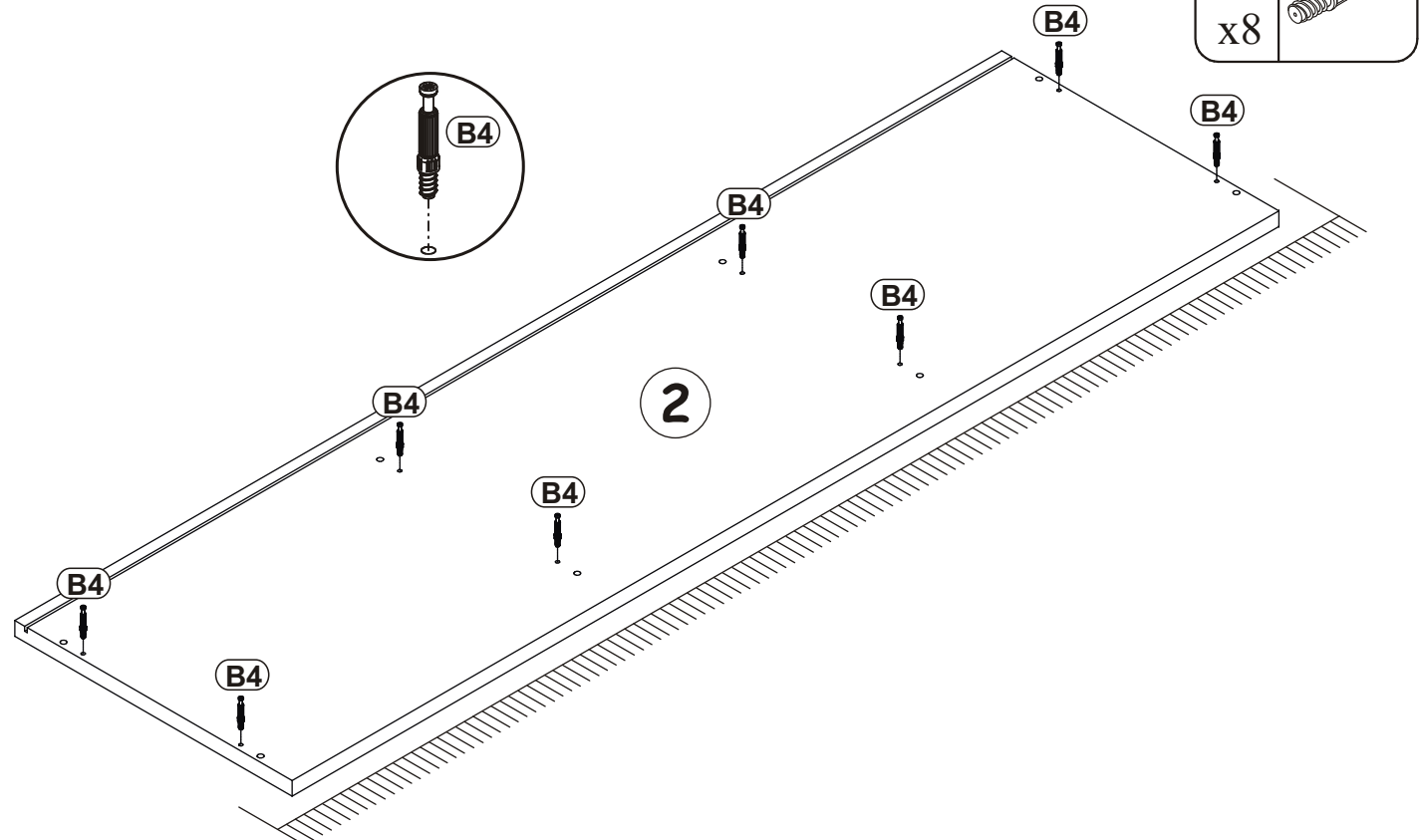
E4	
x4	

B4	
x8	

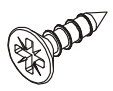
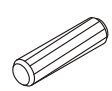
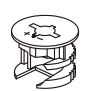
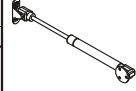


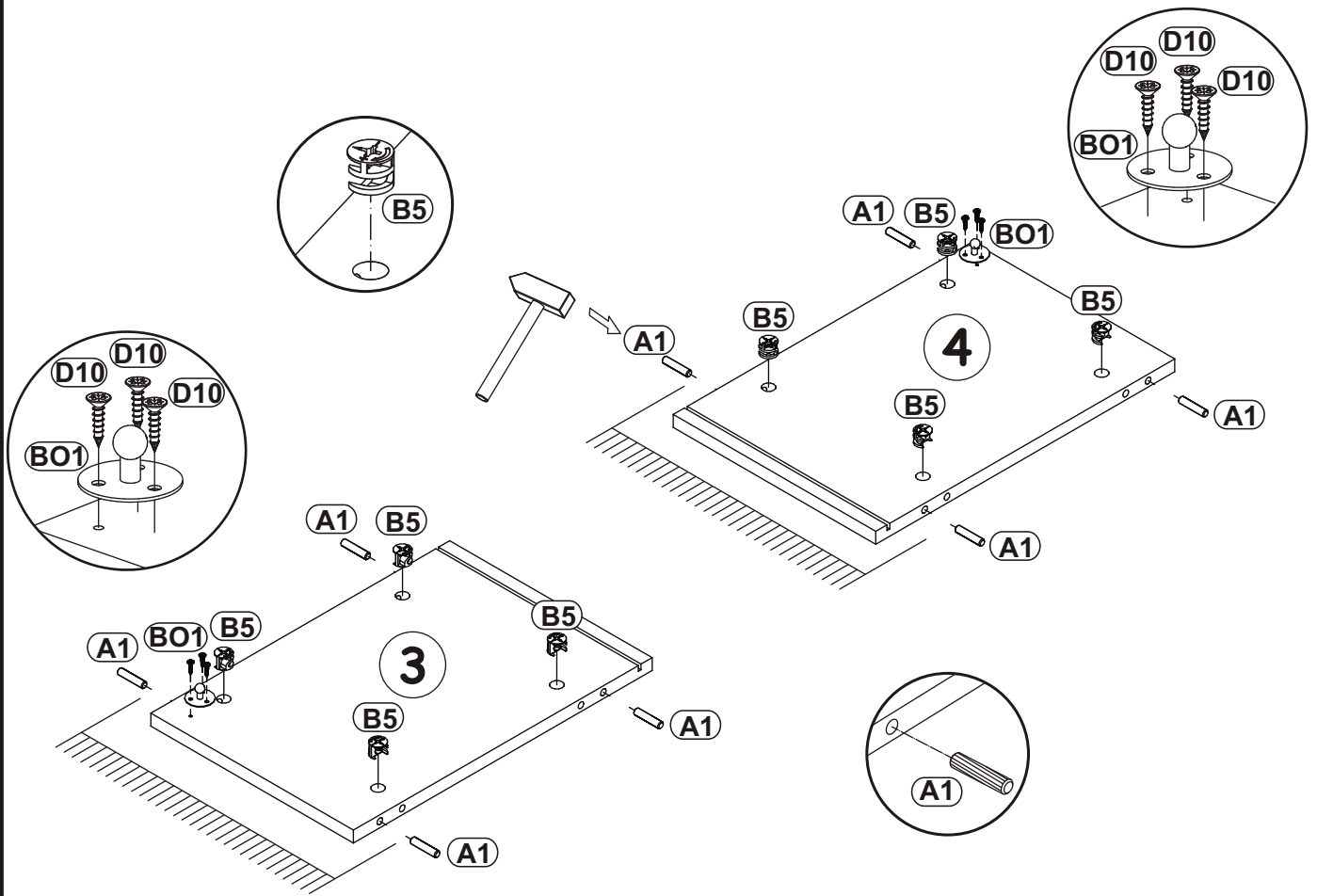
2

B4	
x8	

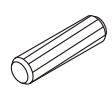

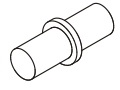


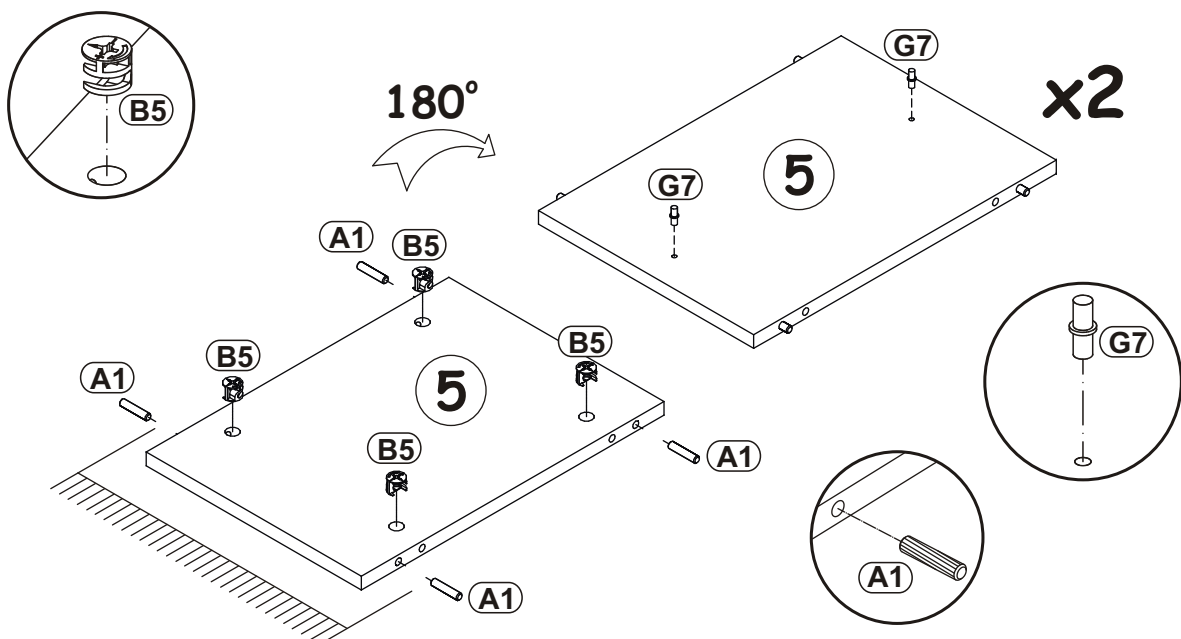
3

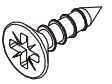
D10		A1		B5		BO1	
x6	USØ3,5x13	x8	ø8x36	x8	ø15x12	x2	



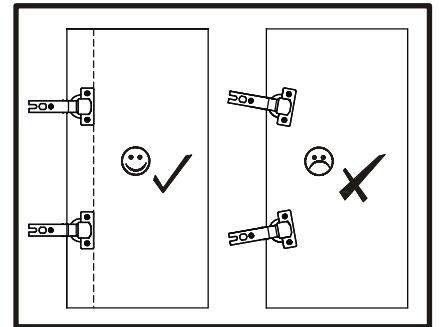
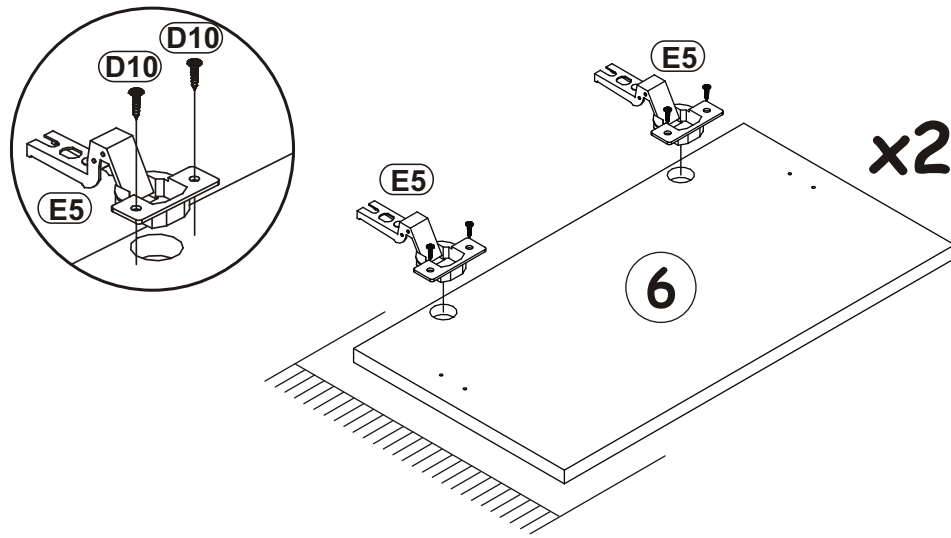
4

A1		B5		G7	
x8	ø8x36	x8	ø15x12	x4	




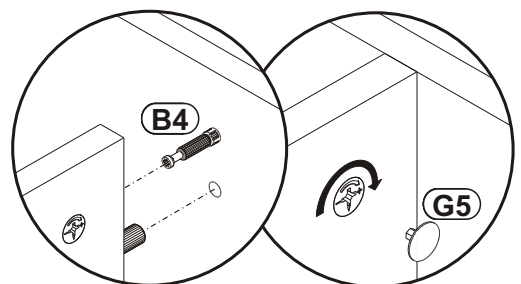
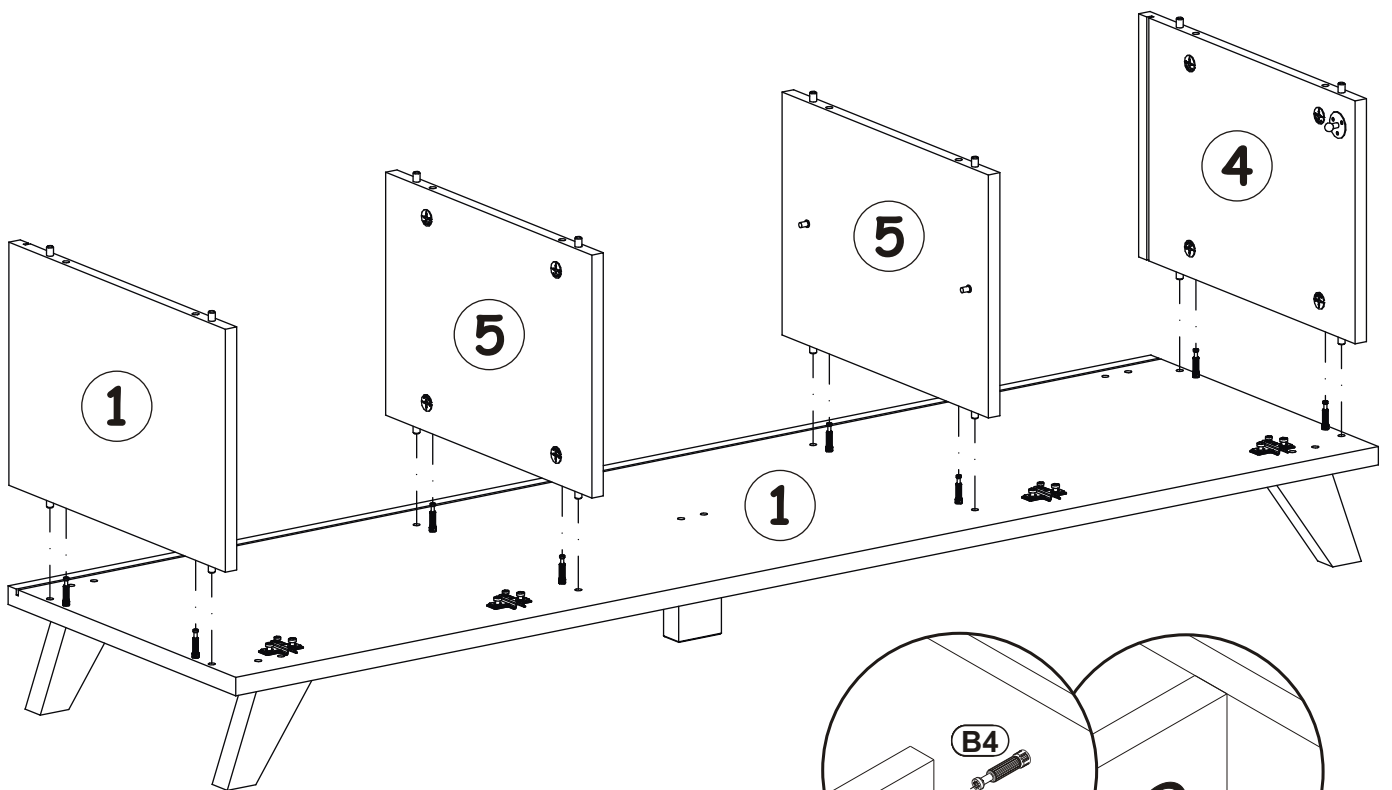
E5	Ø26	D10	 USØ3,5x13
x4	H=16	x8	

5

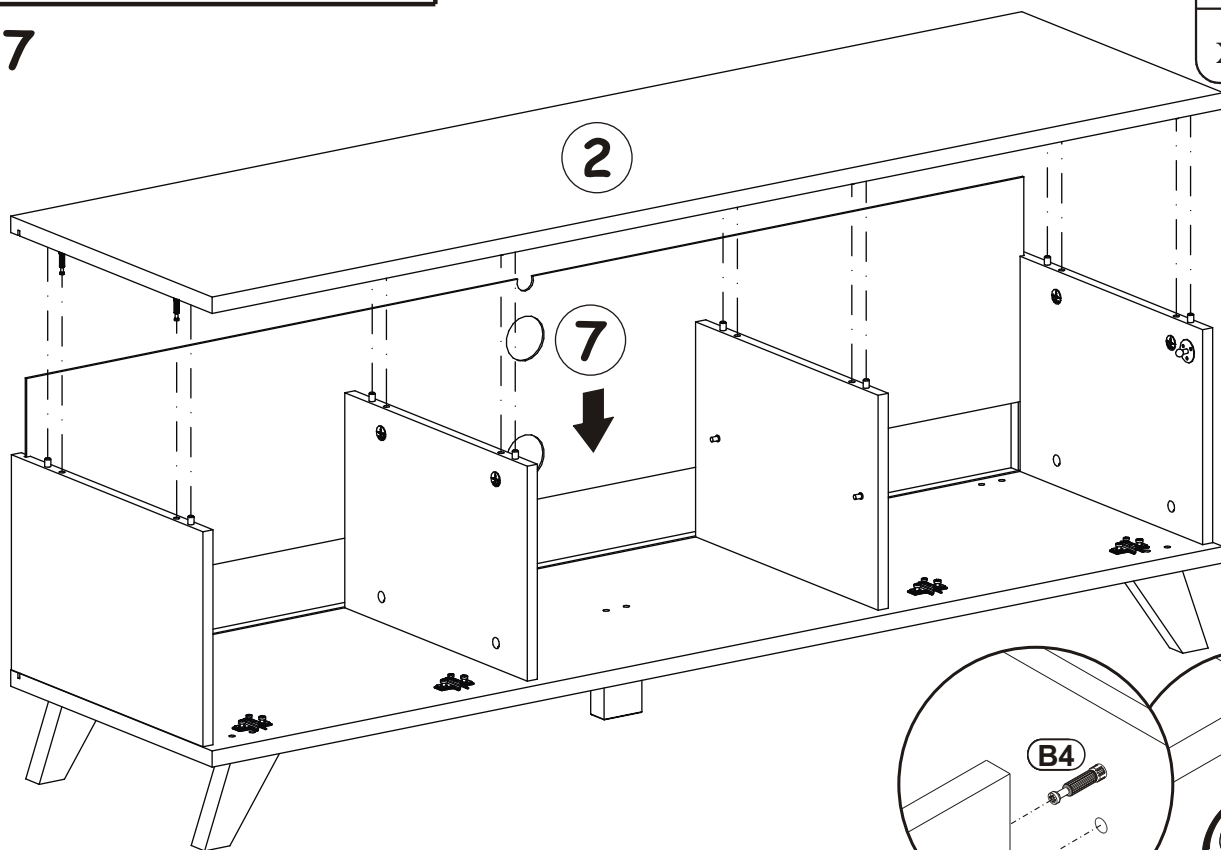



6

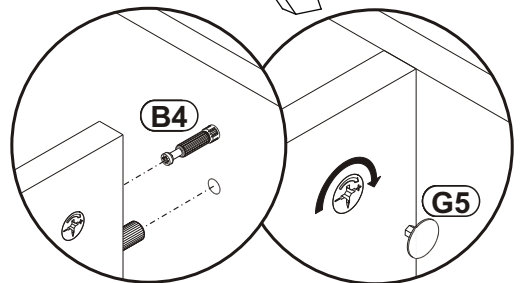
G5	
x8	



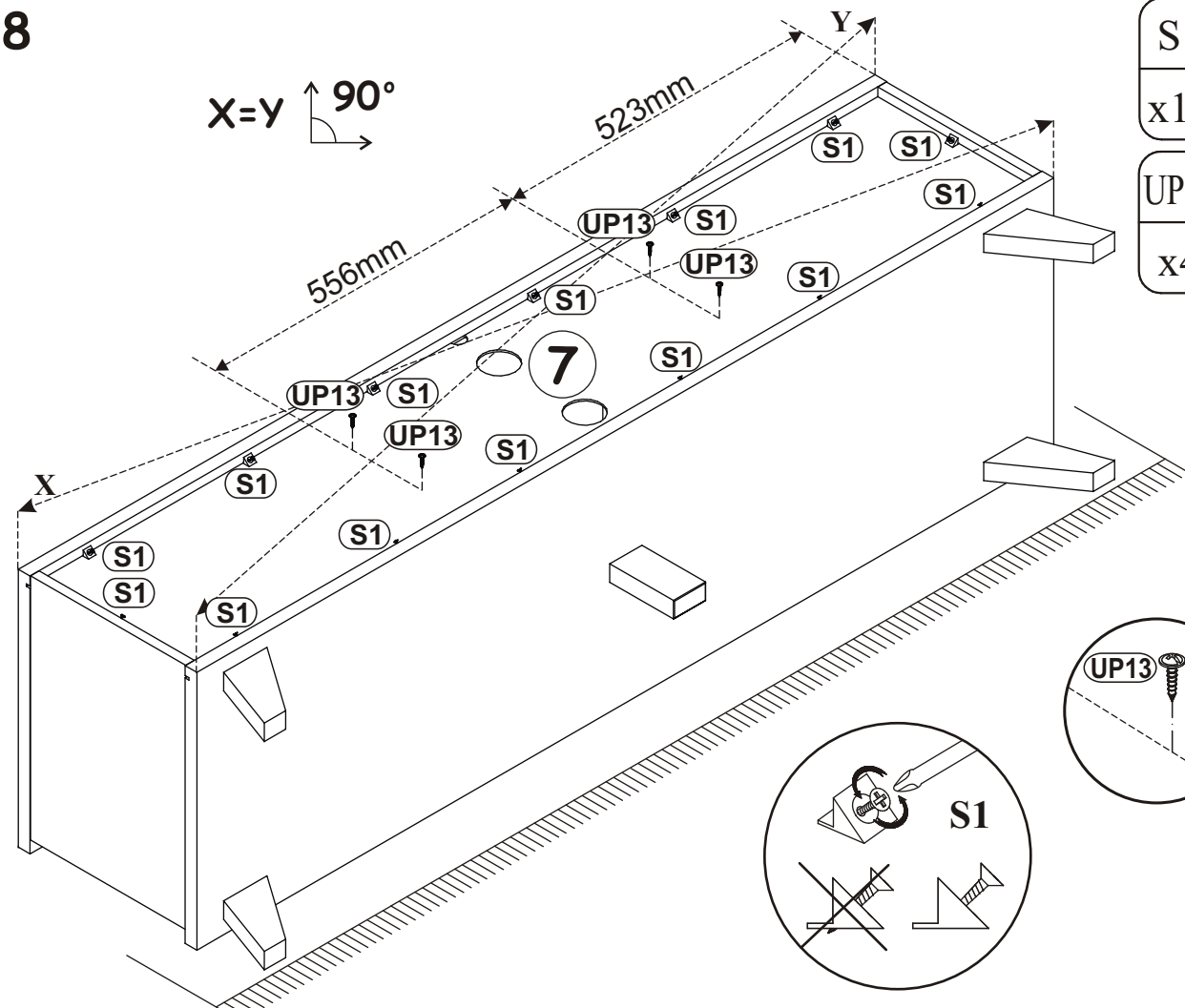
7

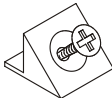


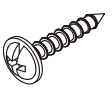
G5	
x8	

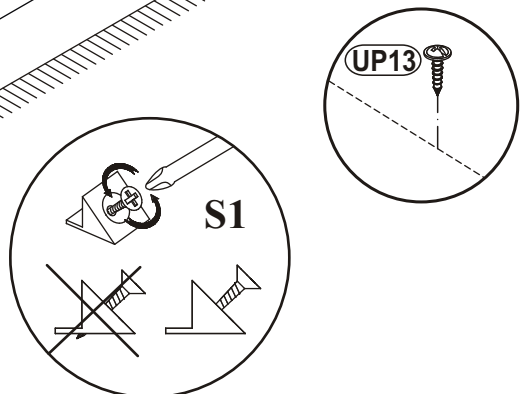


8

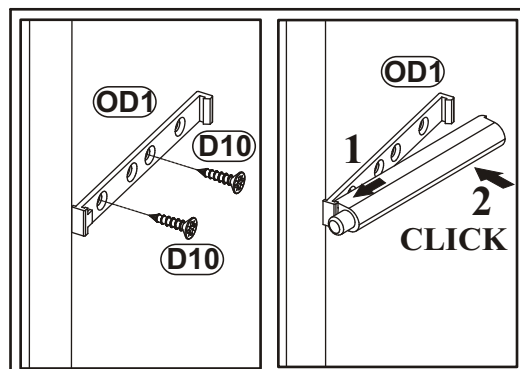
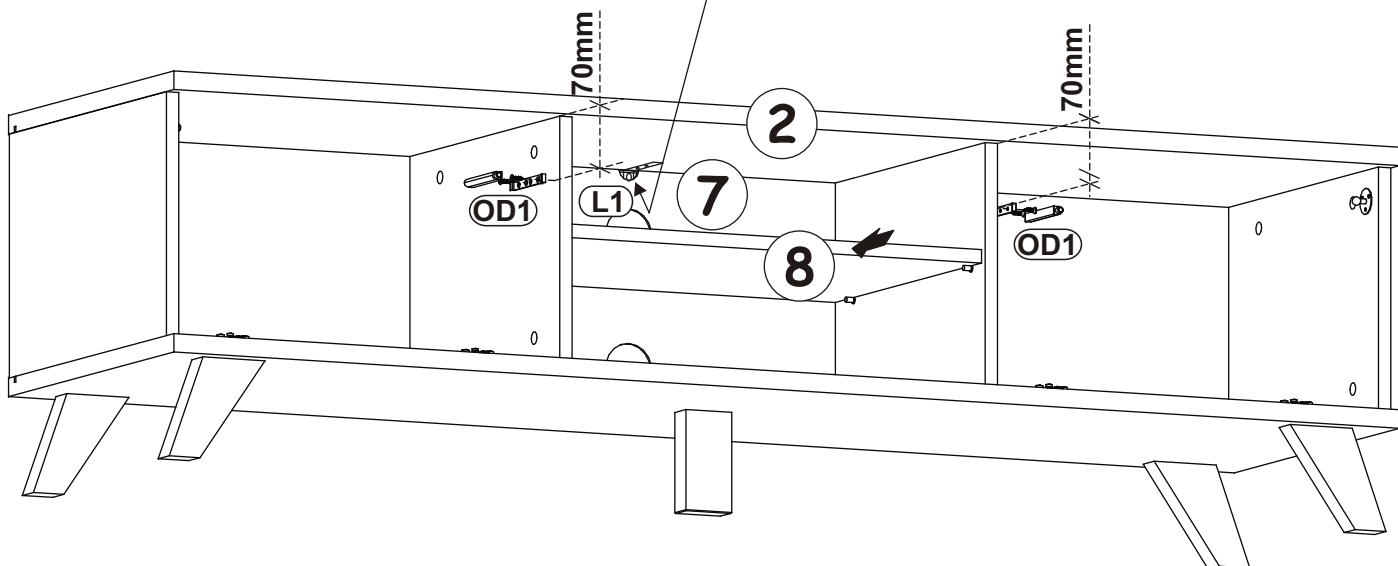
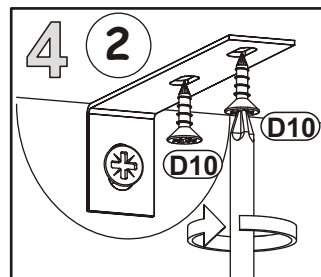
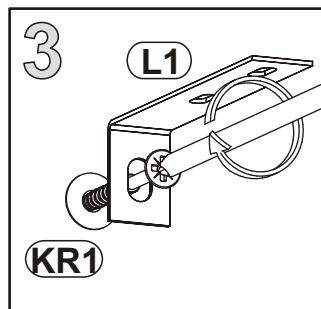
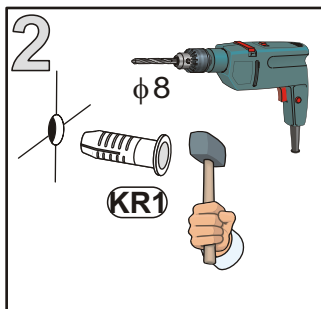
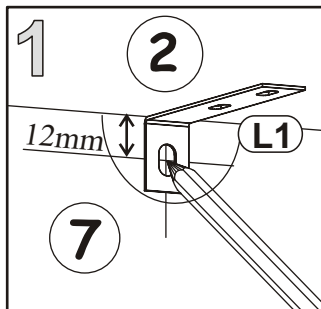
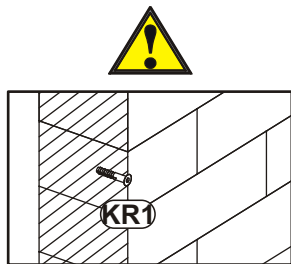
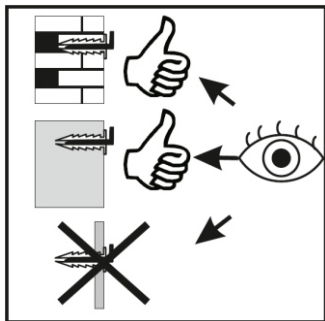
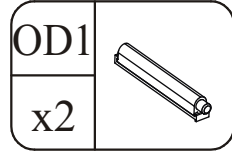
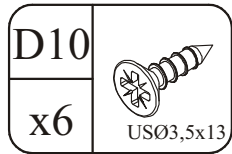
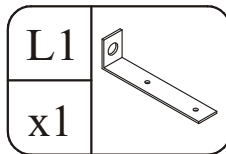
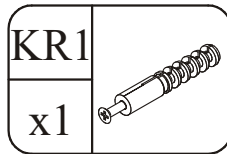


S1	
x14	

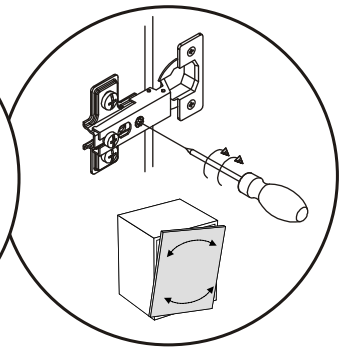
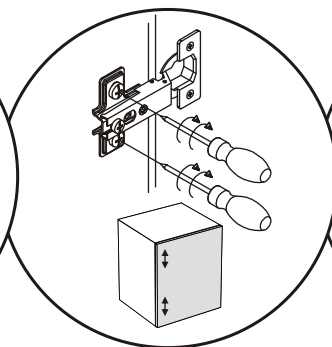
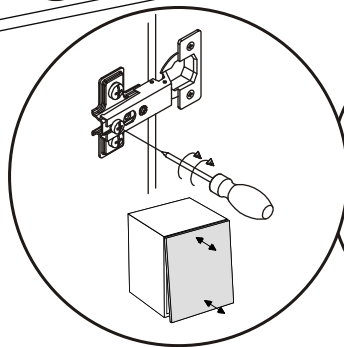
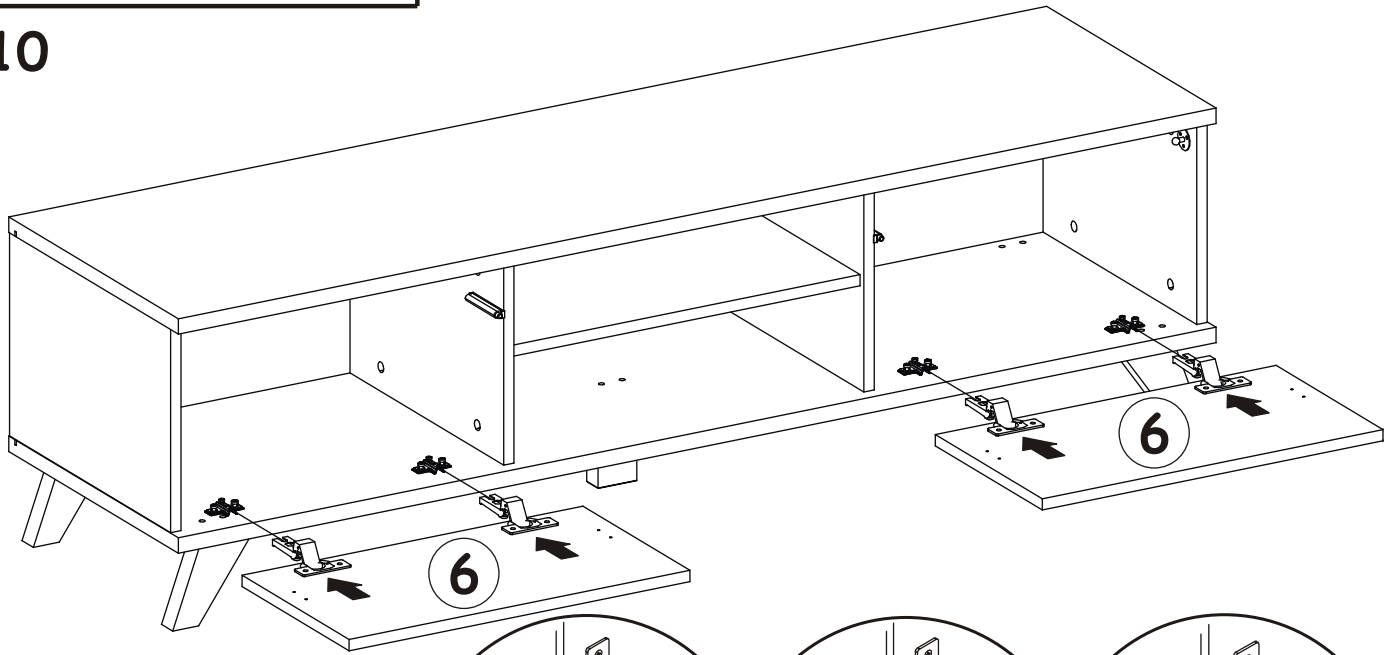
UP13	
x4	UPØ3x16




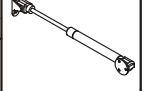
9

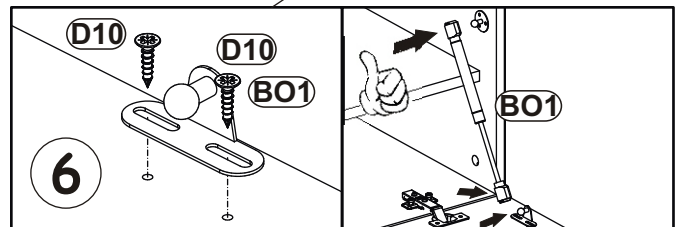
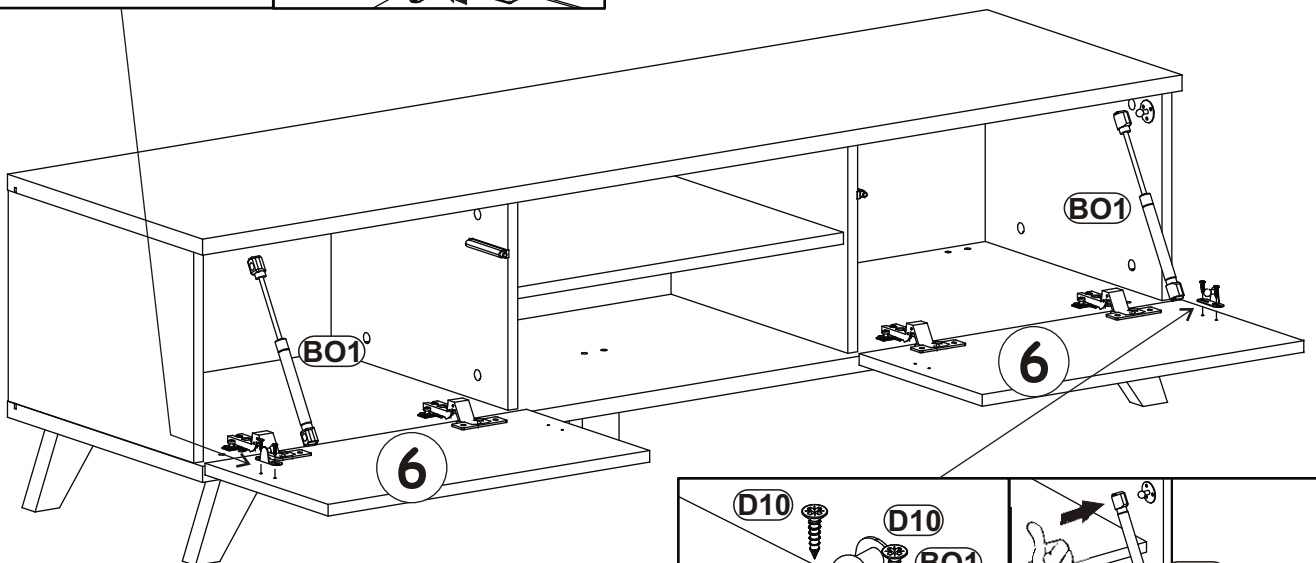
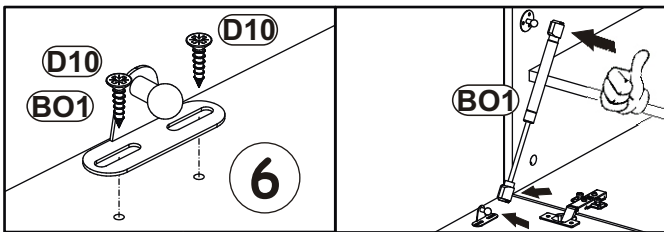


10

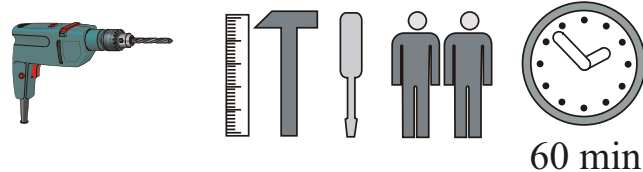
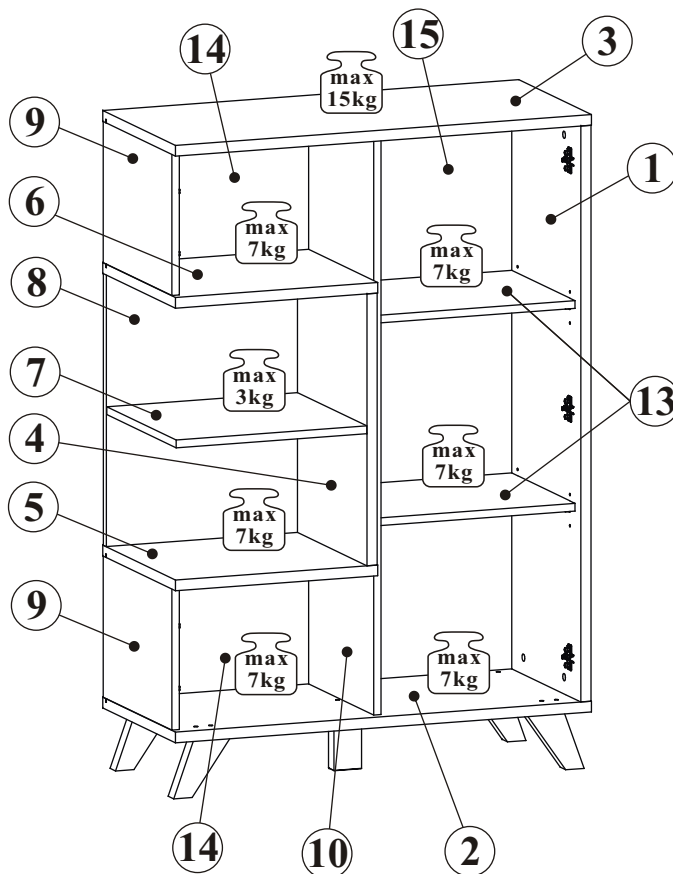
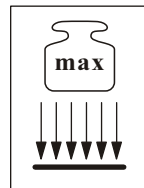
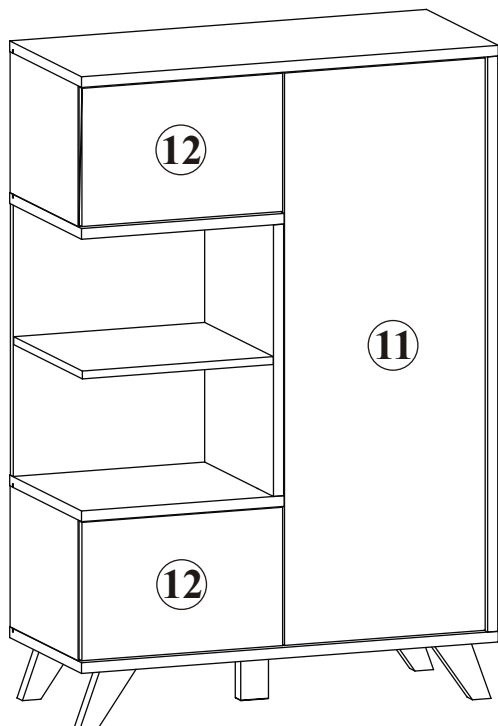


11

D10		BO1	
x4	USØ3,5x13	x2	



BOGOTA 20_BA WSN

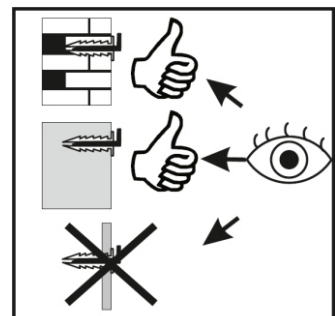
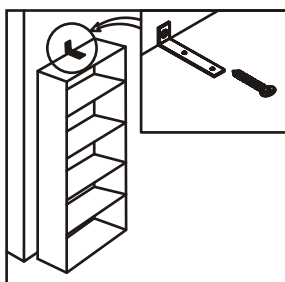
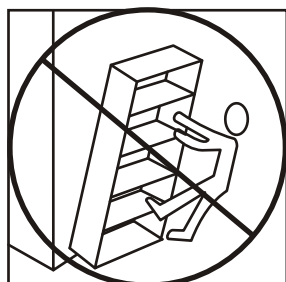
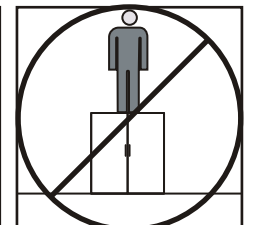
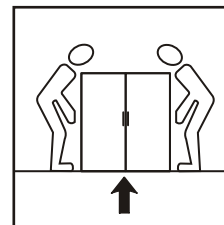
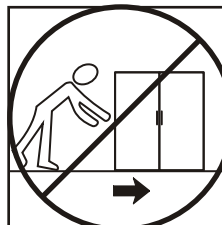
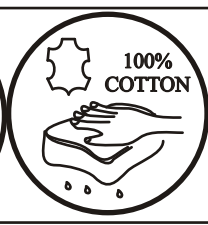
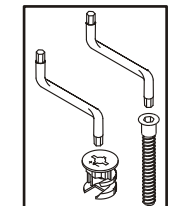
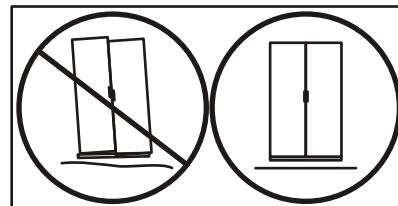
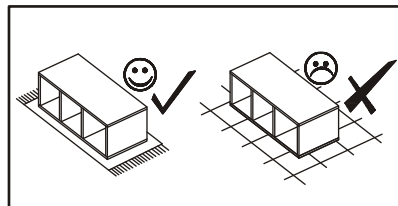
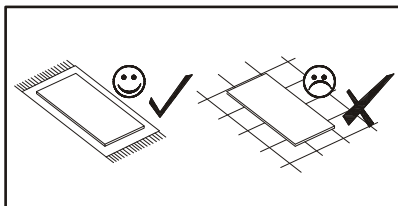
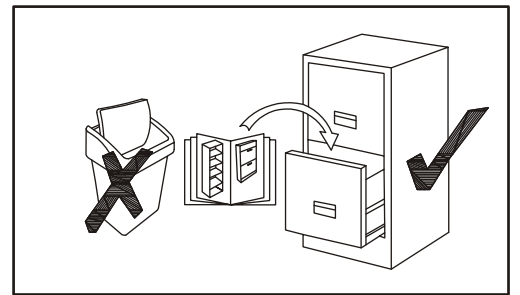
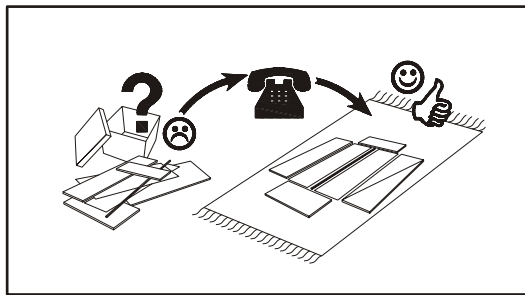
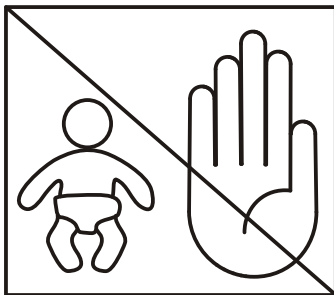
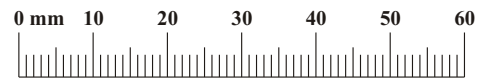


60 min

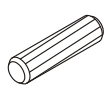
NO	Dim.		Col.-No	Qty	
1	1182	400	22	2 / 2.	1
2	901	400	22	1 / 2.	1
3	901	400	22	1 / 2.	1
4	558	383	22	1 / 2.	1
5	438	400	22	1 / 2.	1
6	438	400	22	1 / 2.	1
7	413	382	16	1 / 2.	1
8	437	558	16	2 / 2.	1
9	290	378	16	2 / 2.	2
10	1182	358	16	2 / 2.	1
11	1176	434	16	2 / 2.	1
12	284	434	16	2 / 2.	2
13	424	348	16	1 / 2.	2
14	302	435	3	2 / 2.	2
15	1194	438	3	2 / 2.	1

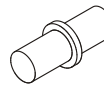
BOGOTA 20_BA WSN

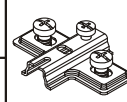
A1 x32 ø8x36	B4 x24	B5 x16 ø15x12	B16 x8 ø15x16	G5 x20	G7 x8
E1 x4 Ø26 H=0	E2 x4 H=0	E5 x3 Ø26 H=16	E4 x3 H=2	D10 x22 USØ3,5x13	OD1 x3
SK x4 H=120	B11 x16 ø7x50	B14 x2 ø7x60	G4 x16	G16 x4	UP13 x10 UPØ3x16
SP x1 H=120	S1 x18	KR1 x1	L1 x1	G2 x1	

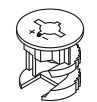



1

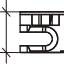

A1	
x8	ø8x36

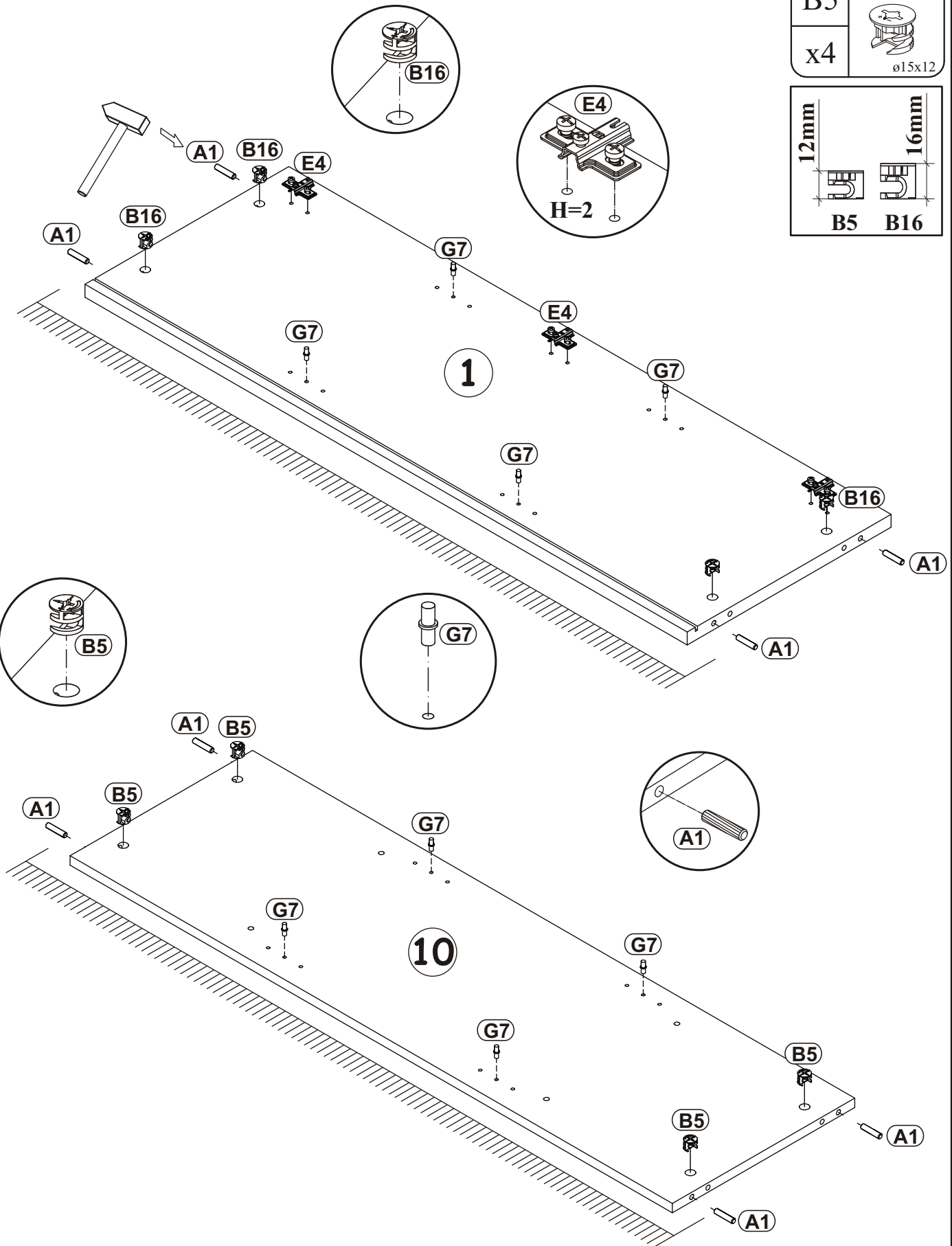
G7	
x8	

E4	
x3	H=2

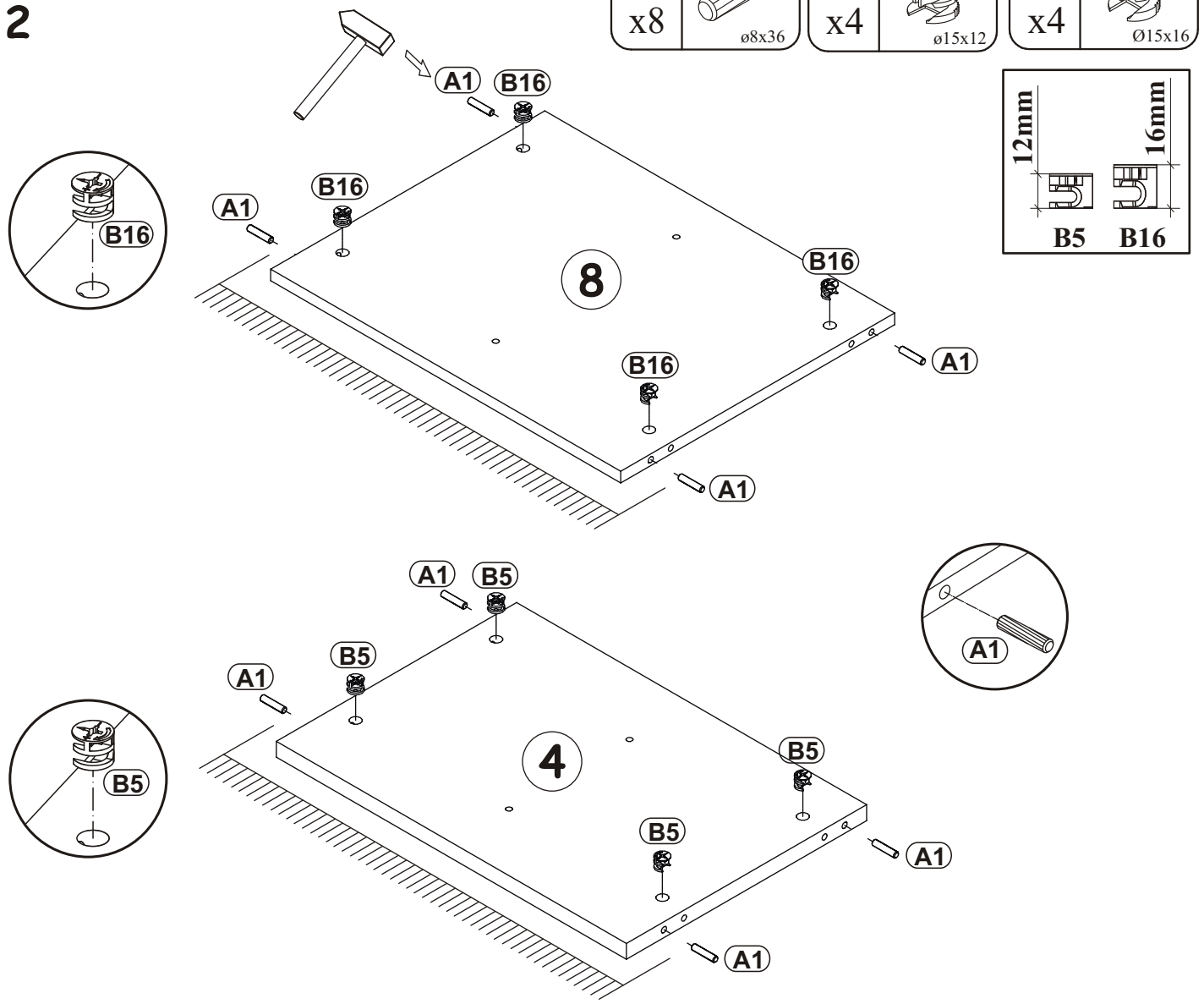
B16	
x4	Ø15x16

B5	
x4	ø15x12

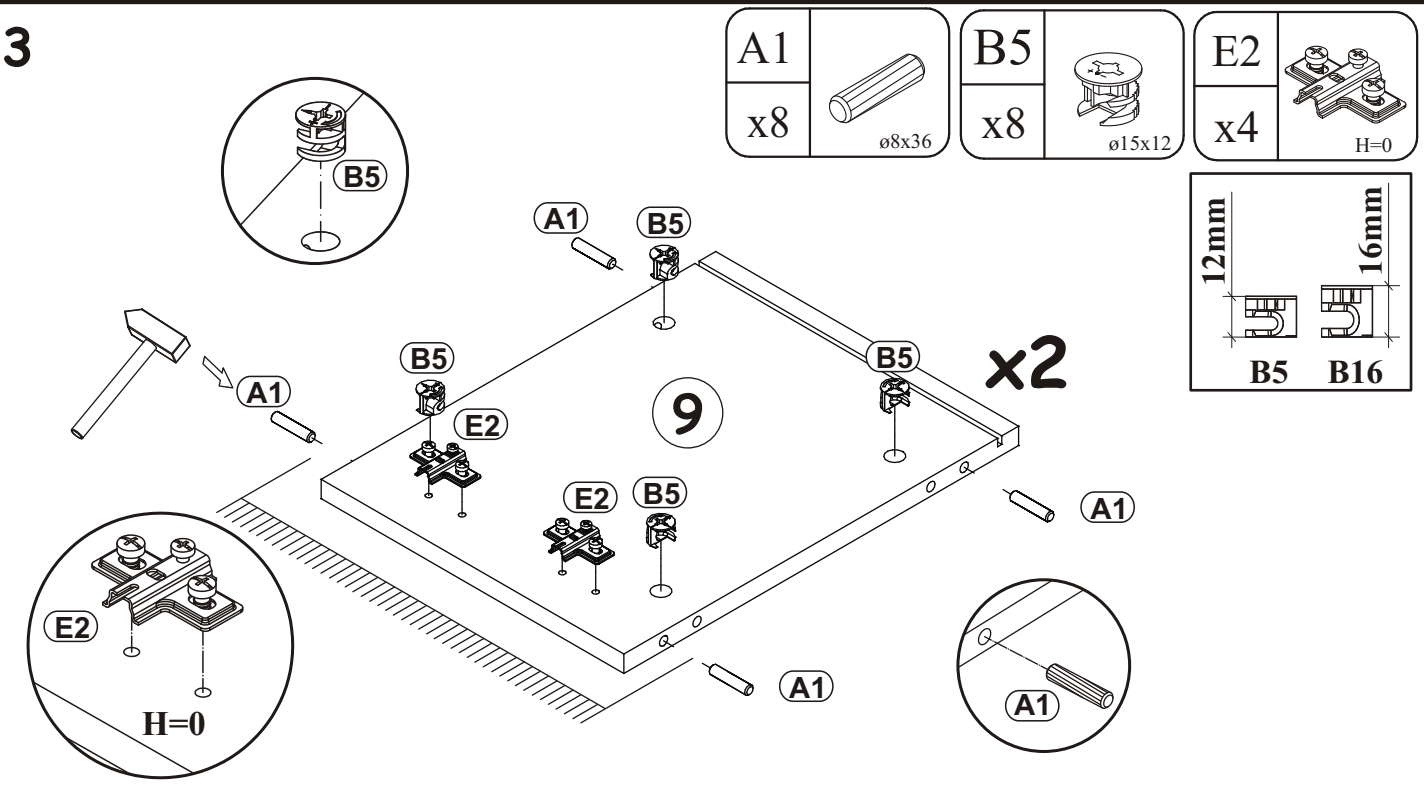
12mm		16mm	
	B5		B16



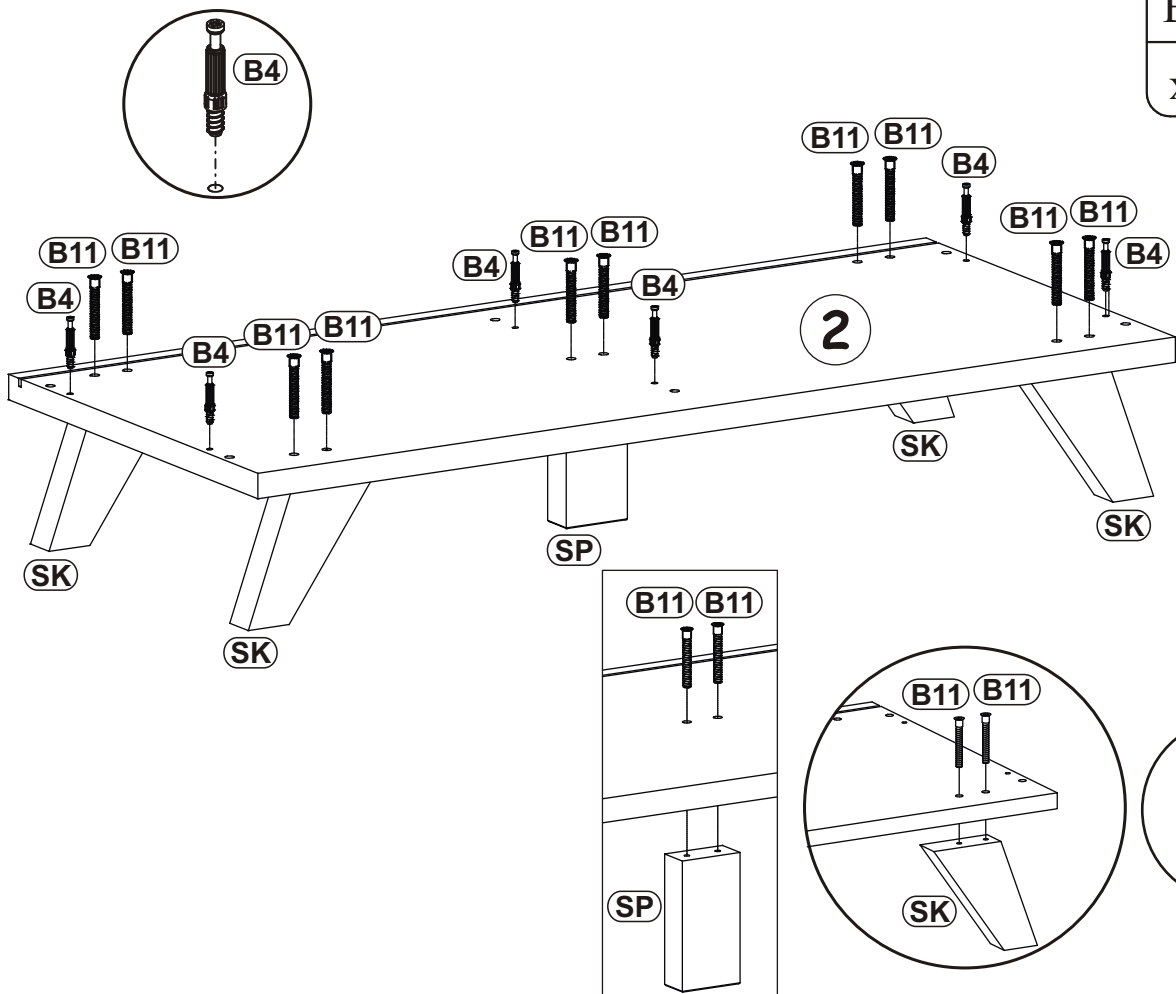
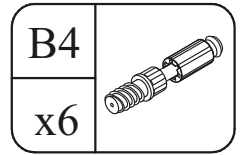
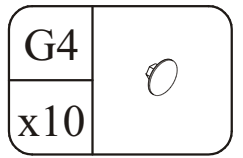
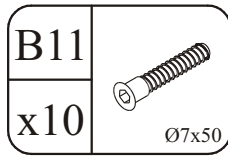
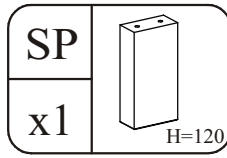
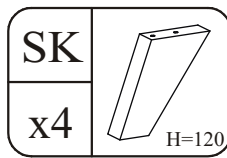
2



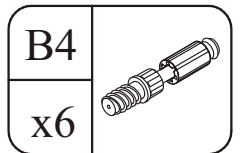
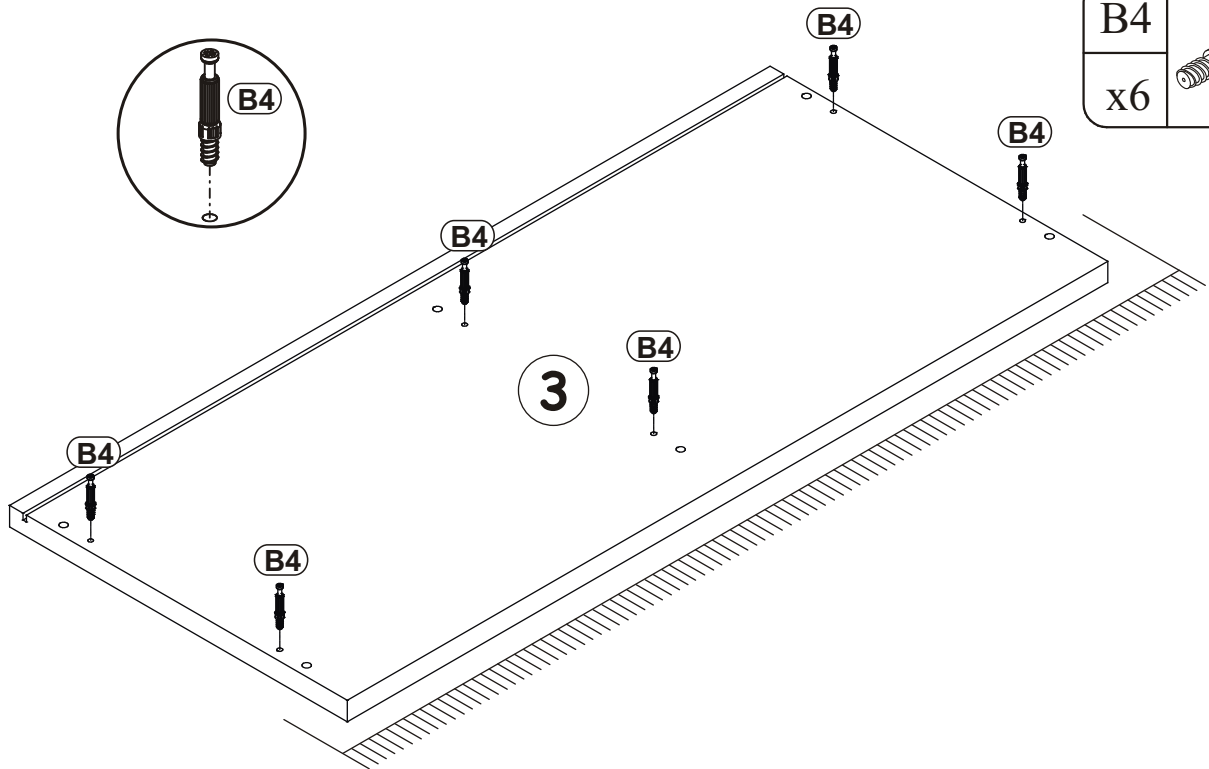
3



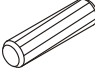
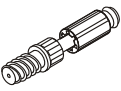
4

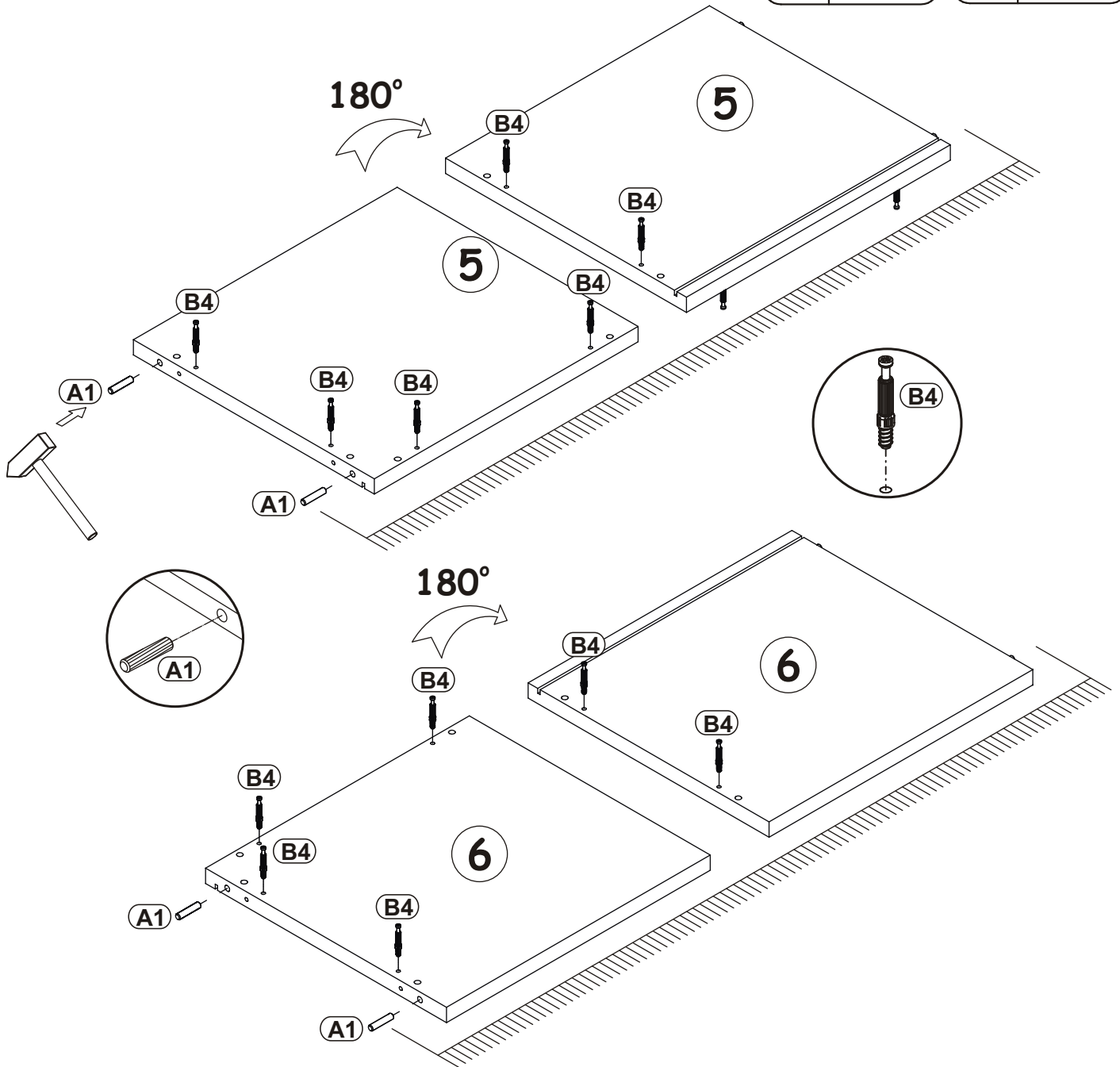


5

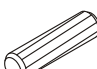


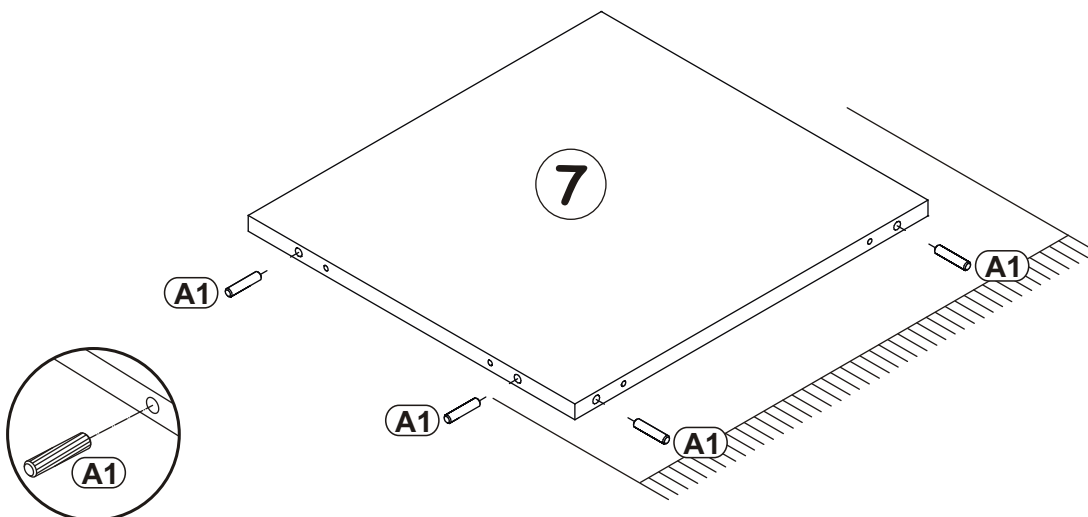
6

A1		B4	
x4	ø8x36	x12	

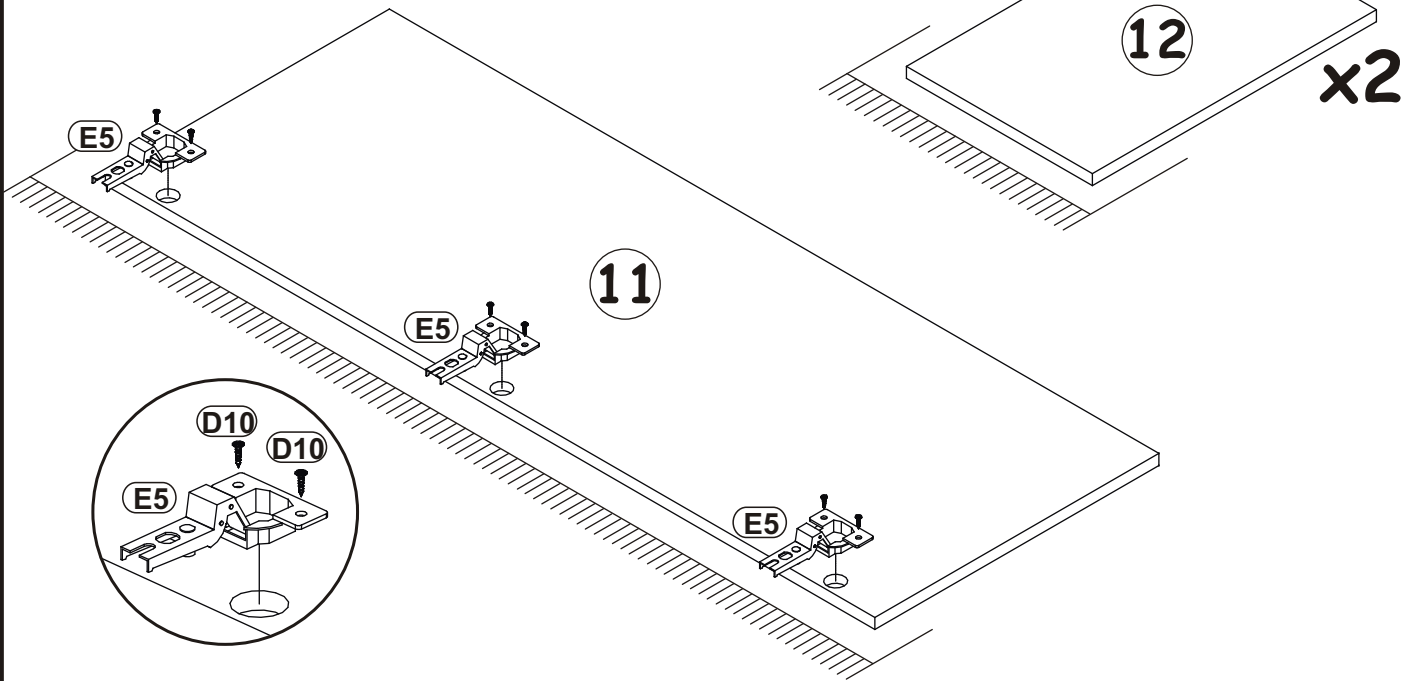
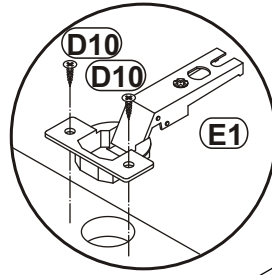
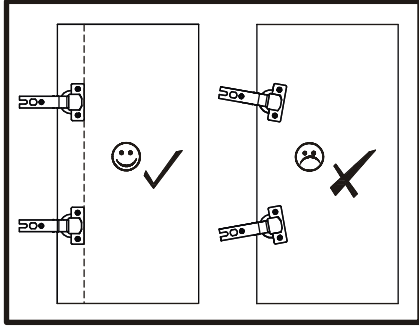
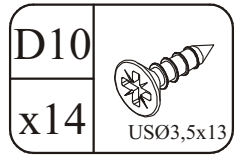
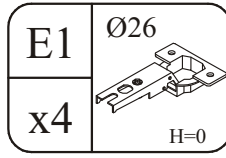
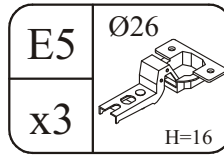


7

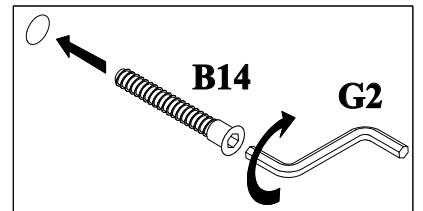
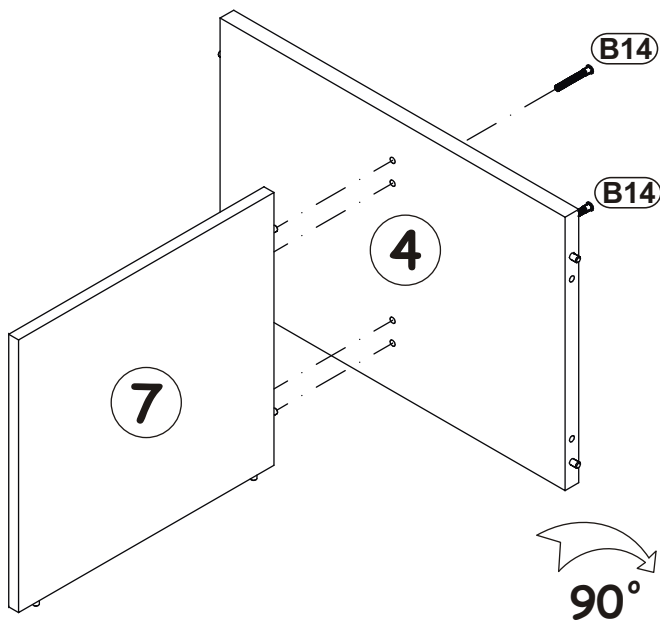
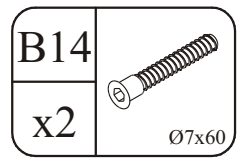
A1	
x4	ø8x36





8



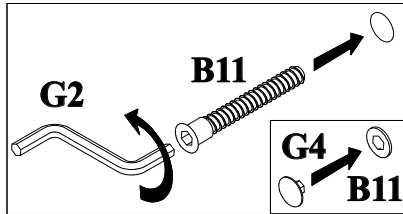
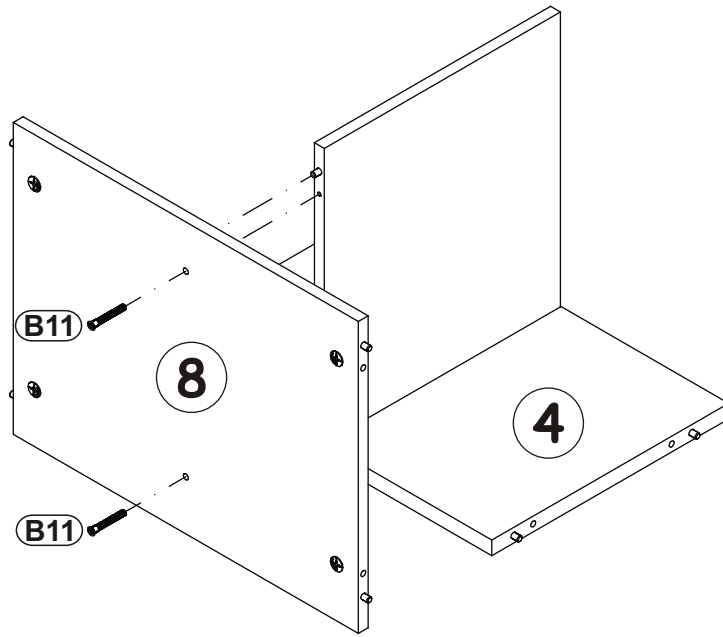
9



B11	
x2	Ø7x50


G4	
x2	

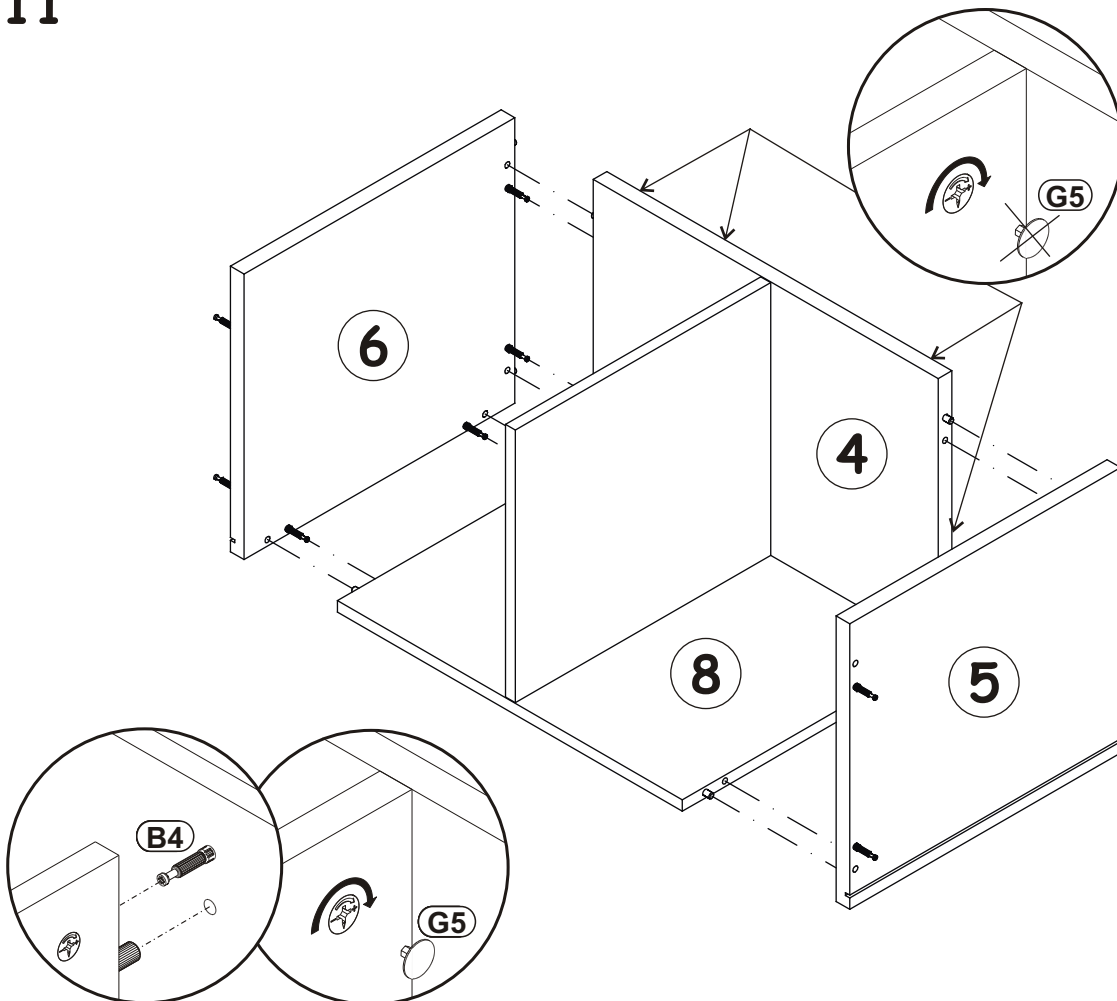
10



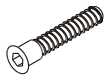
90°


11


G5	
x4	

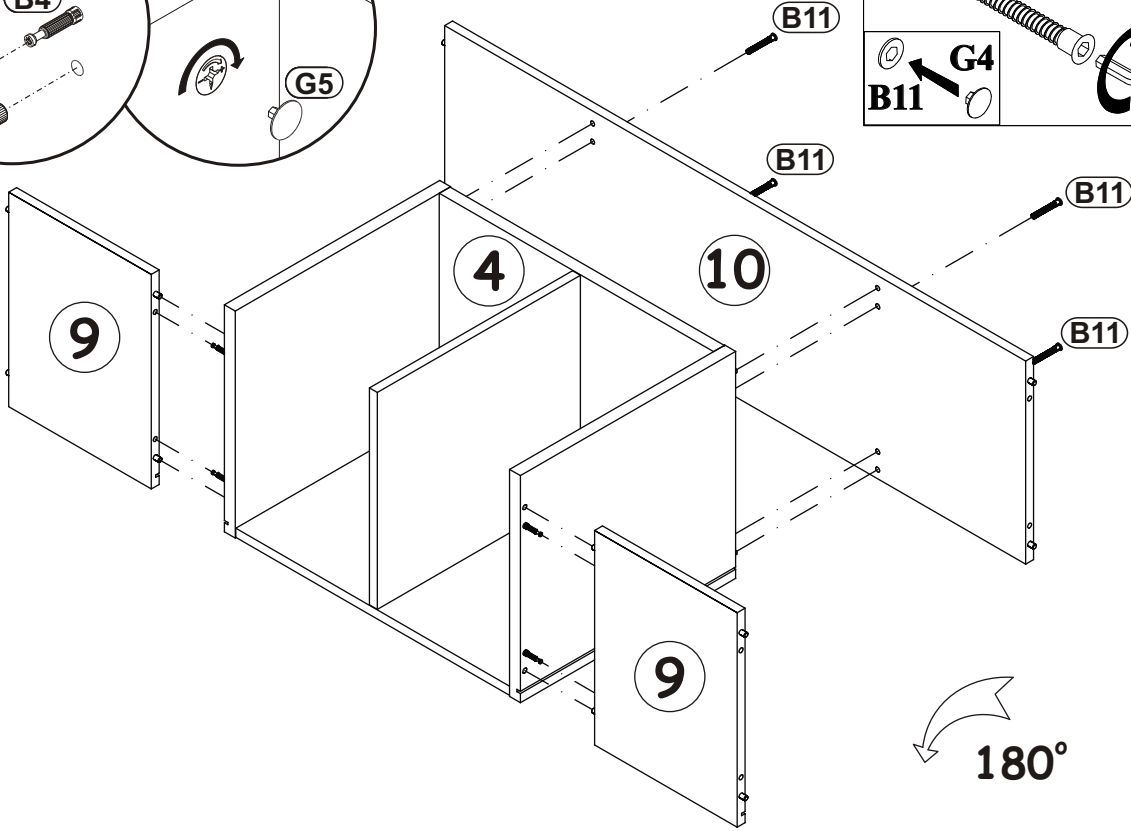
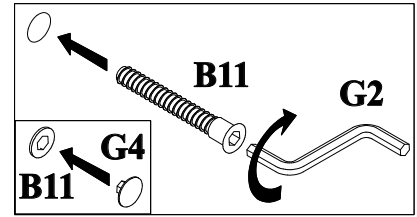
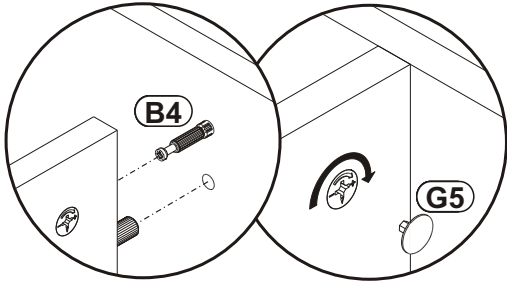


12


B11	
x4	Ø7x50

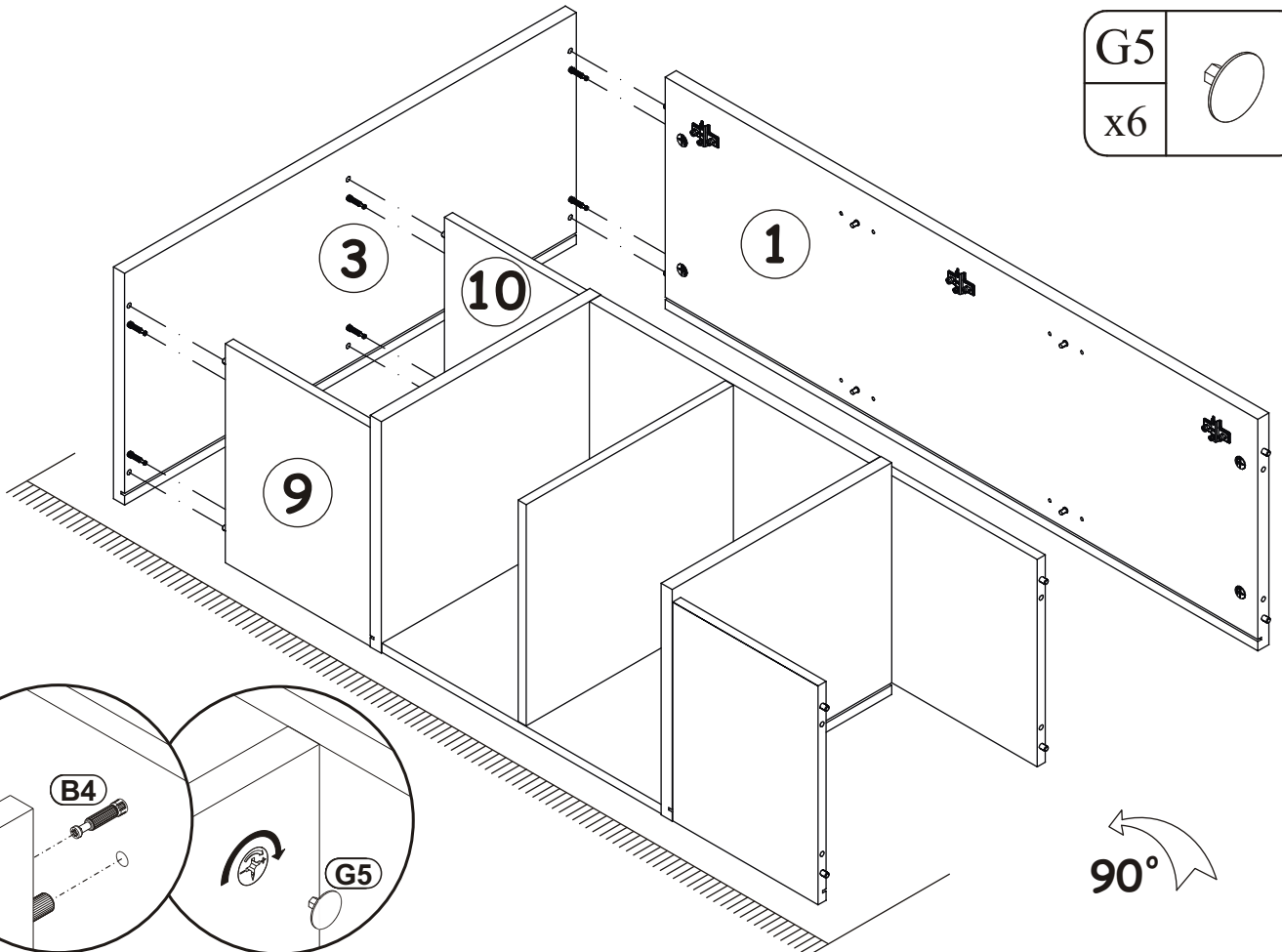
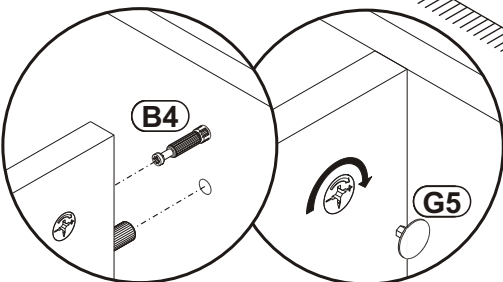
G4	
x4	

G5	
x4	

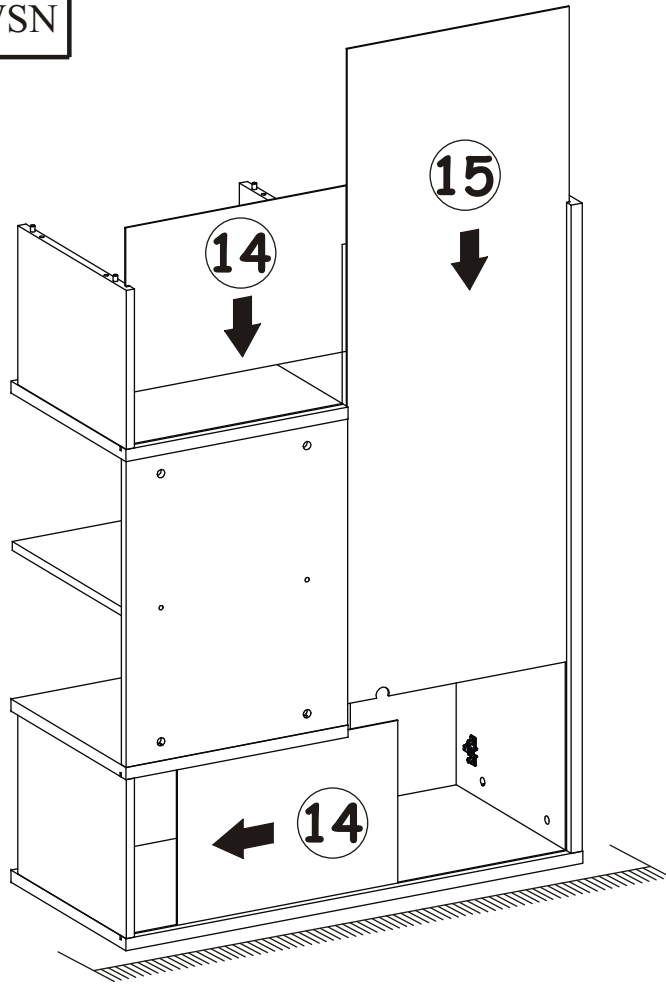


13

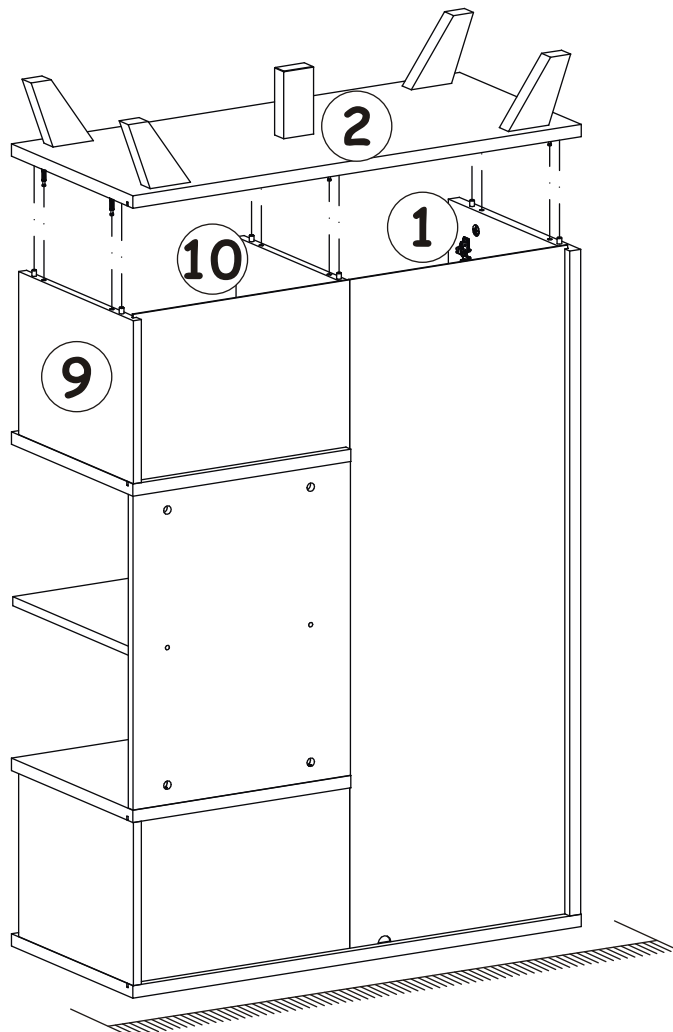
G5	
x6	




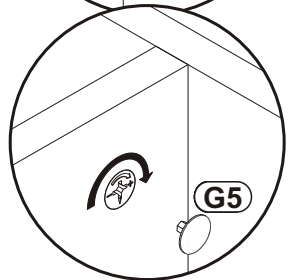
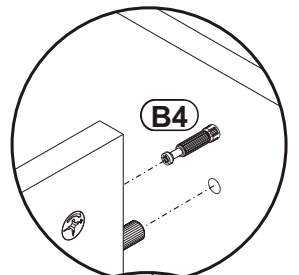
14

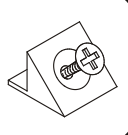
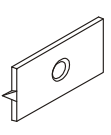



15

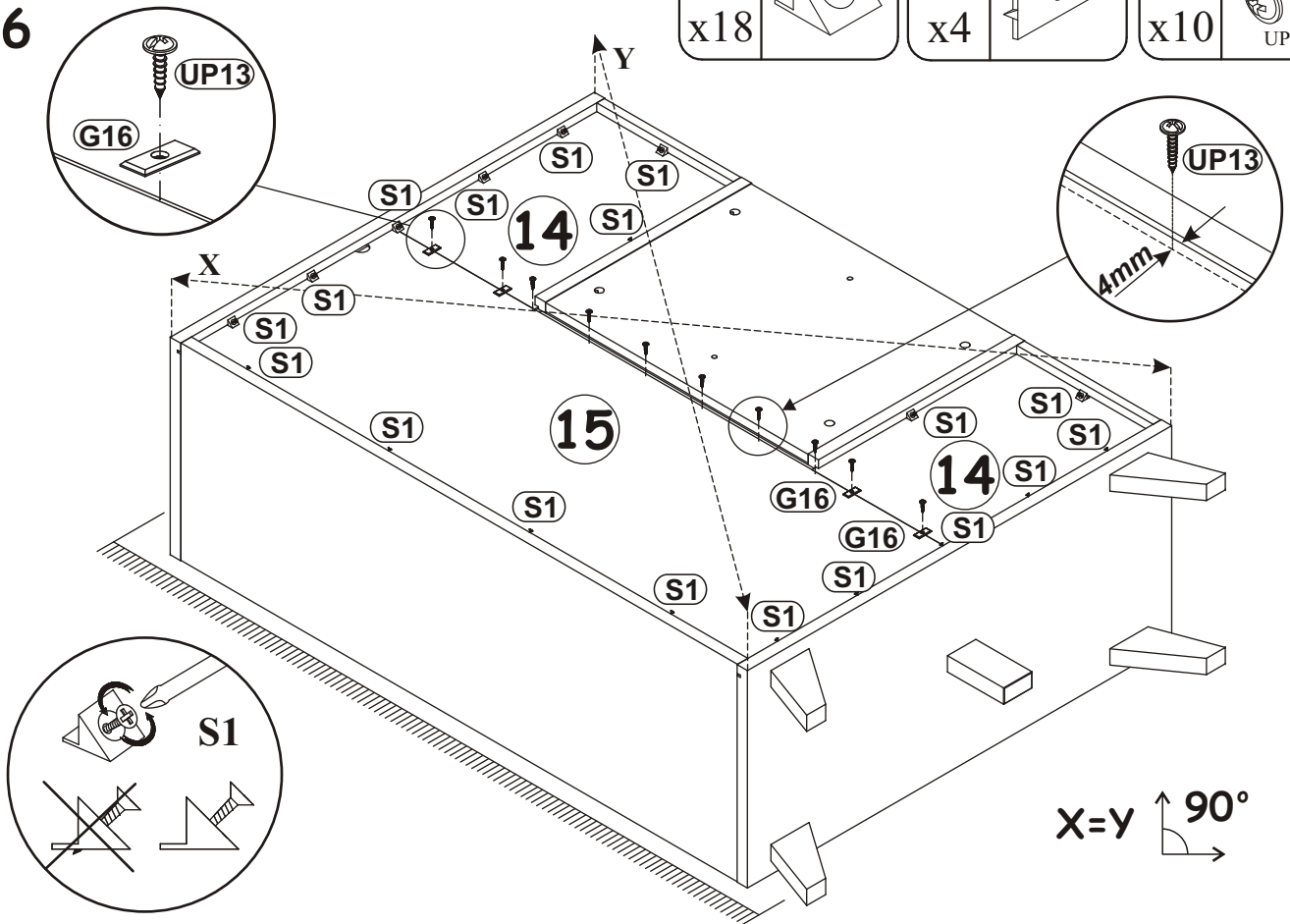


G5	
x6	

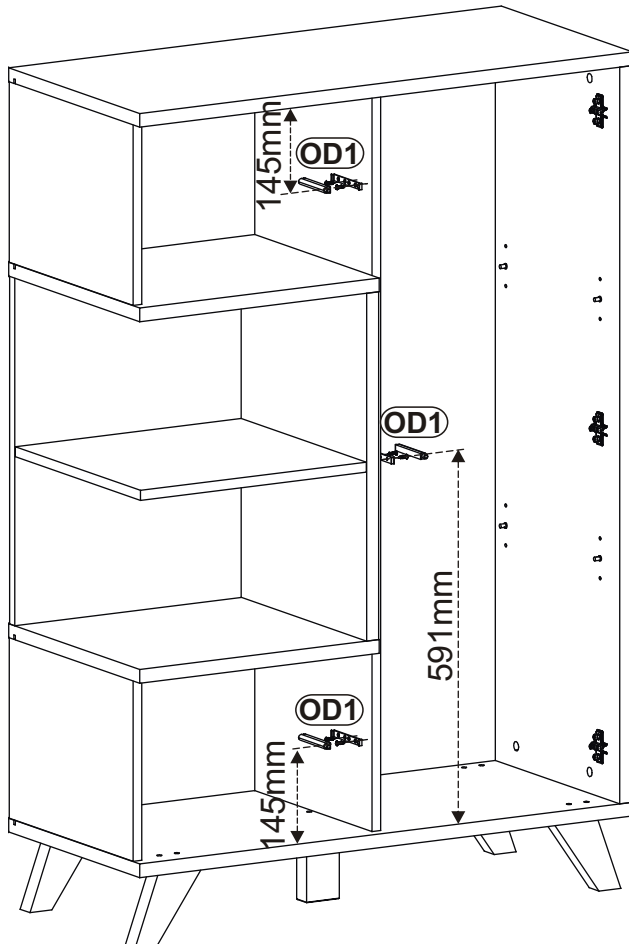


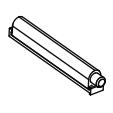

S1		G16		UP13	
x18		x4		x10	UPØ3x16

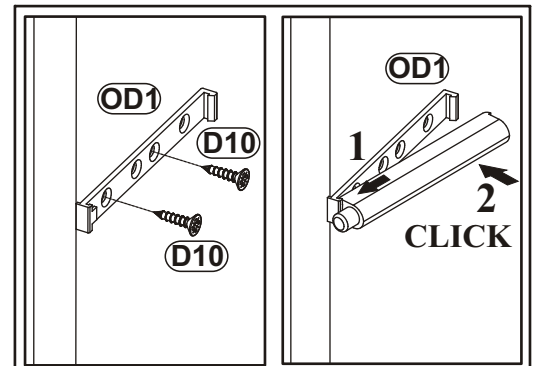
16



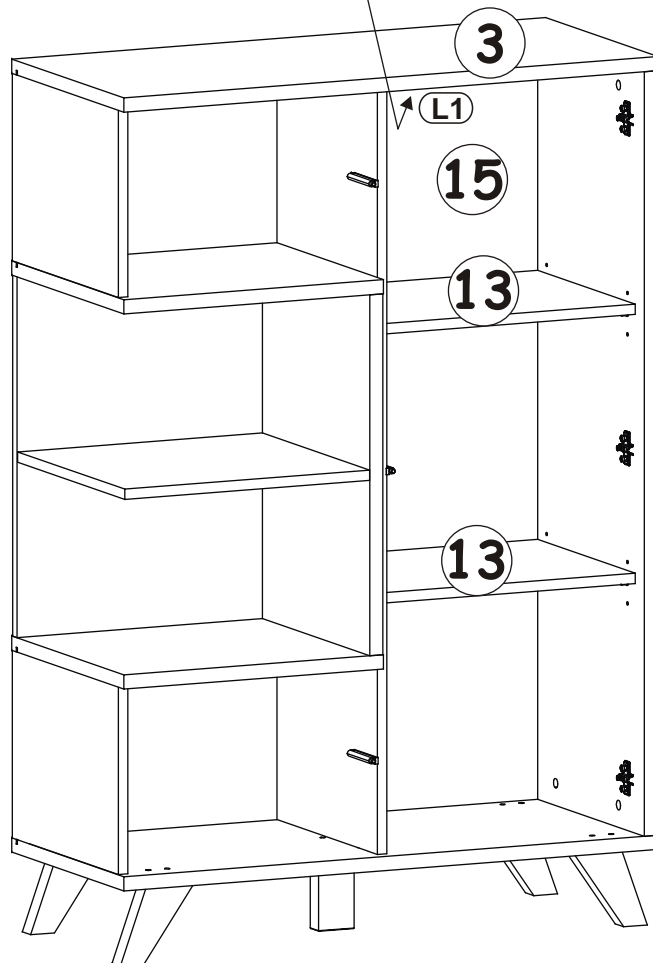
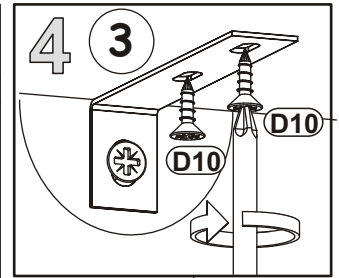
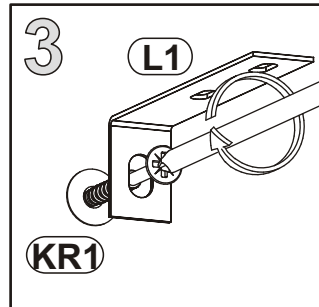
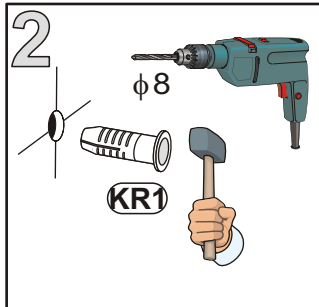
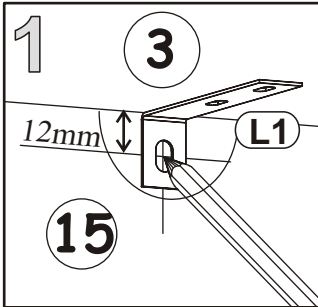
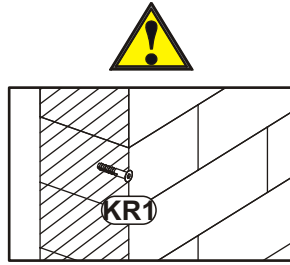
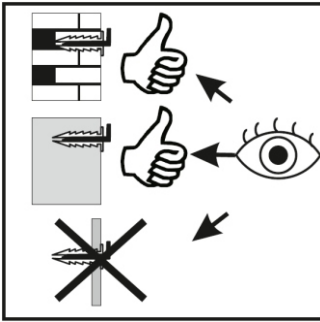
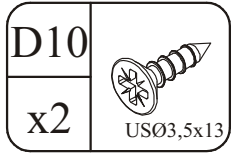
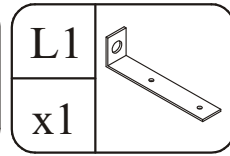
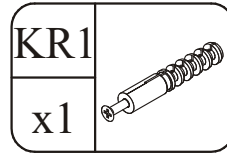
17



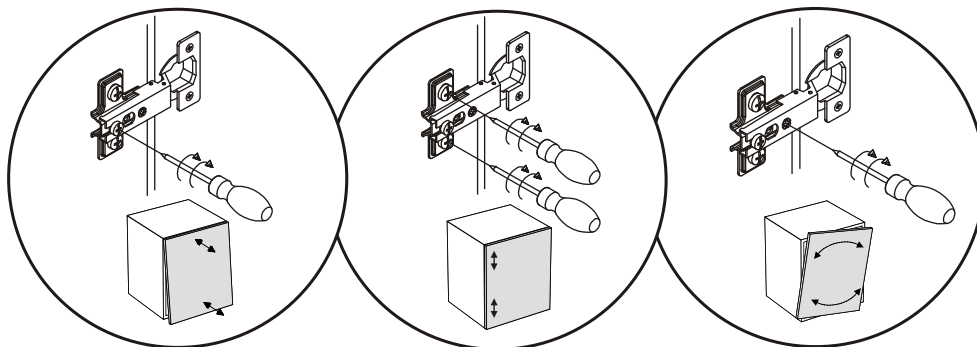
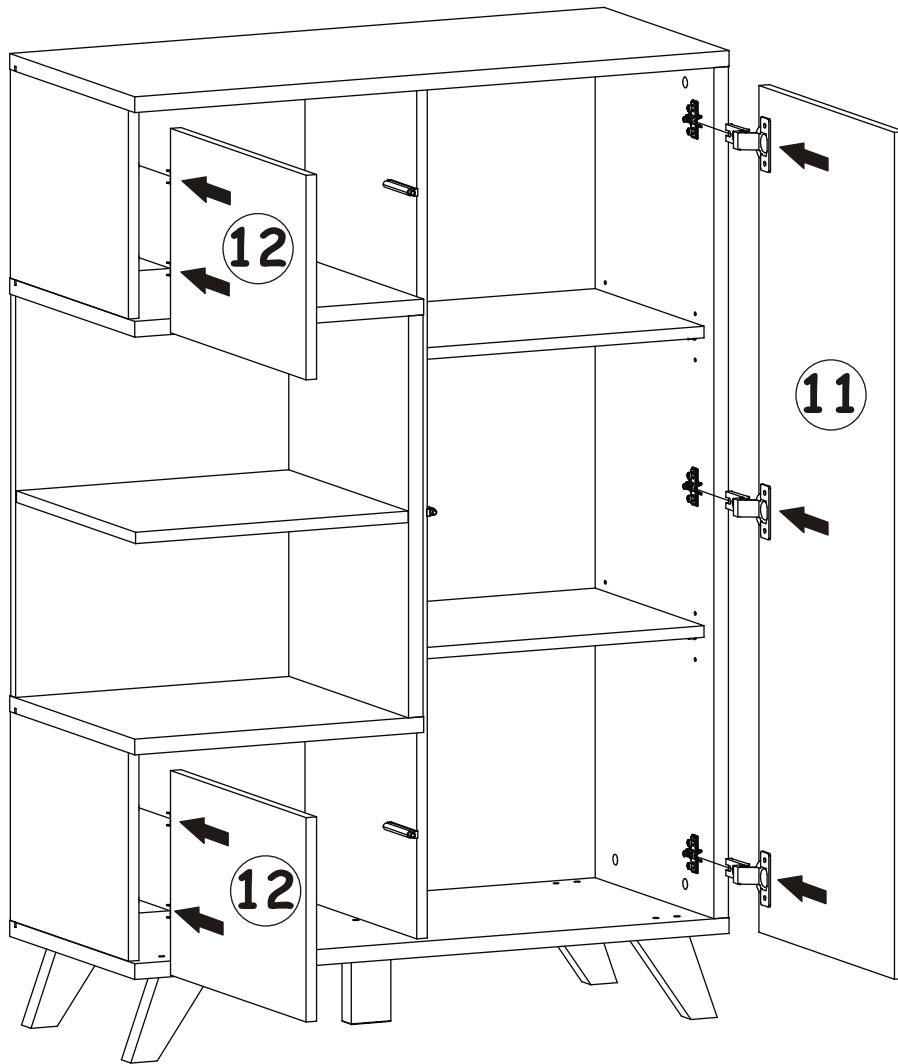
OD1	
x3	
D10	
x6	USØ3,5x13



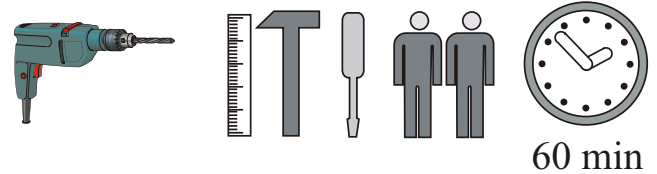
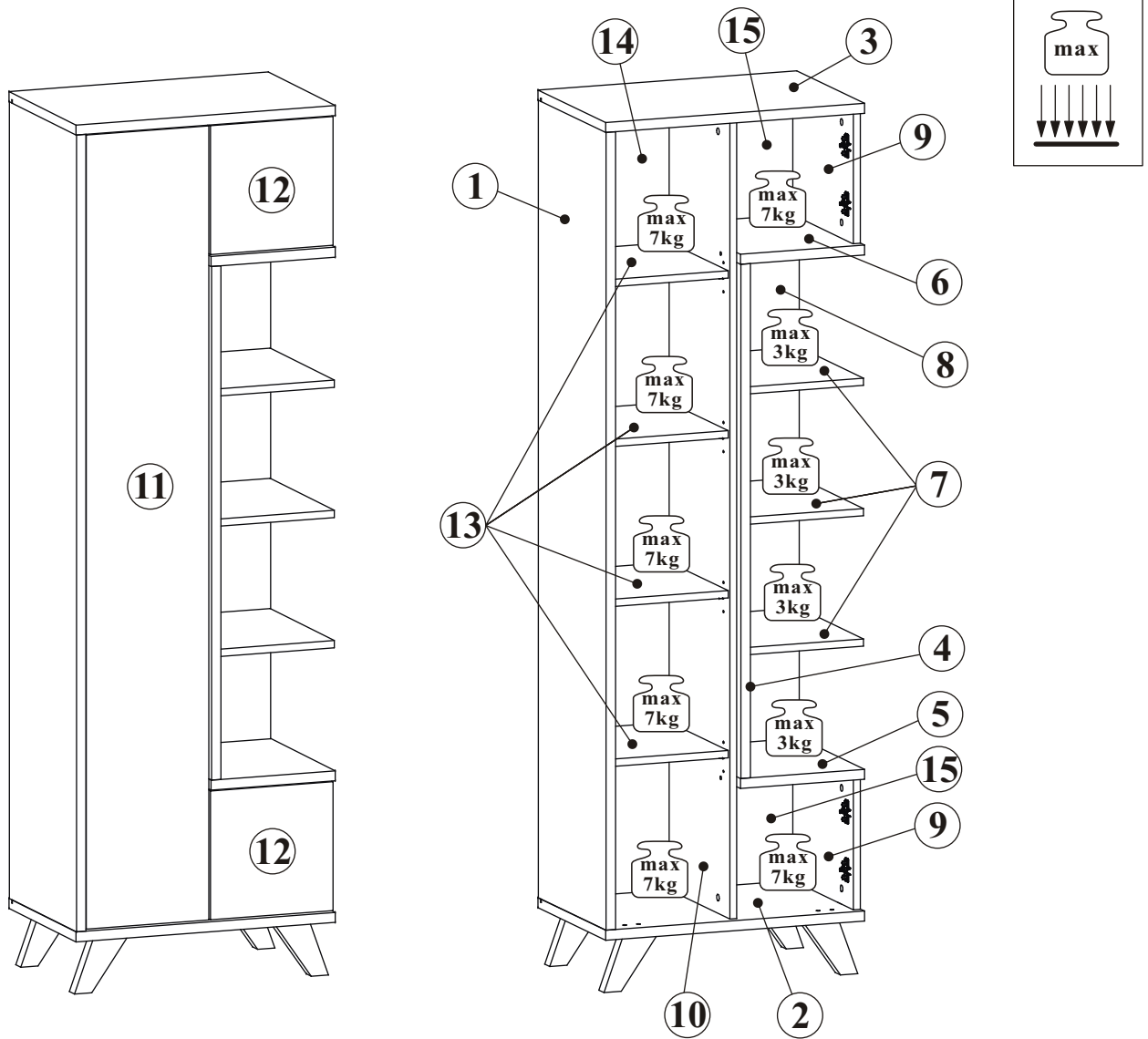
18



19



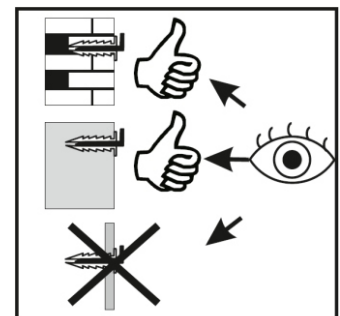
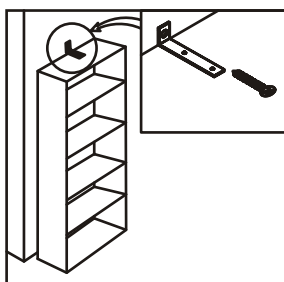
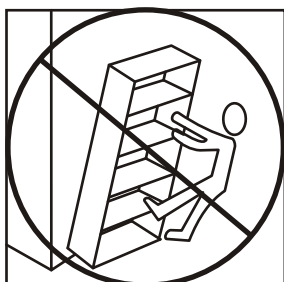
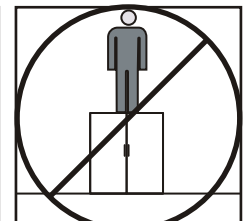
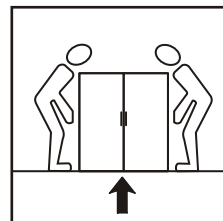
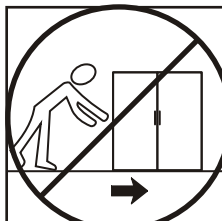
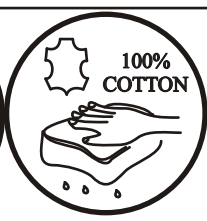
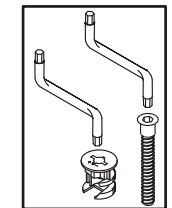
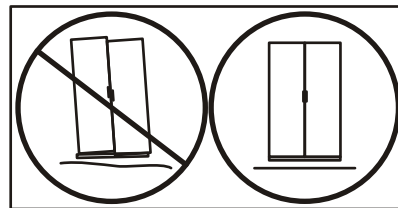
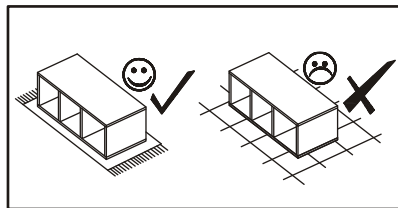
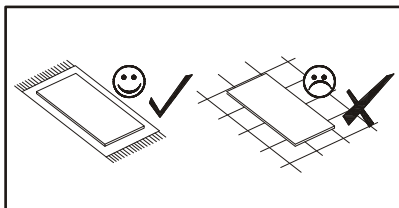
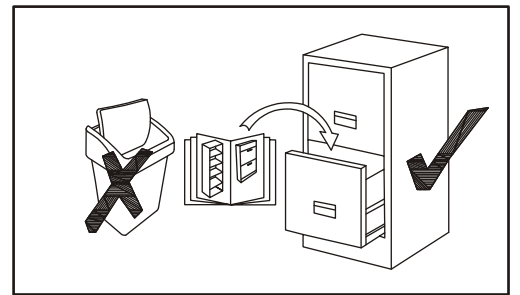
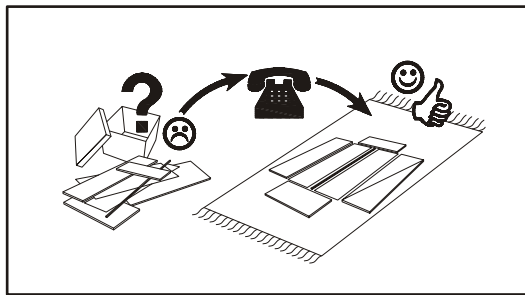
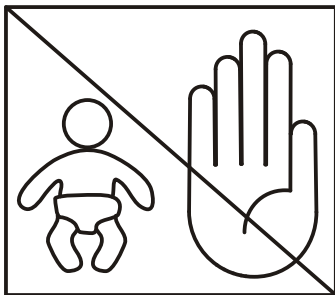
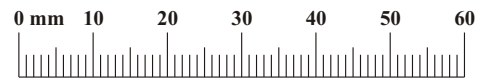
BOGOTA 20_BA WSW



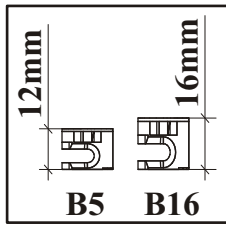
NO	Dim.			Col.-No	Qty
1	1756	400	22	2 / 2.	1
2	601	400	22	1 / 2.	1
3	601	400	22	1 / 2.	1
4	1132	383	22	1 / 2.	1
5	288	400	22	1 / 2.	1
6	288	400	22	1 / 2.	1
7	263	382	16	1 / 2.	3
8	287	1132	16	1 / 2.	1
9	290	378	16	2 / 2.	2
10	1756	358	16	2 / 2.	1
11	1750	284	16	2 / 2.	1
12	284	284	16	2 / 2.	2
13	274	348	16	1 / 2.	4
14	1768	288	3	2 / 2.	1
15	302	285	3	2 / 2.	2

BOGOTA 20__BA WSW

A1 x40 ø8x36	B4 x24	B5 x16 ø15x12	B16 x8 ø15x16	G5 x20	G7 x16
E1 x4 Ø26 H=0	E2 x4 H=0	E5 x4 Ø26 H=16	E4 x4 H=2	D10 x24 USØ3,5x13	OD1 x3
SK x4 H=120	B11 x22 Ø7x50	B14 x6 Ø7x60	G4 x22	G16 x4	UP13 x15 UPØ3x16
S1 x14	KR1 x1	L1 x1	G2 x1		



1



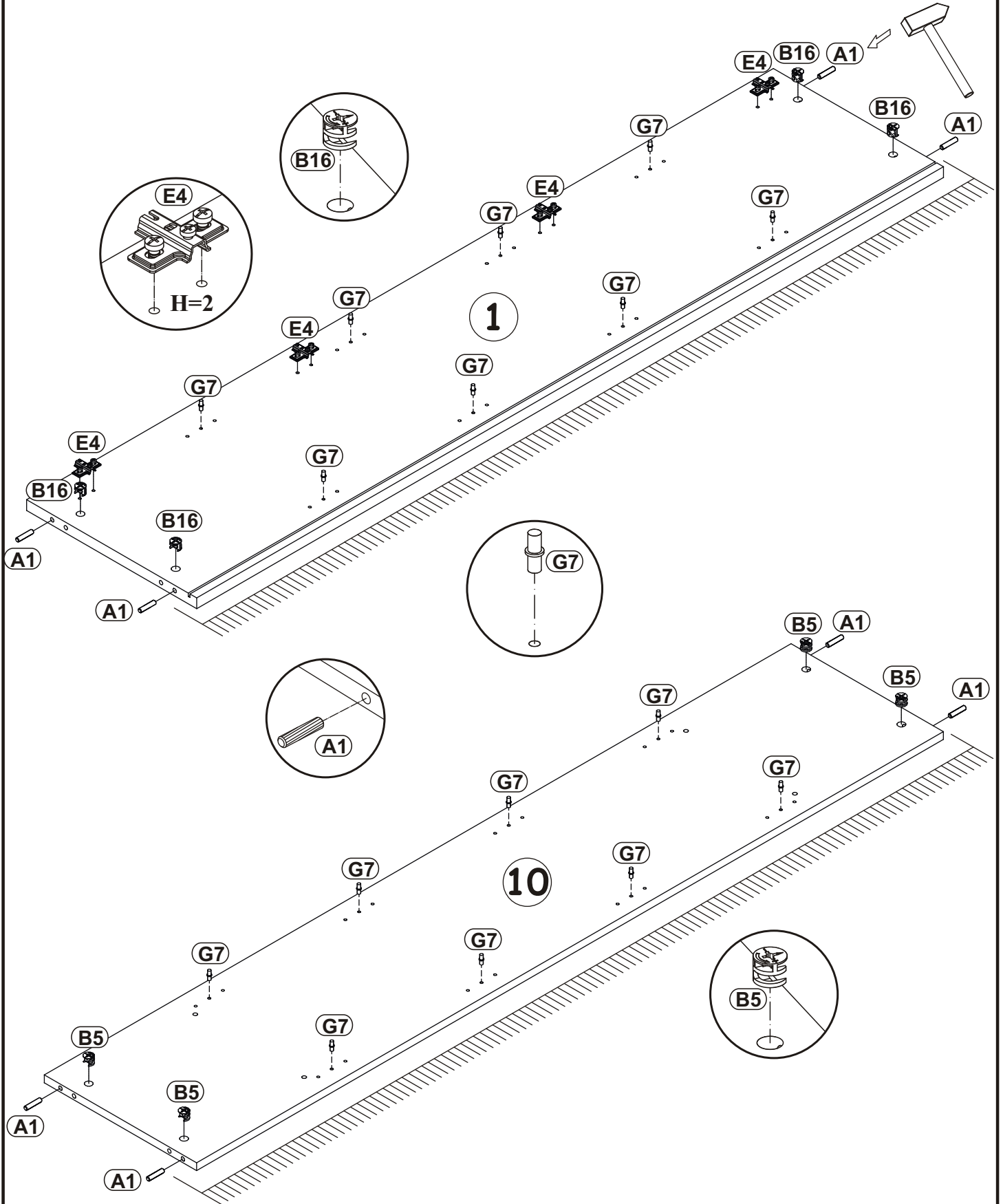
B16	
x4	Ø15x16

A1	
x8	ø8x36

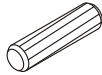
G7	
x16	


E4	
x4	H=2


B5	
x4	ø15x12





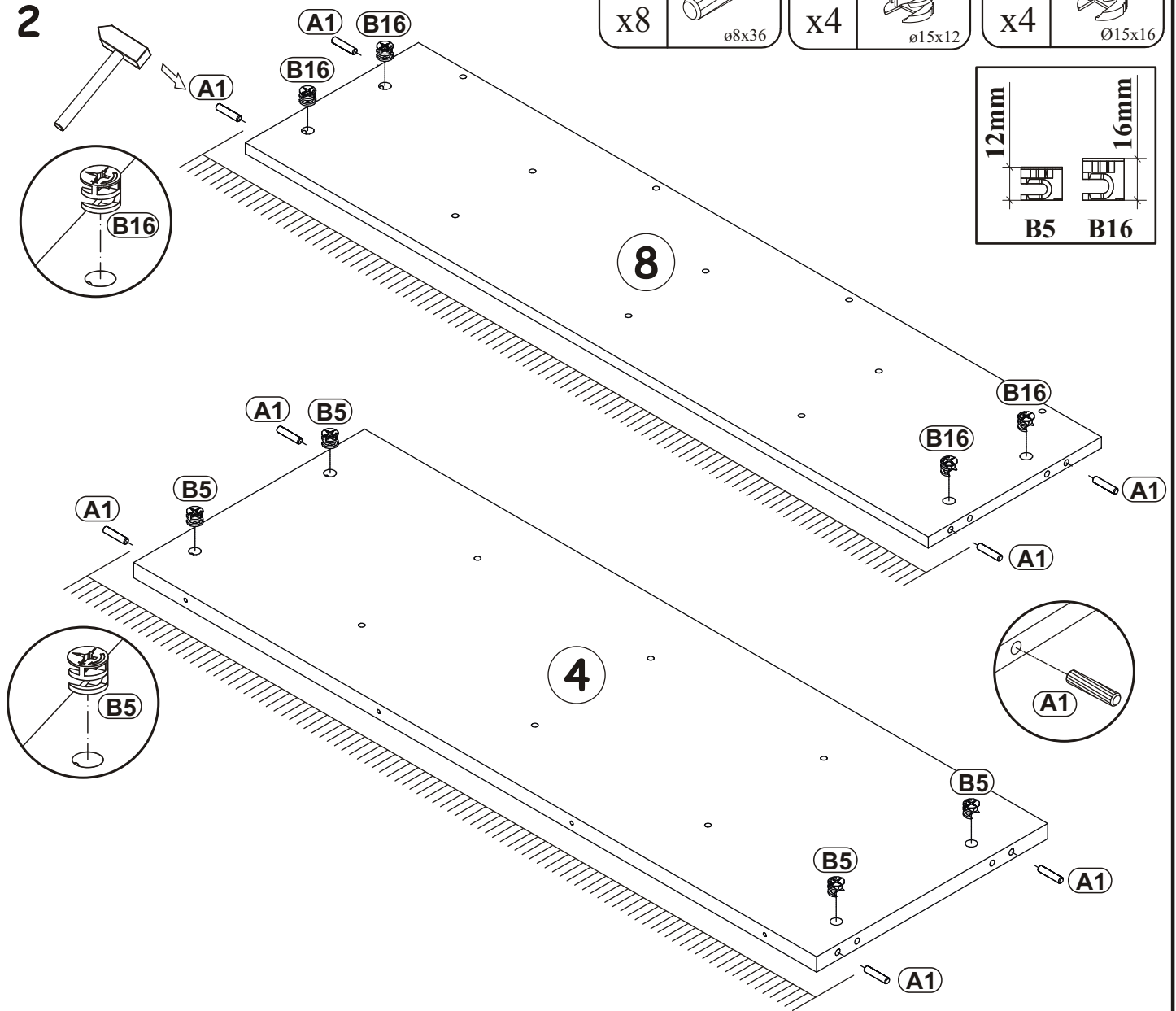
2

A1	
x8	ø8x36

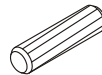
B5	
x4	ø15x12


B16	
x4	Ø15x16

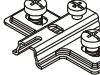
12mm		16mm	
	B5		B16





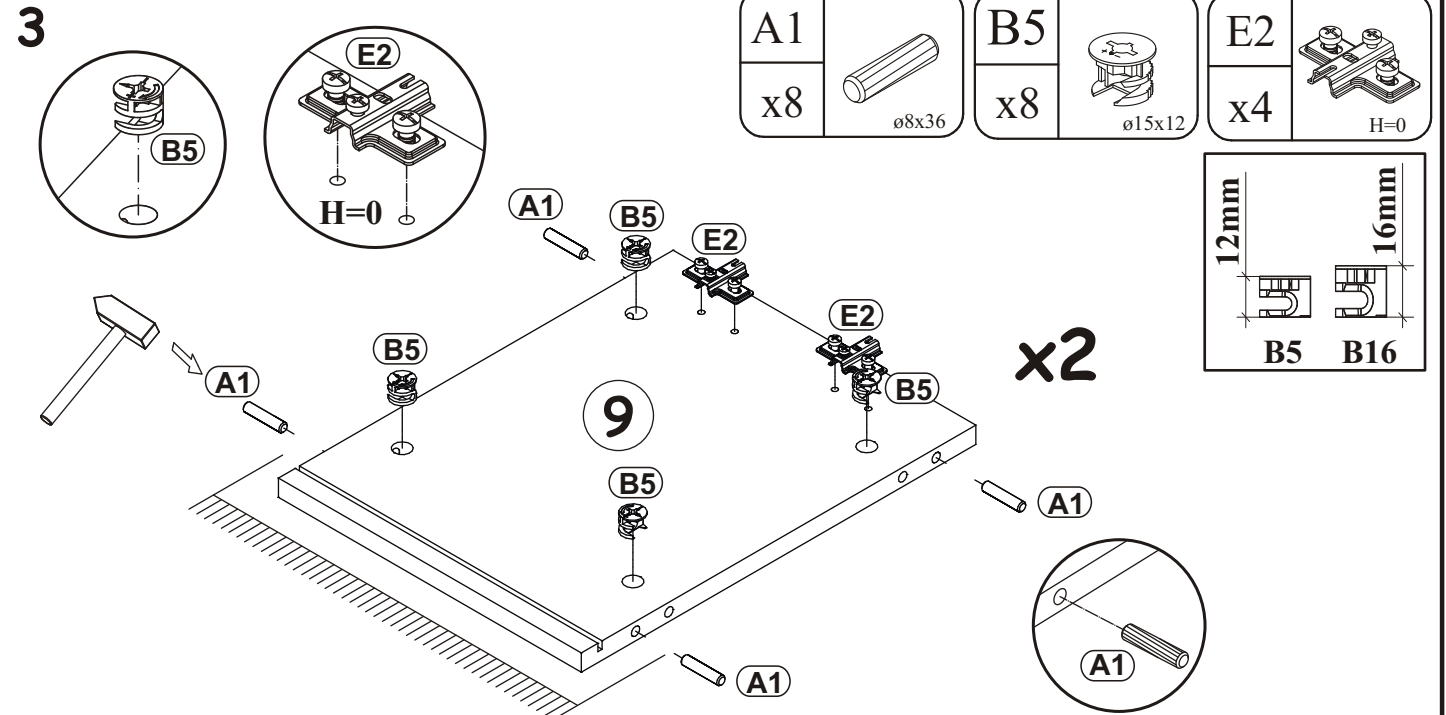
3

A1	
x8	ø8x36


B5	
x8	ø15x12


E2	
x4	H=0


12mm		16mm	
	B5		B16

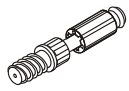


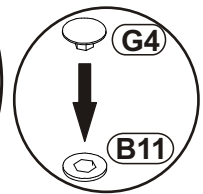
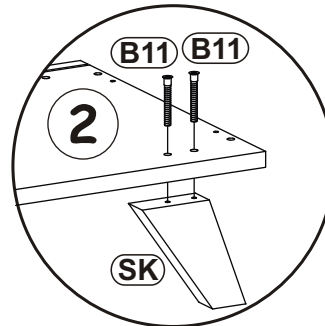
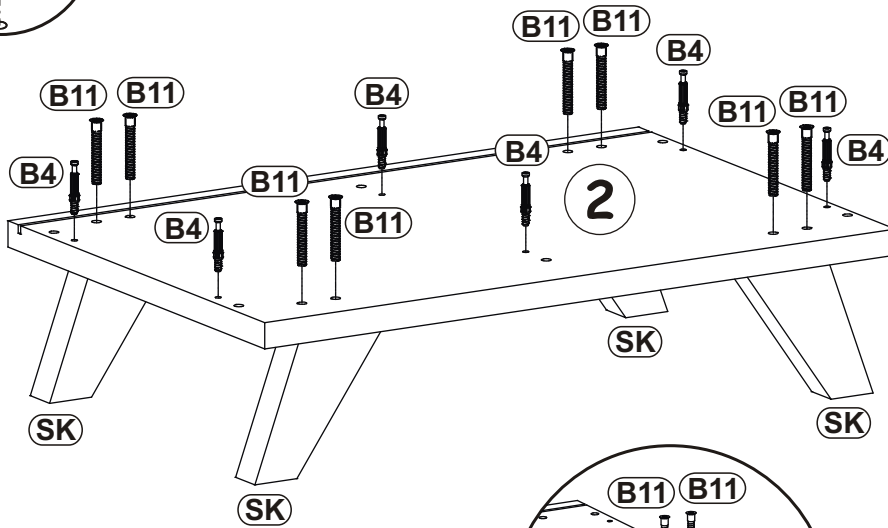
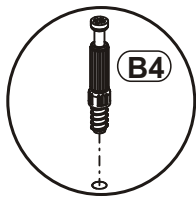
4

SK	
x4	H=120

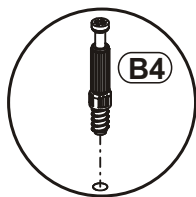
B11	
x8	Ø7x50

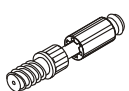
G4	
x8	

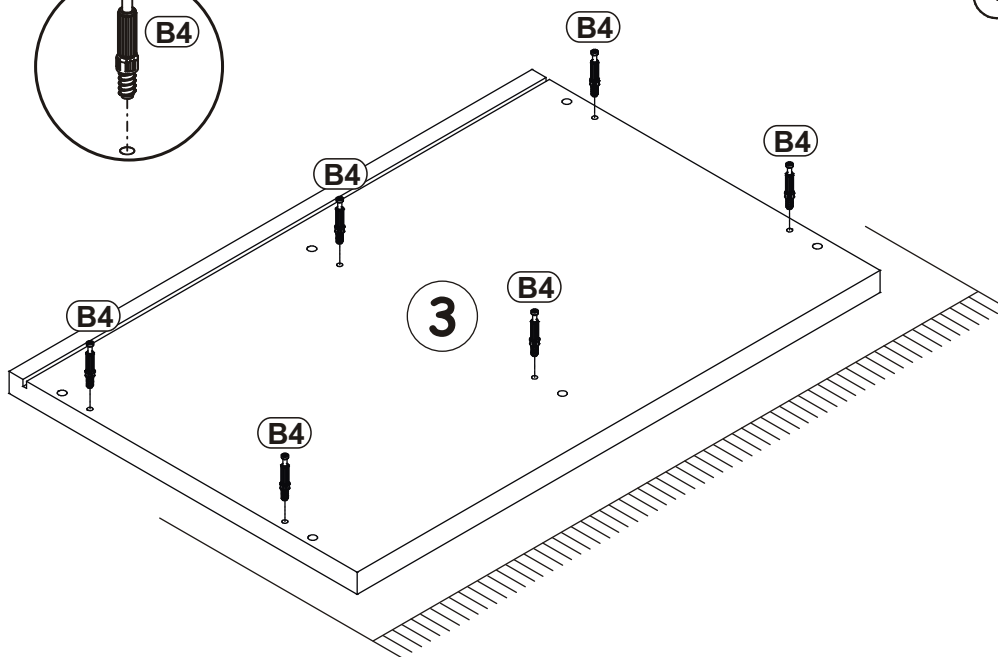
B4	
x6	



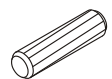
5

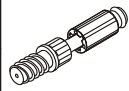


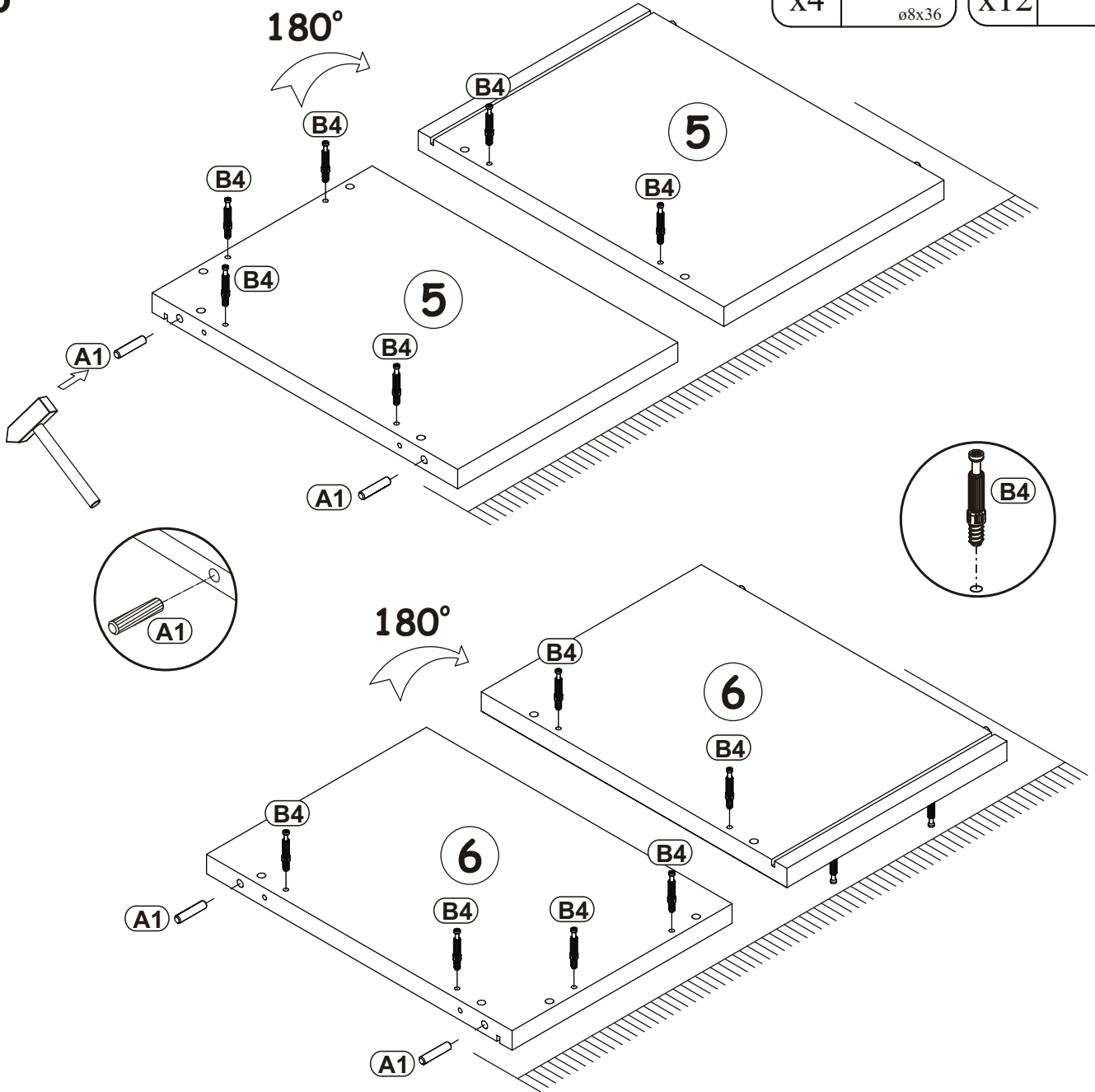
B4	
x6	



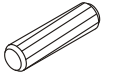
6

A1	
x4	ø8x36

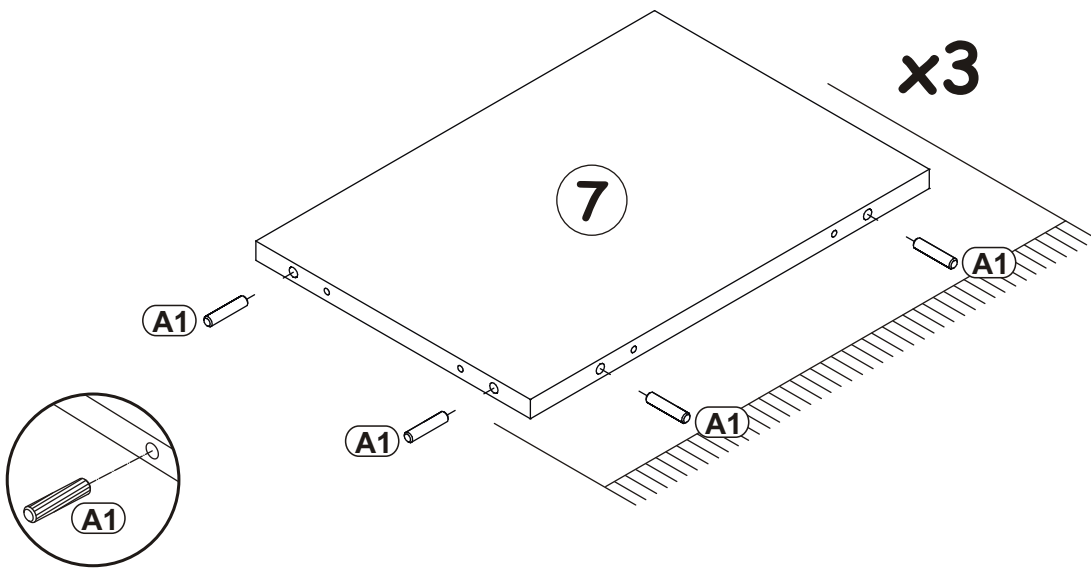
B4	
x12	



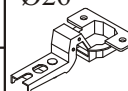
7

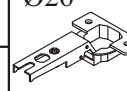
A1	
x12	ø8x36

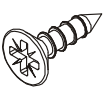
x3

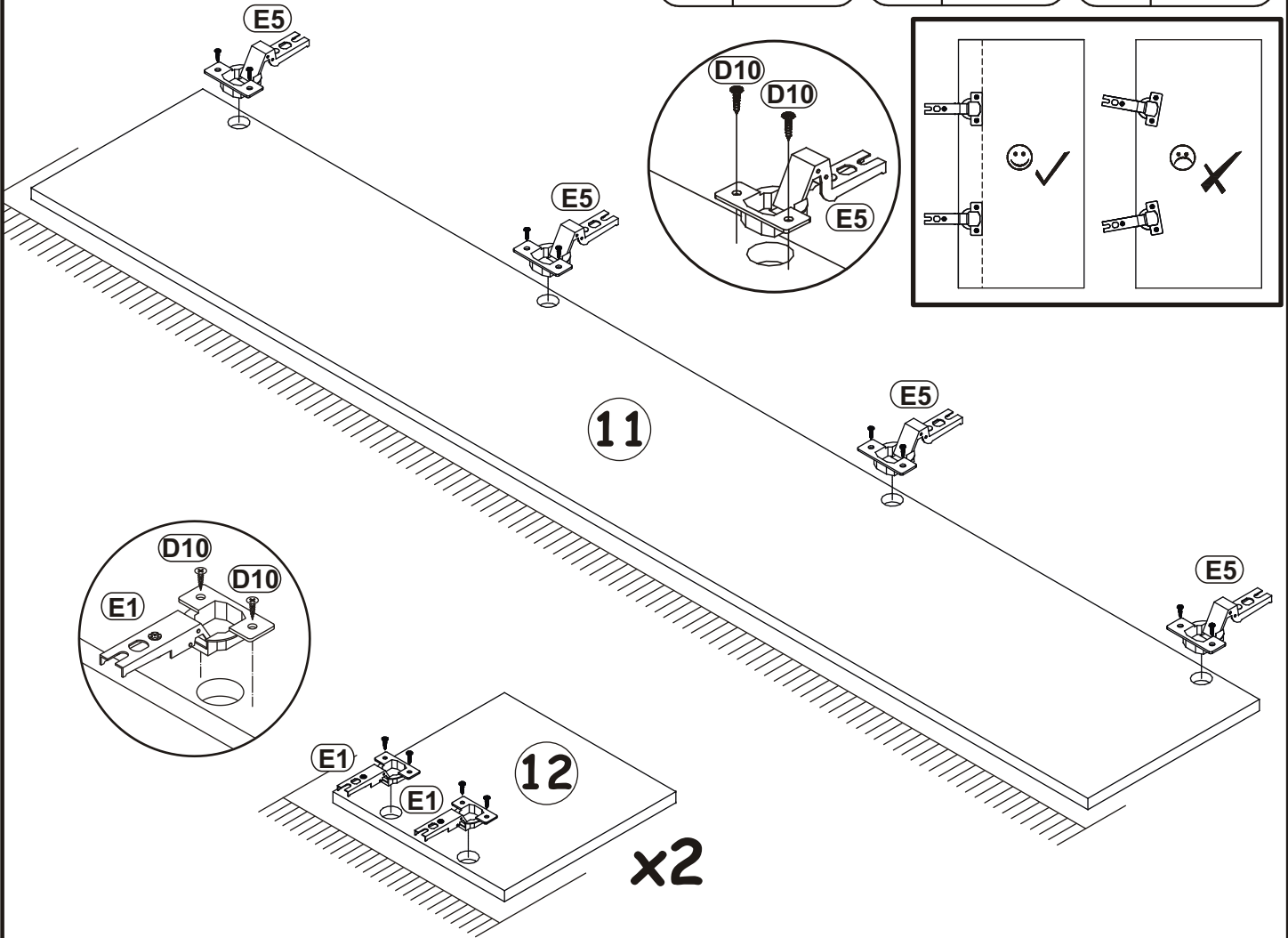


8


E5	Ø26 H=16
x4	

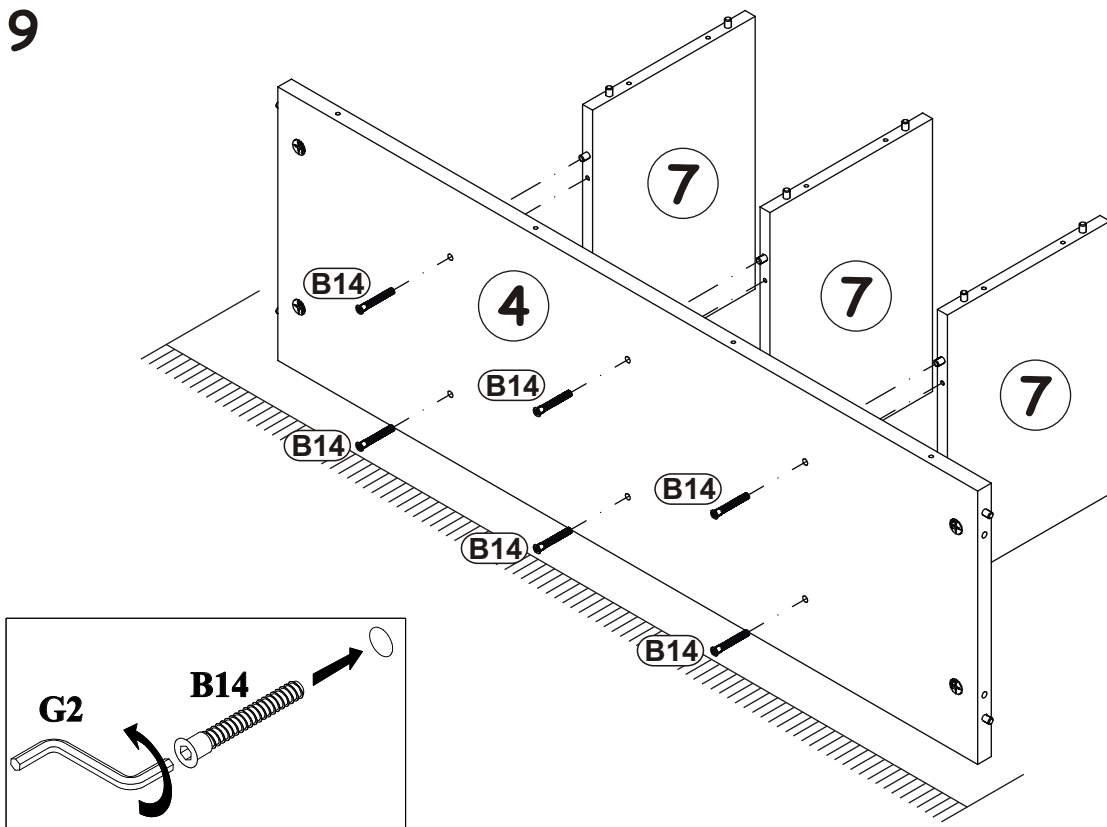
E1	Ø26 H=0
x4	



D10	
x16	USØ3,5x13



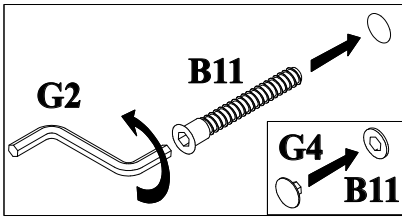
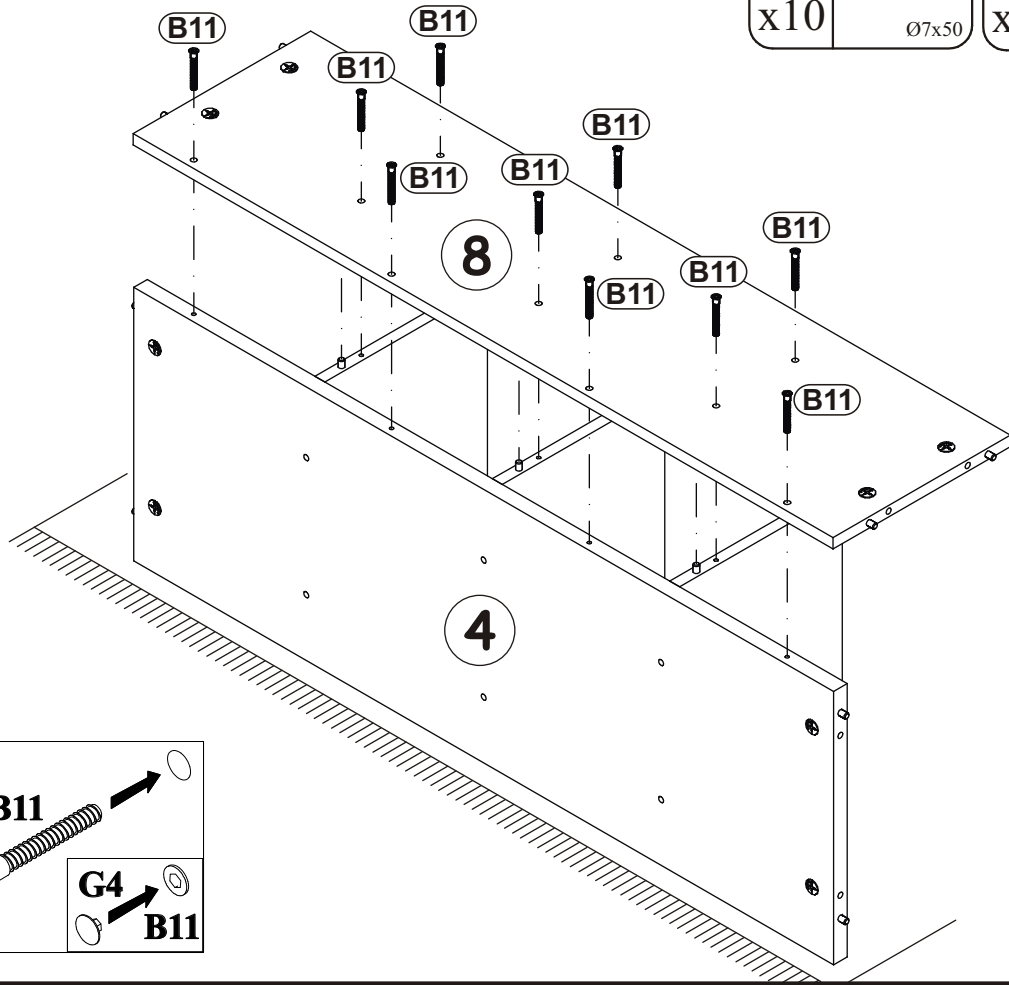
9

B14	
x6	Ø7x60

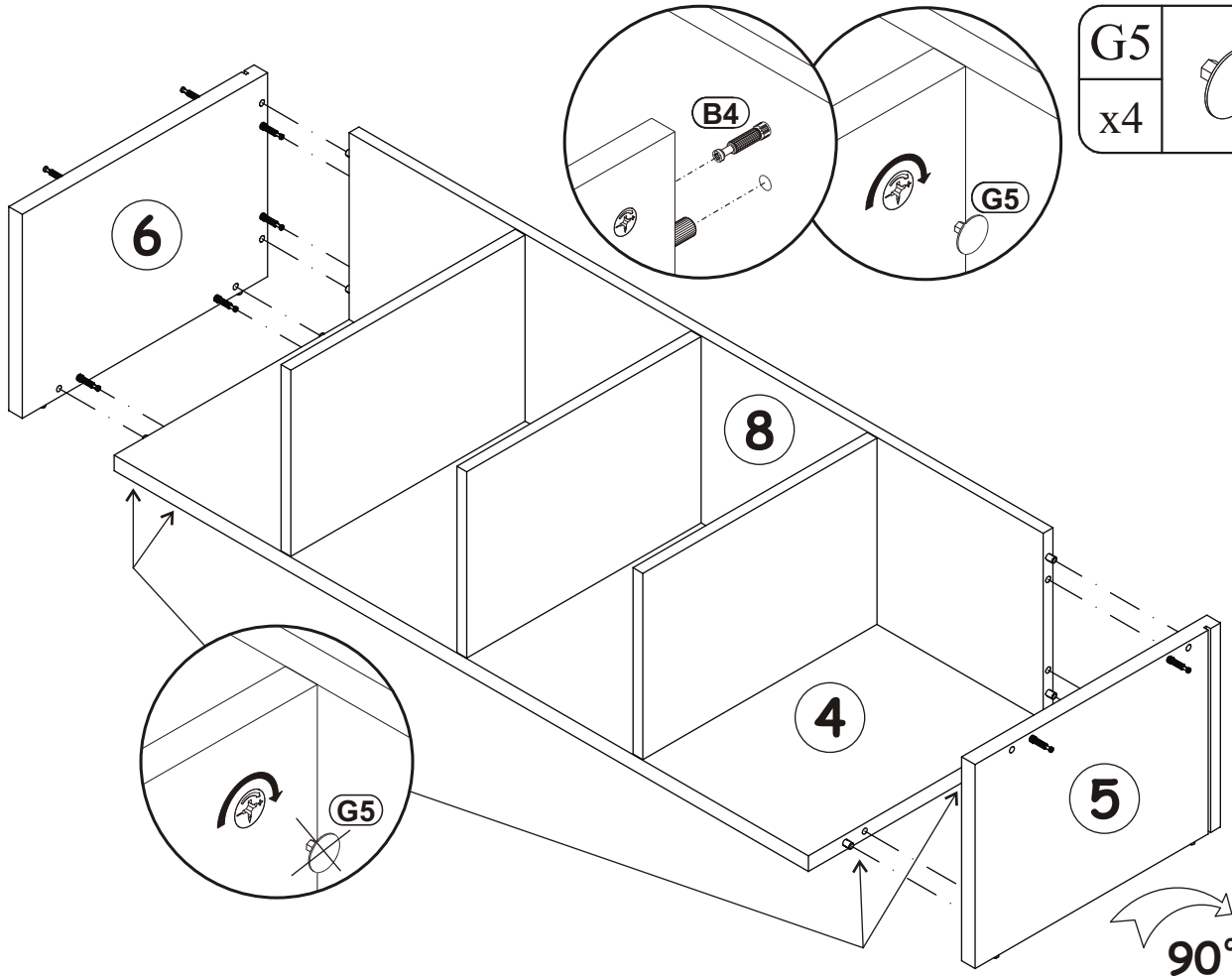



B11		G4	
x10	Ø7x50	x10	

10






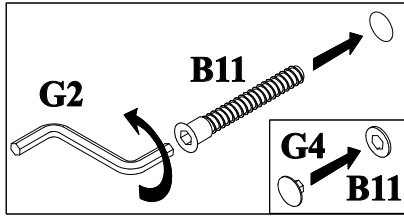
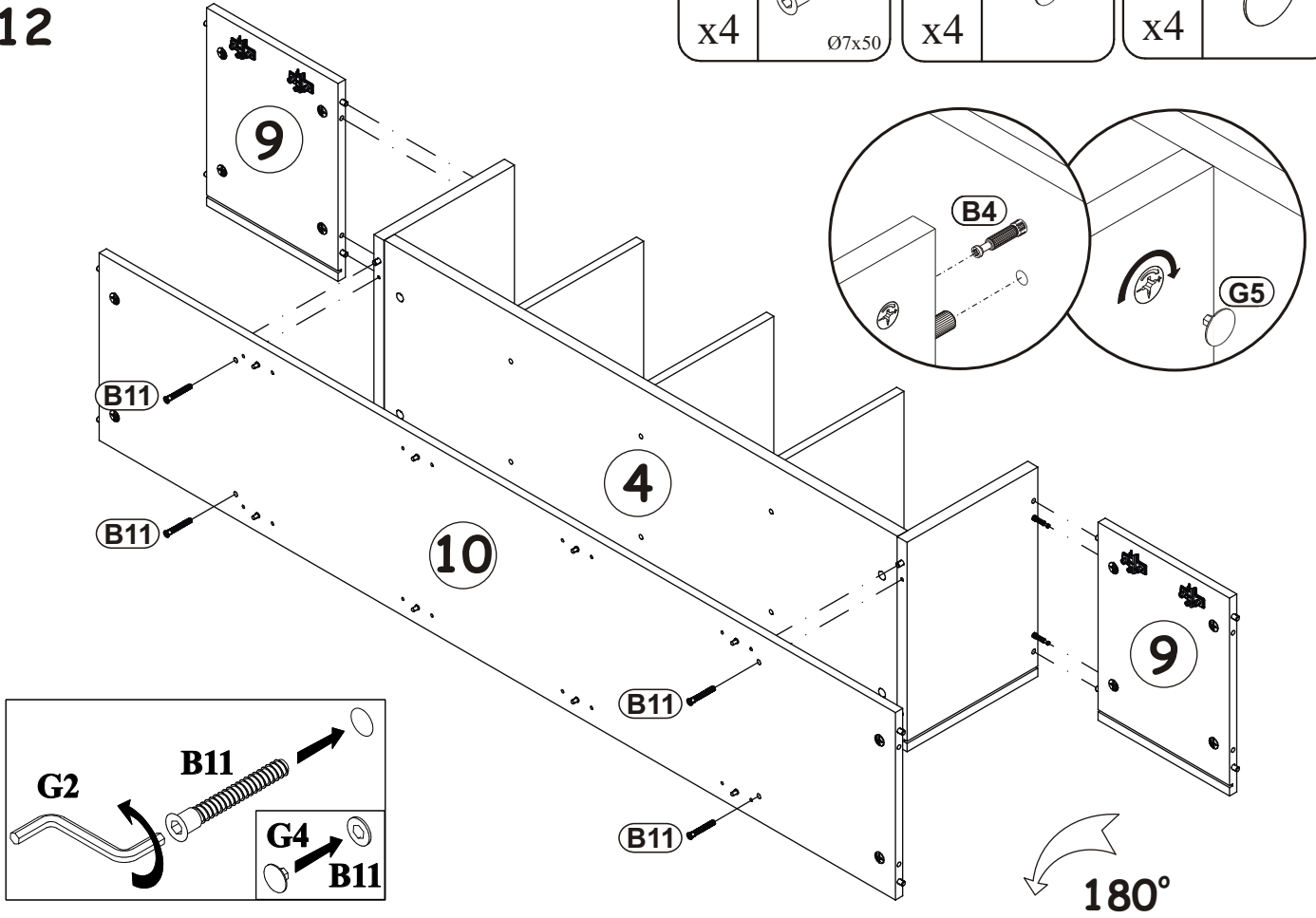
11




G5	
x4	

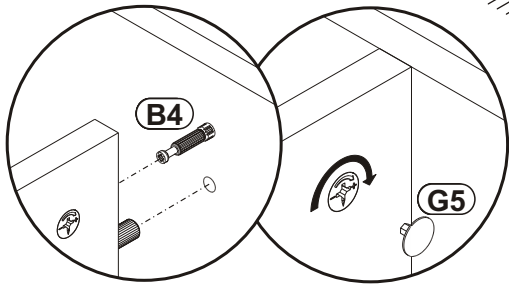
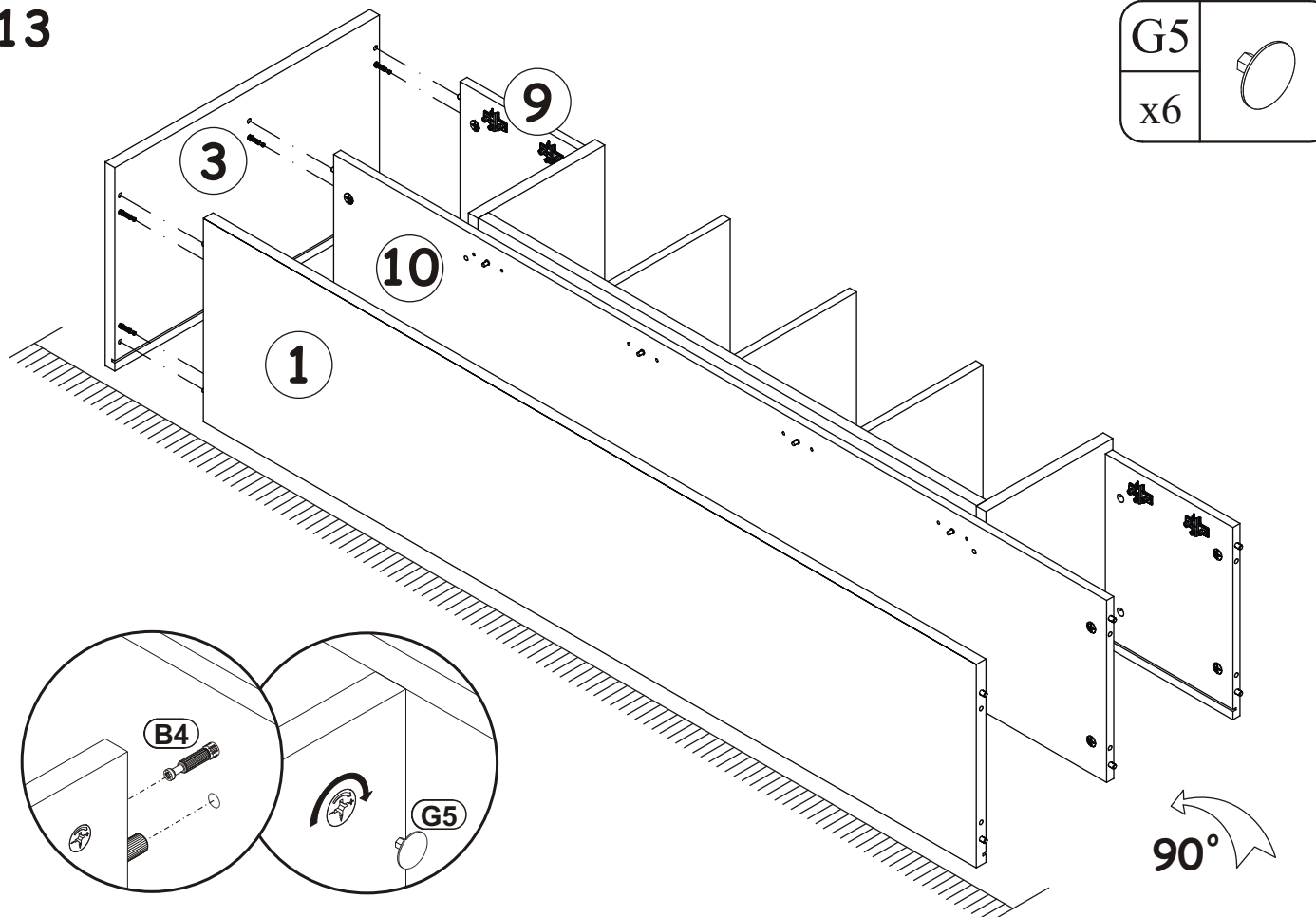
12

B11		G4		G5	
x4	Ø7x50	x4		x4	

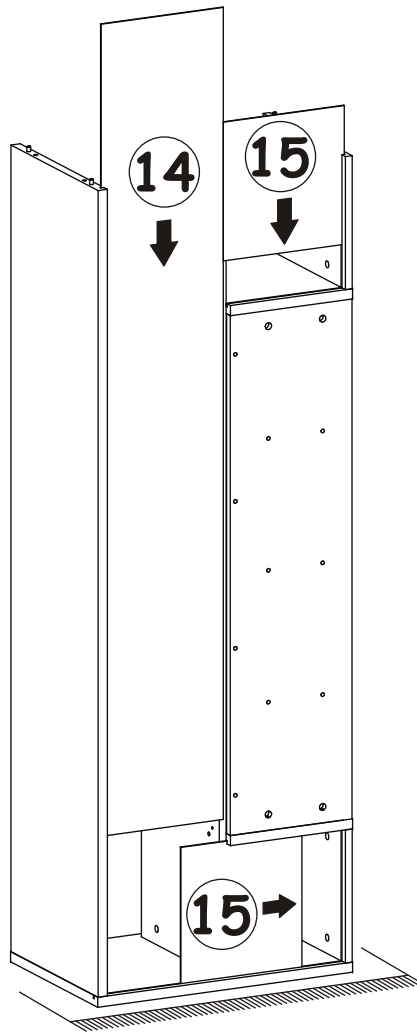


13

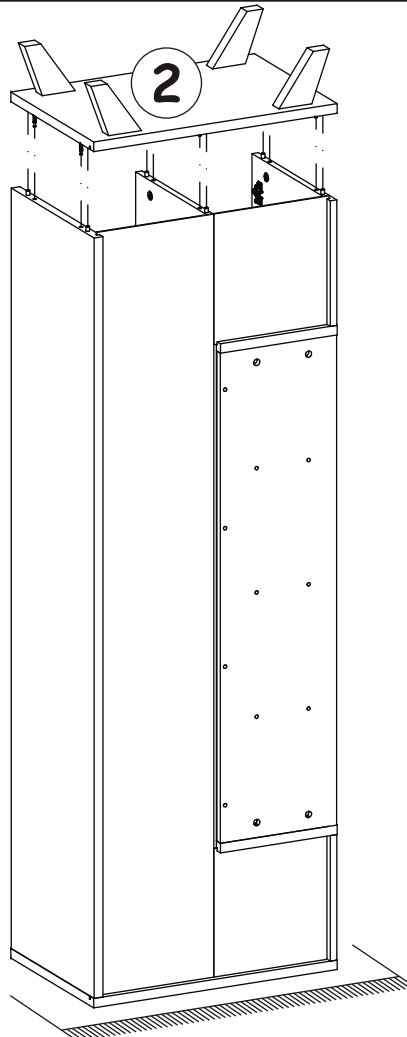
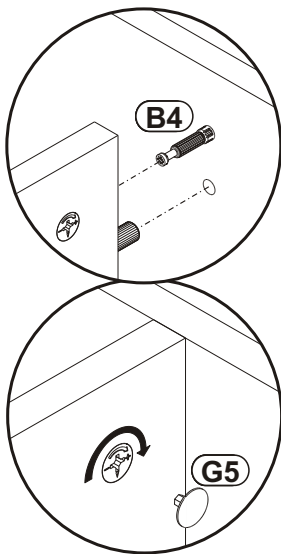
G5	
x6	



14



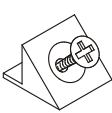
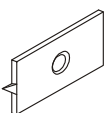

15

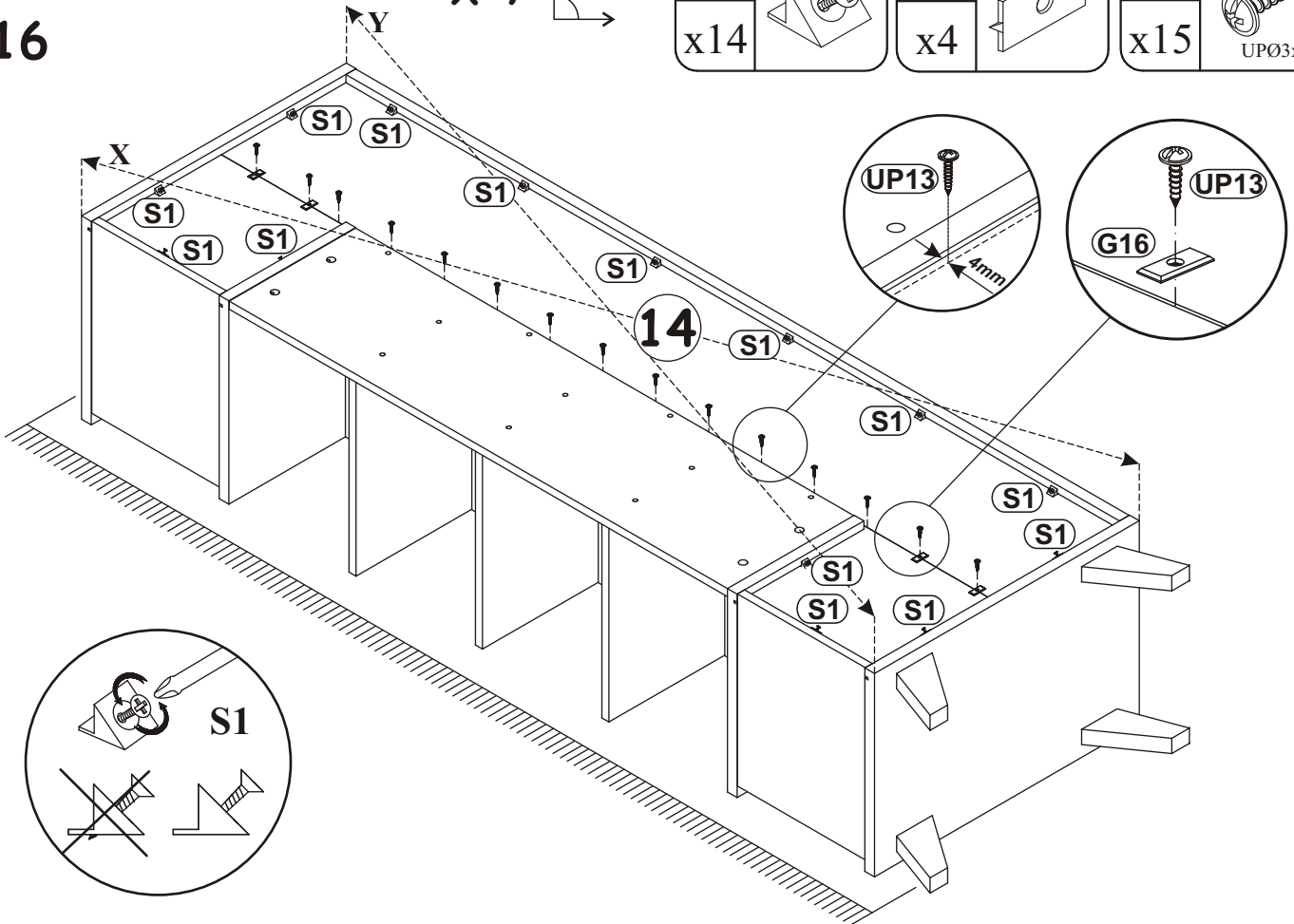


G5	
x6	

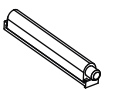
X=Y \uparrow 90°

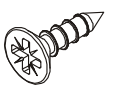
16

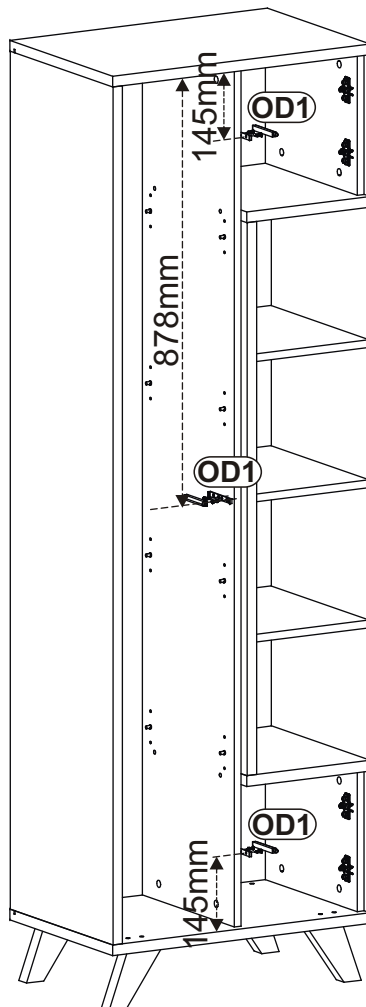
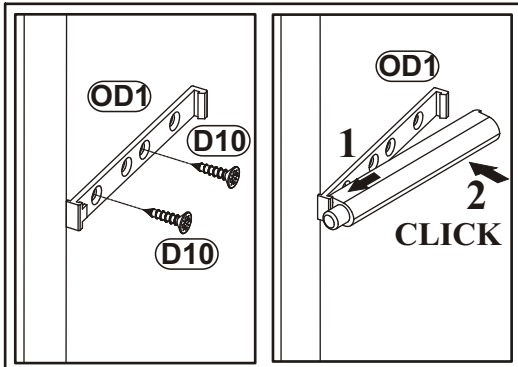
S1		G16		UP13	
x14		x4		x15	UPØ3x16



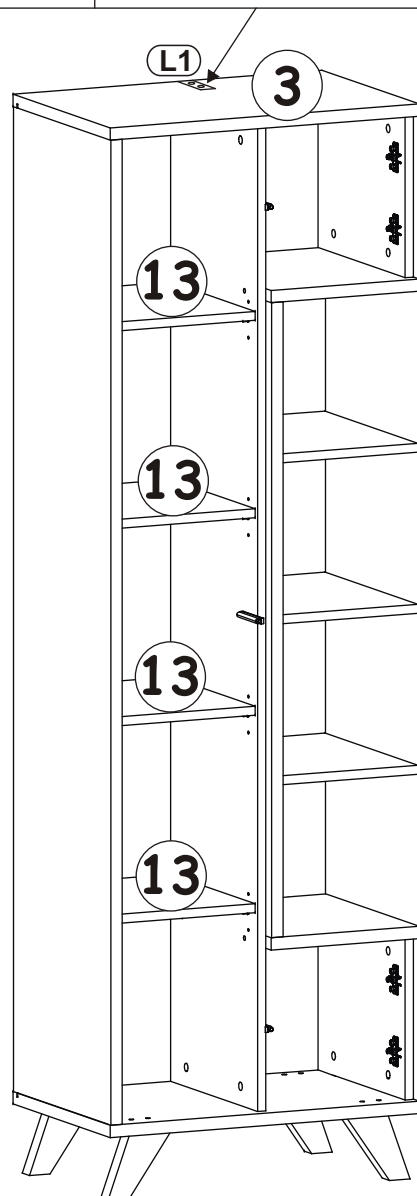
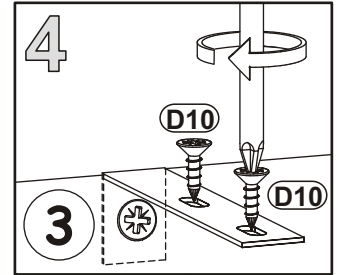
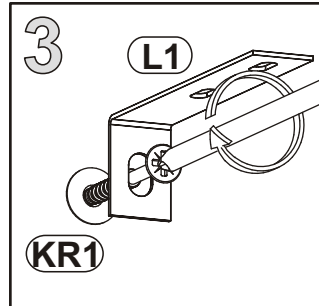
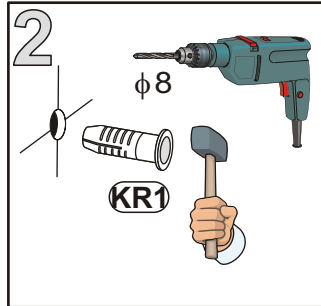
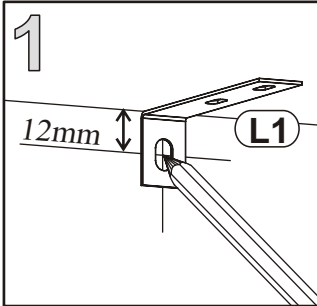
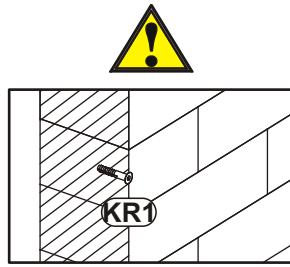
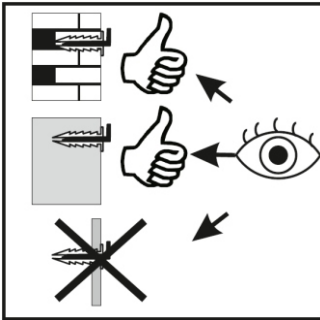
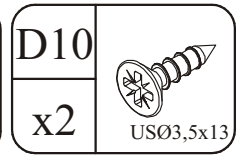
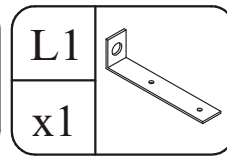
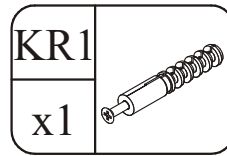
17

OD1	
x3	

D10	
x6	USØ3,5x13



18



19

