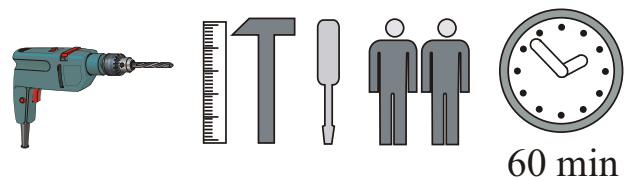
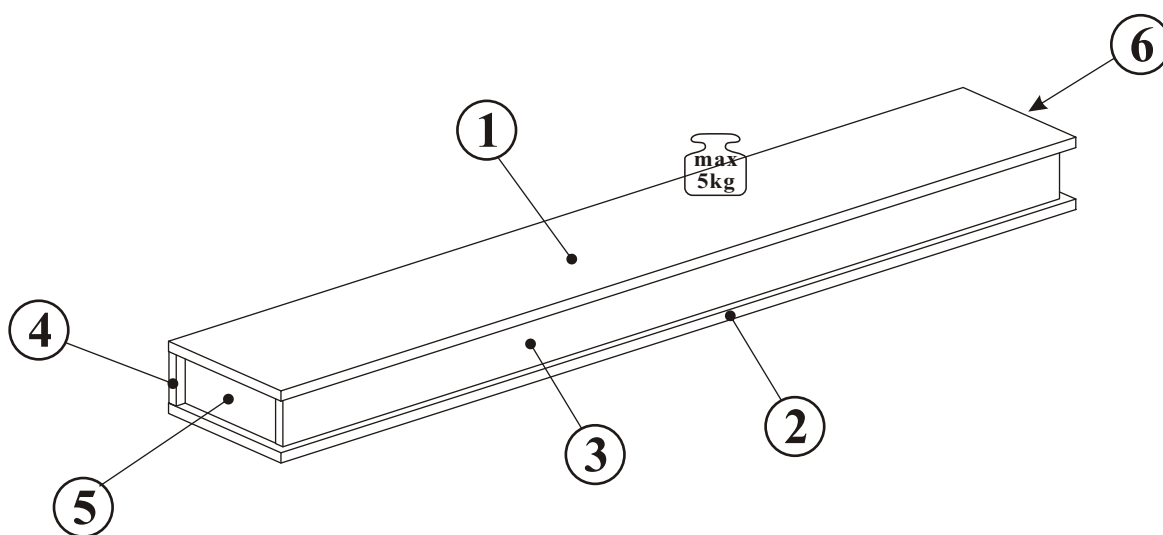
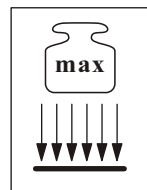
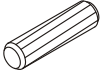
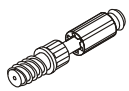
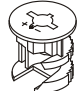





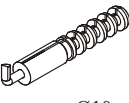
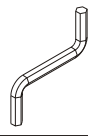


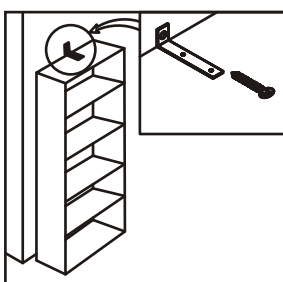
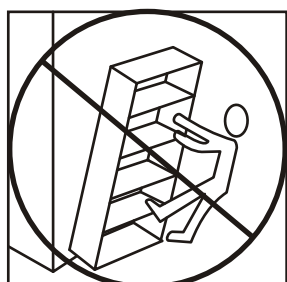
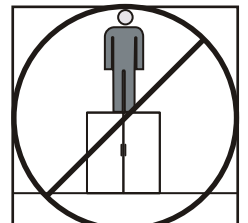
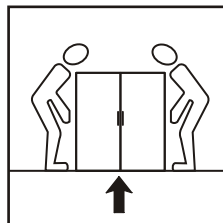
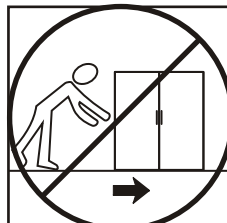
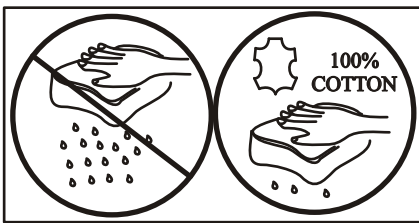
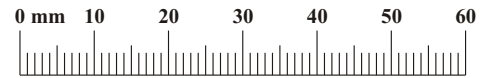
# BERLIN 20 \_BL PW



NO	Dim.			Col-No	Qty
1	1500	250	16	1	1
2	1500	250	16	1	1
3	1466	80	16	1	1
4	1498	80	16	1	1
5	202	80	16	1	1
6	202	80	16	1	1

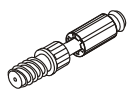

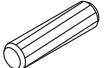
# BERLIN 20 \_BL PW

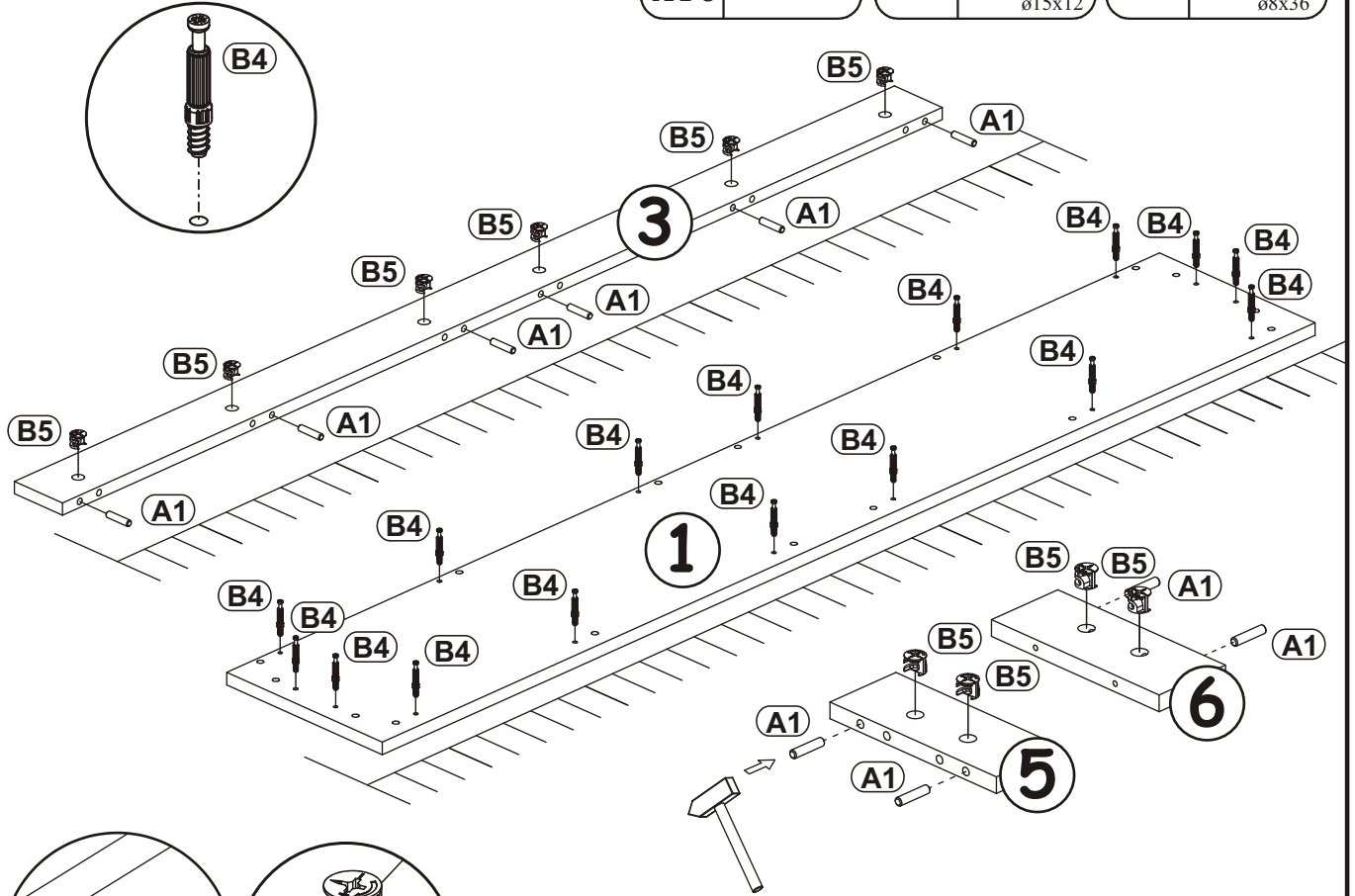
A1 x16  ø8x36	B4 x16 	B5 x16  ø15x12	G5 x16 	B11 x16  Ø7x50	G4 x16 
ZM1 x3 	D28 x6  ESØ6x9,5	KR3 x3  Ø10	G2 x1 		



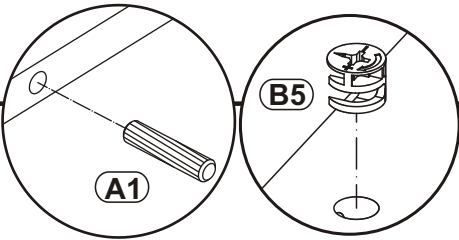
BERLIN 20 \_BL PW




1

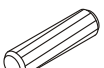
B4		B5		A1	
x16		x10	ø15x12	x10	ø8x36

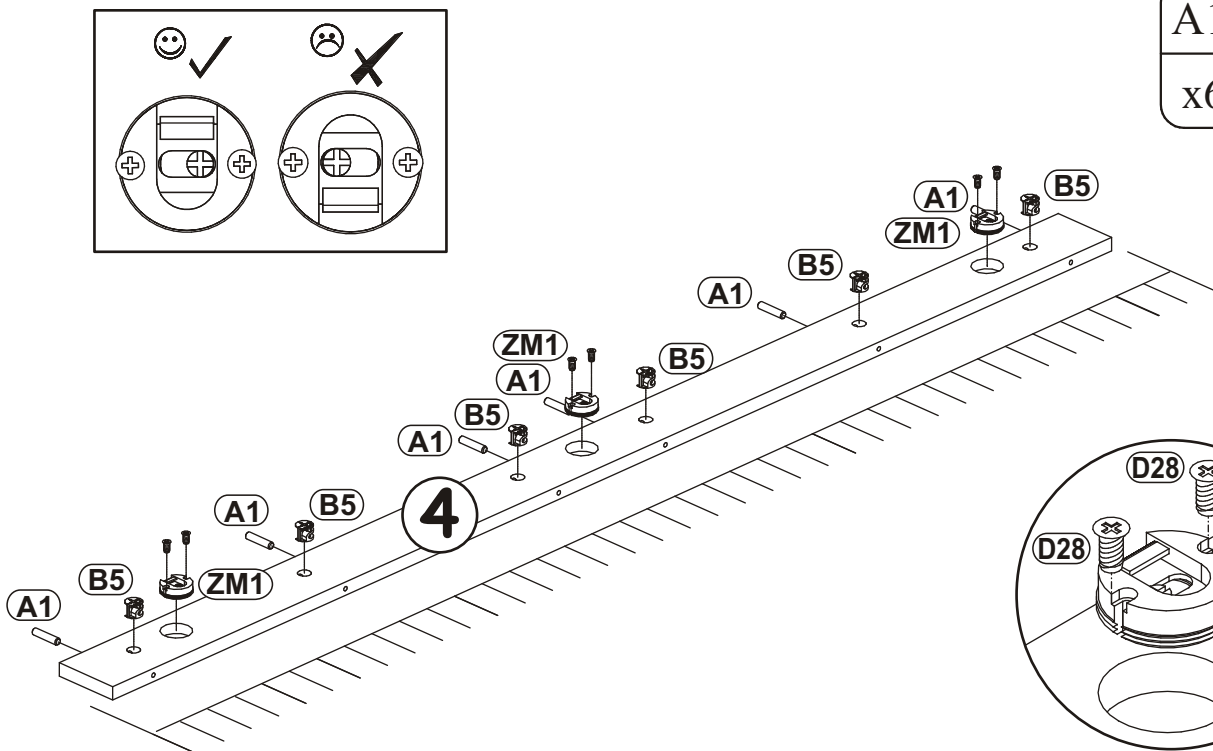


2

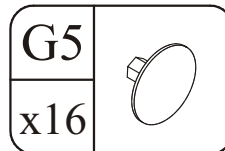
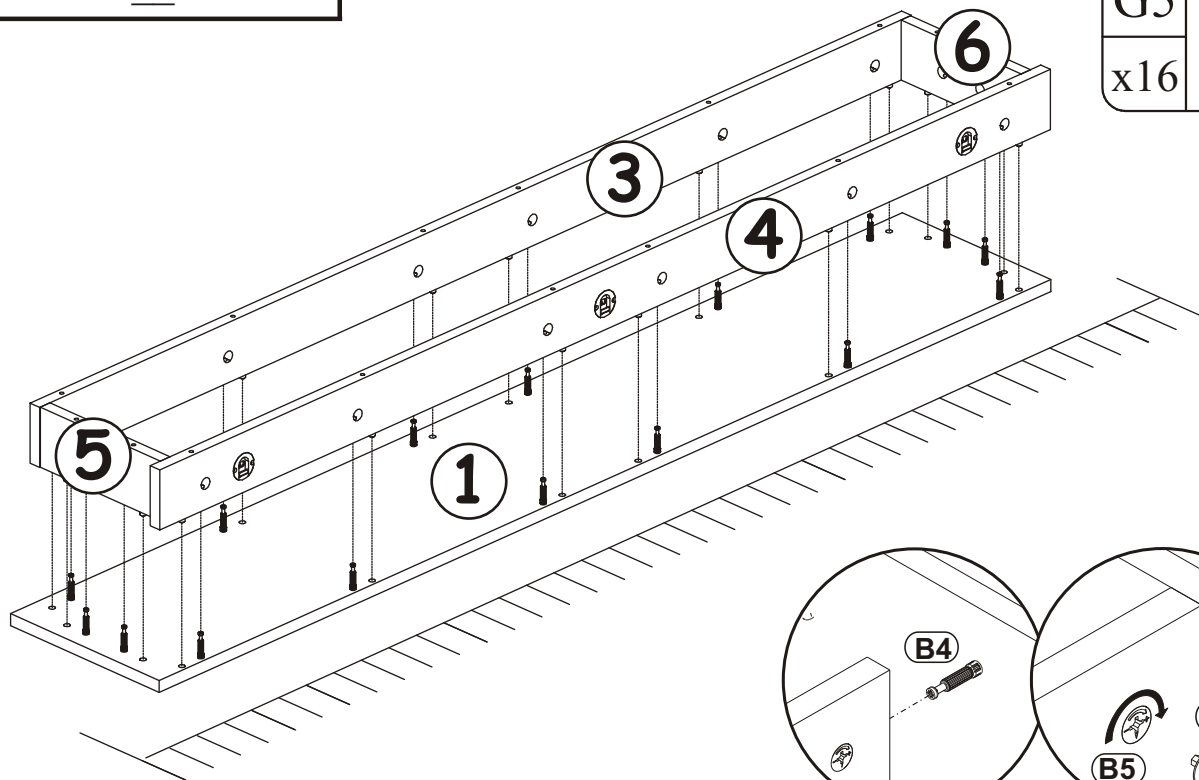


ZM1		D28		B5	
x6		x3	ESØ6x9,5	x6	ø15x12

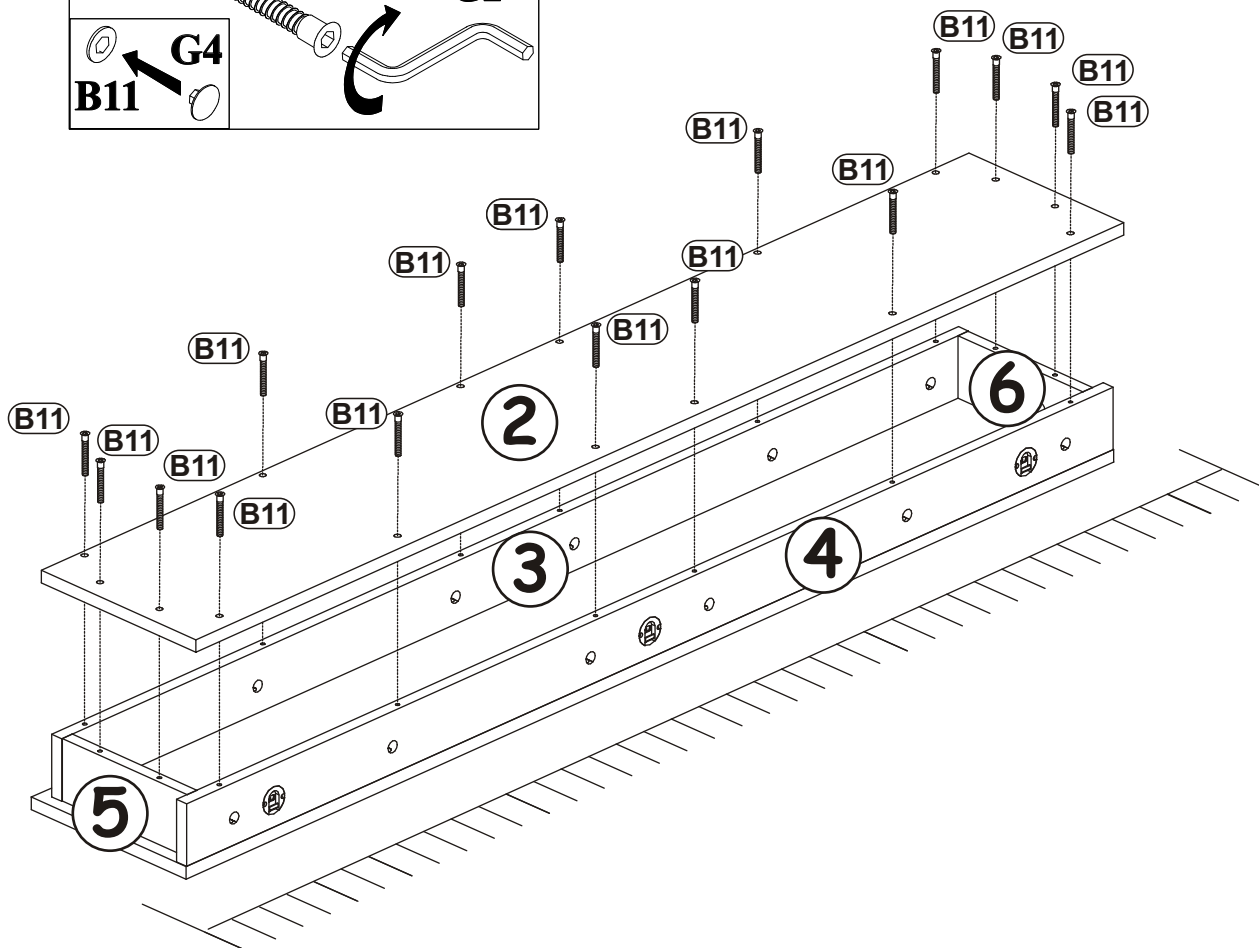
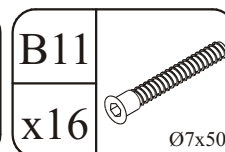
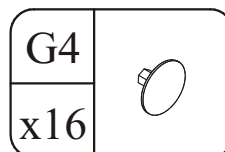
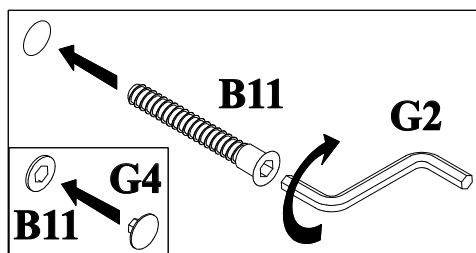
A1	
x6	ø8x36



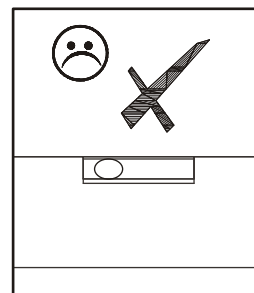
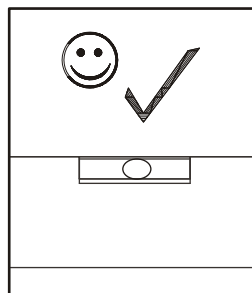
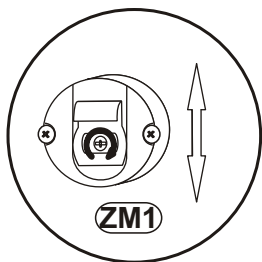
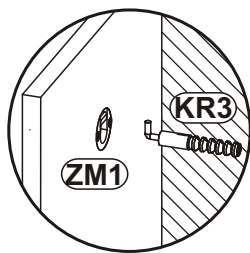
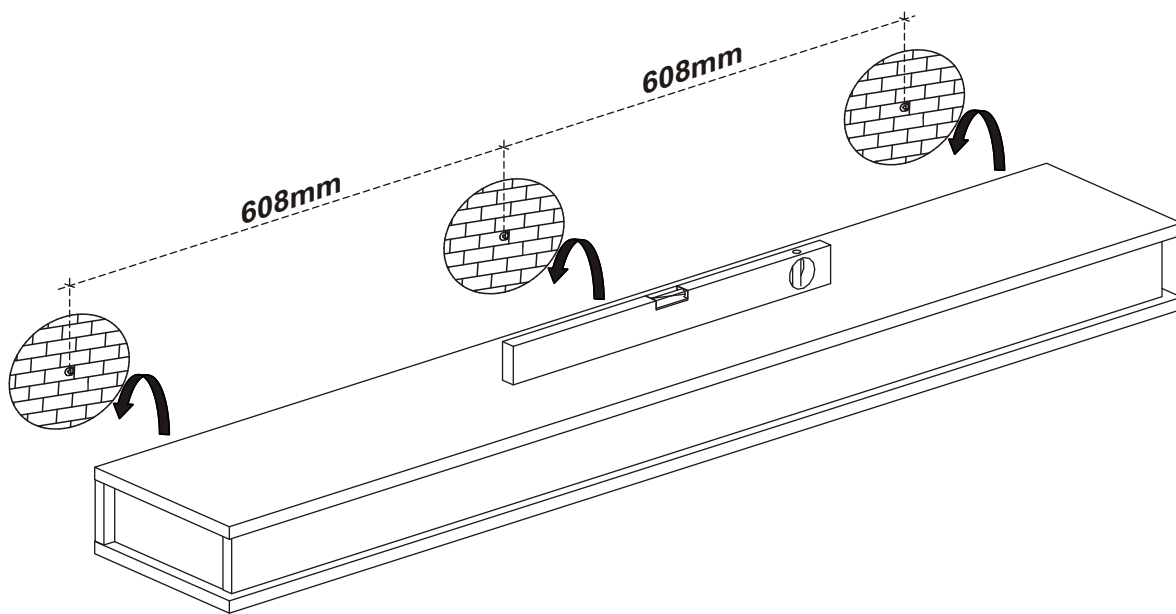
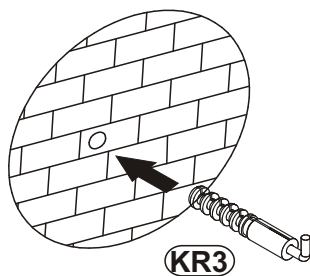
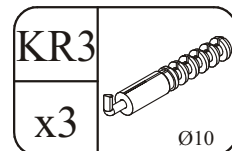
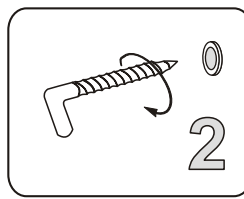
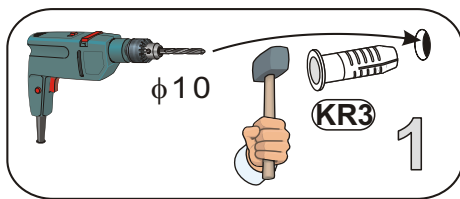
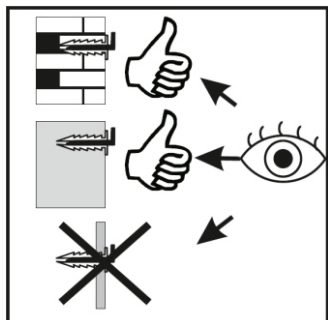
3



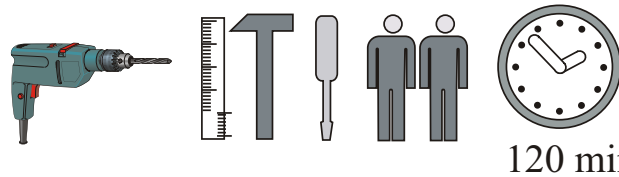
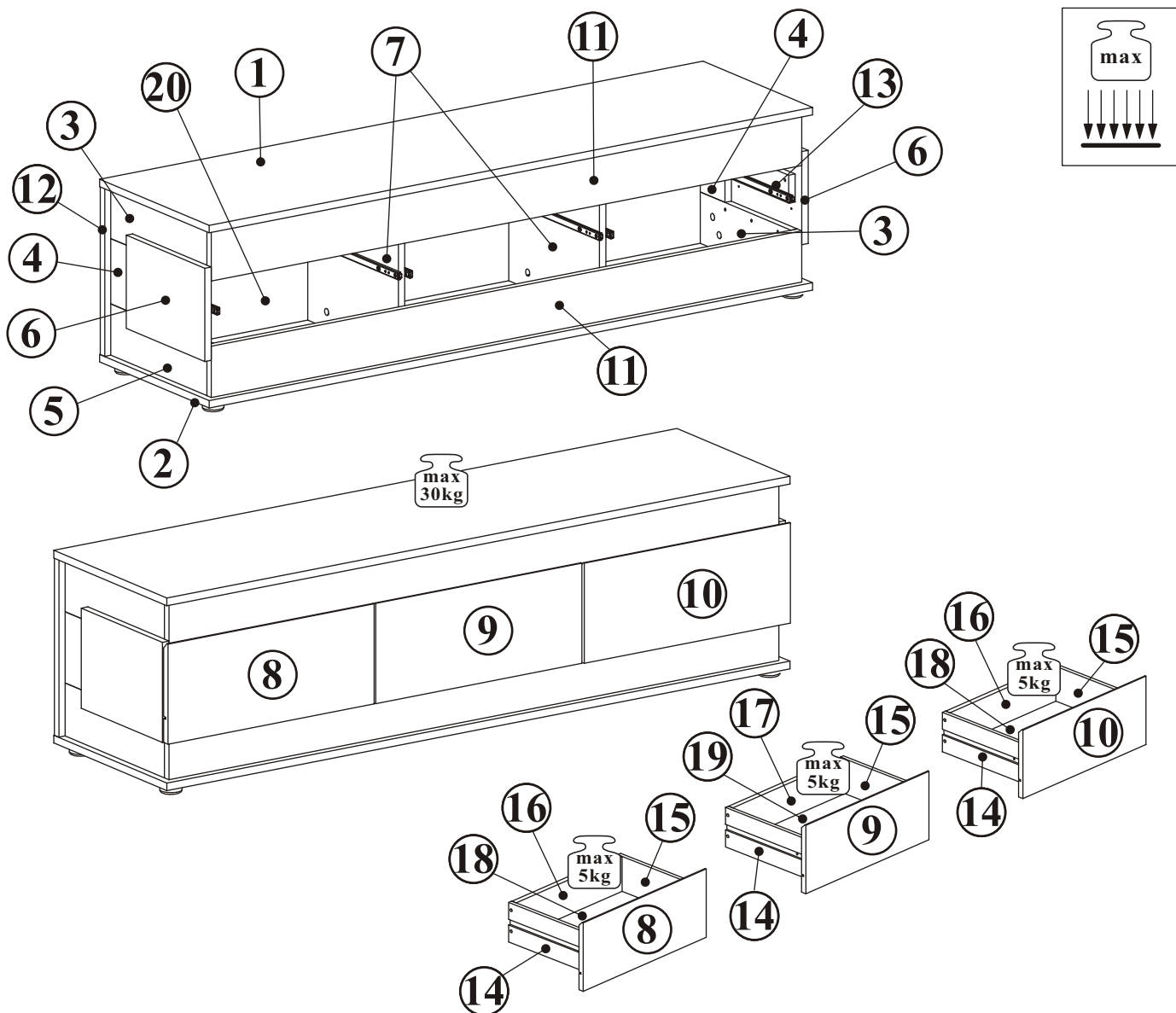
4



5



# BERLIN 20 \_BL RTV

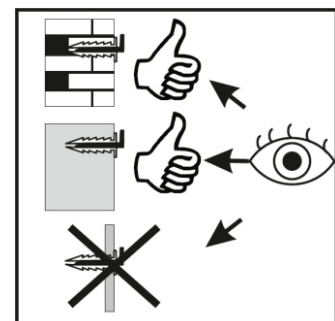
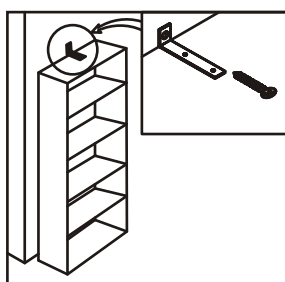
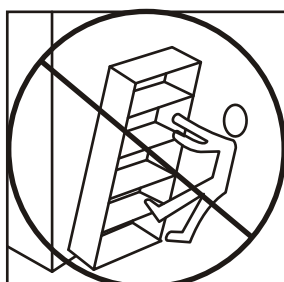
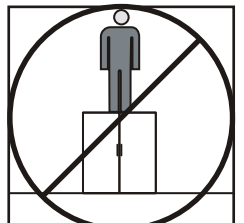
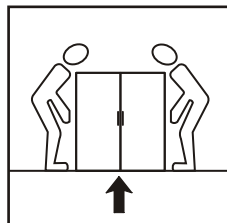
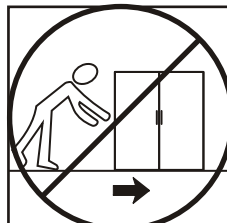
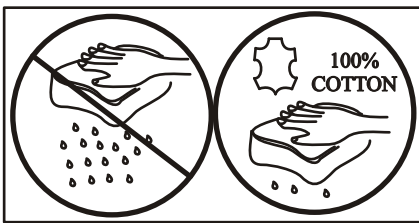
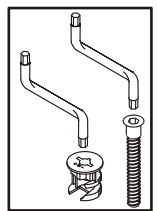
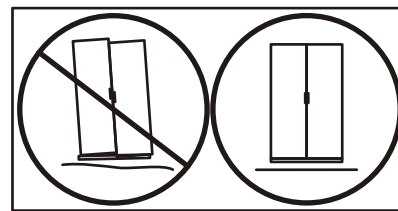
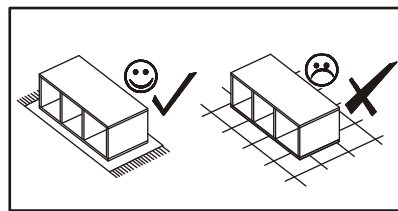
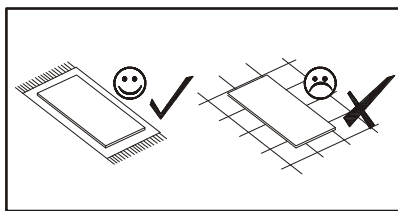
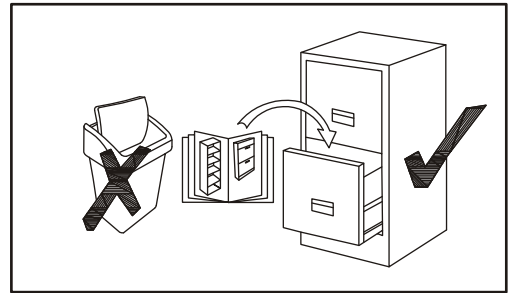
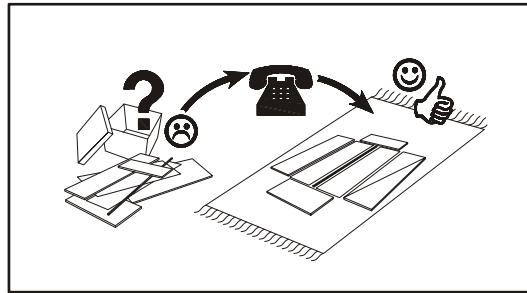
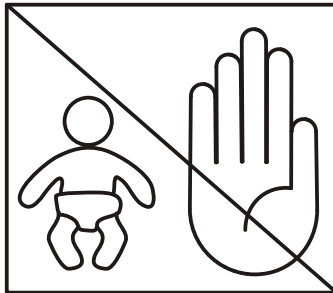
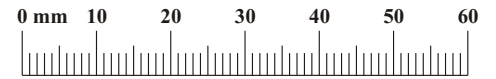


NO	Dim.			Col-No	Qty
3	110	351	16	1	2
4	140	110	16	1	2
5	110	351	16	1	2
6	200	287	16	1	2
7	360	331	16	1	2
8	496	200	16	1	1
9	496	200	16	1	1
10	496	200	16	1	1
12	360	60	16	1	2
13	233	60	16	1	2
14	300	120	12	1	3
15	300	120	12	1	3
18	305	437	3	1	2
19	305	461	3	1	1

NO	Dim.			Col-No	Qty
1	1500	400	16	2	1
2	1500	400	16	2	1
11	1468	110	16	2	2
16	427	106	16	2	2
17	451	106	16	2	1
20	1448	372	3	2	1

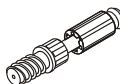
# BERLIN 20\_BL RTV


A1 x46 ø8x36	B4 x30	B5 x32 ø15x12	G5 x32	B6 x4 Ø7x76	UP6 x16 UPØ4x30
L1 x2	KR1 x2	UP13 x18 UPØ3x16	B7 x6 Ø15x10,3	UP11 x6 UPØ4x20	I11 x6 Ø45, h=15
D10 x4 USØ3,5x13	A6 x8 Ø8x80	S1 x15	G8 x6 Ø20	D20 x12 ESØ6,3x9,5	G2 x1
D18 x6 M4x9	B11 x12 Ø7x50	G4 x12	H6 x3 L-278mm.	UP12 x2 UPØ3,5x30	

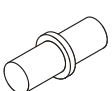


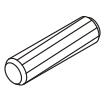
BERLIN 20\_BL RTV

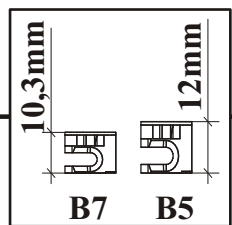
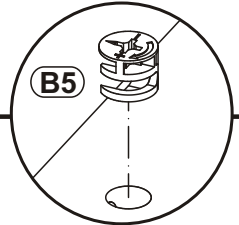
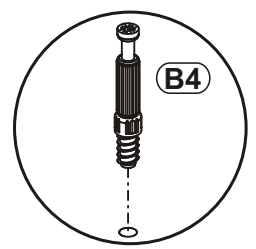
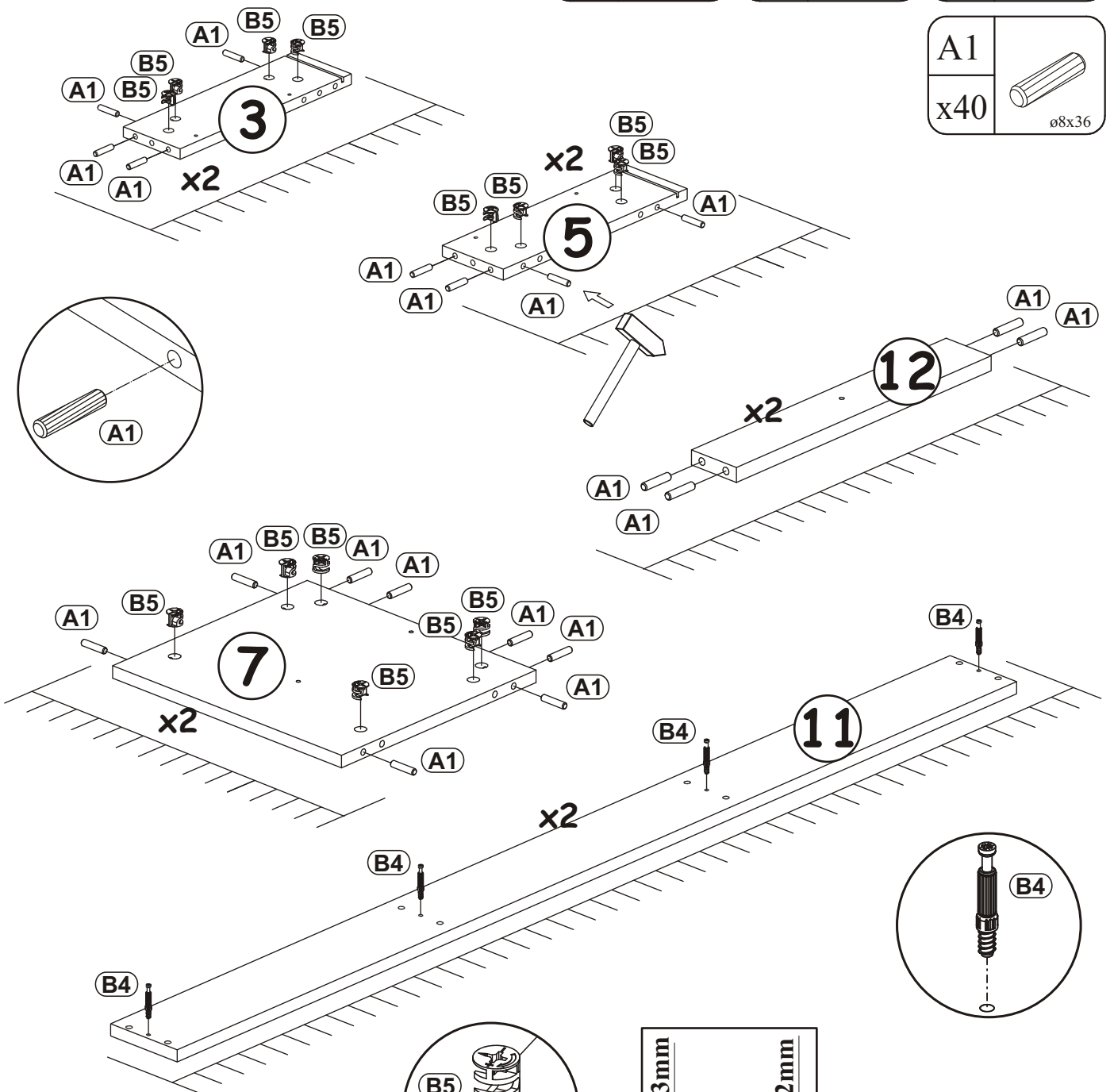
1

B4	
x8	

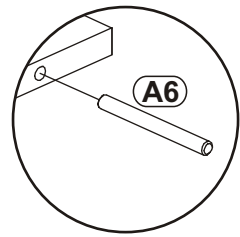
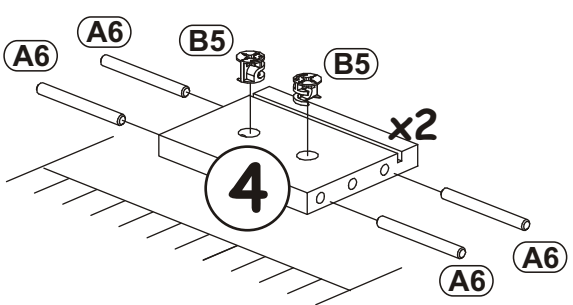
B5	
x28	ø15x12


G7	
x6	

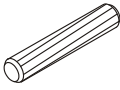
A1	
x40	ø8x36



2

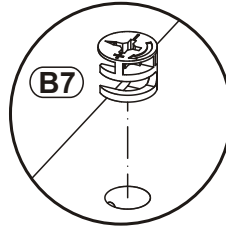
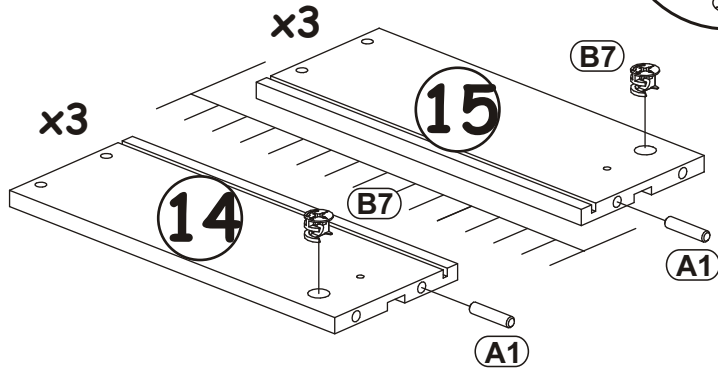


B5	
x4	ø15x12

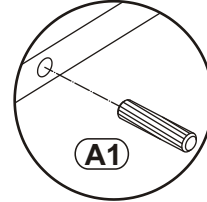
A6	
x8	Ø8x80





3

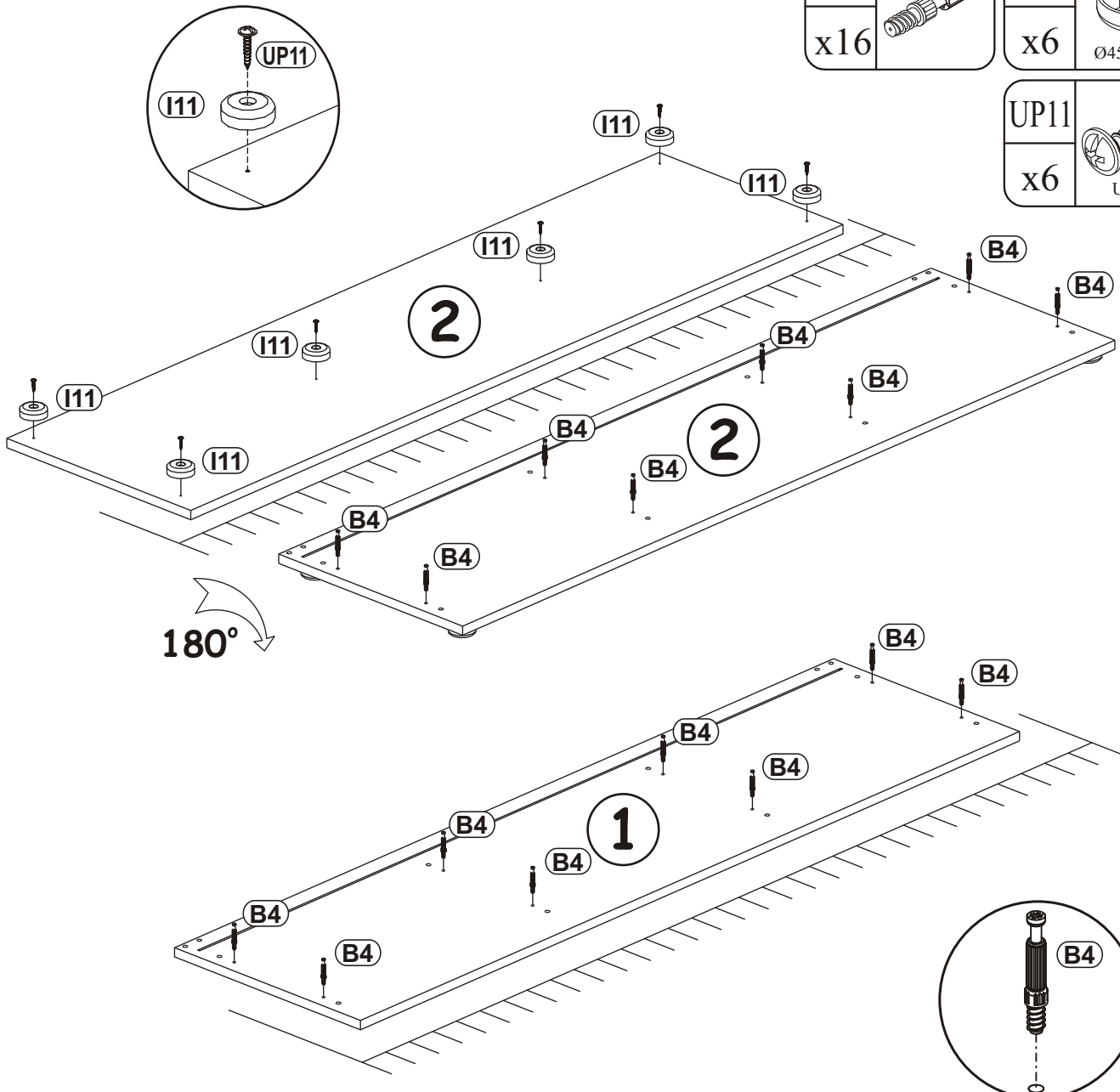


B7		A1	
x6	Ø15x10,3	x6	ø8x36

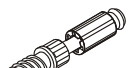
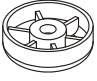



10,3mm	12mm
	
B7	B5

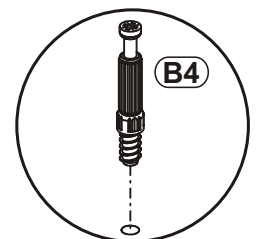
4



180°

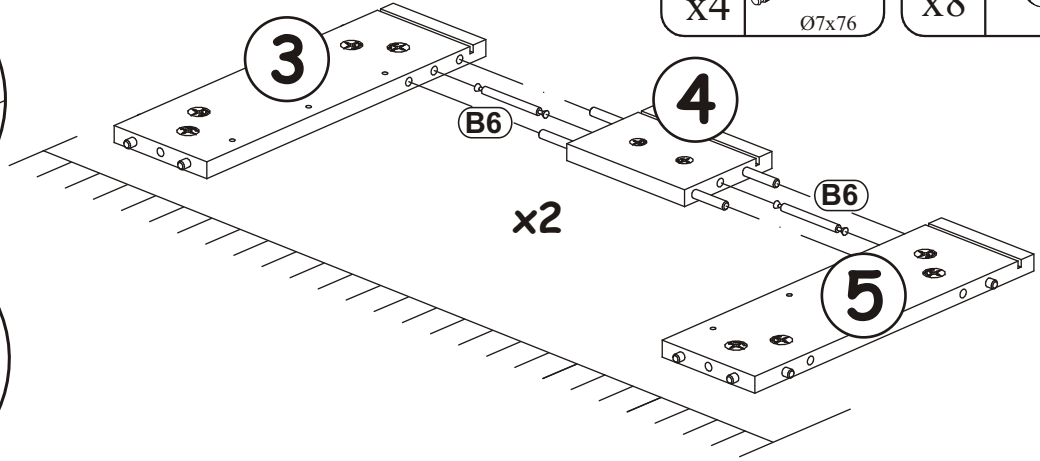
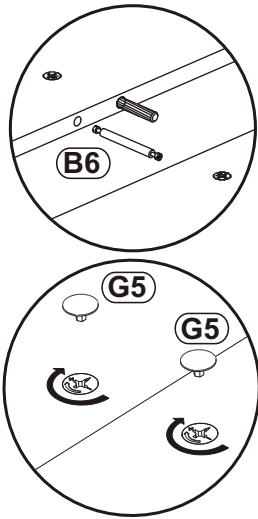
B4		I11	
x16		x6	Ø45, h=15


UP11	
x6	UPØ4x20




BERLIN 20\_BL RTV


5



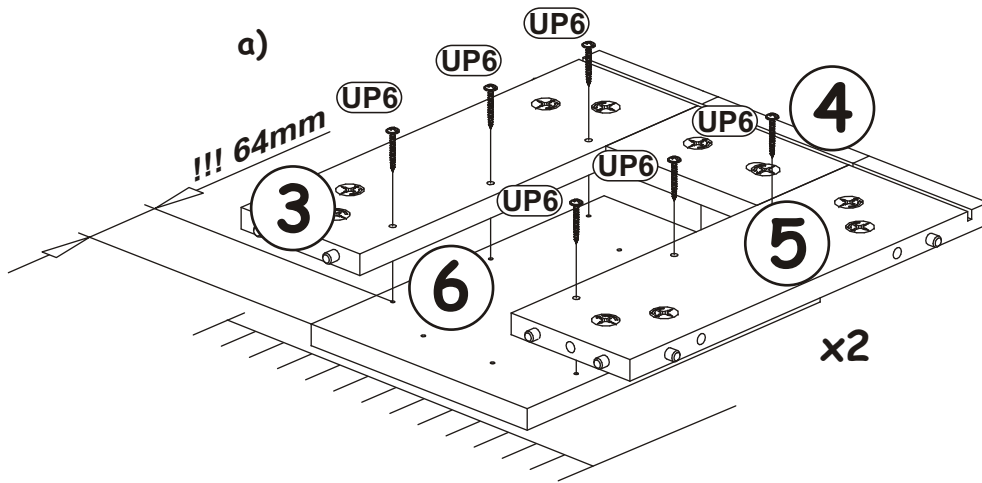
B6	
x4	Ø7x76

G5	
x8	

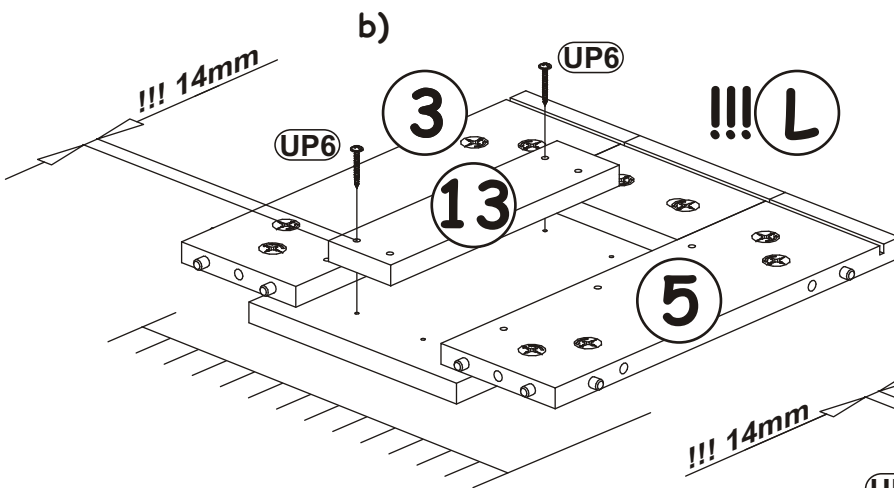
6

UP6	
x16	UPØ4x30

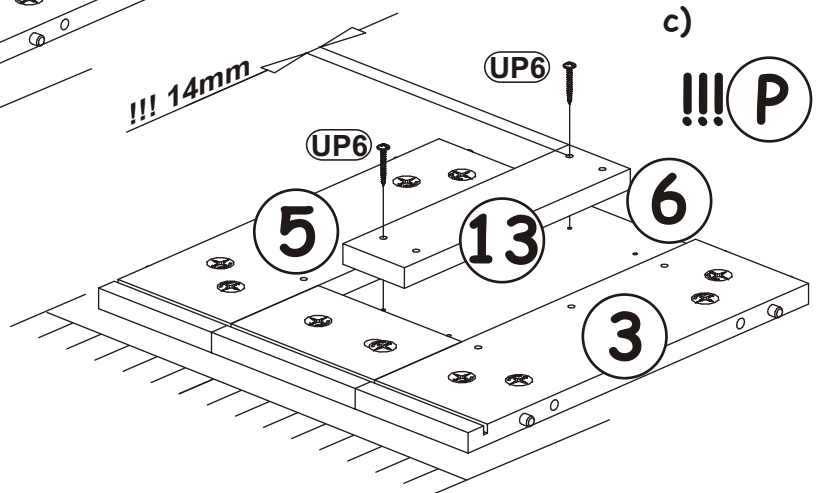
a)



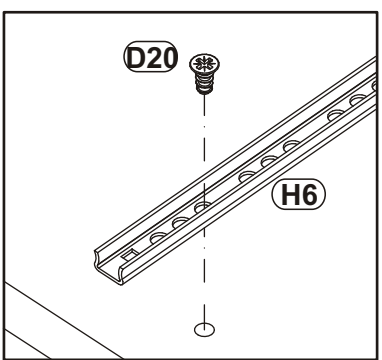
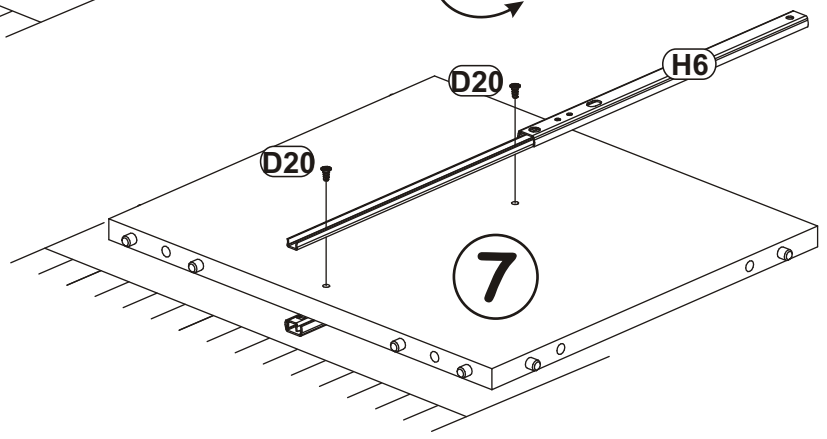
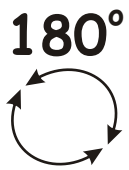
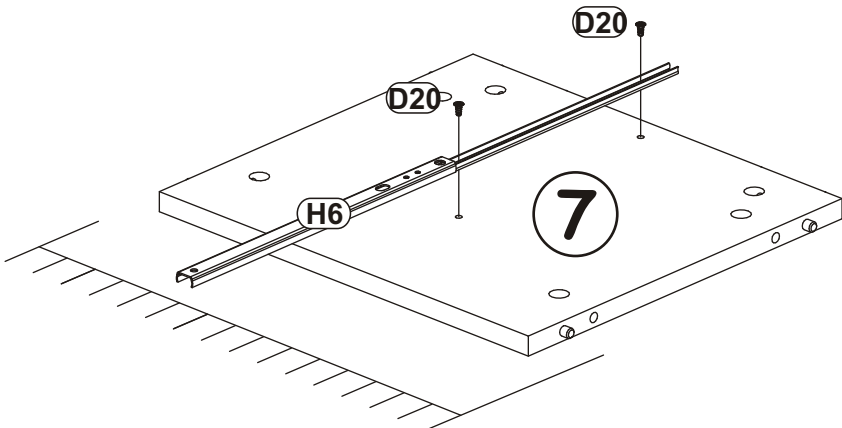
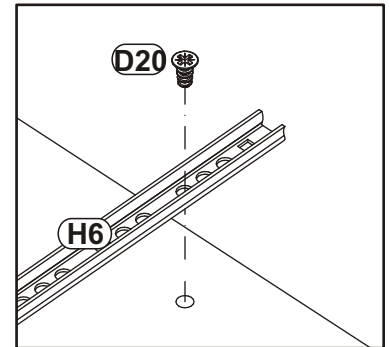
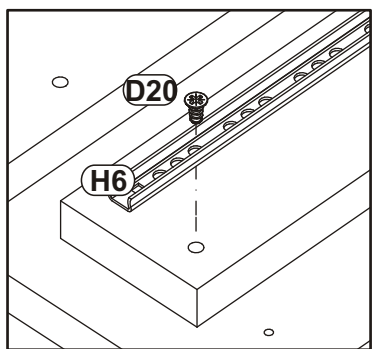
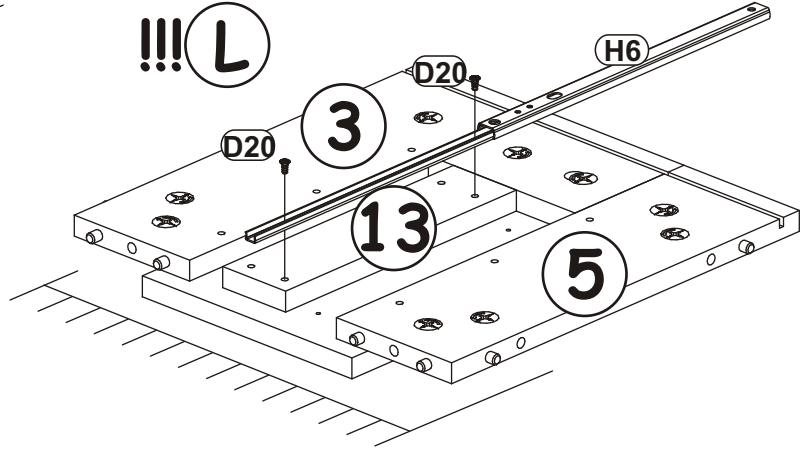
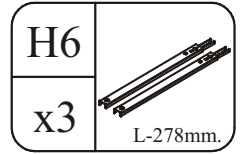
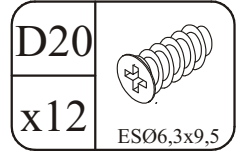
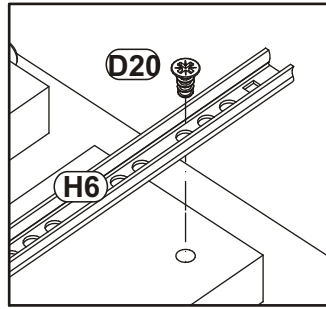
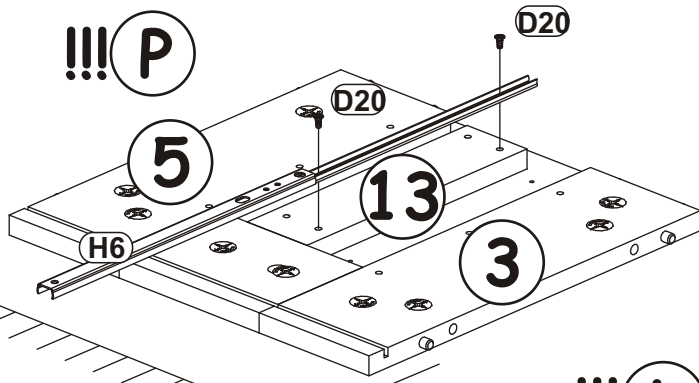
b)



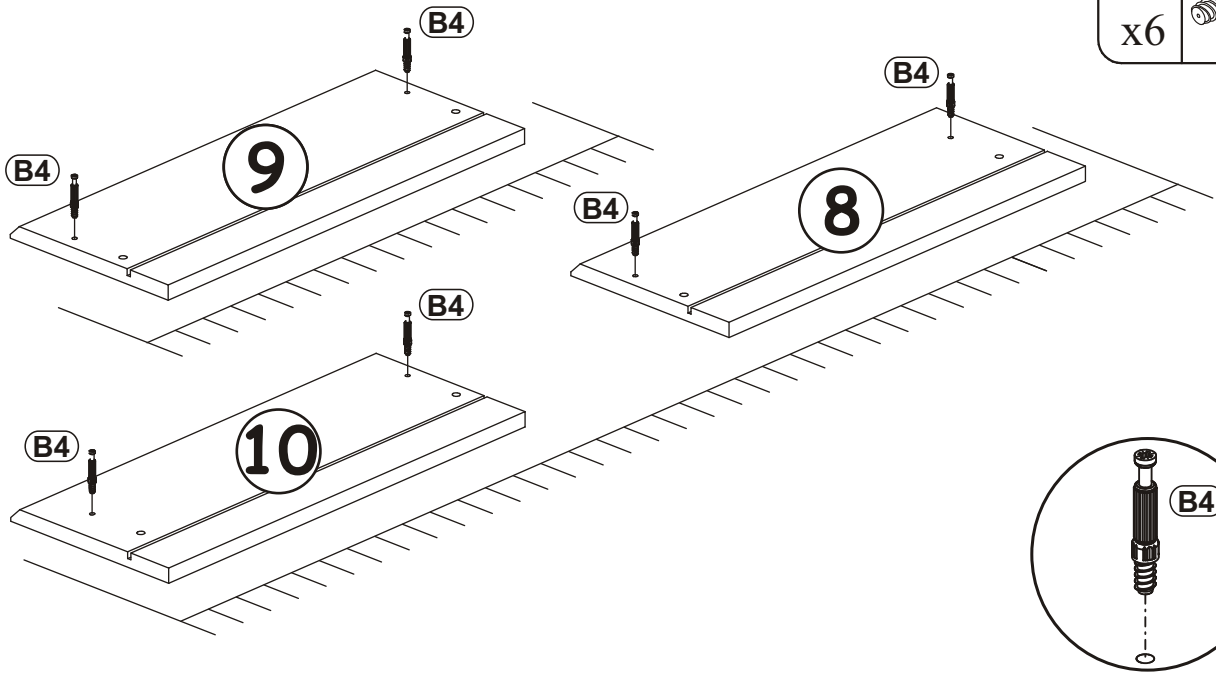
c)

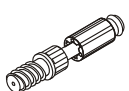


7






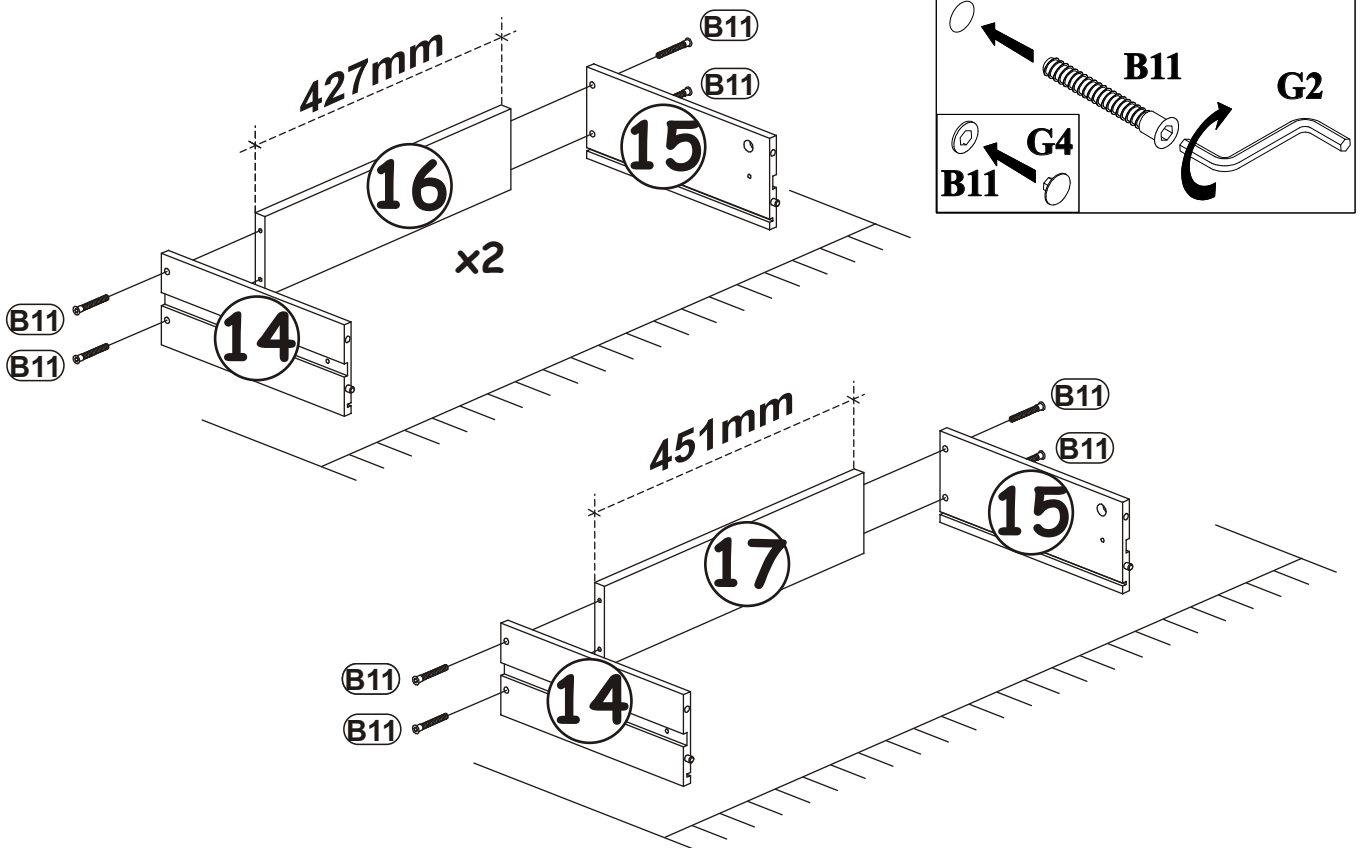
8



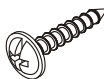
B4	
x6	


9

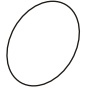
B11		G4		G8	
x12	Ø7x50	x12		x6	Ø20

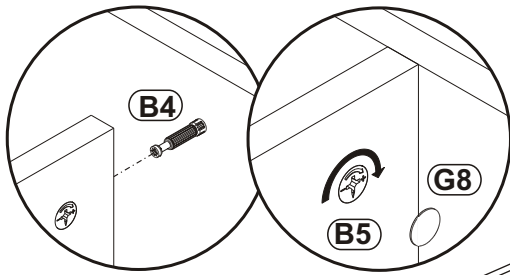
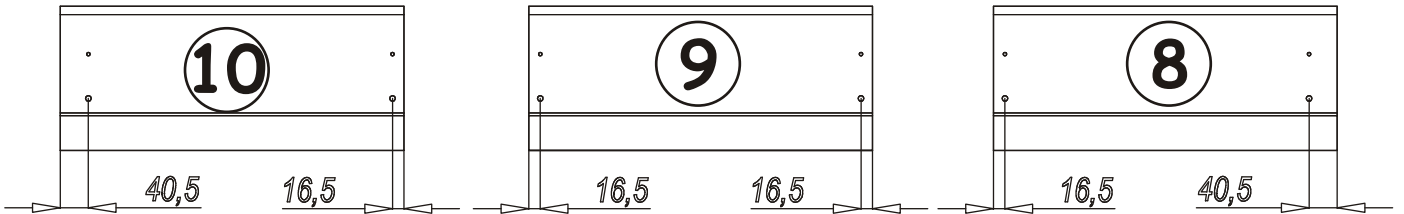


10

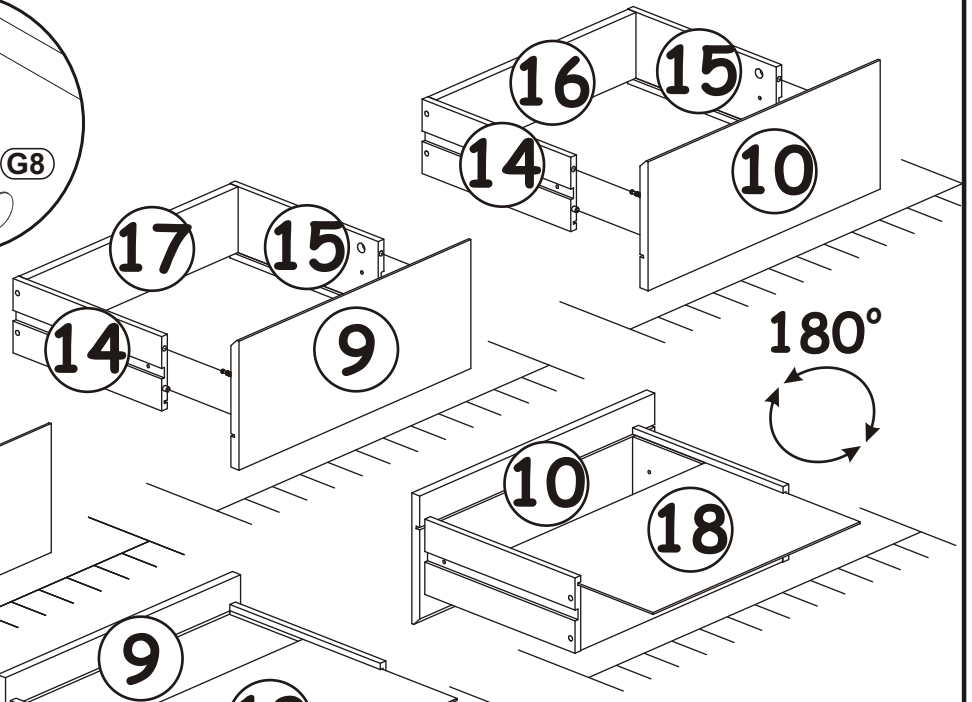
UP13	
x12	UP03x16

S1	
x3	

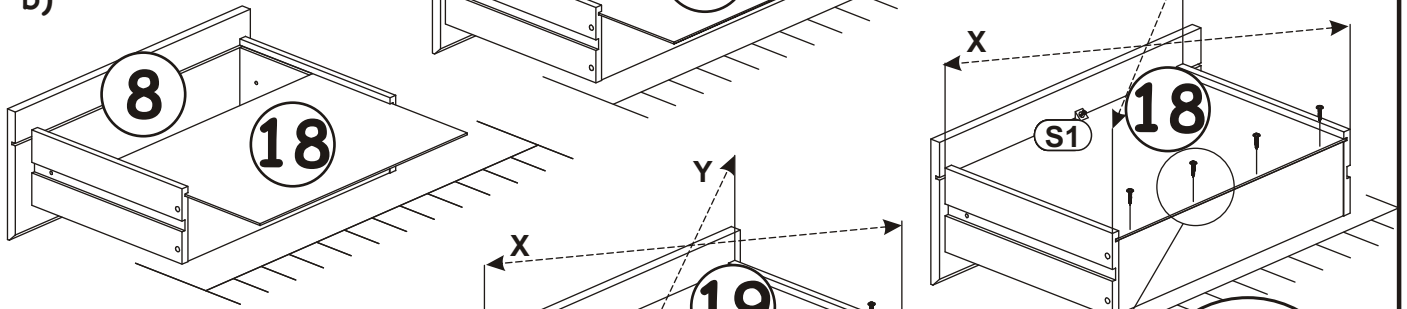
G8	
x6	Ø20



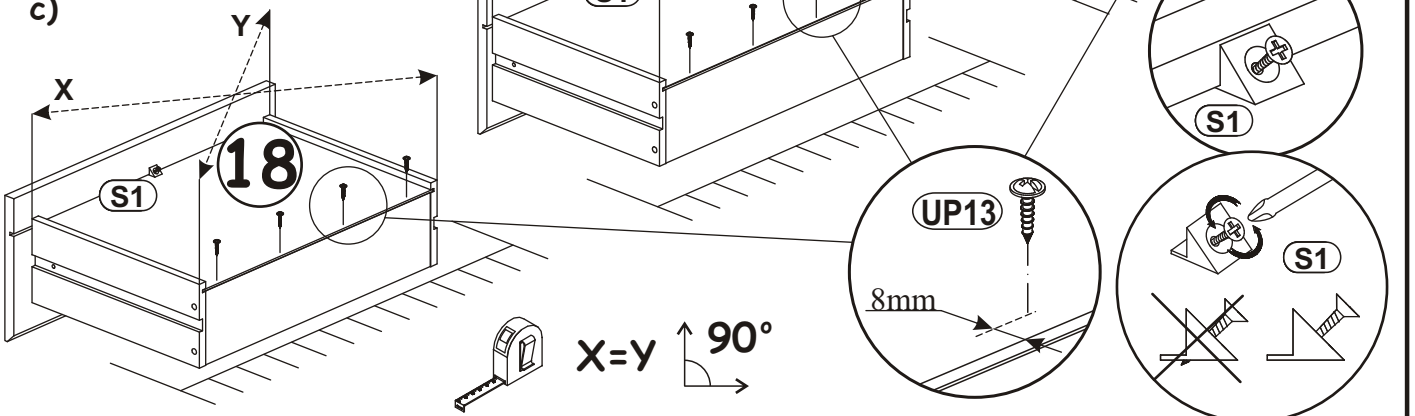
a)



b)



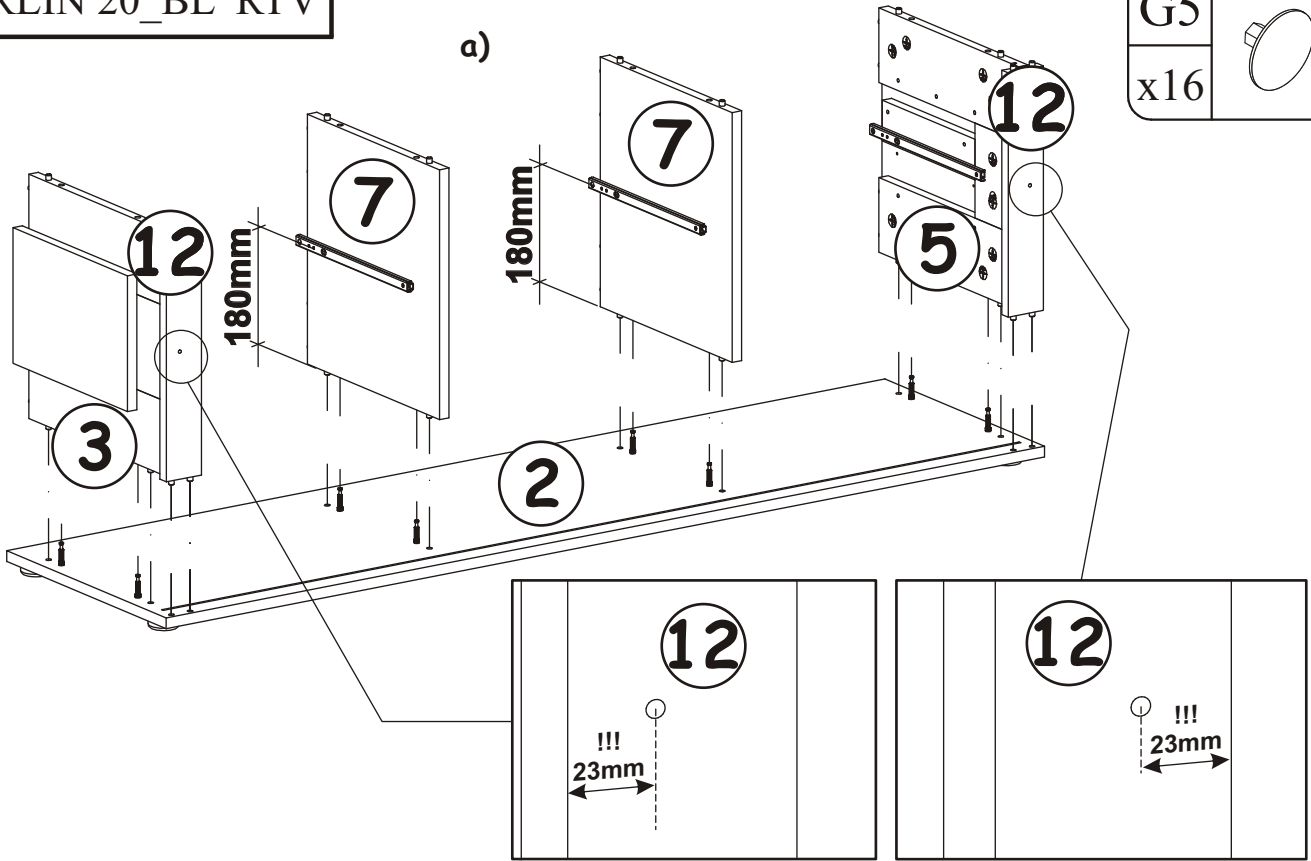
c)



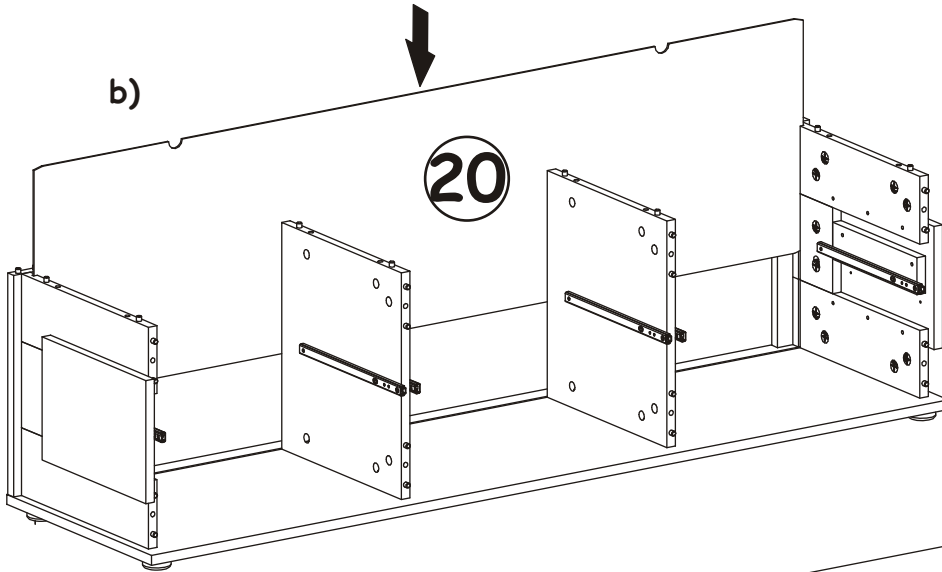


11

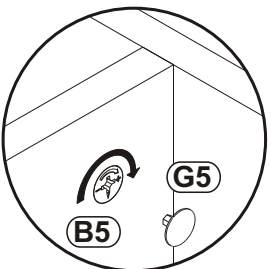
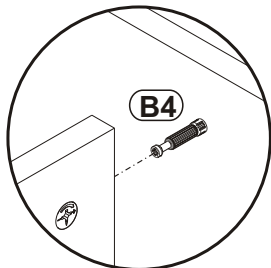
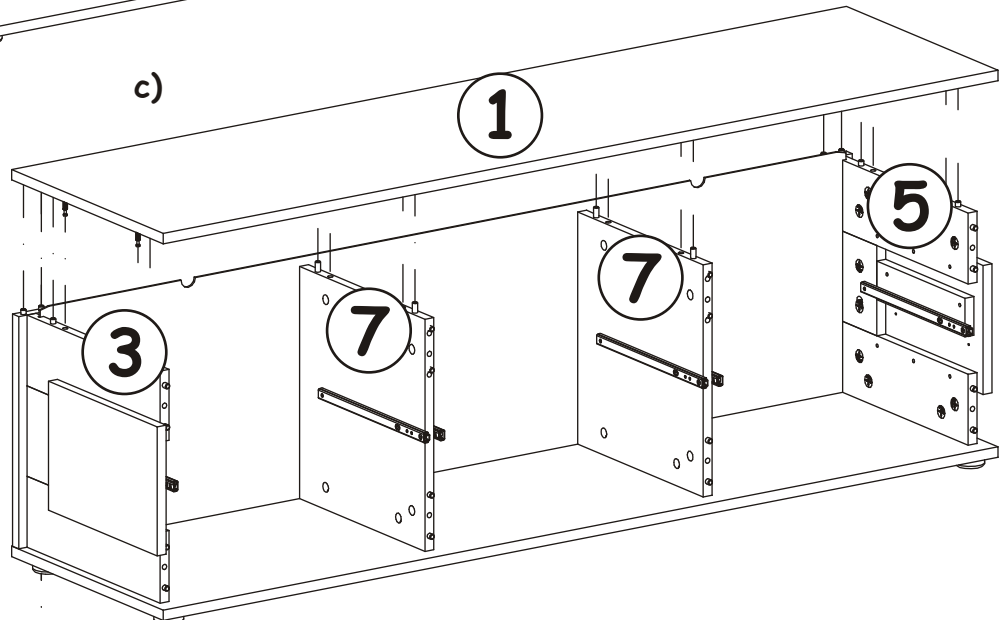
a)



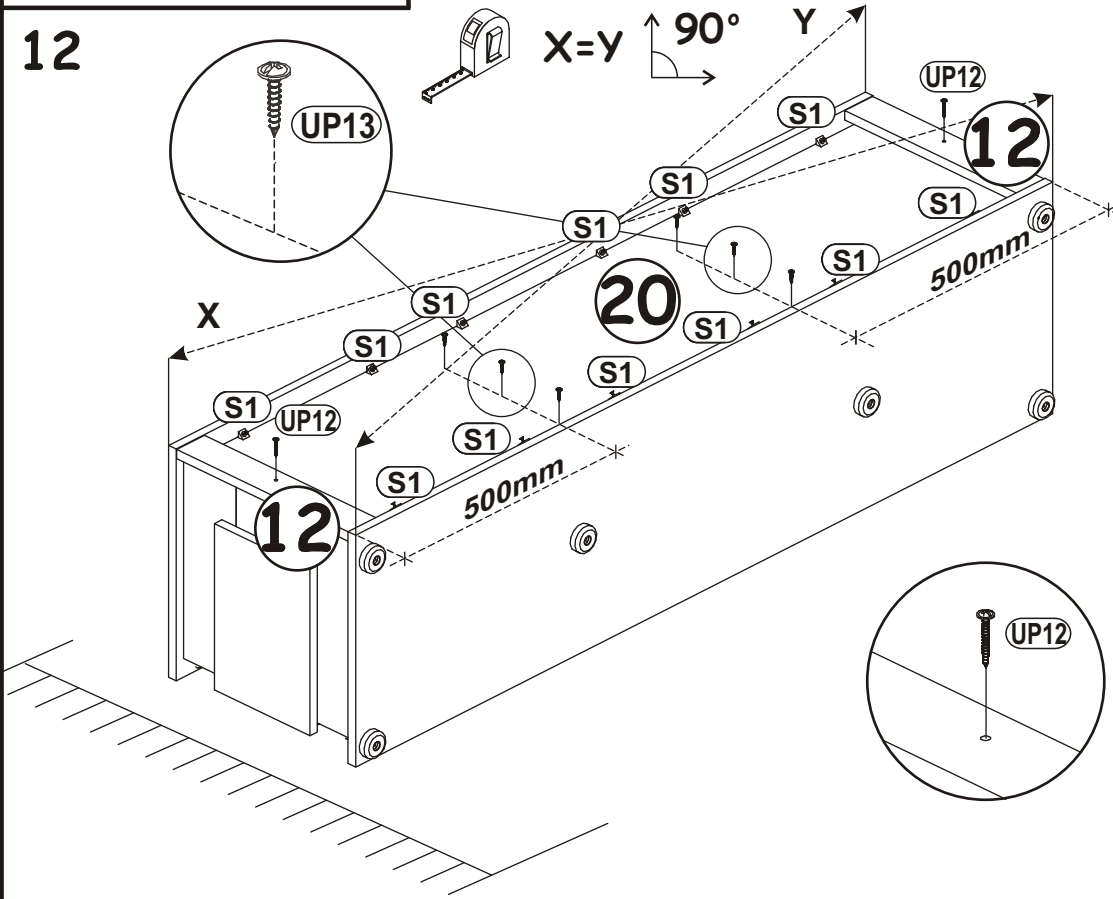
b)



c)



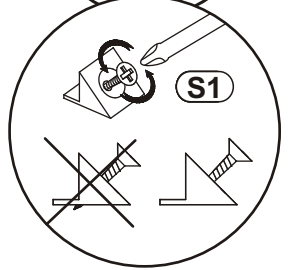
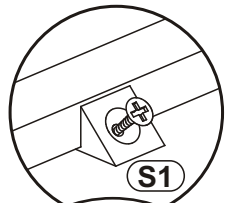
12



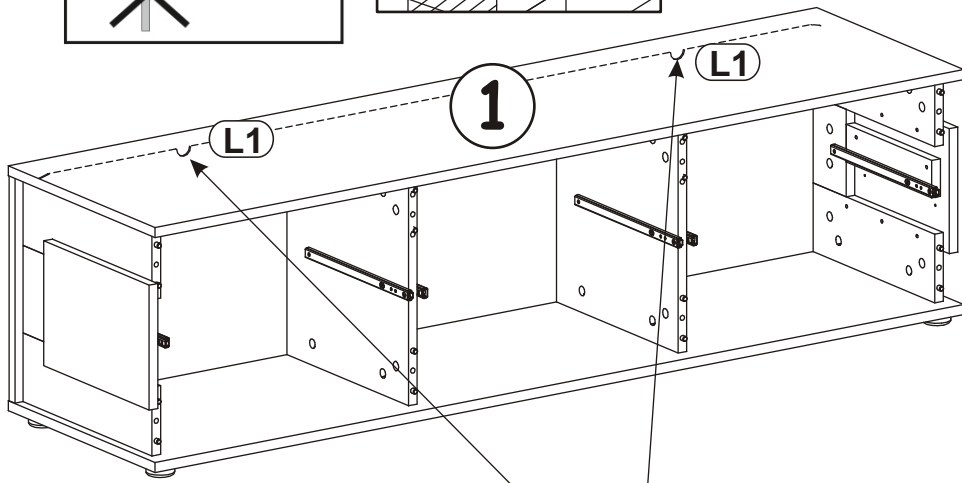
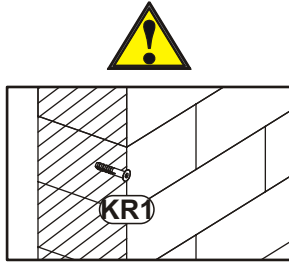
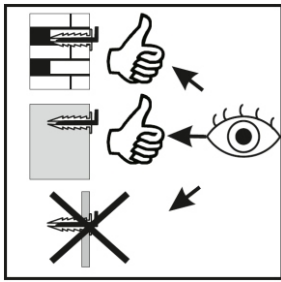
UP13	
x12	UP03x16

S1	
x12	

UP12	
x2	UP03,5x30



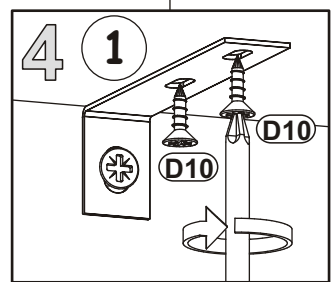
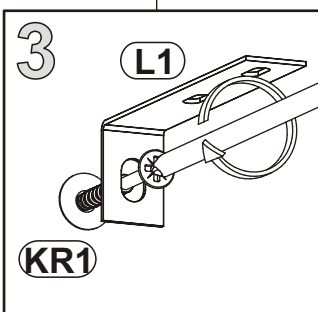
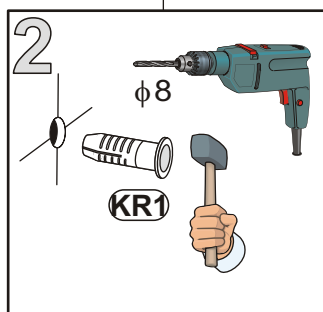
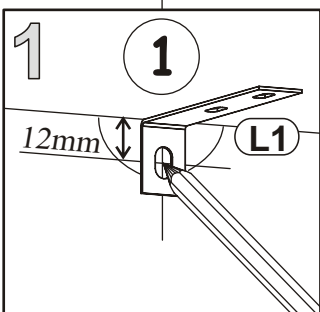
13




L1	
x2	

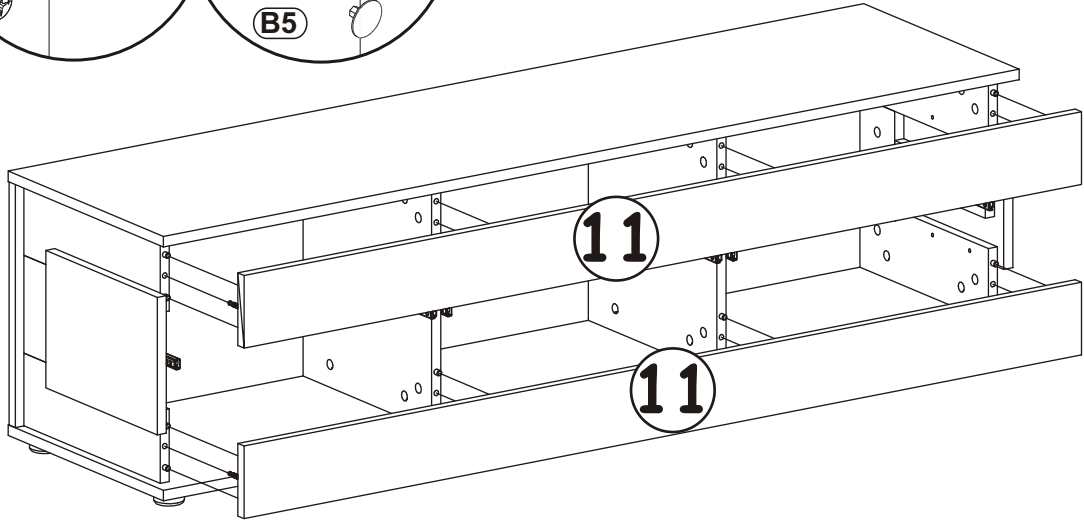
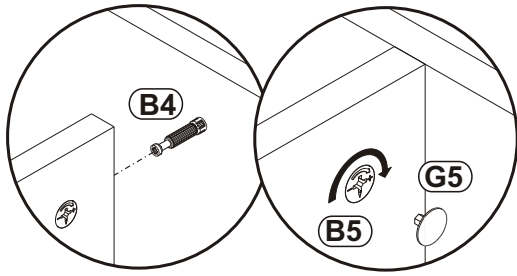
D10	
x4	US03,5x13

KR1	
x2	




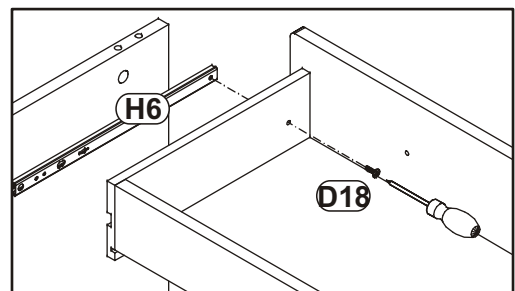
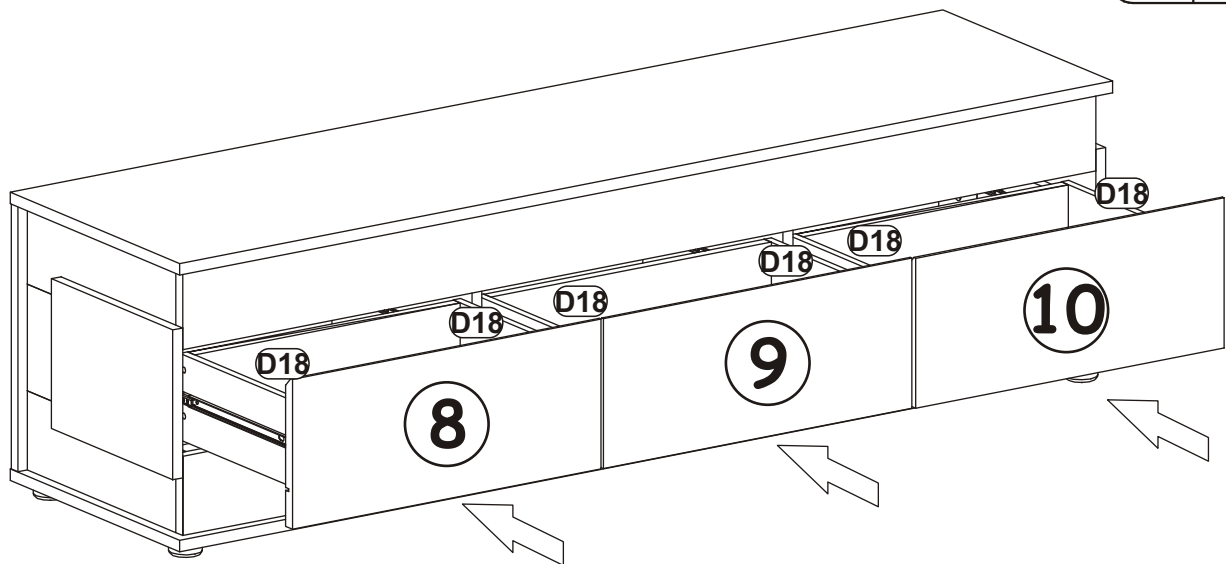
G5	
x8	

14



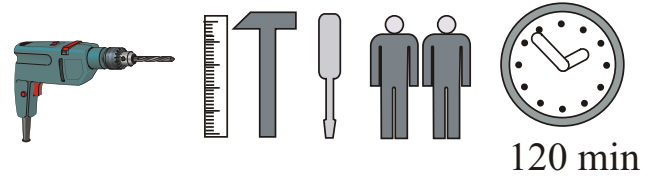
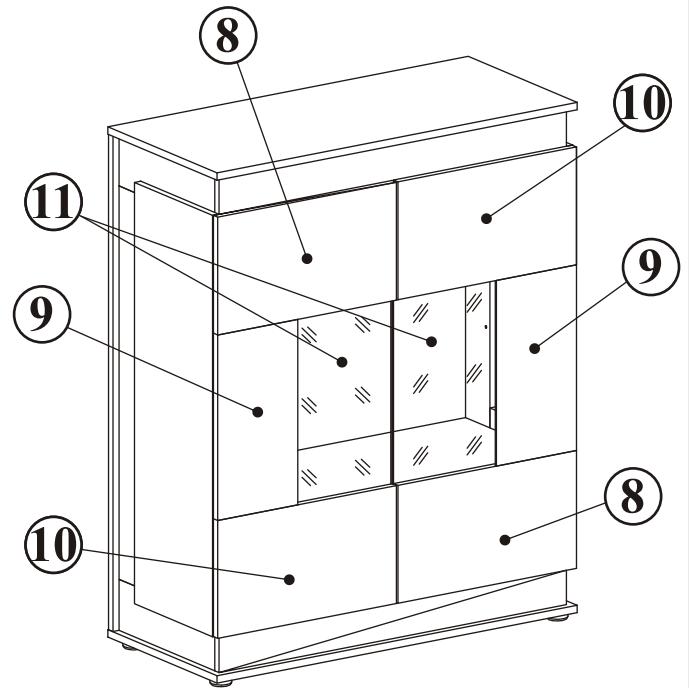
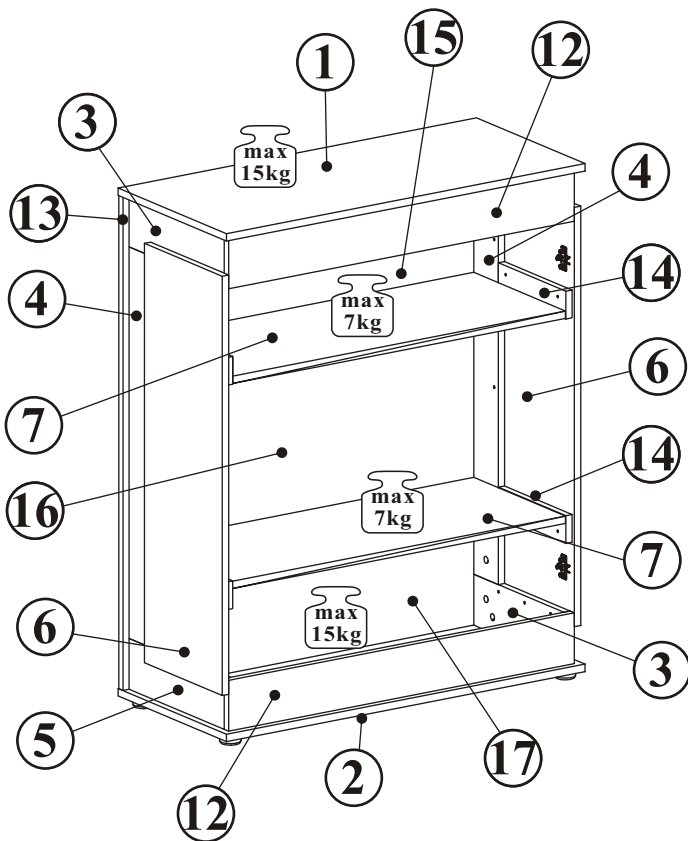
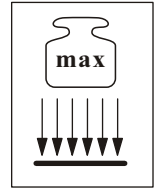
15

D18	
x6	





# BERLIN 20 \_BL WSN

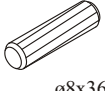
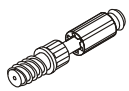
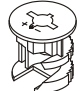

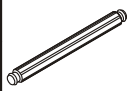

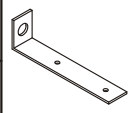


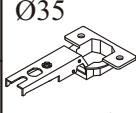
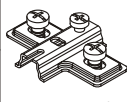
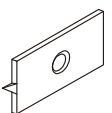


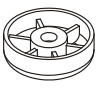
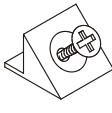


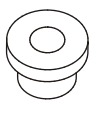



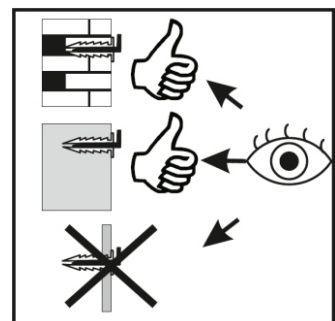
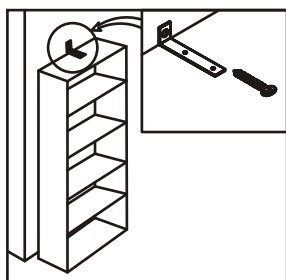
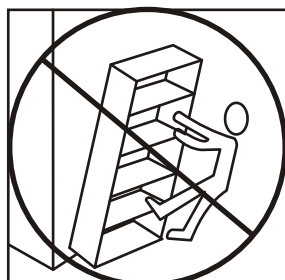
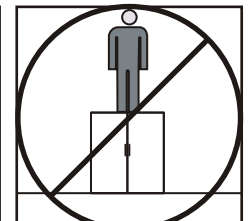
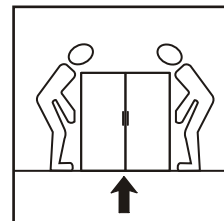
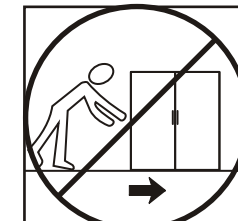
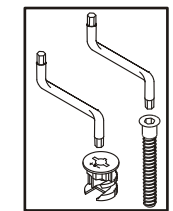
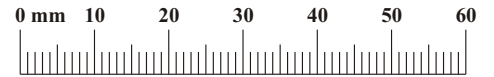
120 min

NO	Dim.			Col-No	Qty
1	900	400	16	1	1
2	900	400	16	1	1
7	836	338	16	1	2
11	450	283	4	1	2
12	868	110	16	1	2
13	1068	60	16	1	2
14	249	60	16	1	4

NO	Dim.			Col-No	Qty
3	110	351	16	2	2
4	848	110	16	2	2
5	110	351	16	2	2
6	908	287	16	2	2
8	446	254	16	2	2
9	400	200	16	2	2
10	446	254	16	2	2
15	848	318	3	2	1
16	848	444	3	2	1
17	848	318	3	2	1

# BERLIN 20\_BL WSN

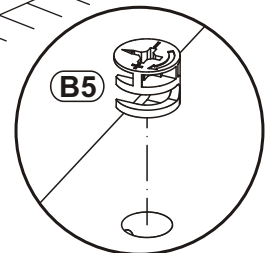
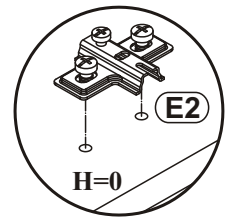
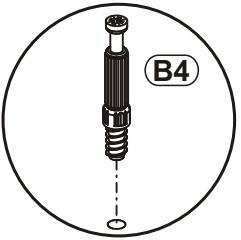
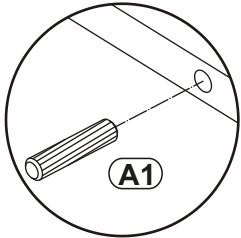
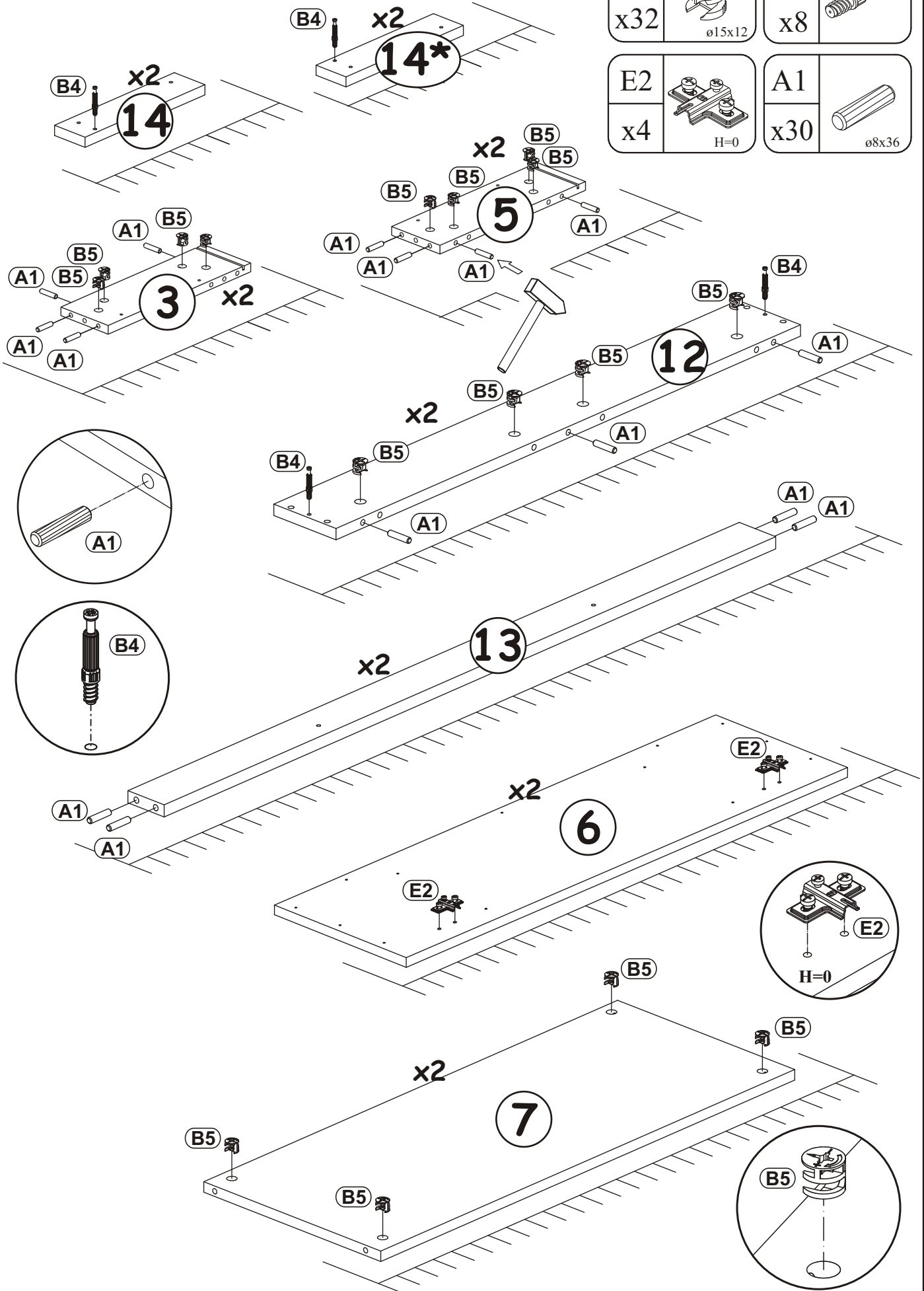
A1 x30  ø8x36	B4 x28 	B5 x52  ø15x12	G5 x52 	B6 x12  Ø7x76	A6 x16  Ø8x80
L1 x1 	KR1 x1 	UP13 x22  UPØ3x16	E21 x4  Ø35 H=0	E2 x4  H=0	G16 x12 
D10 X10  USØ3,5x13	UP11 x4  UPØ4x20	I11 x4  Ø45, h=15	S1 x6 	UP6 x26  UPØ4x30	G2 x1 
P2 x10 	UP12 x4  UPØ3,5x30				



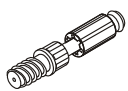
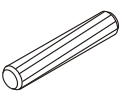

1

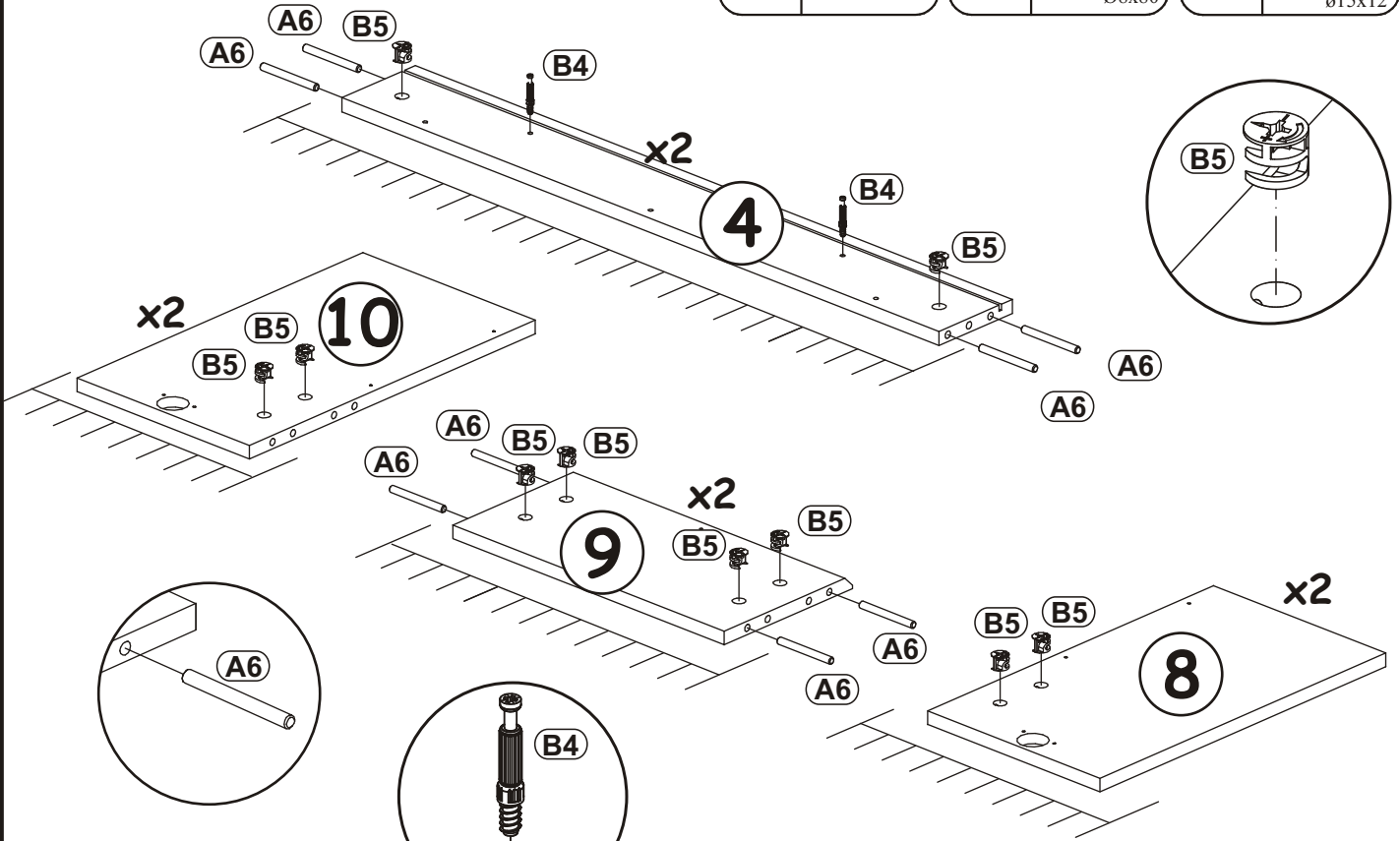
B5		B4	
x32	ø15x12	x8	

E2		A1	
x4	H=0	x30	ø8x36

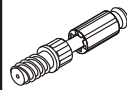
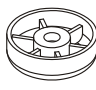
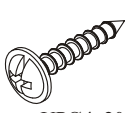


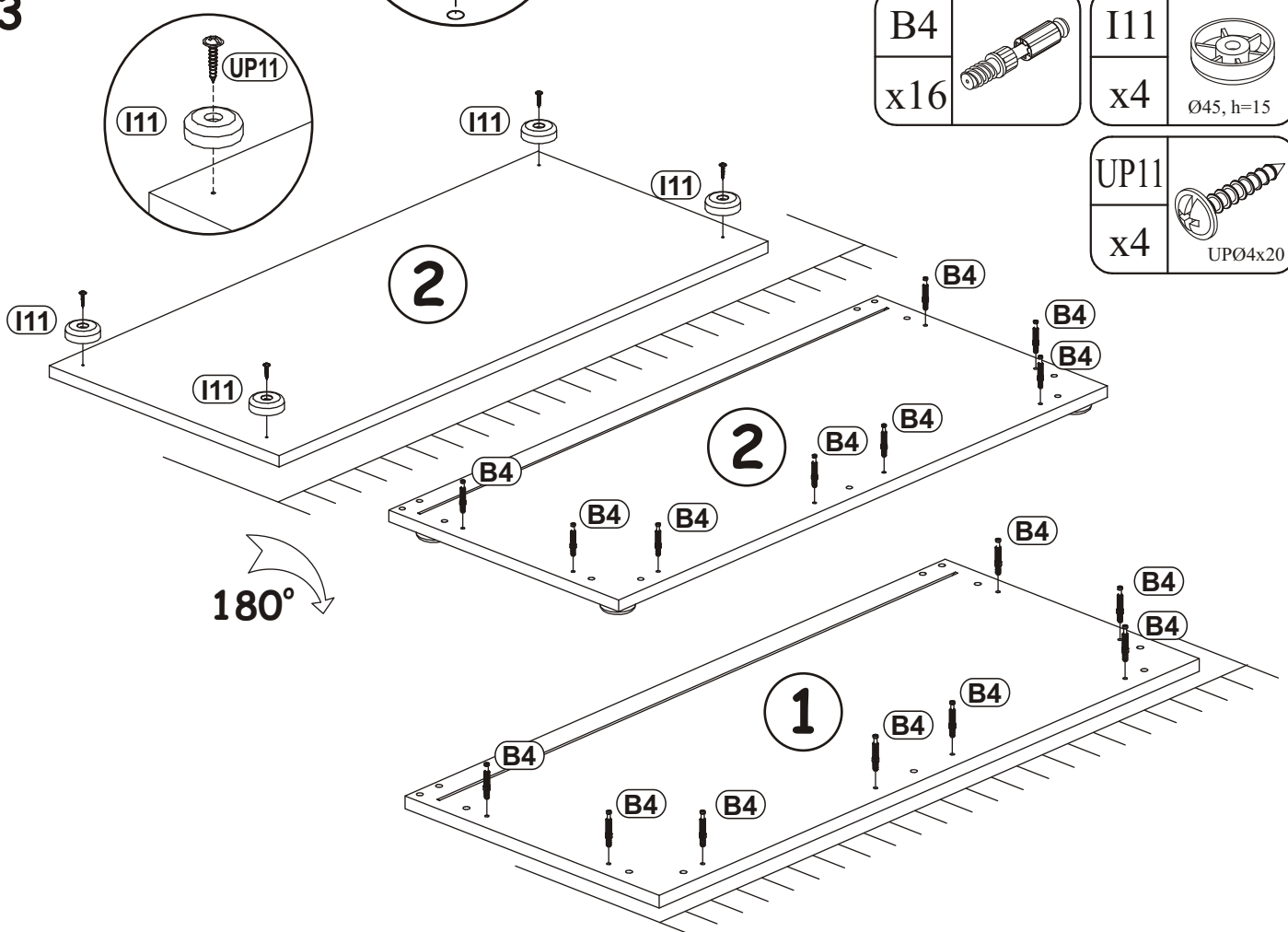
2

B4		A6		B5	
x4		x16	Ø8x80	x20	ø15x12





3

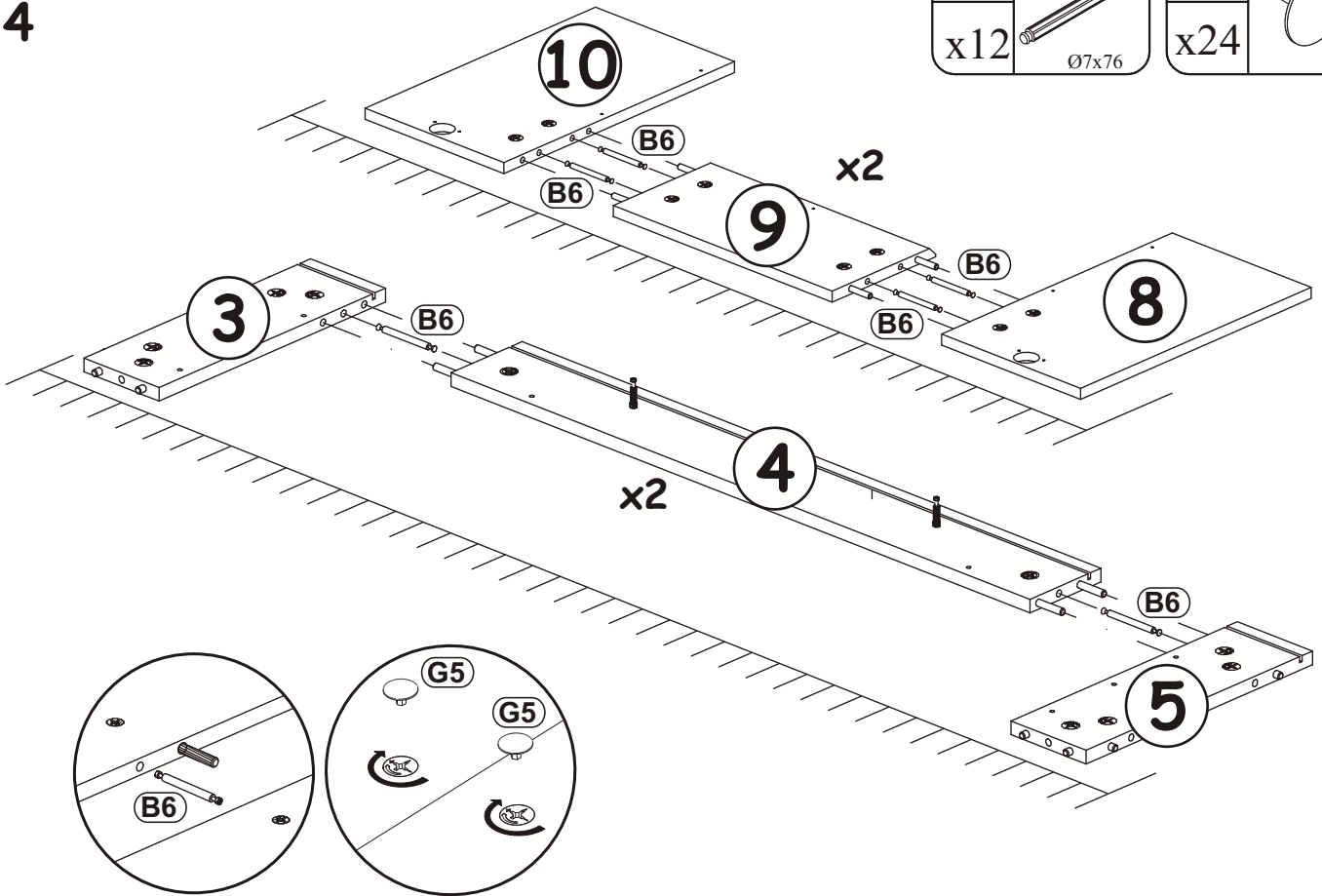
B4		I11	
x16		x4	Ø45, h=15
UP11			
x4			UPØ4x20




4


B6	
x12	Ø7x76

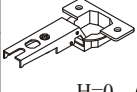
G5	
x24	

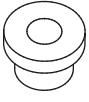


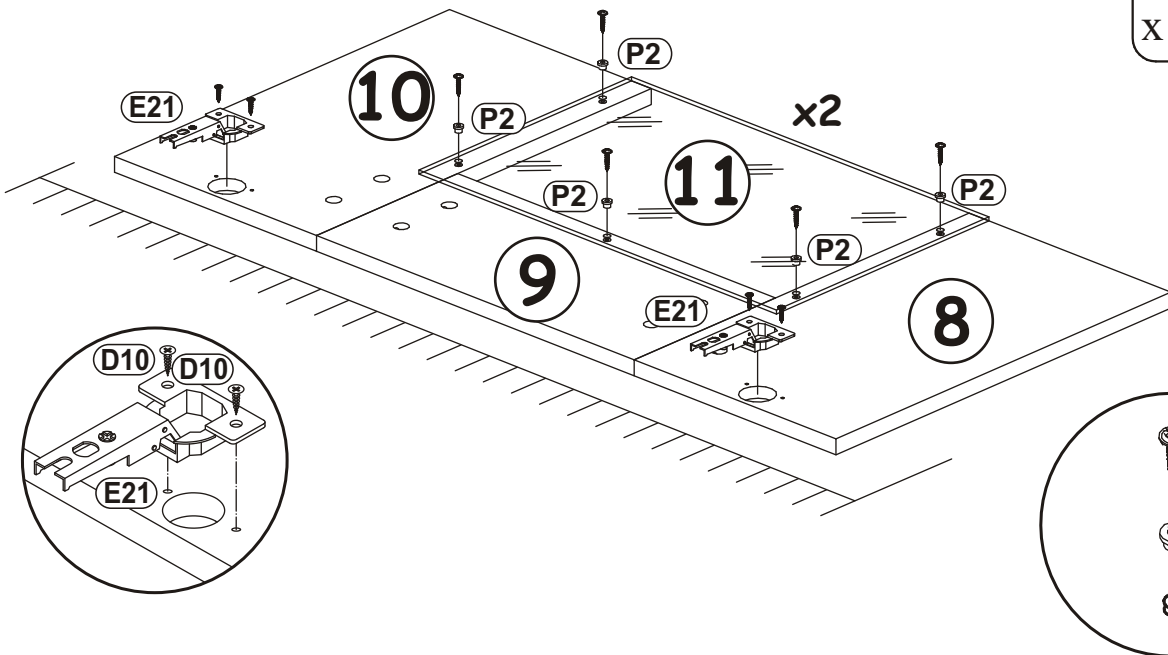
5

UP13	
x10	UPØ3x16

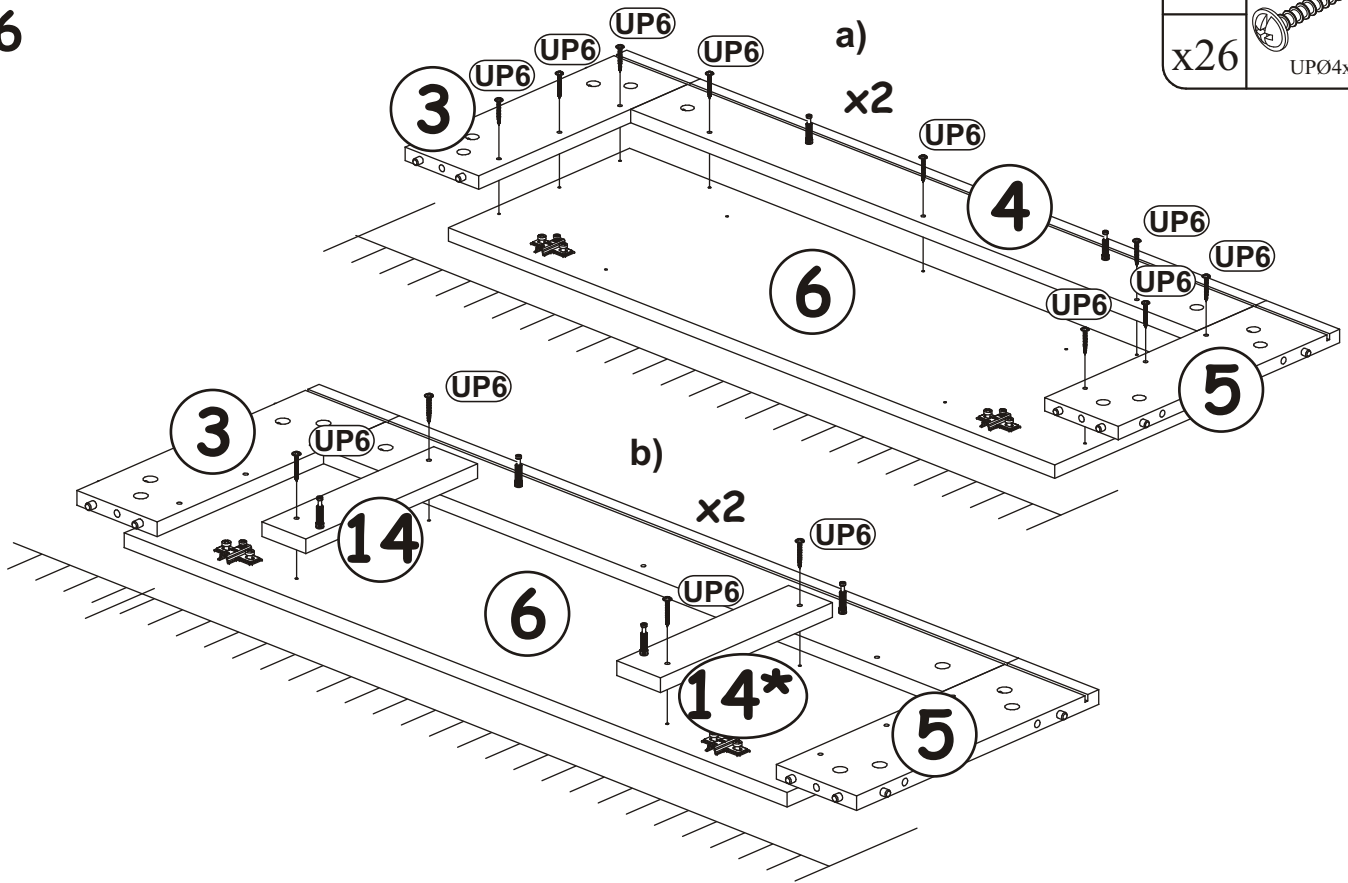
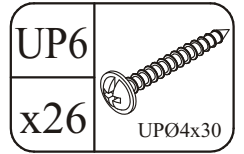
D10	
x8	USØ3,5x13

E21	
x4	Ø35 H=0

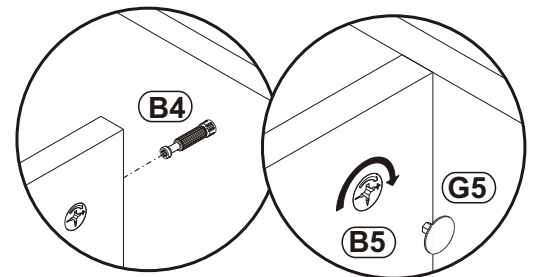
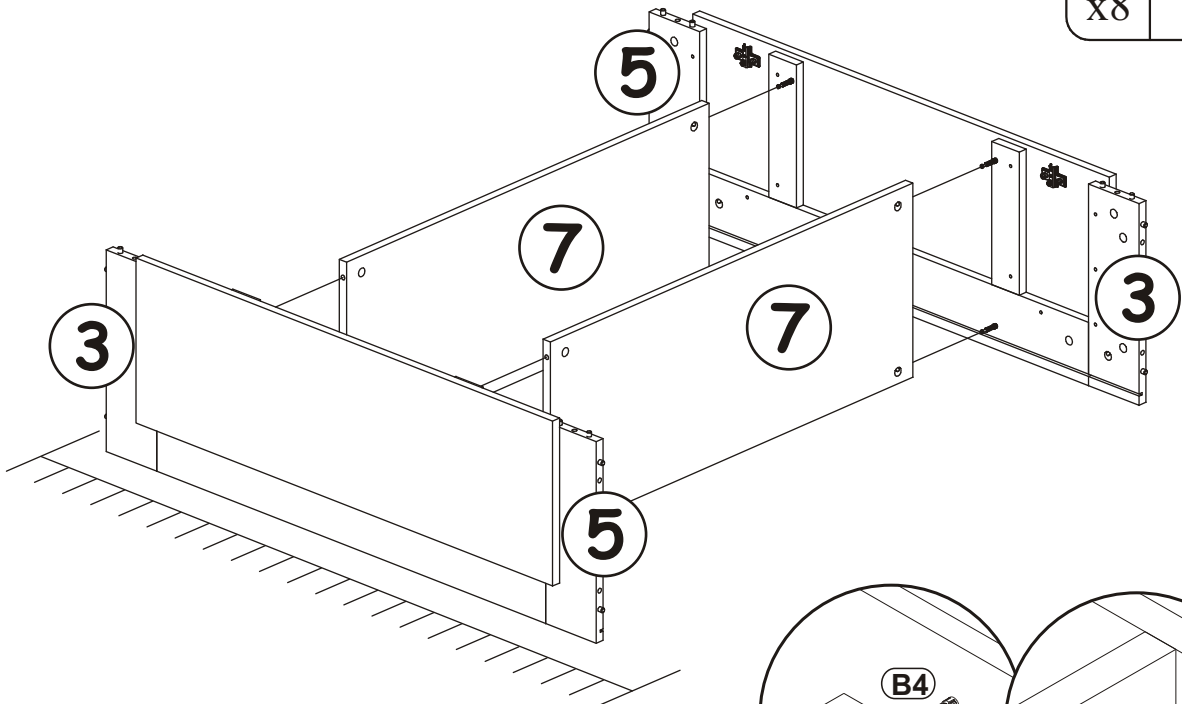
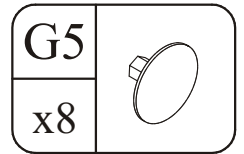
P2	
x10	




6

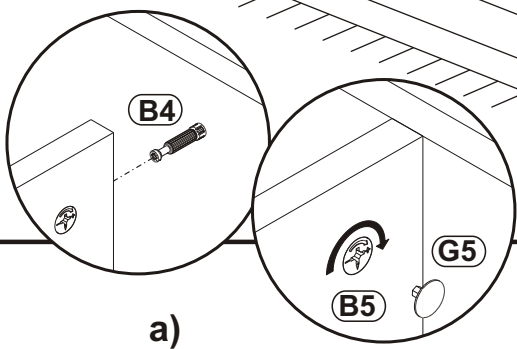
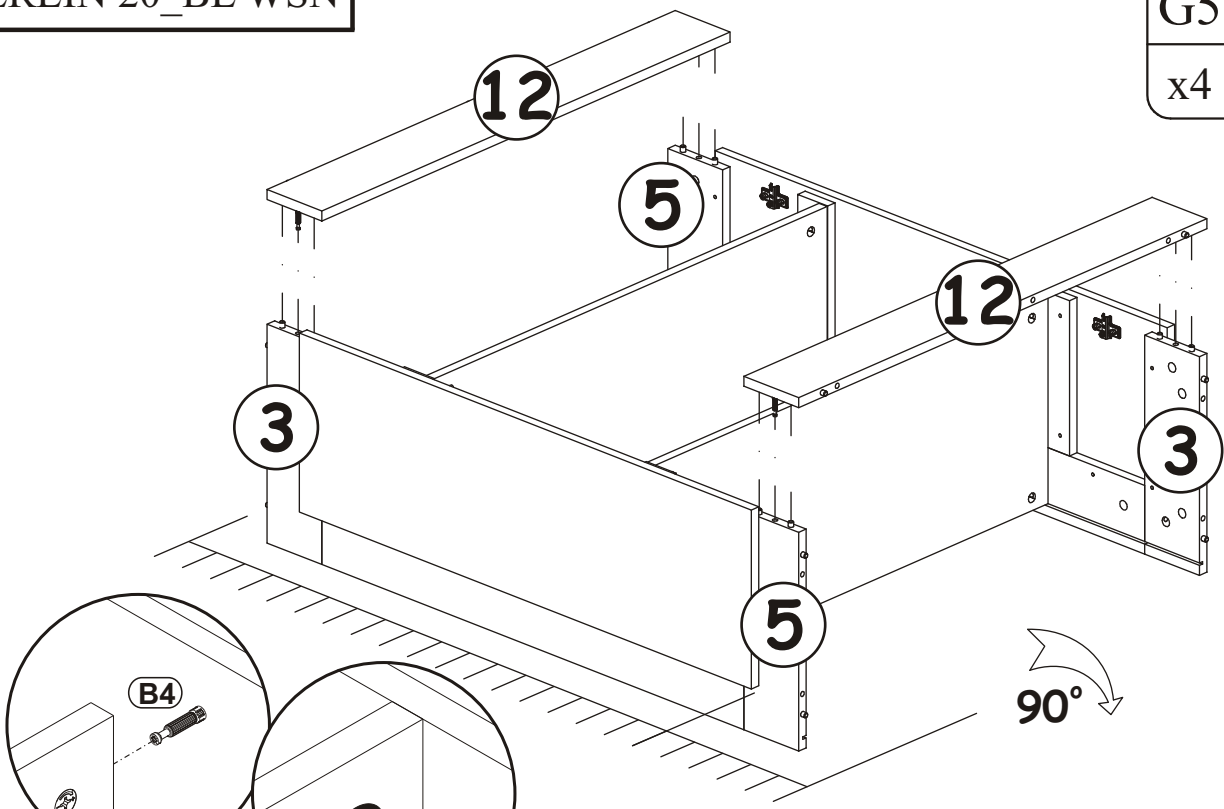


7




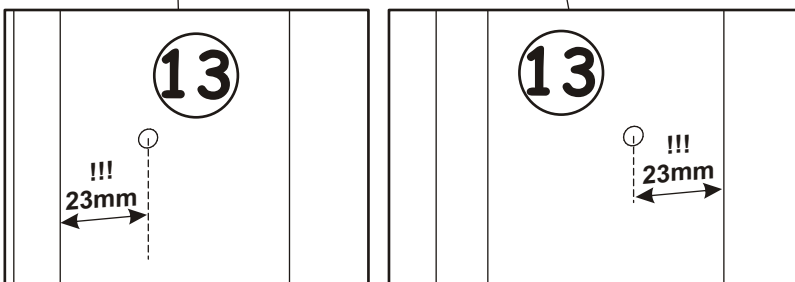
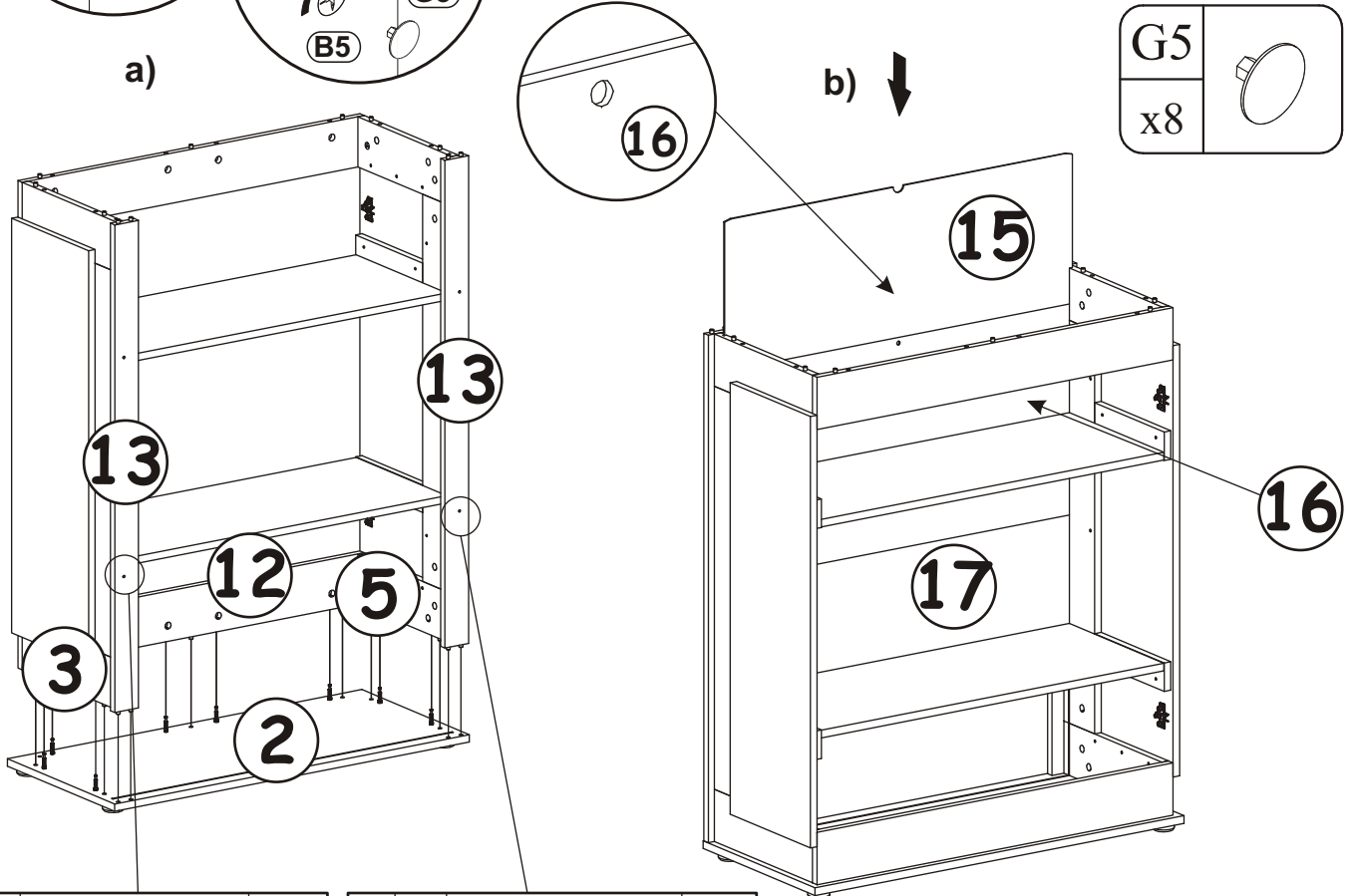
8

G5	
x4	

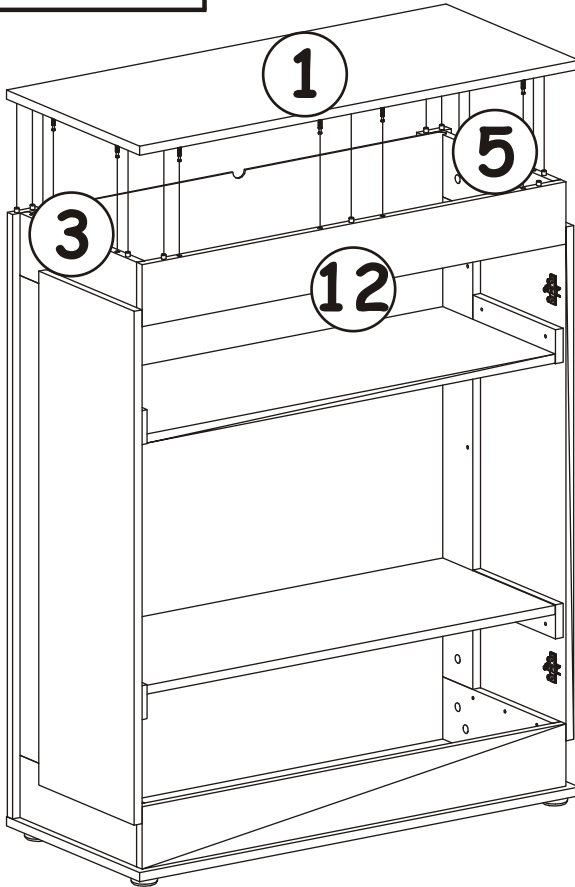


9

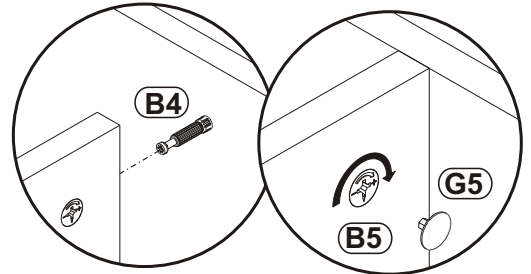
G5	
x8	



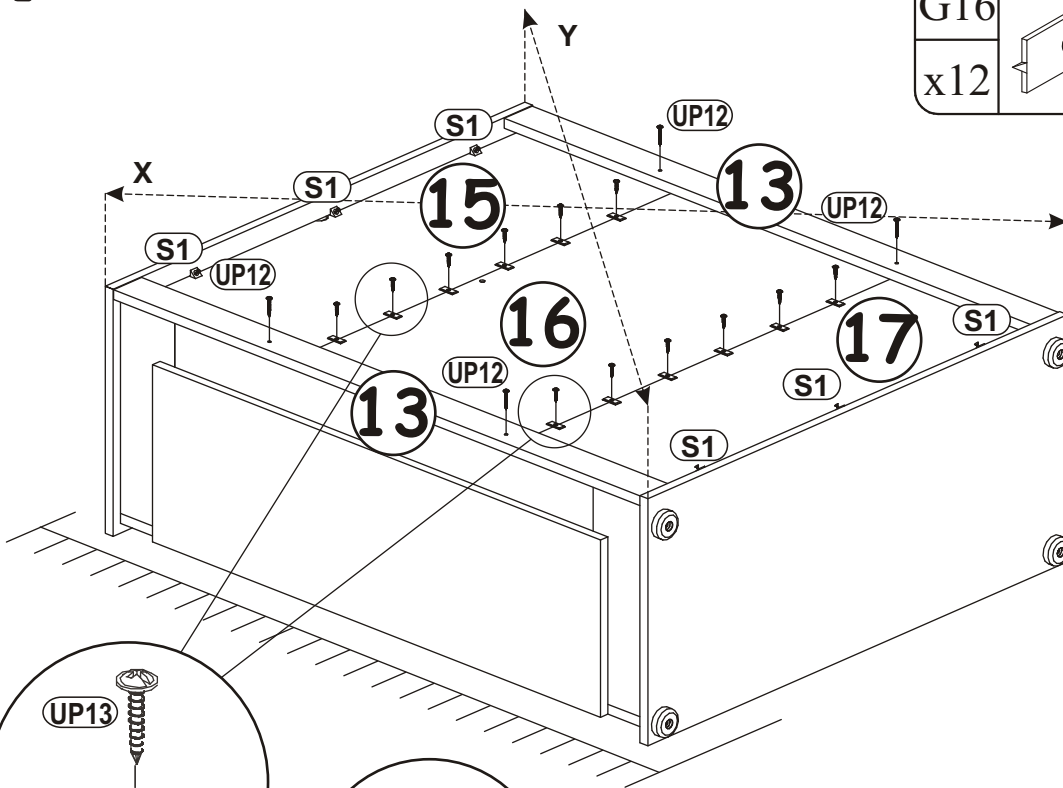
10



G5	
x8	



11

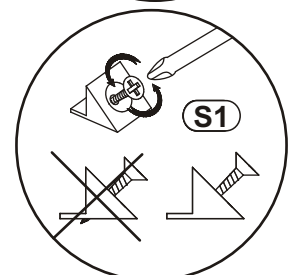
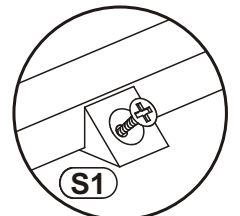
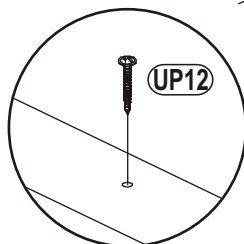
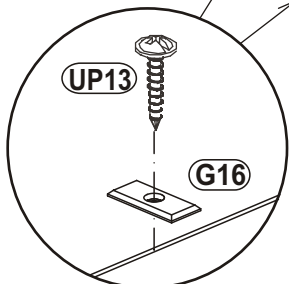


G16	
x12	

UP13	
x12	UPØ3x16

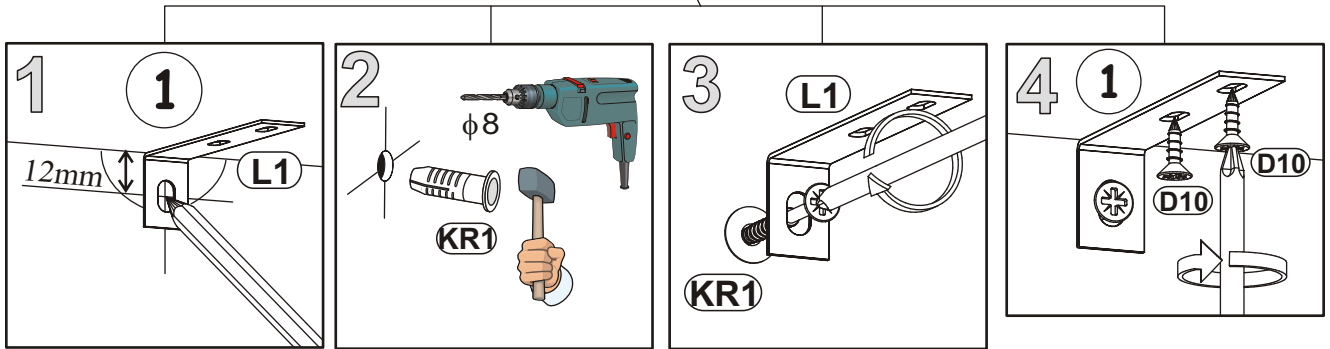
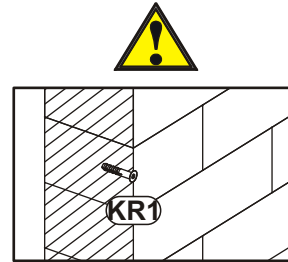
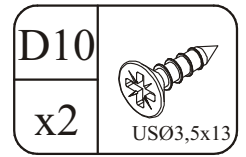
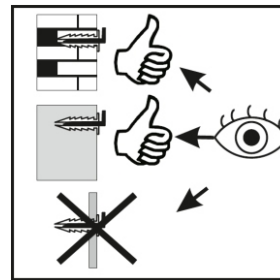
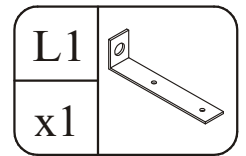
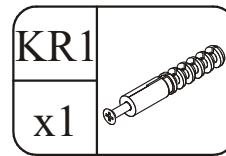
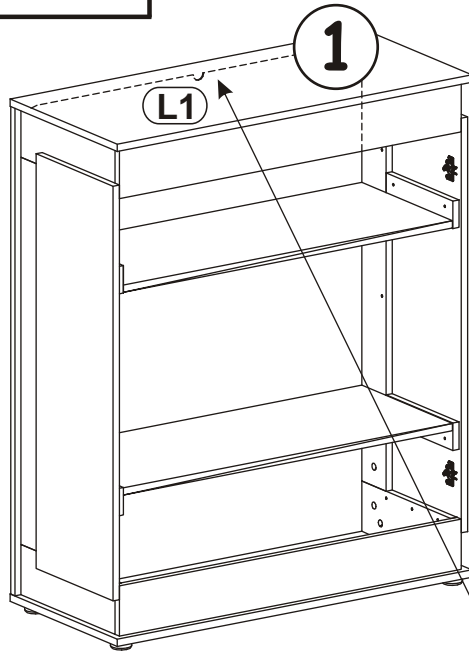
S1	
x6	

UP12	
x4	UPØ3,5x30

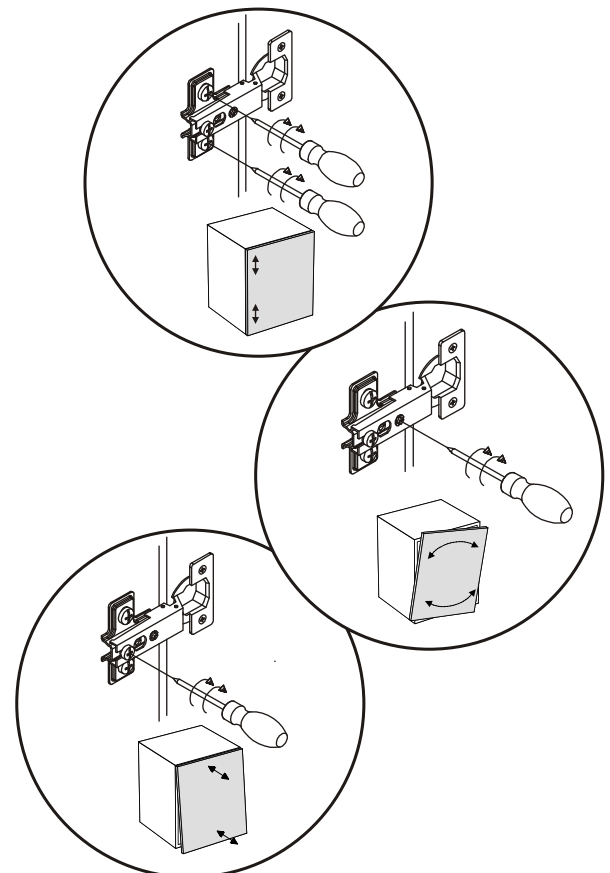
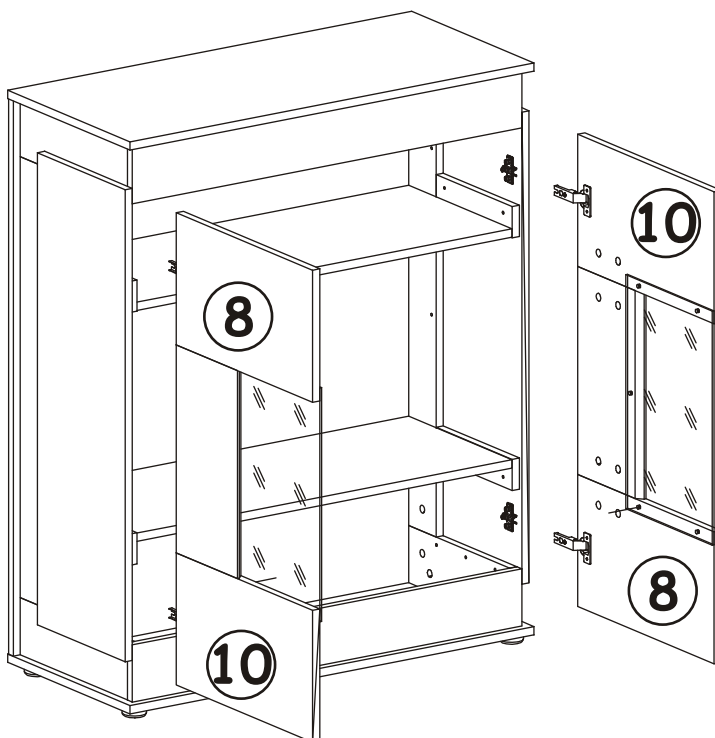




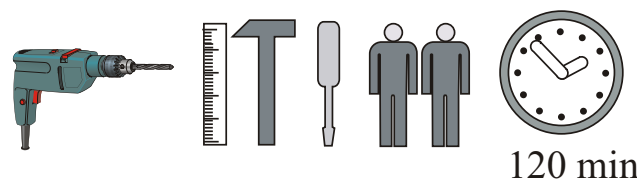
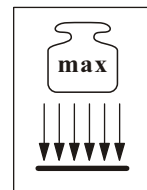
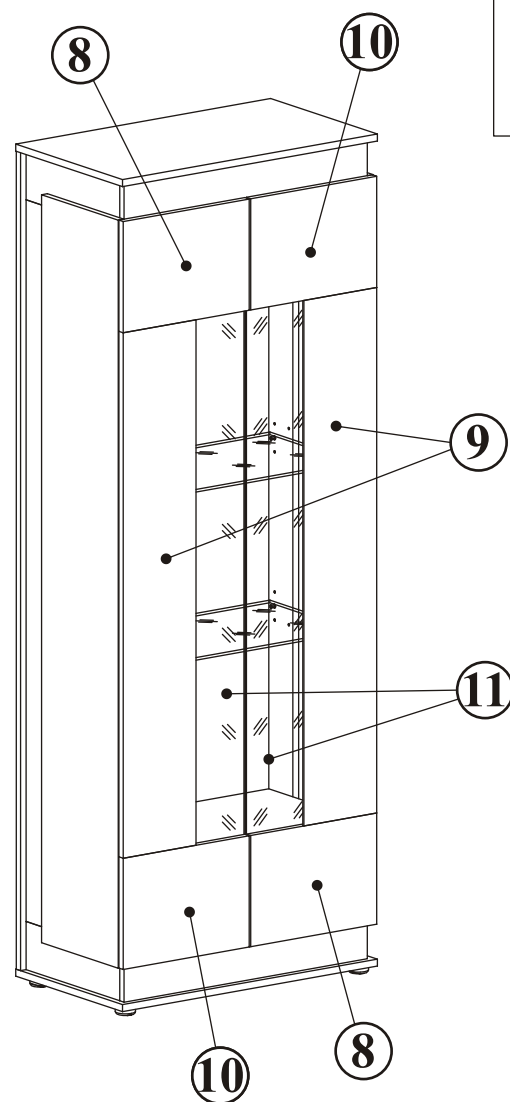
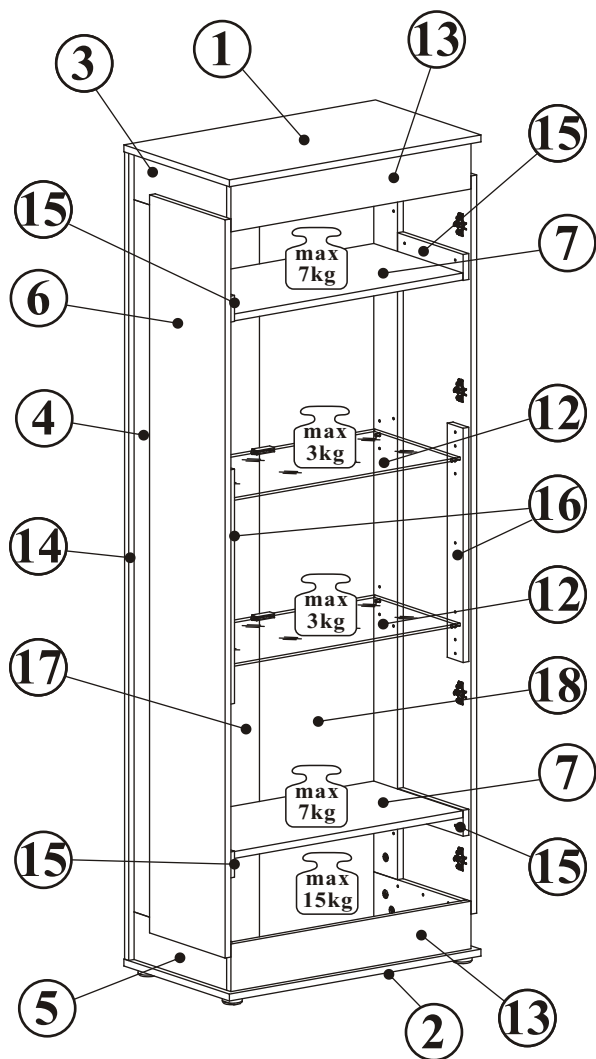
12



13



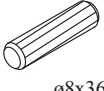
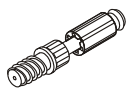
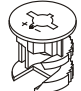

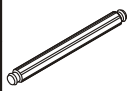
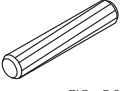
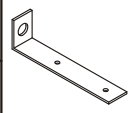


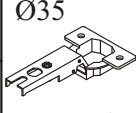
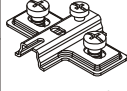
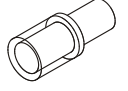

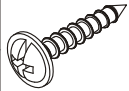
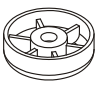
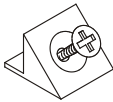
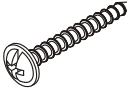

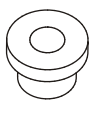


# BERLIN 20 \_BL WSW

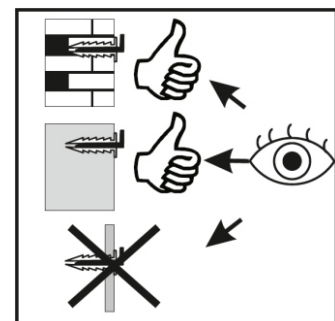
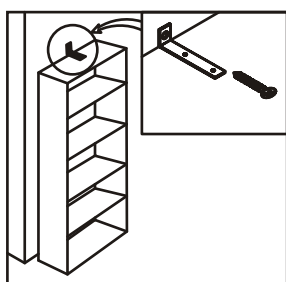
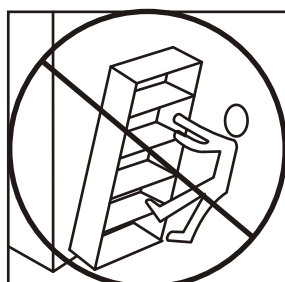
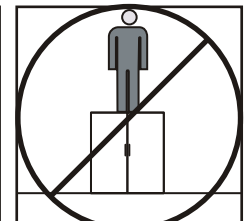
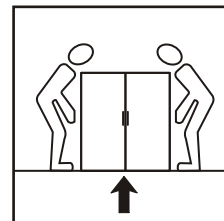
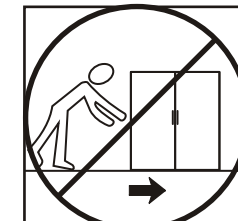
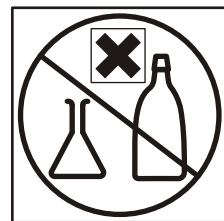
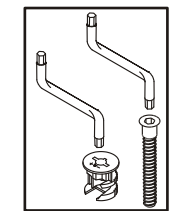
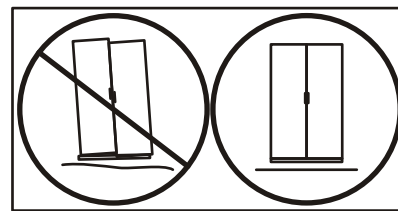
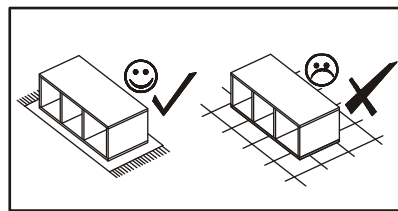
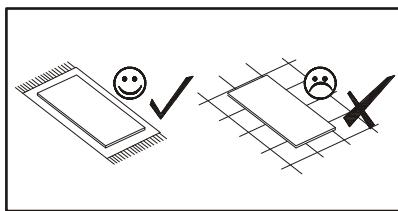
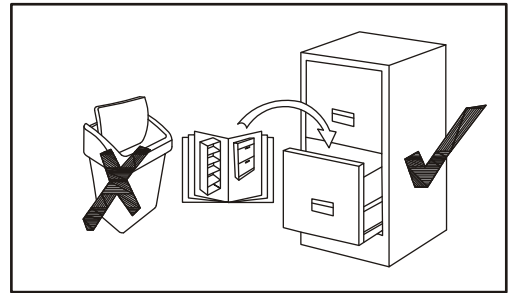
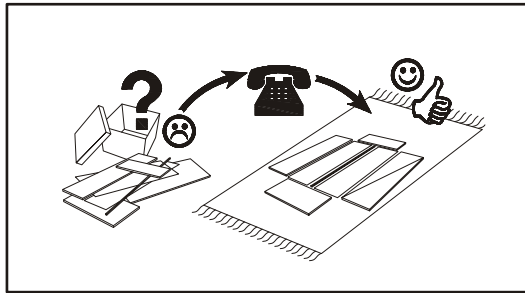
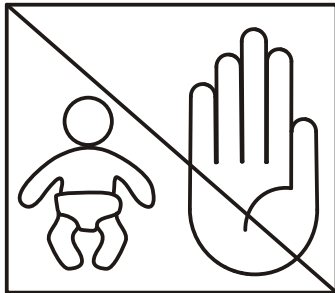
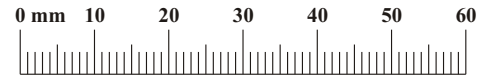


NO	Dim.			Col-No	Qty
1	700	400	16	1	1
2	700	400	16	1	1
3	110	351	16	1	2
5	110	351	16	1	2
7	636	338	16	1	2
8	346	254	16	1	2
10	346	254	16	1	2
12	635	324	6	1	2
13	668	110	16	1	2
16	542	60	16	1	2

NO	Dim.			Col-No	Qty
4	1648	110	16	2	2
6	1708	287	16	2	2
9	1200	200	16	2	2
11	1250	183	4	2	2
14	1868	60	16	2	2
17	1880	324	3	2	1
18	1880	324	3	2	1
15	249	60	16	2	4

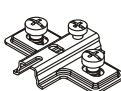
# BERLIN 20\_BL WSW


A1 x30  ø8x36	B4 x28 	B5 x52  ø15x12	G5 x52 	B6 x12  Ø7x76	A6 x16  Ø8x80
L1 x1 	KR1 x1 	UP13 x24  UPØ3x16	E21 x8  Ø35 H=0	E2 x8  H=0	G20 x8 
D10 x18  USØ3,5x13	UP11 x4  UPØ4x20	I11 x4  Ø45, h=15	S1 x8 	UP6 x34  UPØ4x30	G2 x1 
P2 x14 	LED x1  x2	UP12 x8  UPØ3,5x30			

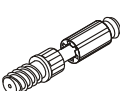


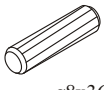
BERLIN 20\_BL WSW

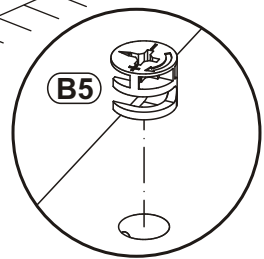
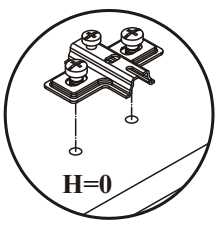
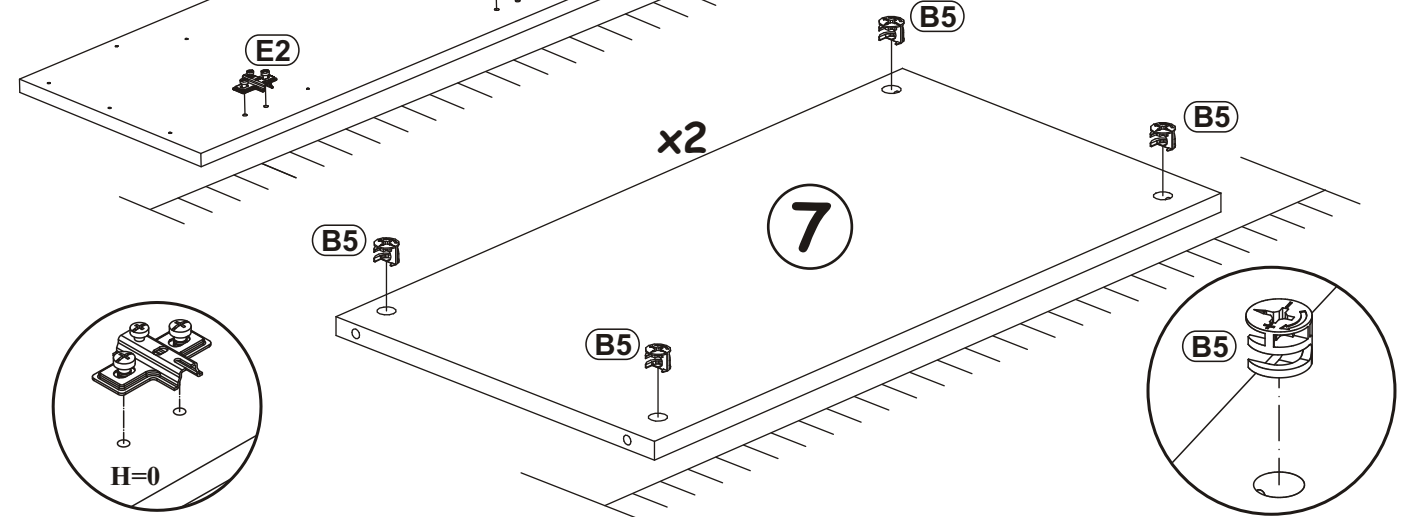
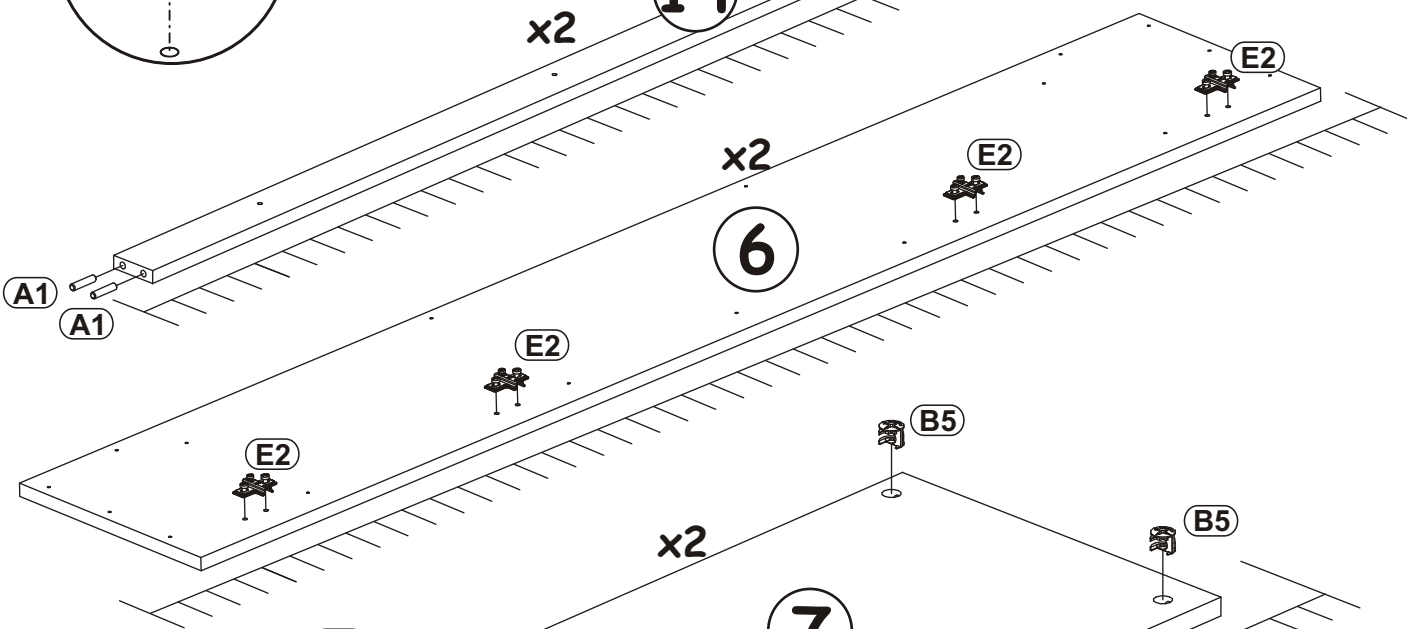
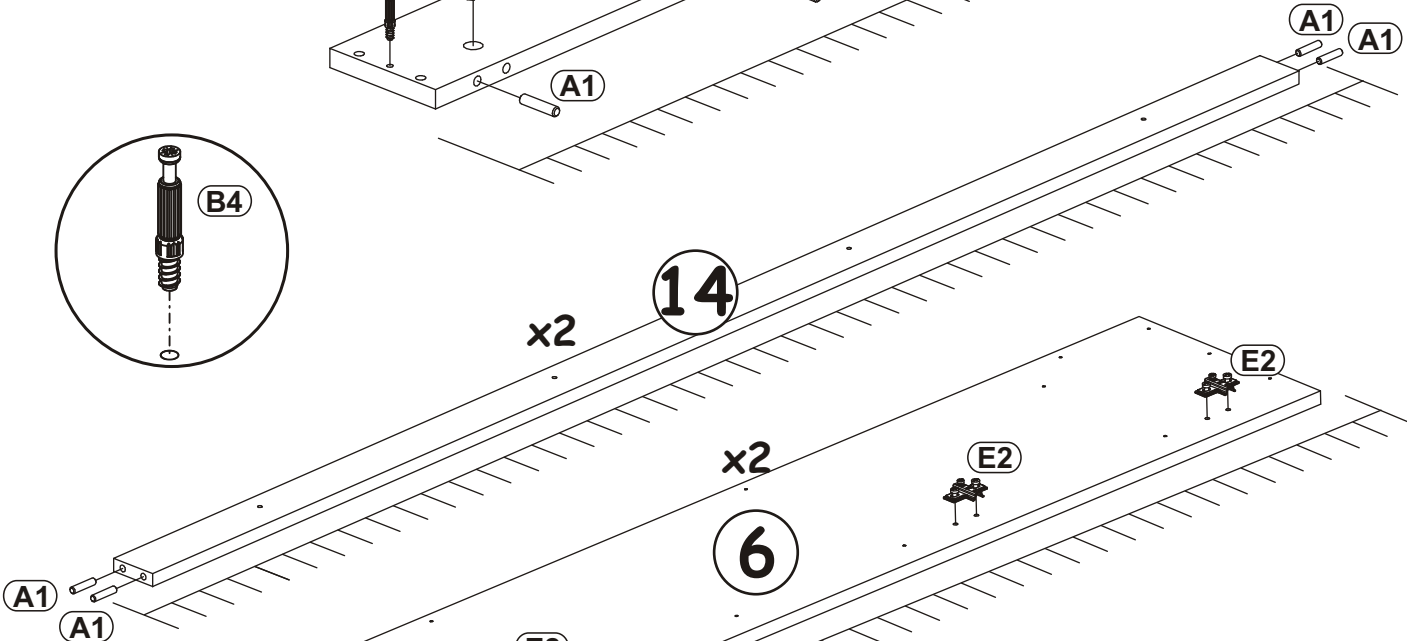
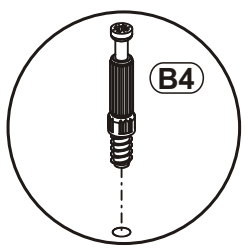
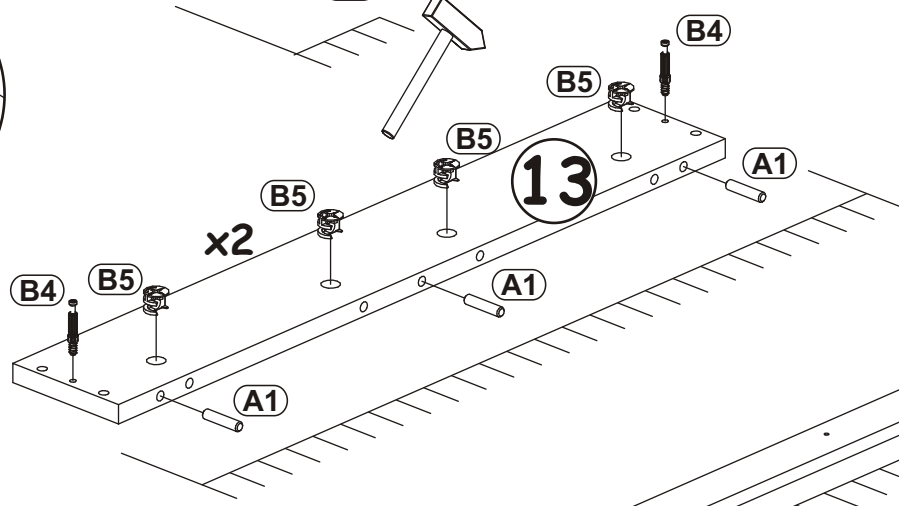
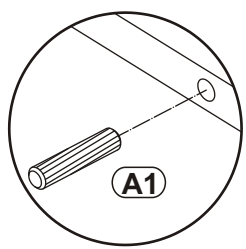
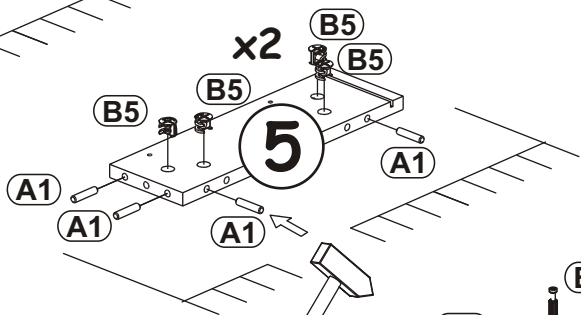
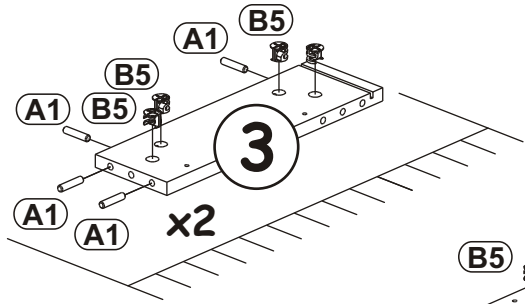
1

E2	
x8	H=0

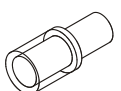
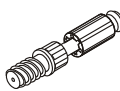
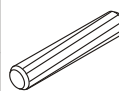
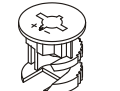
B5	
x32	ø15x12

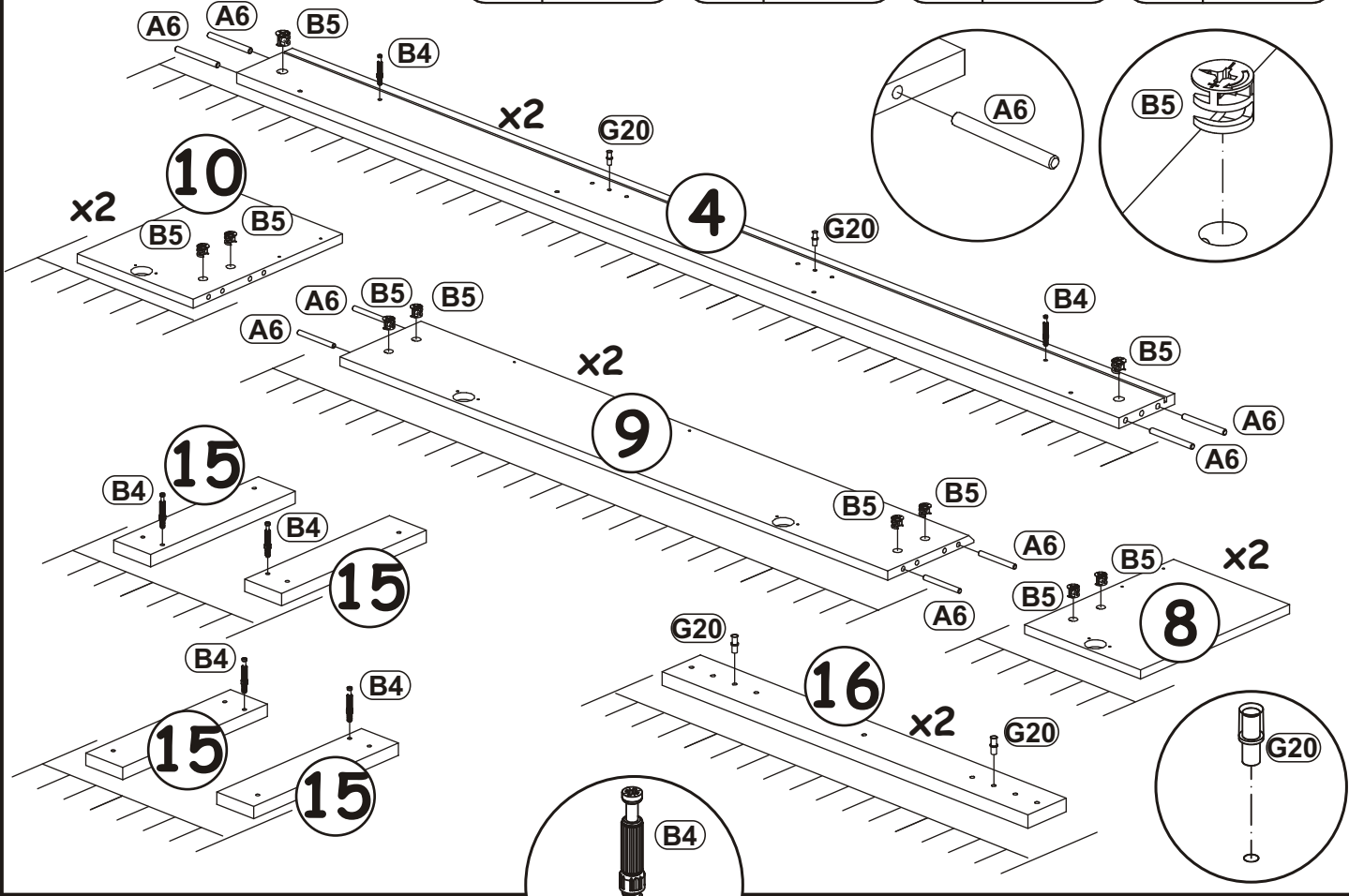
B4	
x4	

A1	
x30	ø8x36

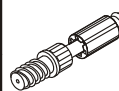
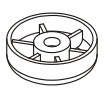
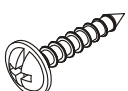


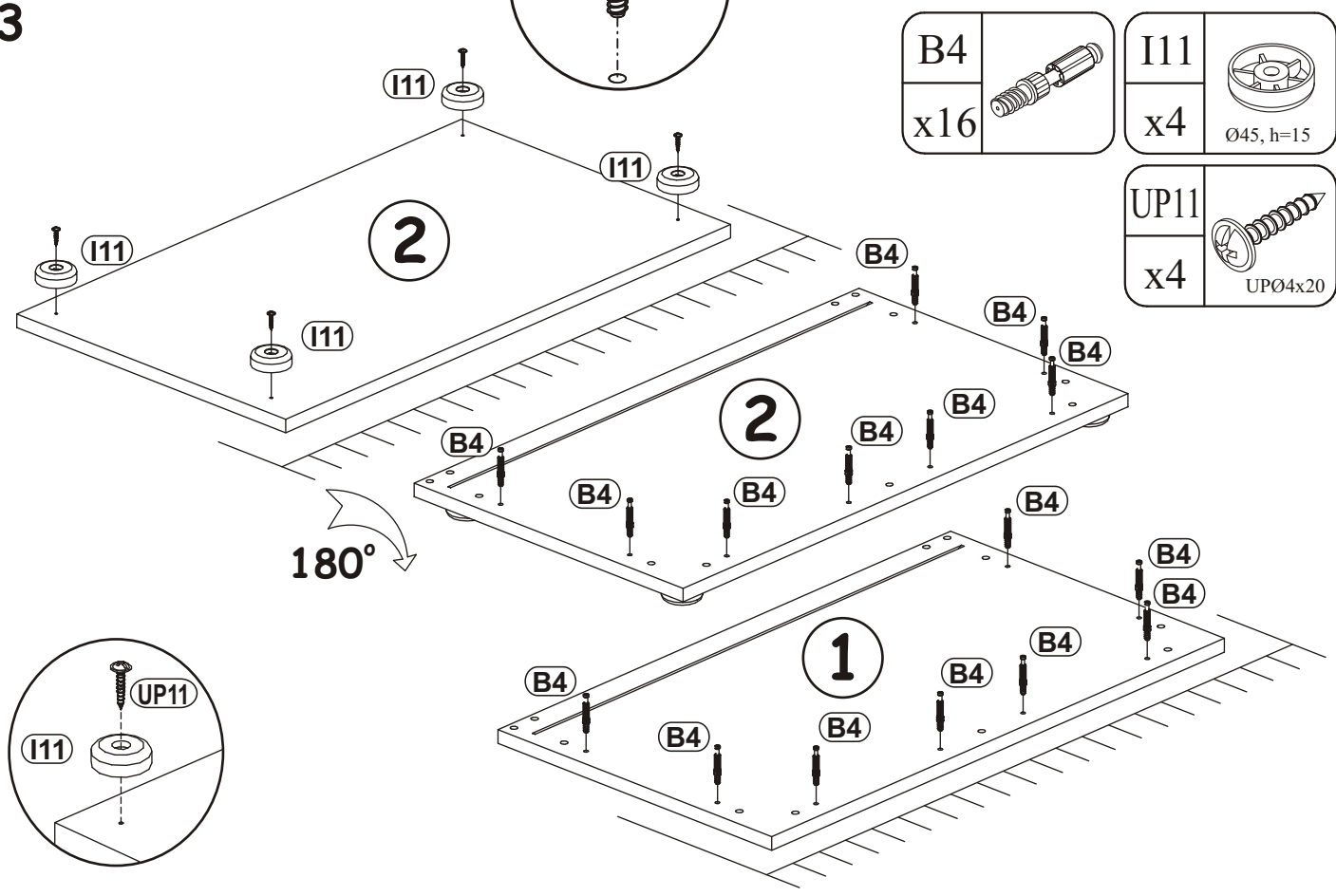
2

G20		B4		A6		B5	
x8		x8		x16	Ø8x80	x20	ø15x12





3

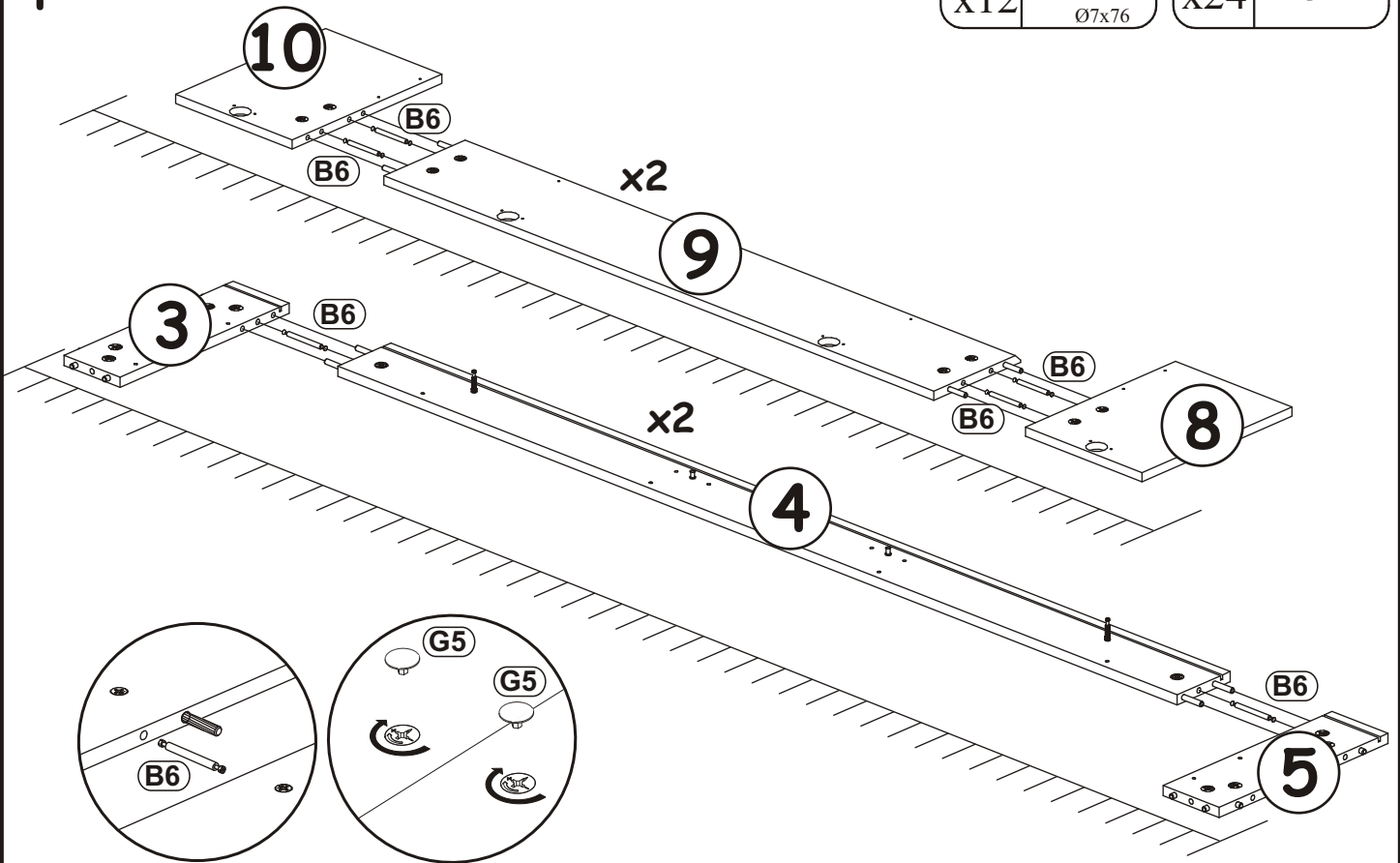
B4		I11	
x16		x4	Ø45, h=15
UP11			
x4			UPØ4x20




4


B6	
x12	Ø7x76

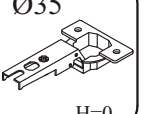
G5	
x24	




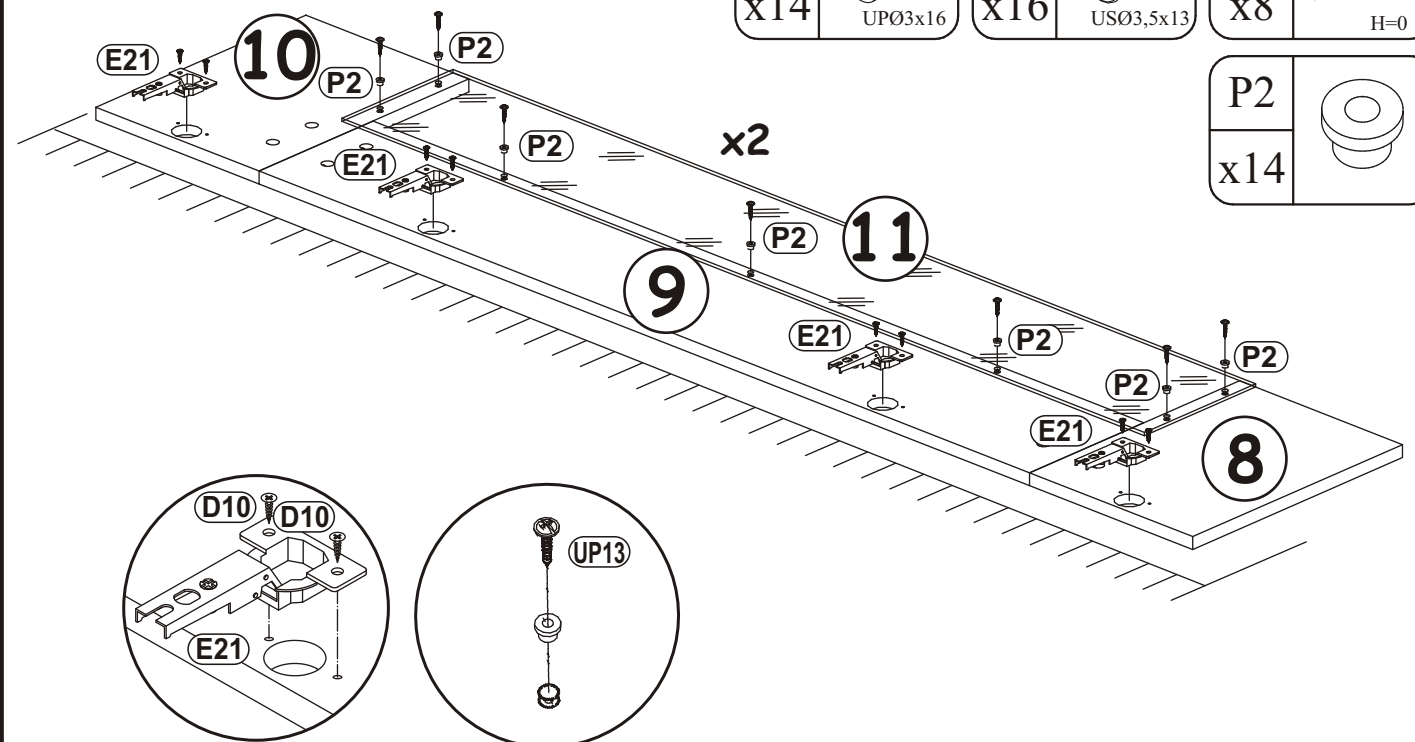
5

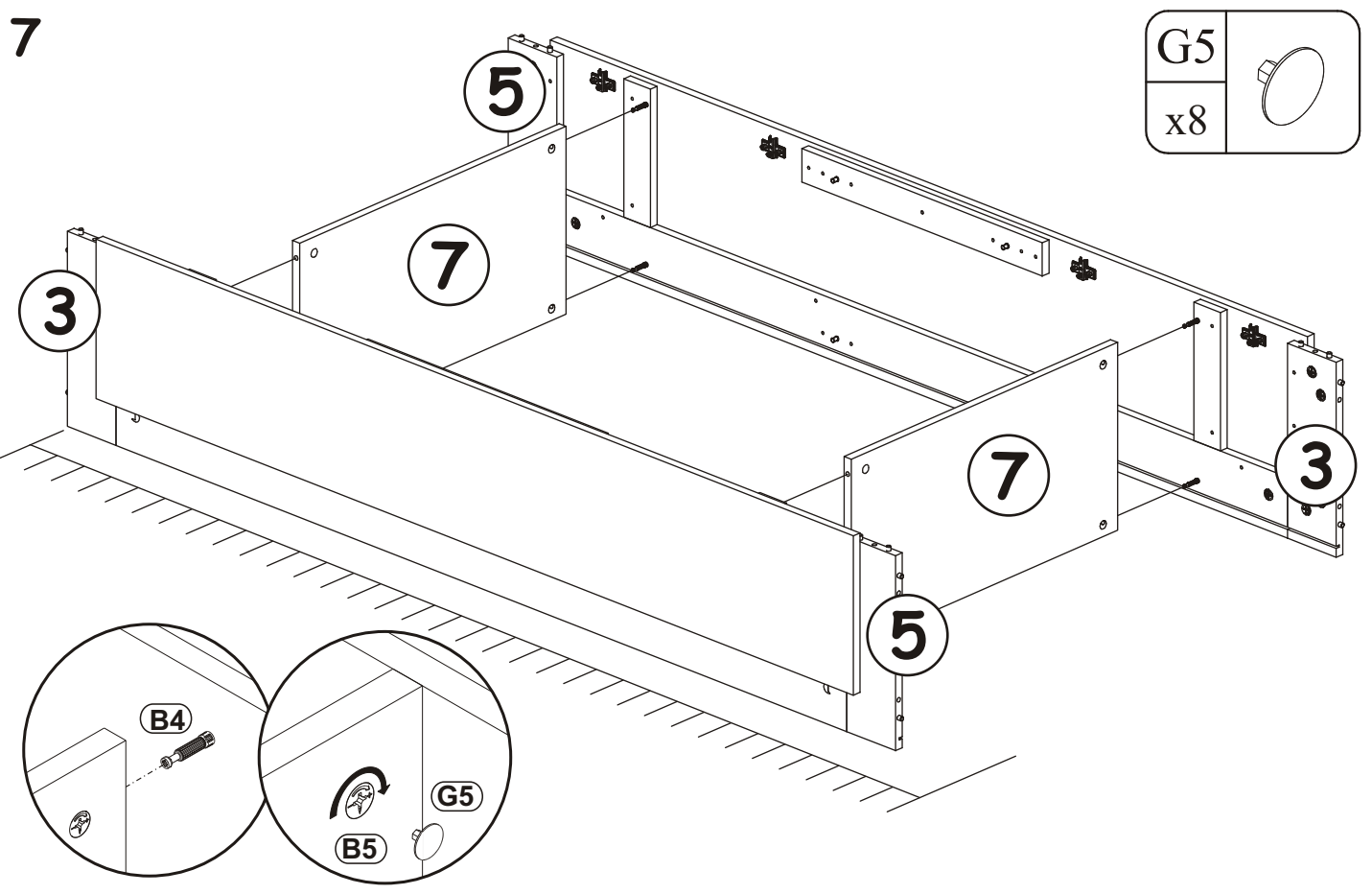
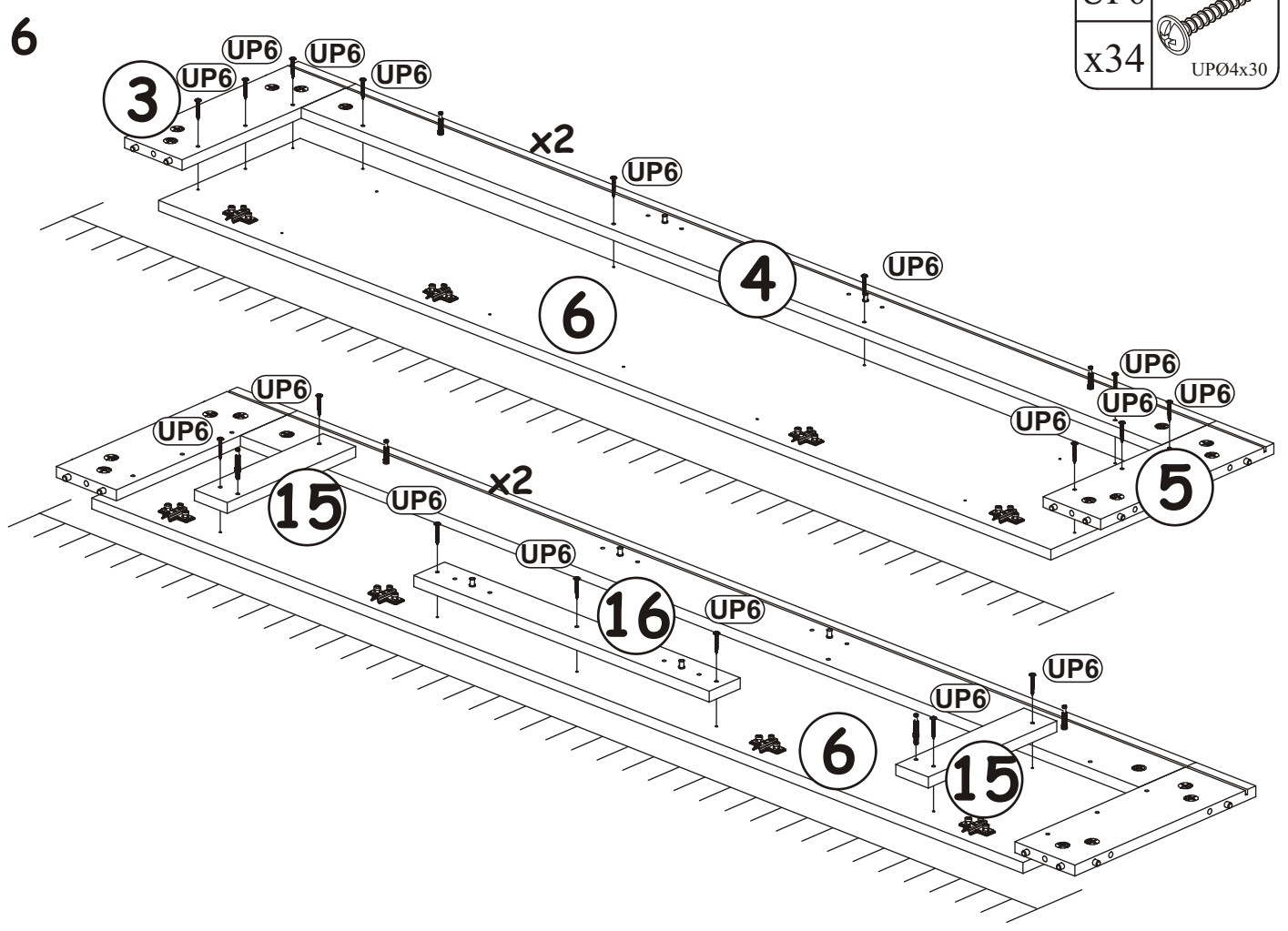
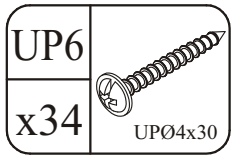
UP13	
x14	UPØ3x16


D10	
x16	USØ3,5x13

E21	
x8	Ø35 H=0

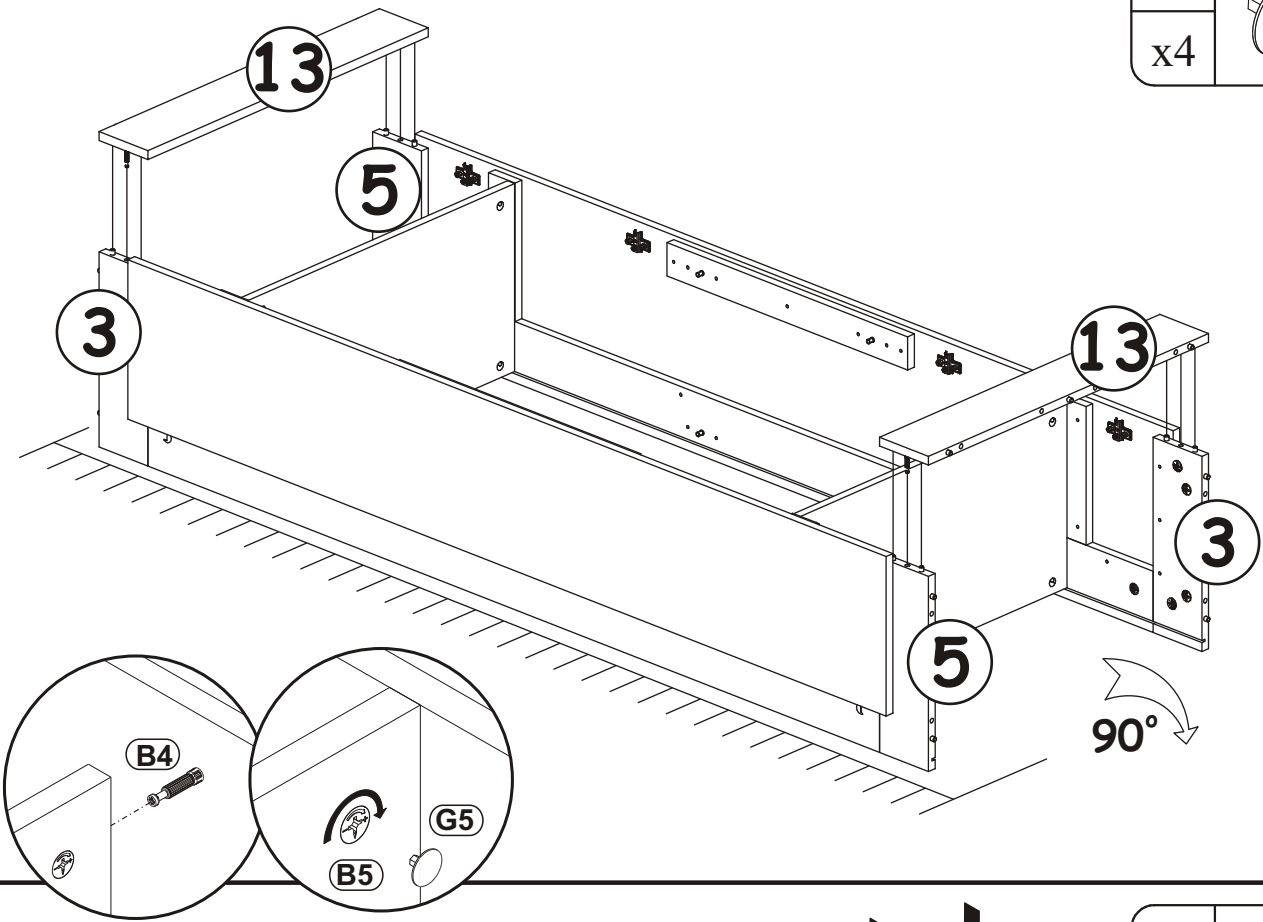
P2	
x14	





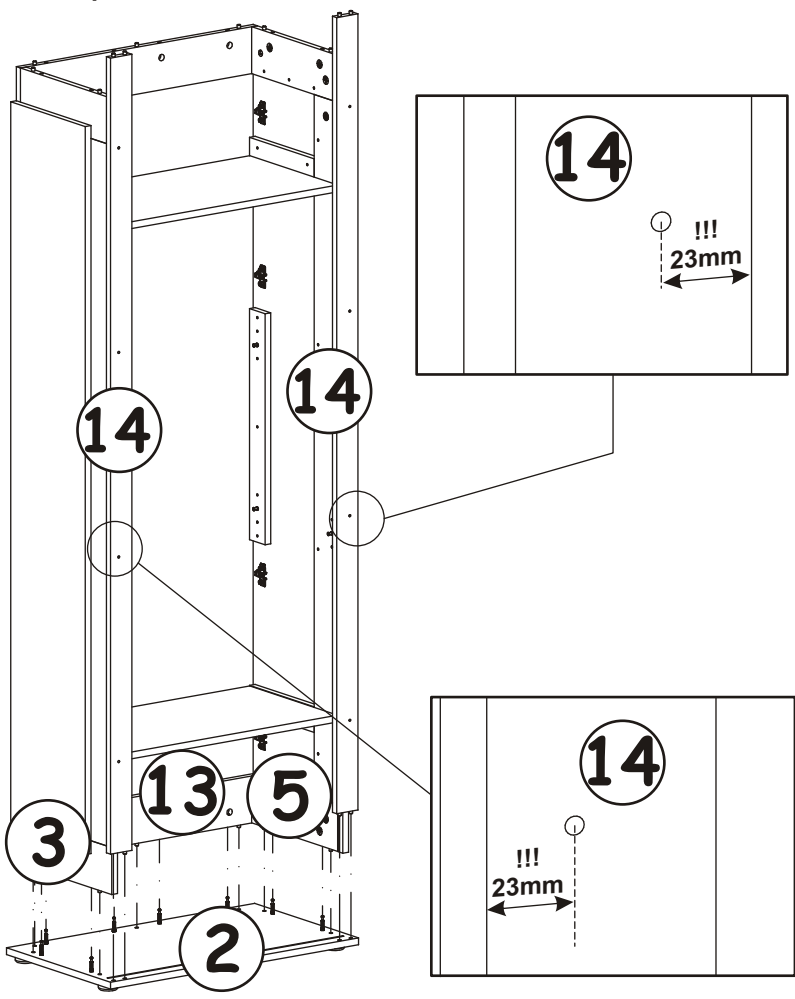
G5	
x4	

8

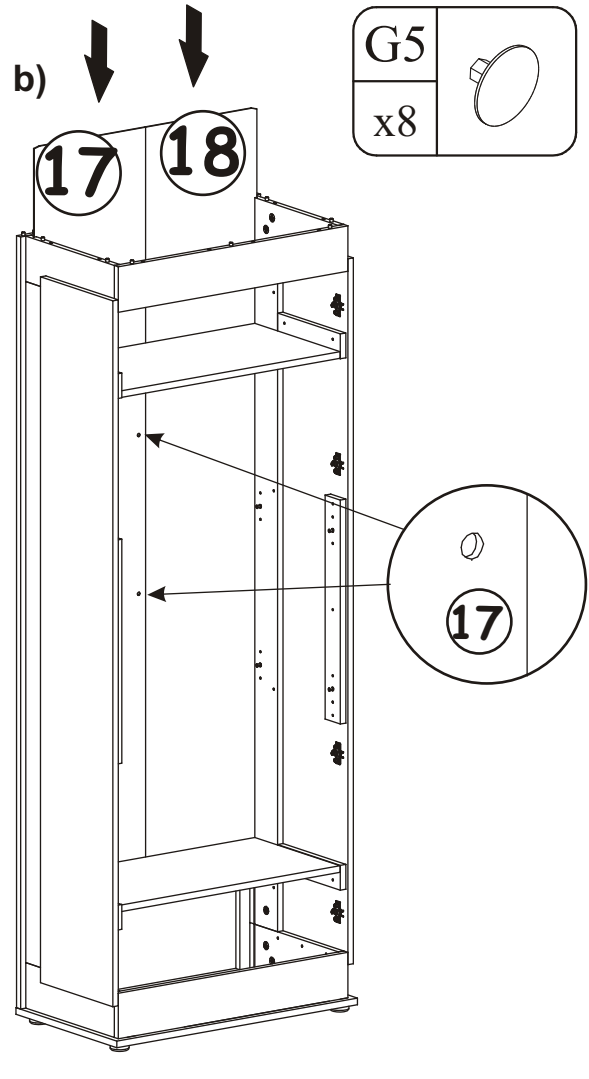



9

a)



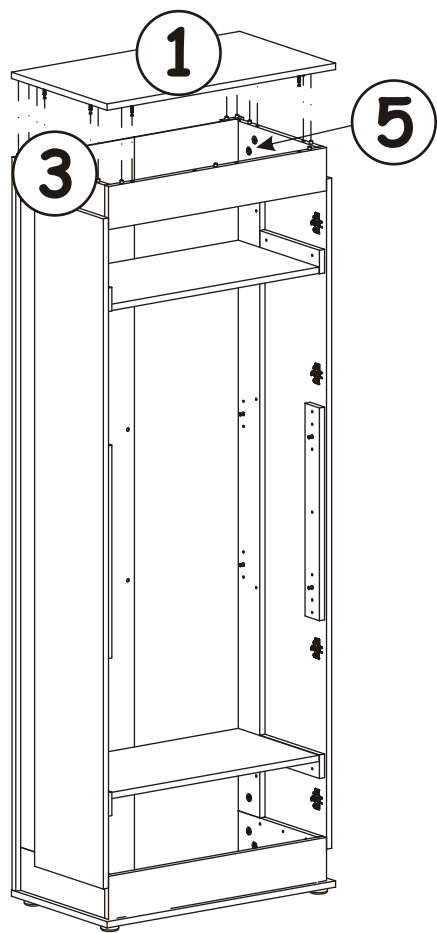
b)



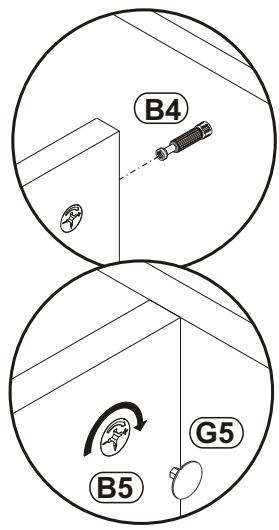
G5	
x8	



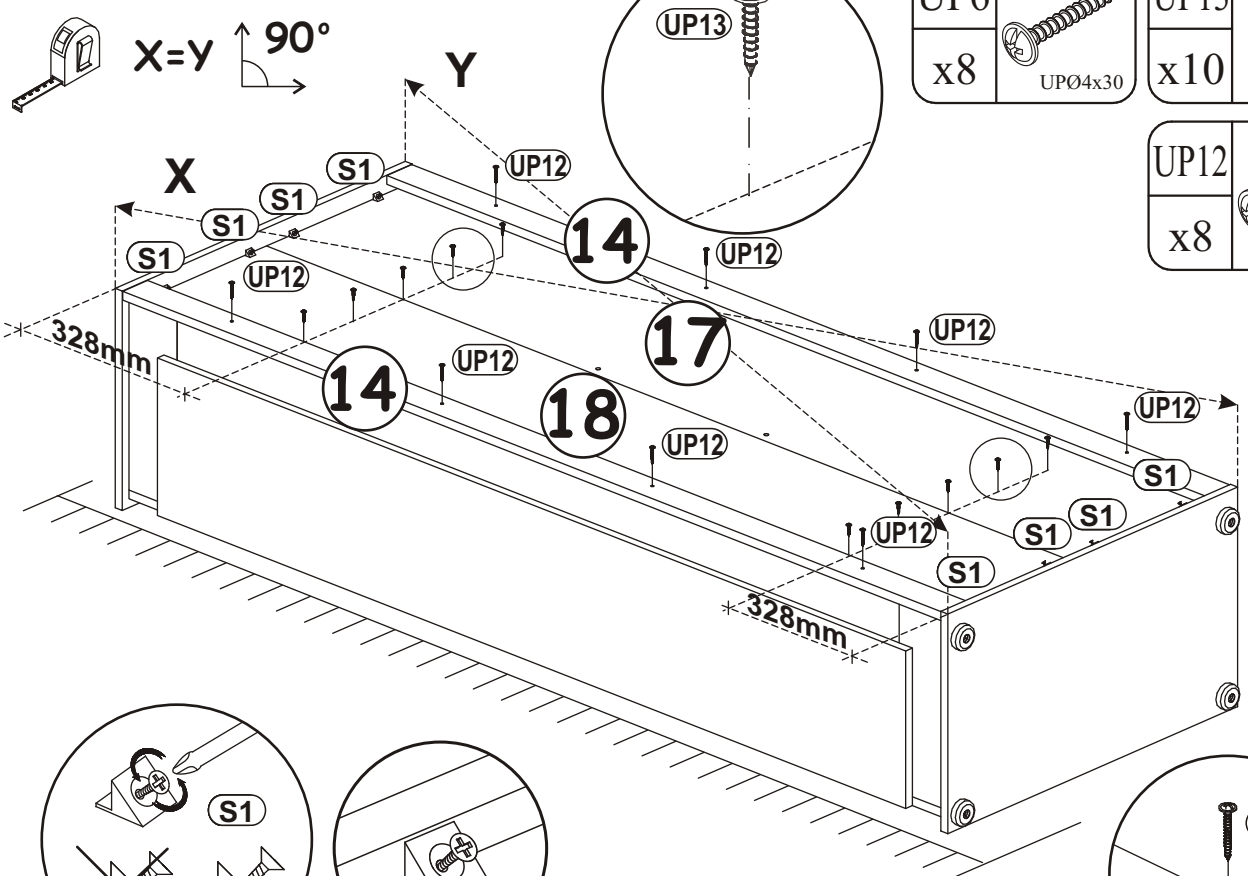
10



G5	
x8	



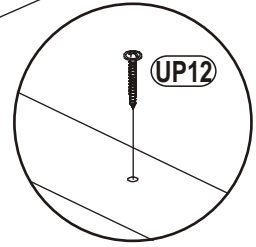
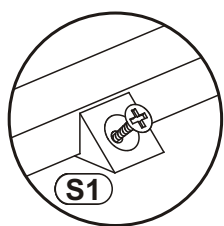
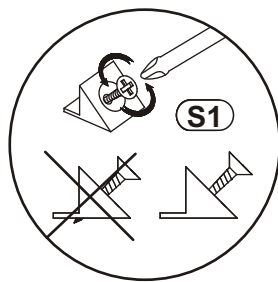
11



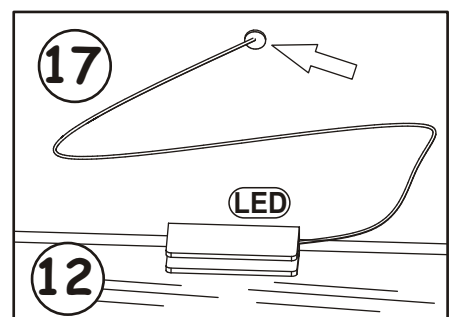
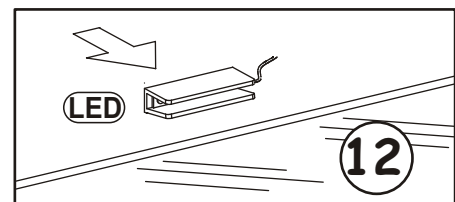
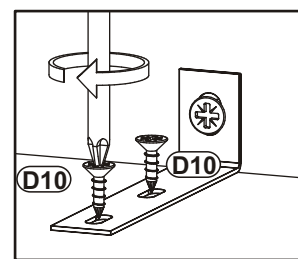
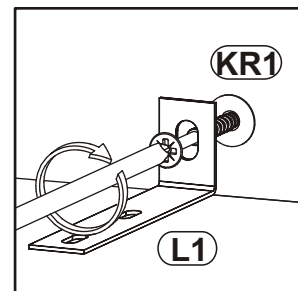
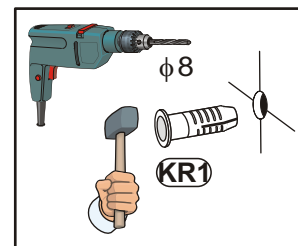
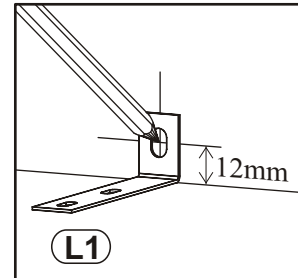
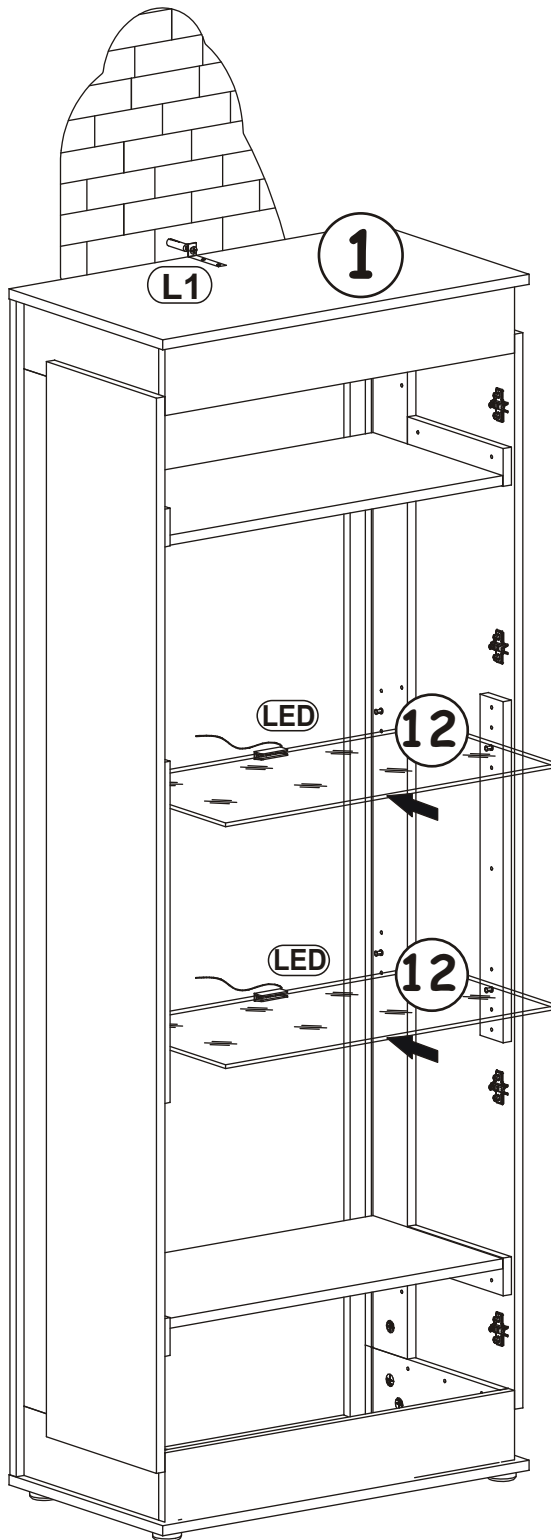
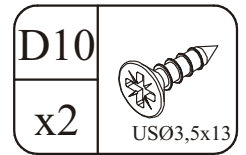
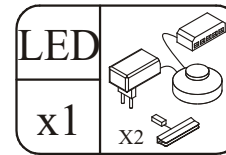
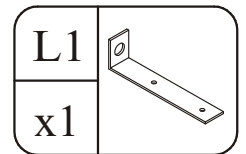
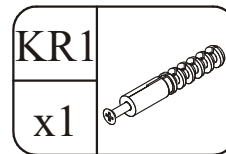
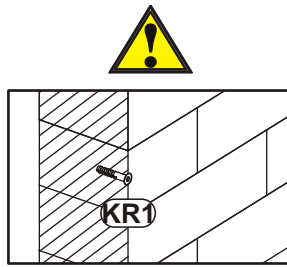
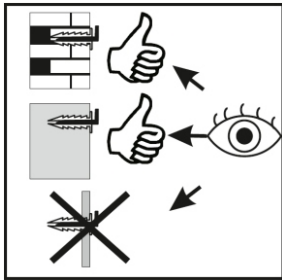
UP6	
x8	UPØ4x30

UP13	
x10	UPØ3x16

UP12	
x8	UPØ3,5x30



12



13

