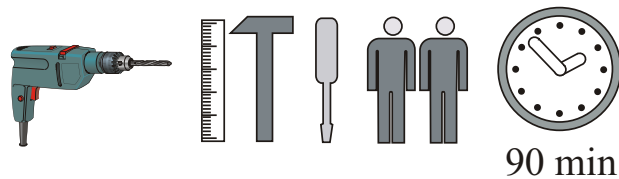
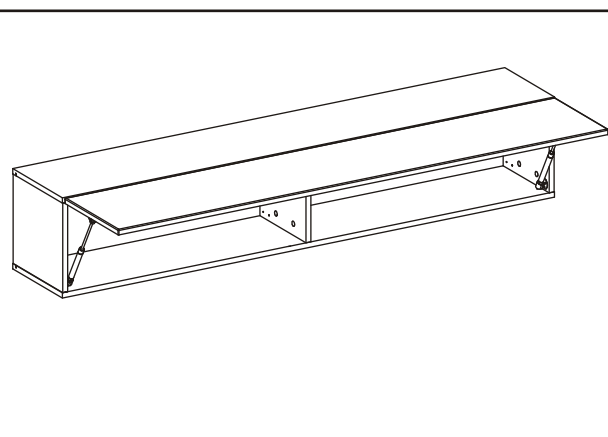
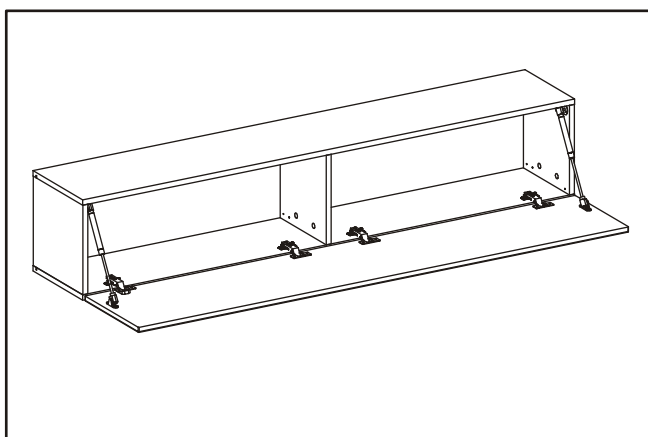
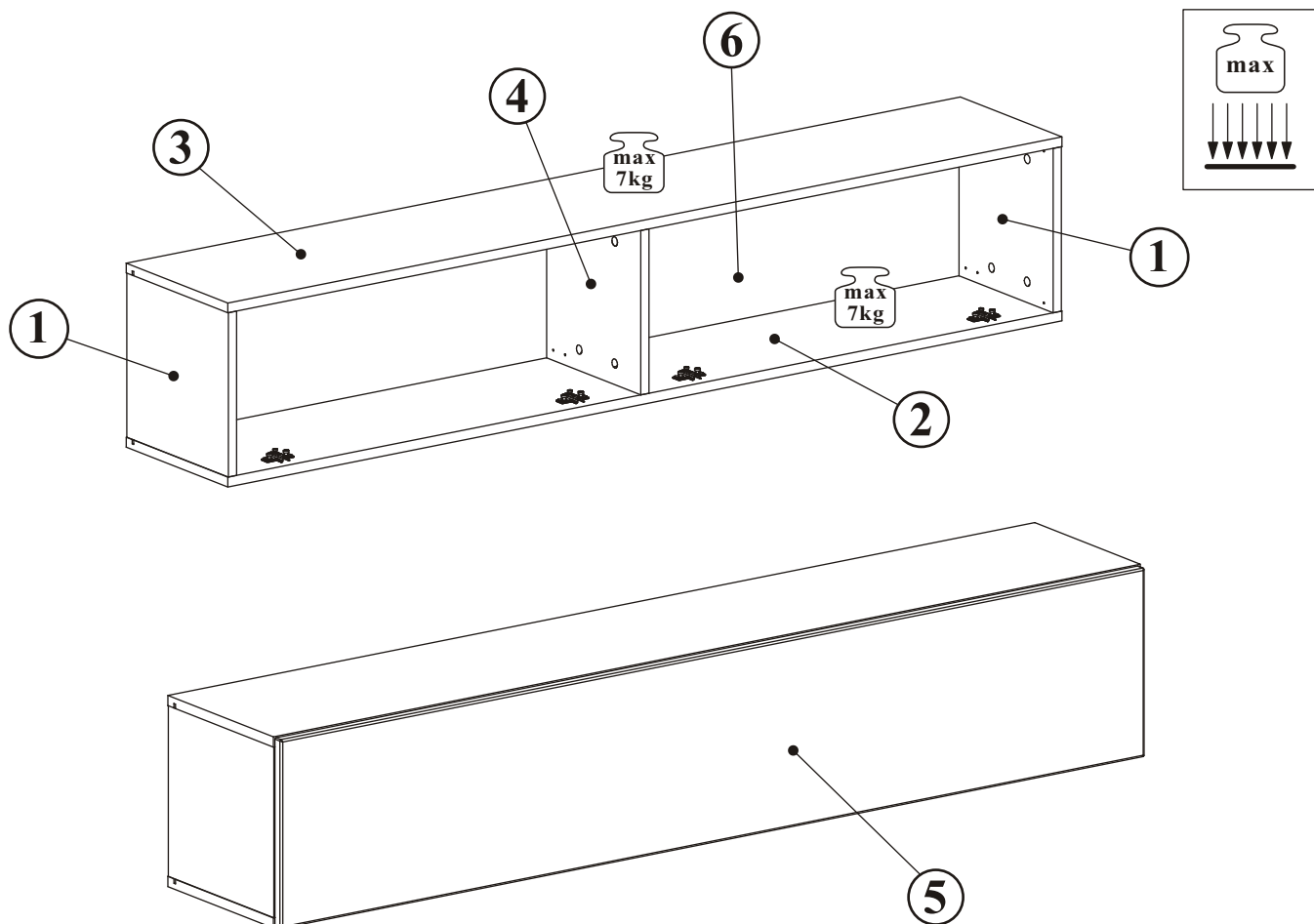
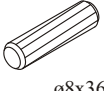
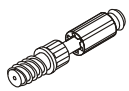
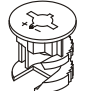

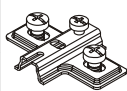
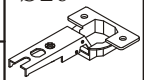

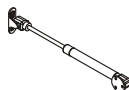
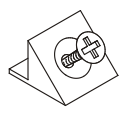
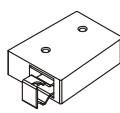

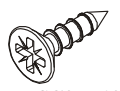



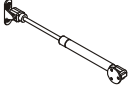


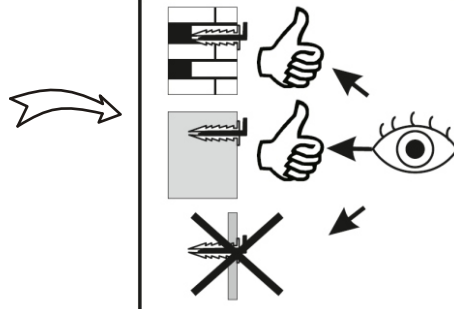
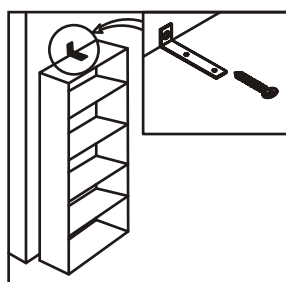
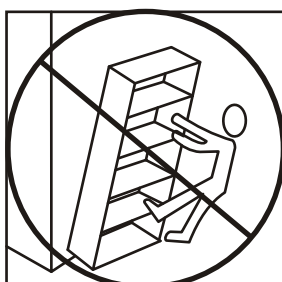
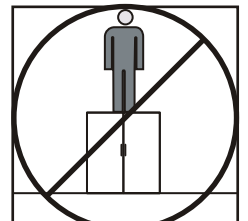
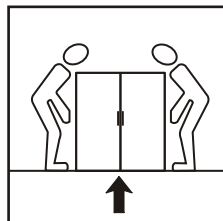
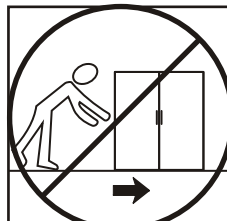
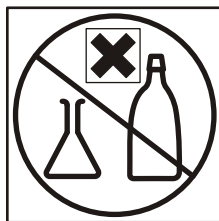
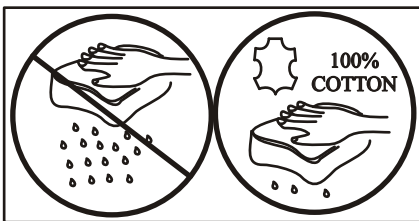
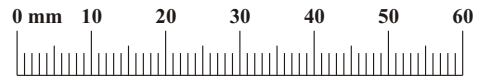
FLY TYP-50



NO	Dim.			Col.-No	Qty
1	268	274	16	1	2
2	1602	274	16	1	1
3	1602	274	16	1	1
4	268	254	16	1	1
6	1580	280	3	1	1
5	1596	296	16	1	1

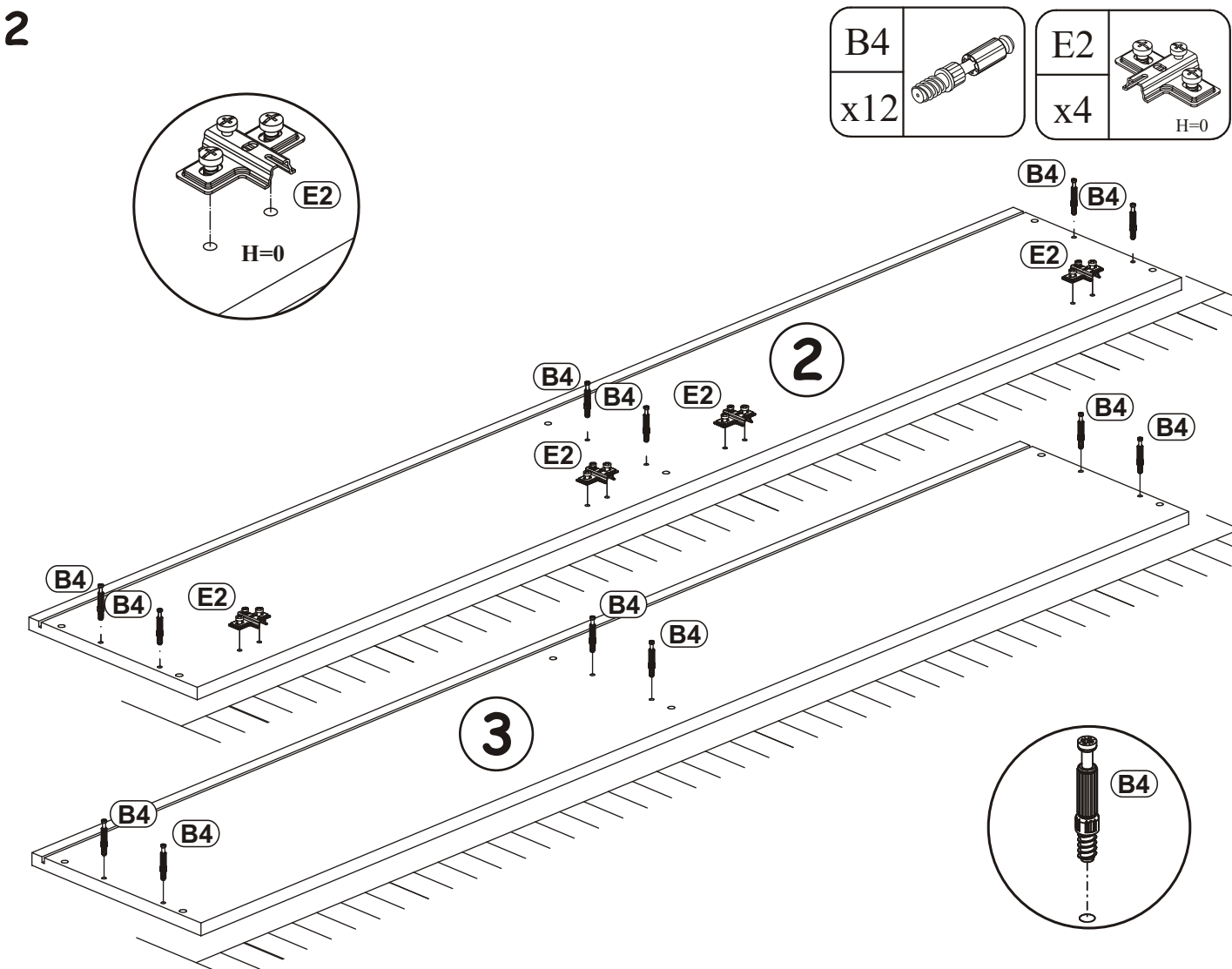
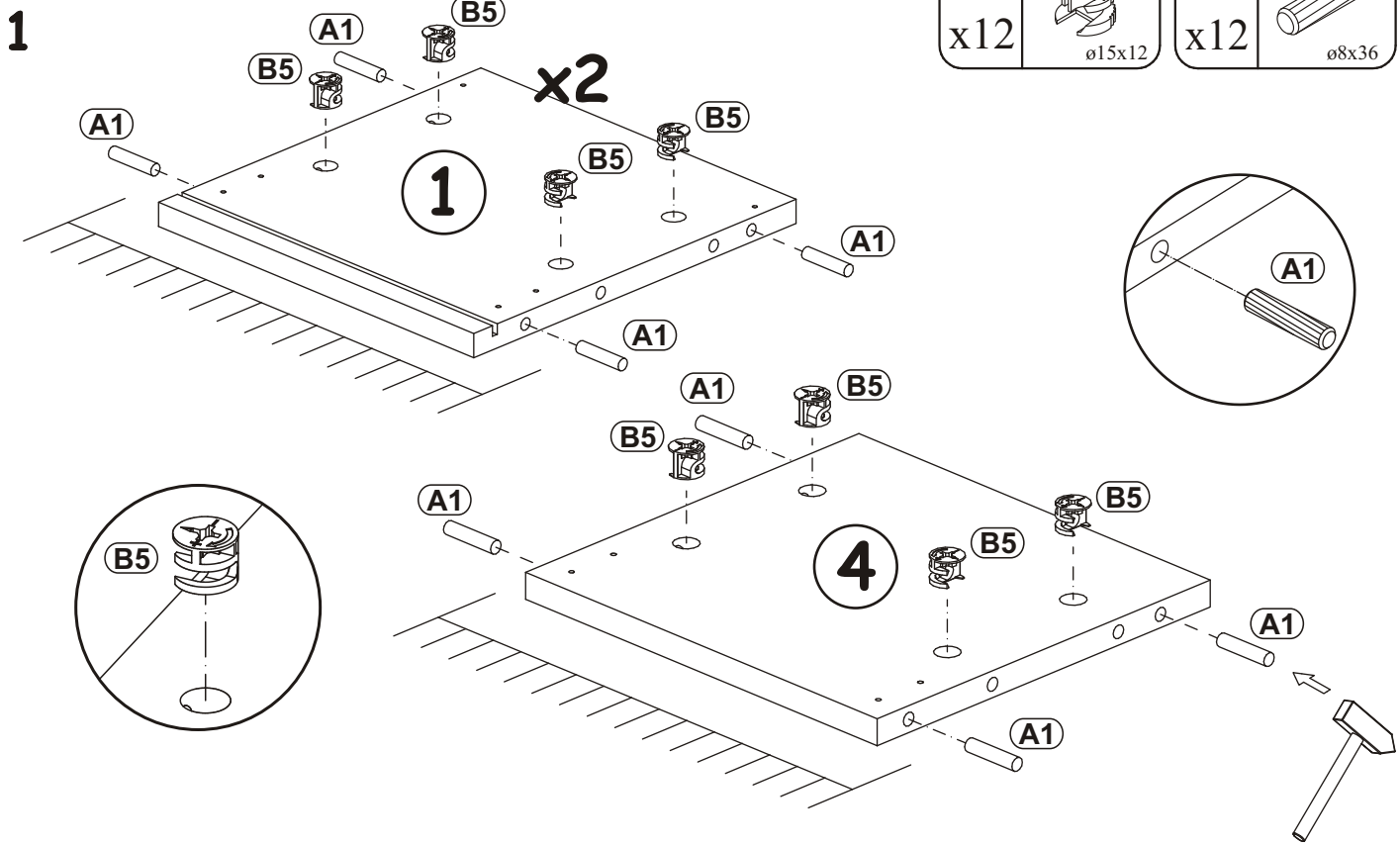
FLY TYP-50

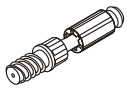
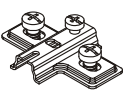
A1 x12  ø8x36	B4 x12 	B5 x12  ø15x12	G5 x12 	E2 x4  H=0	E1 x4  Ø26 H=0
T1 x2 	BO1 x2 	S1 x12 	ZR1 x3 	D6 x6  USØ3,5x30	D10 x22  USØ3,5x13
UP13 x2  UPØ3x16	G2 x1 	KR2 x3 	BP1 x2 		

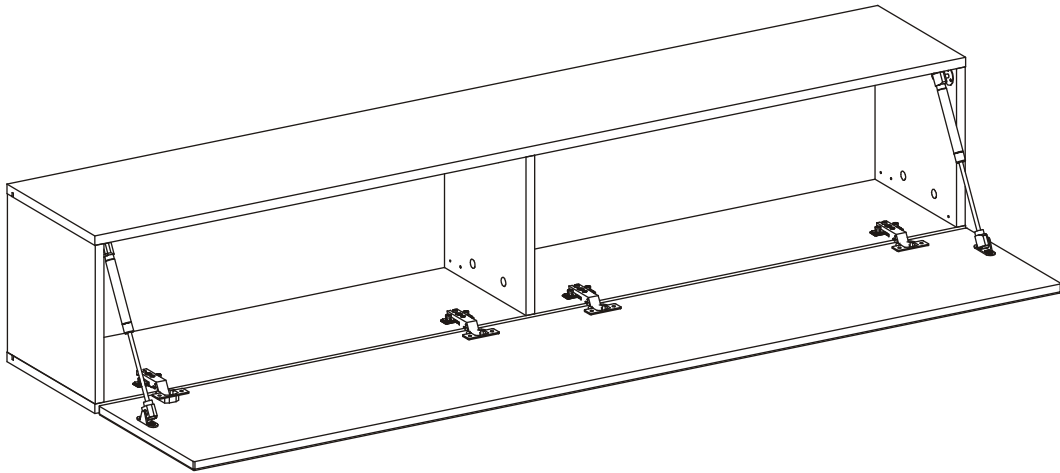


FLY TYP-50

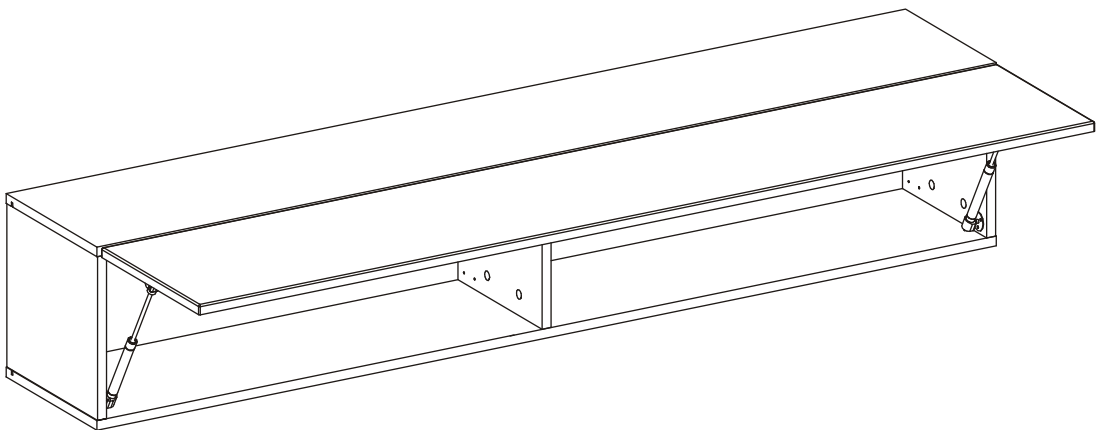
B5		A1	
x12	ø15x12	x12	ø8x36



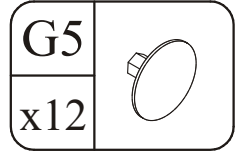
B4		E2	
x12		x4	H=0



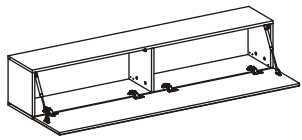
3 - 10



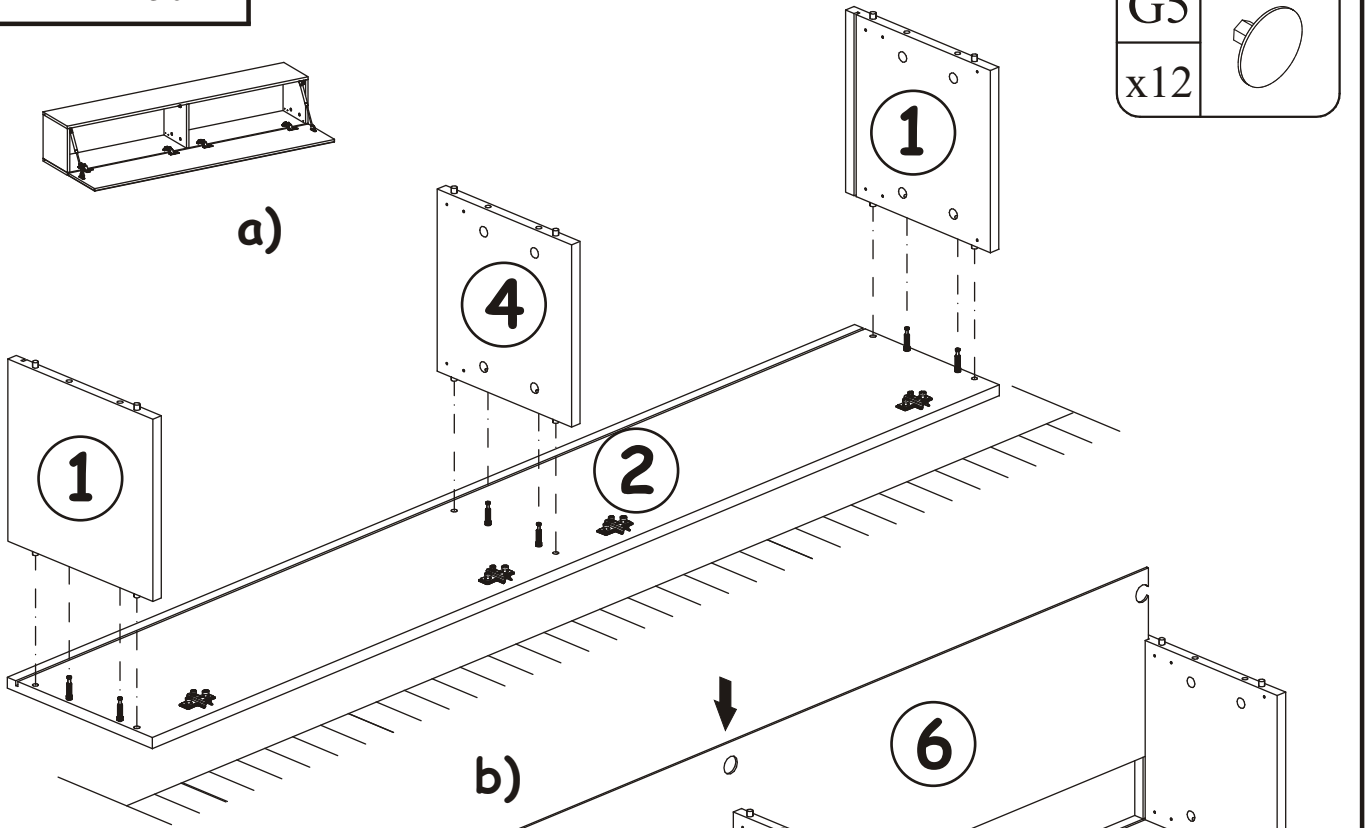
11 - 18



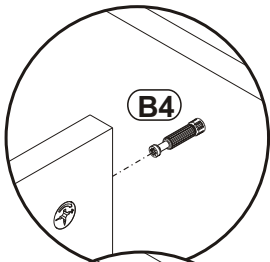
3



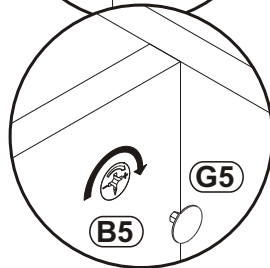
a)



b)

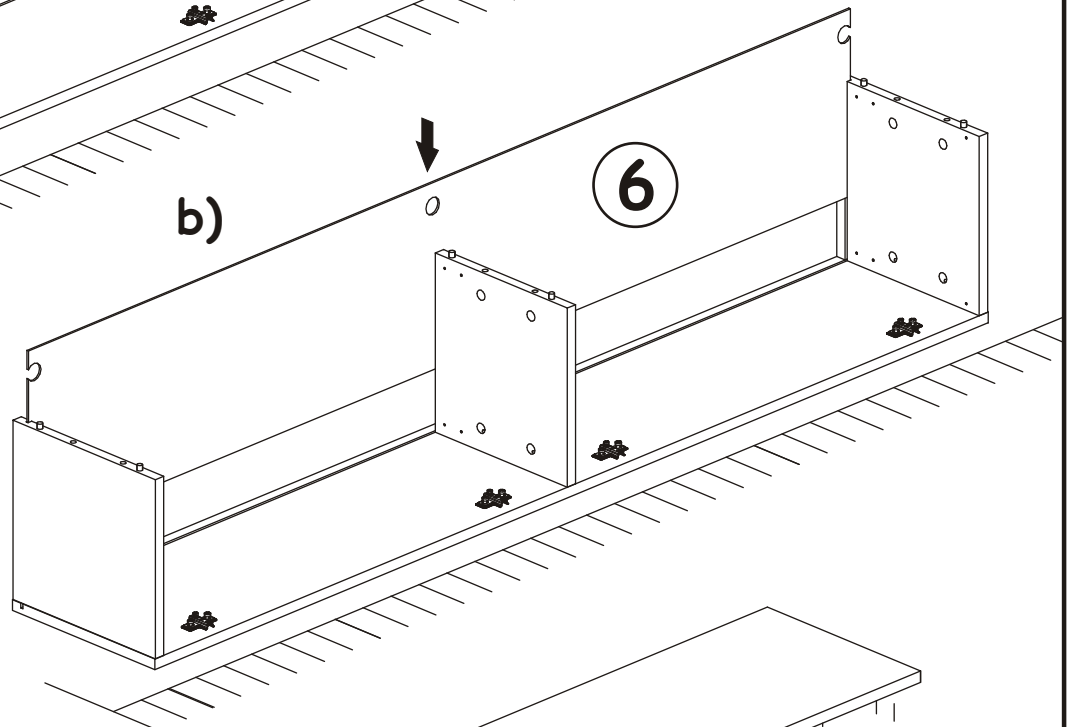


B4

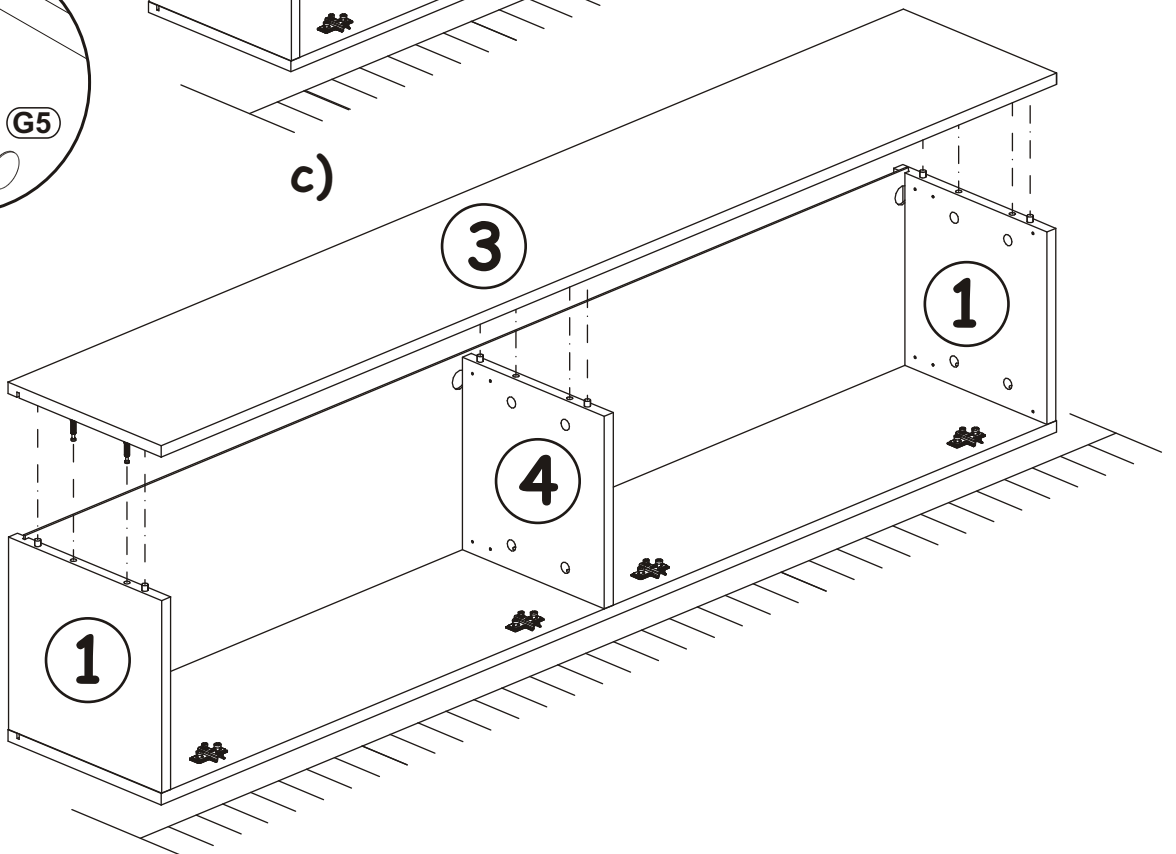


G5

B5



c)



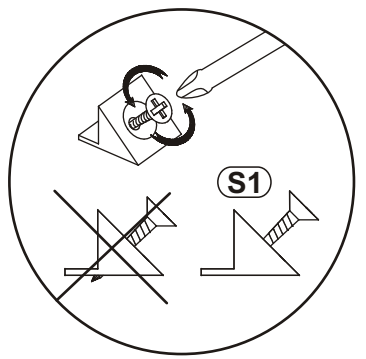
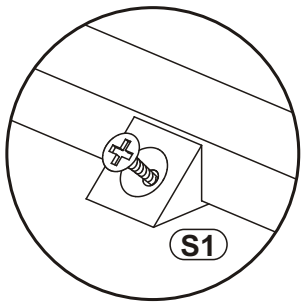
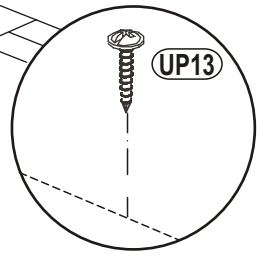
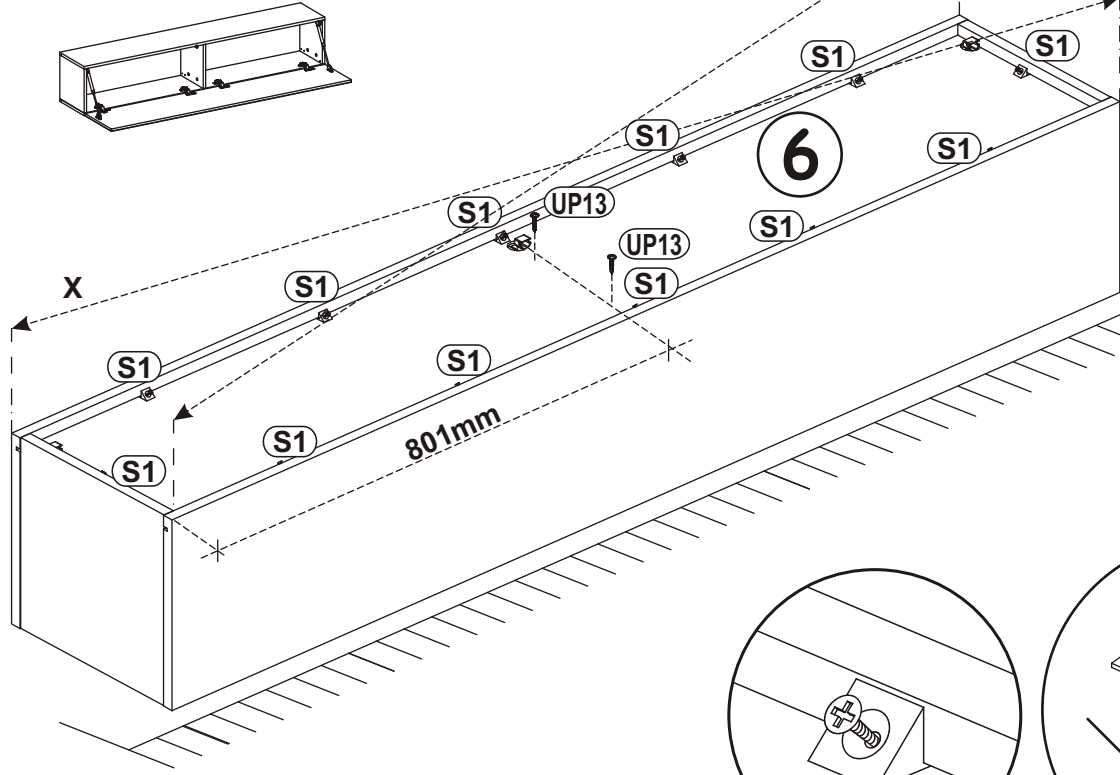
FLY TYP-50

4

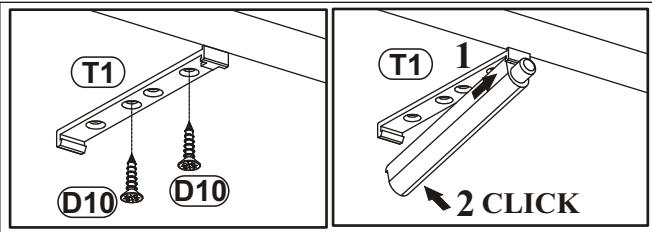


UP13	
x2	UPØ3x16

S1	
x12	



5

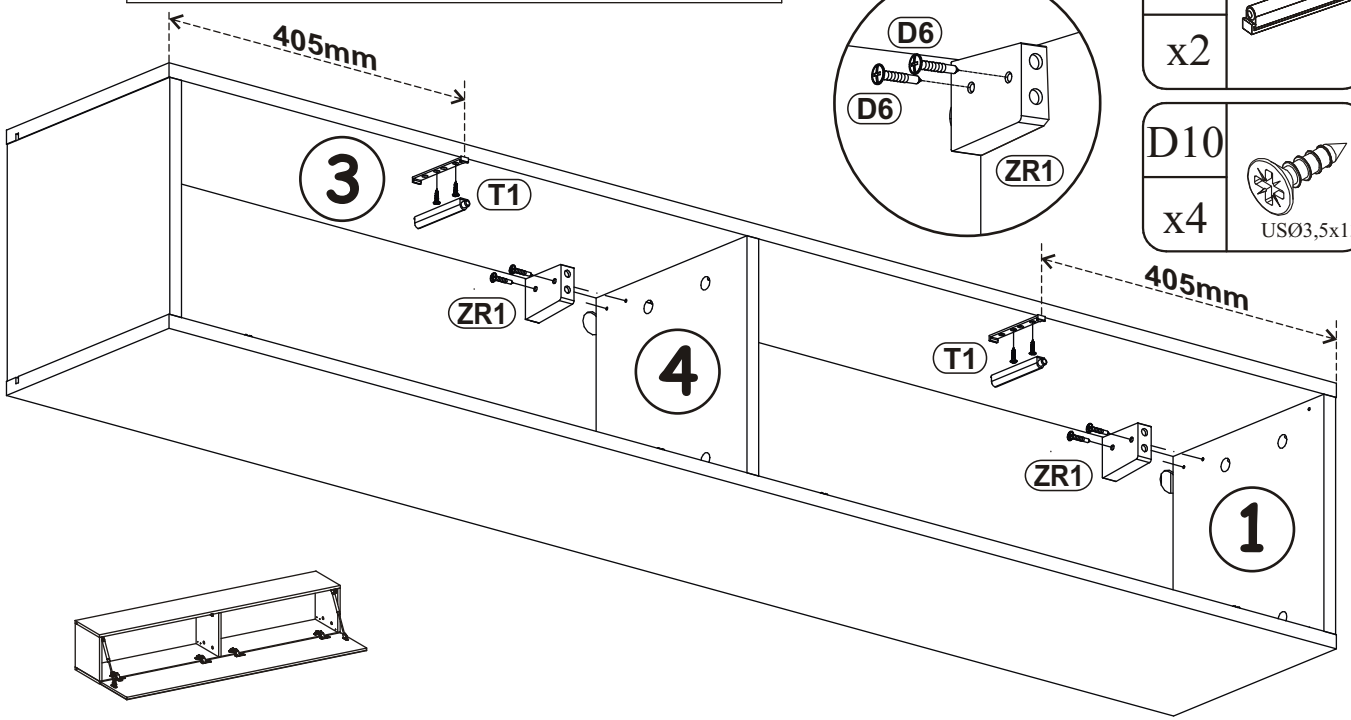
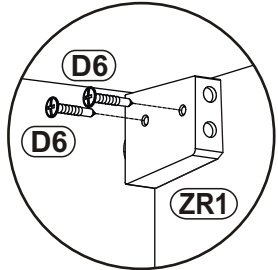


ZR1	
x2	

D6	
x4	USØ3,5x30

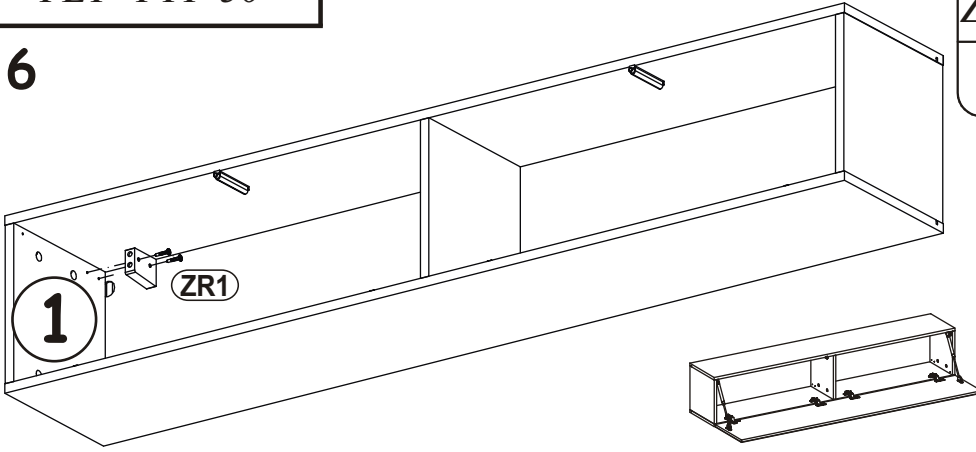
T1	
x2	

D10	
x4	USØ3,5x13

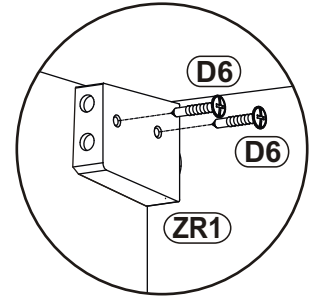


FLY TYP-50

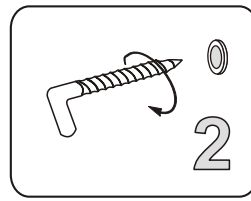
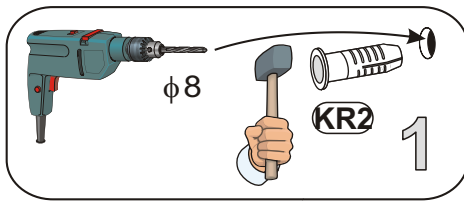
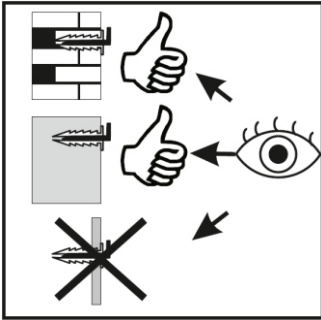
6



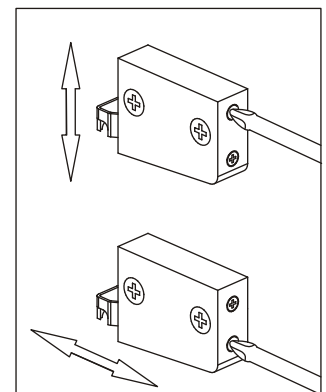
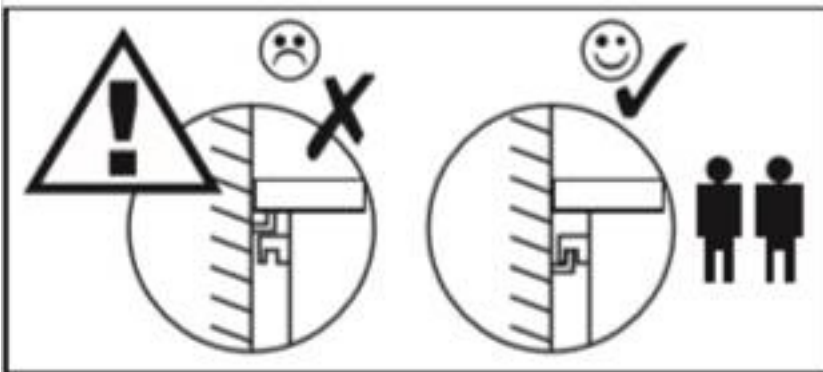
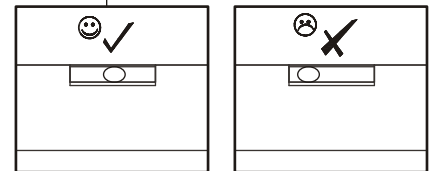
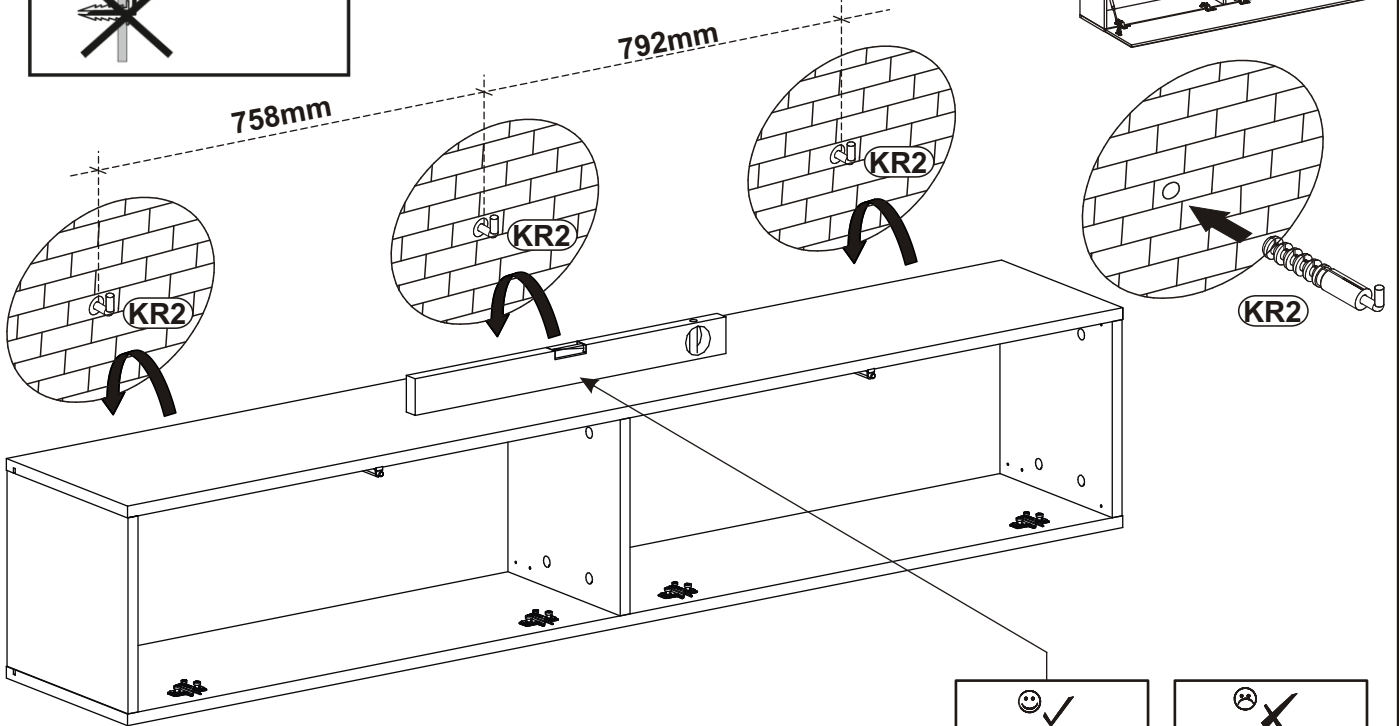
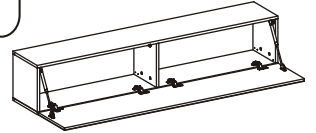
ZR1		D6	
x1		x2	USØ3,5x30



7

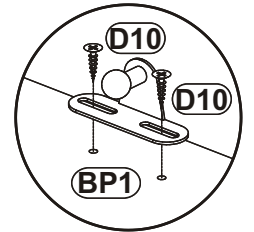
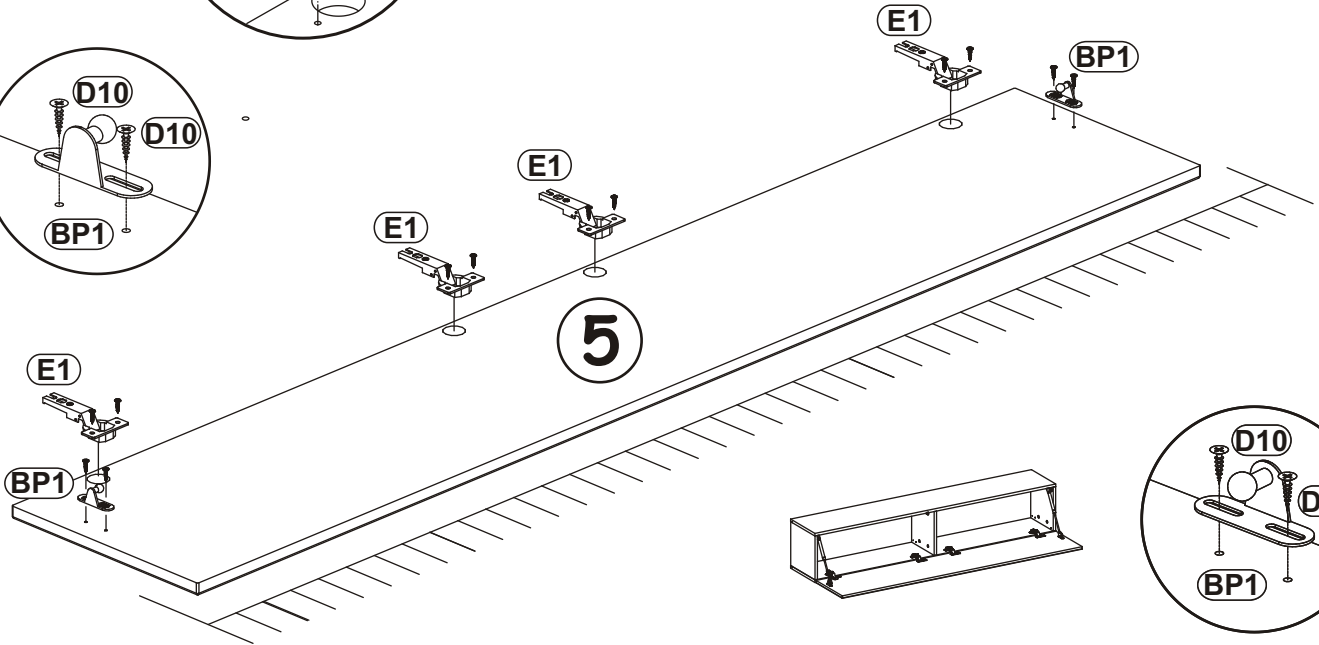
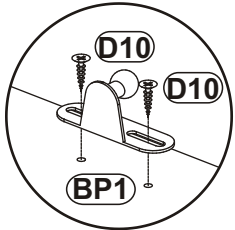
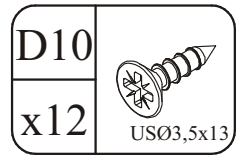
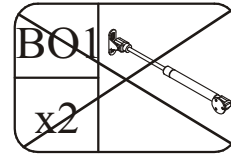
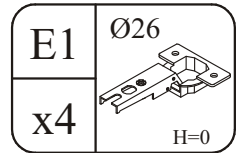
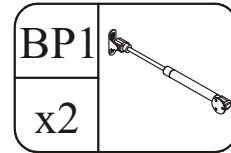
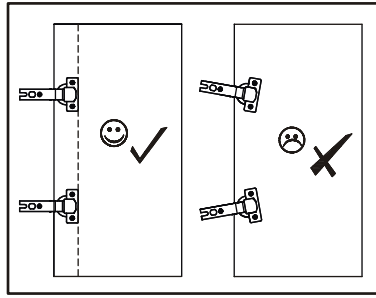
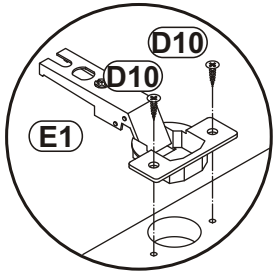


KR2	
x3	

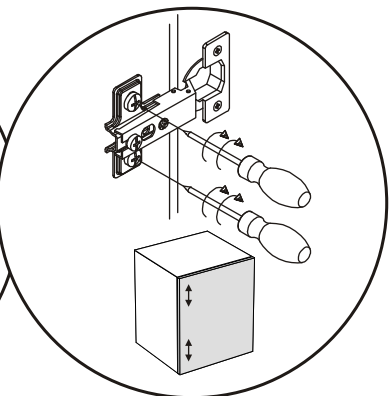
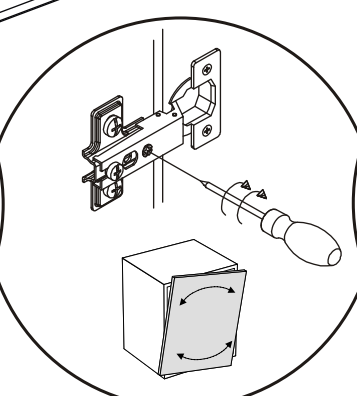
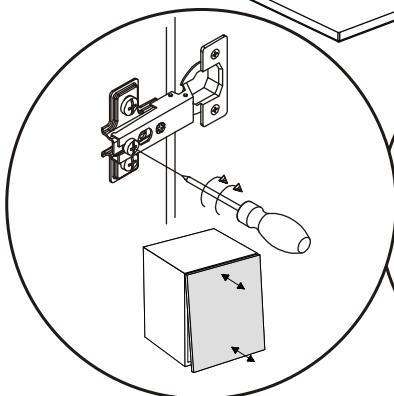
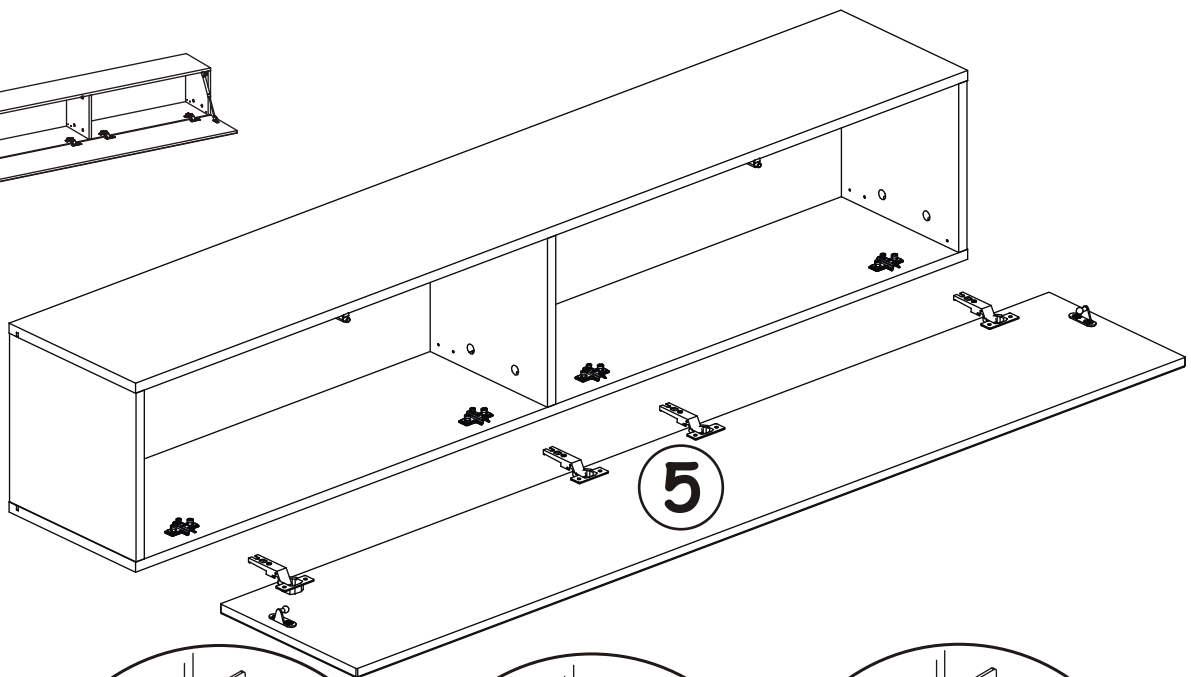
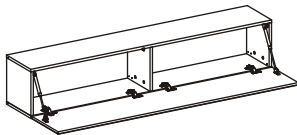


FLY TYP-50


8

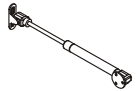


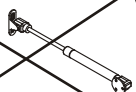
9

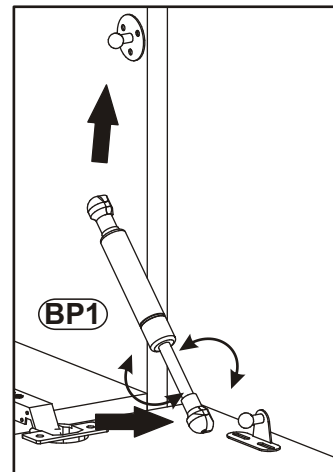
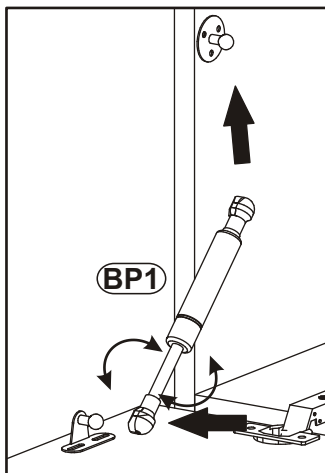
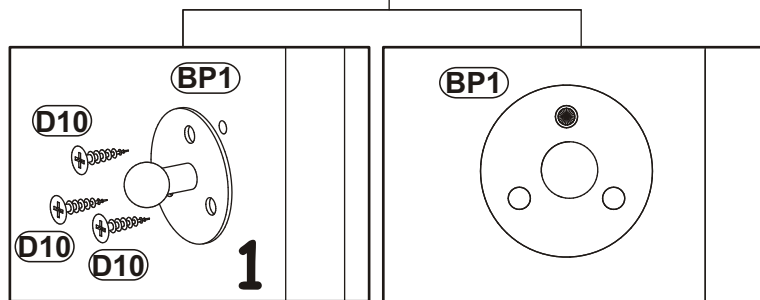
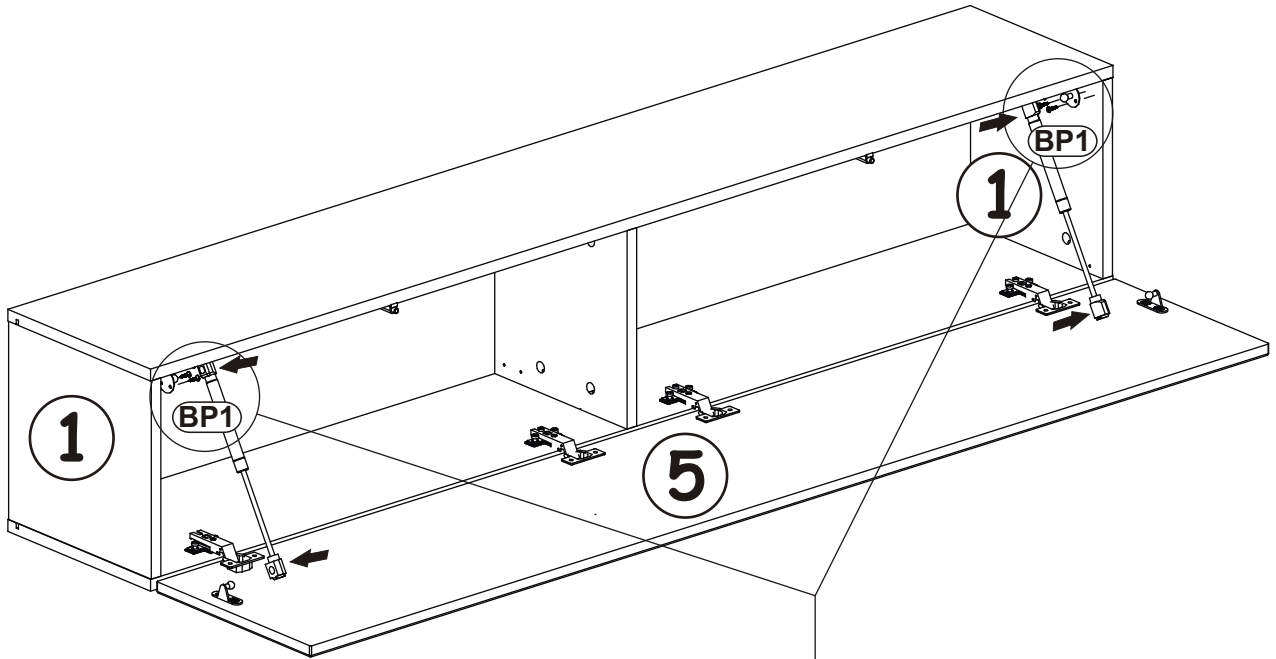
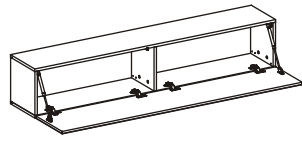



10

D10	
x6	USØ3,5x13

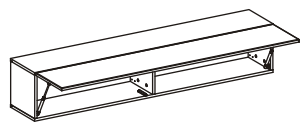
BP1	
x2	

BO1	
x2	

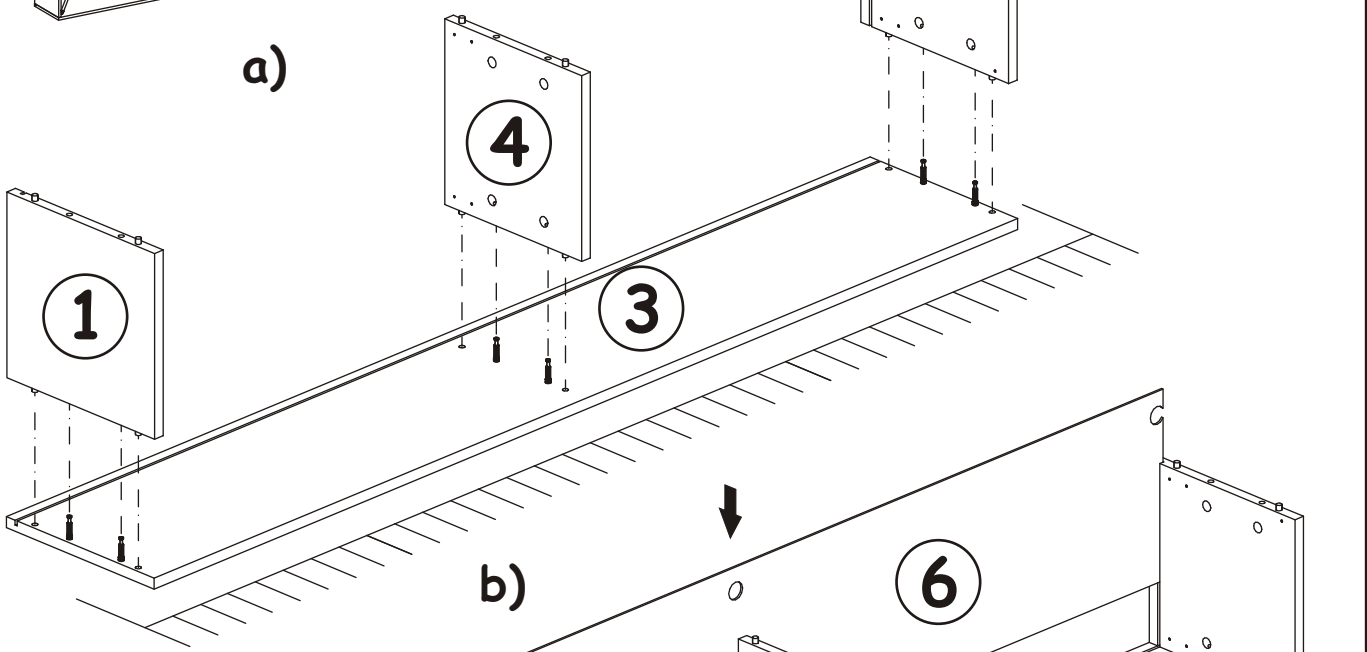


G5	
x12	

11

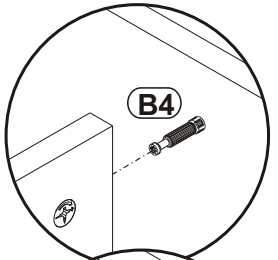


a)

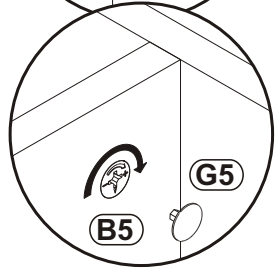


b)

6



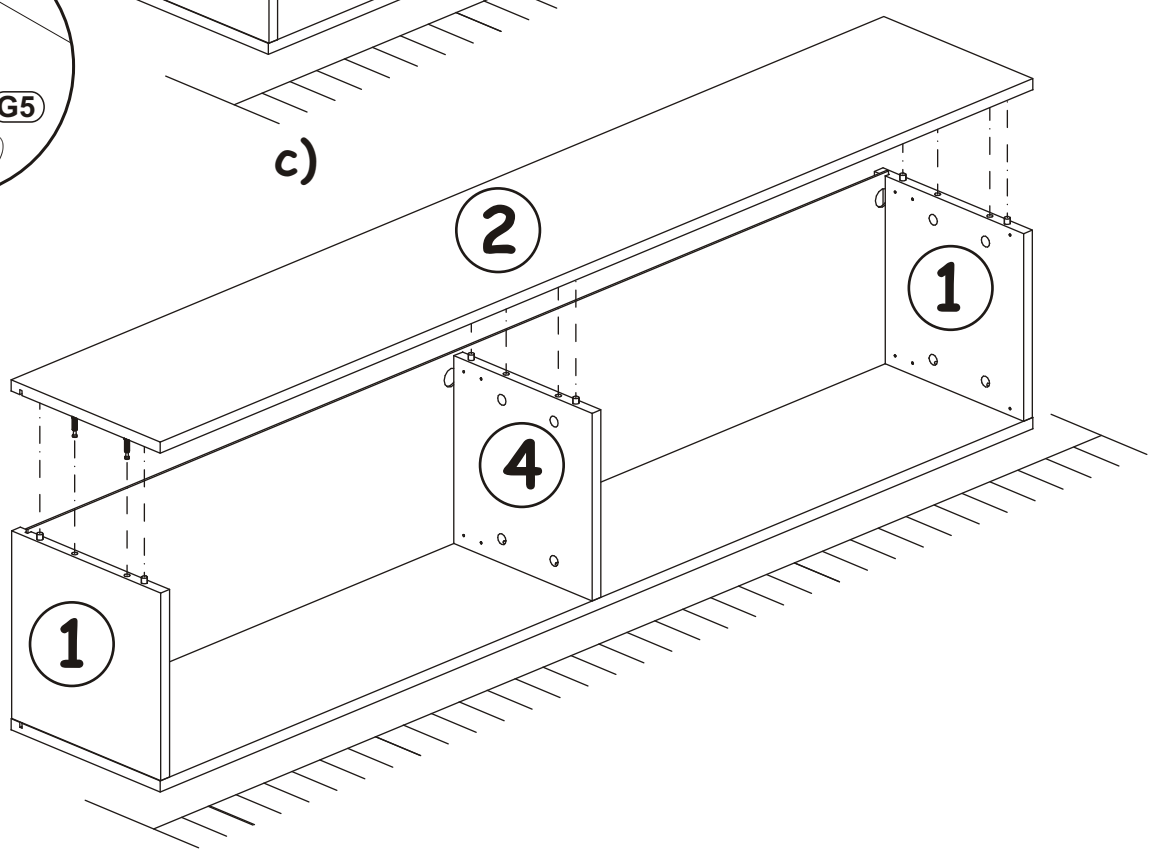
B4



G5

B5

c)



2

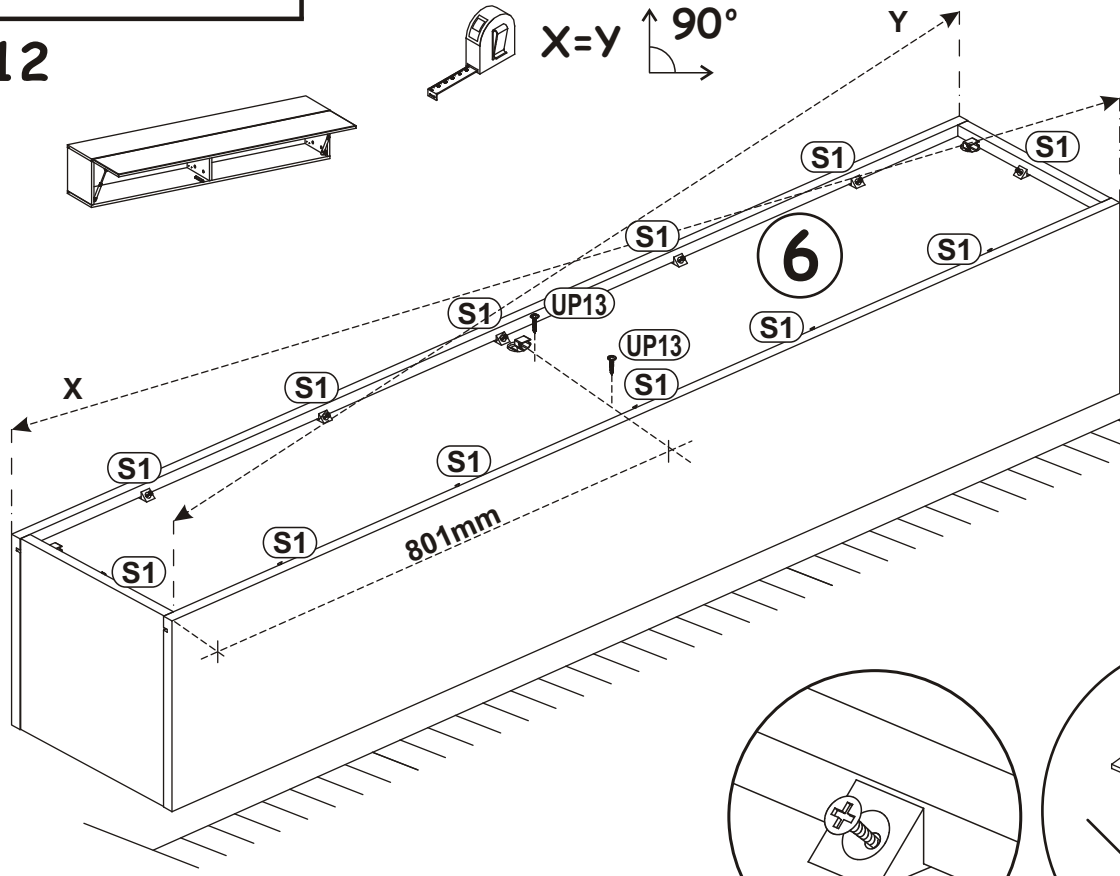
1

4

1

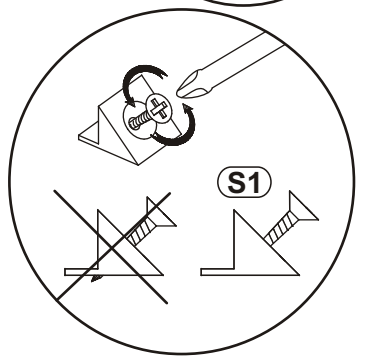
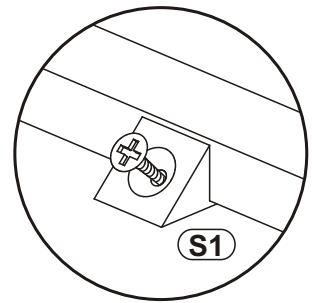
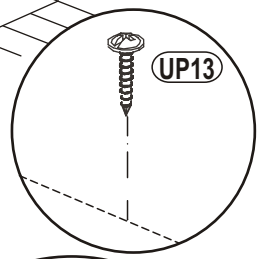
FLY TYP-50

12

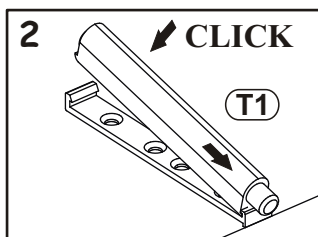
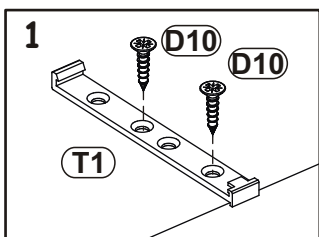


UP13	
x2	UPØ3x16

S1	
x12	



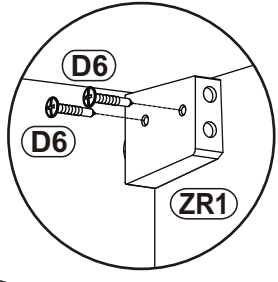
13



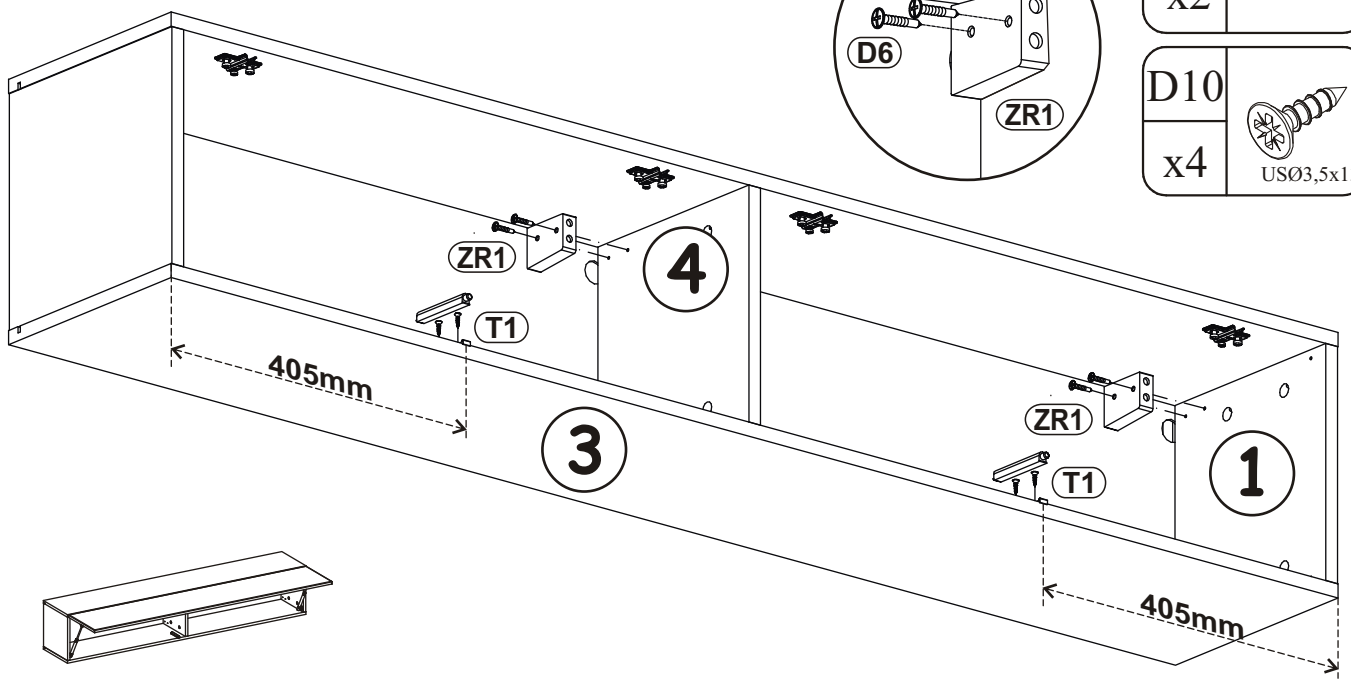
ZR1	
x2	

D6	
x4	USØ3,5x30

T1	
x2	

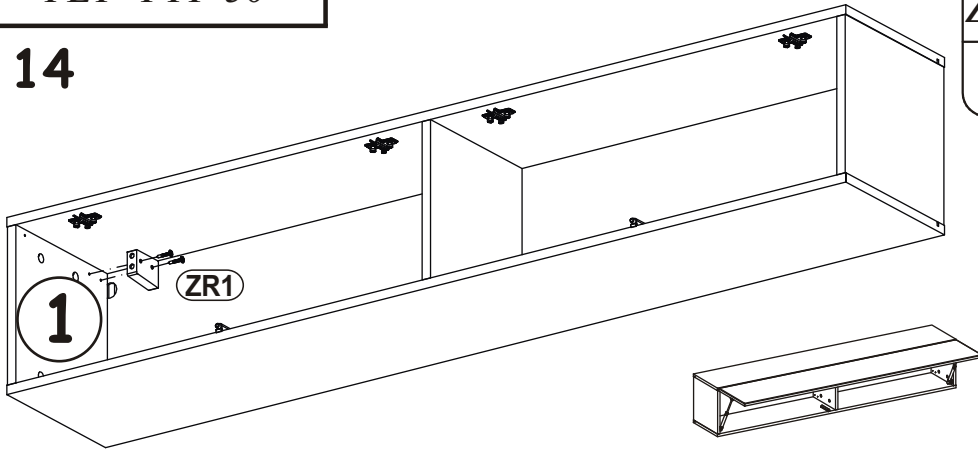


D10	
x4	USØ3,5x13



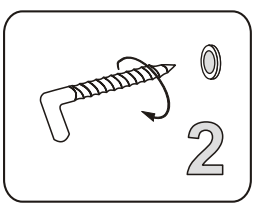
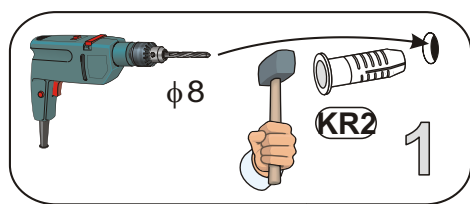
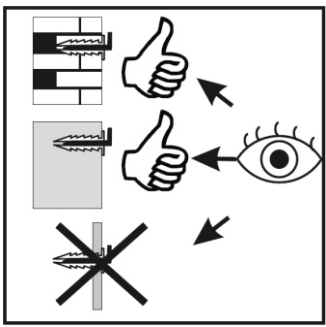
FLY TYP-50

14

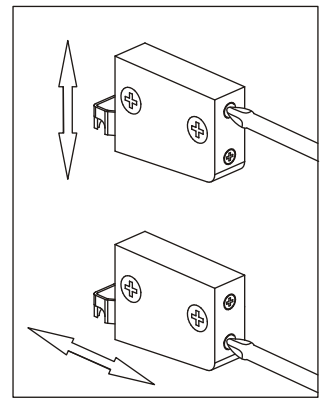
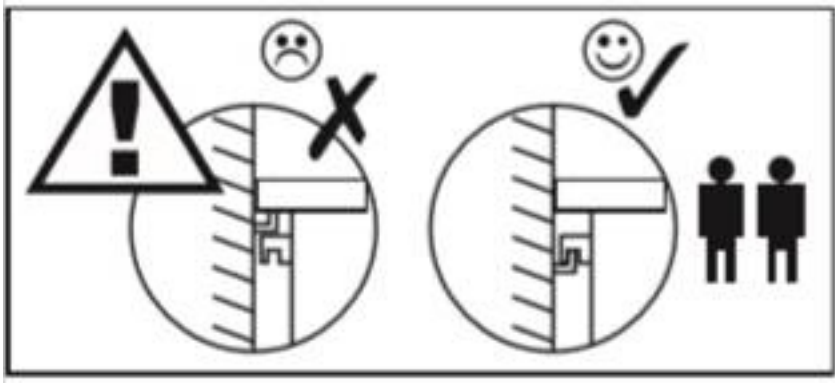
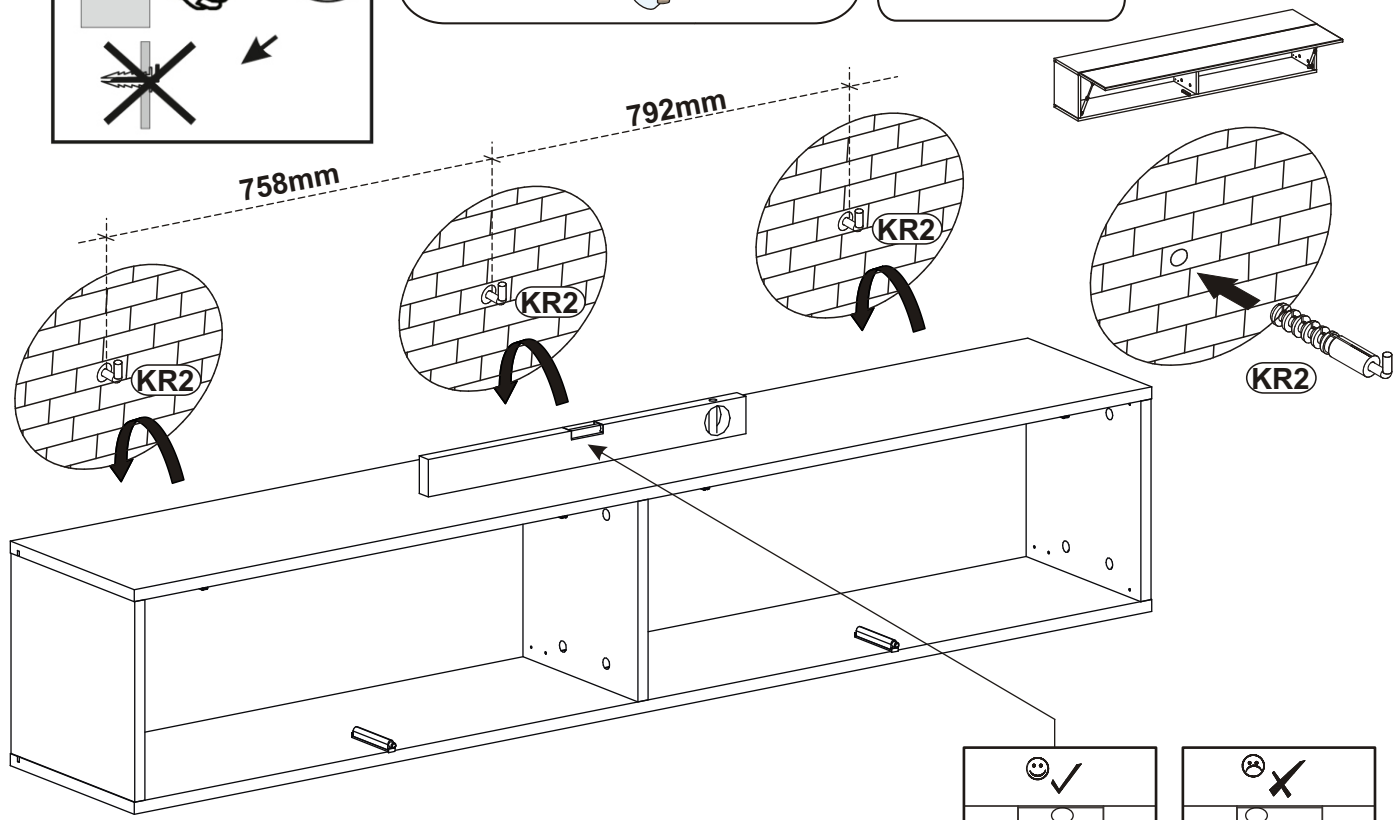


ZR1		D6	
x1		x2	USØ3,5x30

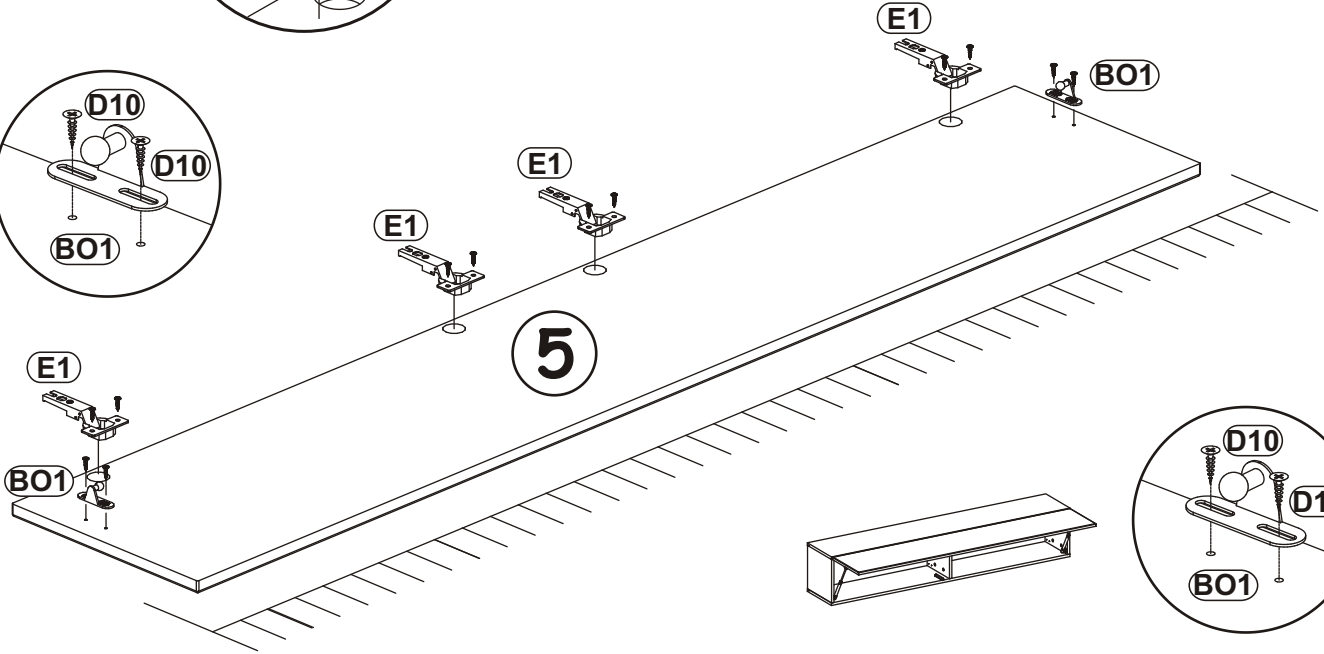
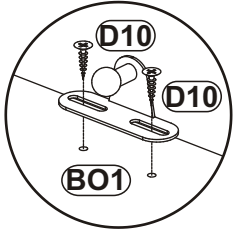
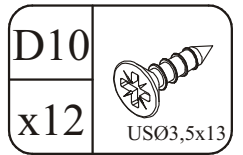
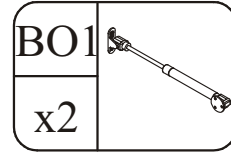
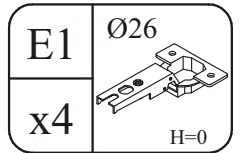
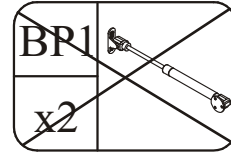
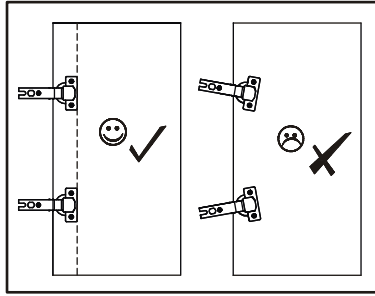
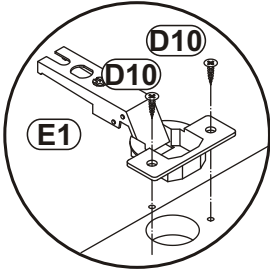
15



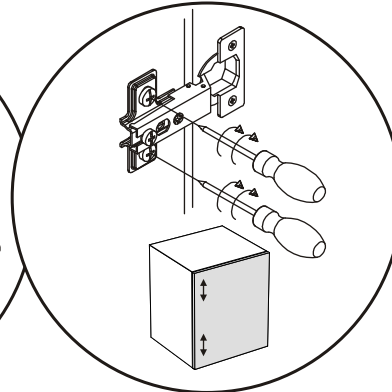
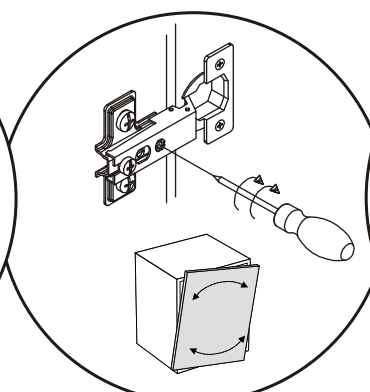
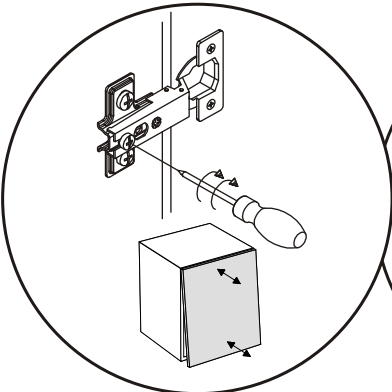
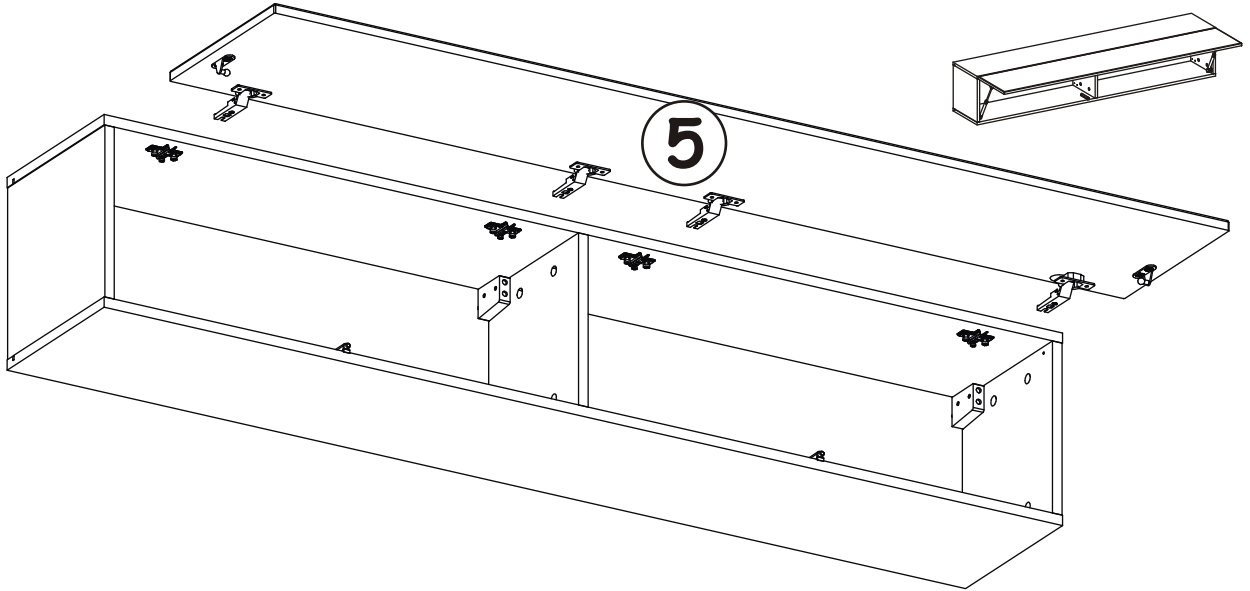
KR2	
x3	



16



17



18

