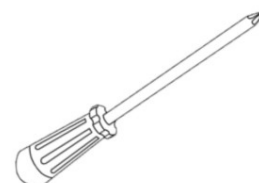
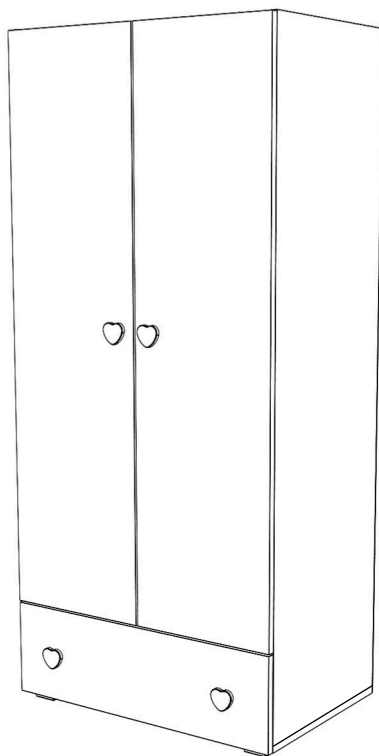




















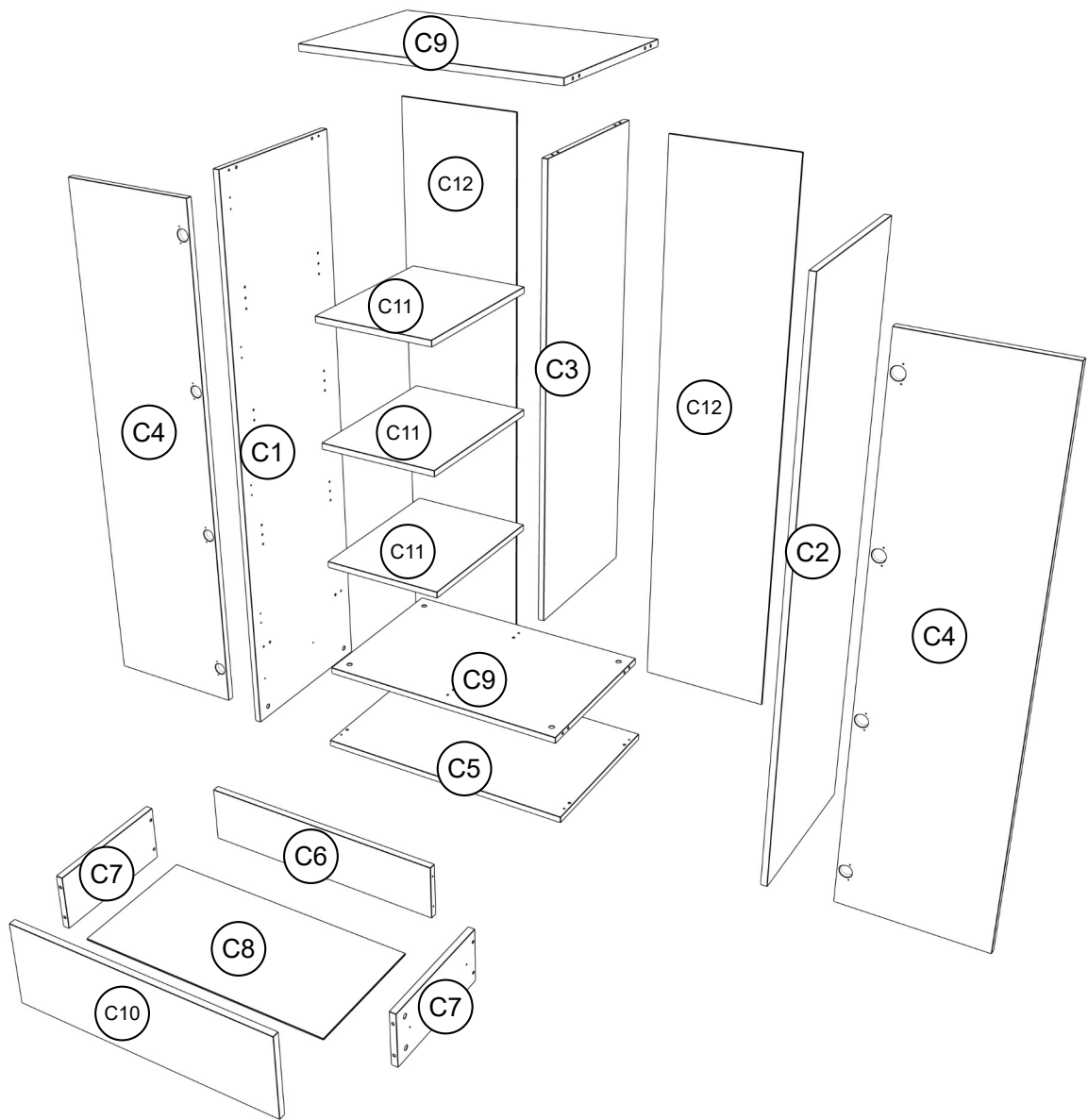


# STELLA



S1		x20	S11		x1
S2		x20	S12		x4
S3	8x30 	x16	S13		x4
S4	3,5x20 	x10	S14		x8
S5	3,5x16 	x48	S15		x32
S6	4x25 	x8	S16		x8
S7		x4	S17		x12
S8		x3	S18		x4
S9		x4	S19		x20
S10		x2	S20		x1



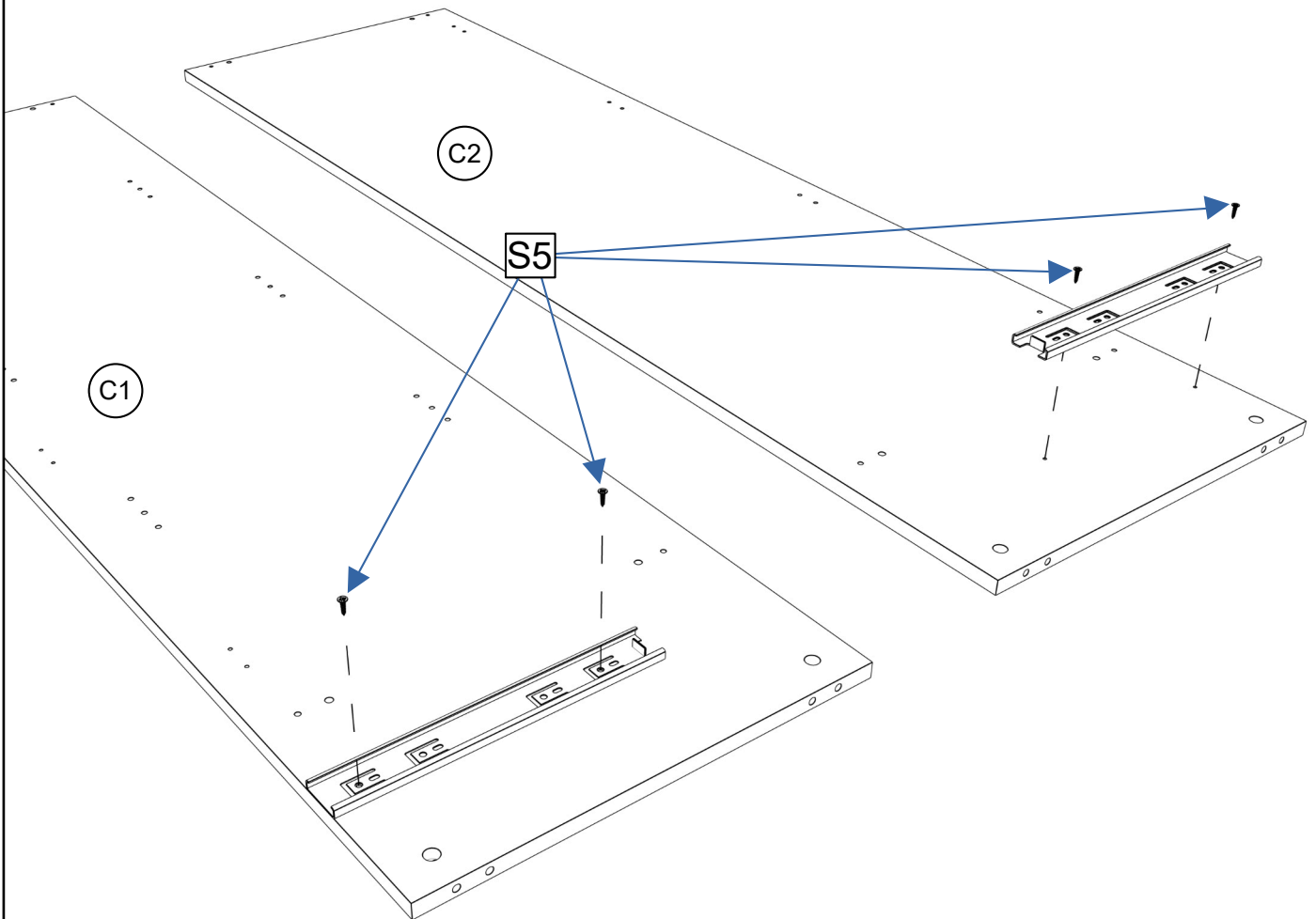
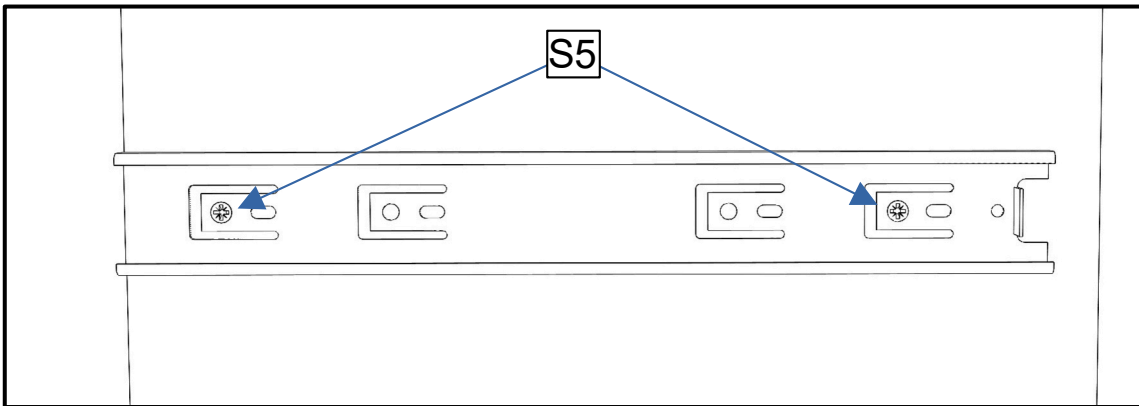
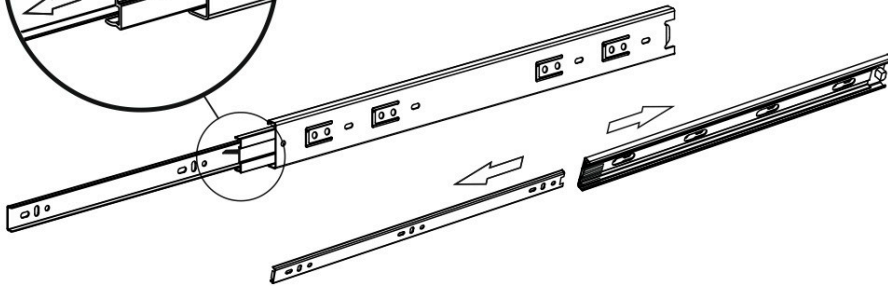
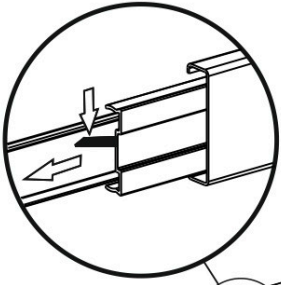
C1	1732x500	1x
C2	1732x500	1x
C3	1470x500	1x
C4	1495x394	2x
C5	800x500	1x
C6	698x160	1x
C7	350x160	2x
C8	734x356	1x
C9	760x500	2x
C10	792x247	1x
C11	371x490	3x
C12	1750x396	2x

1

S5 x 4



S11 x 1



2

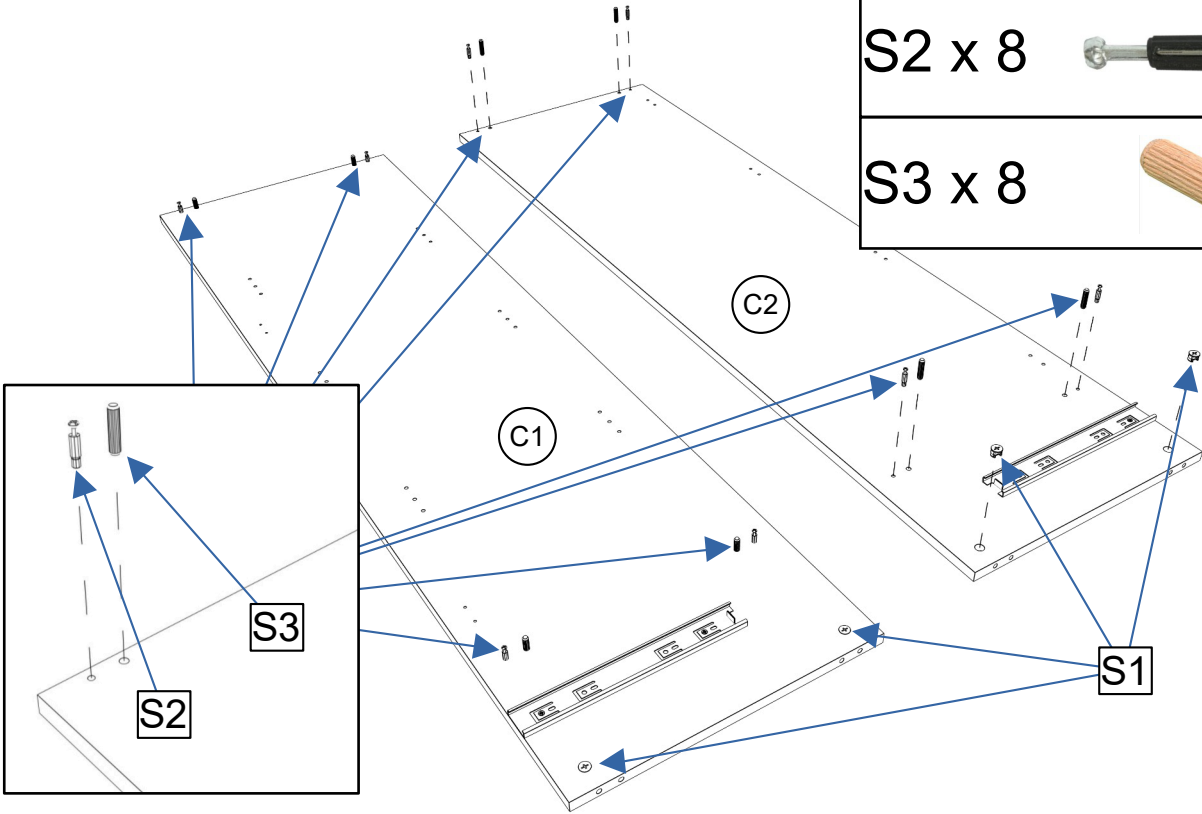
S1 x 4



S2 x 8



S3 x 8



3

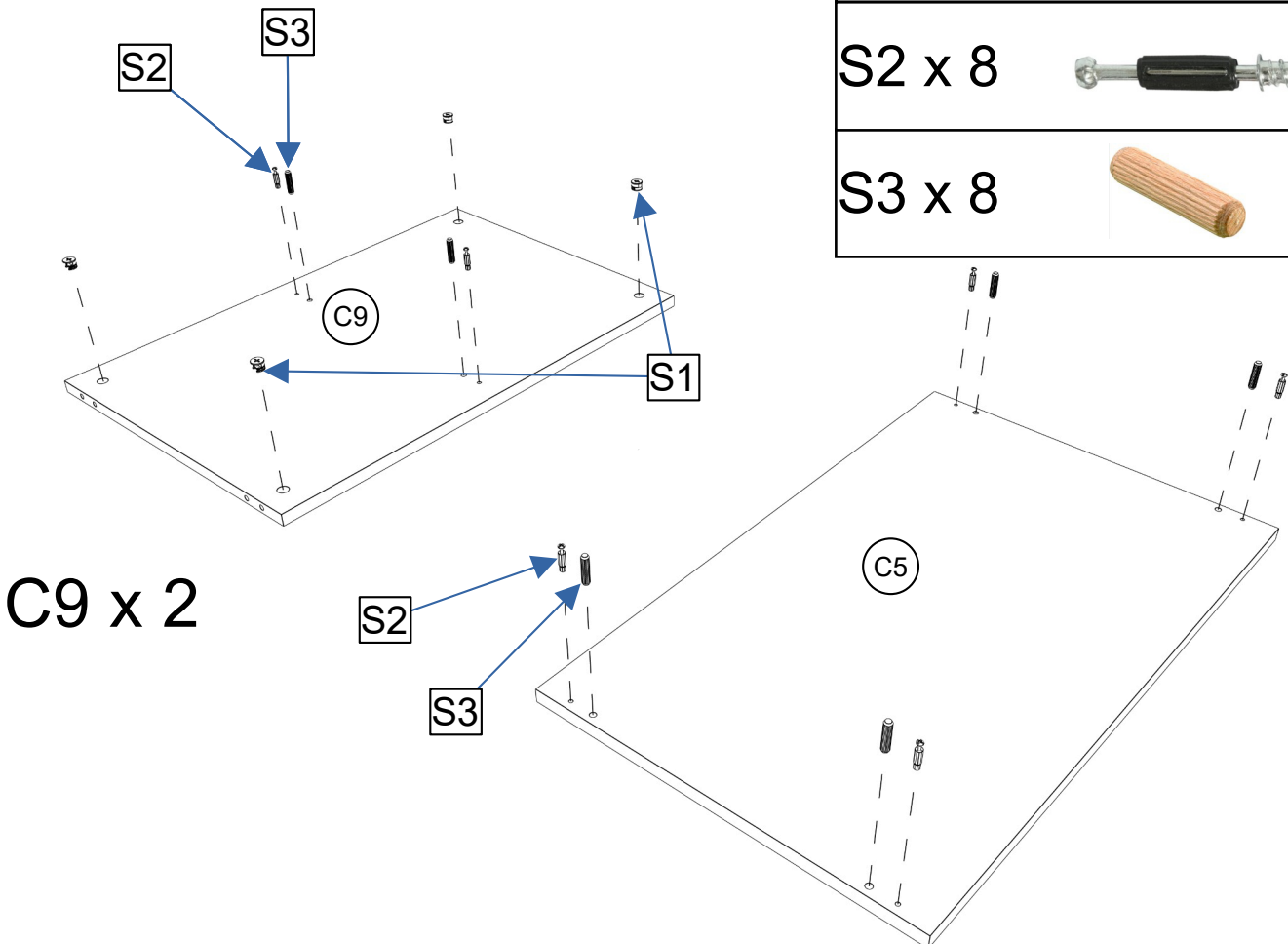
S1 x 8



S2 x 8

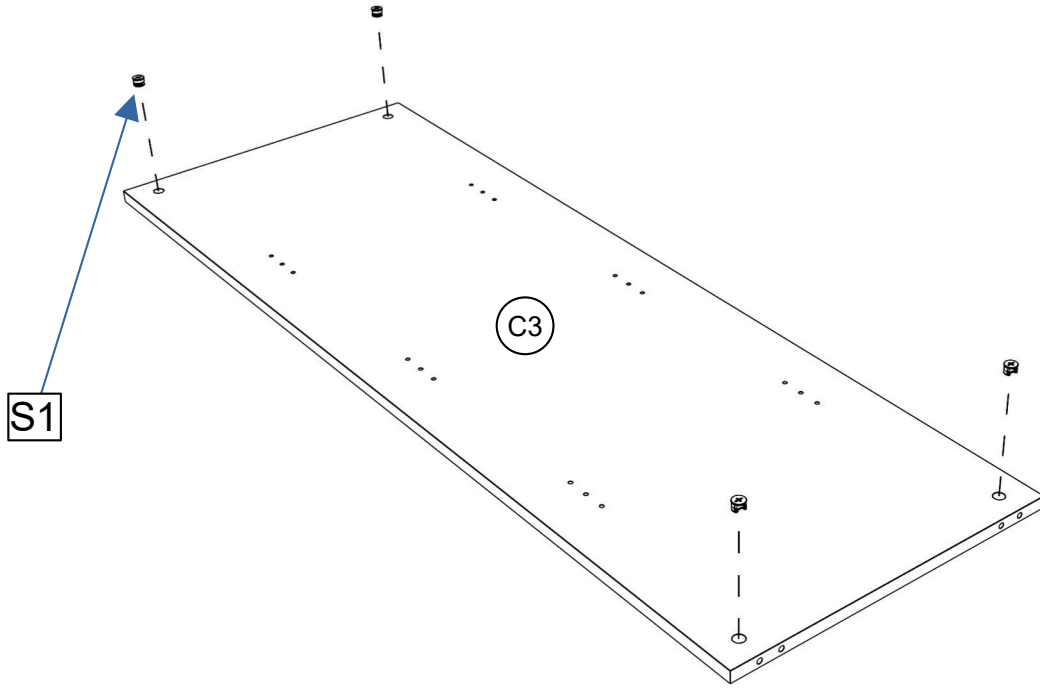


S3 x 8

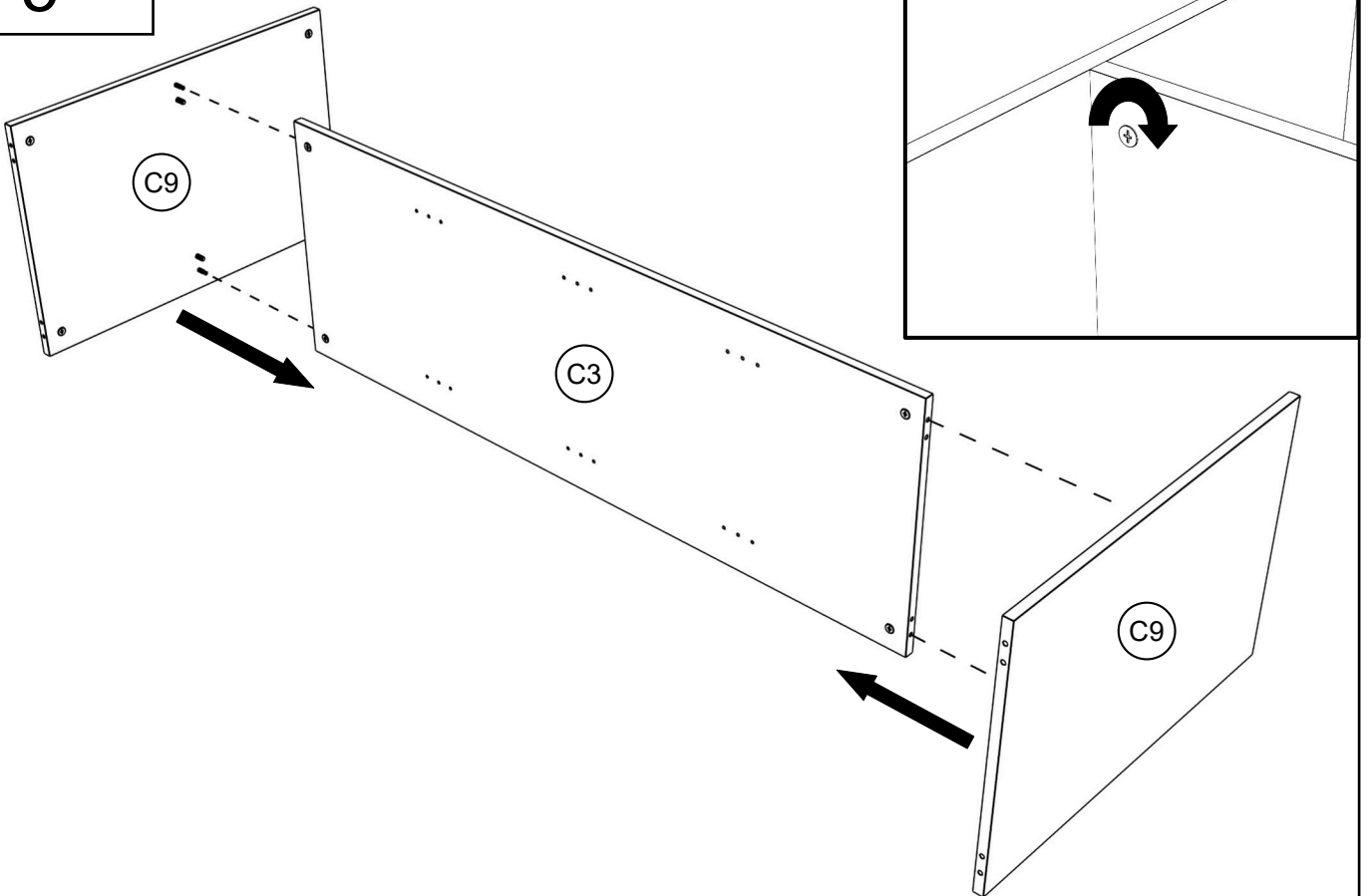


4

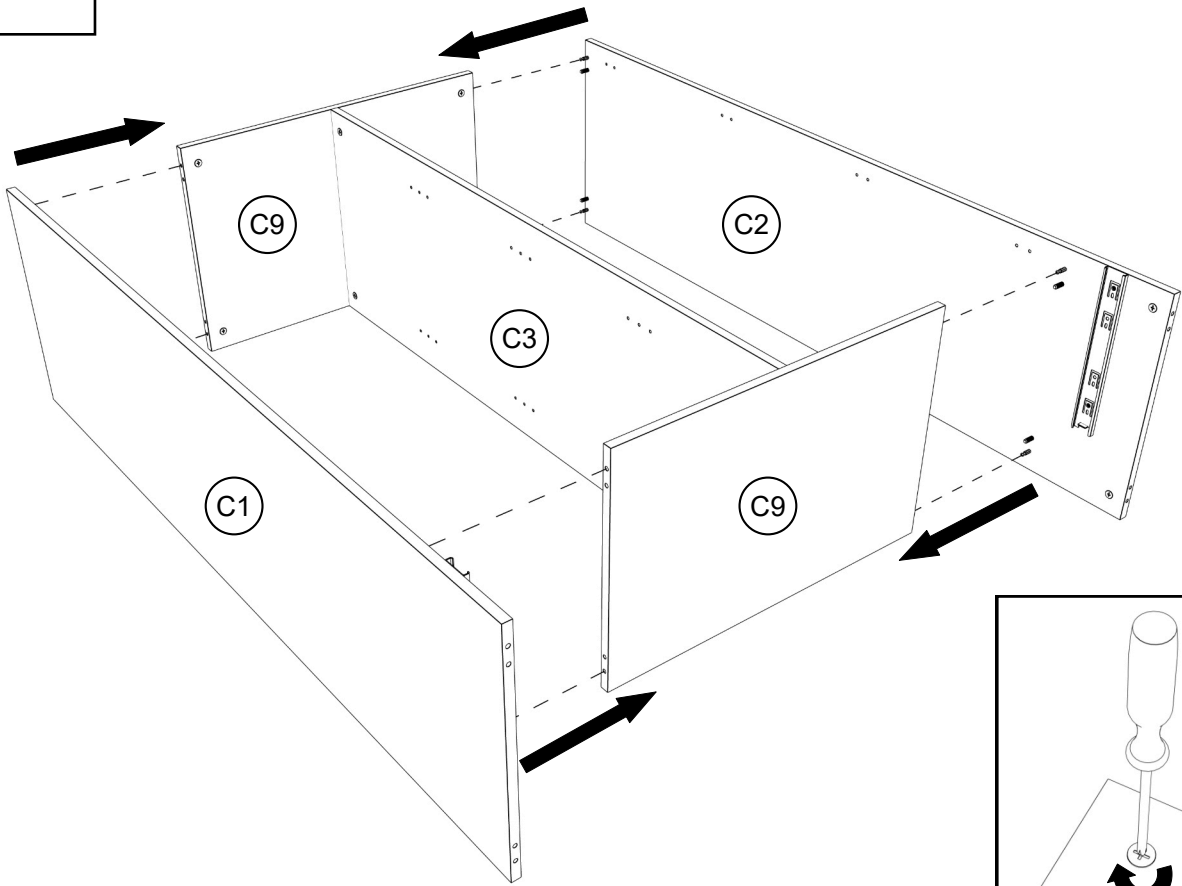
S1 x 4



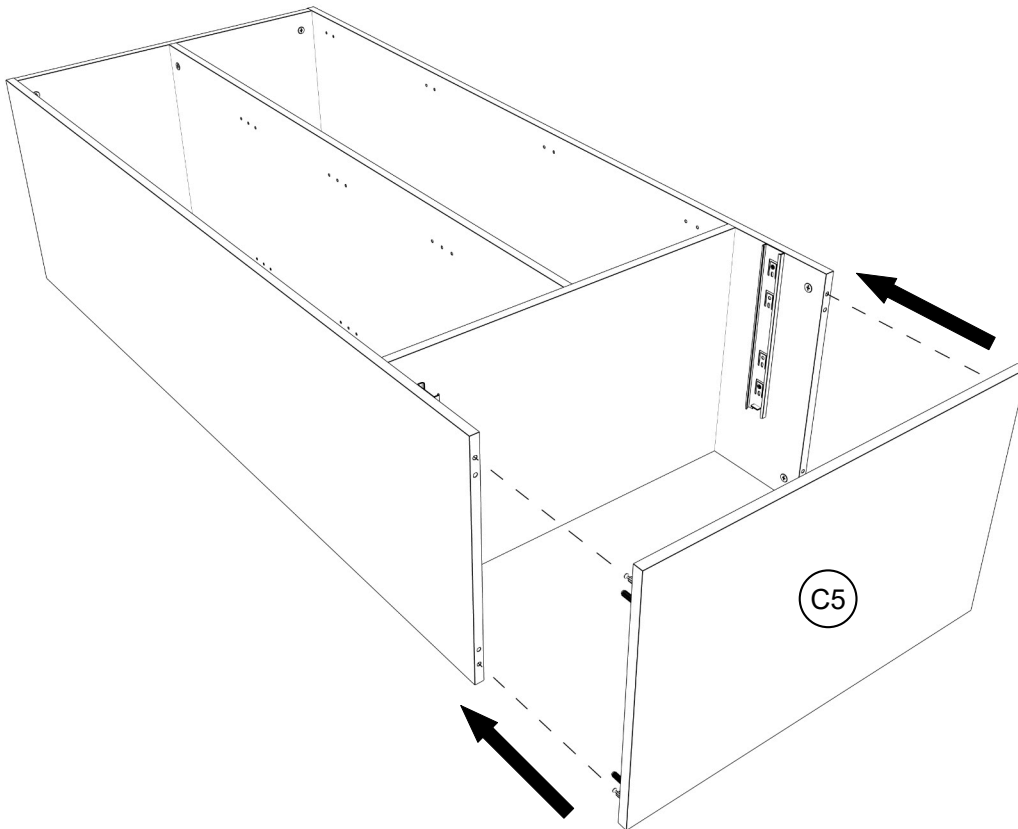
5



6



7

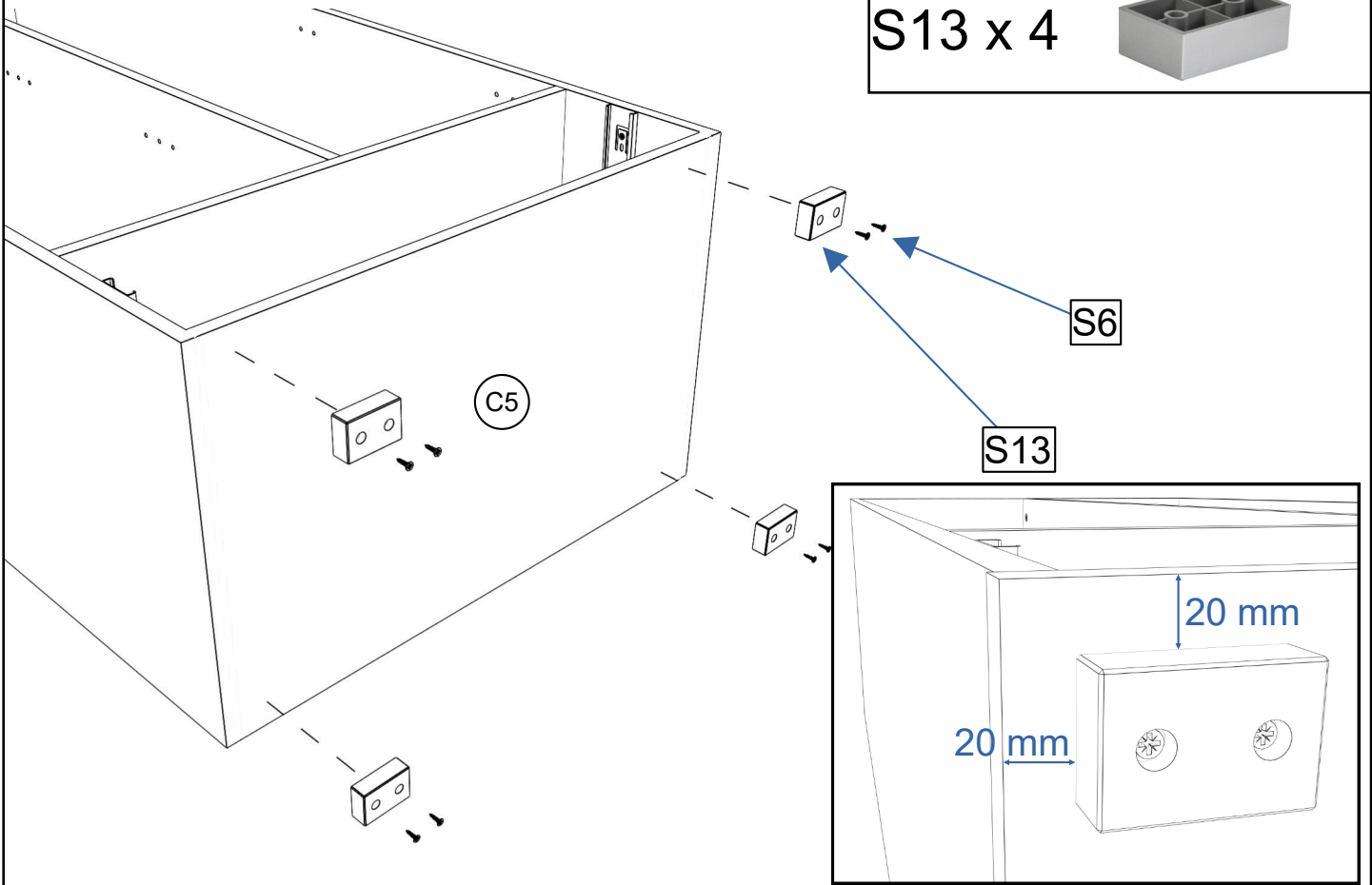


8

S6 x 8

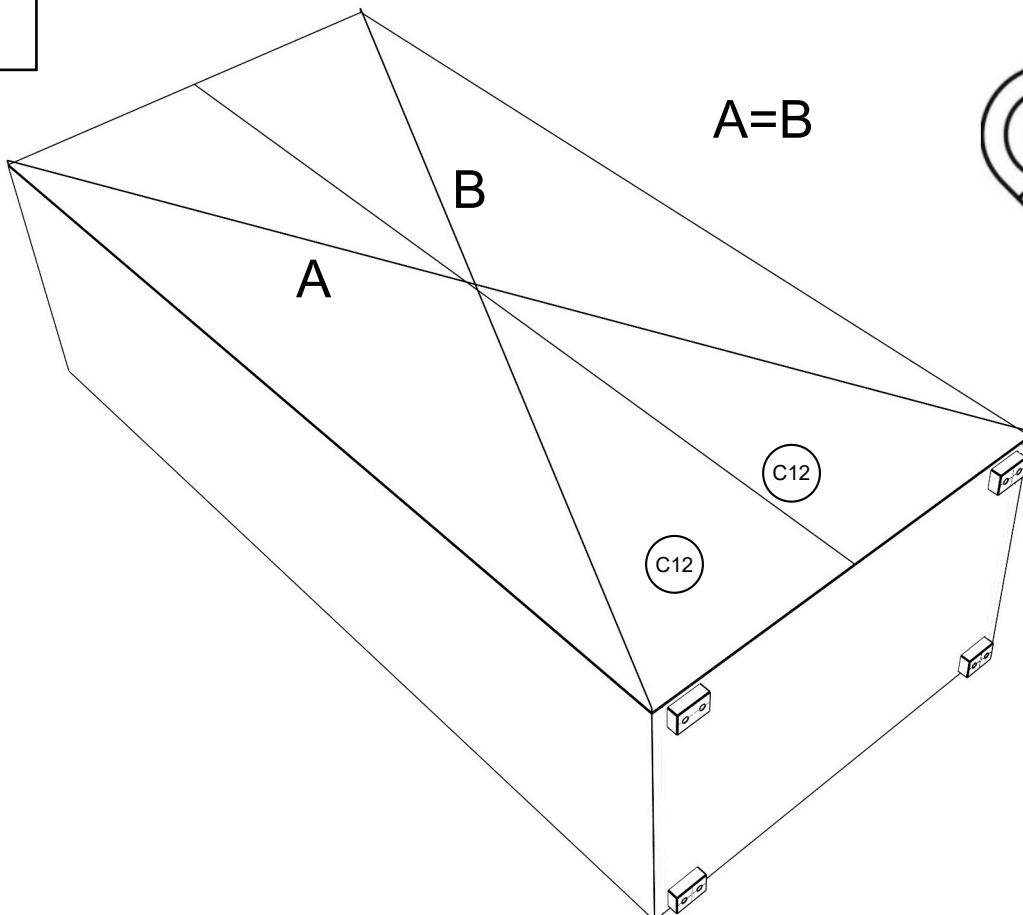


S13 x 4



9

A=B

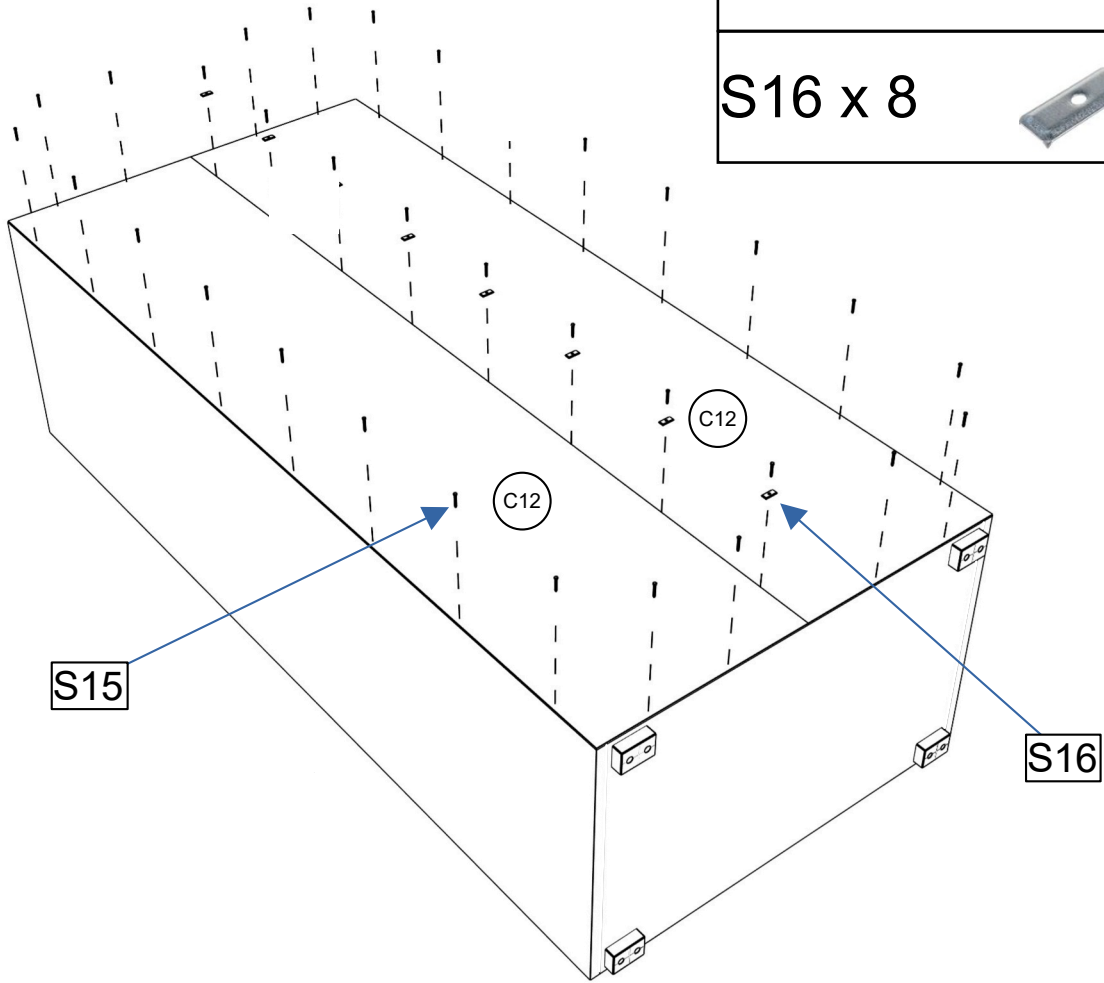


10

S15 x 32



S16 x 8



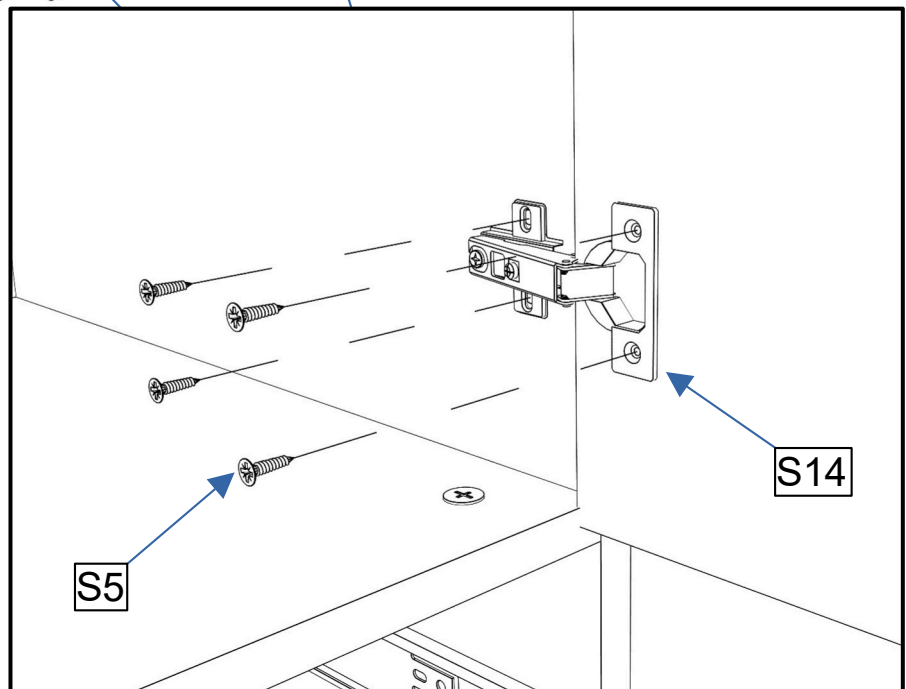
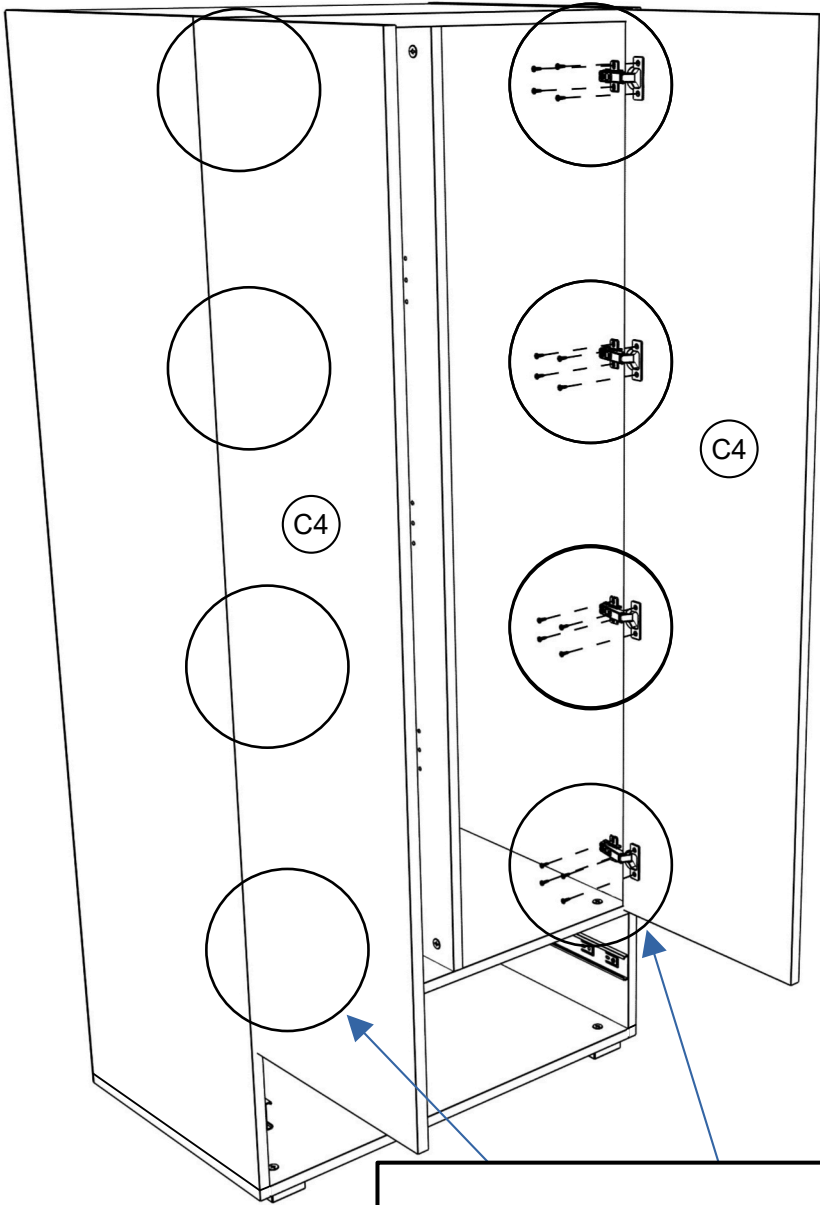


11

S5 x 32



S14 x 8



12

S5 x 8



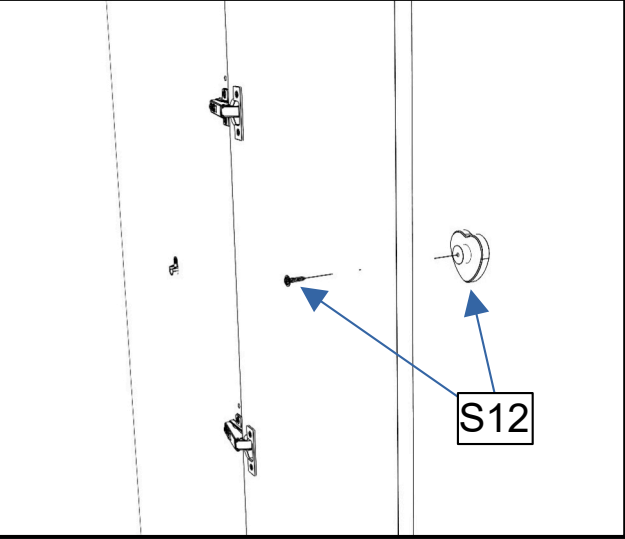
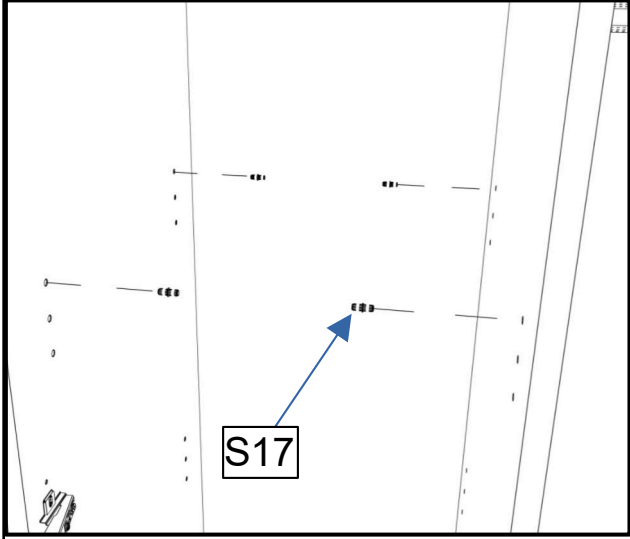
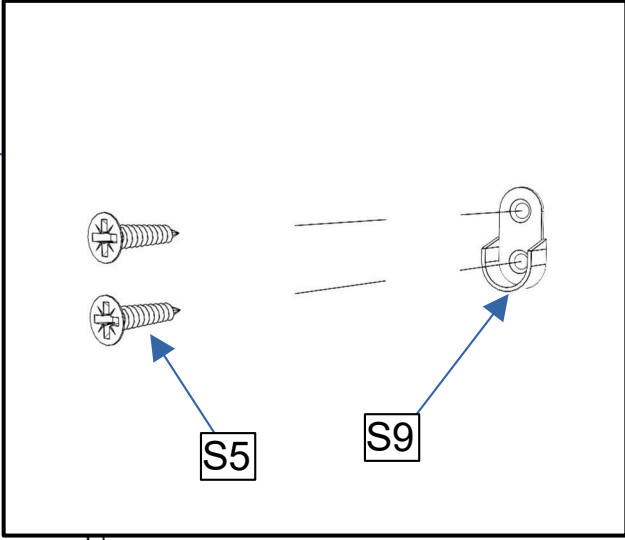
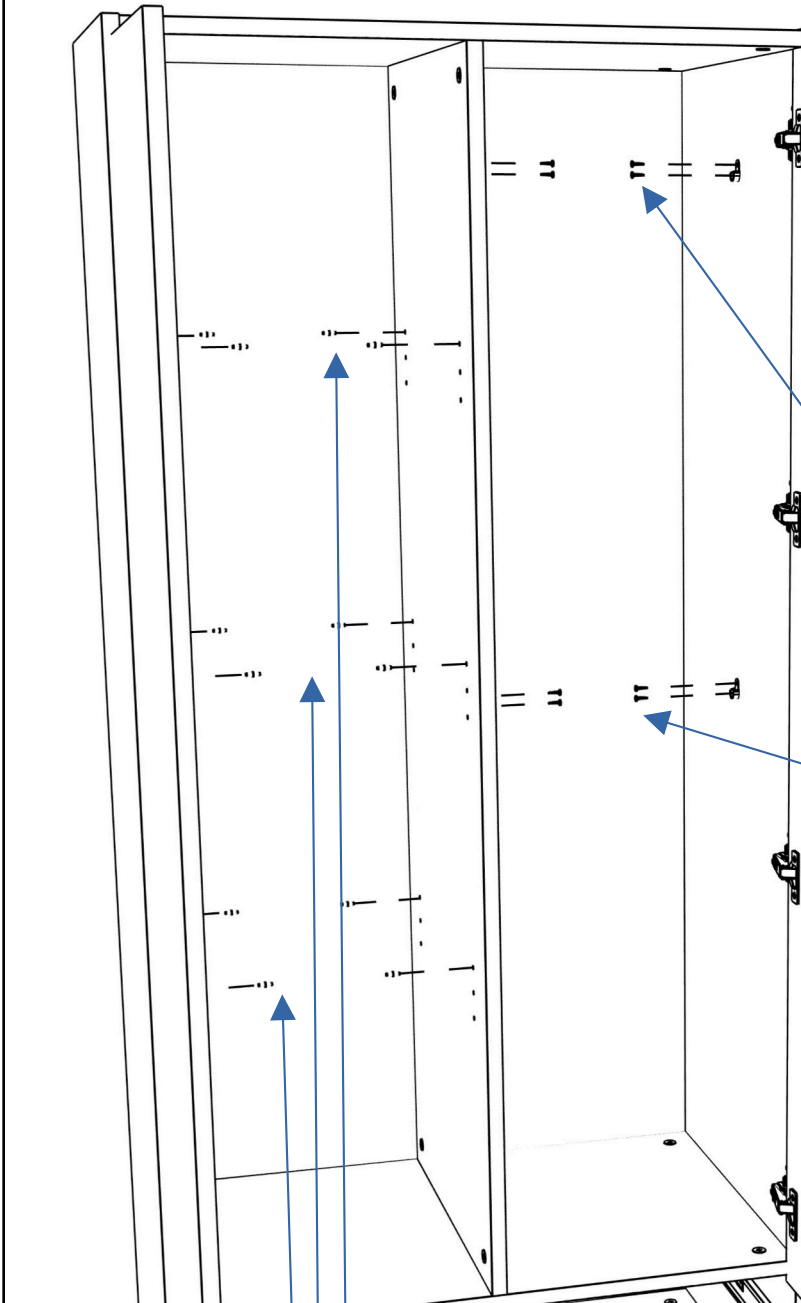
S9 x 4



S17 x 12



S12 x 2



13

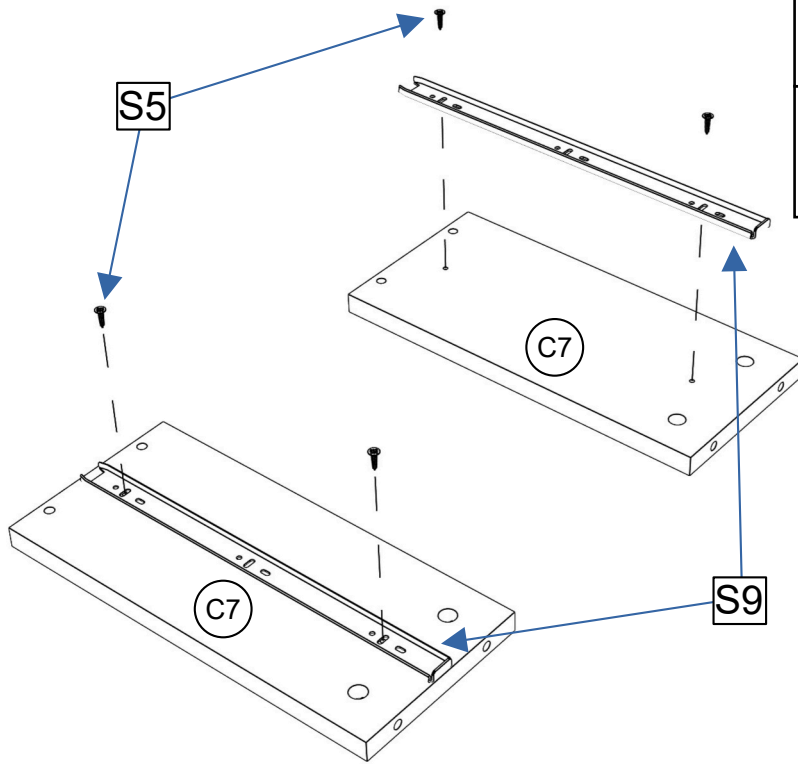
S5 x 4



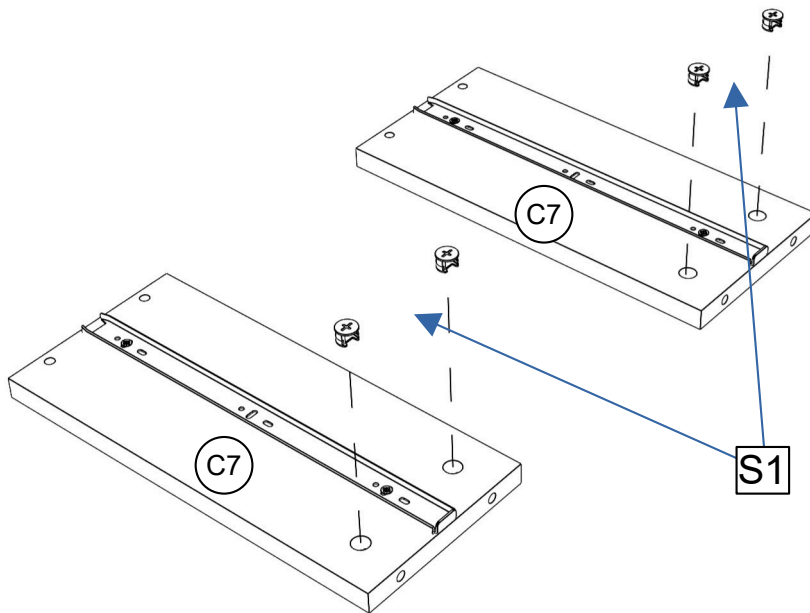
S9 x 1



S1 x 4

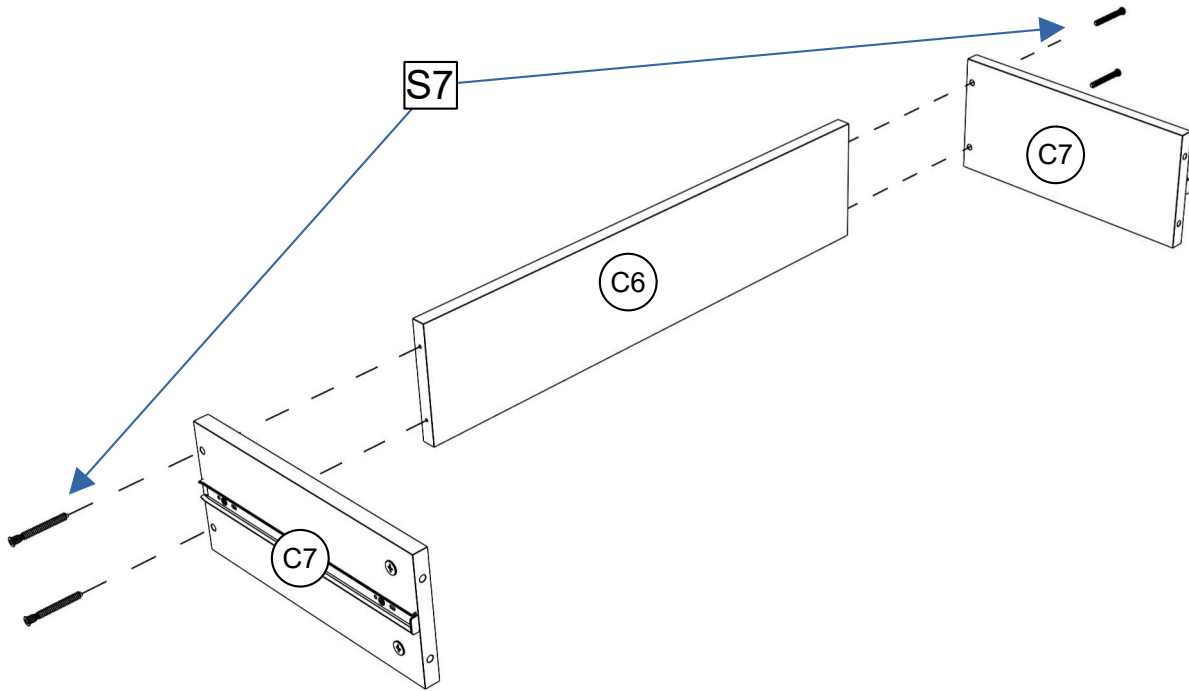


x4



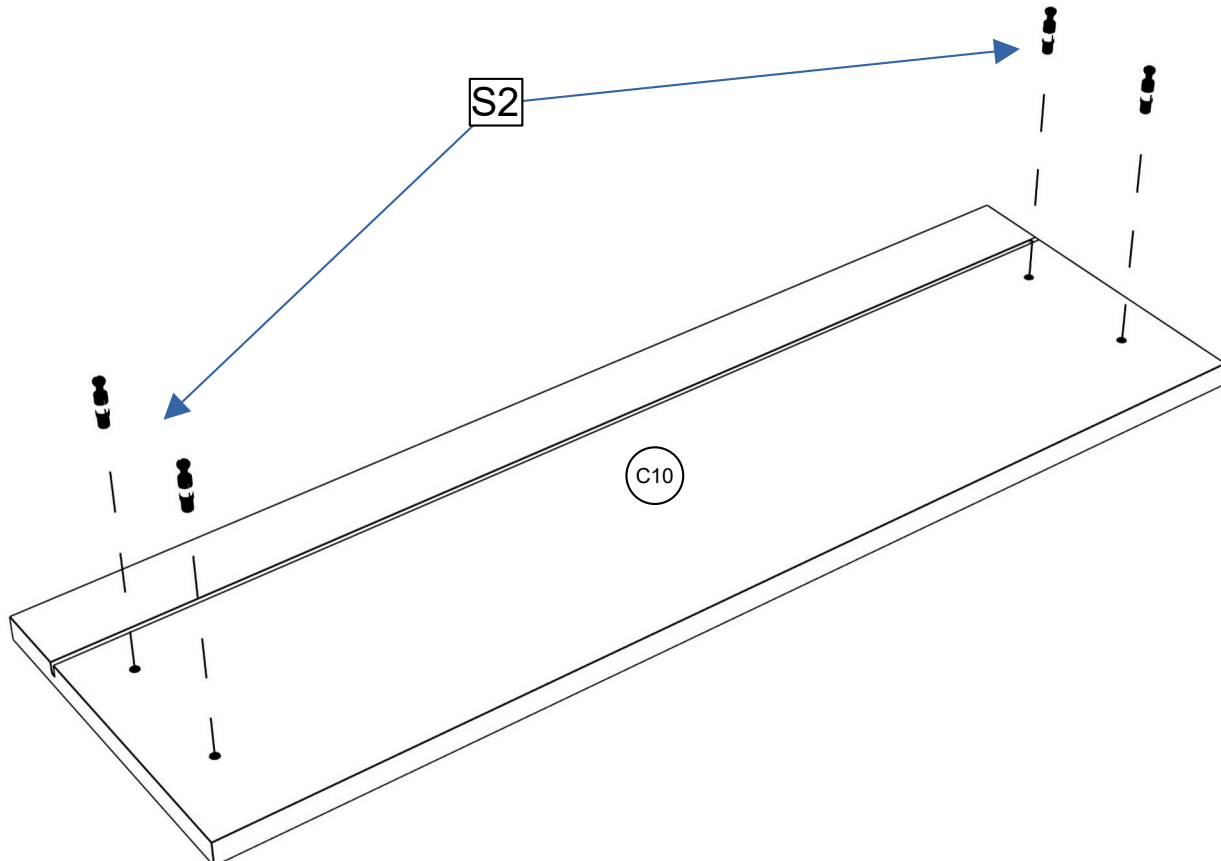
14

S7 x 4

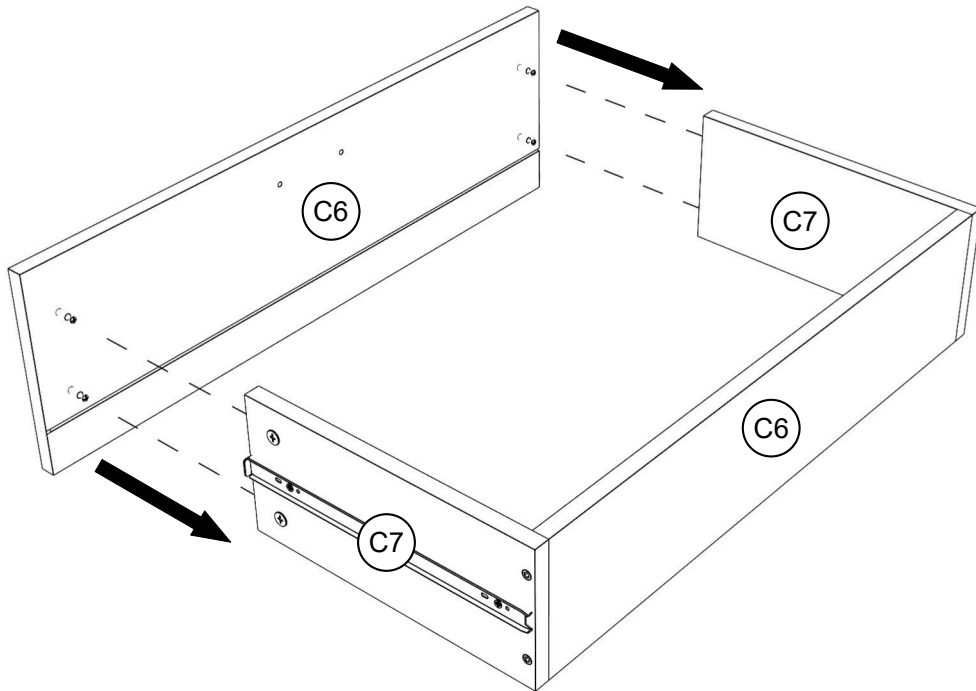


15

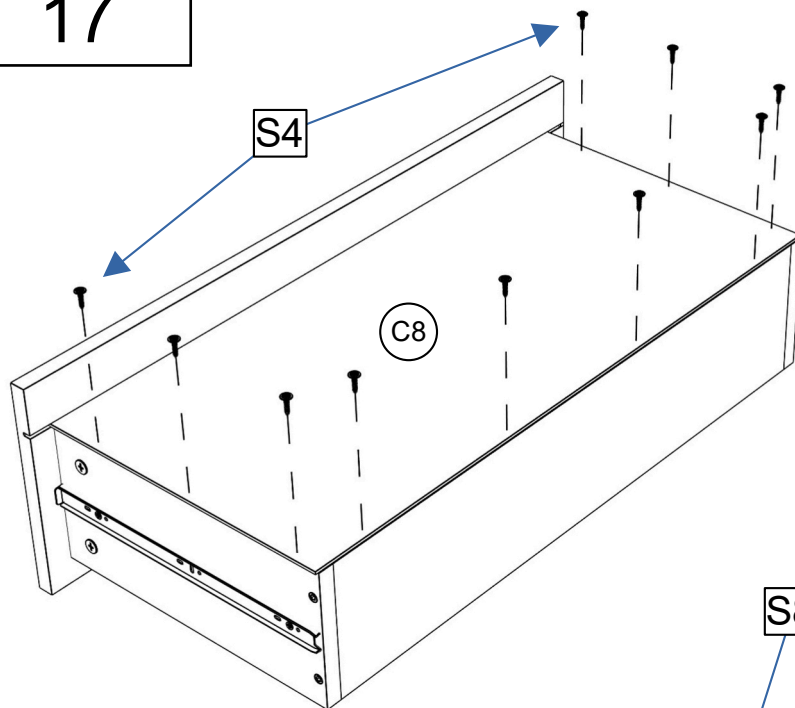
S2 x 4



16



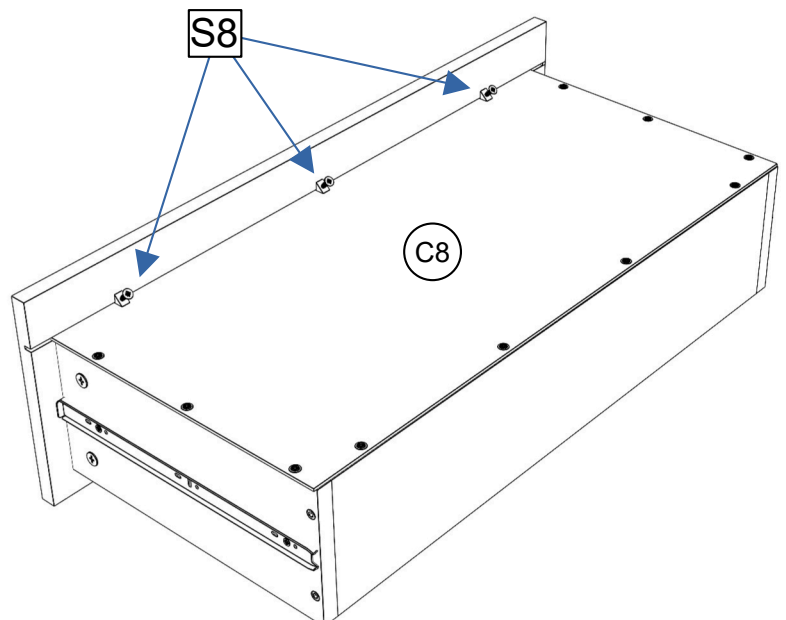
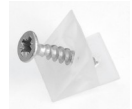
17



S4 x 10

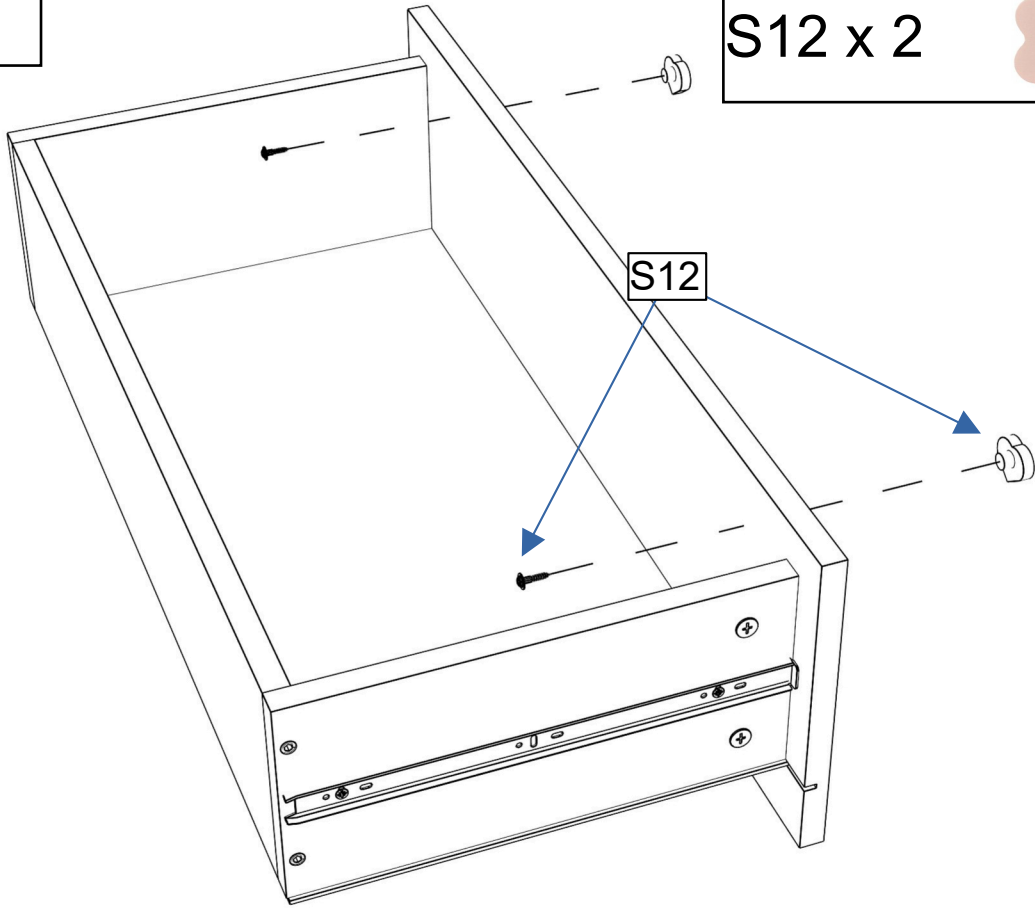


S8 x 3



18

S12 x 2



19

