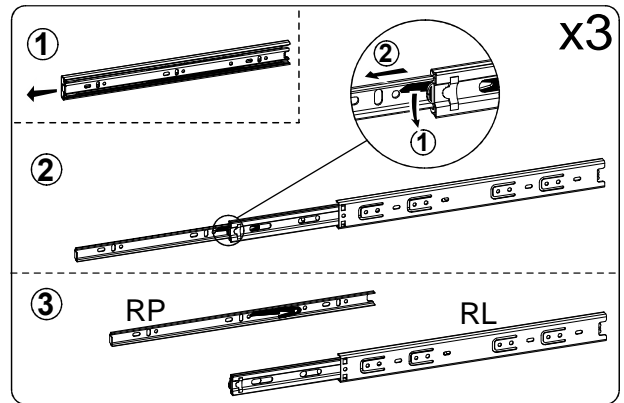
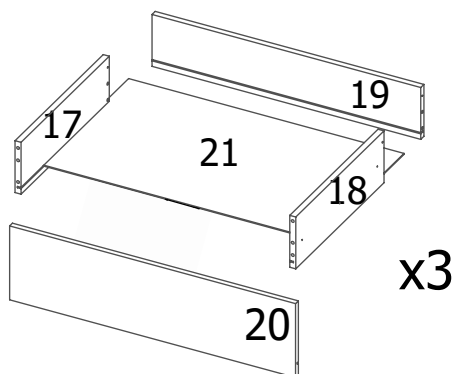
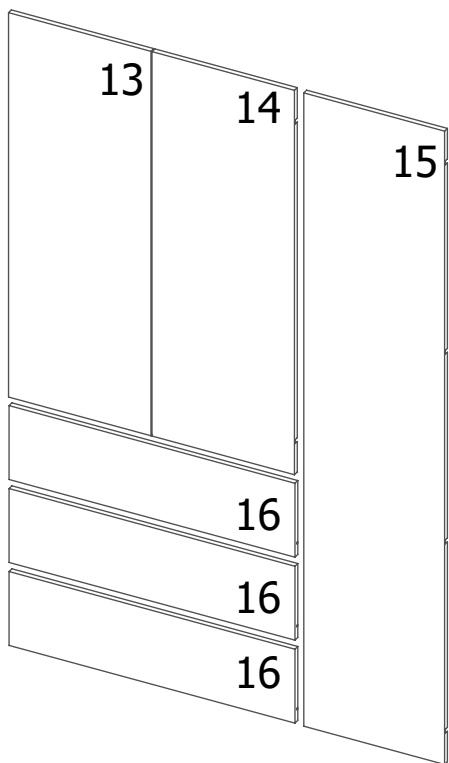
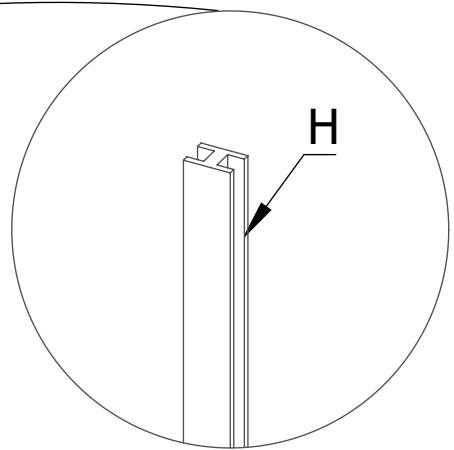
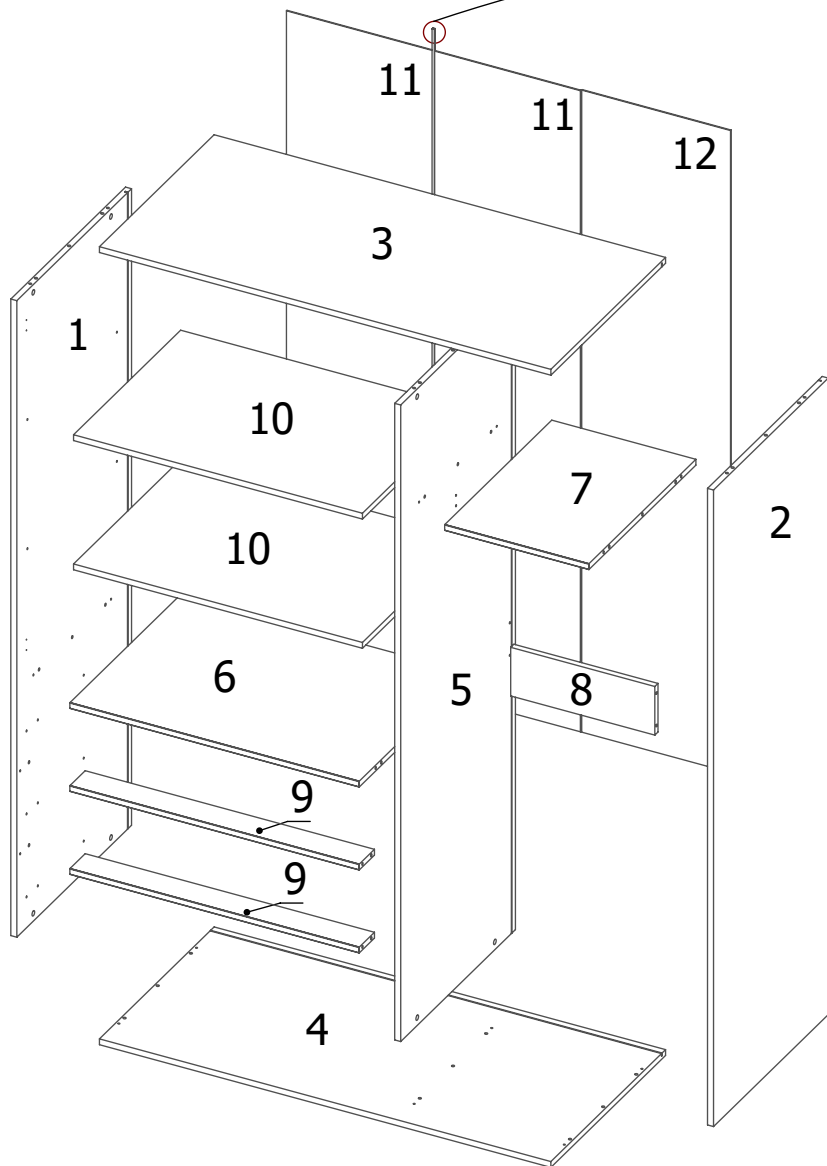
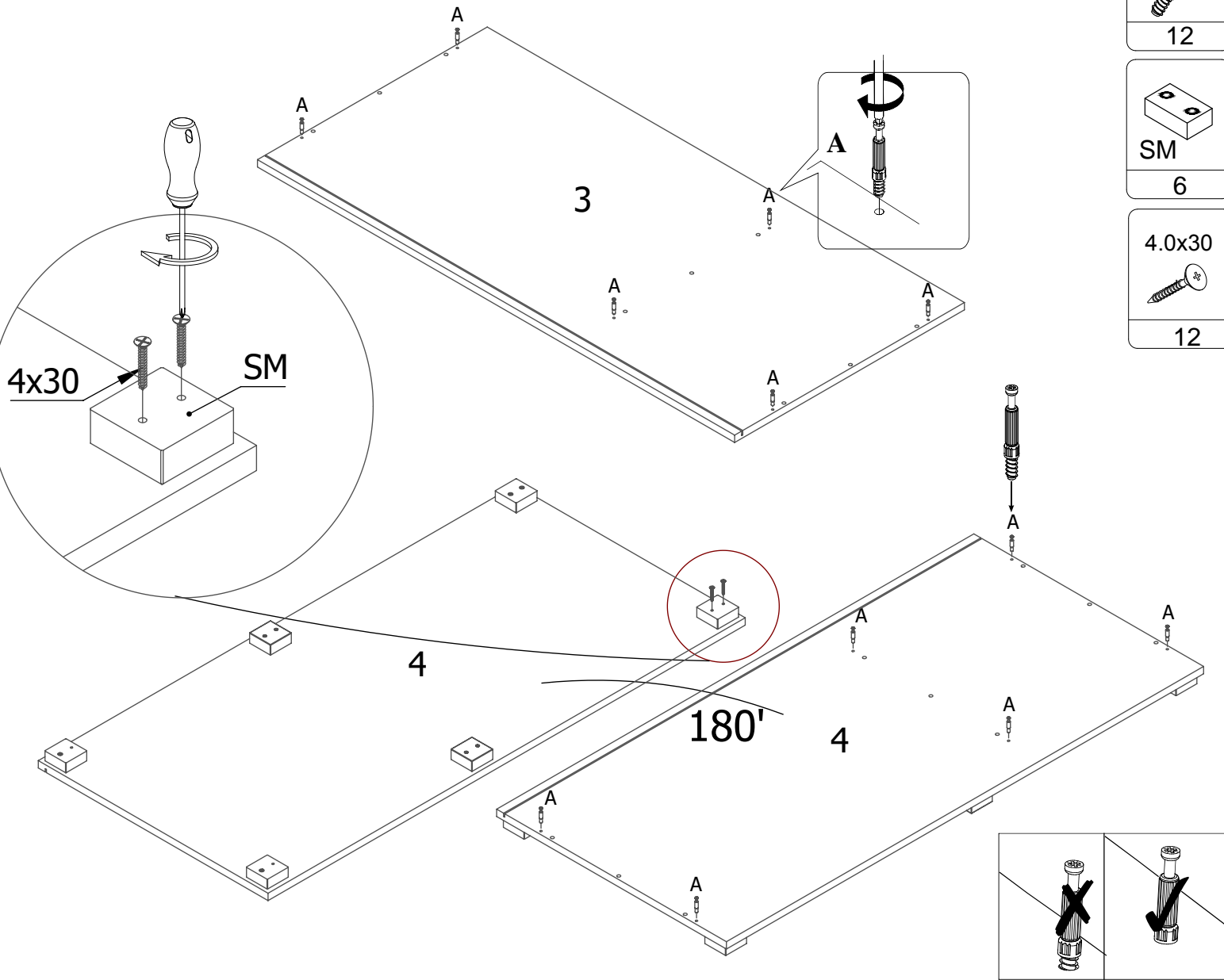



8x30 D 34	A 40	B 40	X 40	Z 8
I 18	O 12	Q 1	SM 6	4.0x30 12
L 8	4x16 H 30	5.0x13 F1 24	UM 5	S 8
U 2	WS 3	3x13 H3 6		

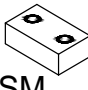







- 

A

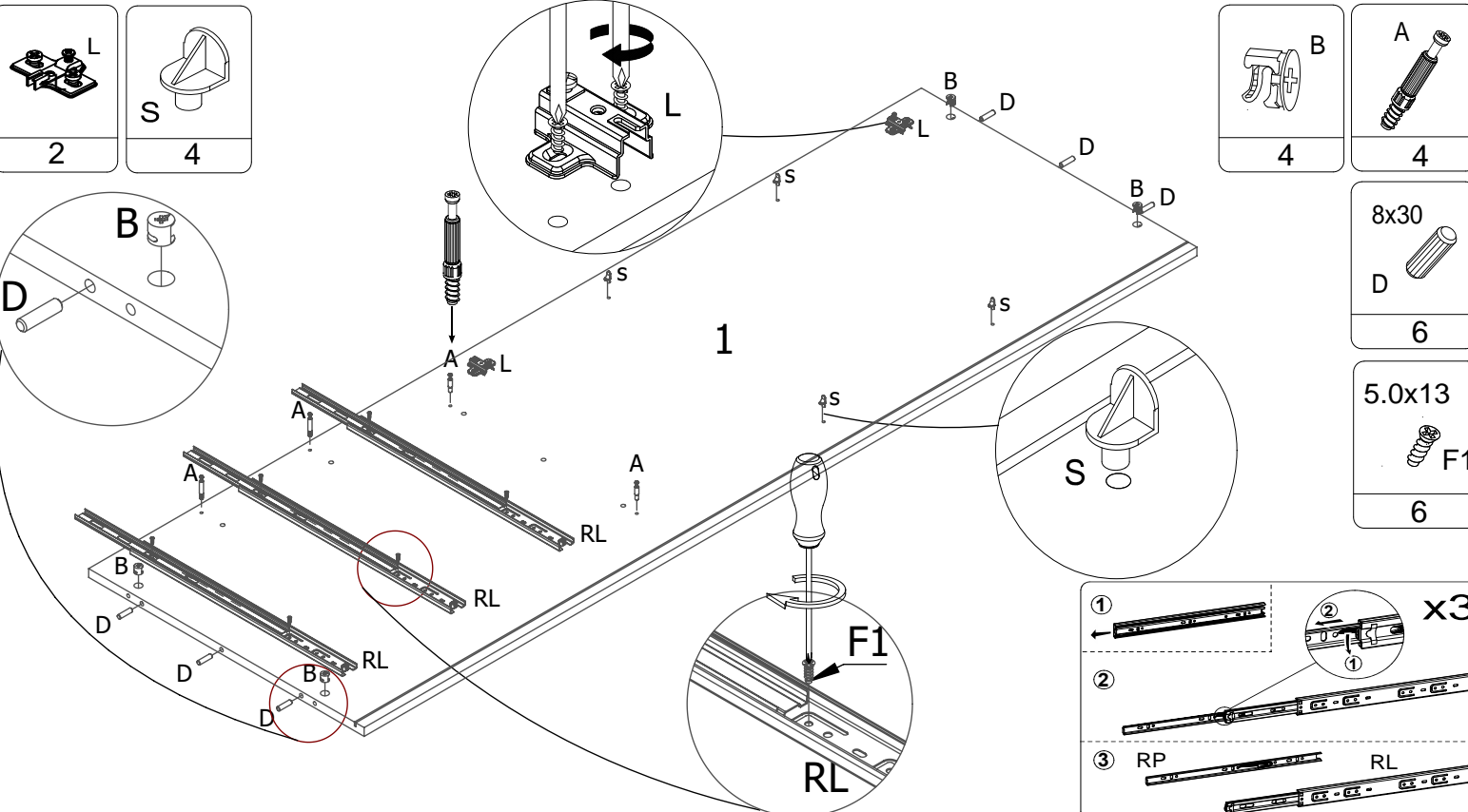
12
- 

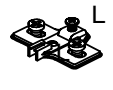
SM

6
- 

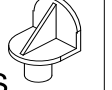
4x30

12

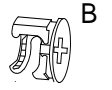


- 


L

2
- 


S

4
- 


B

4
- 

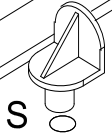
A

4
- 


D

6
- 


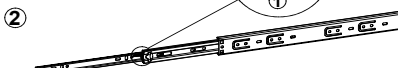
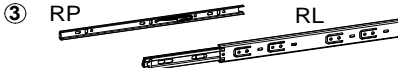
D

6
- 

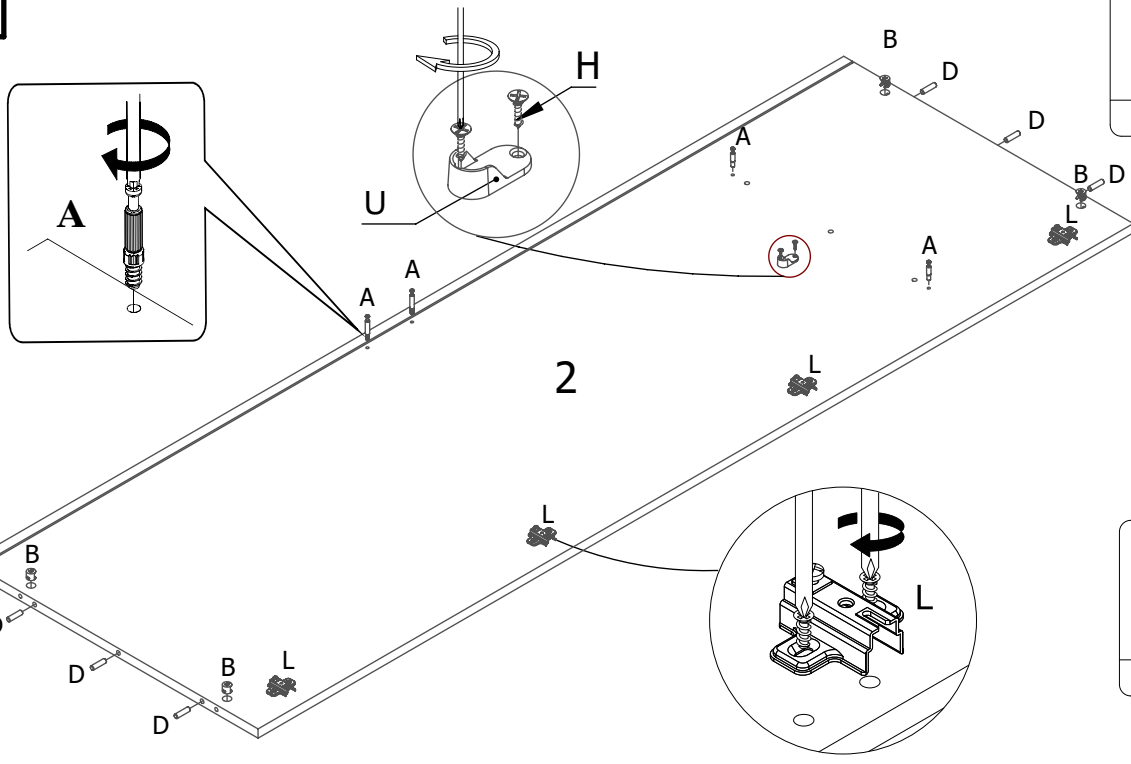
S

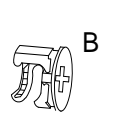
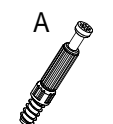
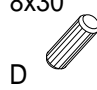

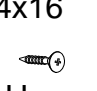

6
- 

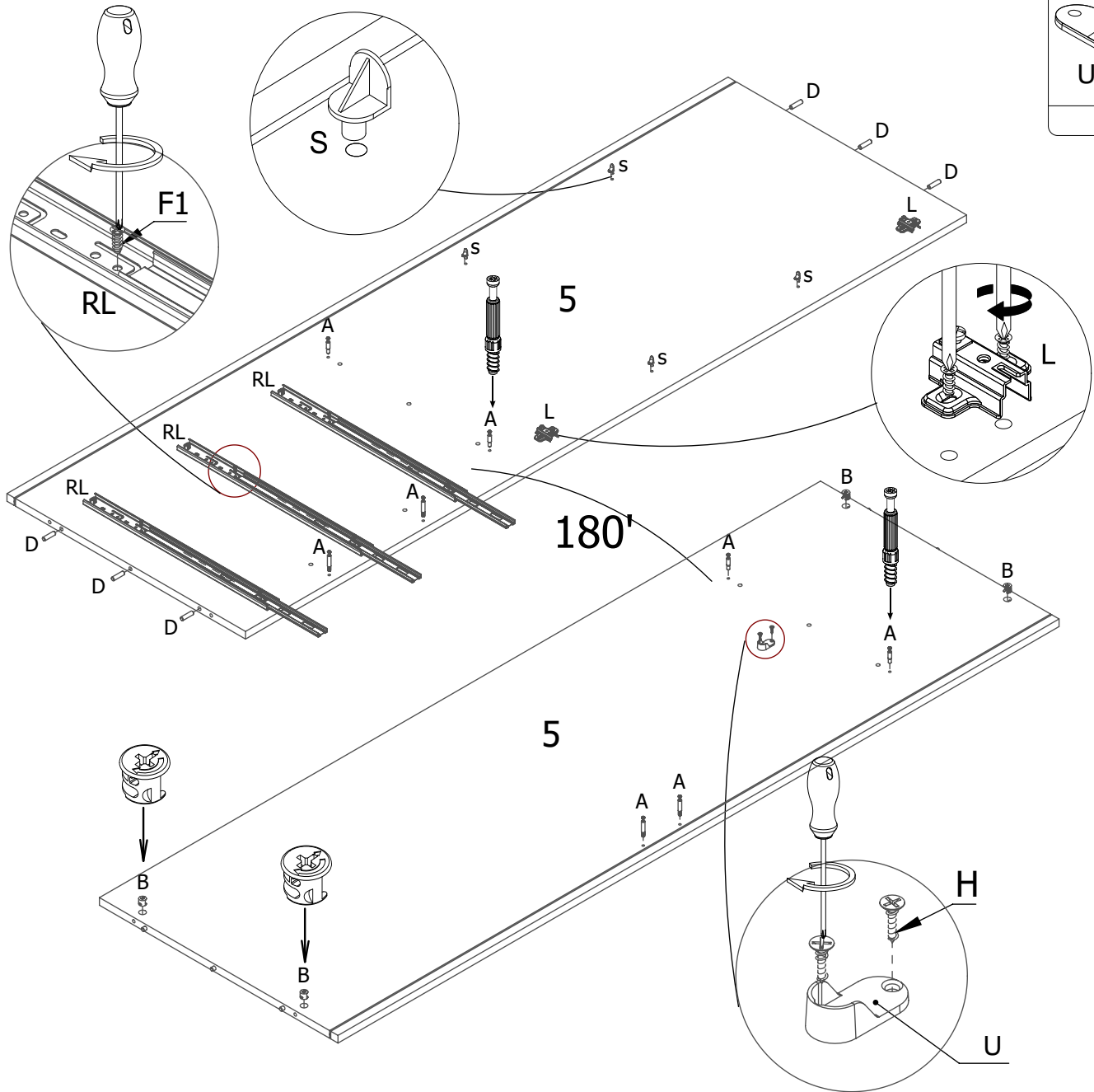
F1



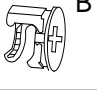
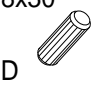




6
- 



x3



- | | | | |
|---|----------|---|----------|
|  | B |  | A |
| 4 | | 4 | |
|  | D |  | L |
| 6 | | 4 | |
|  | H |  | U |
| 2 | | 1 | |



- | | | | |
|---|-----------|---|----------|
|  | U |  | A |
| 1 | | 8 | |
|  | B |  | D |
| 4 | | 6 | |
|  | F1 |  | S |
| 6 | | 4 | |
|  | L |  | H |
| 2 | | 2 | |

8x30

D

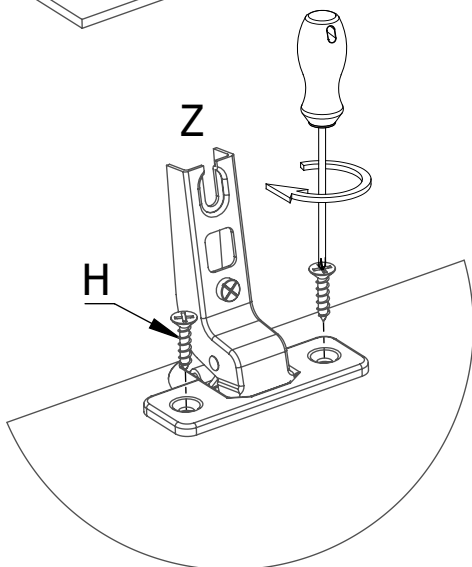
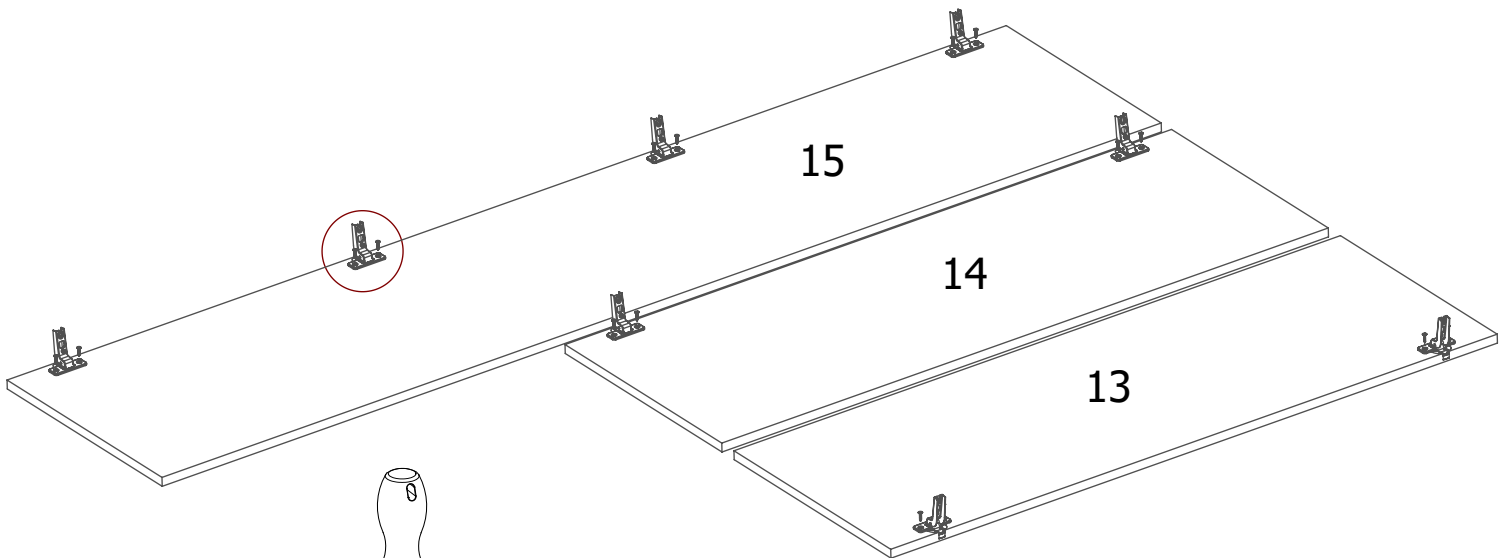
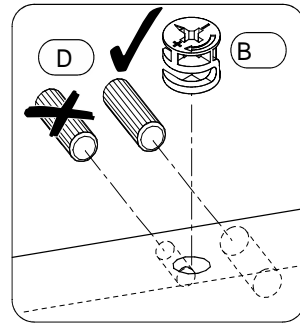
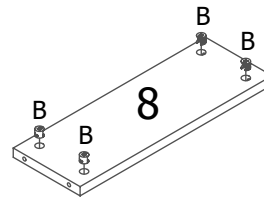
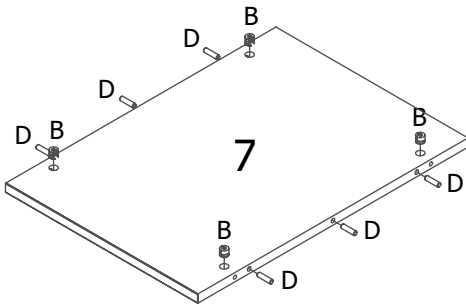
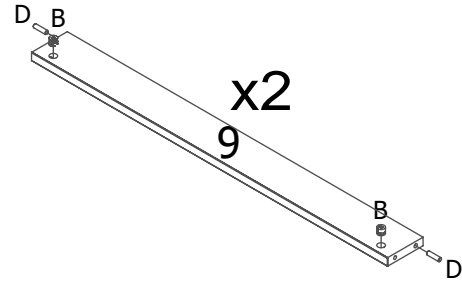
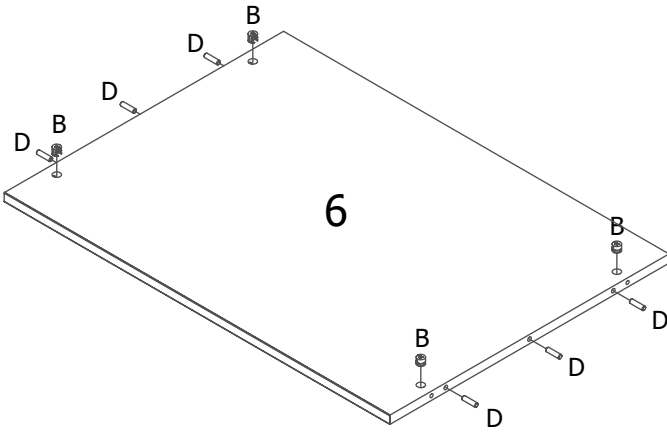


16

B



16

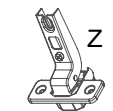


4x16

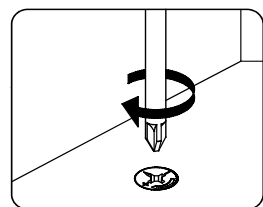
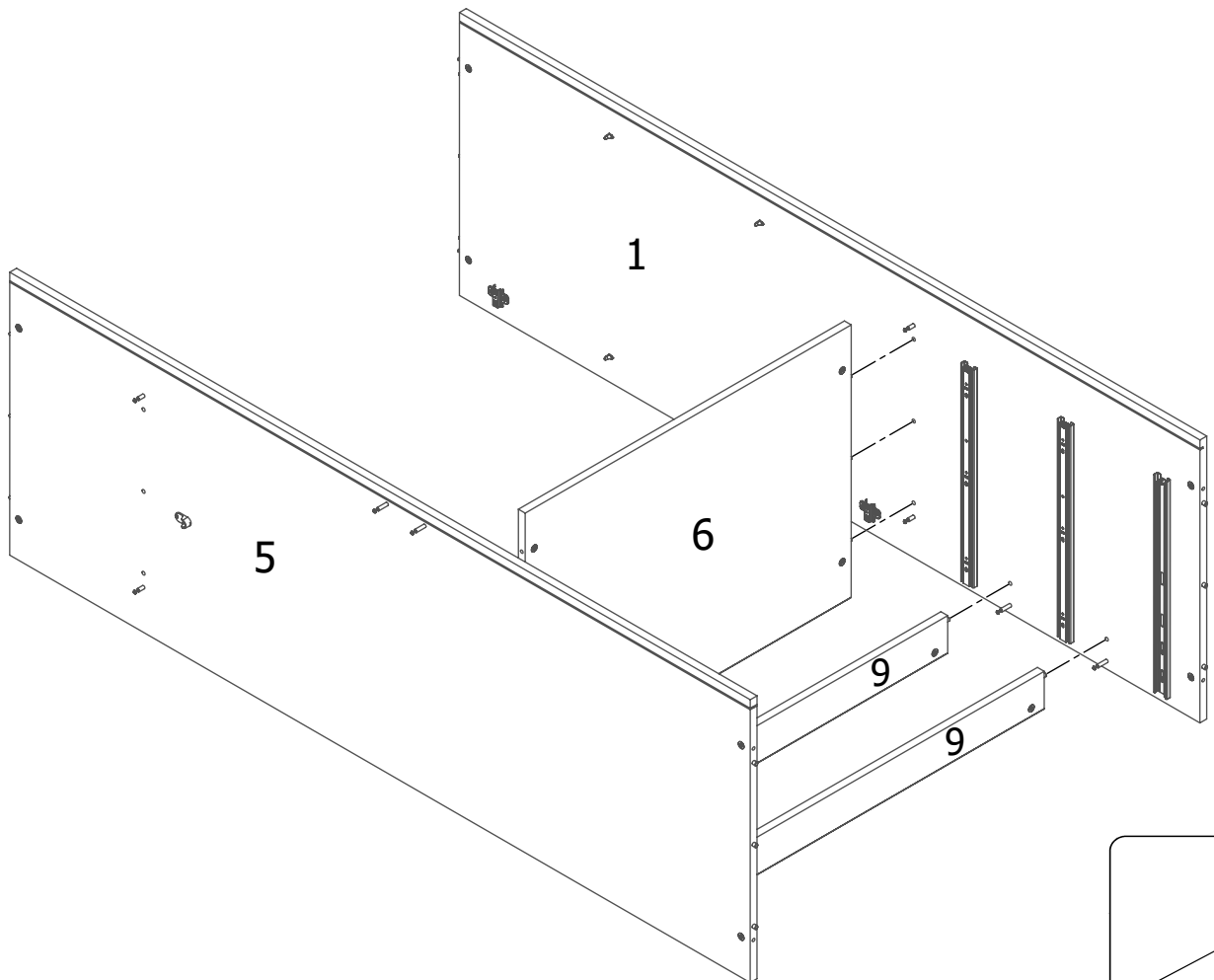
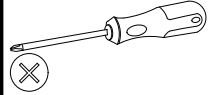
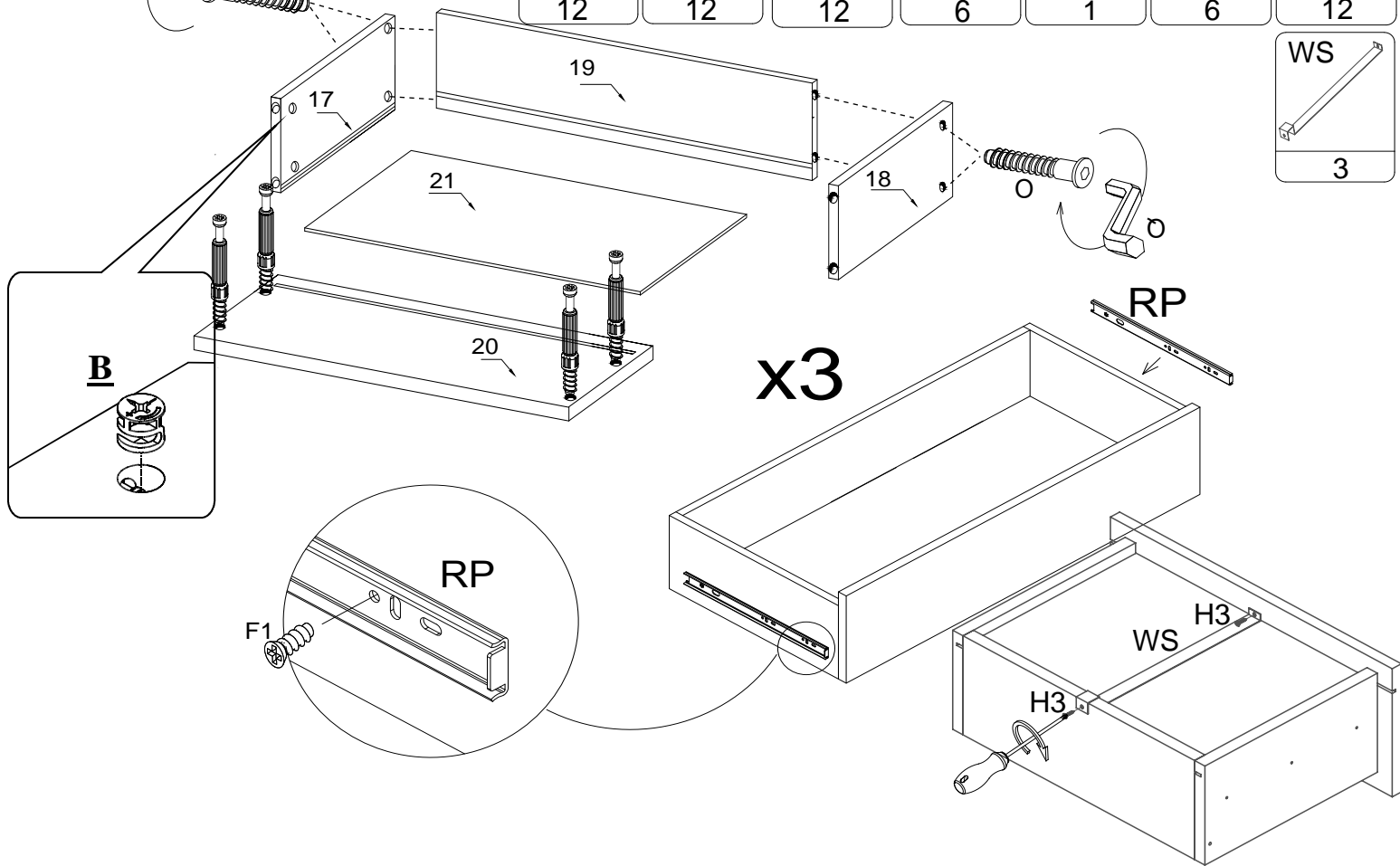
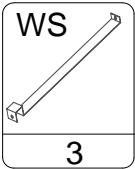
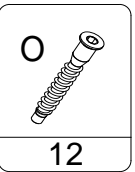
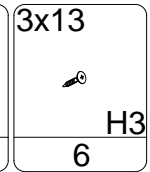
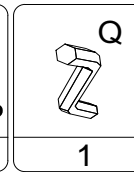
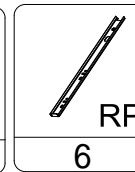
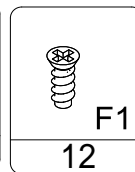
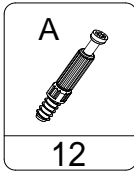
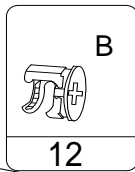
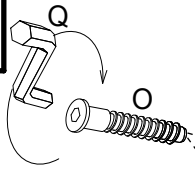


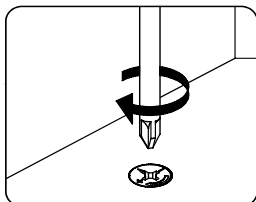
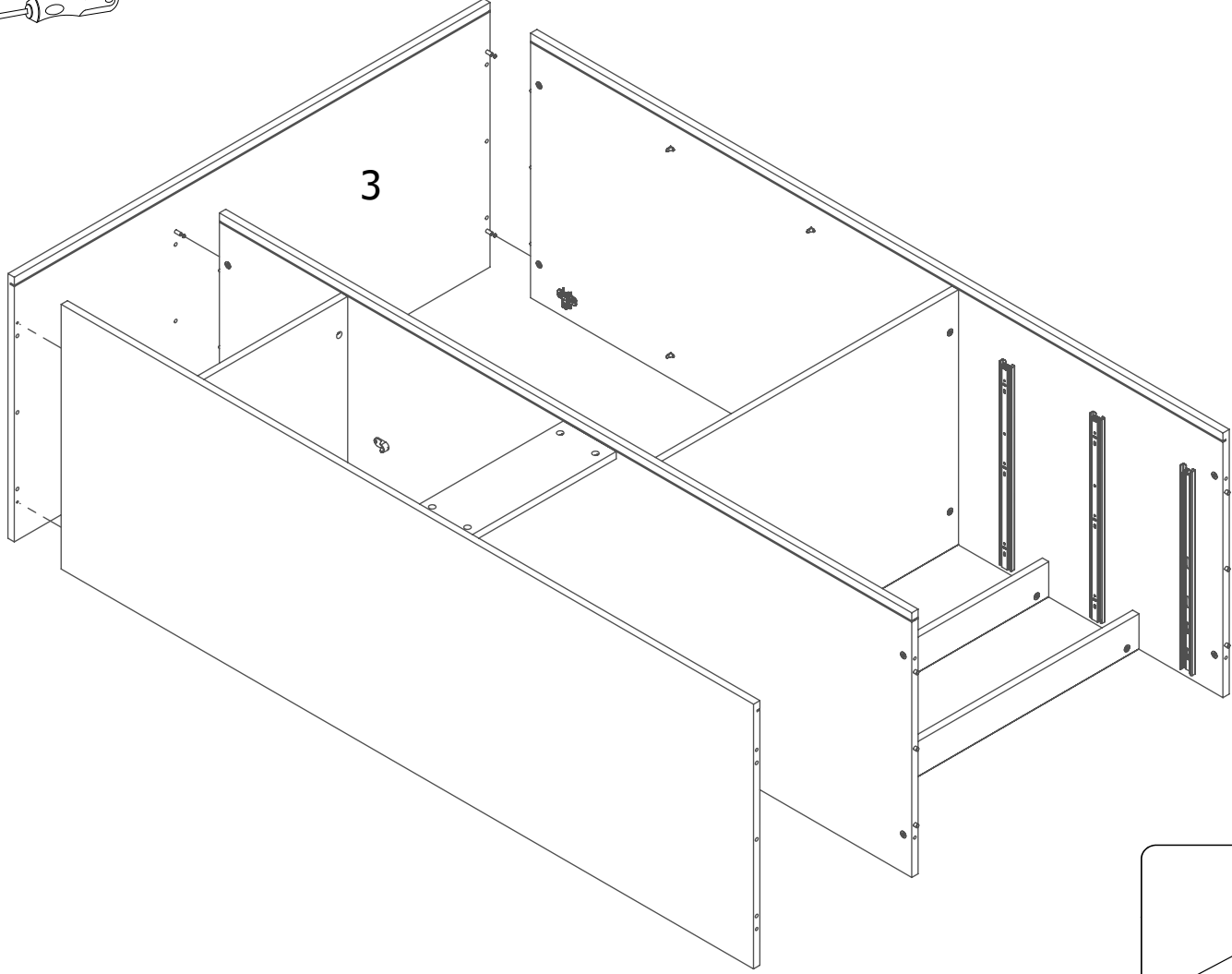
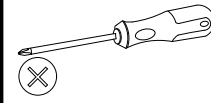
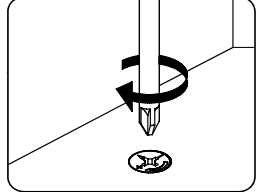
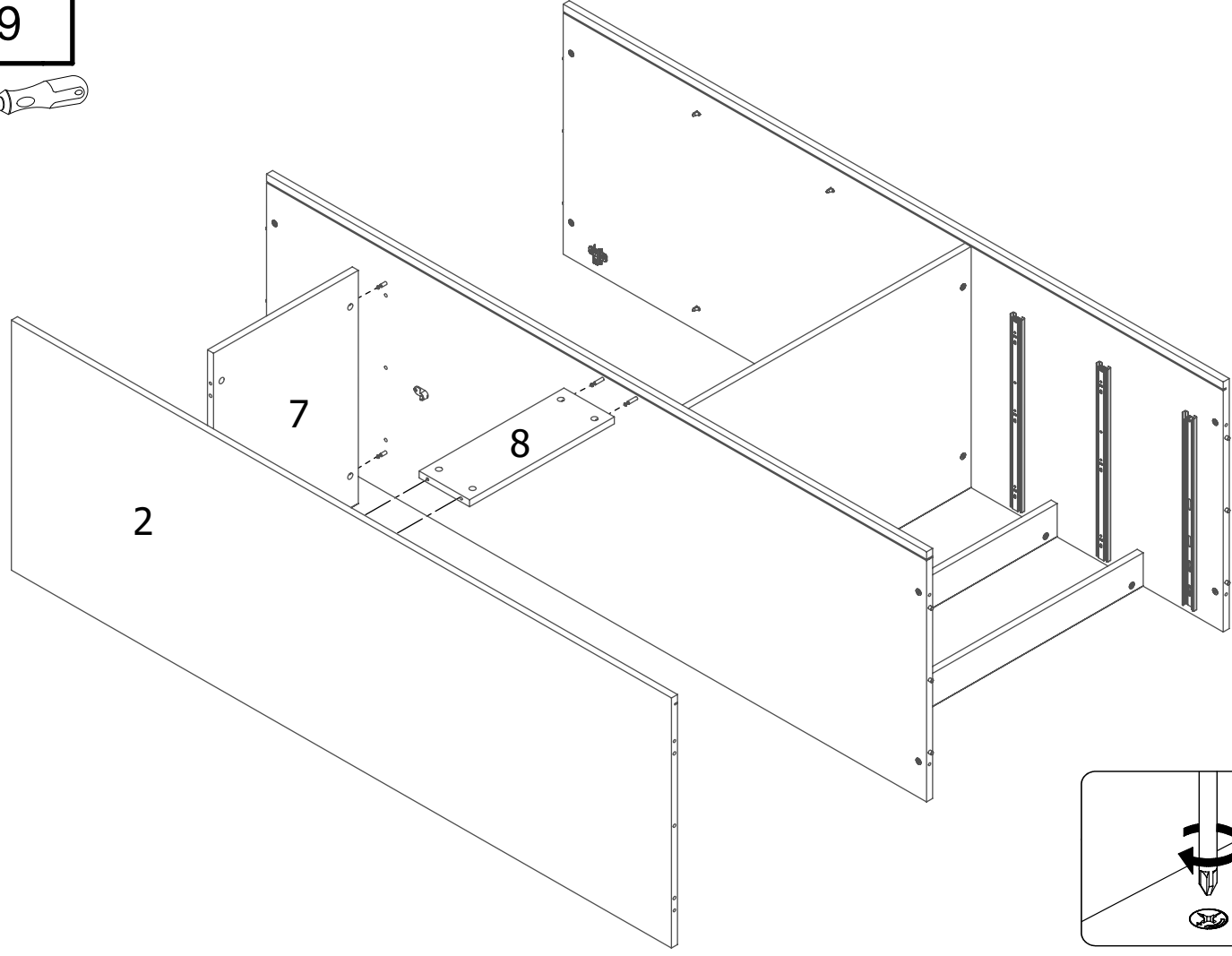
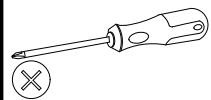
H

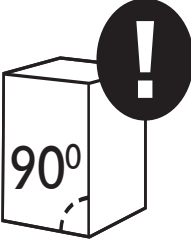
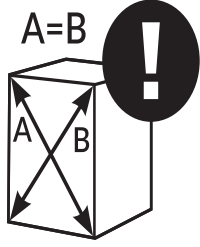
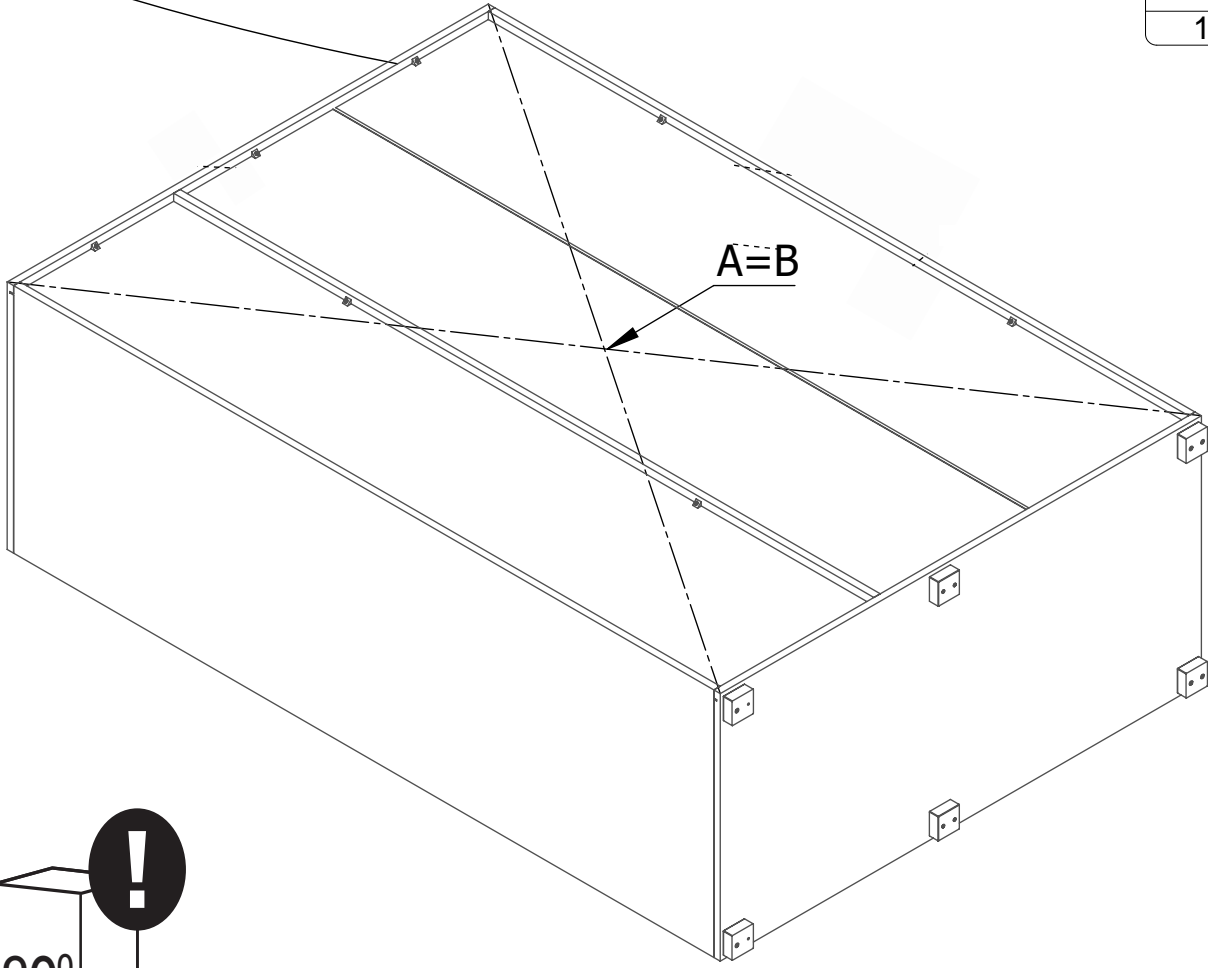
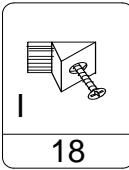
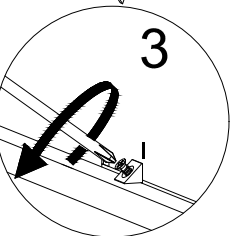
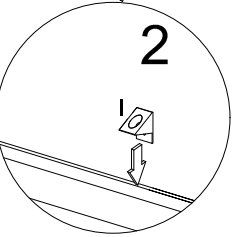
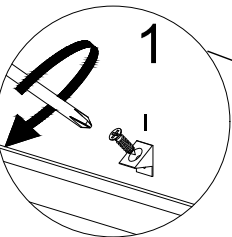
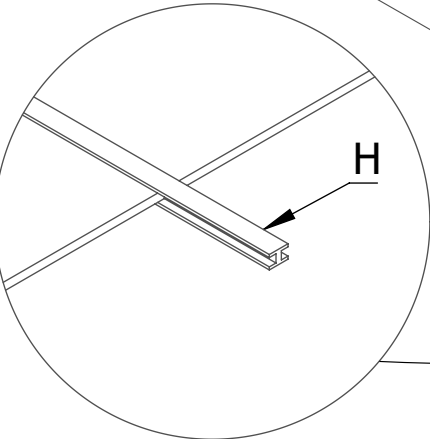
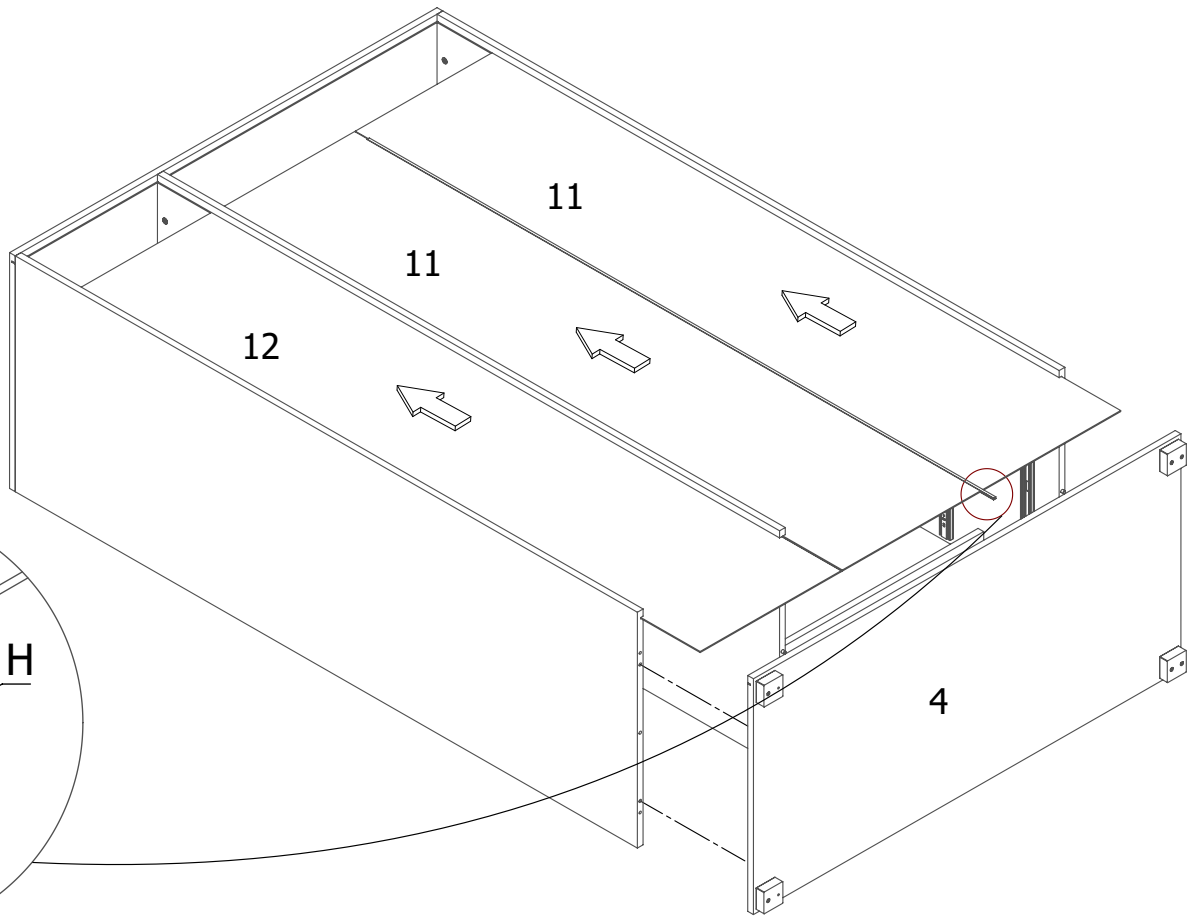
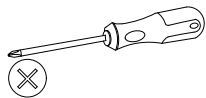
16

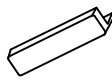



8







 UM 5	 4x16 H 10
---	---

