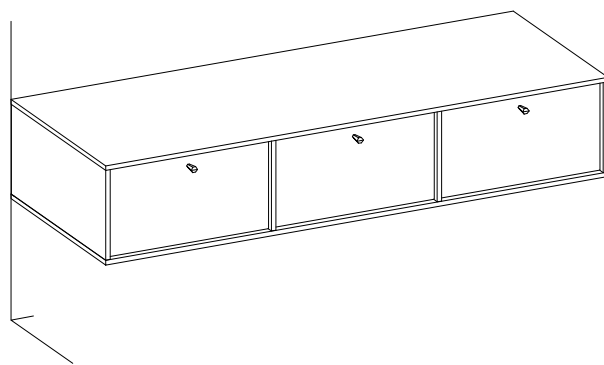
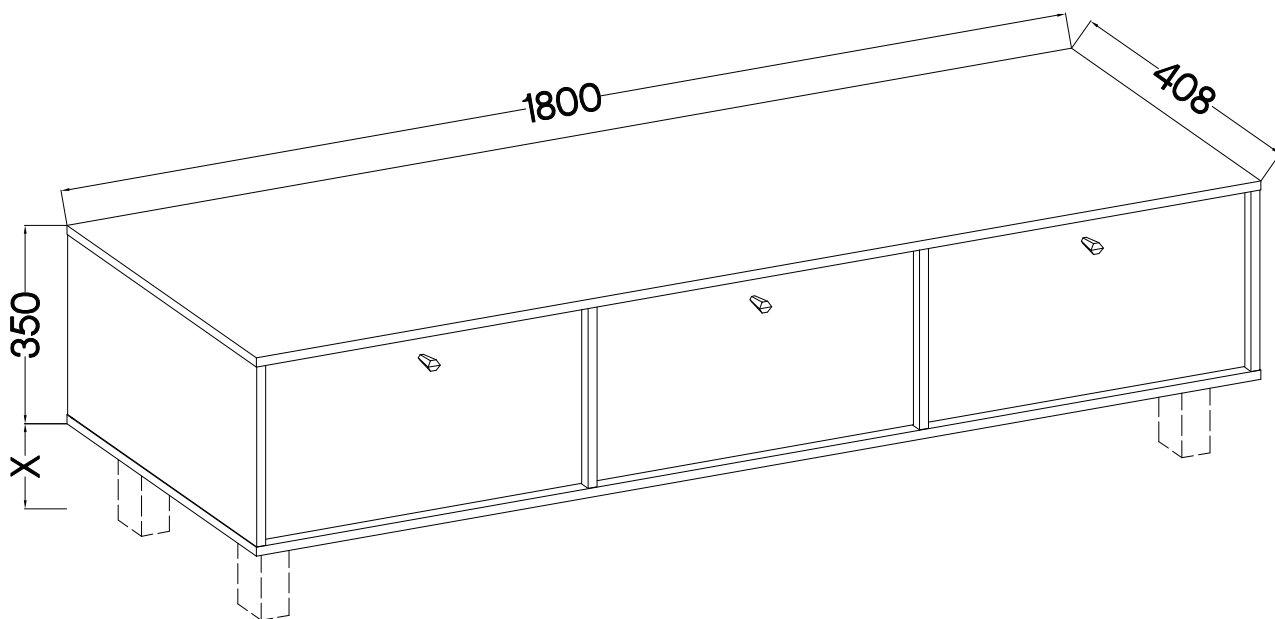
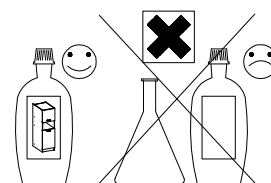


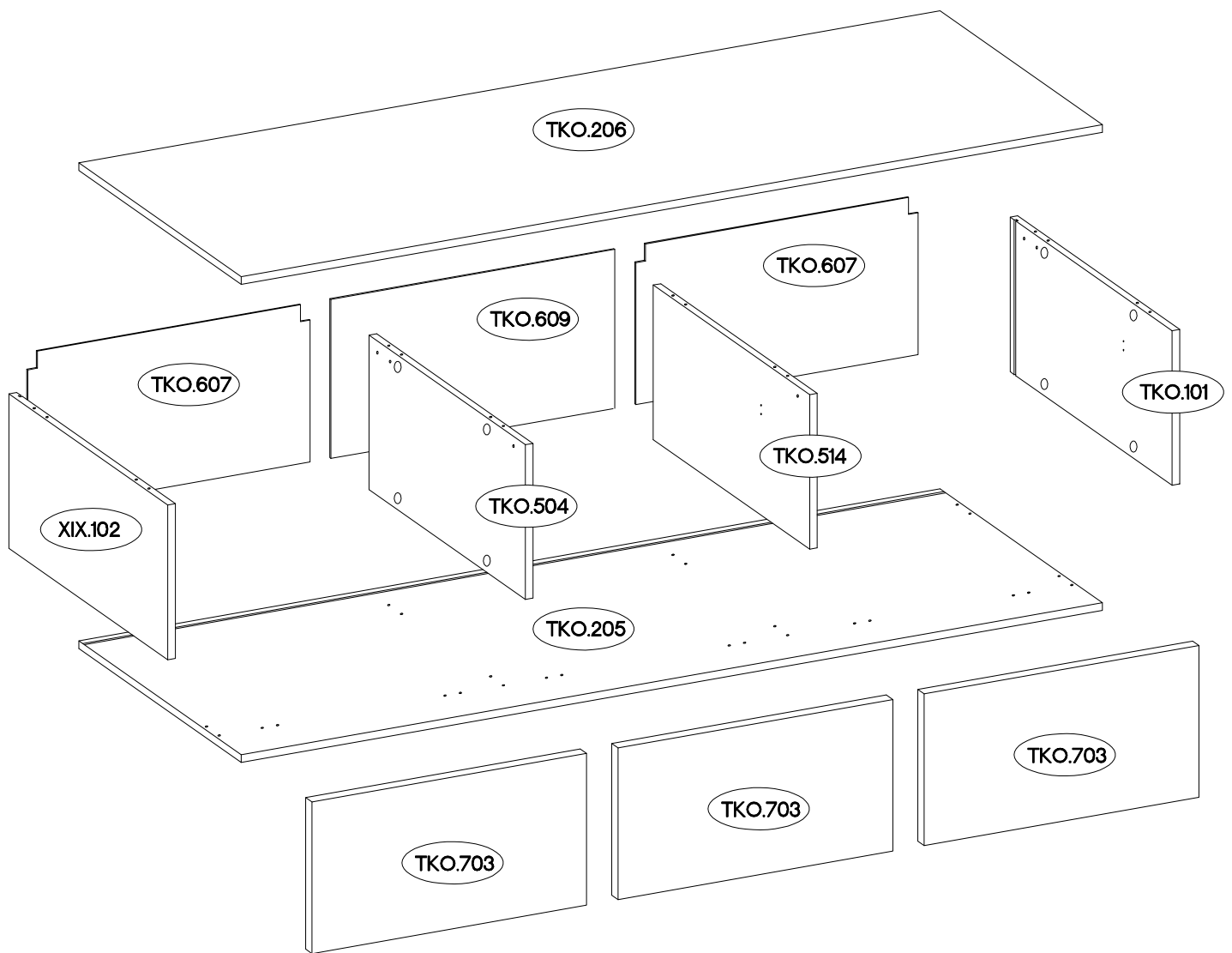
60 min

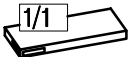
TYP 303



A +8x30mm 16	C +15/12mm 16	D2 L=20mm 16	E11 +20 16	HG2 +35/16mm 6	J12 3	K25 L 2	K26 R 2	L L=270mm 80 N BARKOWY K33 3	L2 12	O4 6,5/68mm 4	O7 +10x50mm 4	P5 +3.5x13mm 12	P7 +3.0x20mm 6	P8 +4.0x30mm 8	S 3	U M4x22mm 3
---------------------------	----------------------------	---------------------------	-------------------------	-----------------------------	-----------------	----------------------	----------------------	--	-----------------	----------------------------	----------------------------	------------------------------	-----------------------------	-----------------------------	---------------	--------------------------

ISM-TKO-003



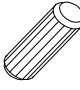




	Ersatzteil Nummer	Dimension
	TKO.101	318x407x16
	TKO.102	318x407x16
	TKO.504	318x393x16
	TKO.514	318x393x16
	TKO.205	1800x408x16
	TKO.206	1800x408x16
	TKO.607 x2	590x327x2,5
	TKO.609	593x327x2,5
	TKO.703 x3	312x574x16

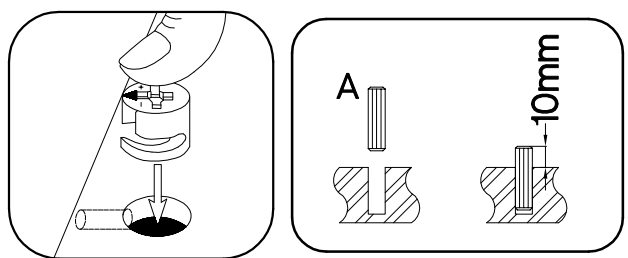
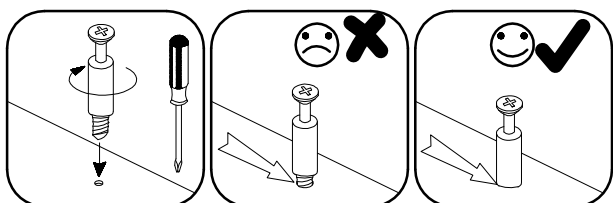
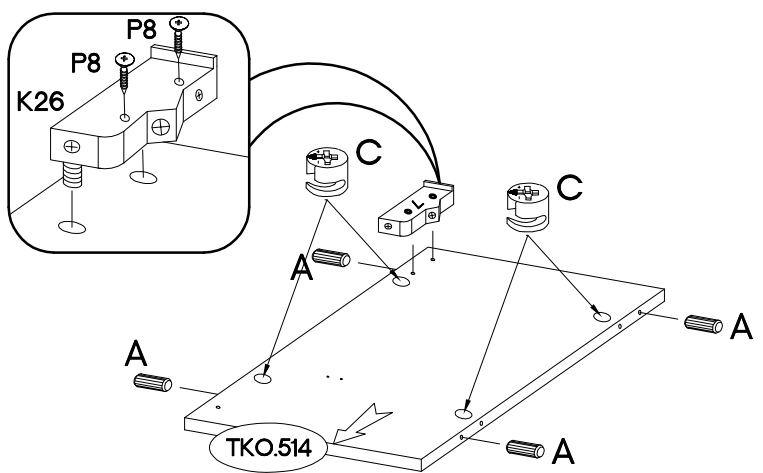
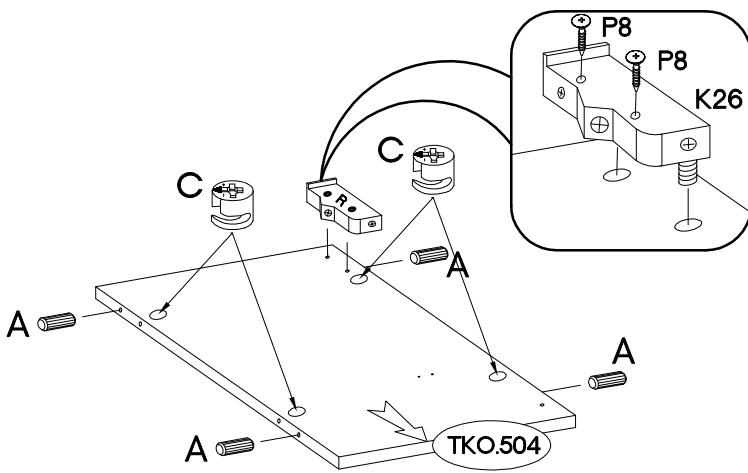
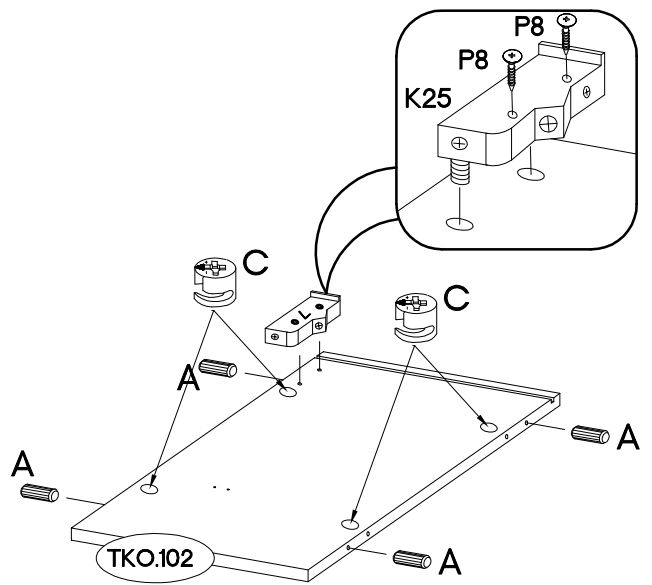
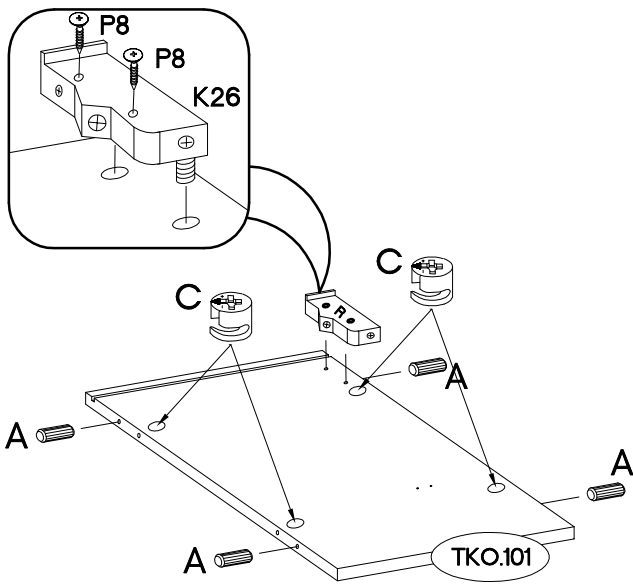
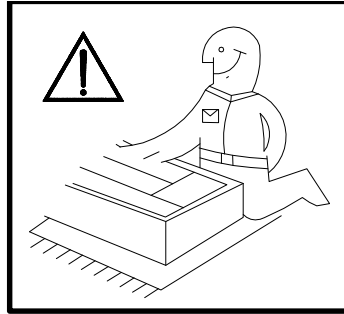


TKO.206

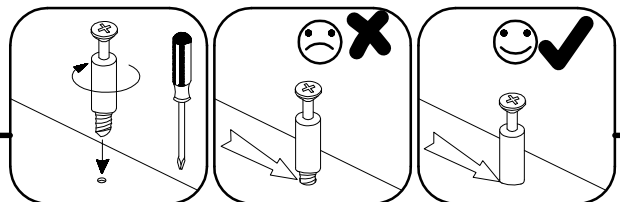
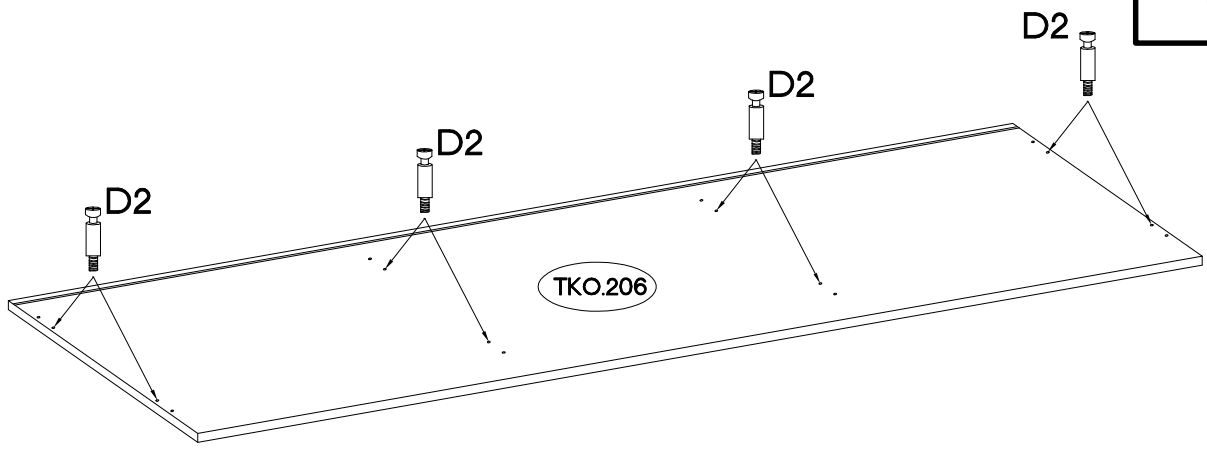
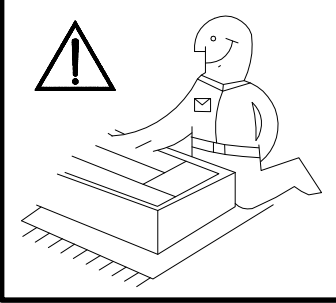
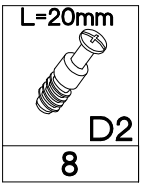


TKO.205

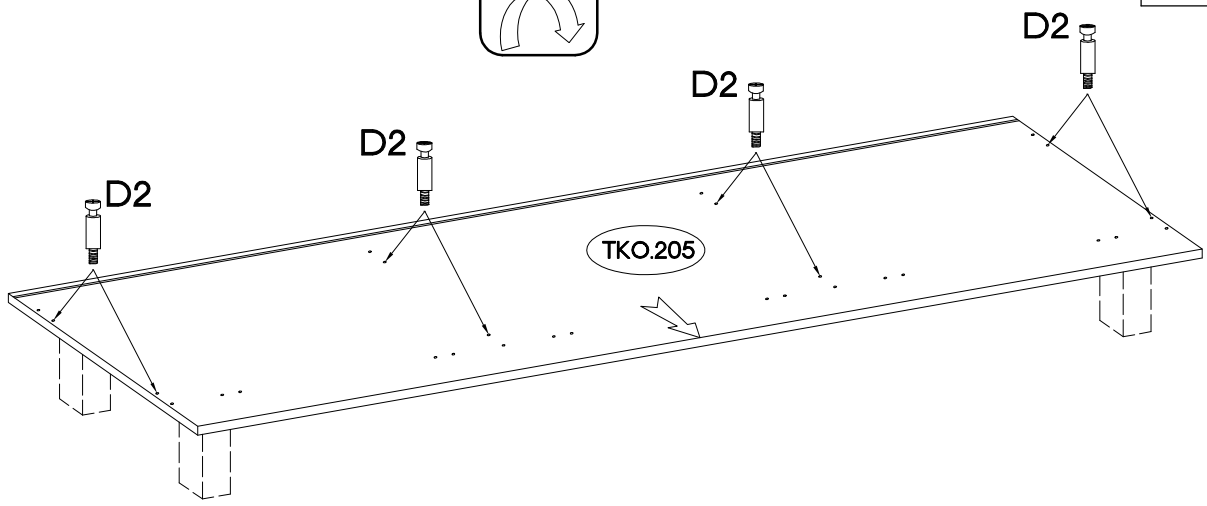
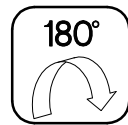
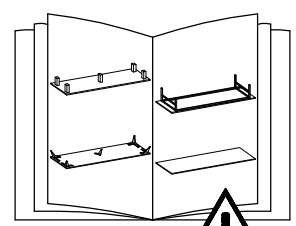
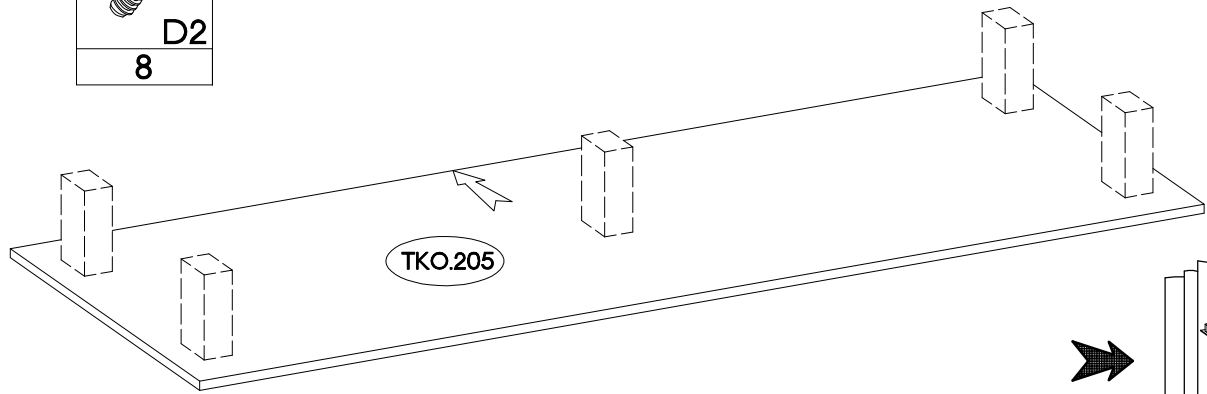
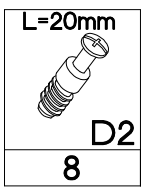
$\pm 8 \times 30 \text{mm}$  A 16	$\pm 15/12 \text{mm}$  C 16	L  K25 2	R  K26 2	$\pm 4.0 \times 30 \text{mm}$  P8 8
--	--	---	---	--



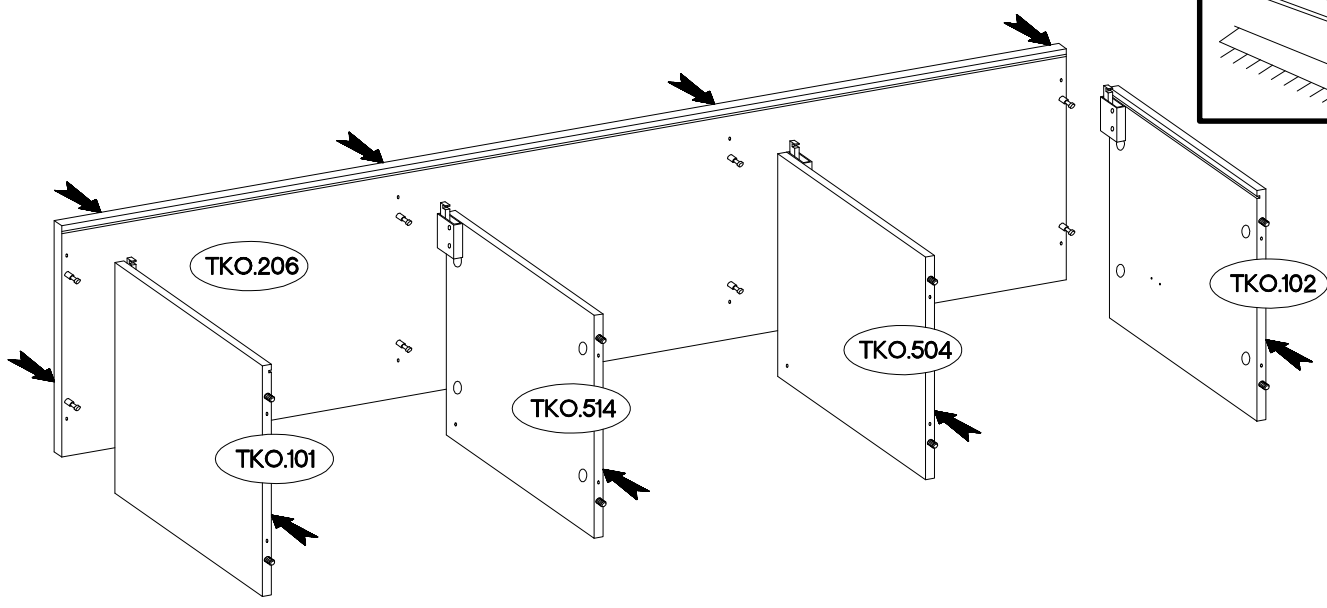
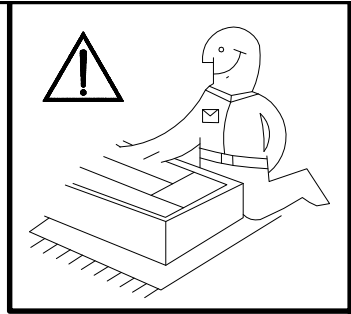
2



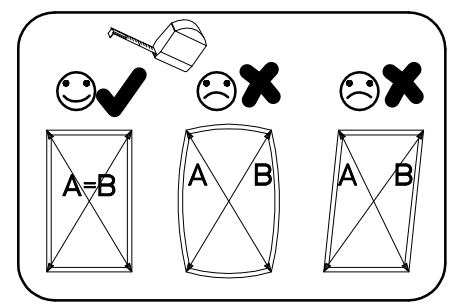
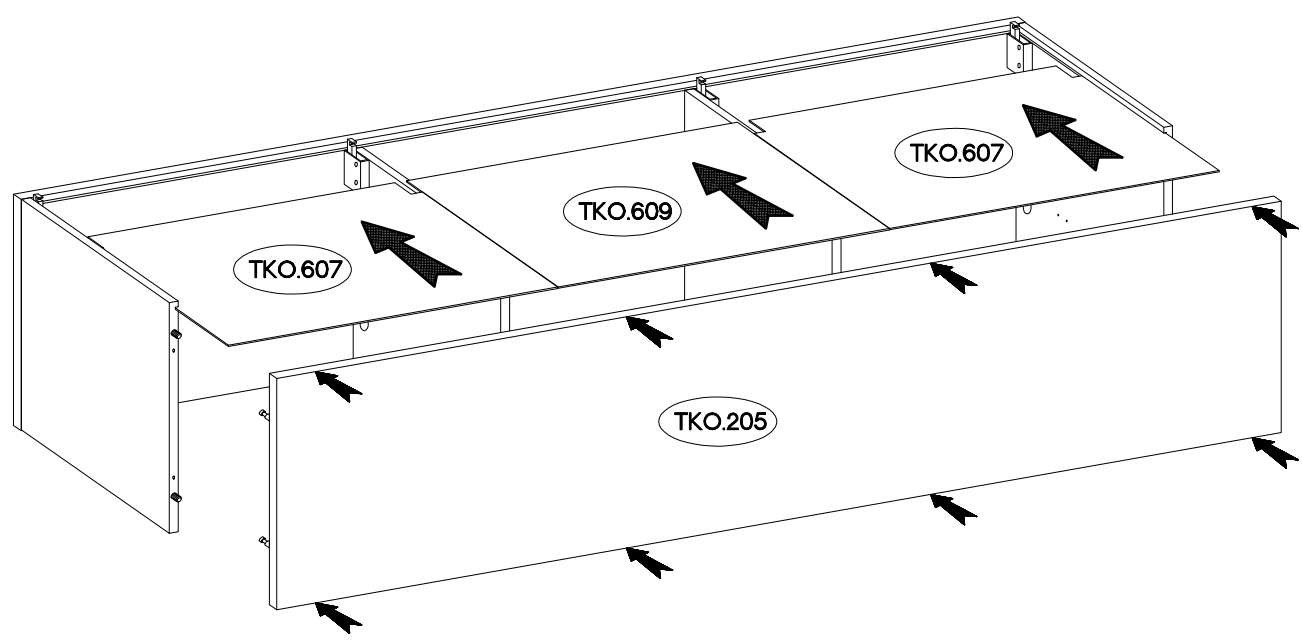
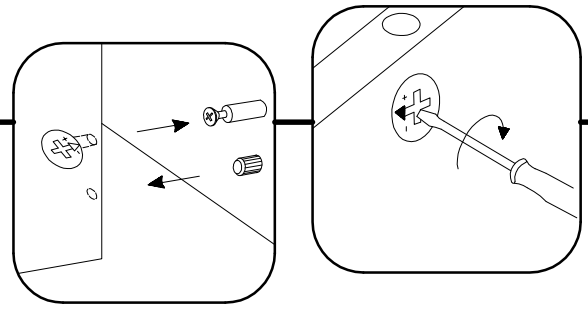
3



4



5



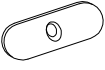
6

±3.0x20mm



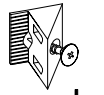
P7

6



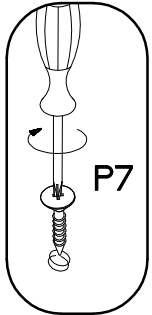
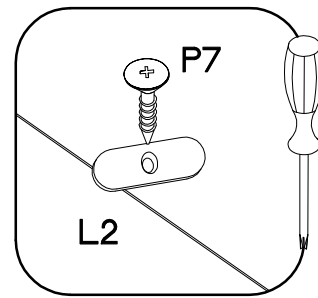
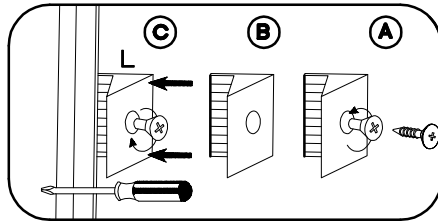
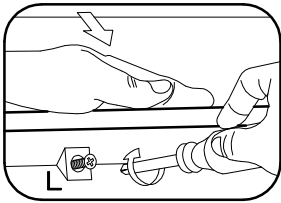
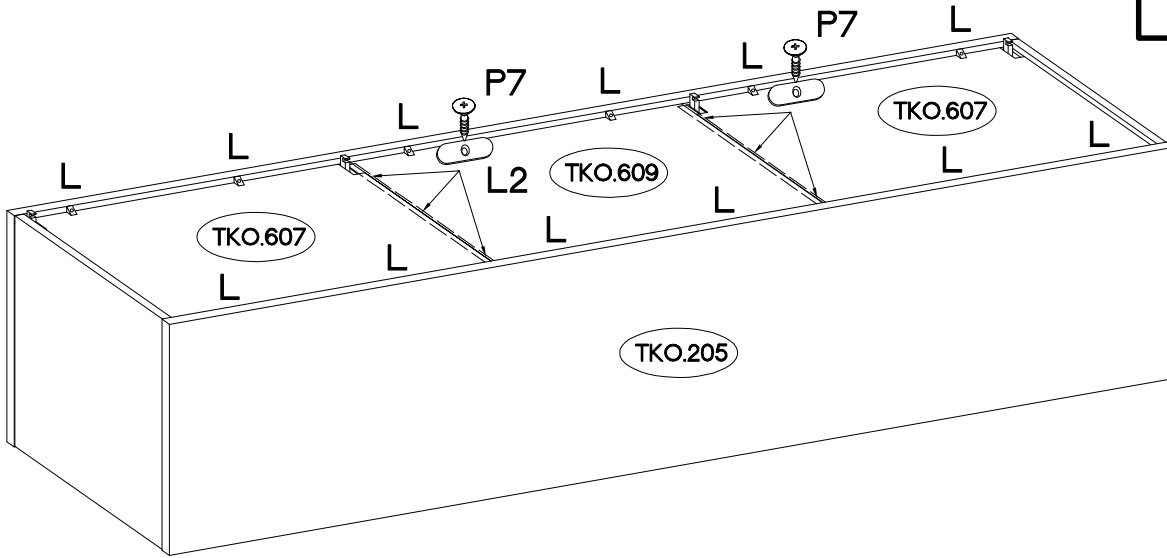
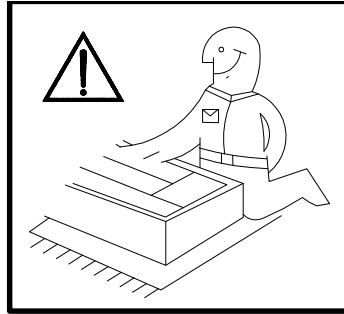
L2

6

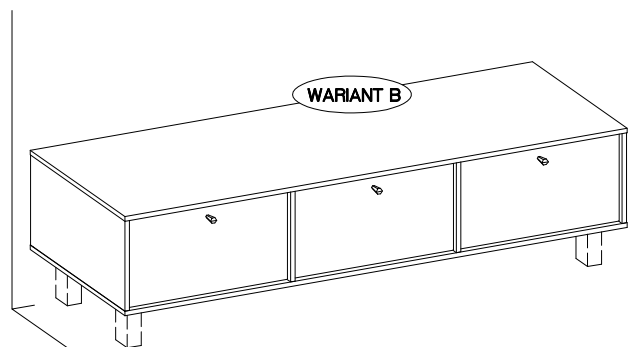
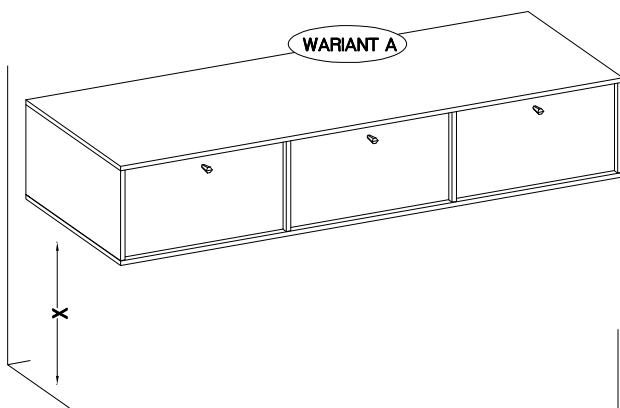


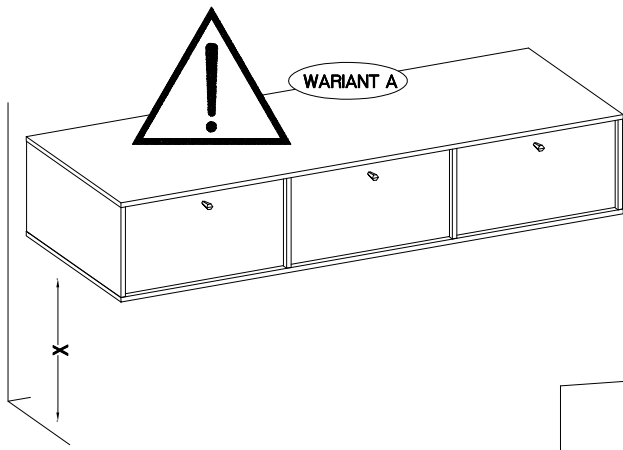
L

12

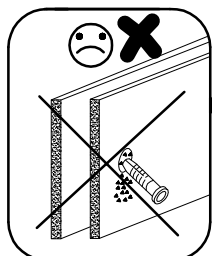
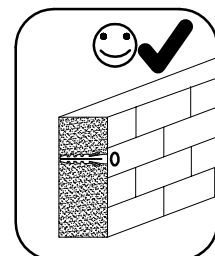
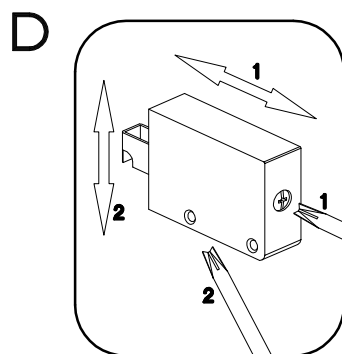
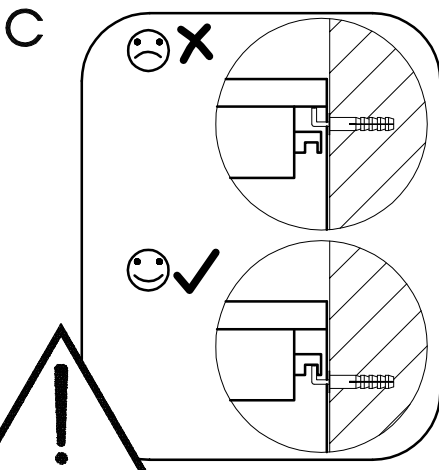
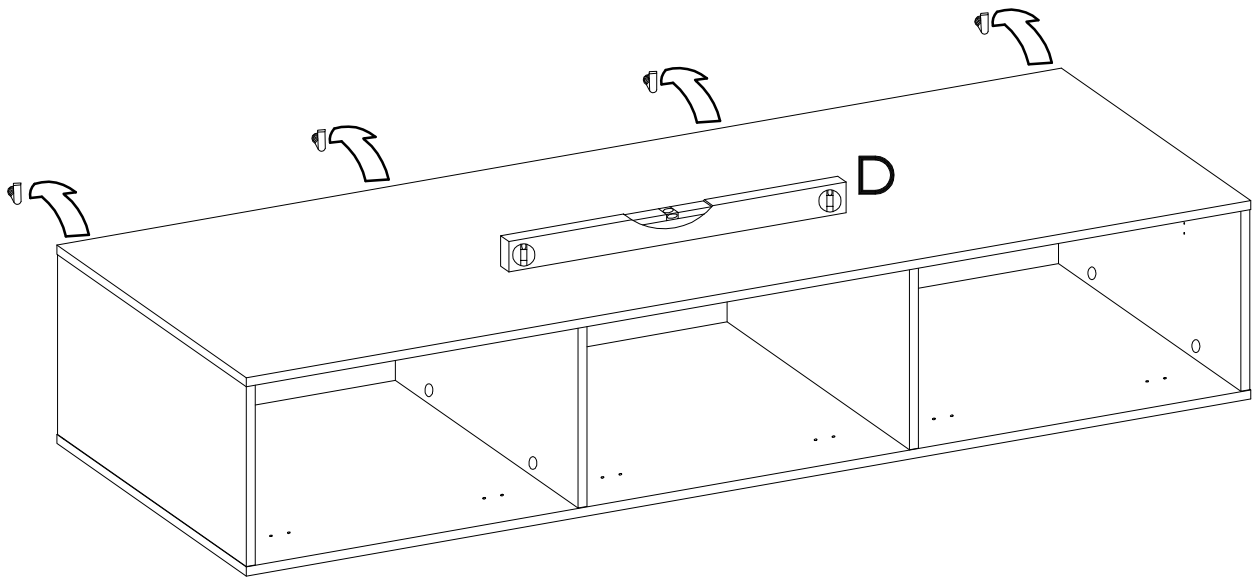
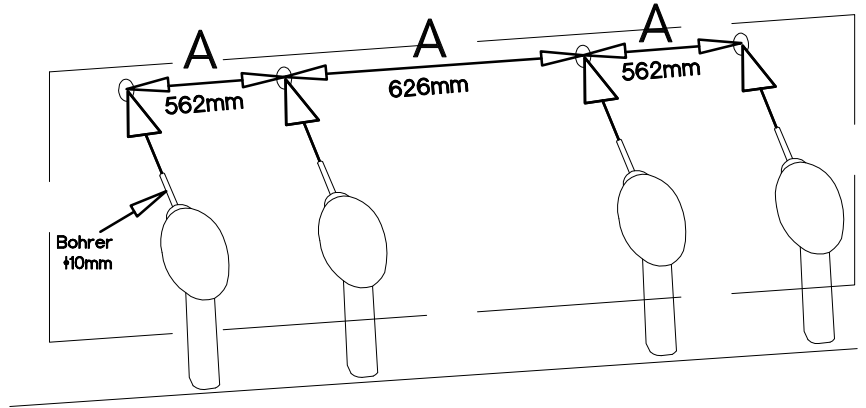
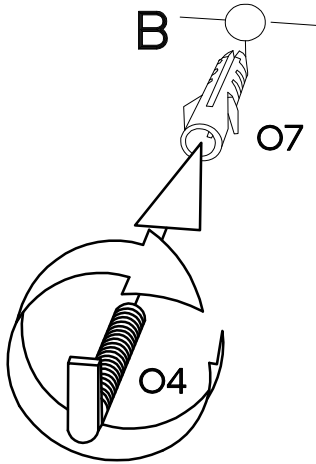


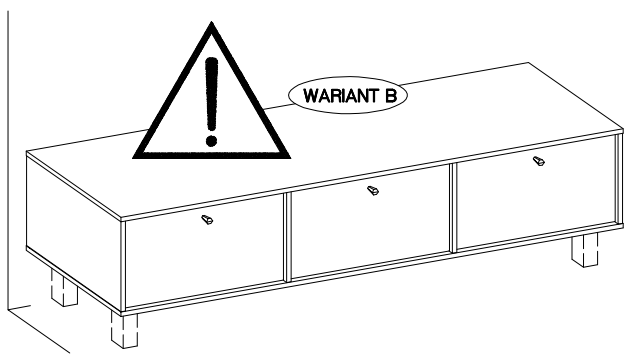
7



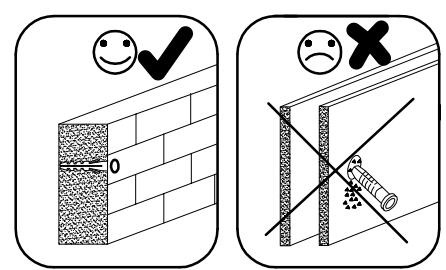
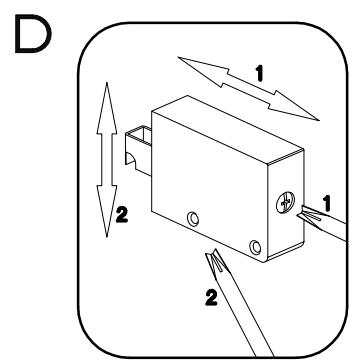
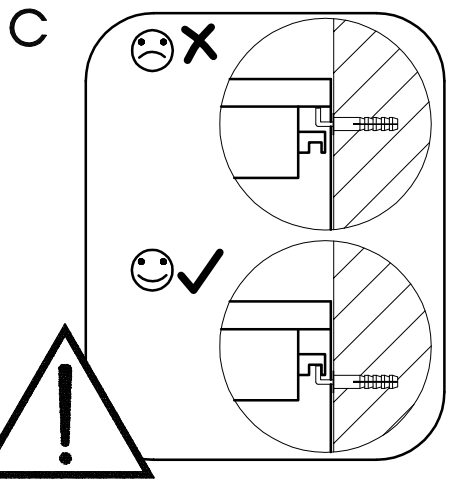
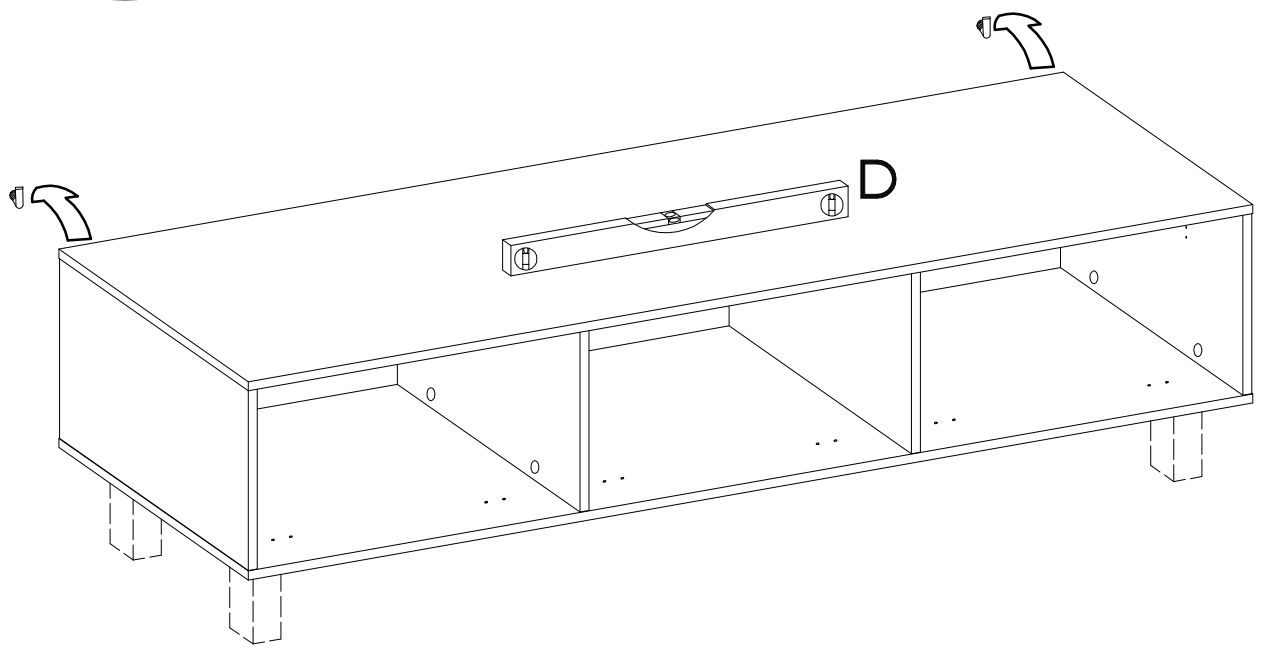
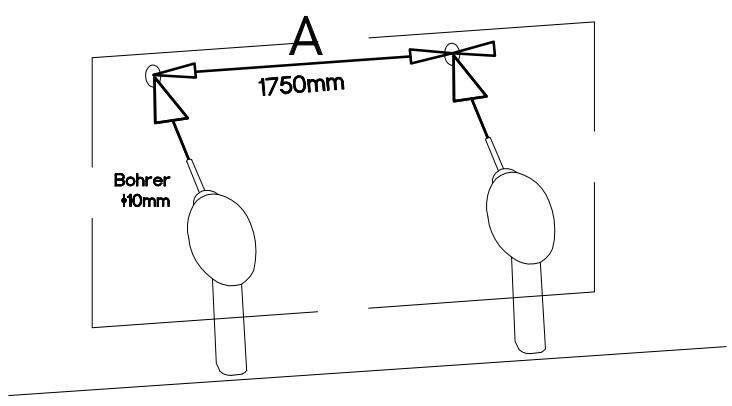
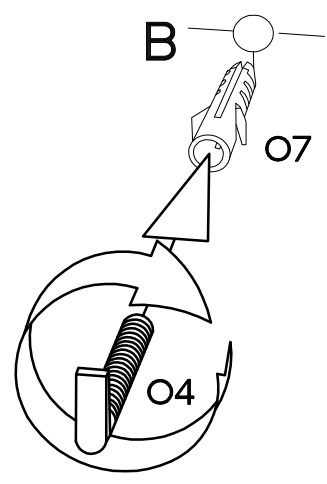


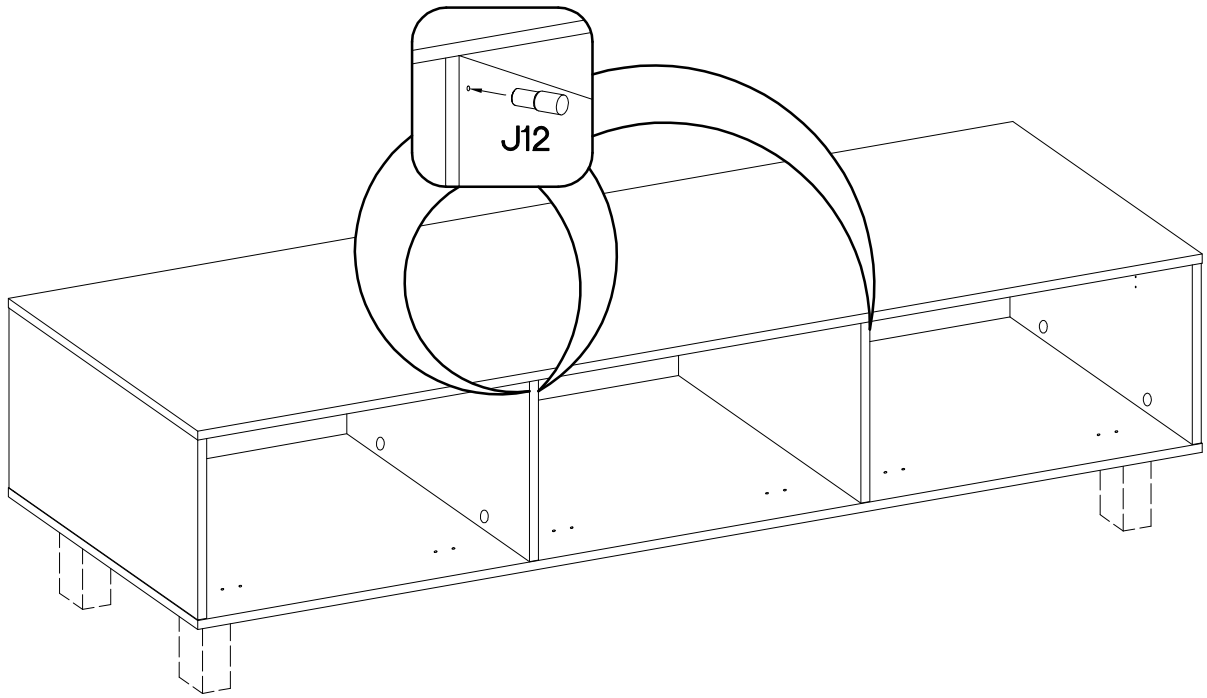
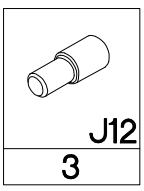
 #10x50mm O7 4	 6,5/68mm O4 4
-------------------------	-------------------------



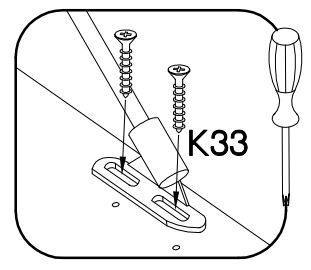
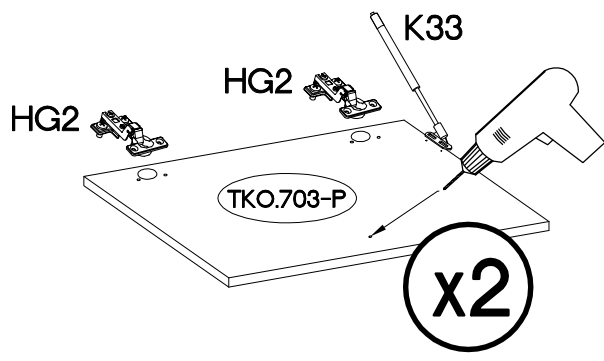
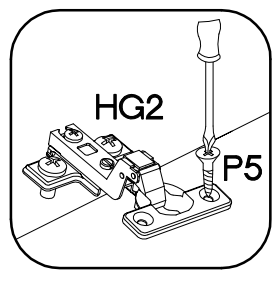
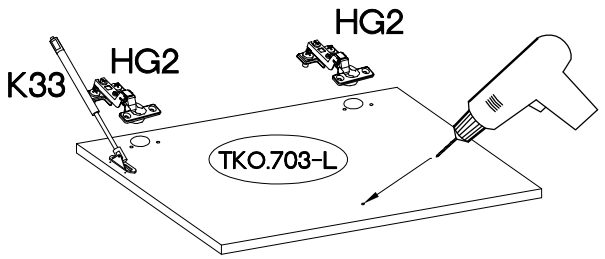
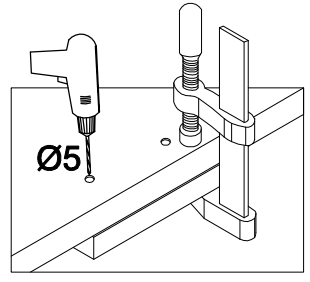
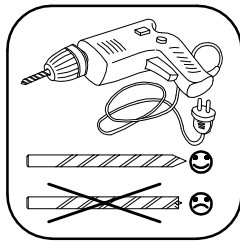


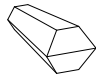


 #10x50mm O7 2	 6,5/68mm O4 2
-------------------------	-------------------------





<p>HG2 6</p>	<p>P5 12</p>	<p>K33 3</p>	<p>BARKOWY L=270mm 80 N</p>
-------------------------	-------------------------	-------------------------	--



 S	M4x22mm  U	±20  E11
3	3	16

