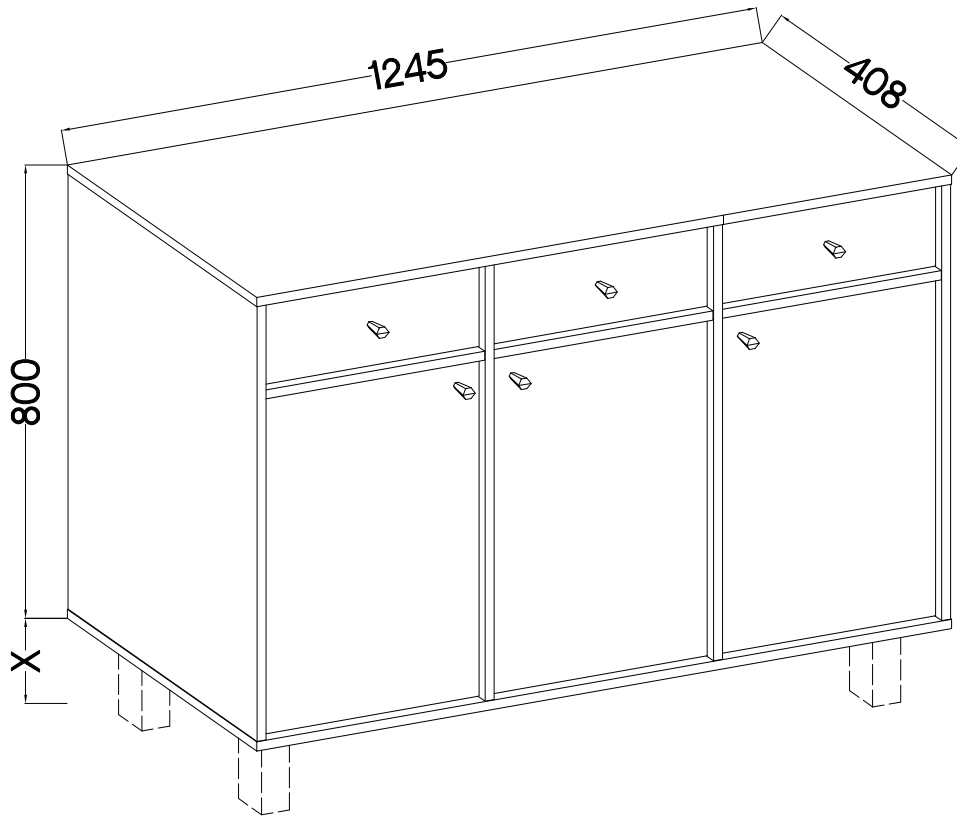
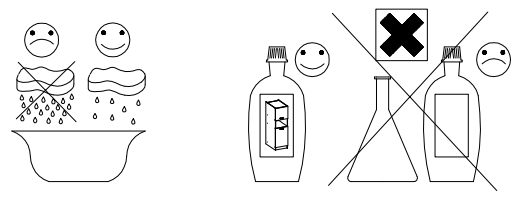
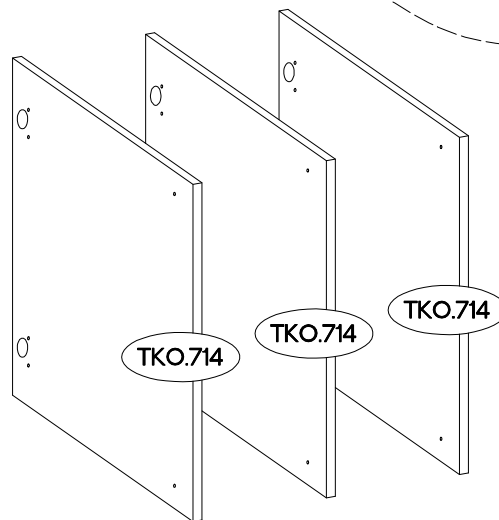
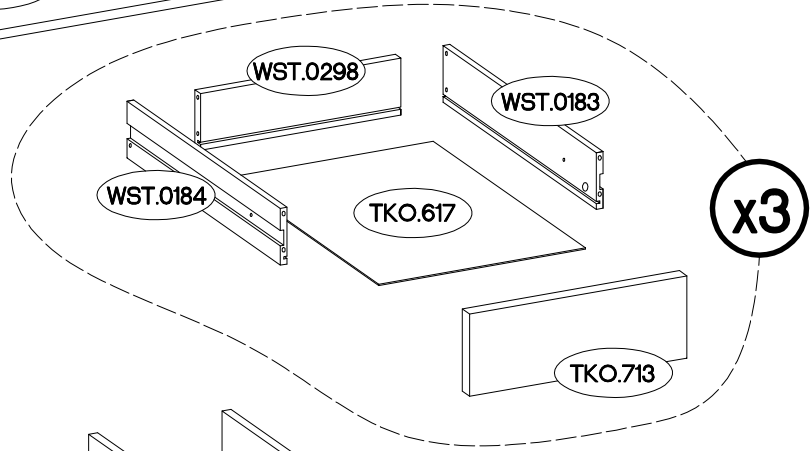
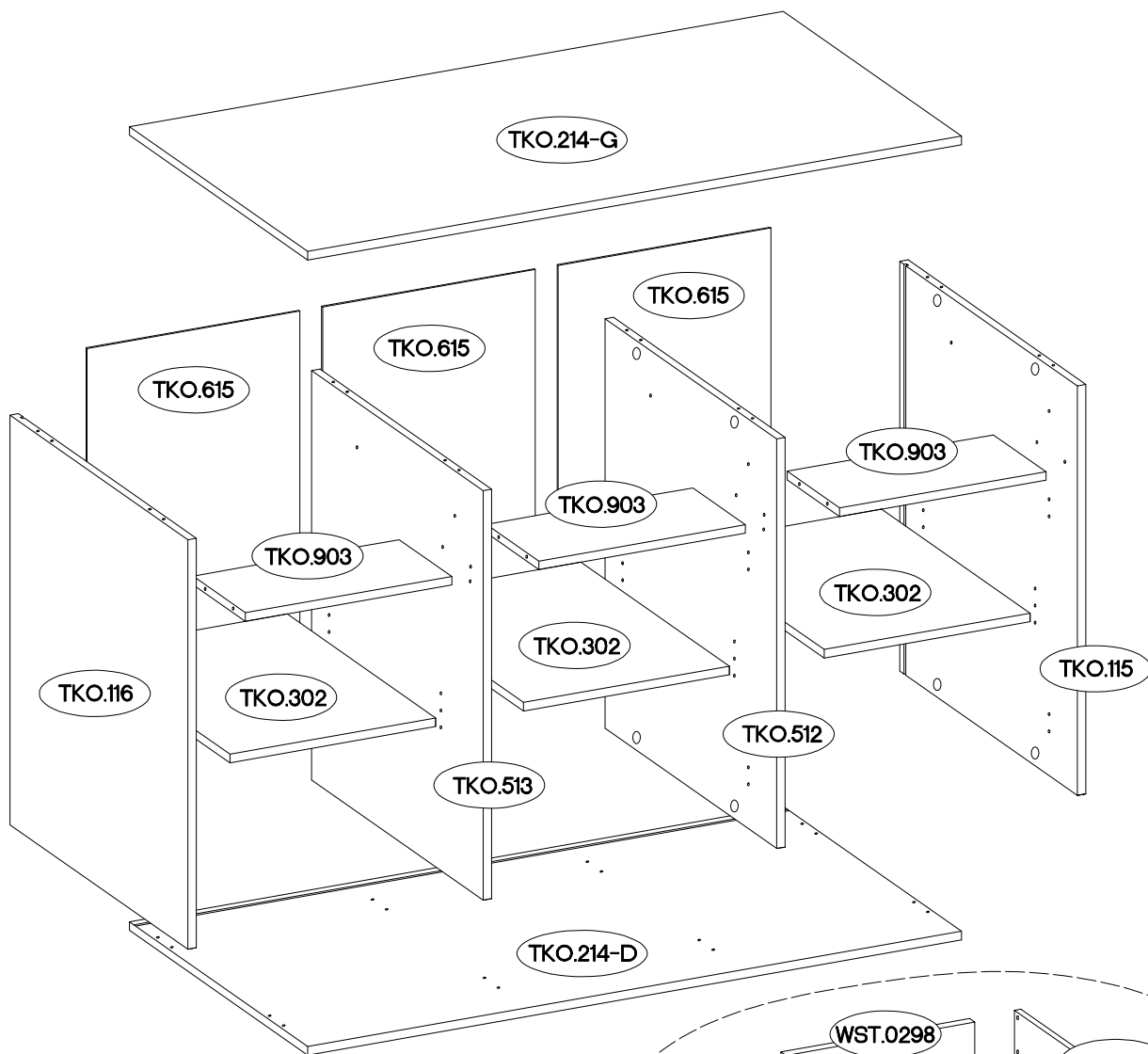


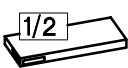
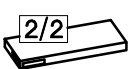
TYP 827

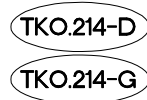


 A 34	 B2 6	 C 22	 C5 6	 D2 24	 D4 2	 E11 14	 HG2 6	 I4 3	 J3 12	
 J12 3	 L 24	 L2 14	 L9 1	 M2 12	 O7 1	 P5 13	 P7 14	 S 6	 U 6	 U1 6


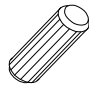
ISM-TKO-015

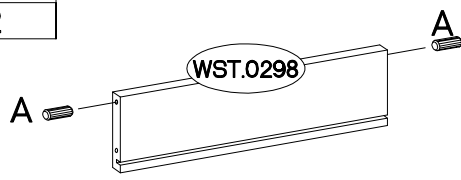


	Ersatzteil Nummer	Dimension
	TKO.115	768x407x16
	WST.0183 x3	330x100x12
	WST.0184 x3	330x100x12
	WST.0298 x3	359x100x12
	TKO.713 x3	389x145x16
	TKO.714 x3	595x389x16
	TKO.116	768x407x16
	TKO.512	768x393x16
	TKO.513	768x393x16
	TKO.214 x2	1245x408x16
	TKO.903 x3	393x120x16
	TKO.302 x3	392x340x16
	TKO.615 x3	777x405x2,5
TKO.617 x3	370x327x2,5	

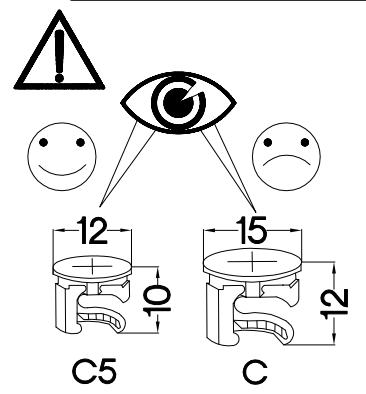
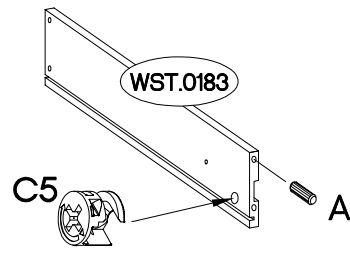
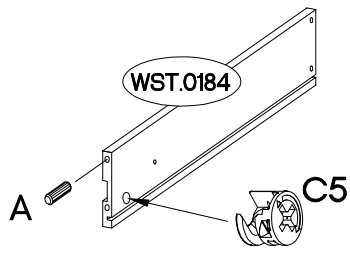
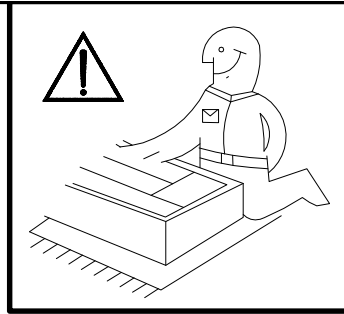


1

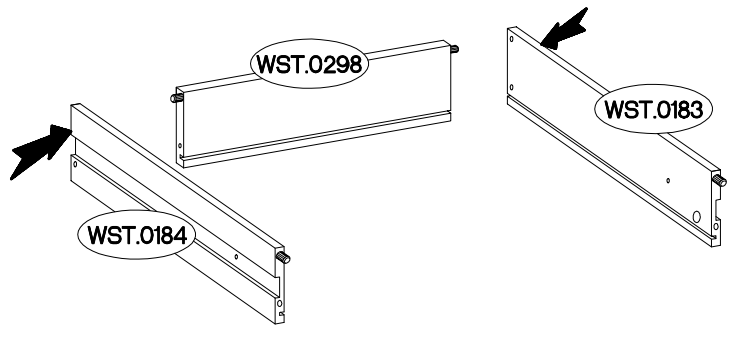
#12/10mm  C5 6	#8x30mm  A 12
---	--




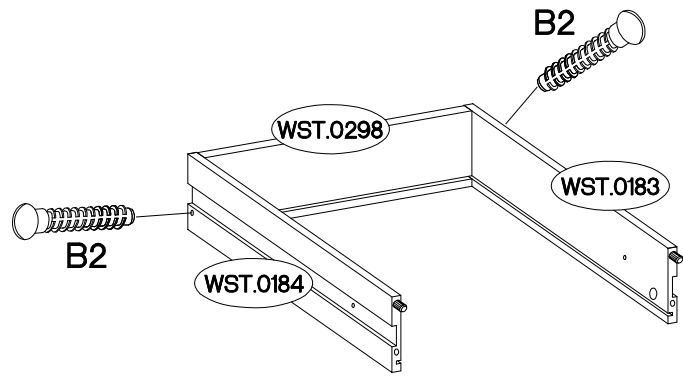
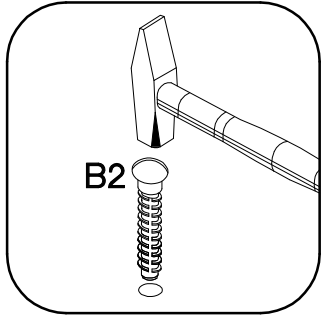
x3



2

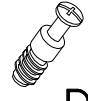


#6x42mm  B2 6

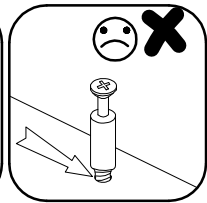
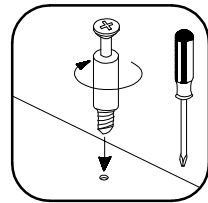
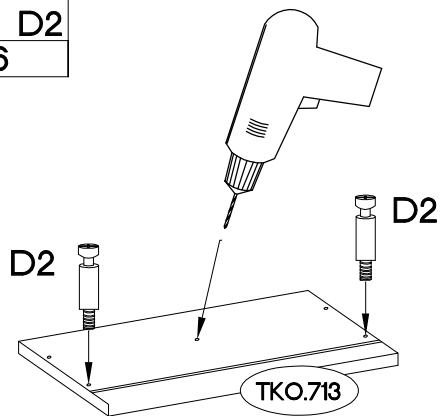
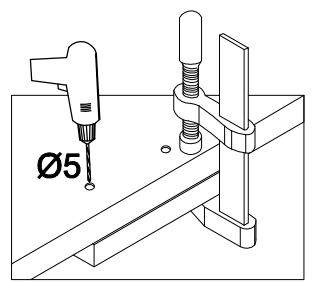
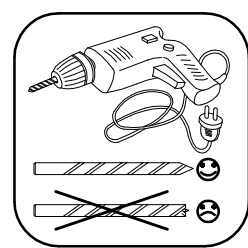


x3

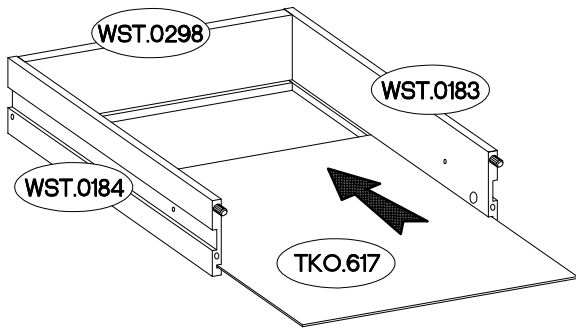
3

L=20mm  D2 6
--

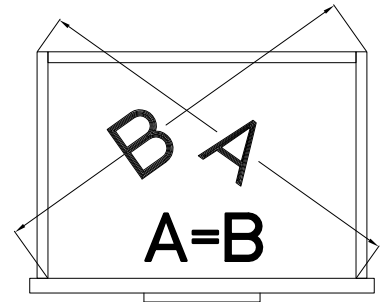
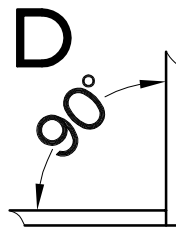
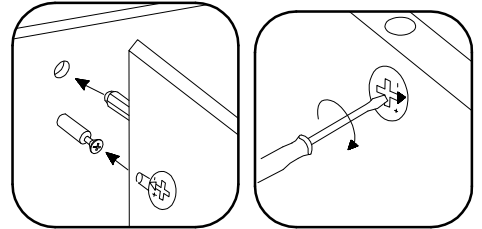
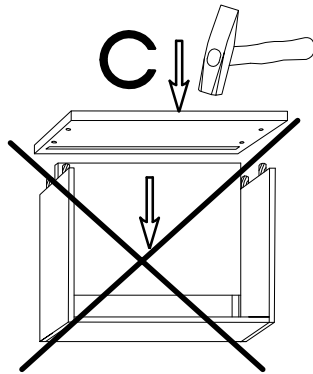
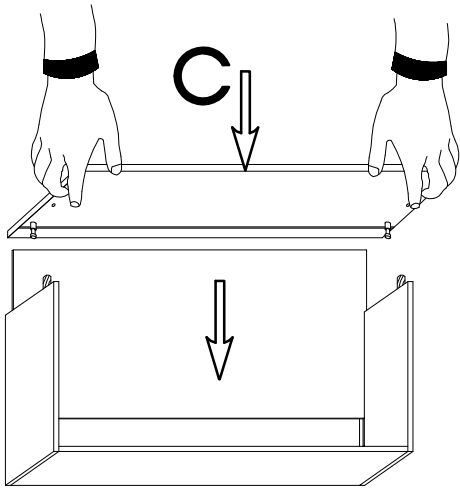
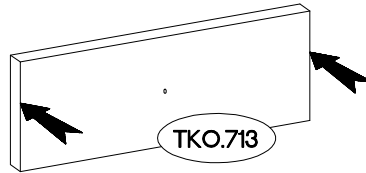
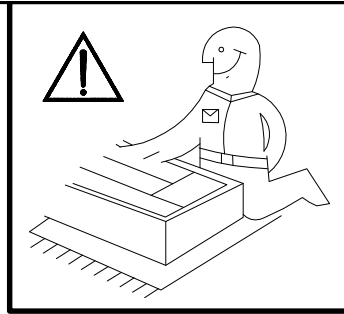
x3



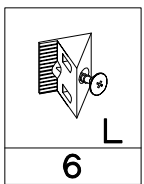
4



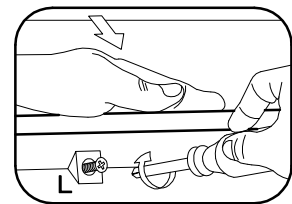
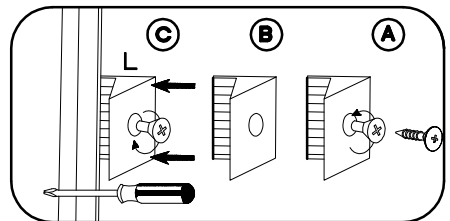
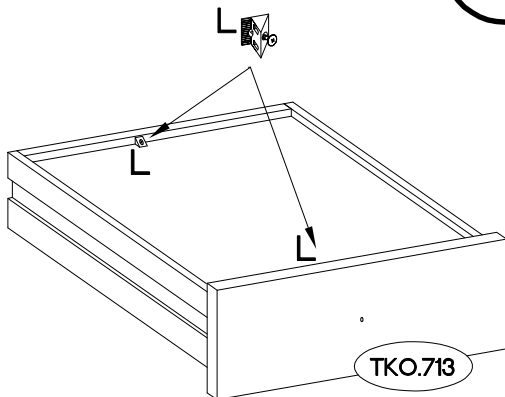
x3

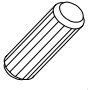


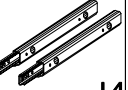



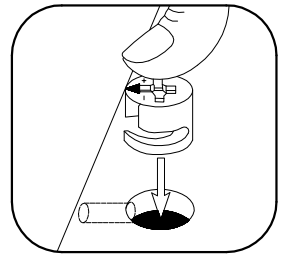
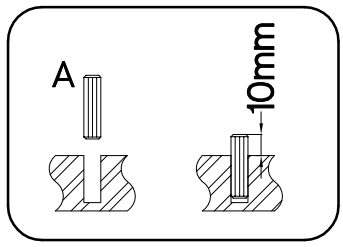
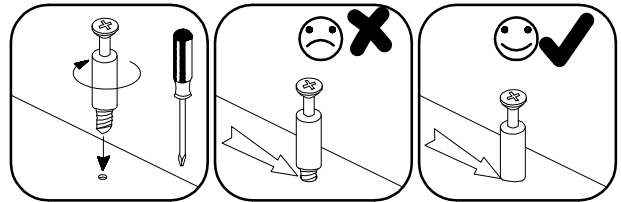
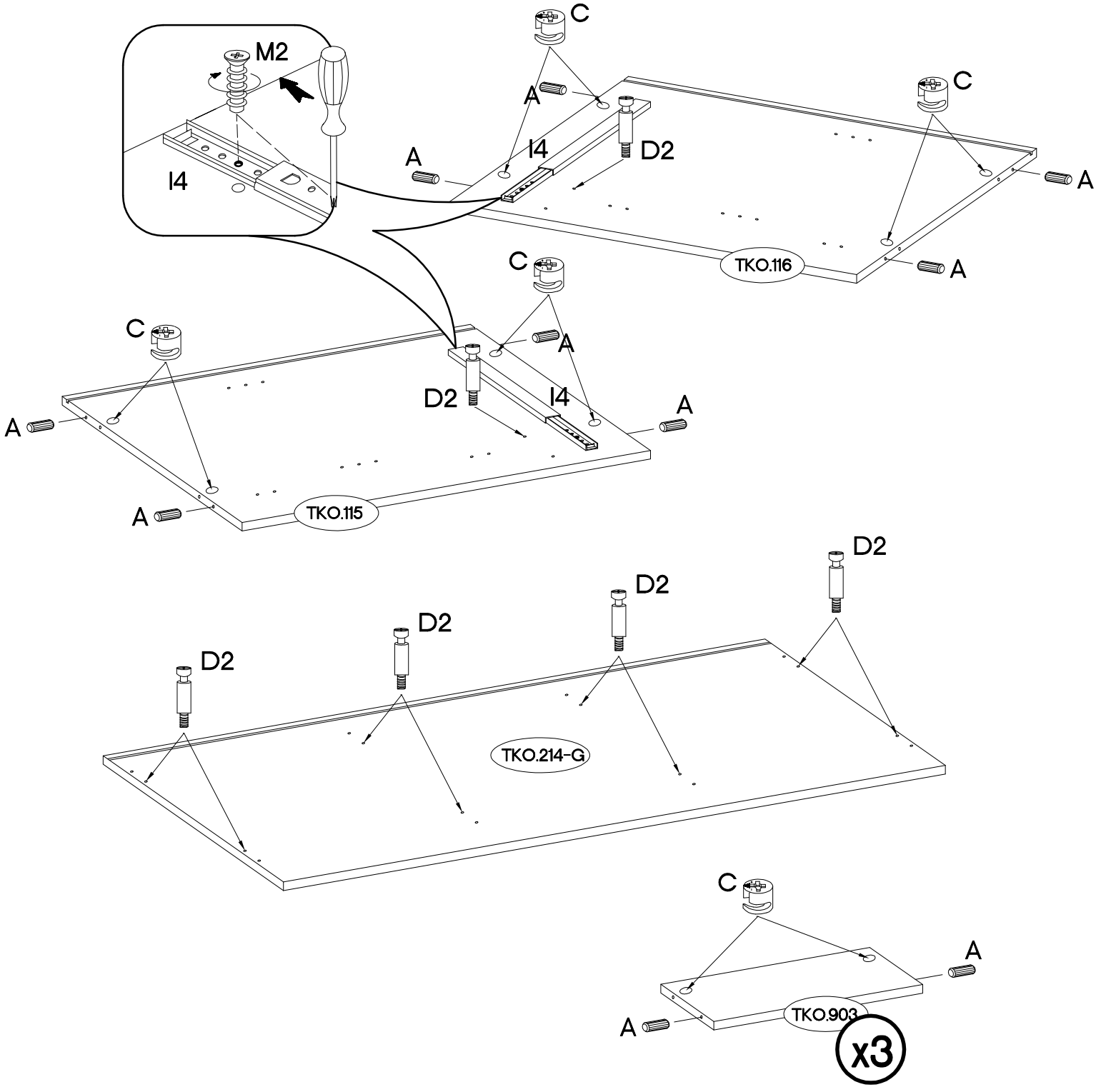
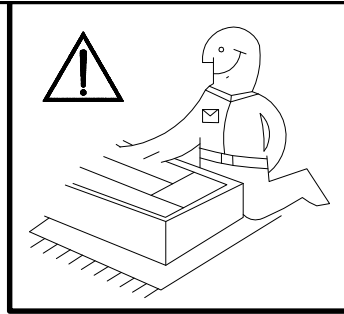
5

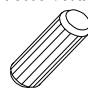
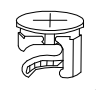
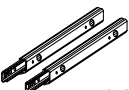



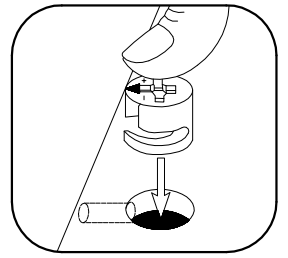
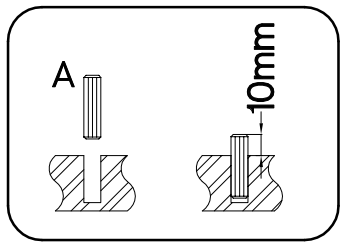
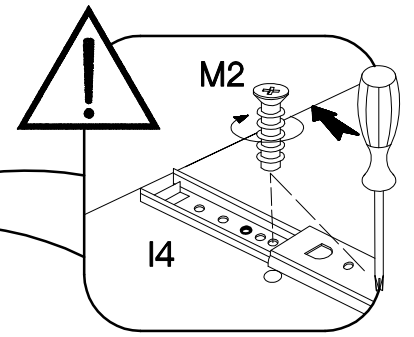
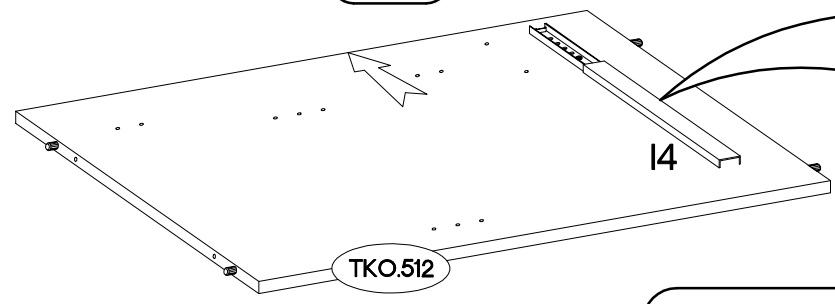
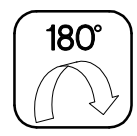
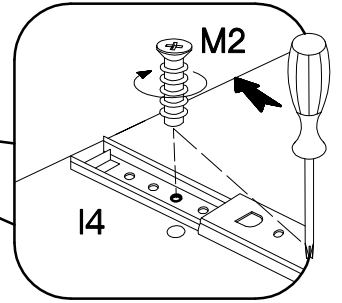
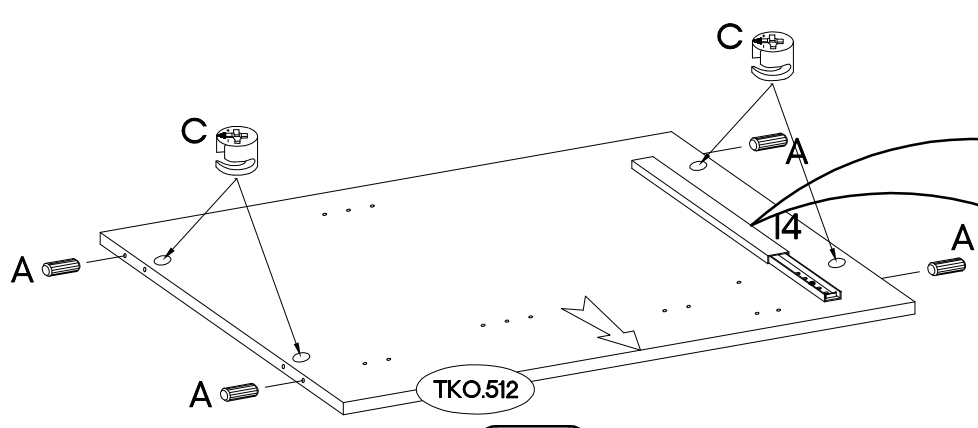
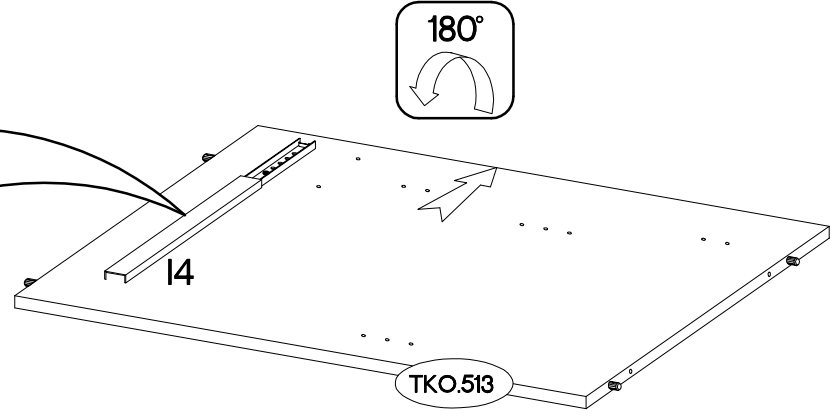
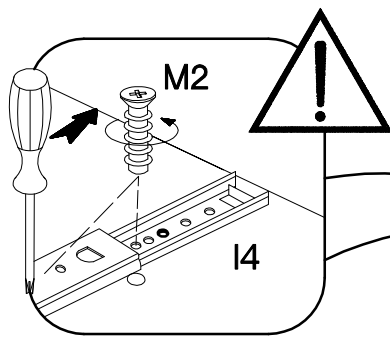
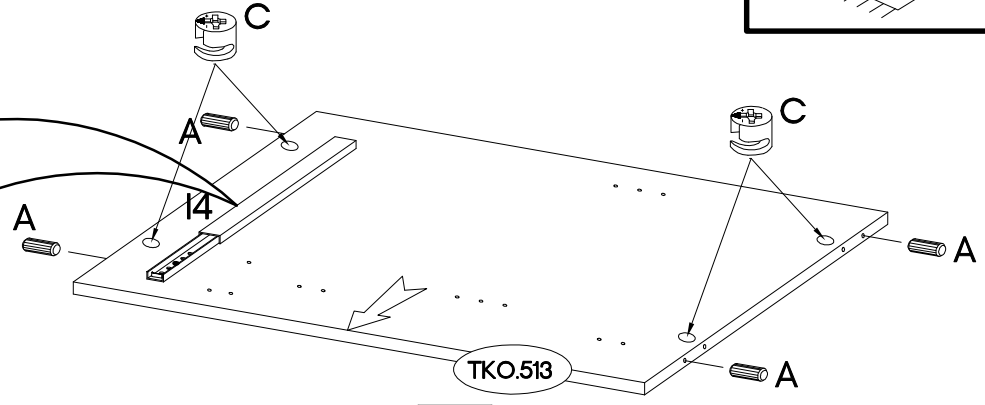
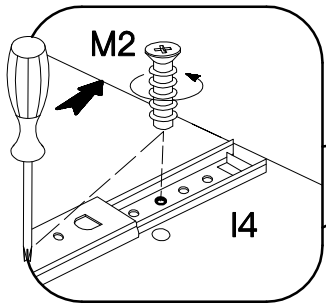
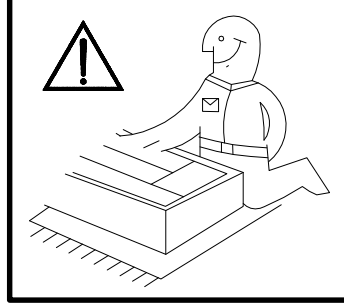
x3



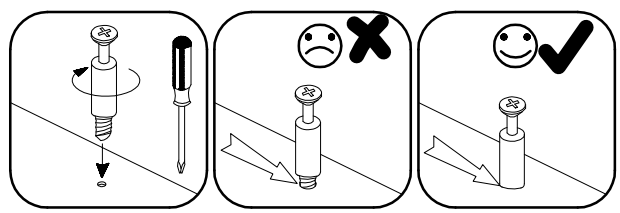
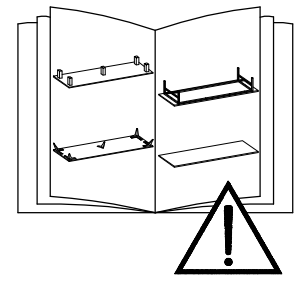
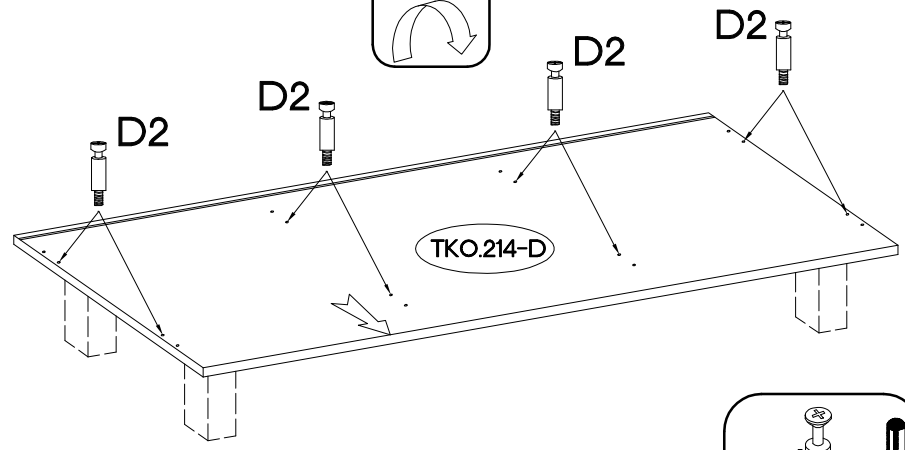
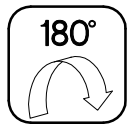
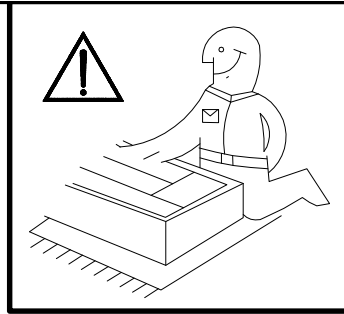
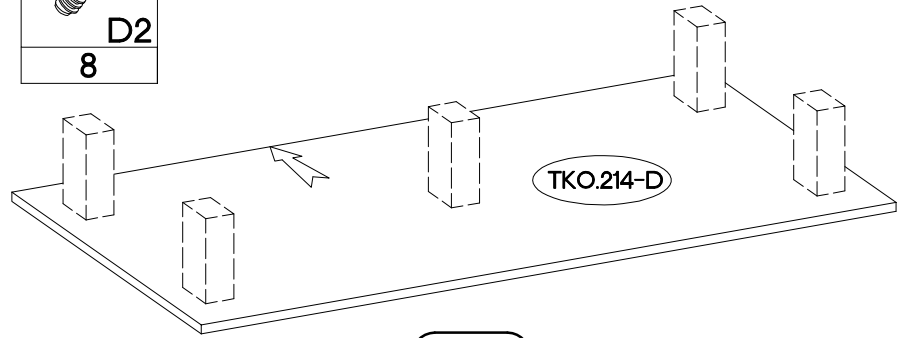
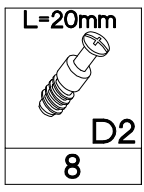
$\pm 8 \times 30 \text{mm}$ 	$\pm 15 / 12 \text{mm}$ 	$L = 20 \text{mm}$ 	$27 / 310 \text{mm}$ 	$\pm 6,3 \times 13 \text{mm}$ 
A	C	D2	I4	M2
14	14	10	1	4



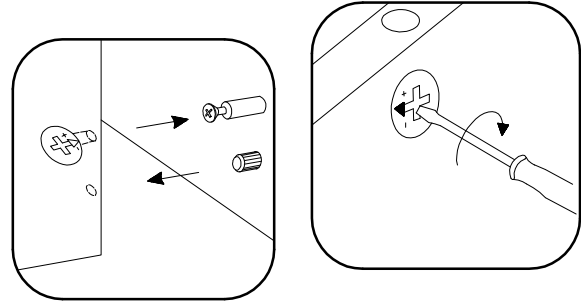
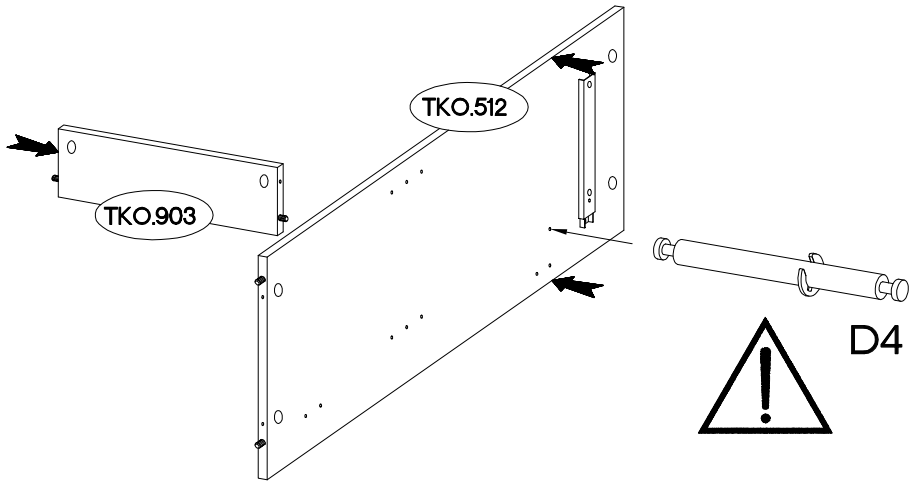
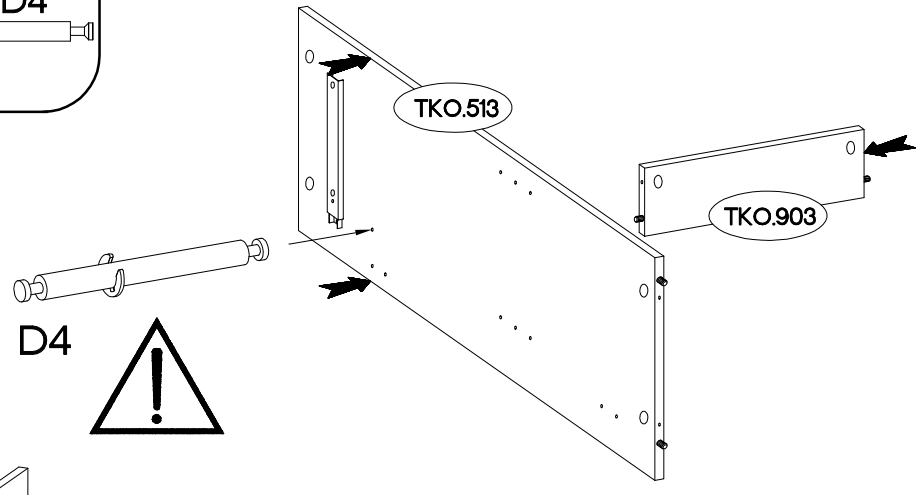
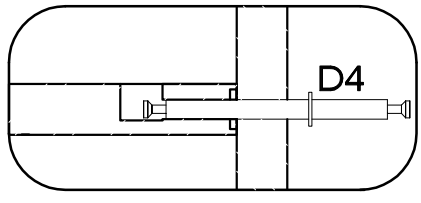
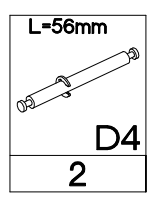
$\pm 8 \times 30 \text{mm}$  A 8	$\pm 15 / 12 \text{mm}$  C 8	$27 / 310 \text{mm}$  I4 2	$\pm 6,3 \times 13 \text{mm}$  M2 8
---	---	---	--



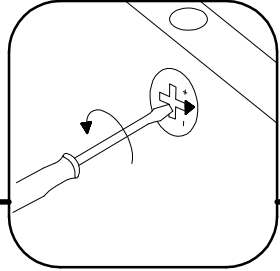
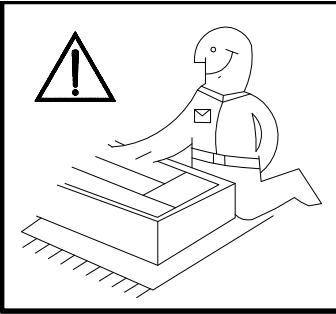
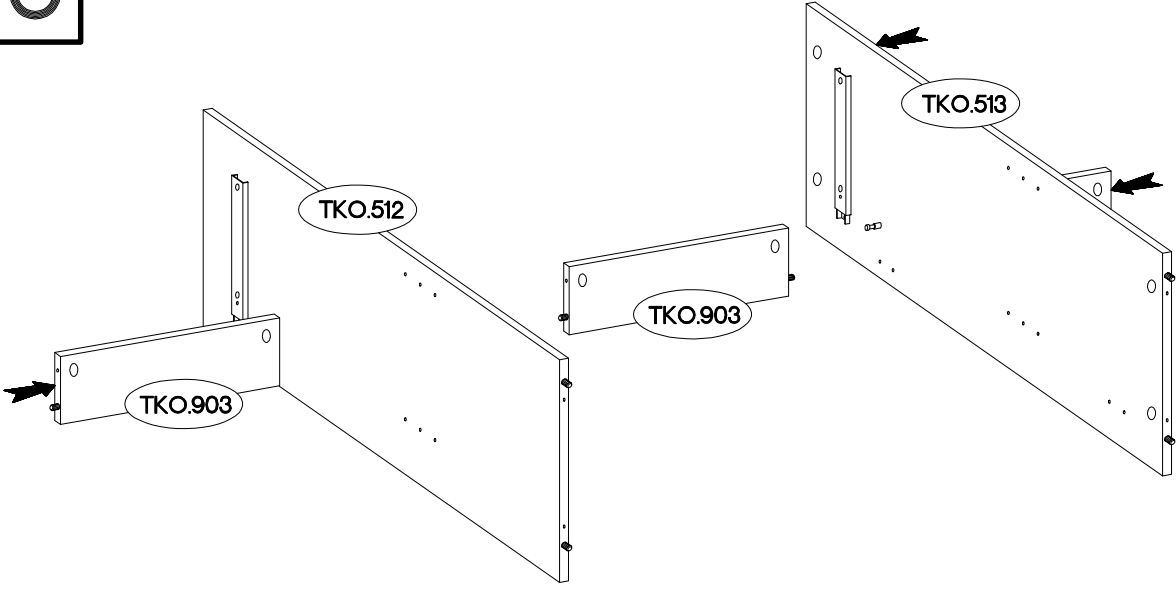
8



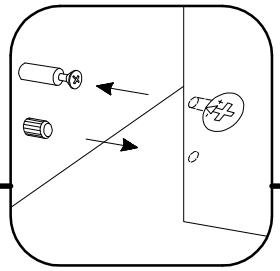
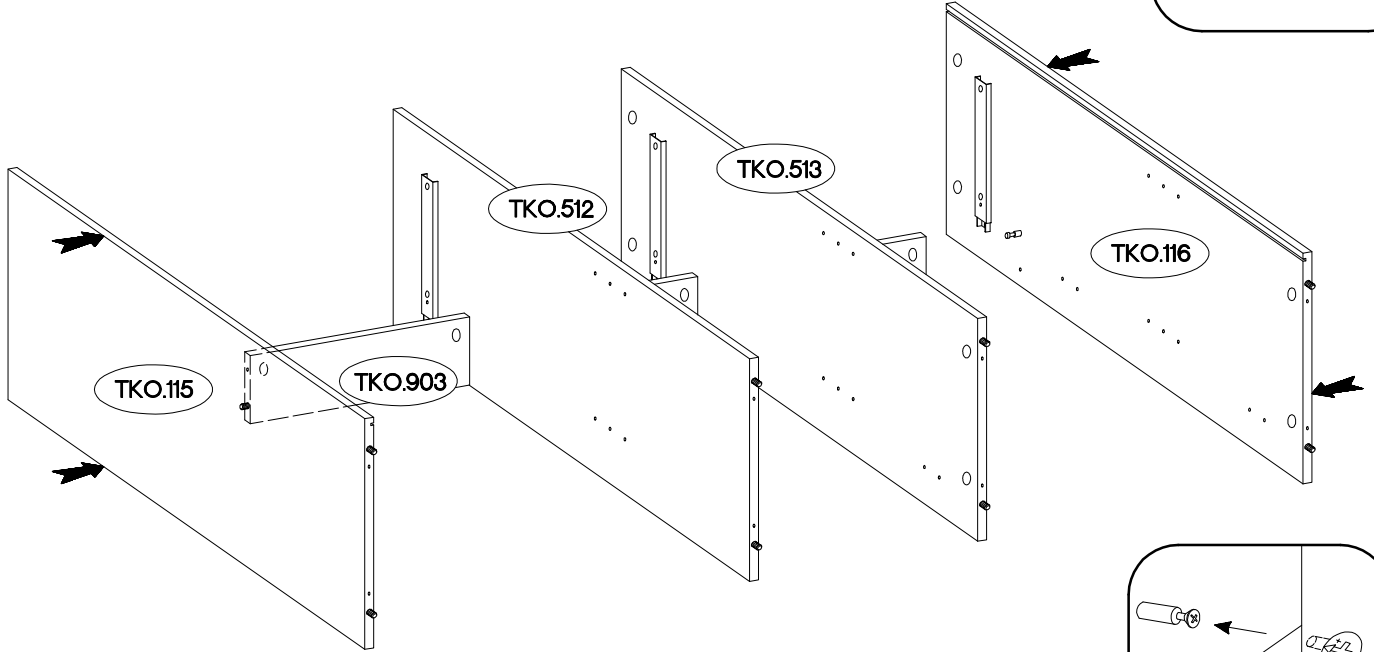
9



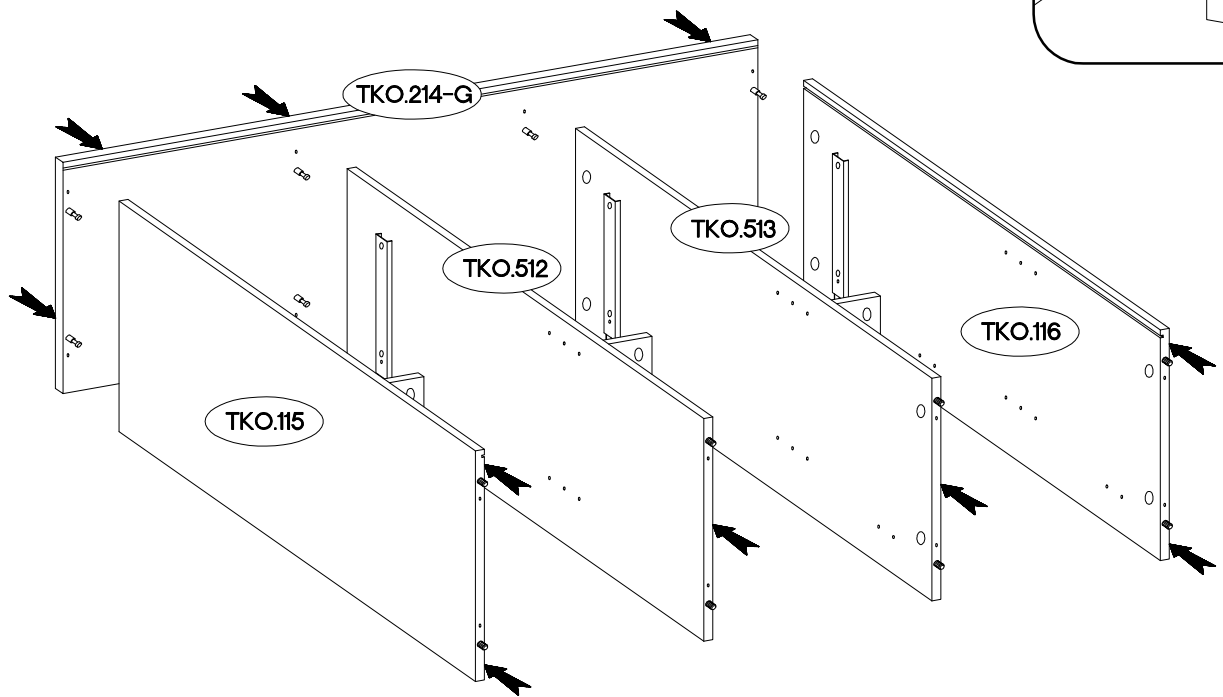
10



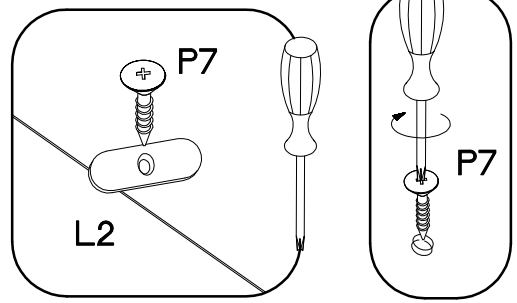
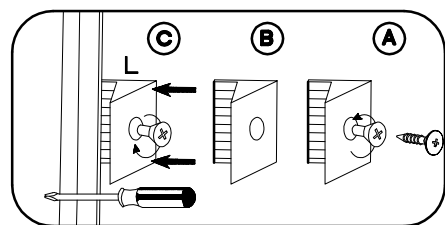
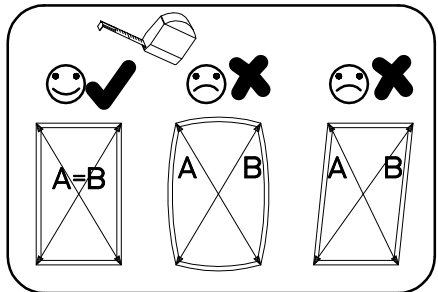
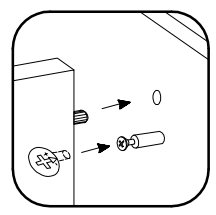
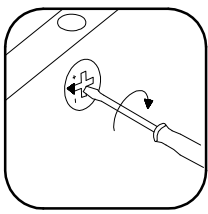
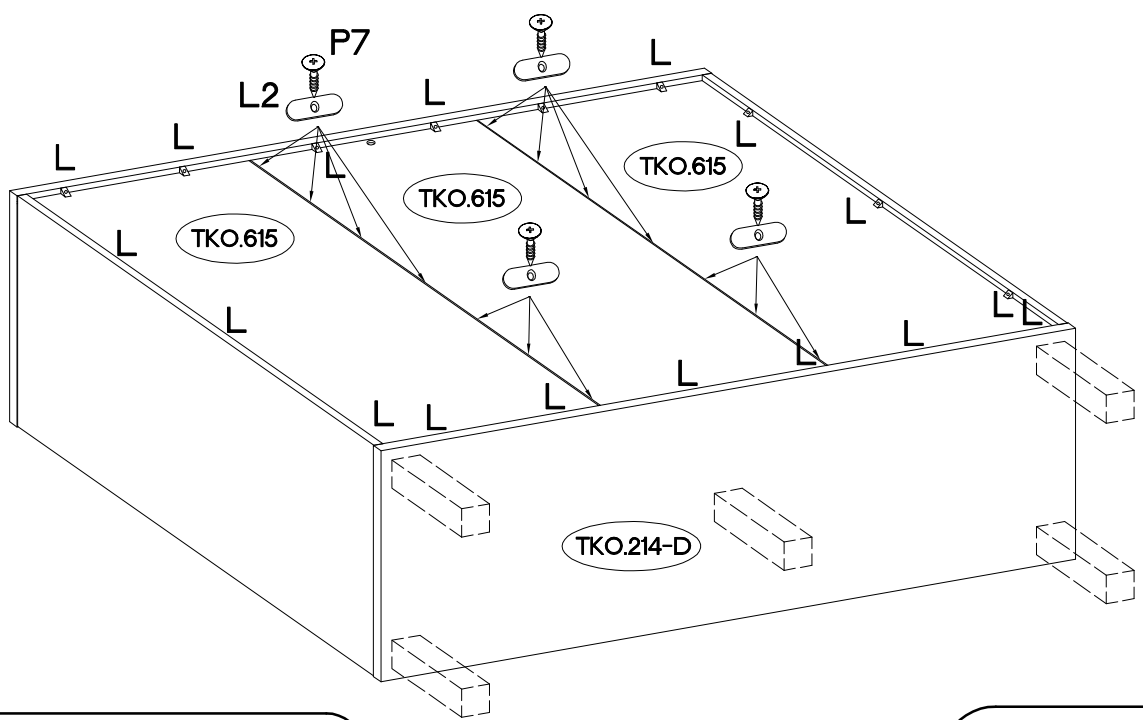
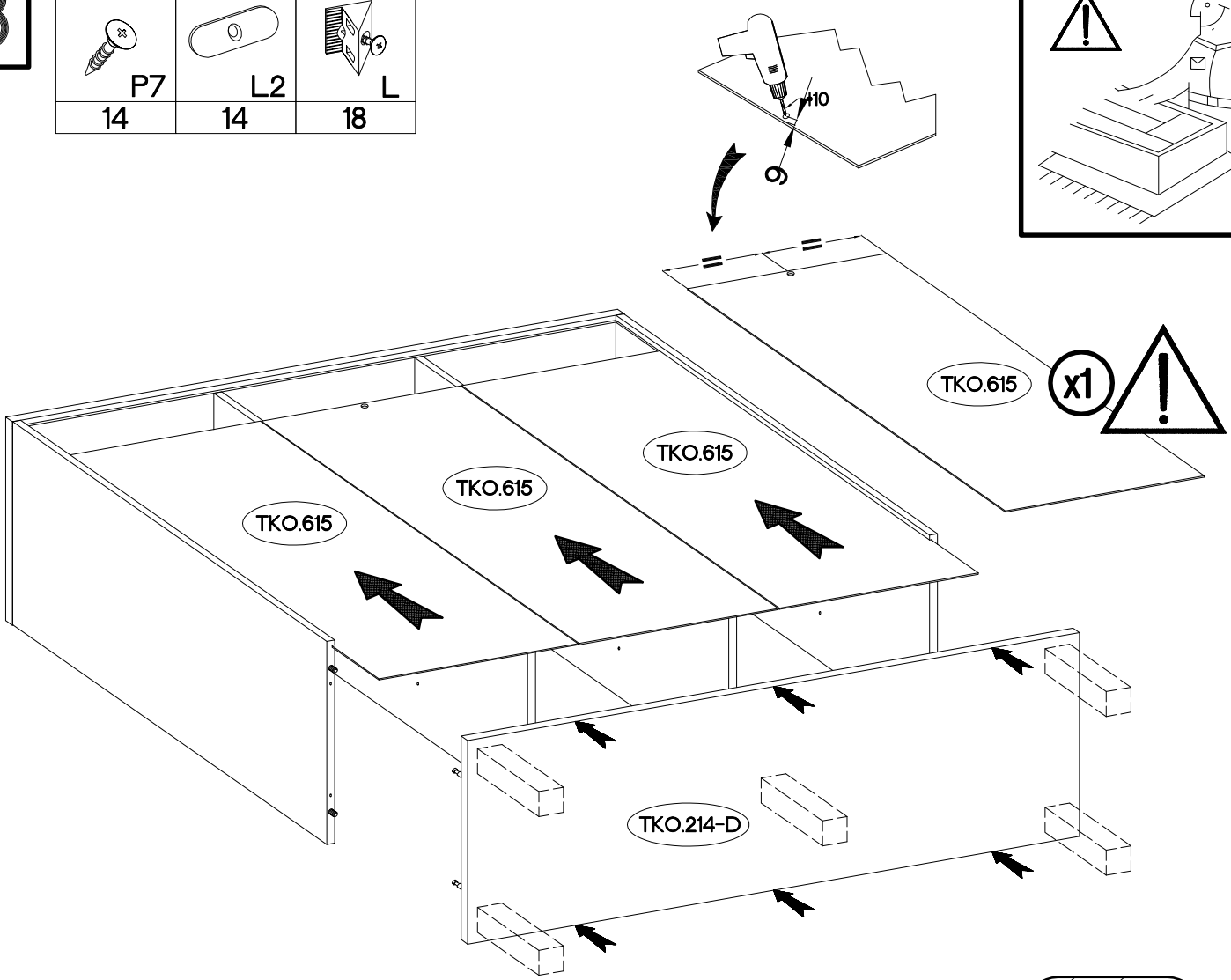
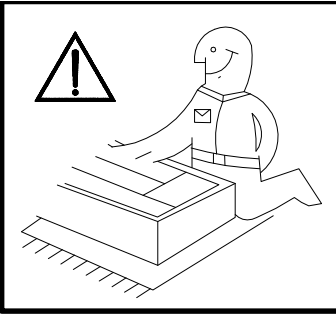
11

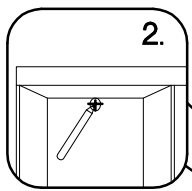



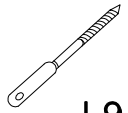

12

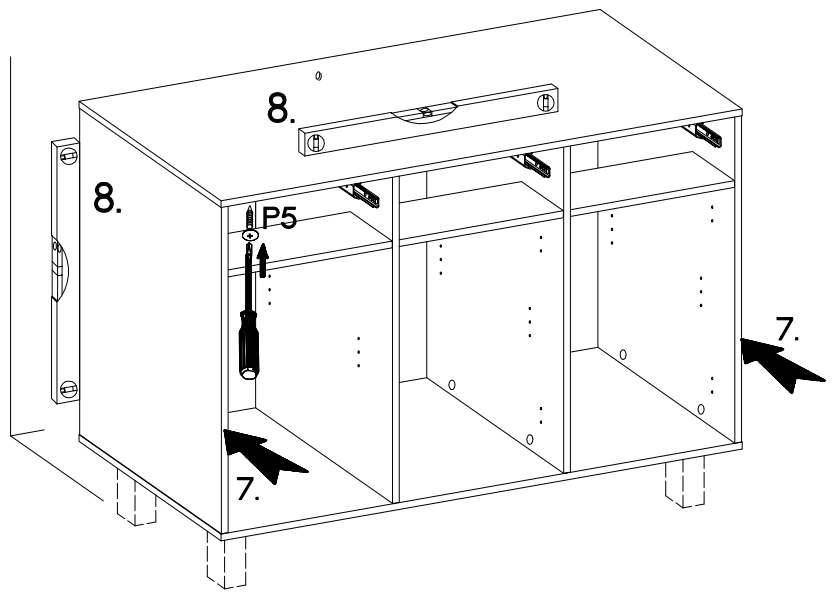
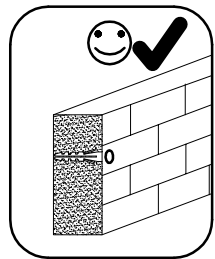
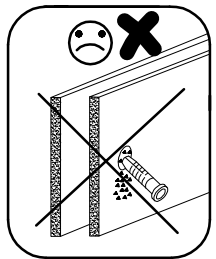
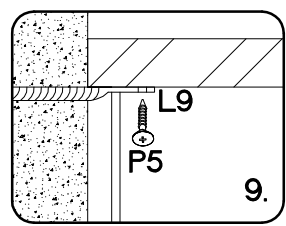
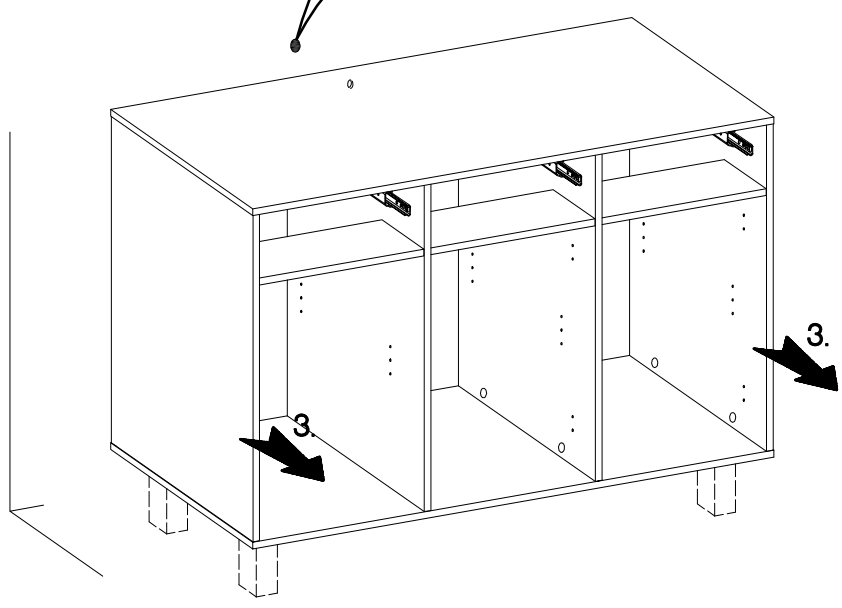
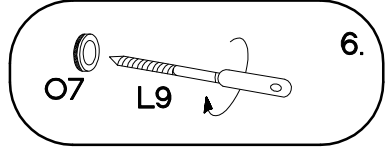
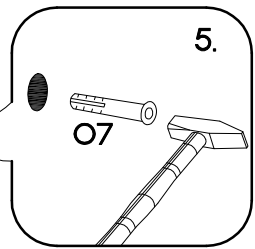
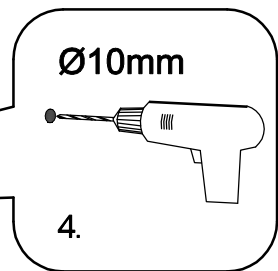
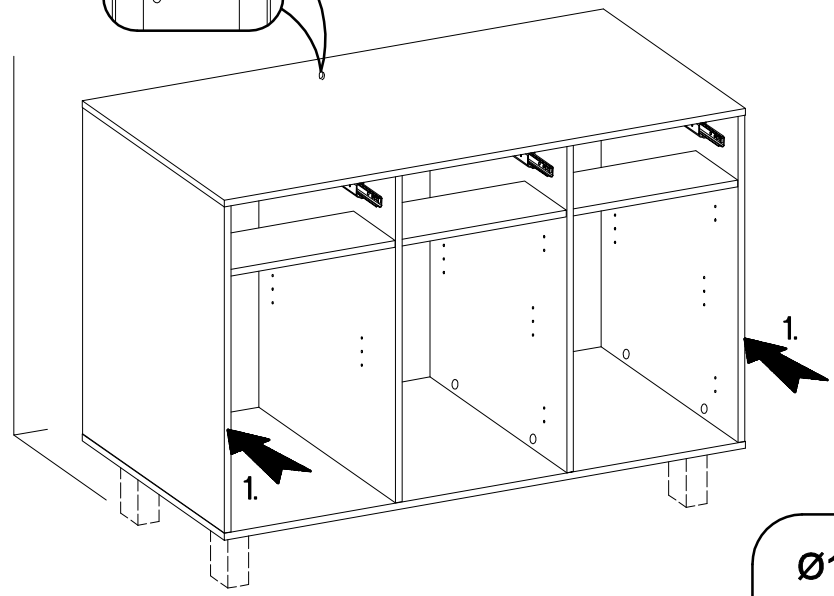


∅3.0x20mm		
P7	L2	L
14	14	18

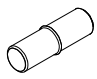


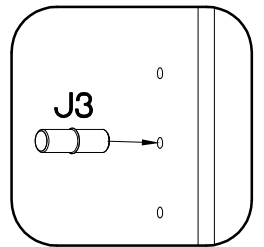
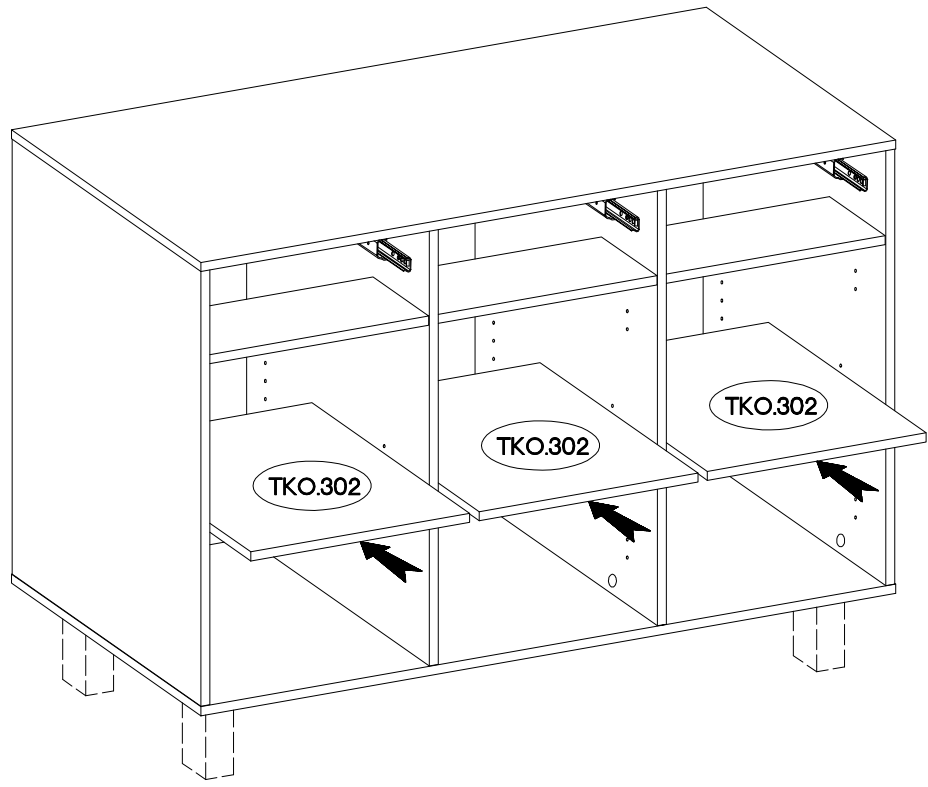


$\pm 10 \times 50 \text{mm}$  Ø7 1	 L9 1	$\pm 3.5 \times 13 \text{mm}$  P5 1
---	---	---




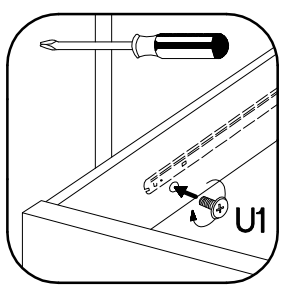
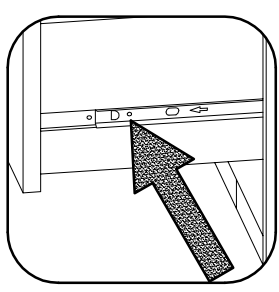
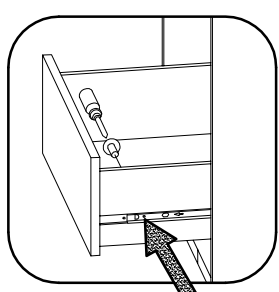
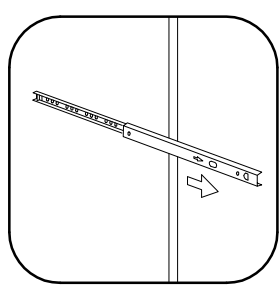
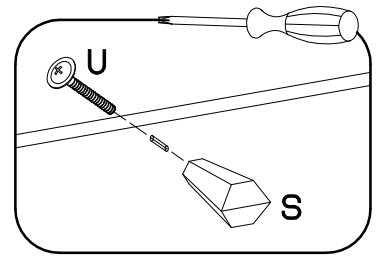
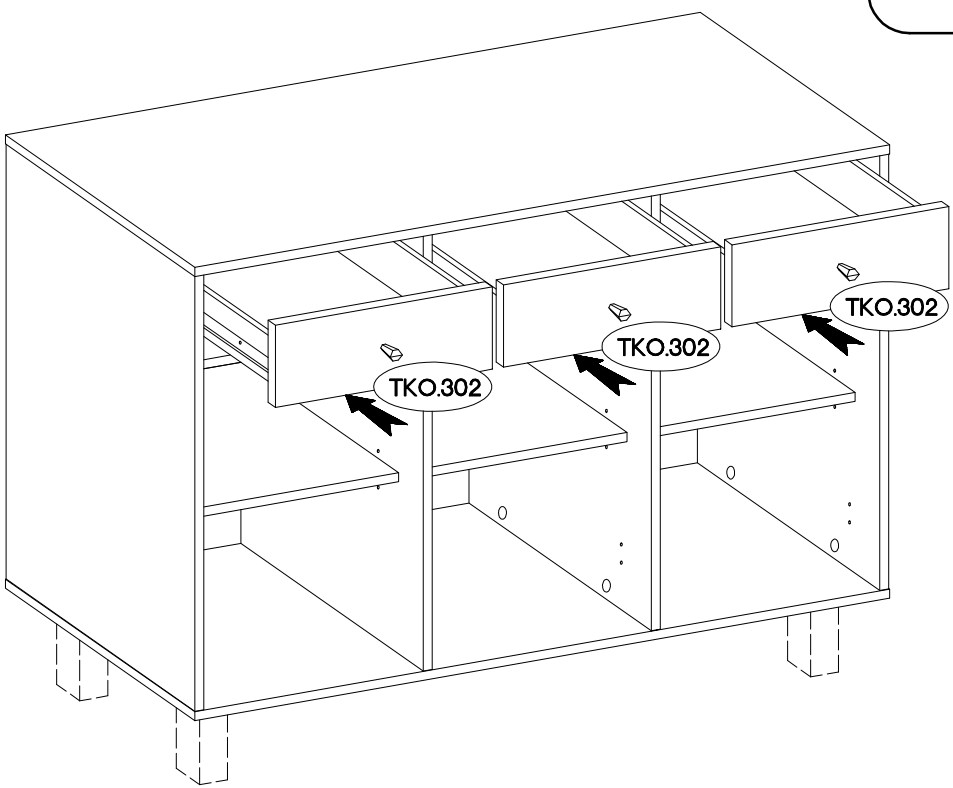
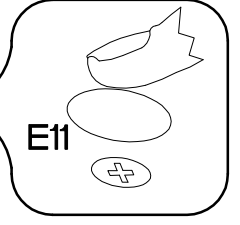
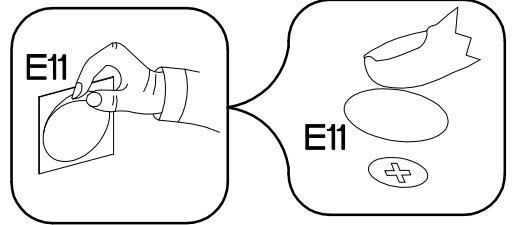
15

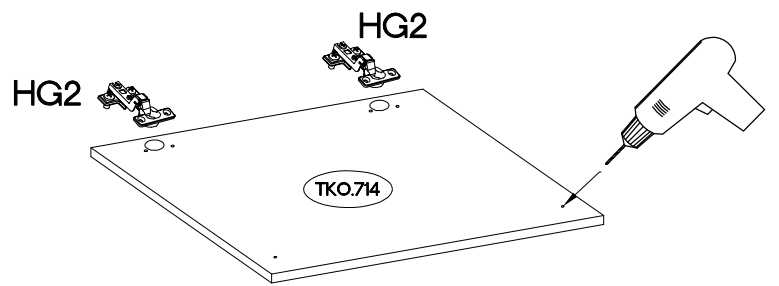
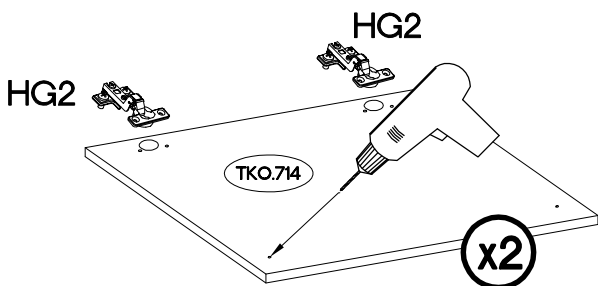
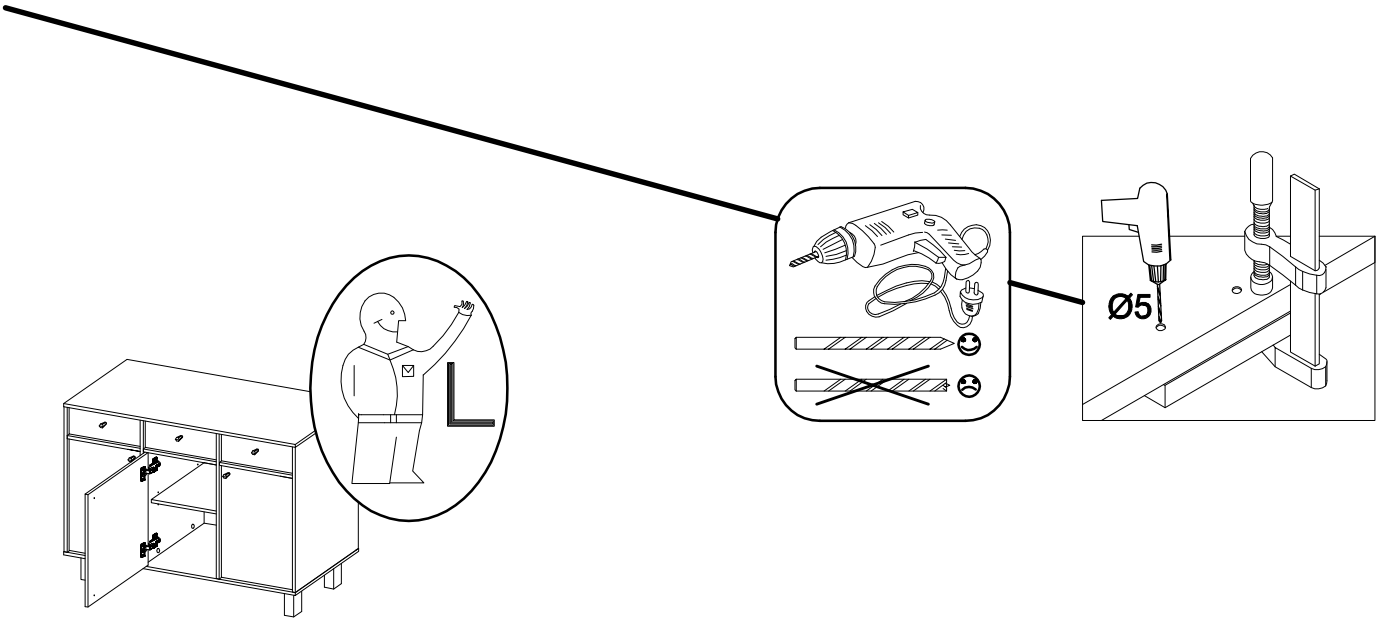
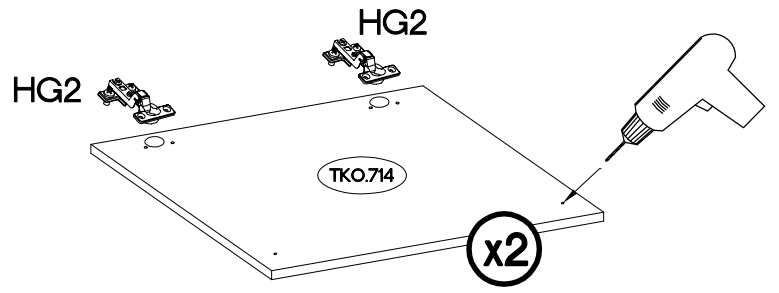
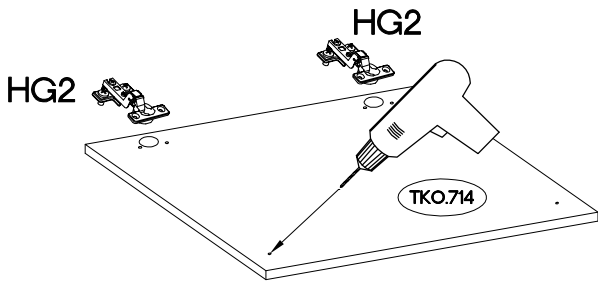
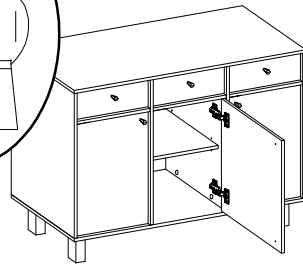
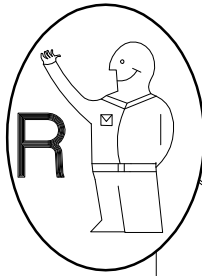
±5/16mm

J3
12



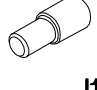


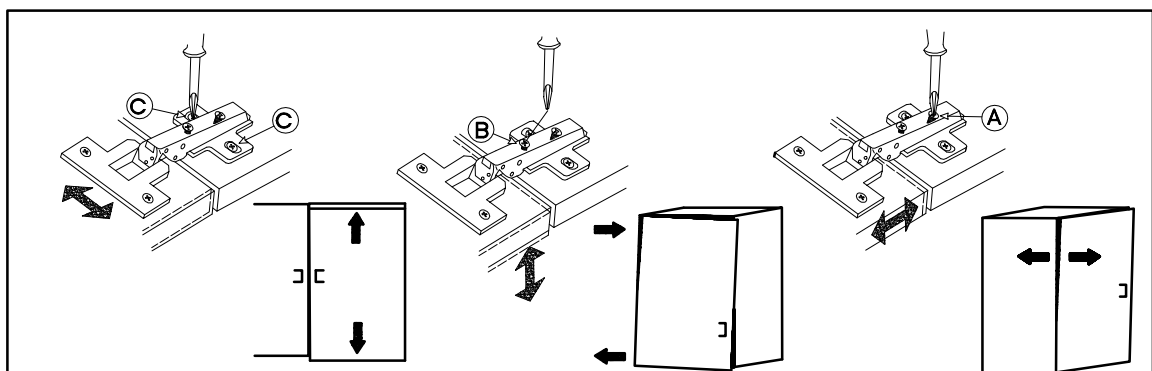
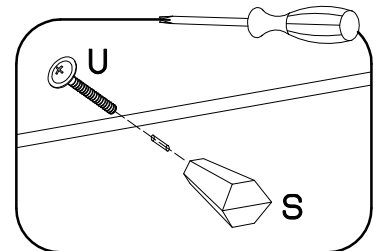
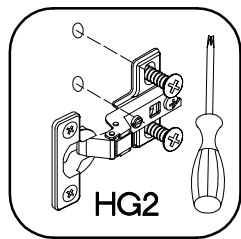
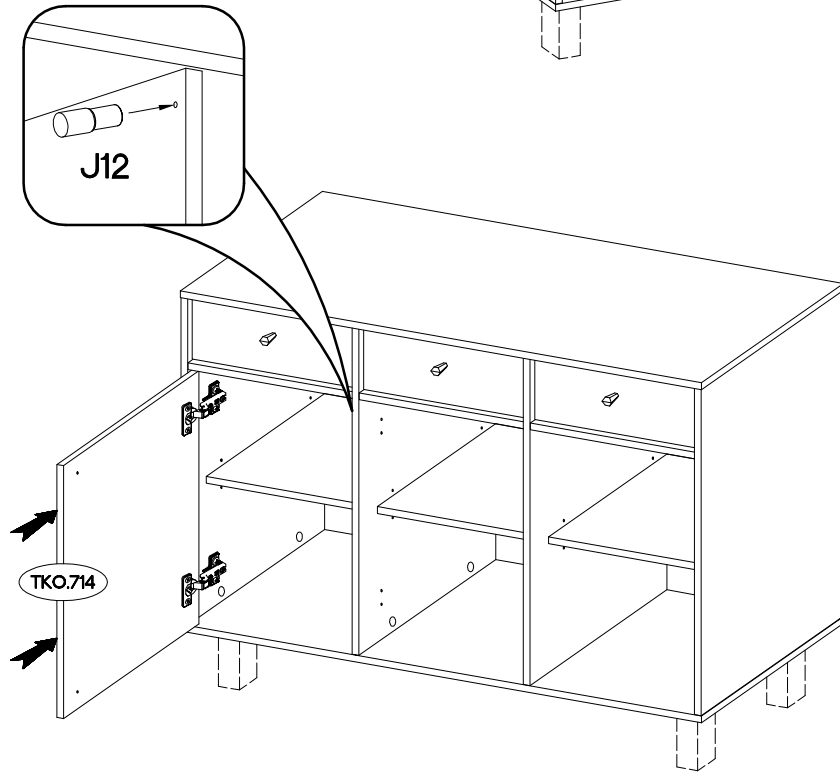
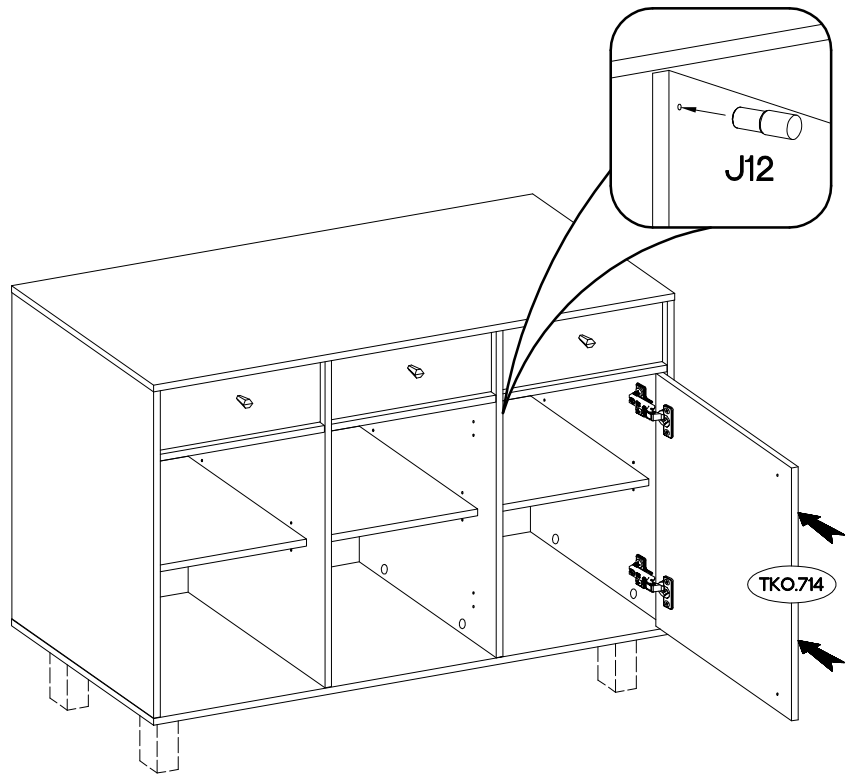
16



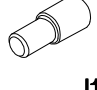
M4x9mm		M4x22mm	±20
U1	S	U	E11
6	3	3	14





 S	M4x22mm  U	 J12
2	2	2



		
S	U	J12
1	1	1

