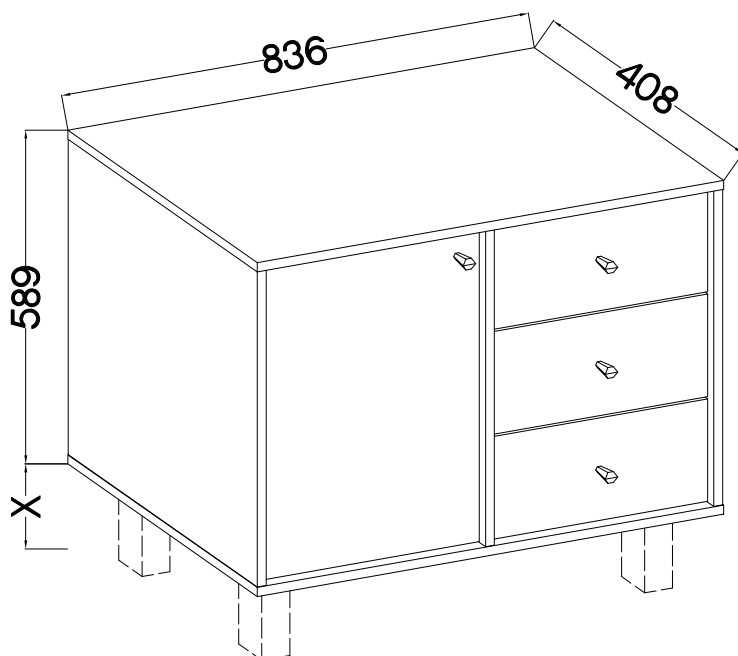
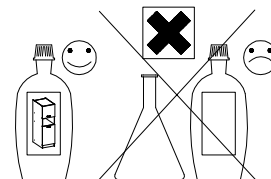
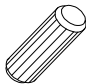

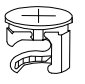
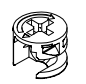
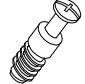
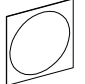


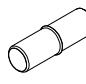
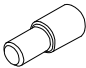
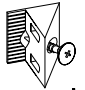
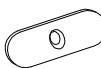










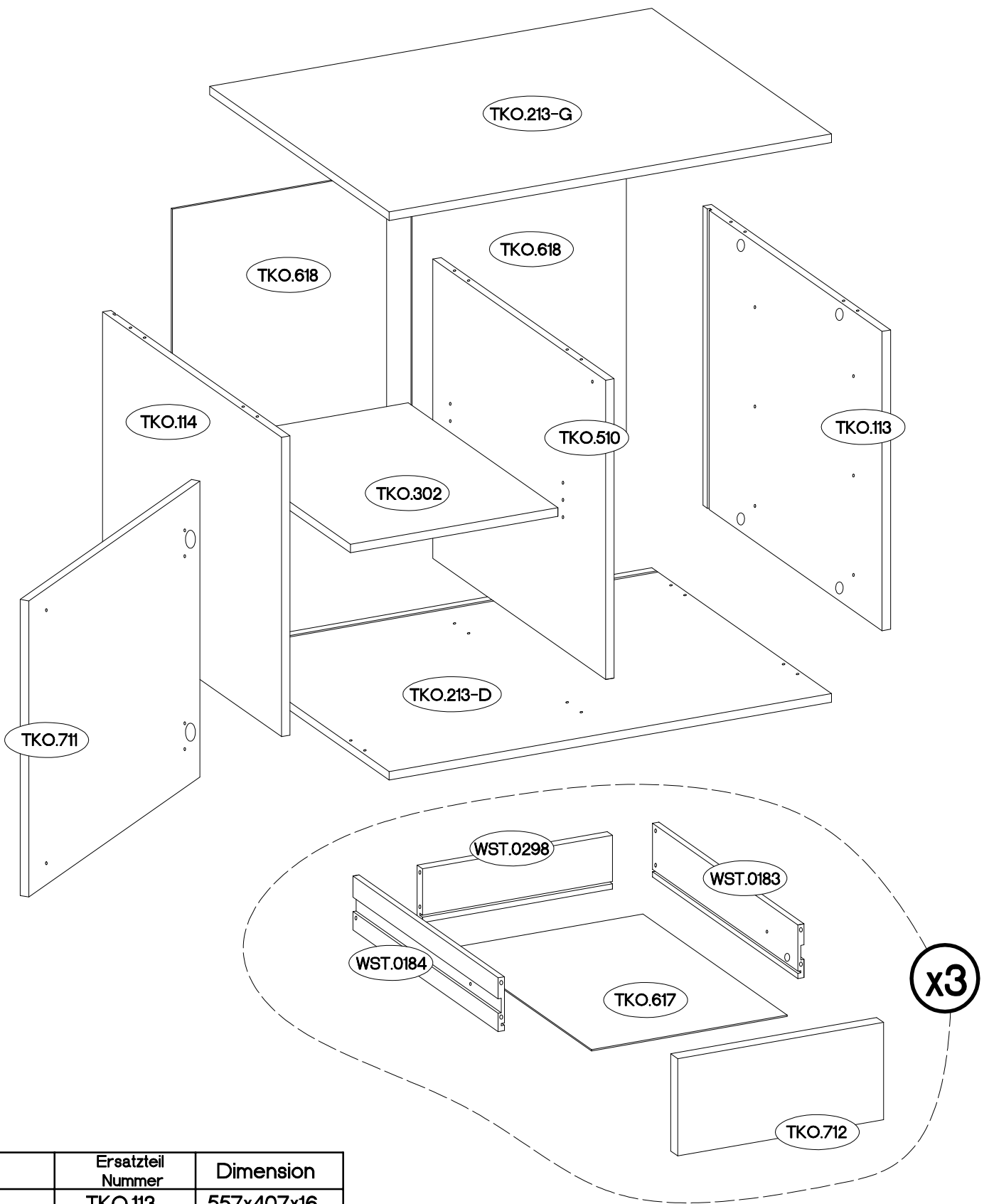
90 min

TYP 814



 A 24	 B2 6	 C 12	 C5 6	 D2 18	 E11 4	 HG2 2	 I4 3	 J3 4		
 J12 1	 L 18	 L2 5	 L9 1	 M2 12	 O7 1	 P5 5	 P7 5	 S 4	 U 4	 U1 6

ISM-TKO-011



	Ersatzteil Nummer	Dimension
	TKO.113	557x407x16
	TKO.114	557x407x16
	TKO.510	557x393x16
	TKO.213 x2	836x408x16
	TKO.302	392x340x16
	TKO.618 x2	566x405x2,5
	TKO.617 x3	370x327x2,5
	WST.0183 x3	330x100x12
	WST.0184 x3	330x100x12
	WST.0298 x3	359x100x12
	TKO.712 x3	389x181x16
	TKO.711	551x389x16



TKO.213-D
TKO.213-G


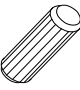


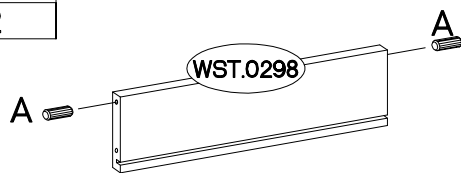
TKO.302



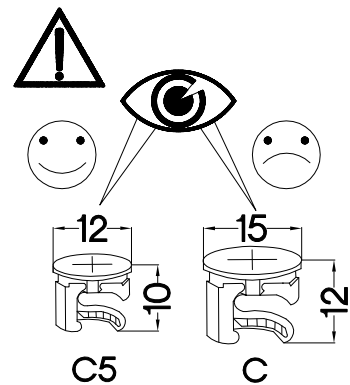
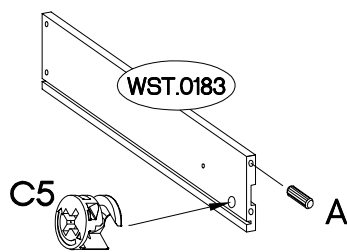
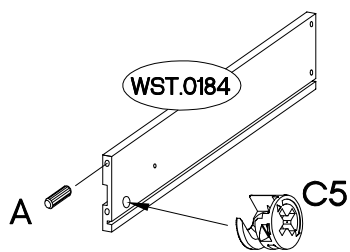
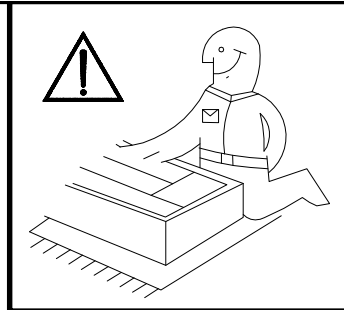
TKO.617

1

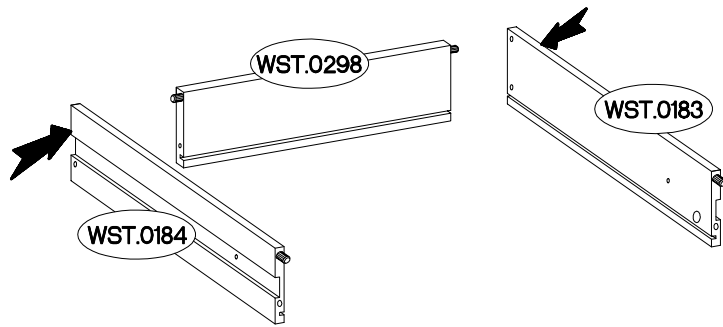
#12/10mm  C5 6	#8x30mm  A 12
---	--




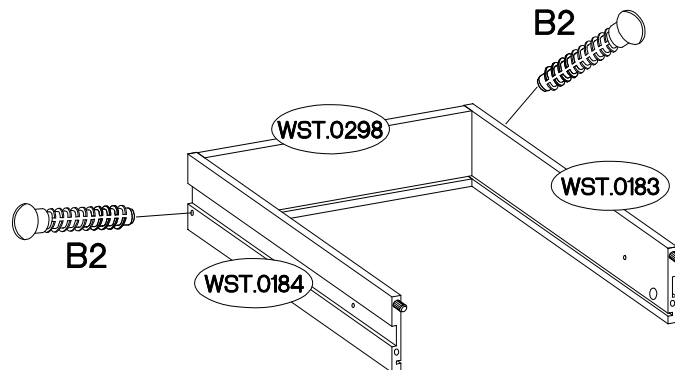
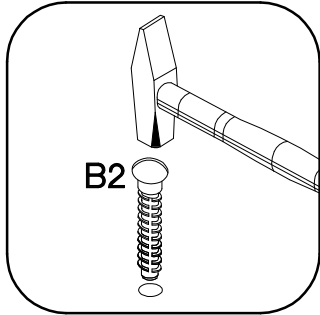
x3



2




#6x42mm  B2 6

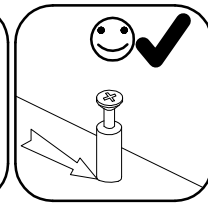
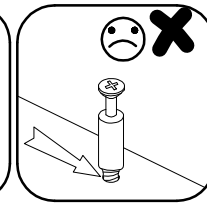
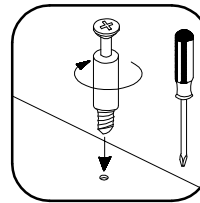
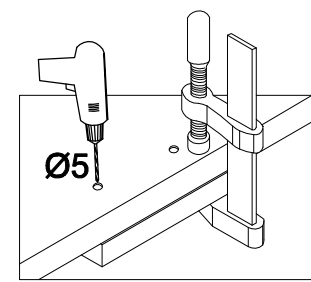
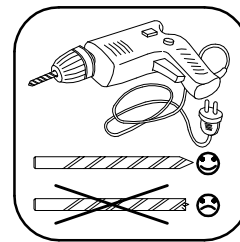
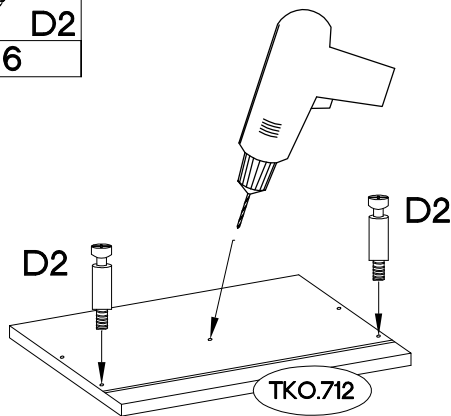


x3

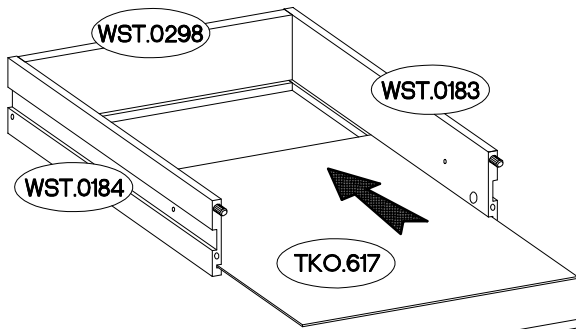
3

L=20mm  D2 6
--

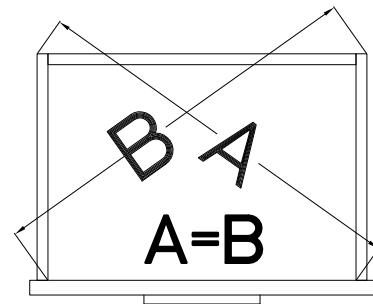
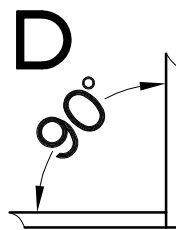
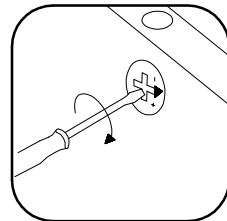
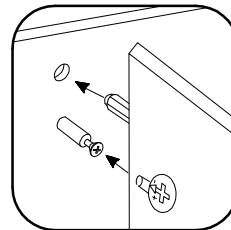
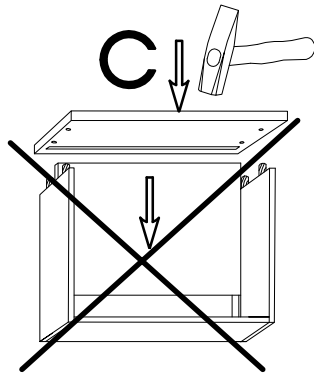
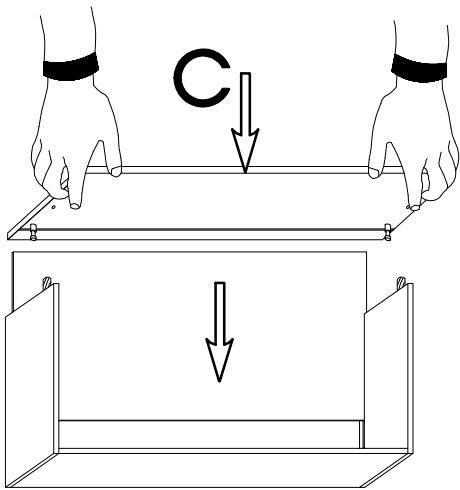
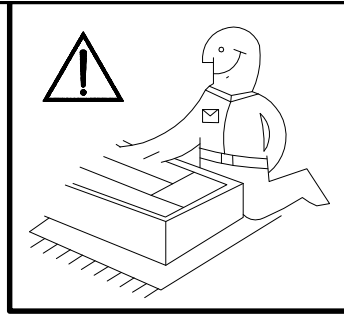
x3



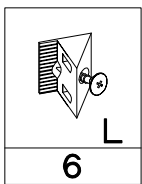
4



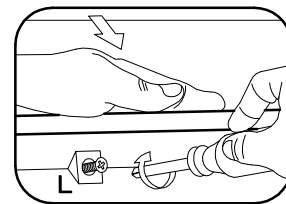
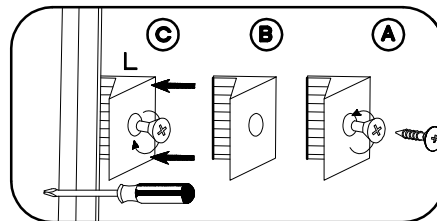
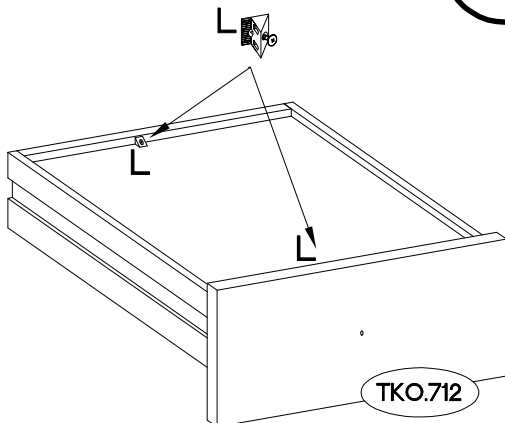
x3



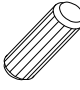

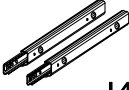

5

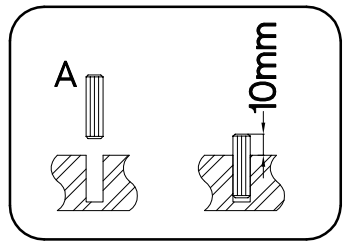
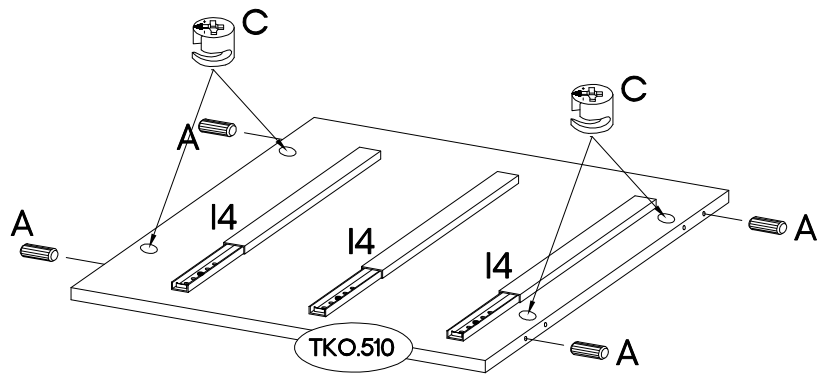
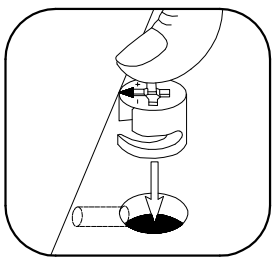
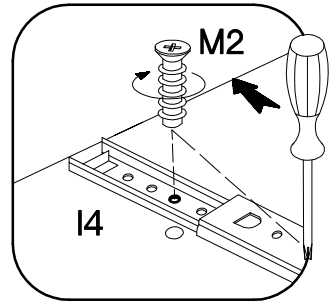
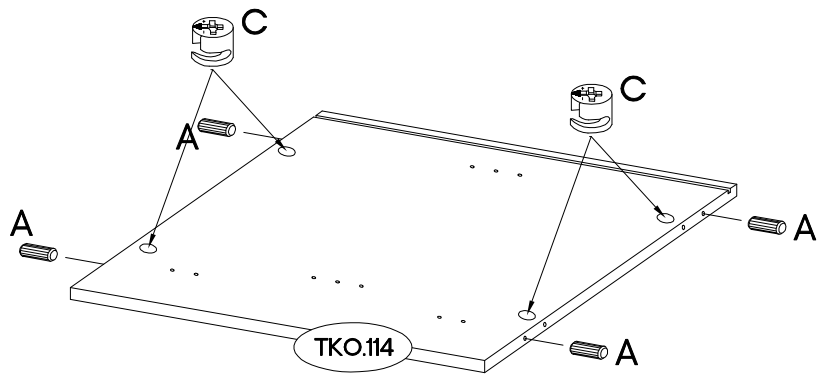
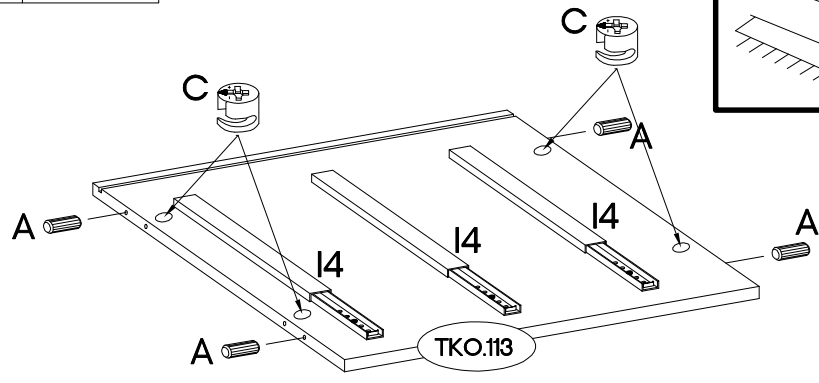
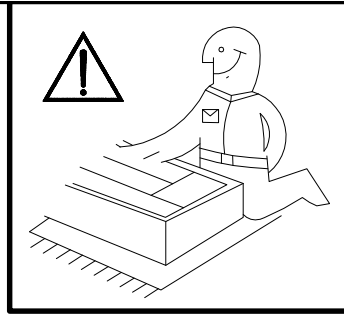


x3




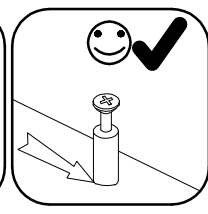
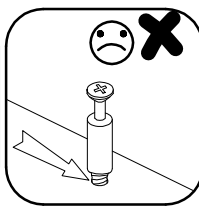
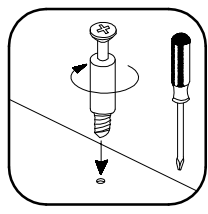
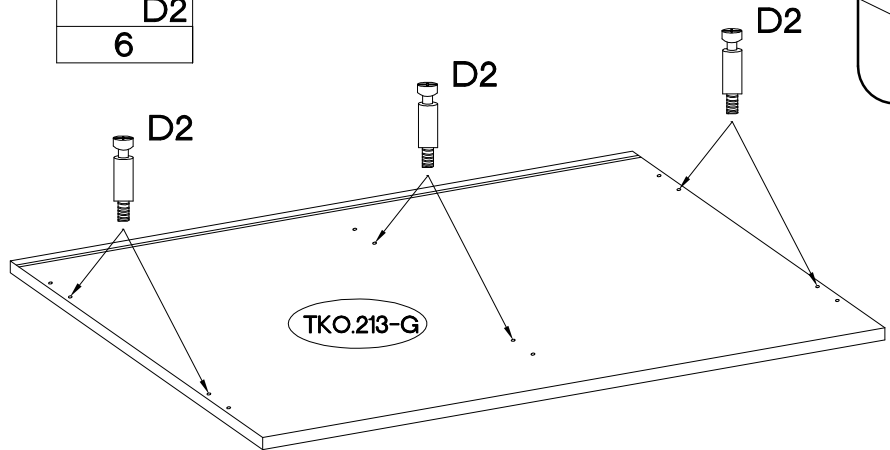
6

$\pm 8 \times 30 \text{mm}$  A 12	$\pm 15 / 12 \text{mm}$  C 12	$27 / 310 \text{mm}$  I4 3	$\pm 6,3 \times 13 \text{mm}$  M2 12
--	--	---	---

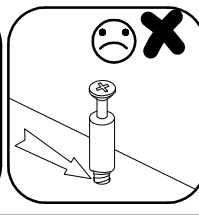
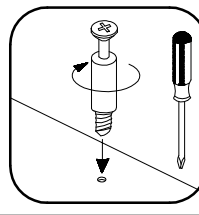
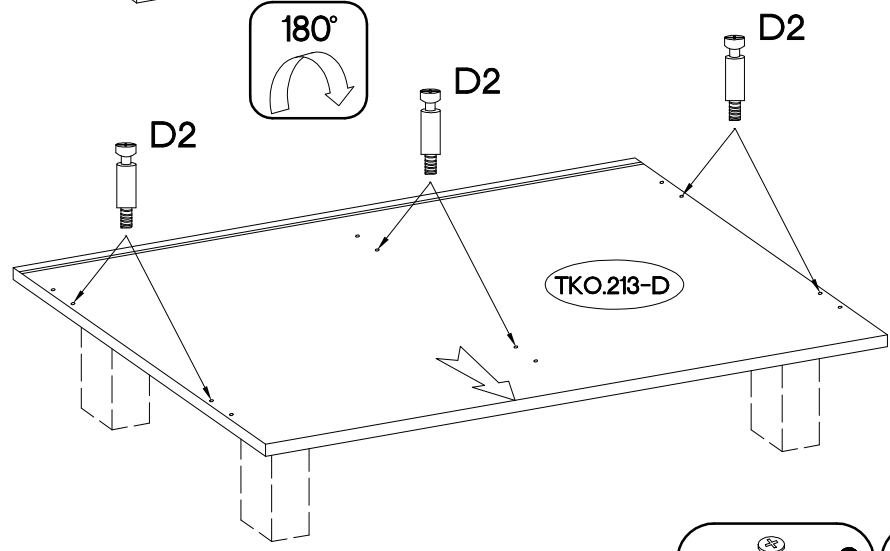
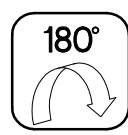
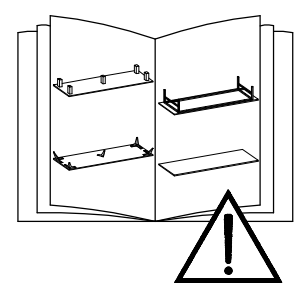
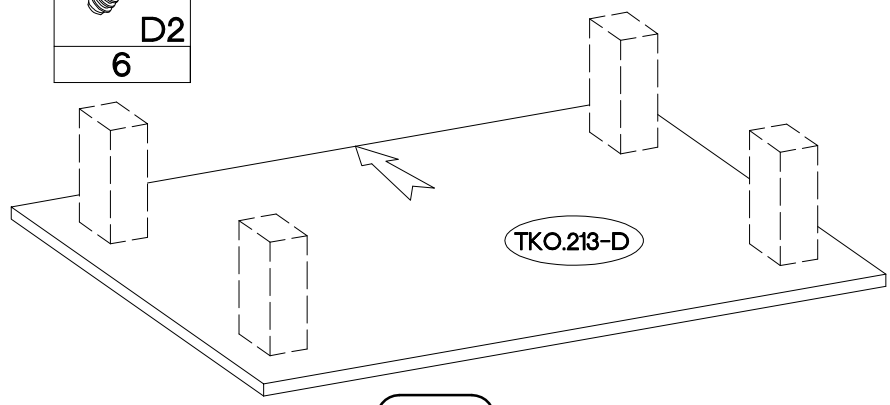
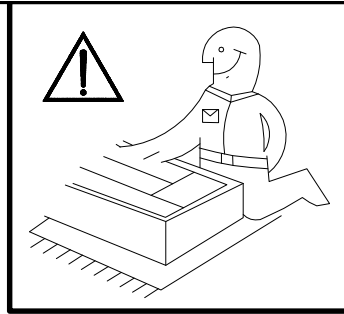
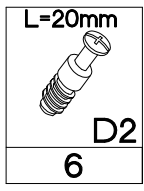


7

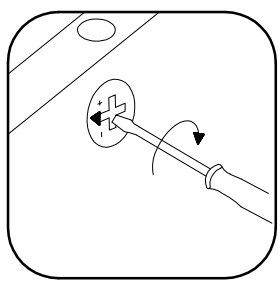
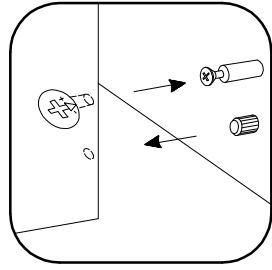
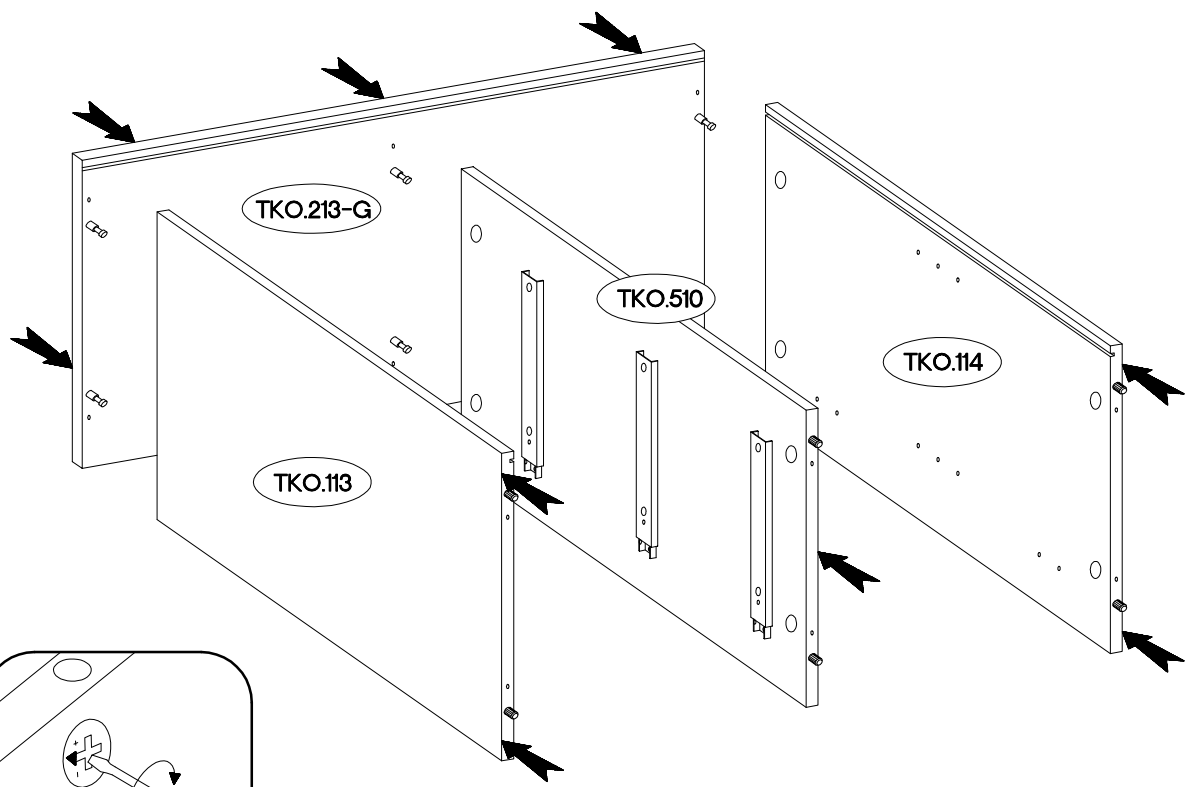
$L=20 \text{mm}$  D2 6
--




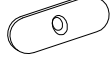
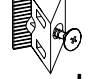
8

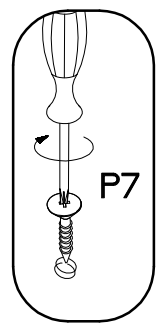
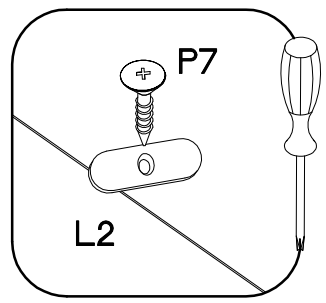
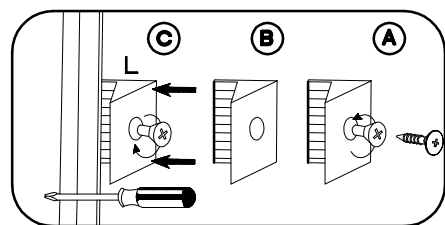
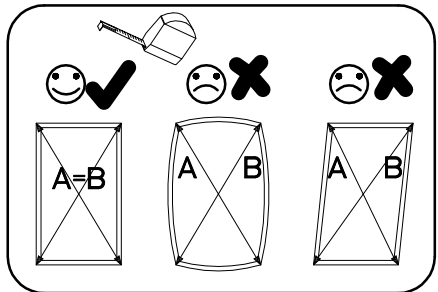
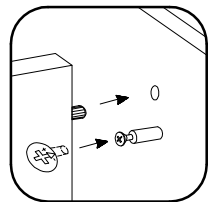
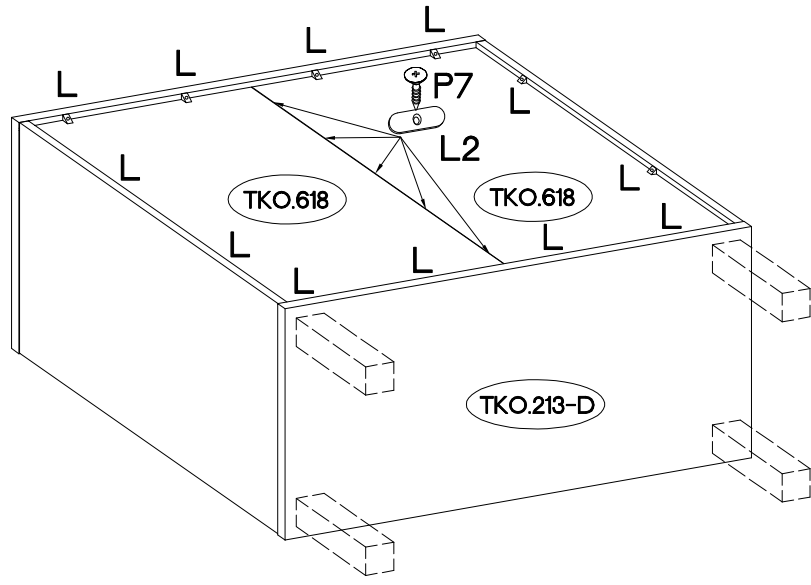
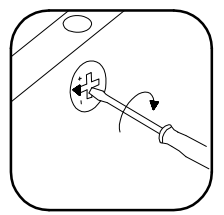
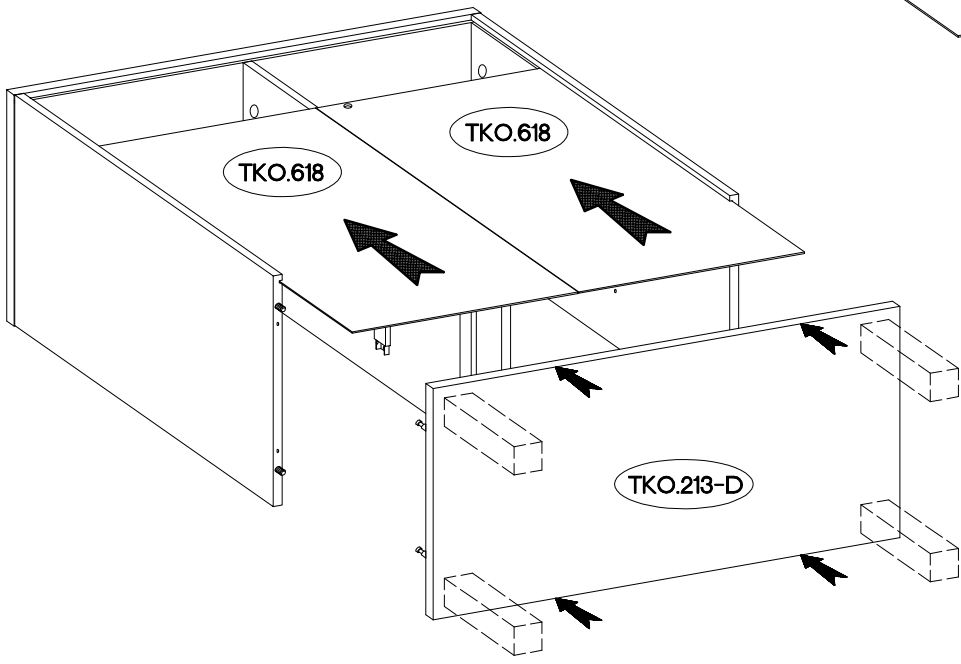
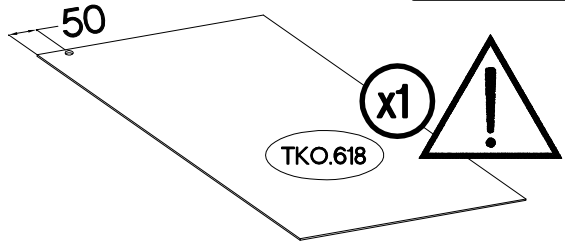
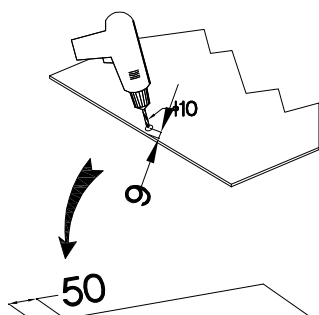
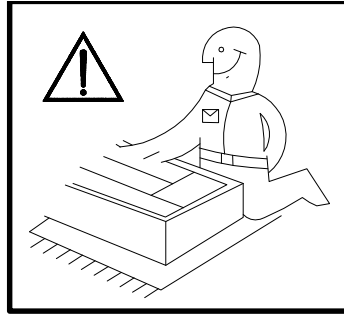


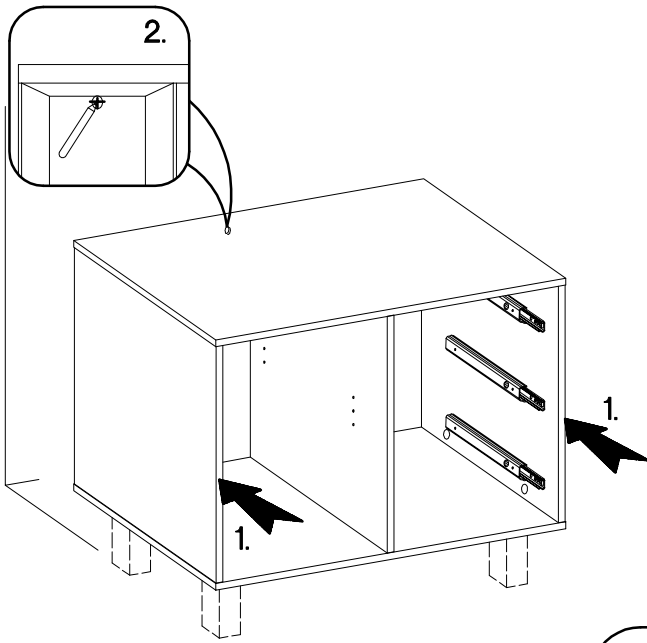
9






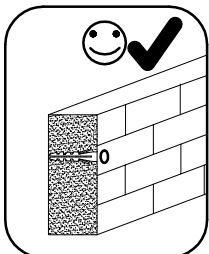
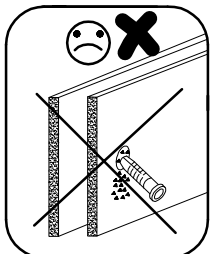
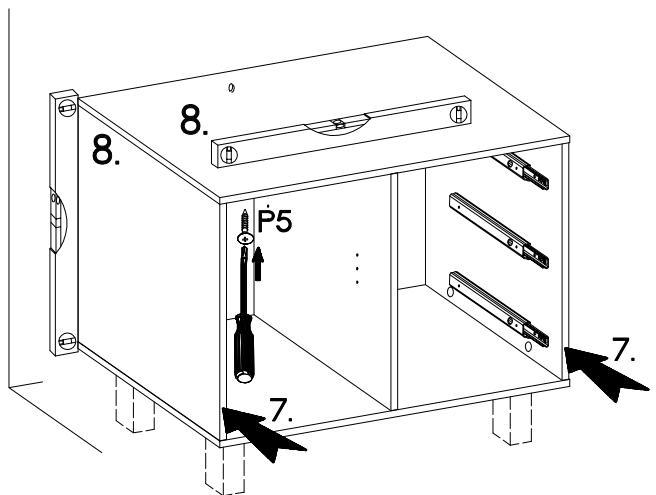
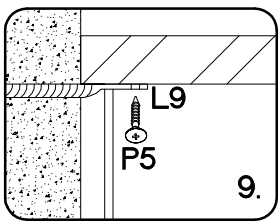
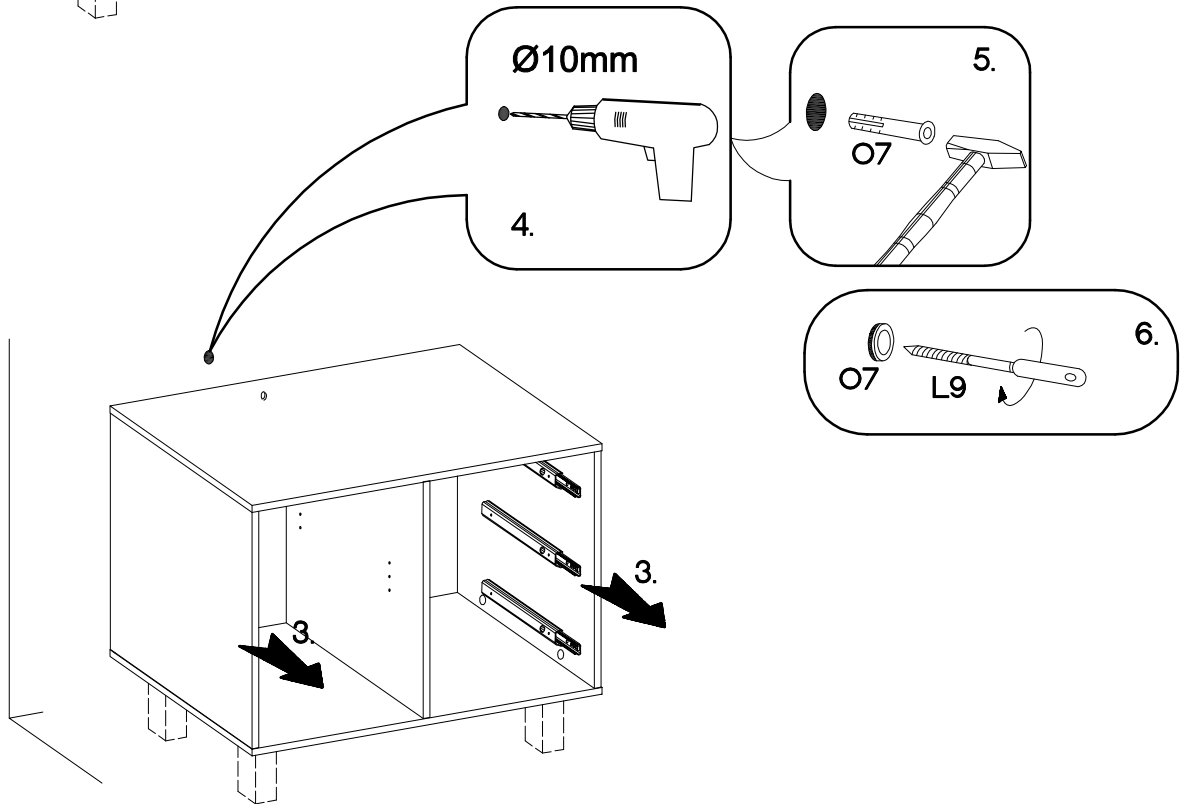
φ3.0x20mm

		
P7	L2	L
5	5	12

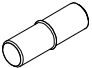


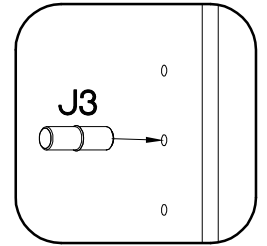
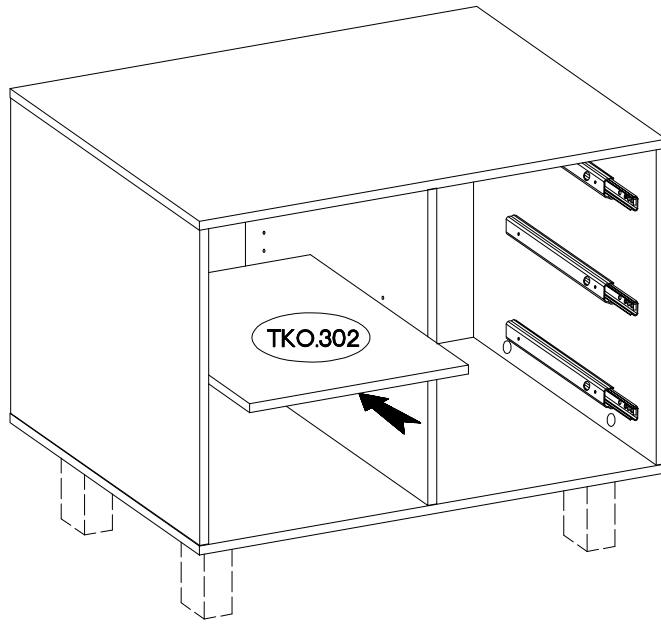


+10x50mm  O7 1	 L9 1	+3.5x13mm  P5 1
---	---	---






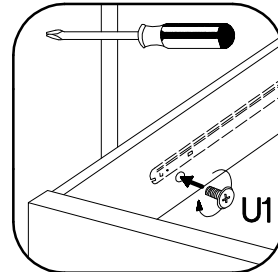
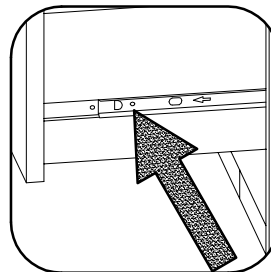
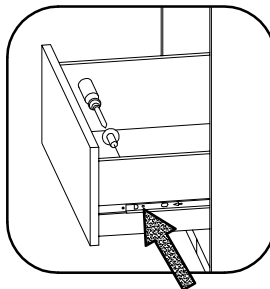
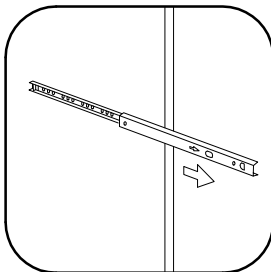
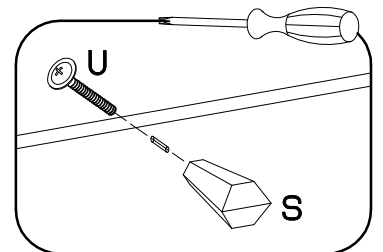
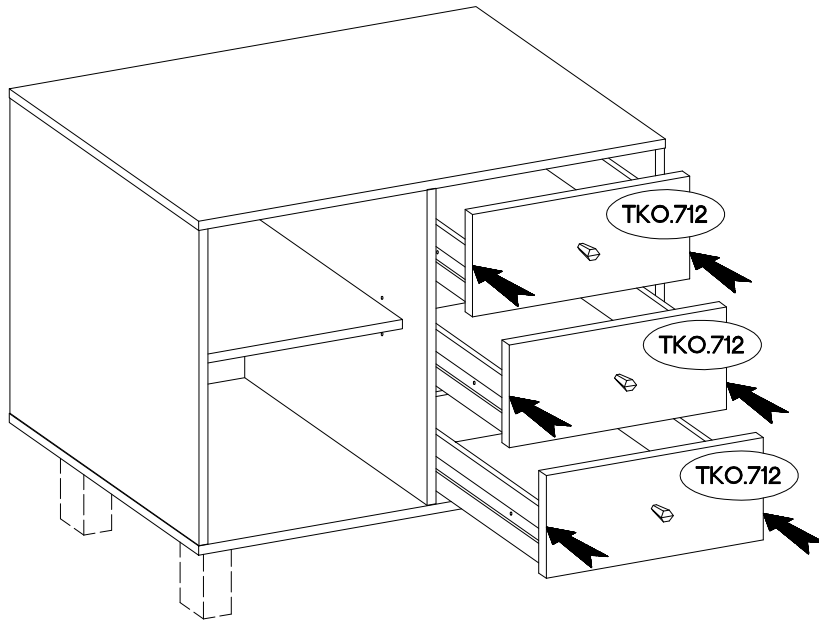
12

±5/16mm

J3
4



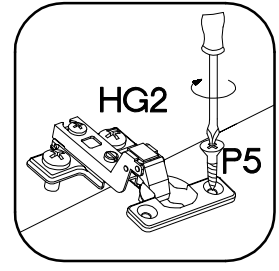
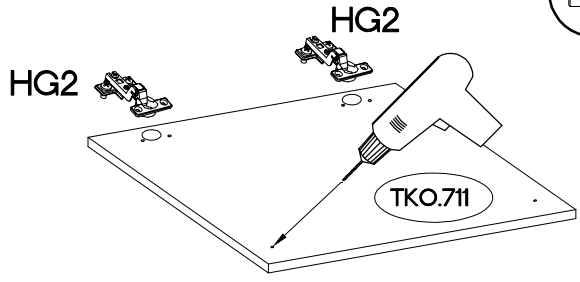
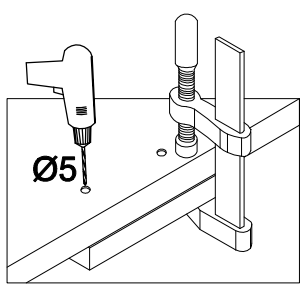
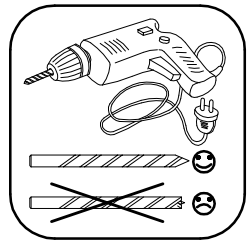
13

M4x9mm			M4x22mm	
	U1	S		U
6		3	3	



14

$\pm 35/16\text{mm}$	$\pm 3.5 \times 13\text{mm}$
HG2	P5
2	4



15

	M4x22mm		± 20
S		U	E11
1		1	4

