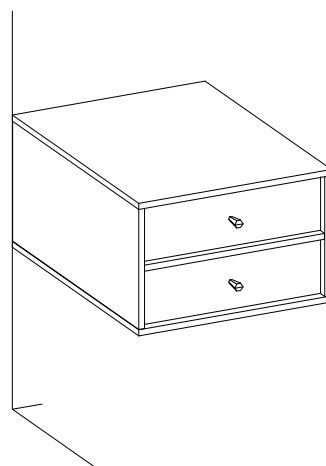
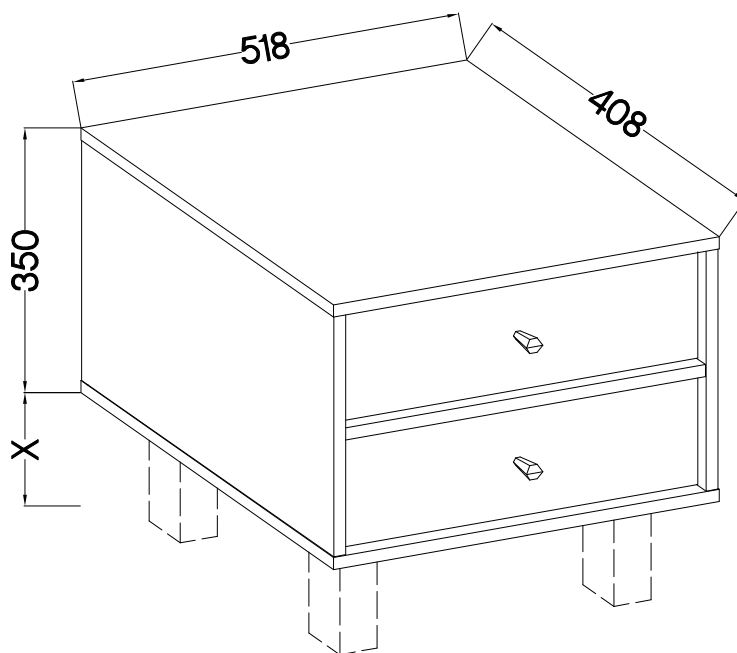
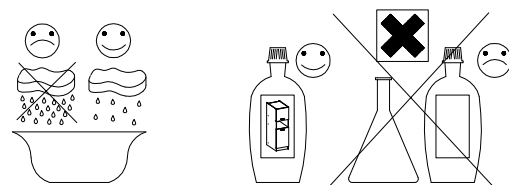


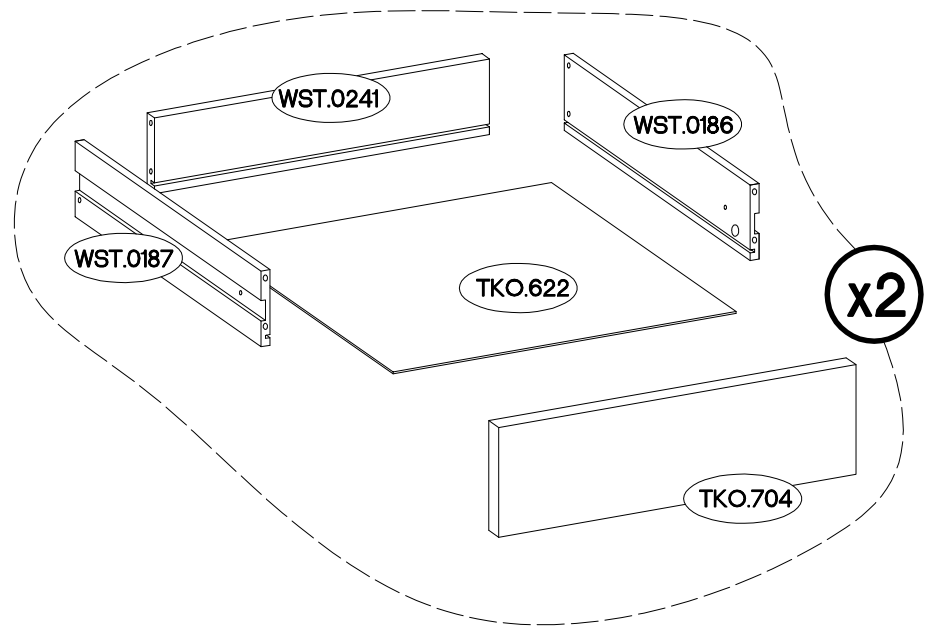
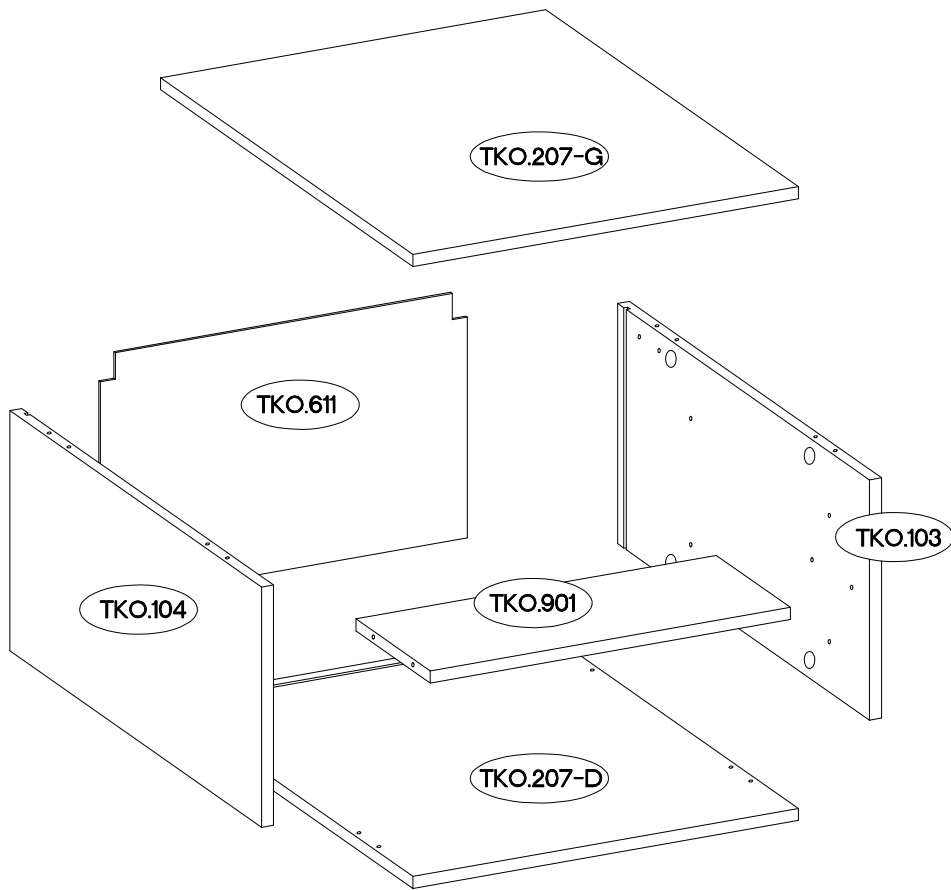
60 min

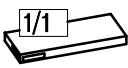
TYP 801

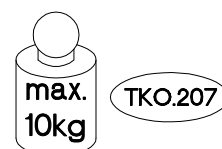


 †8x30mm <b>A</b> 18	 †6x42mm <b>B2</b> 4	 †15/12mm <b>C</b> 10	 †12/10mm <b>C5</b> 4	 L=20mm <b>D2</b> 14							
 27/310mm <b>I4</b> 2	 <b>K25</b> 1	 <b>K26</b> 1	 <b>L</b> 8	 †6,3x13mm <b>M2</b> 8	 6,5/68mm <b>O4</b> 2	 †10x50mm <b>O7</b> 2	 †4.0x30mm <b>P8</b> 4	 <b>S</b> 2	 M4x22mm <b>U</b> 2	 M4x9mm <b>U1</b> 4	


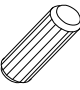
ISM-TKO-004

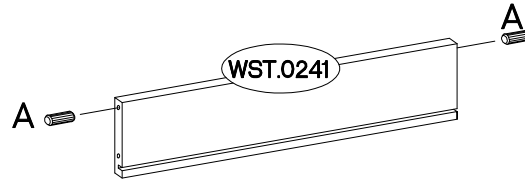
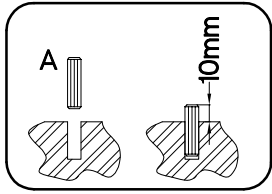


	Ersatzteil Nummer	Dimension
	TKO.103	318x407x16
	TKO.104	318x407x16
	TKO.207 x2	518x408x16
	TKO.901	484x120x16
	TKO.611	493x327x2,5
	TKO.622 x2	461x297x2,5
	WST.0186 x2	300x100x12
	WST.0187 x2	300x100x12
	WST.0241 x2	450x100x12
	TKO.704 x2	480x145x16

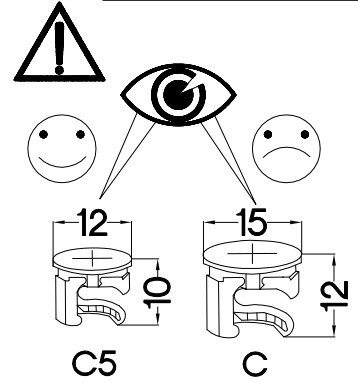
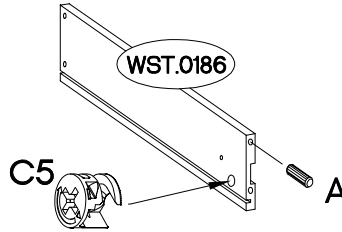
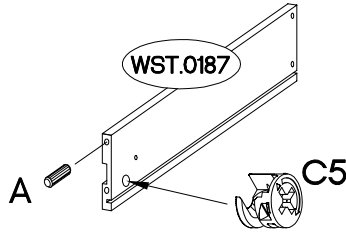
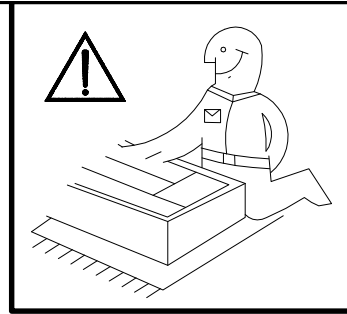


1

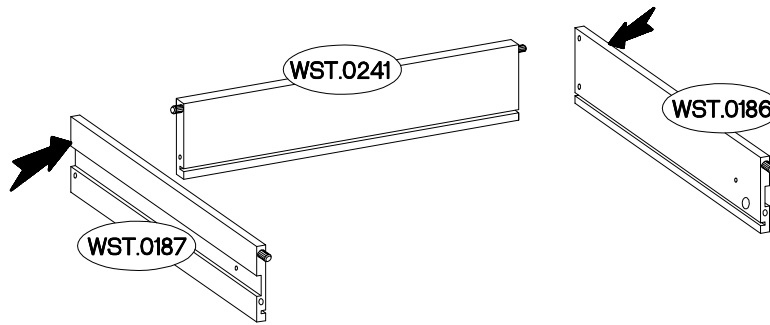
#12/10mm  C5 4	#8x30mm  A 8
---	---




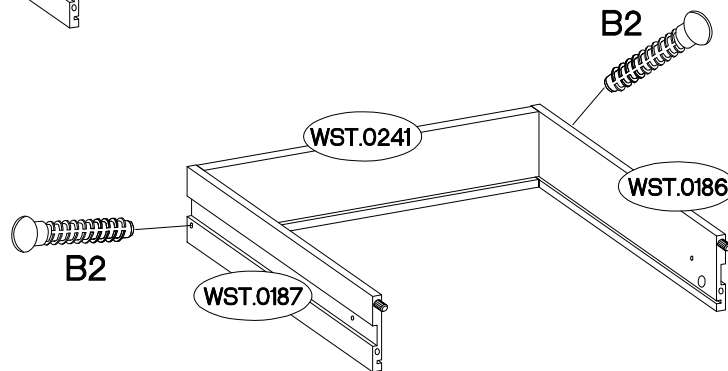
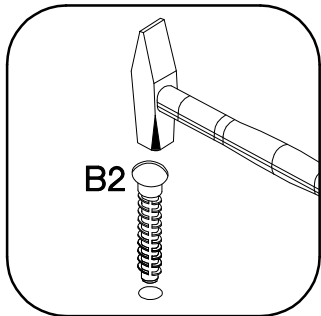
x2



2




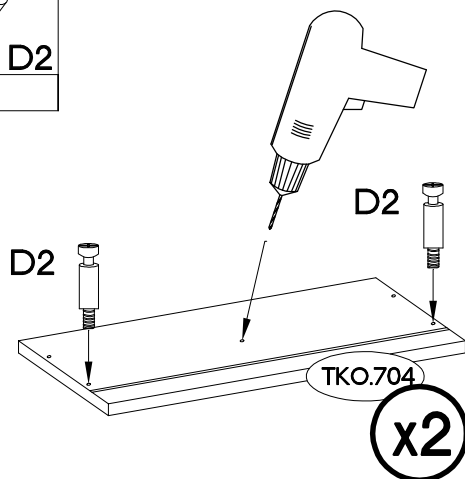
#6x42mm  B2 4
---



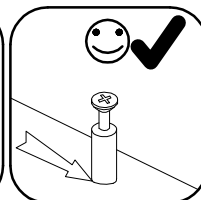
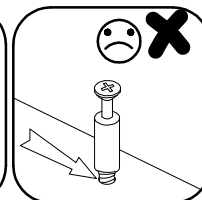
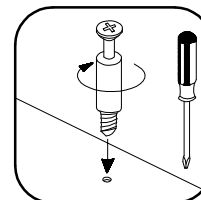
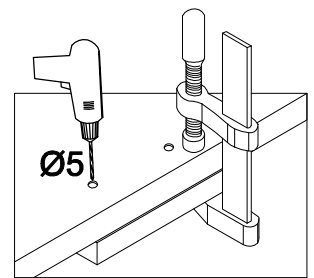
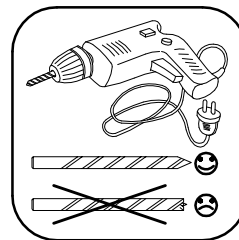
x2

3

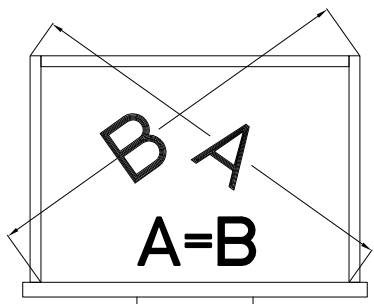
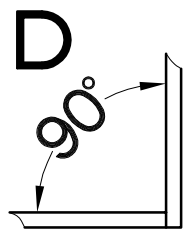
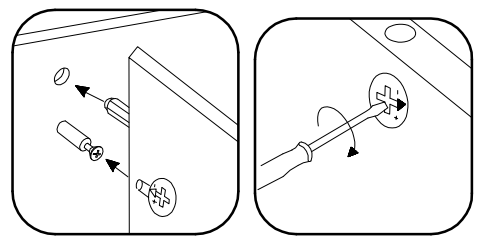
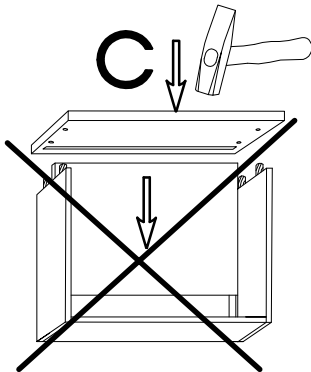
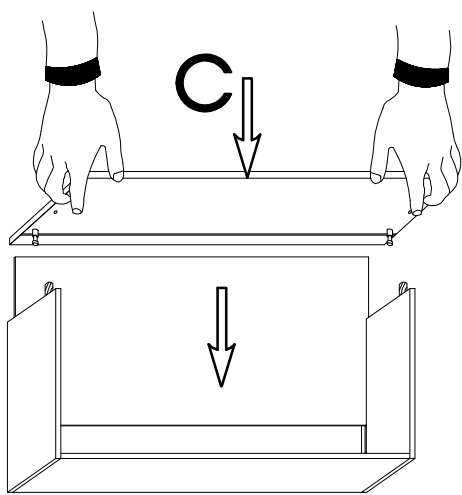
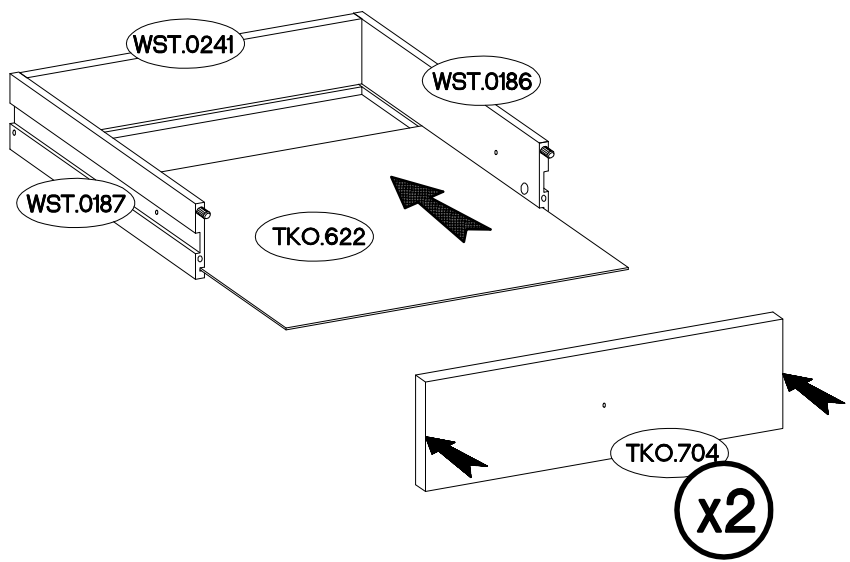
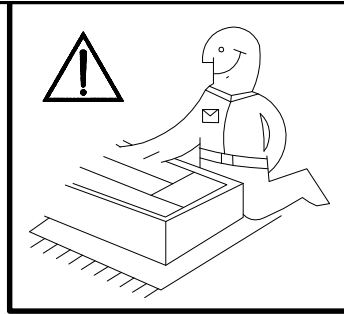
L=20mm  D2 4
--



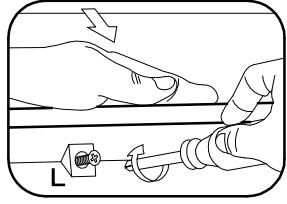
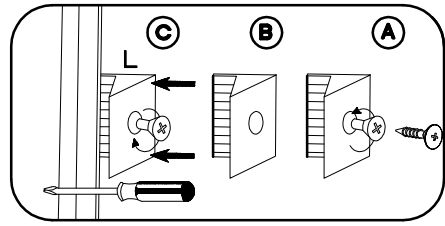
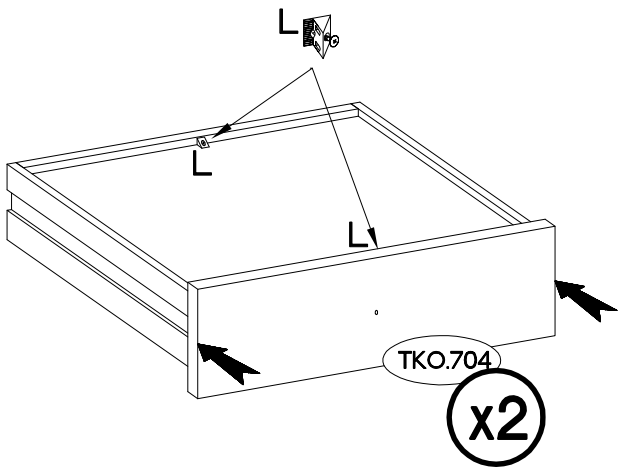
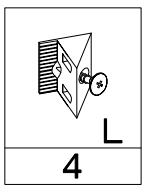
x2



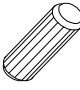






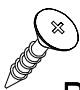
4

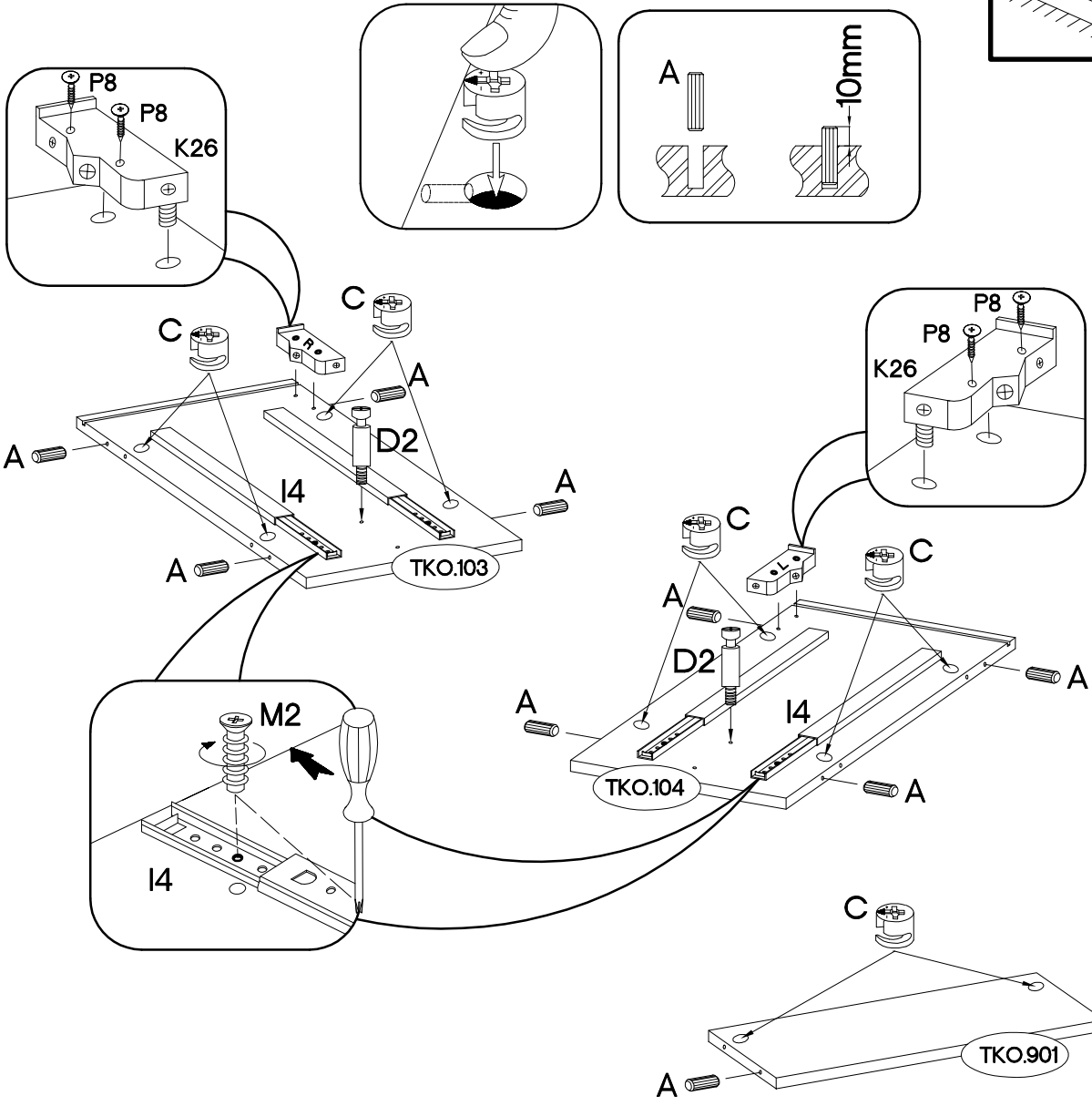
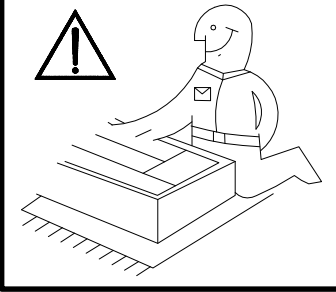


5

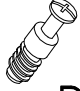


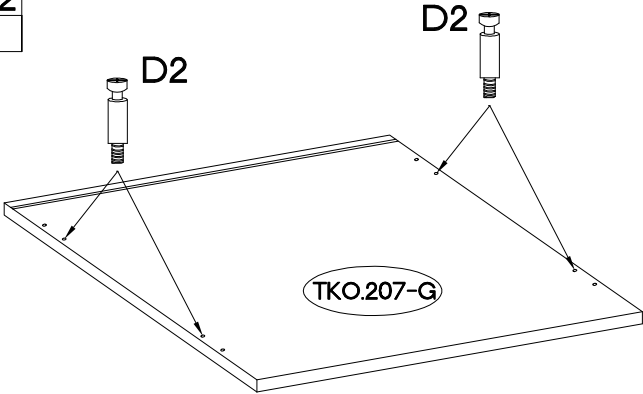
6

+8x30mm  A 10	+15/12mm  C 10	L=20mm  D2 2	27/310mm  I4 2	+6,3x13mm  M2 8	L  K25 1	R  K26 1	+4.0x30mm  P8 4
--	---	---	---	--	---	--	--




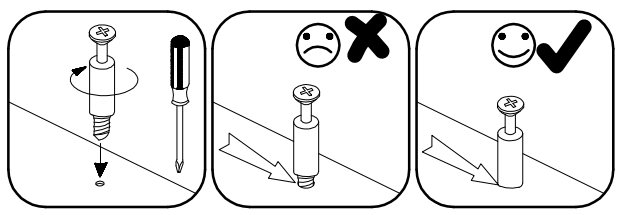
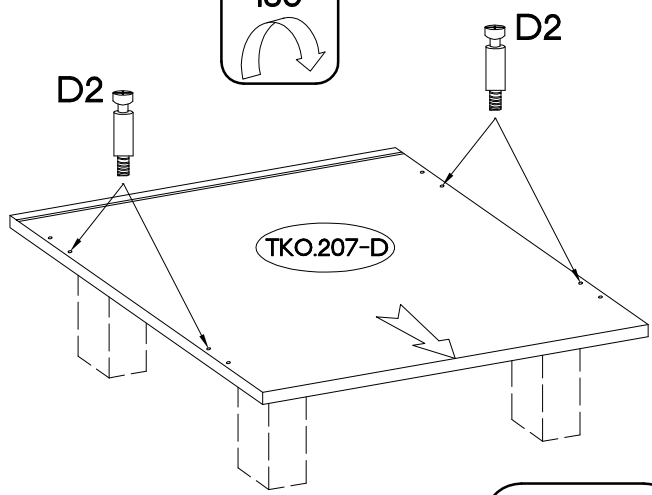
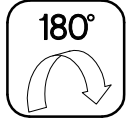
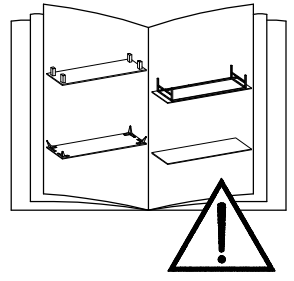
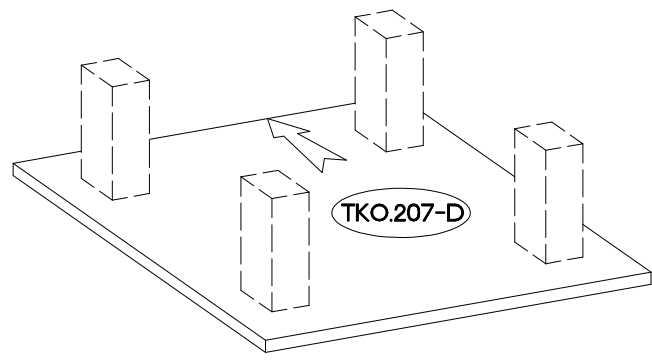
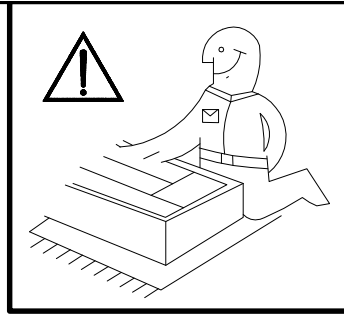
7

L=20mm  D2 4
--

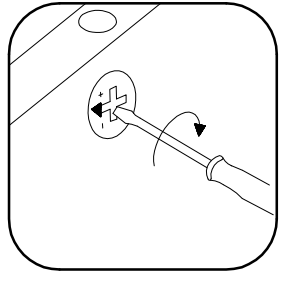
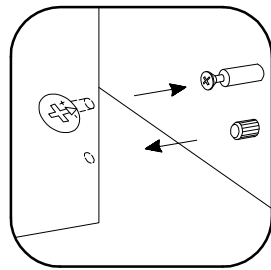
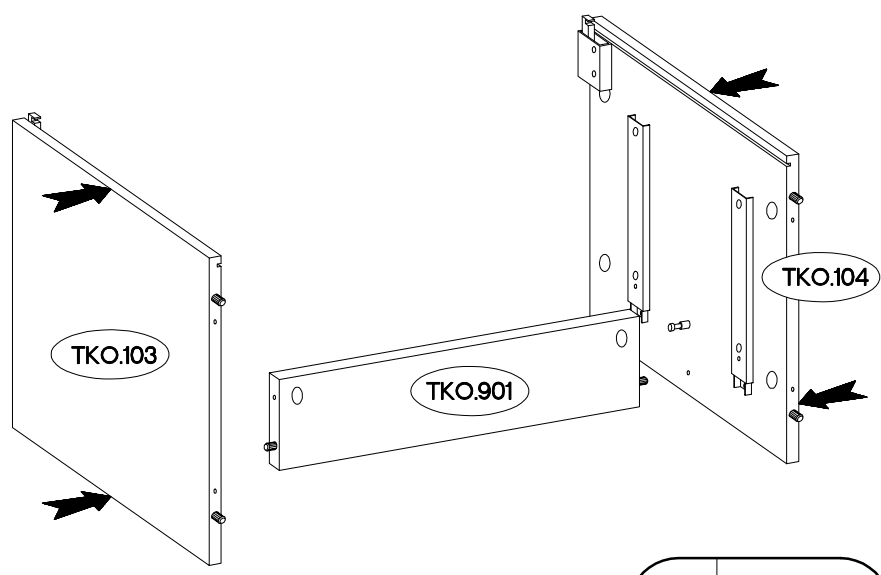


8

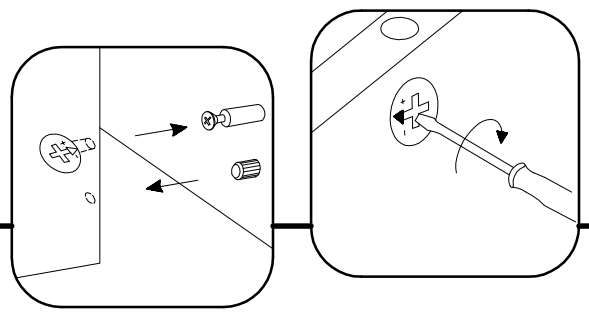
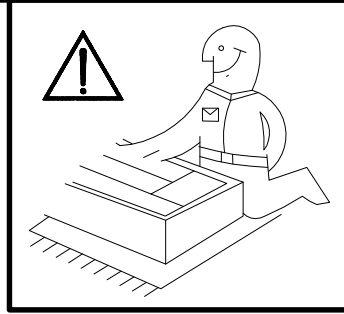
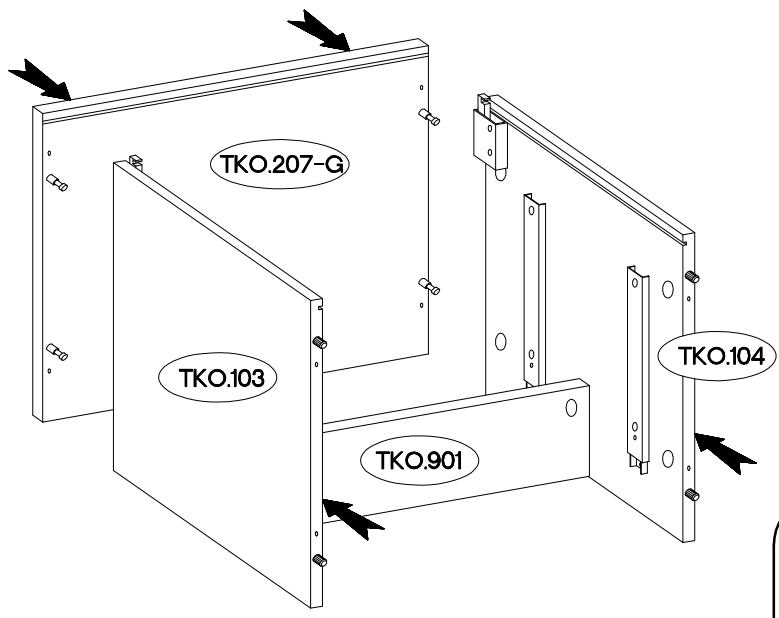
L=20mm  
  
 D2  
 4



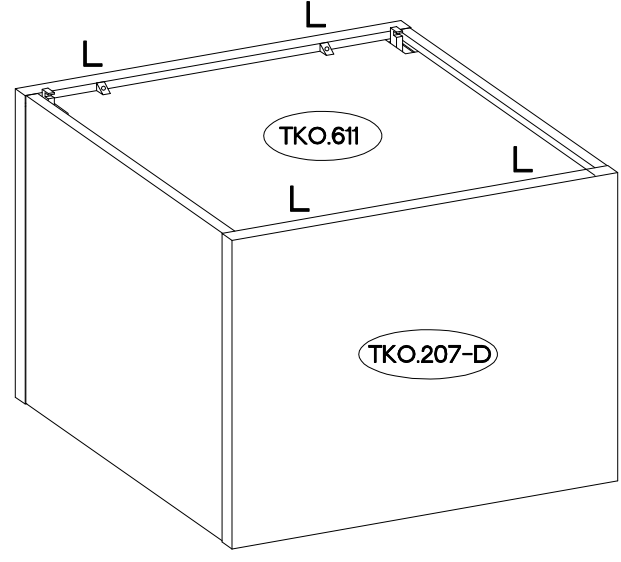
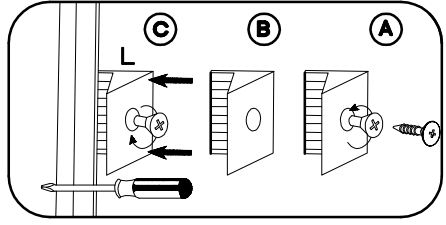
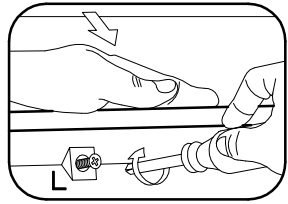
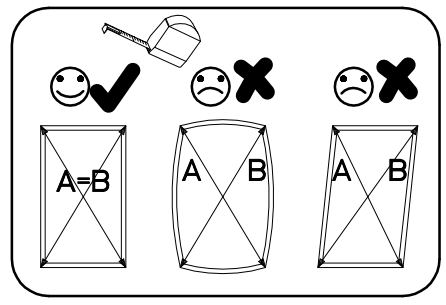
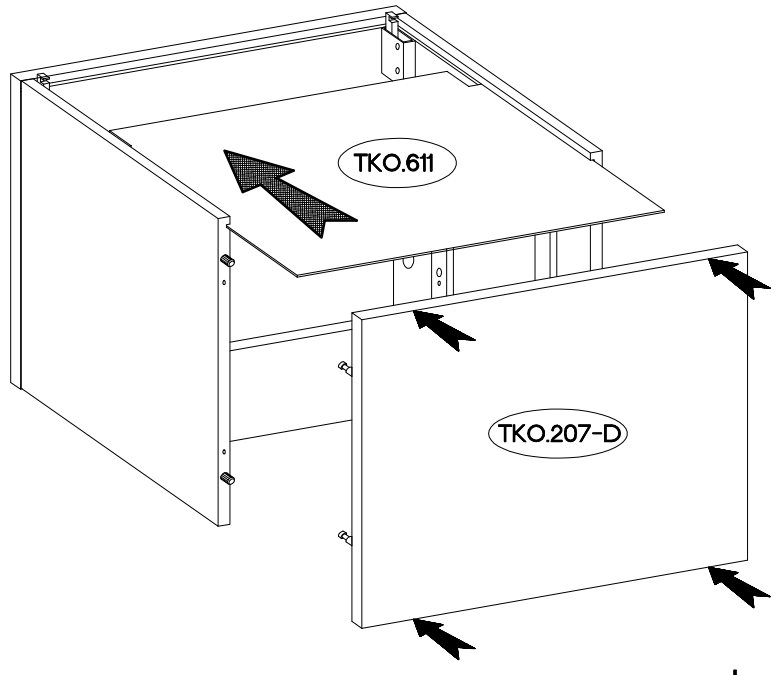
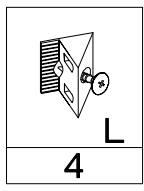
9



10

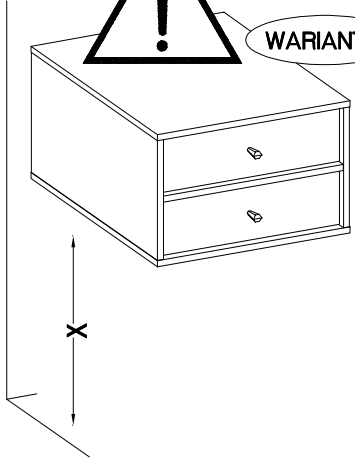


11

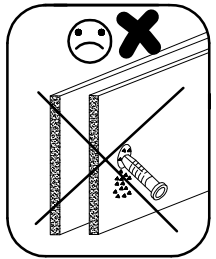
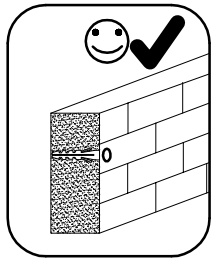
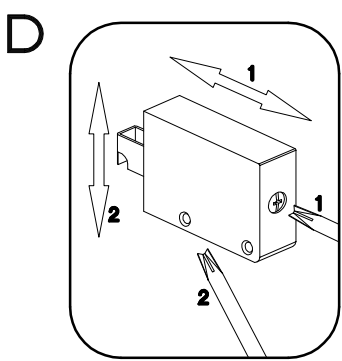
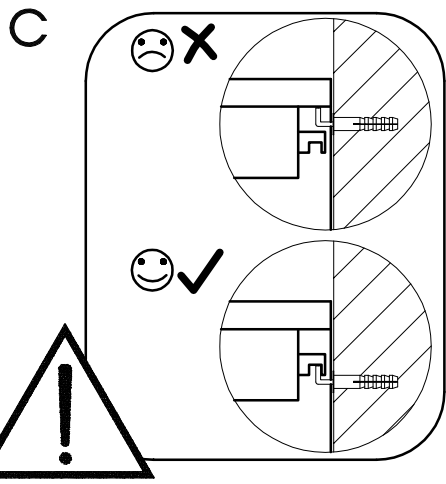
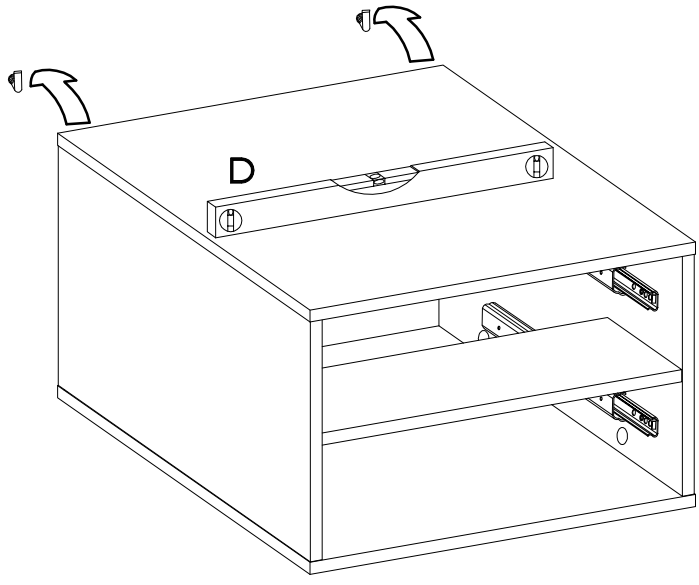
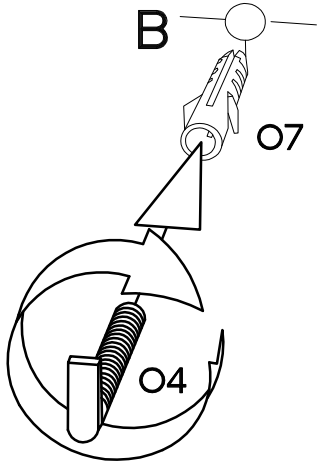
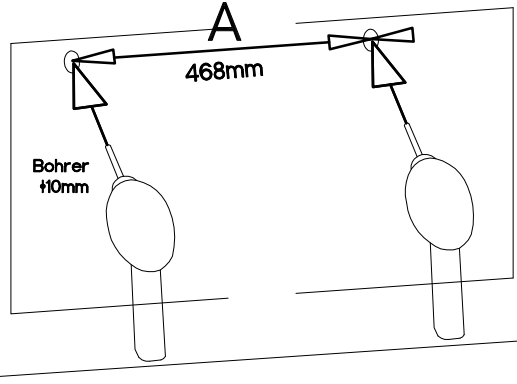




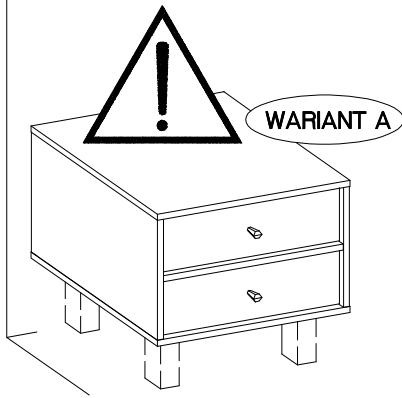
WARIANT A



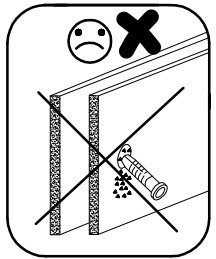
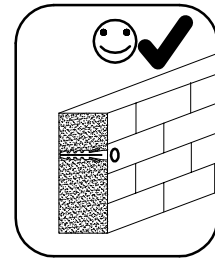
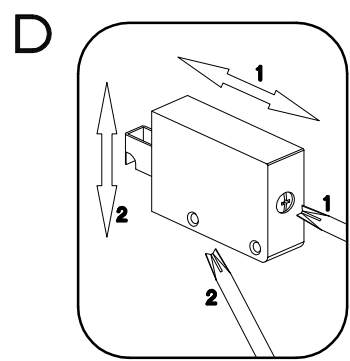
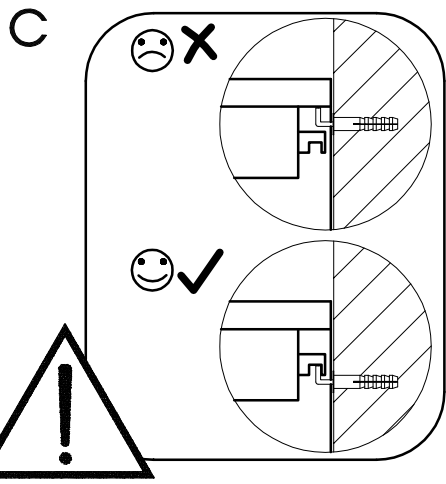
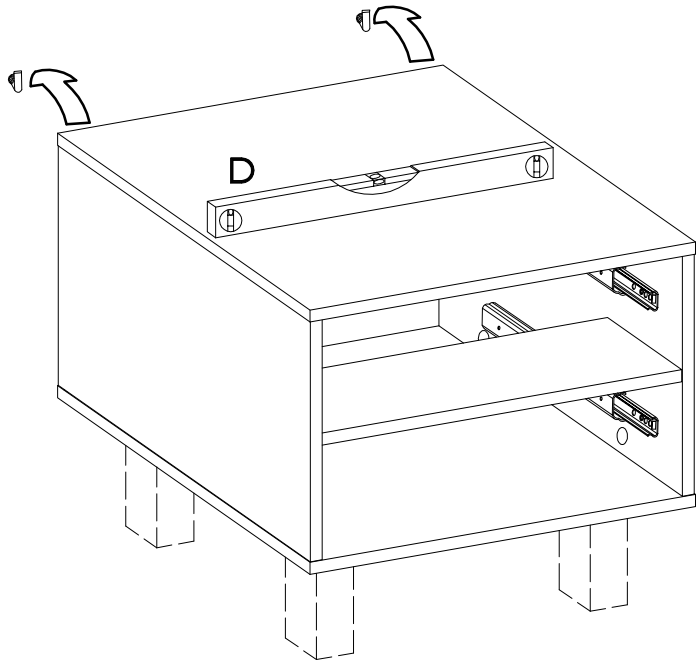
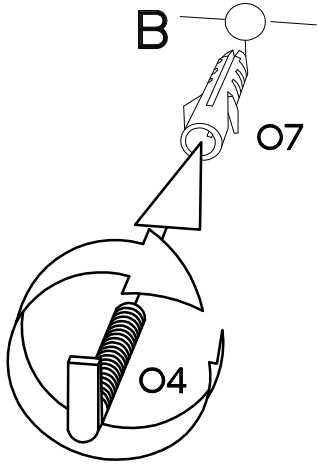
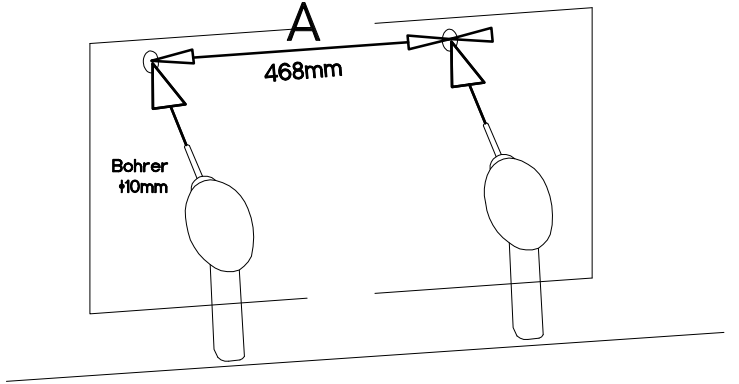
 $\text{10x50mm}$	 $6,5/68\text{mm}$
O7	O4
2	2

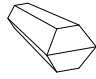








 #10x50mm O7 2	 6,5/68mm O4 2
-------------------------	-------------------------



 S	M4x22mm  U	M4x9mm  U1
2	2	4

