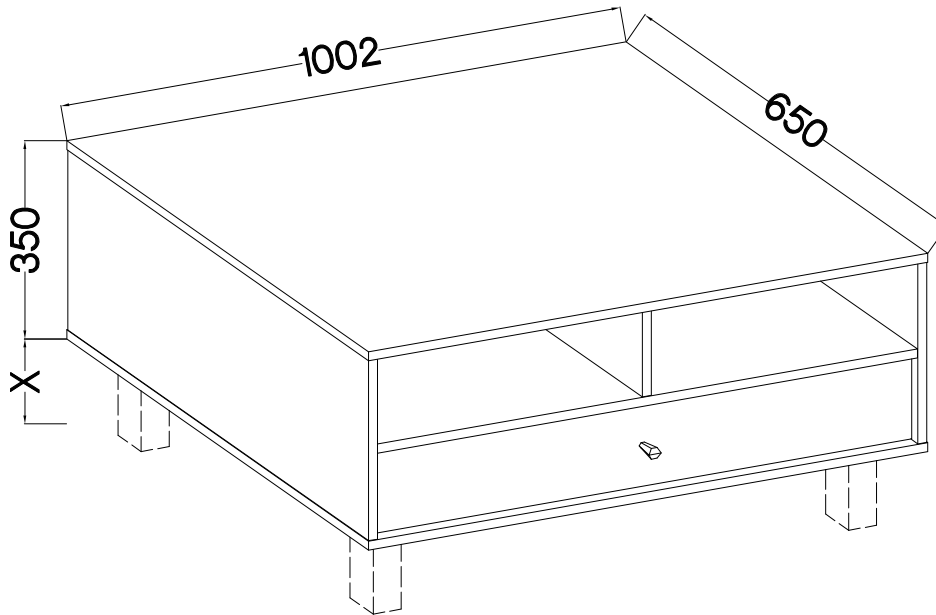
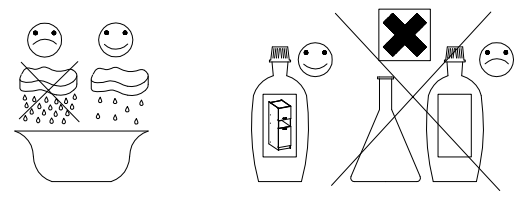


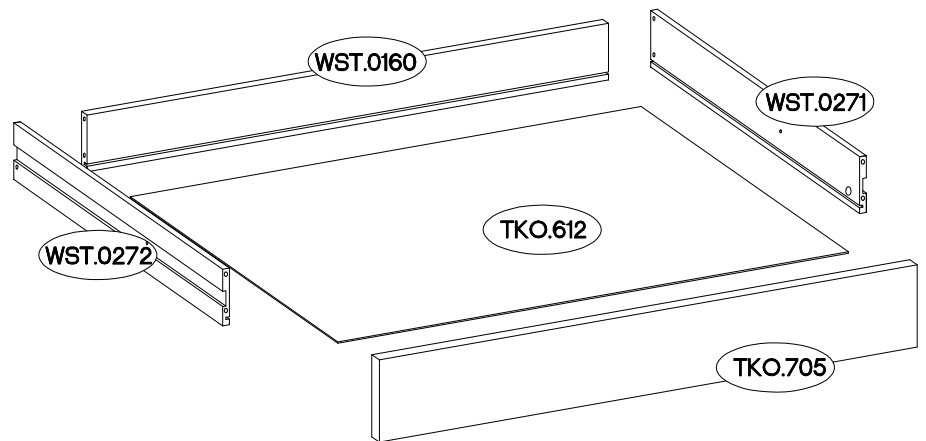
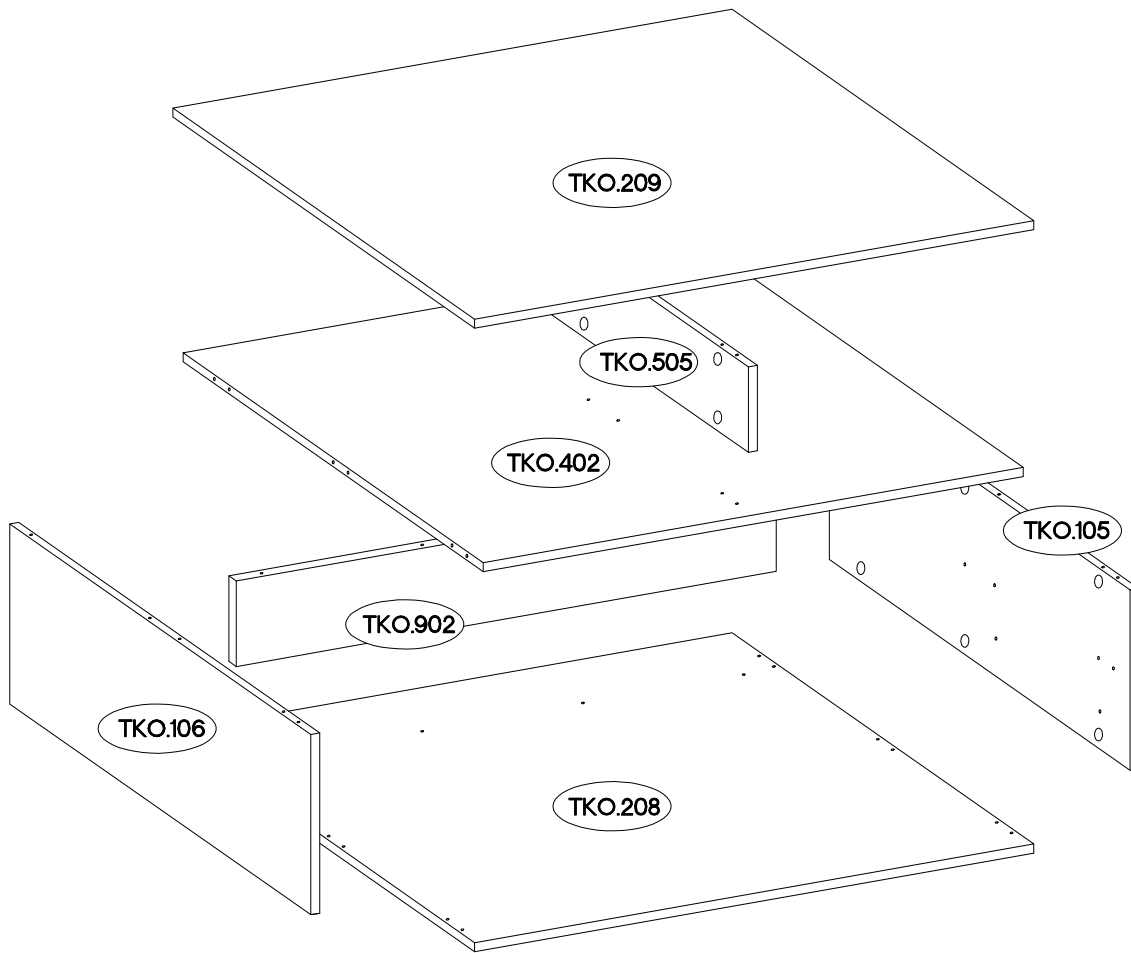
TYP 201

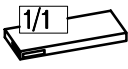


<b>+8x30mm</b>  A 36	<b>+6x42mm</b>  B2 2	<b>+15/12mm</b>  C 24	<b>+12/10mm</b>  C5 2
-------------------------------	-------------------------------	--------------------------------	--------------------------------

<b>L=20mm</b>  D2 26	<b>+20</b>  E11 16	<b>27/310mm</b>  I4 1	<b>L=450 mm</b>  K34 2	 L 6	<b>+6,3x13mm</b>  M2 4	<b>+3.5x13mm</b>  P5 4	 S 1	<b>M4x22mm</b>  U 1	<b>M4x9mm</b>  U1 2
-------------------------------	-----------------------------	--------------------------------	---------------------------------	------------	---------------------------------	---------------------------------	------------	------------------------------	------------------------------

ISM-TKO-005



	Ersatzteil Nummer	Dimension
	TKO.105	318x648x16
	TKO.106	318x648x16
	TKO.505	151x644x16
	TKO.208	1002x650x16
	TKO.209	1002x650x16
	TKO.402	968x646x16
	TKO.902	151x968x16
	TKO.612	945x447x2,5
	WST.0271	450x100x12
	WST.0272	450x100x12
	WST.0160	934x100x12
	TKO.705	964x145x16



TKO.209


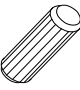


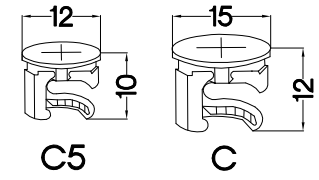
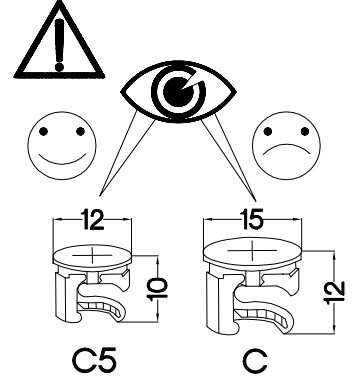
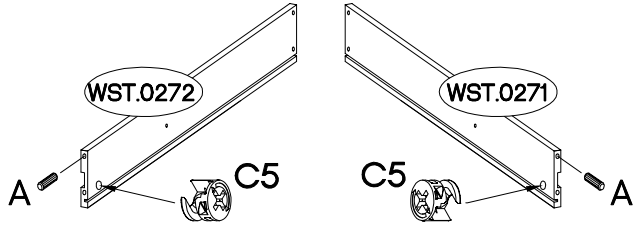
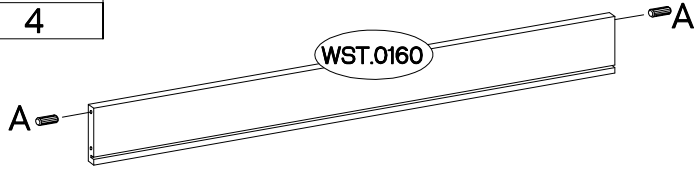
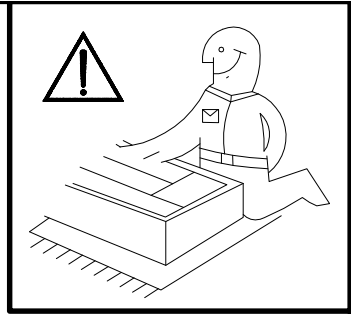
TKO.402



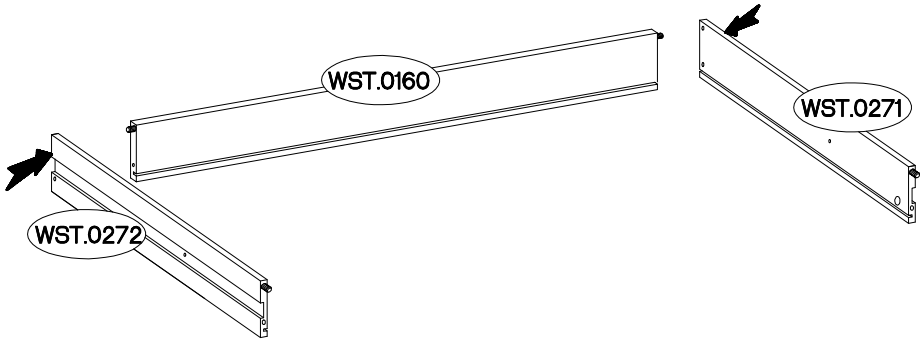
TKO.612


1

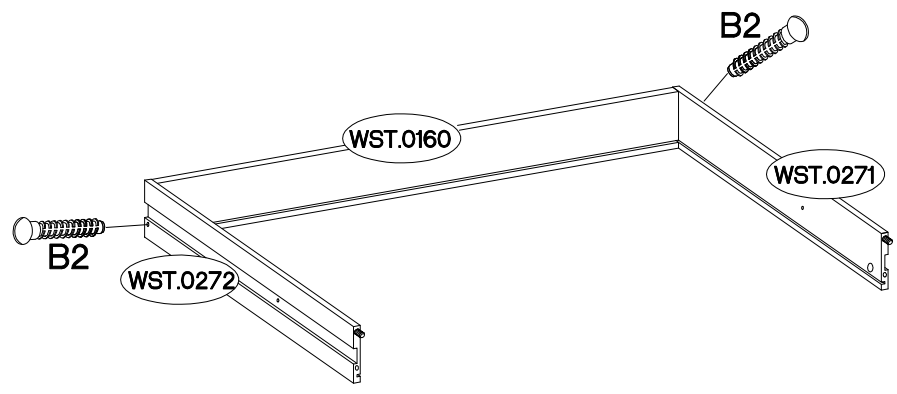
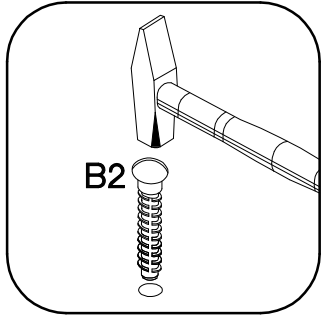
$\pm 12/10\text{mm}$  <b>C5</b> 2	$\pm 8 \times 30\text{mm}$  <b>A</b> 4
--	---




2

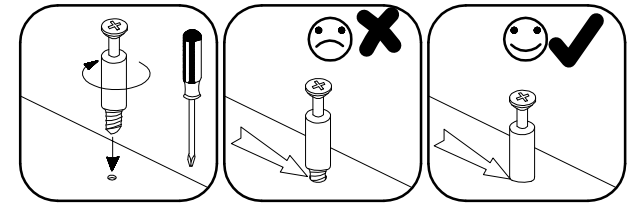
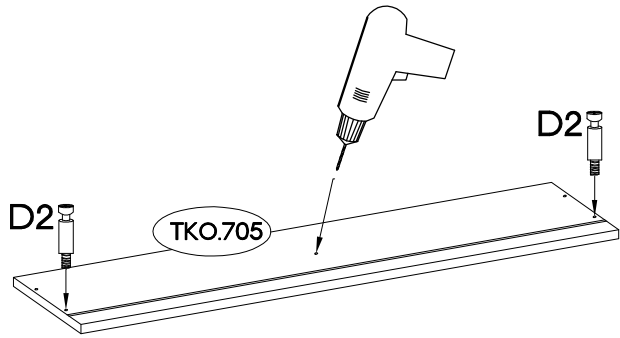
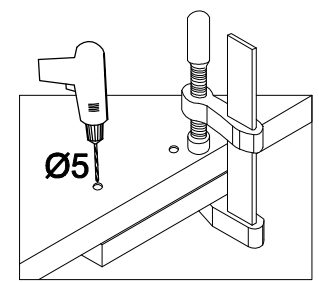
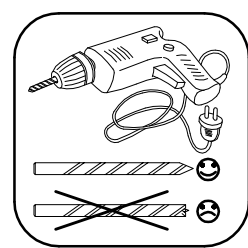


$\pm 6 \times 42\text{mm}$  <b>B2</b> 2
---

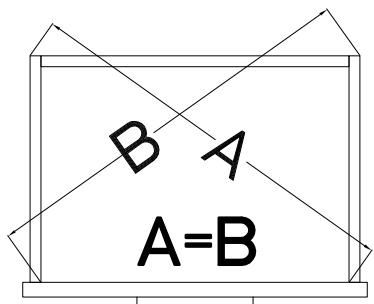
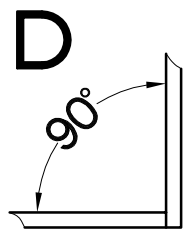
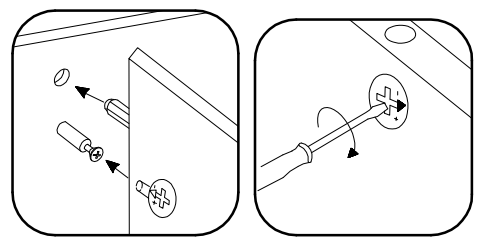
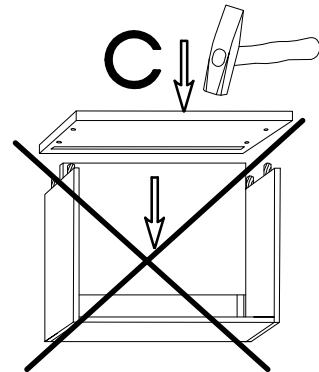
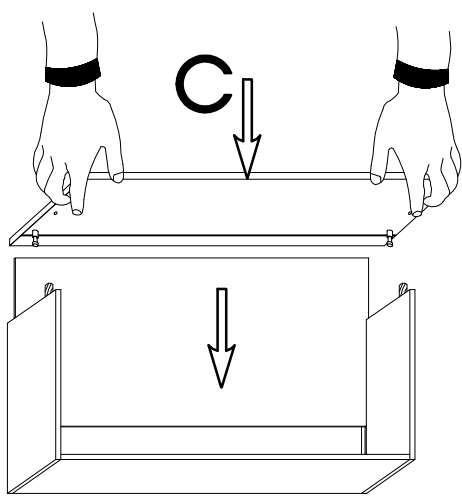
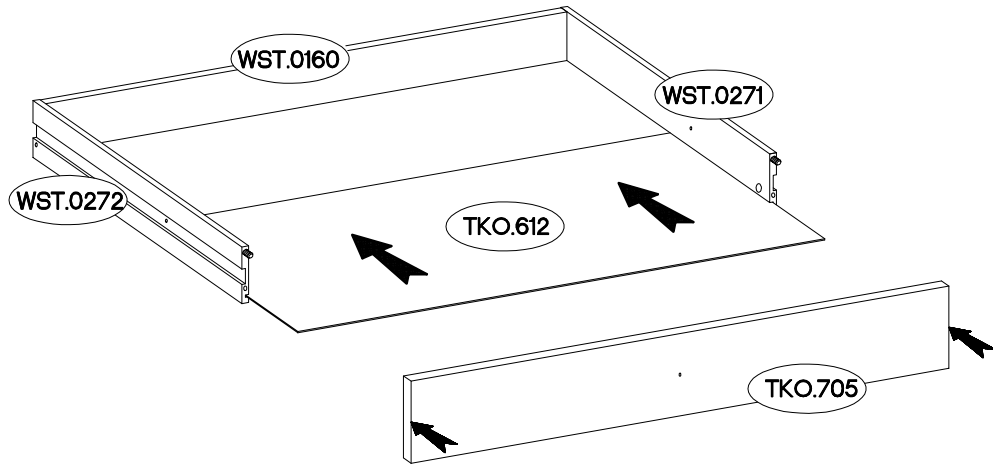
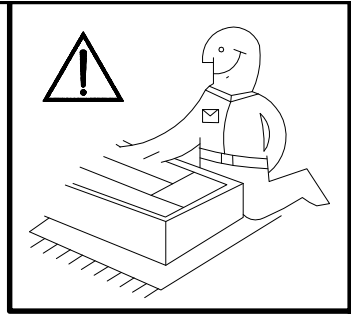


3

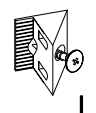


$L=20\text{mm}$  <b>D2</b> 2
--

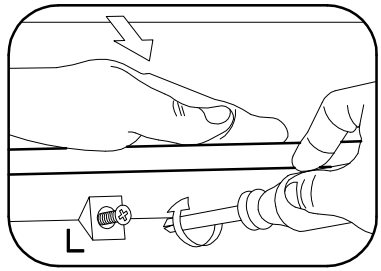
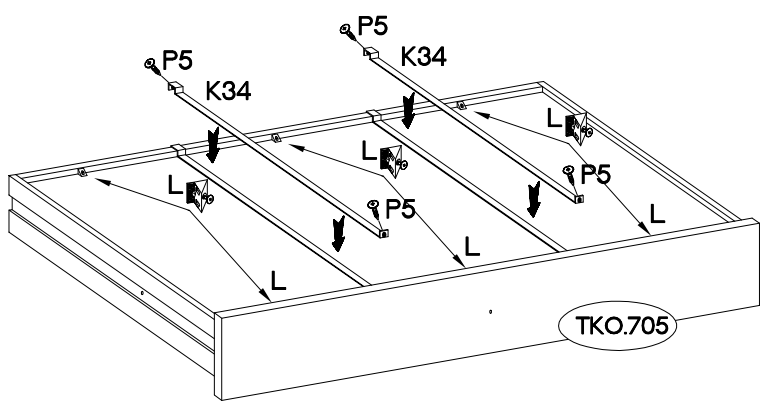
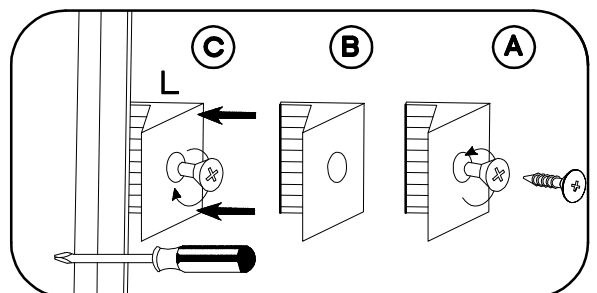


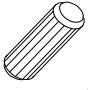


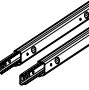

4

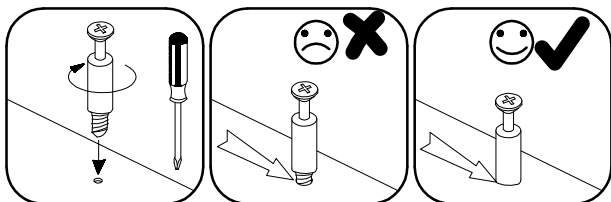
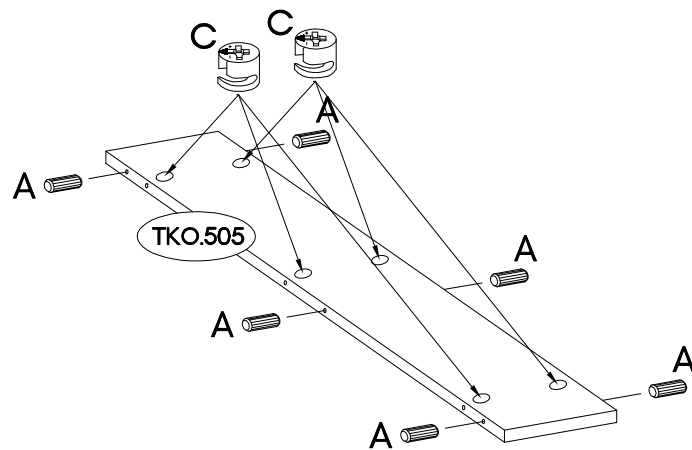
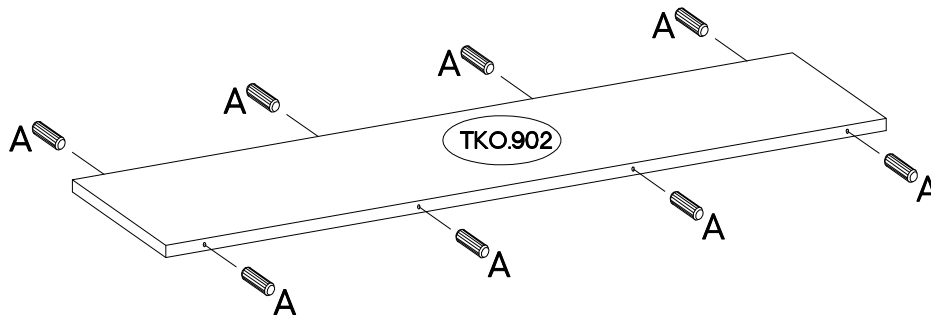
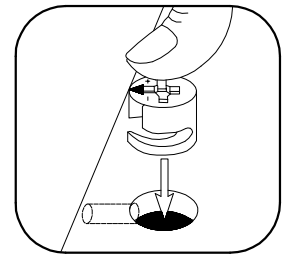
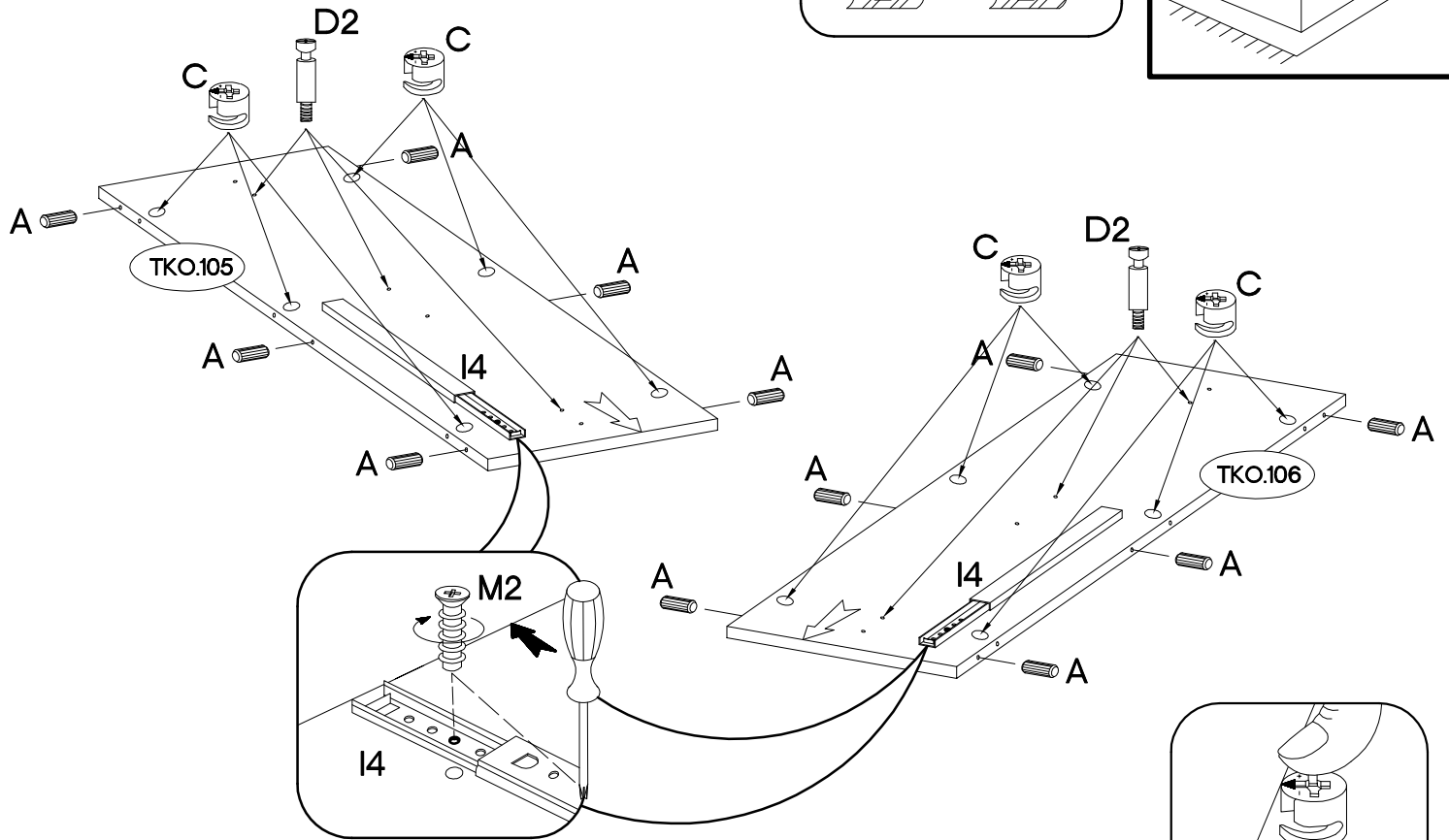
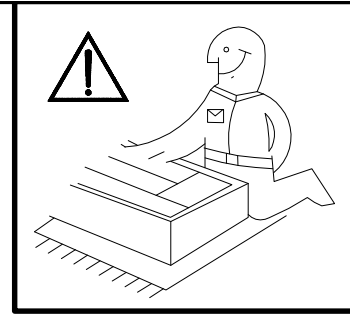
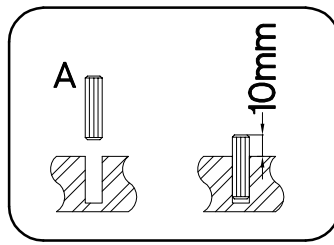


5

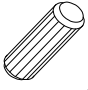

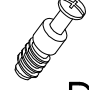
	L=450 mm		
L		K34	P5
6		2	4

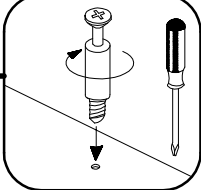
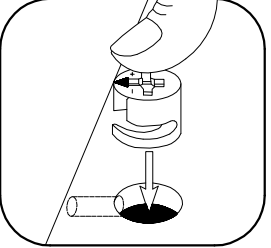
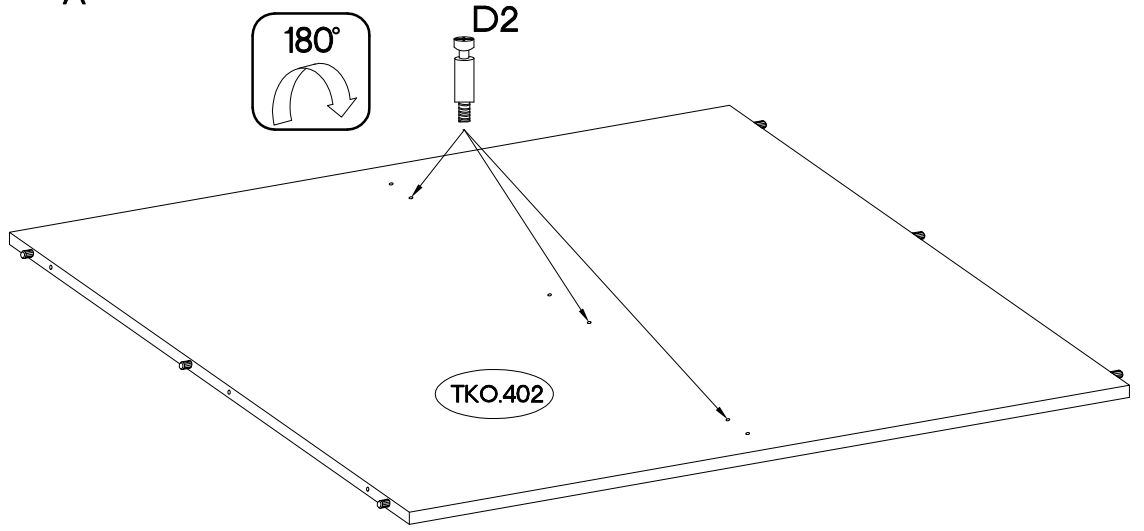
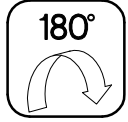
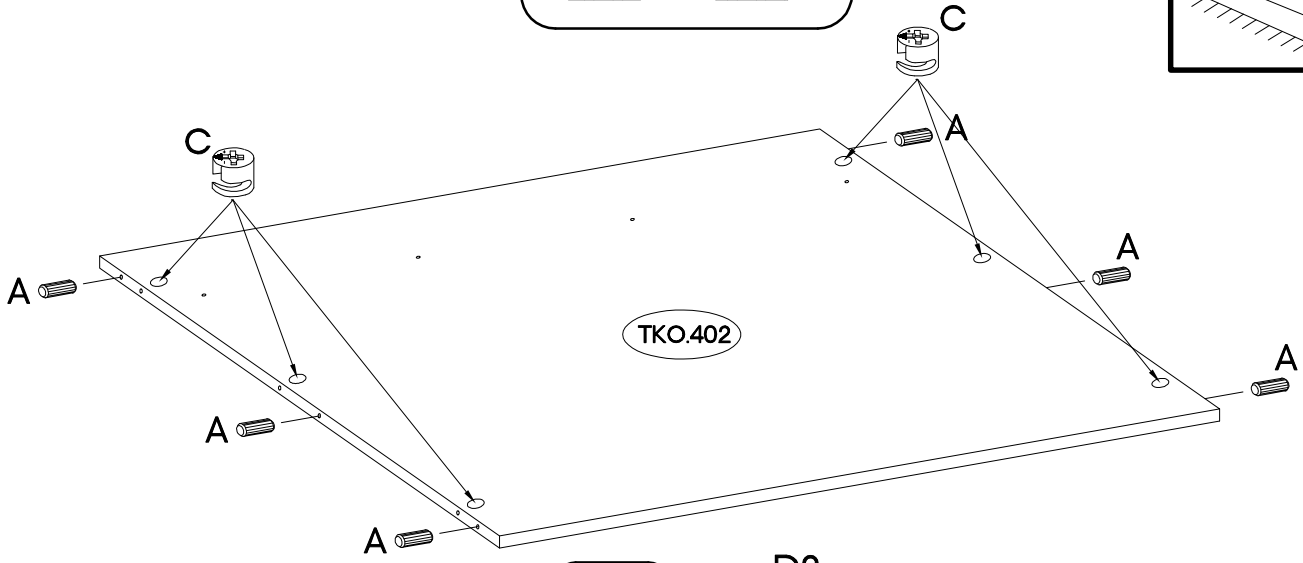
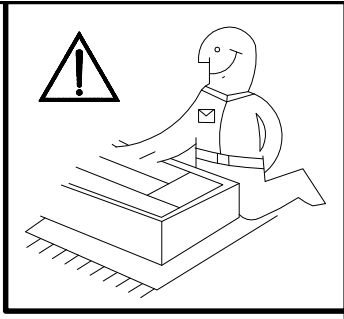
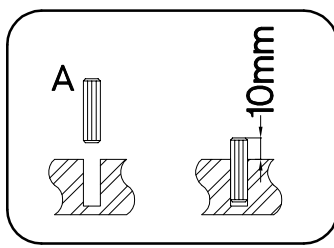


$\pm 8 \times 30 \text{mm}$  A 26	$\pm 15 / 12 \text{mm}$  C 18	L=20mm  D2 6	27/310mm  I4 1	$\pm 6,3 \times 13 \text{mm}$  M2 4
--	--	---	---	--

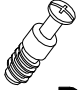


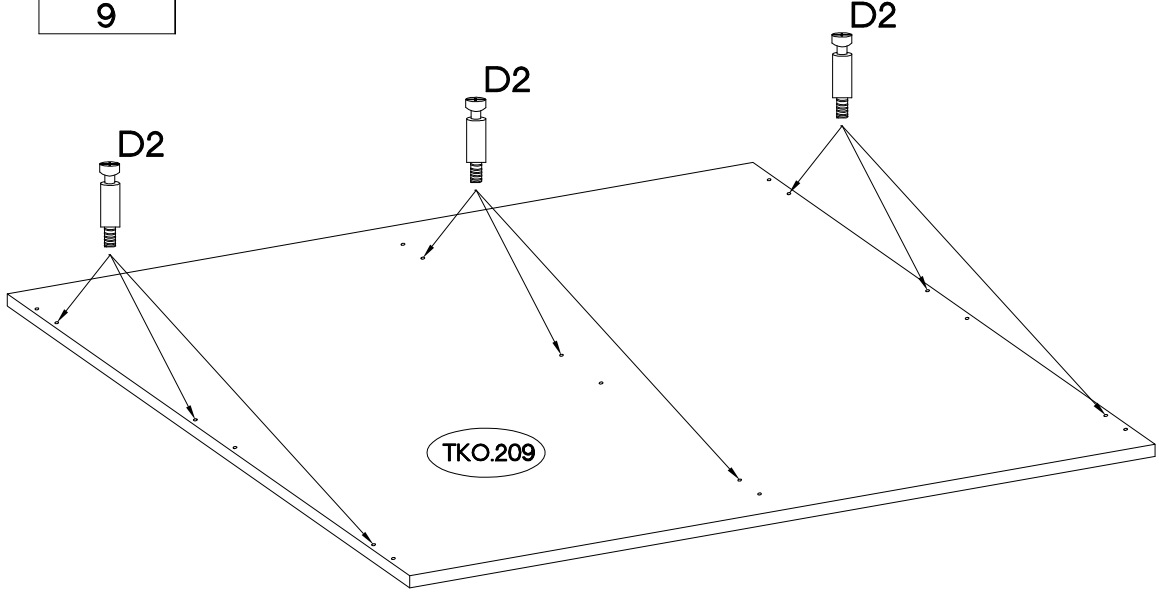
7

$\pm 8 \times 30 \text{mm}$  A 6	$\pm 15 / 12 \text{mm}$  C 6	$L = 20 \text{mm}$  D2 3
---	---	---



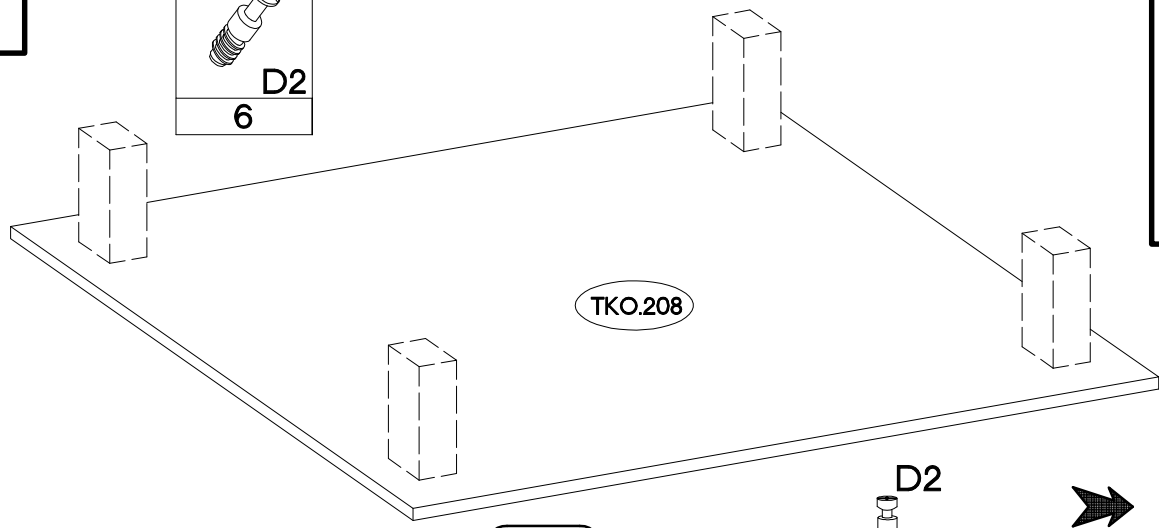
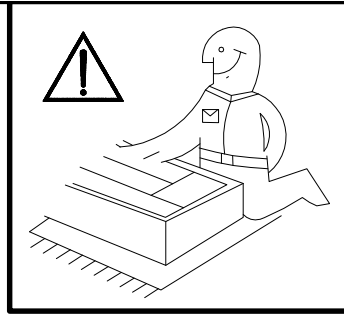
8

$L = 20 \text{mm}$  D2 9
--

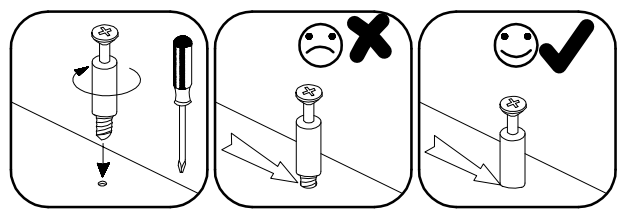
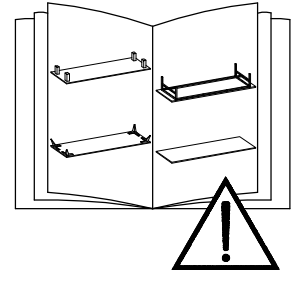
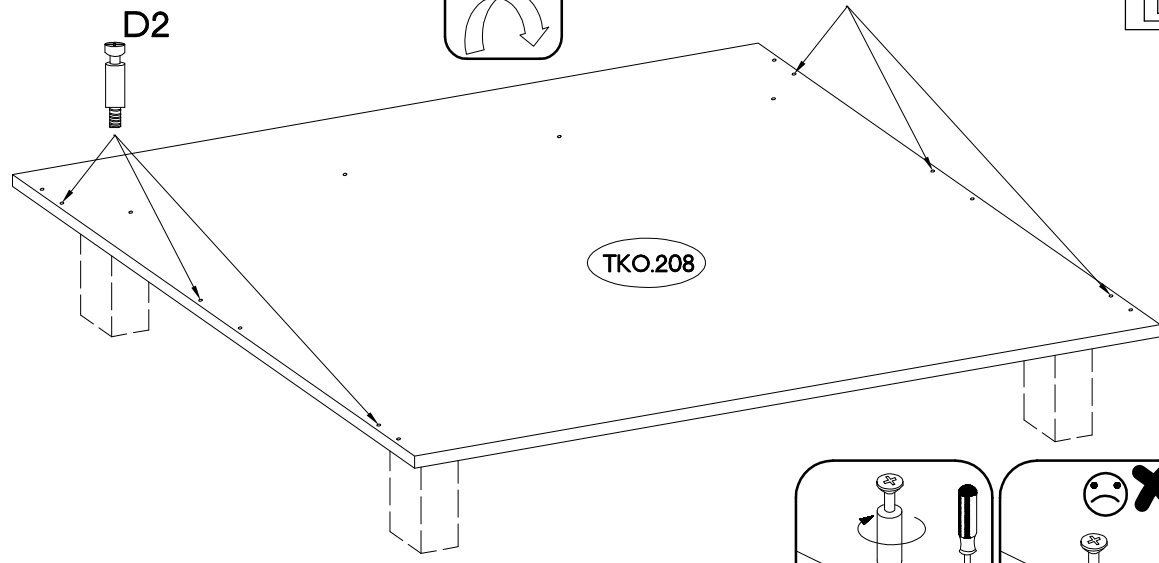


9

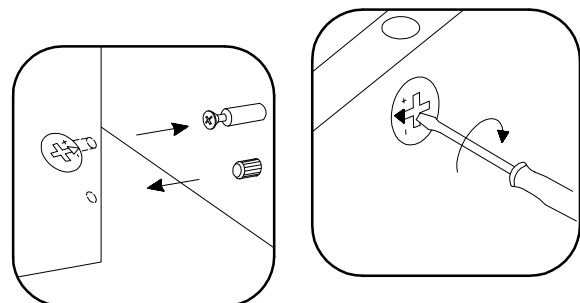
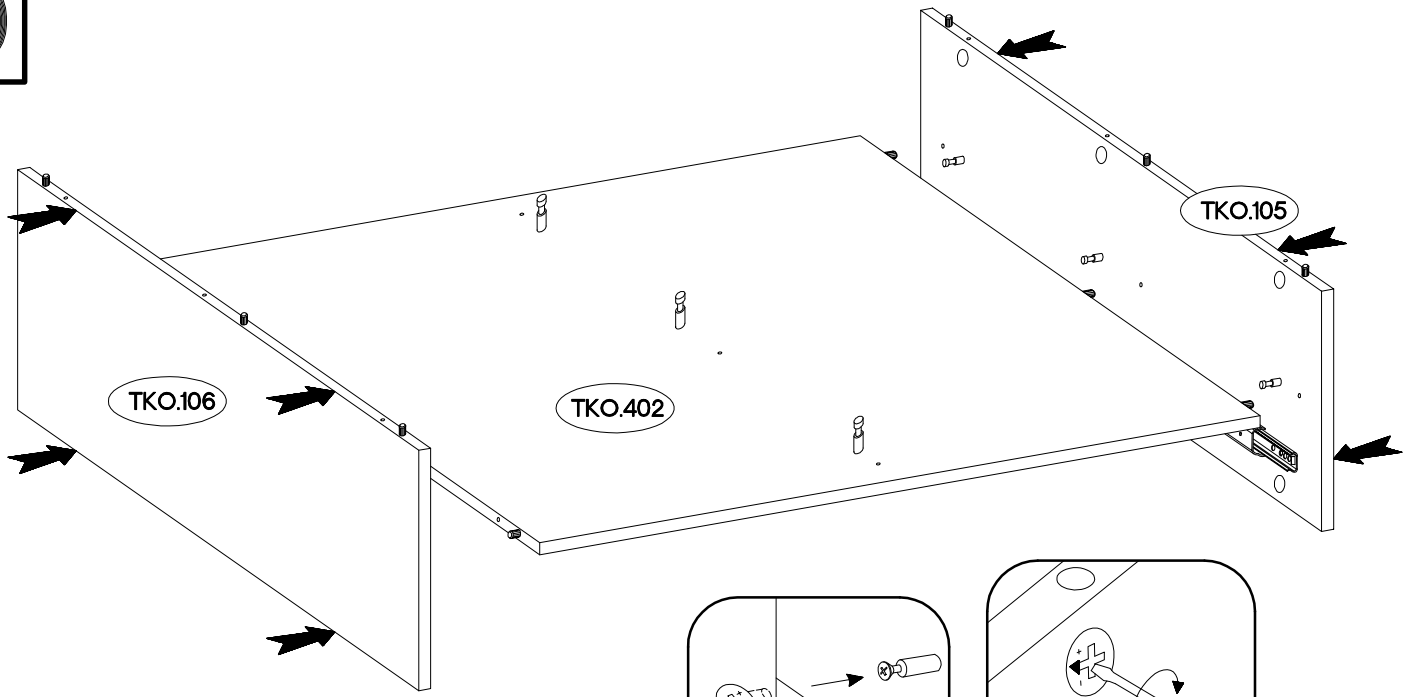
L=20mm  
D2  
6



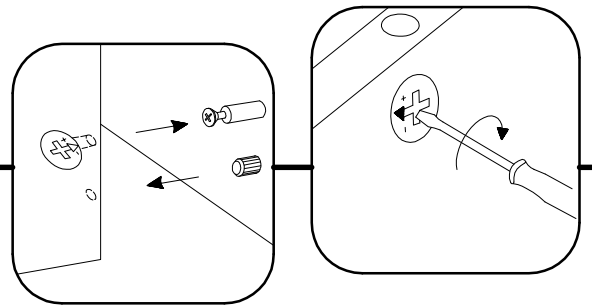
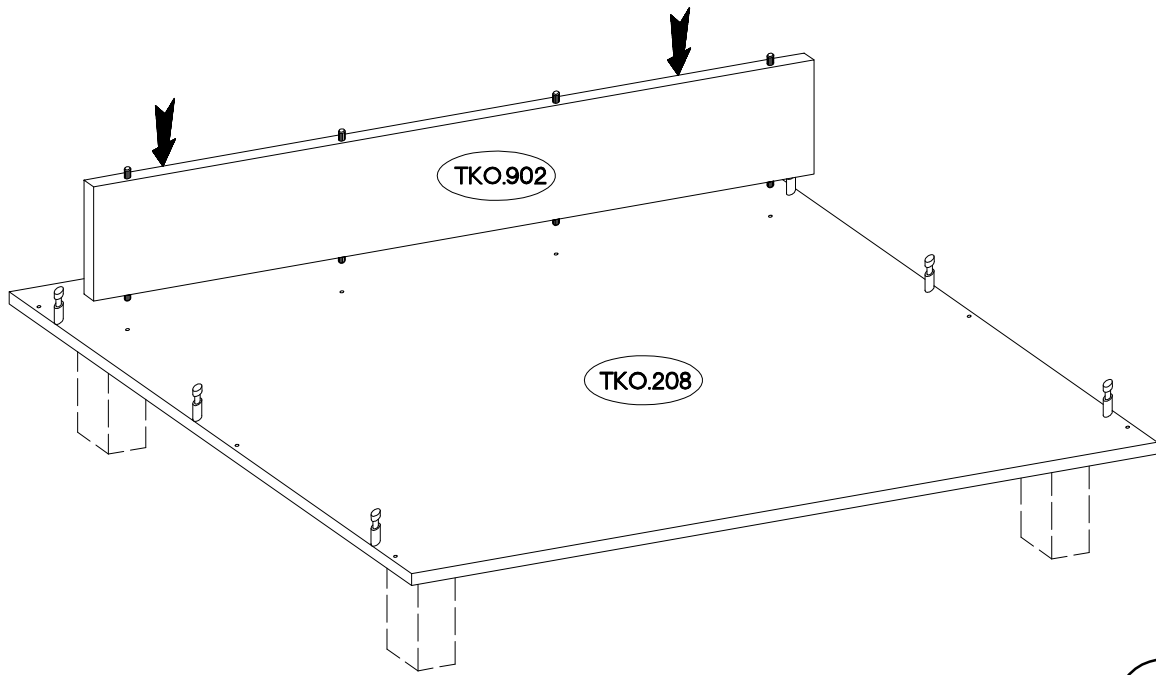
180°



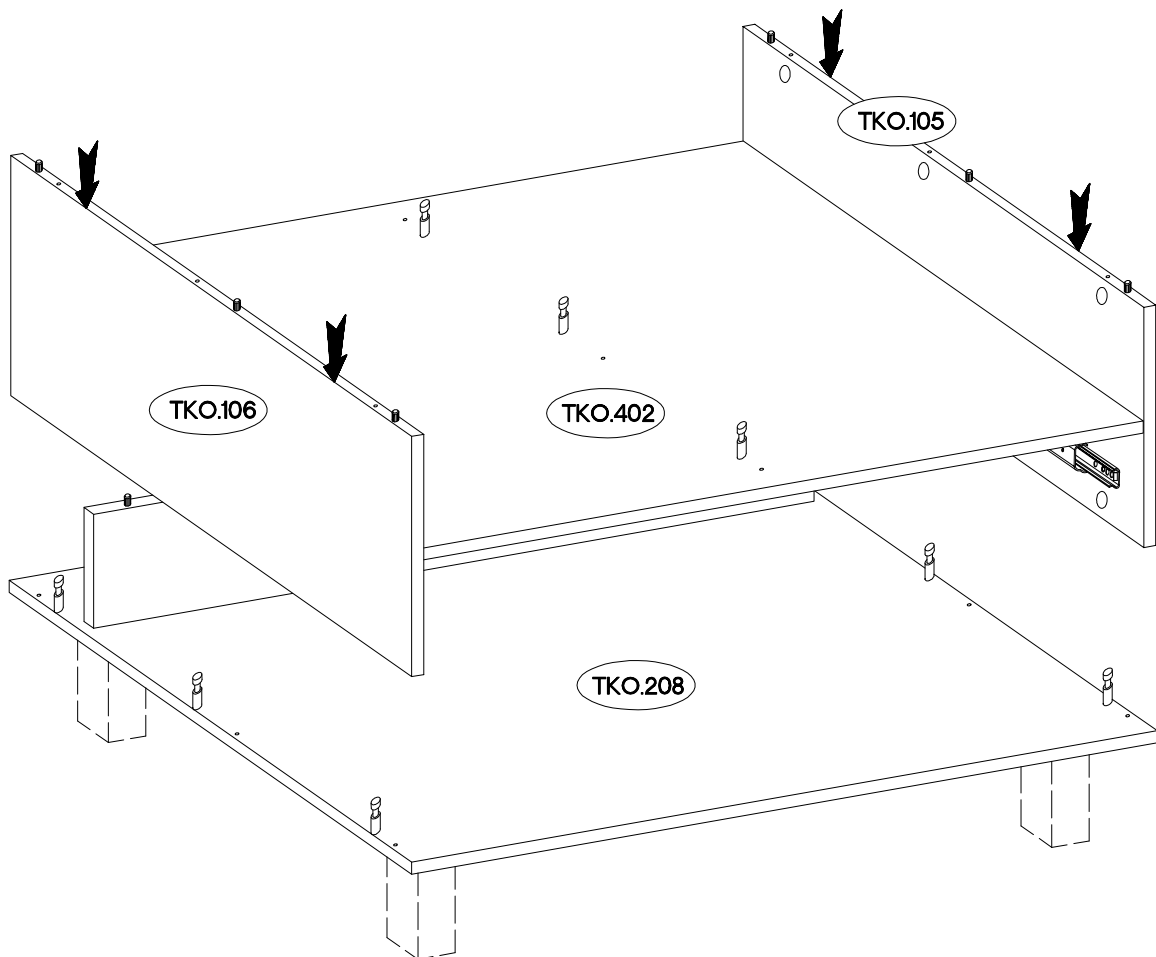
10



11

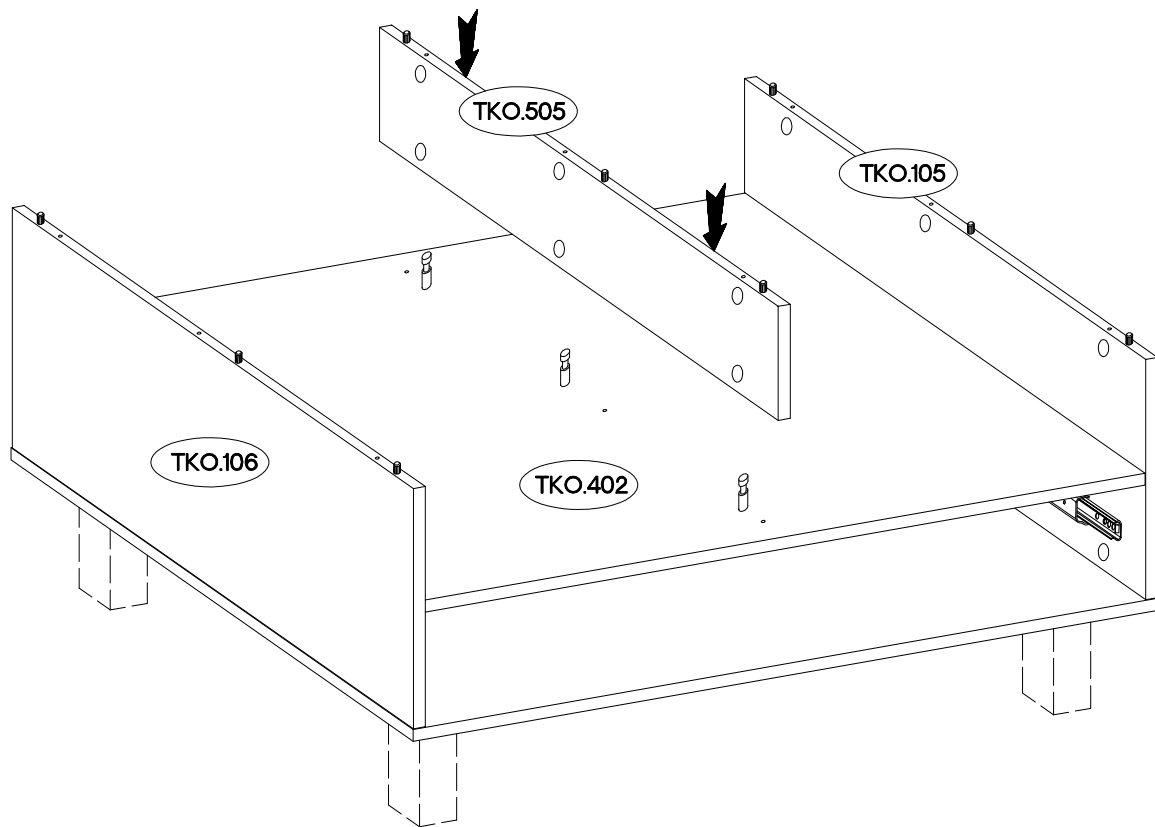


12

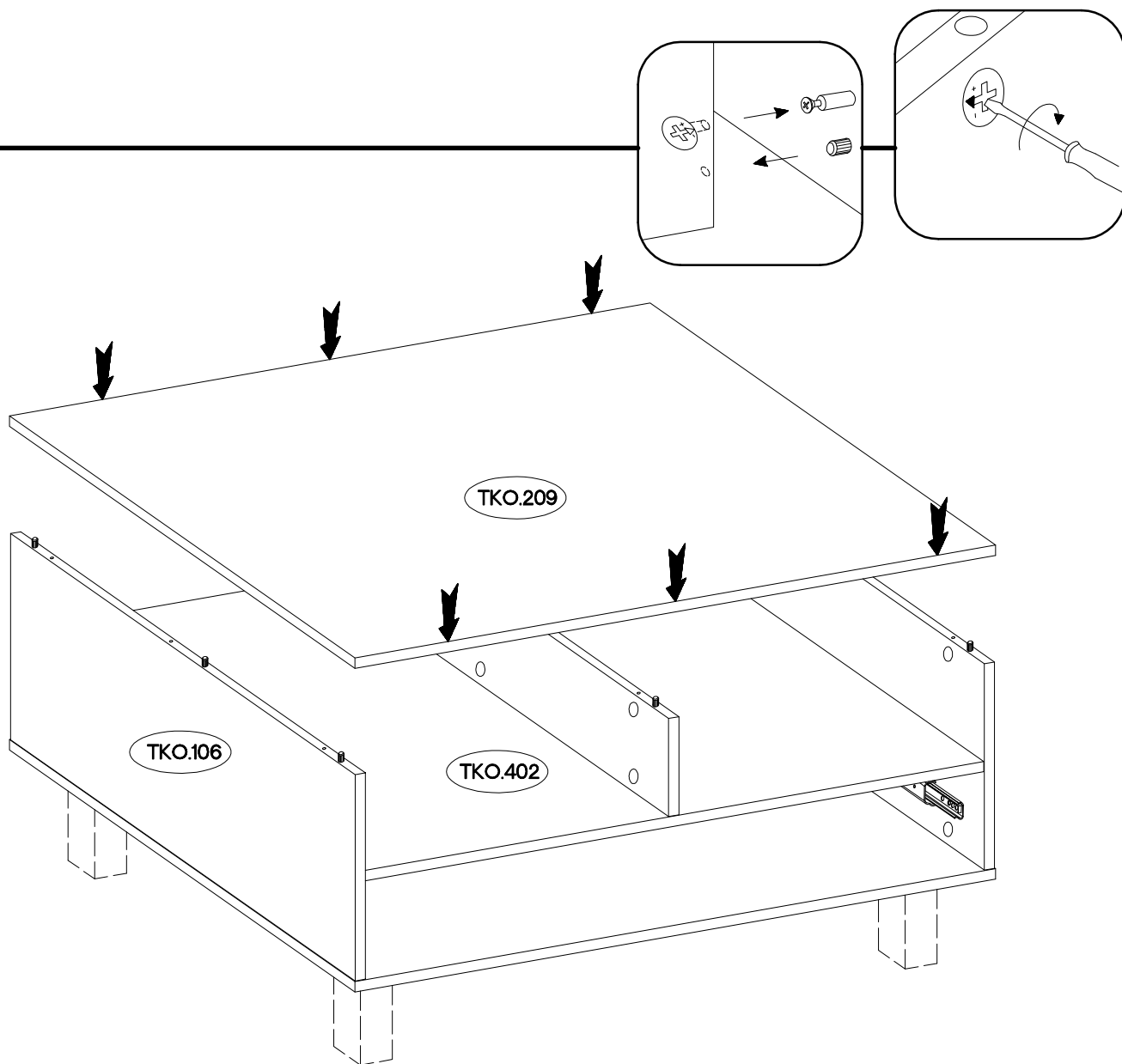


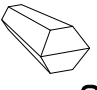





13



14



 S	 M4x22mm U	 +20 E11	 M4x9mm U1
1	1	16	2

