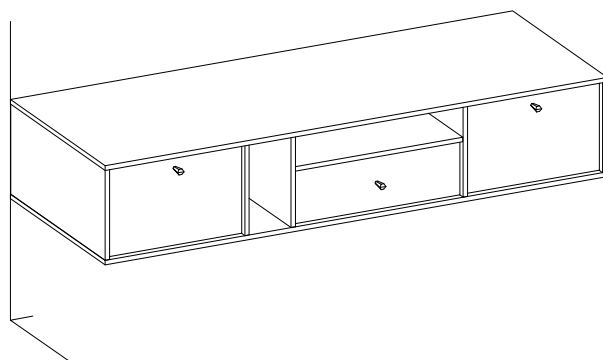
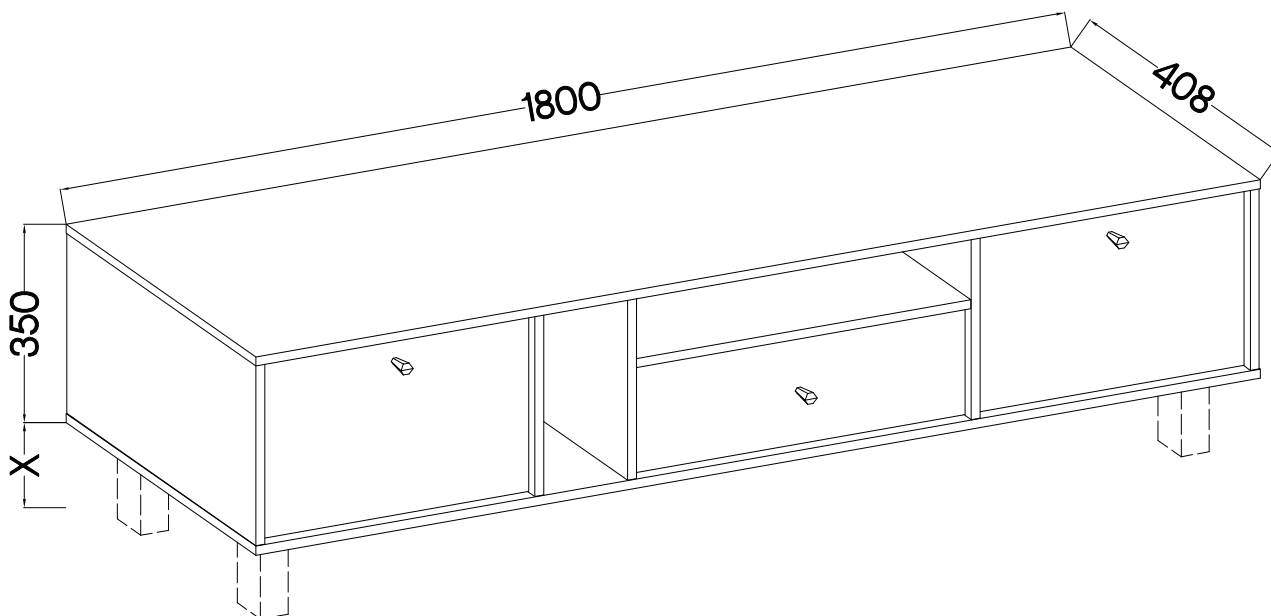
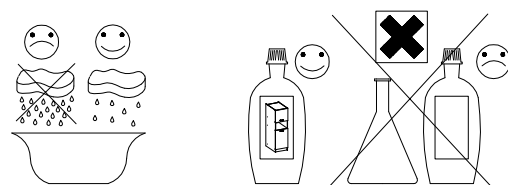


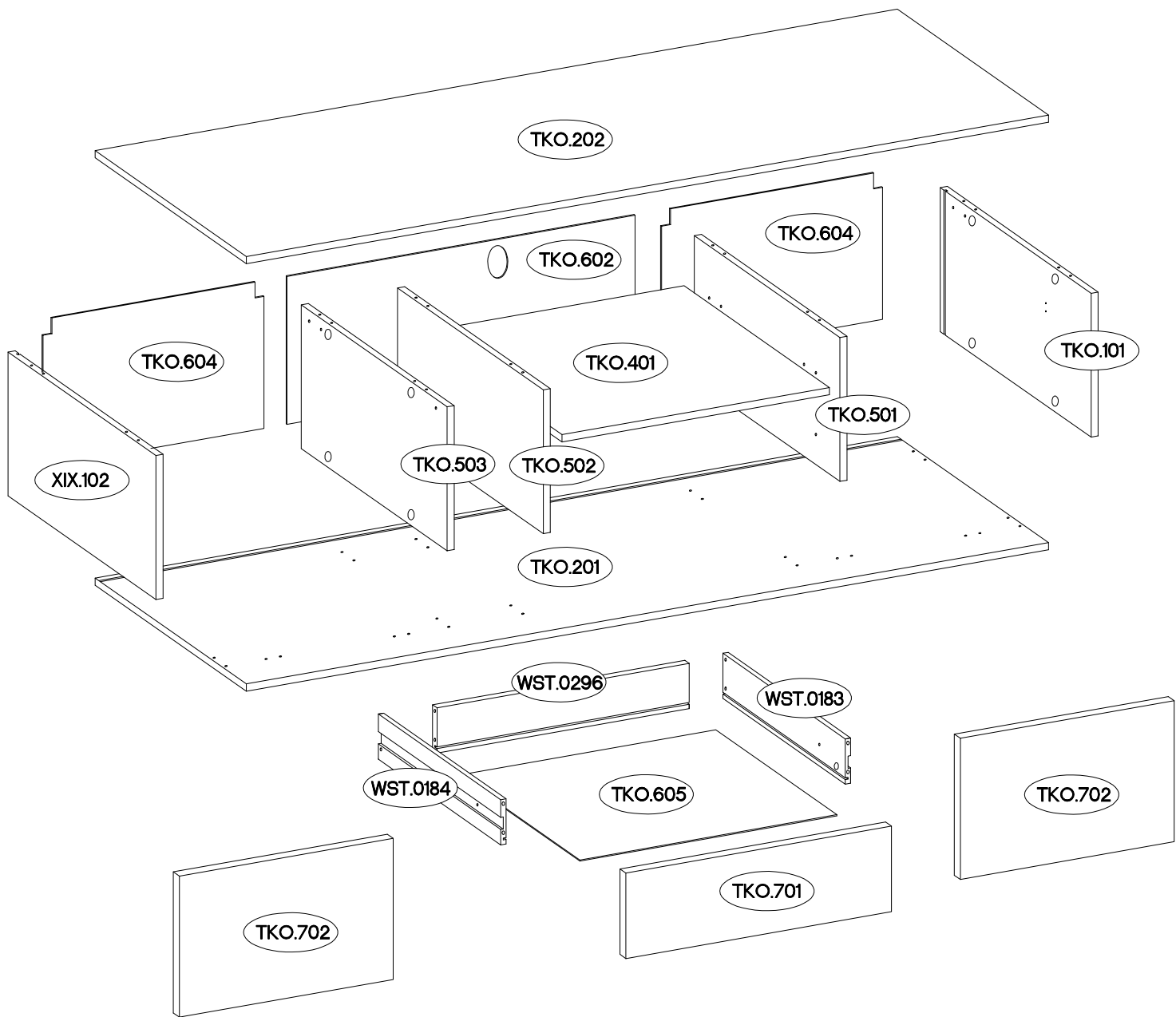
90 min

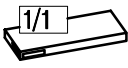
TYP 313

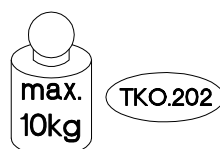


<p>†8x30mm</p> <p>A</p> <p>28</p>		<p>†6x42mm</p> <p>B2</p> <p>2</p>		<p>†15/12mm</p> <p>C</p> <p>24</p>		<p>†12/10mm</p> <p>C5</p> <p>2</p>		<p>L=20mm</p> <p>D2</p> <p>26</p>		<p>†20</p> <p>E11</p> <p>18</p>		<p>†35/16mm</p> <p>HG2</p> <p>4</p>		<p>27/310mm</p> <p>I4</p> <p>1</p>		<p>†12</p> <p>J12</p> <p>2</p>		<p>L</p> <p>K25</p> <p>2</p>		<p>R</p> <p>K26</p> <p>2</p>		<p>L=270mm 80 N</p> <p>BARKOWY</p> <p>K33</p> <p>2</p>	
<p>L</p> <p>16</p>		<p>L2</p> <p>6</p>		<p>†6,3x13mm</p> <p>M2</p> <p>4</p>		<p>6,5/68mm</p> <p>O4</p> <p>4</p>		<p>†10x50mm</p> <p>O7</p> <p>4</p>		<p>†3.5x13mm</p> <p>P5</p> <p>8</p>		<p>†3.0x20mm</p> <p>P7</p> <p>9</p>		<p>†4.0x30mm</p> <p>P8</p> <p>8</p>		<p>S</p> <p>3</p>		<p>M4x22mm</p> <p>U</p> <p>3</p>		<p>M4x9mm</p> <p>U1</p> <p>2</p>			


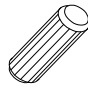
ISM-TKO-001

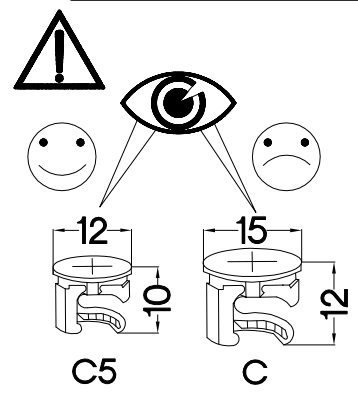
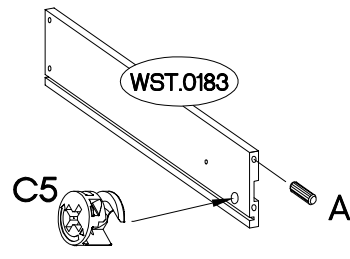
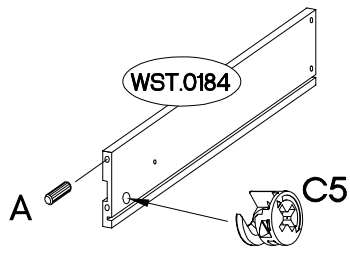
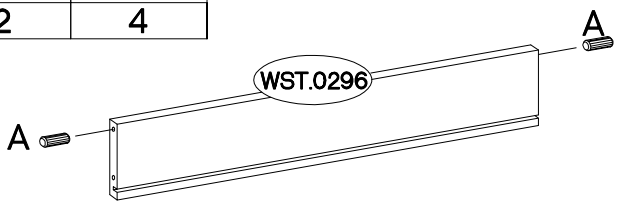
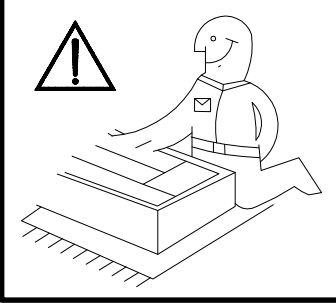


	Ersatzteil Nummer	Dimension
	TKO.101	318x407x16
	TKO.102	318x407x16
	TKO.501	318x393x16
	TKO.502	318x393x16
	TKO.503	318x393x16
	TKO.201	1800x408x16
	TKO.202	1800x408x16
	TKO.401	600x392x16
	TKO.602	781x327x2,5
	TKO.604 x2	496x327x2,5
	TKO.605	577x327x2,5
	WST.0183	330x100x12
	WST.0184	330x100x12
	WST.0296	566x100x12
	TKO.701	596x189x16
	TKO.702 x2	312x480x16

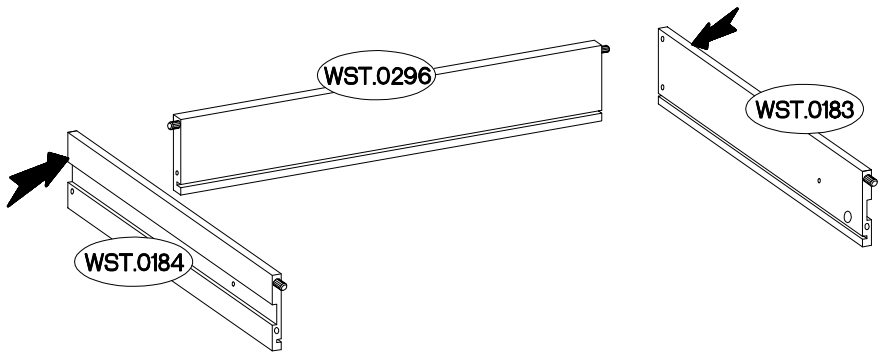



1

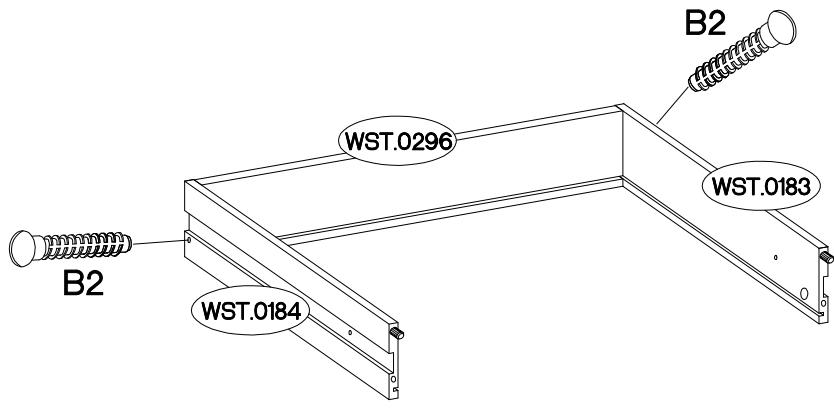
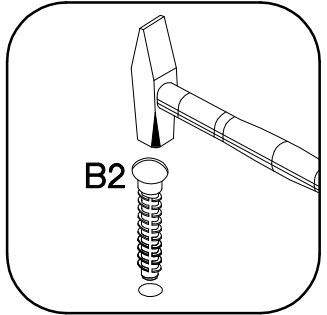
$\pm 12/10\text{mm}$  C5 2	$\pm 8 \times 30\text{mm}$  A 4
---	--



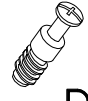
2

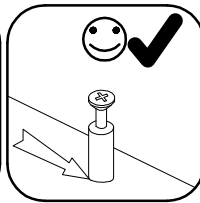
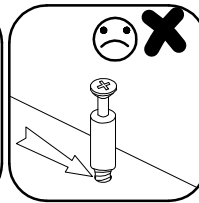
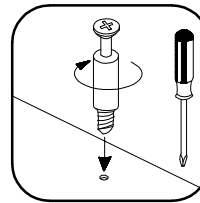
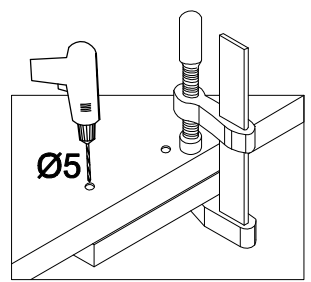
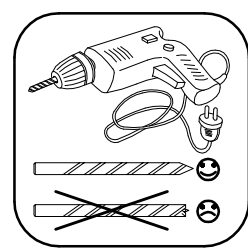
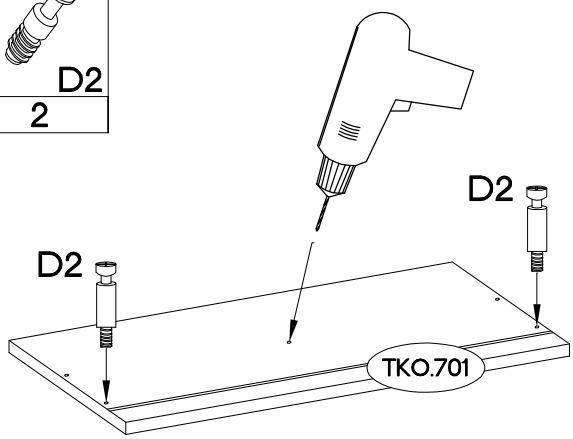


$\pm 6 \times 42\text{mm}$  B2 2
--

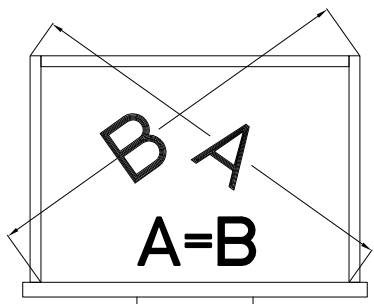
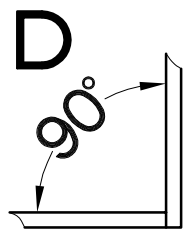
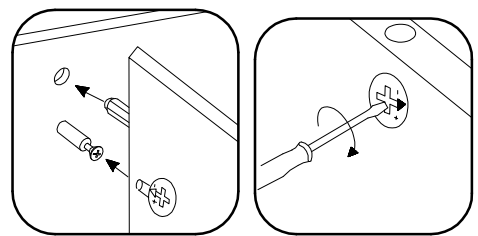
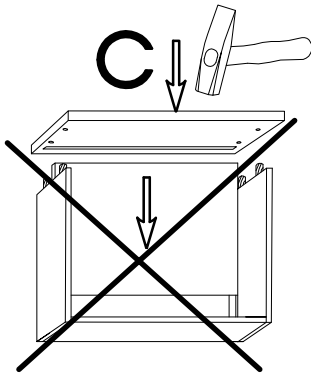
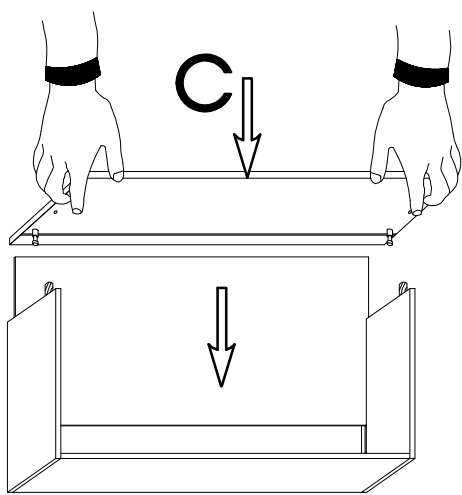
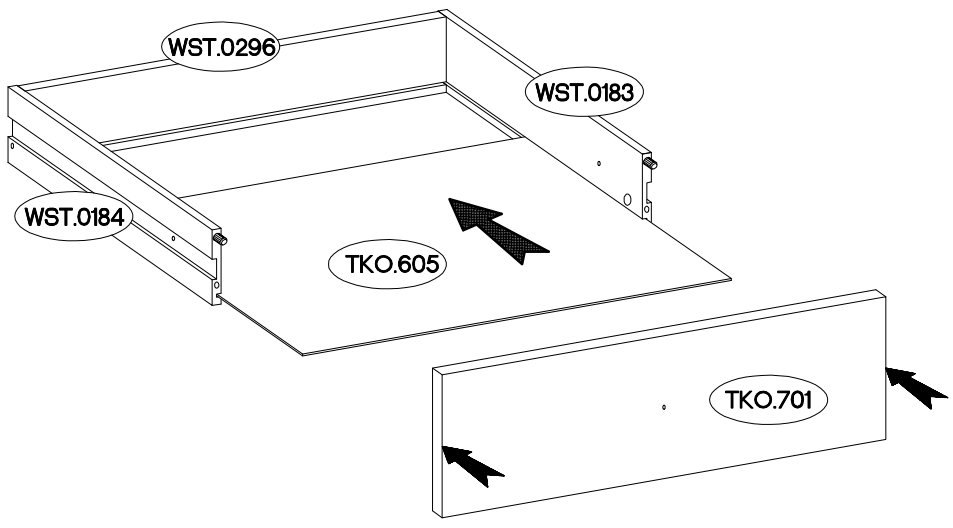
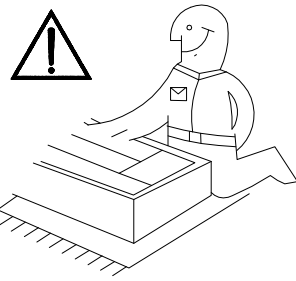


3

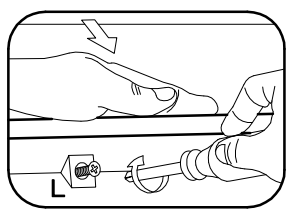
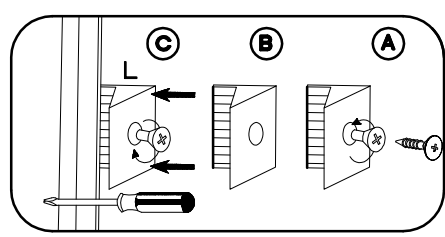
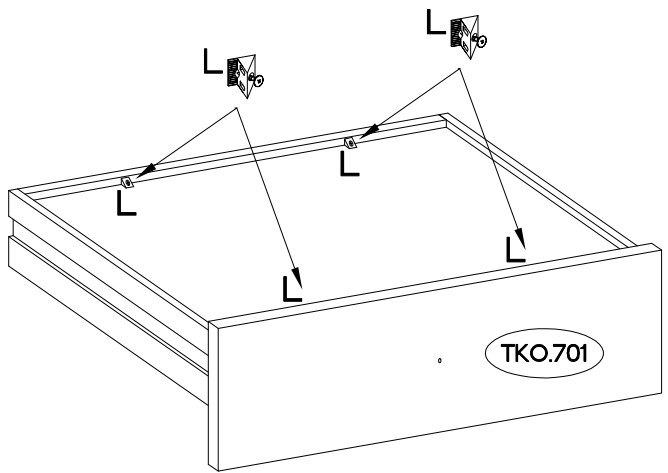
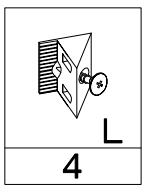
L=20mm  D2 2
--

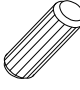


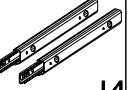


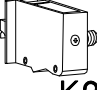



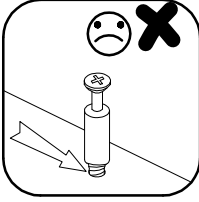
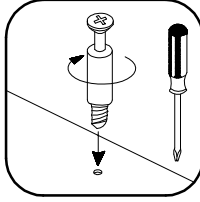
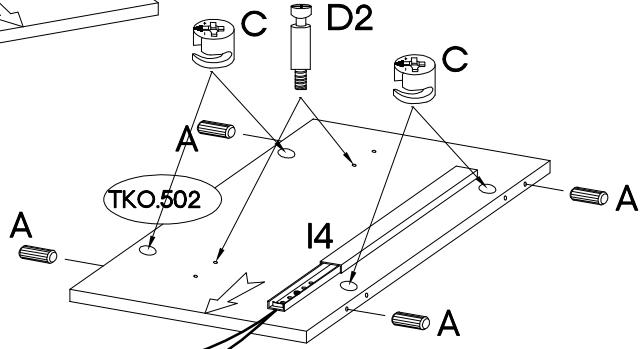
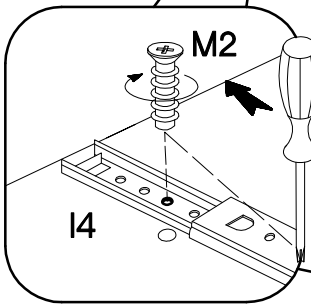
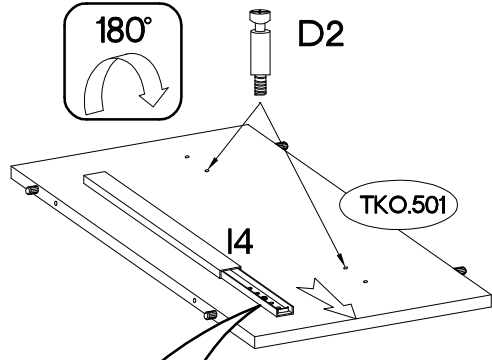
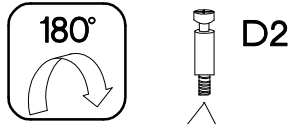
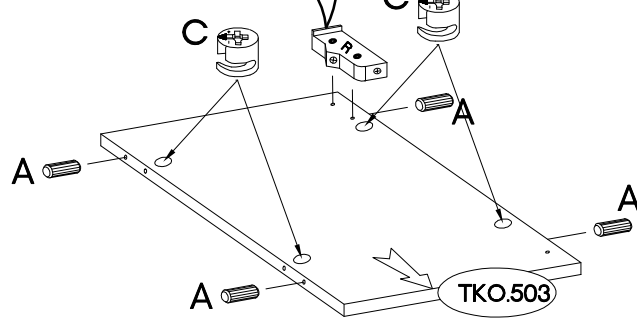
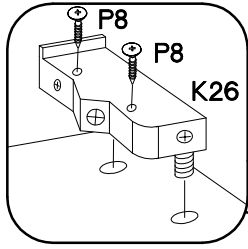
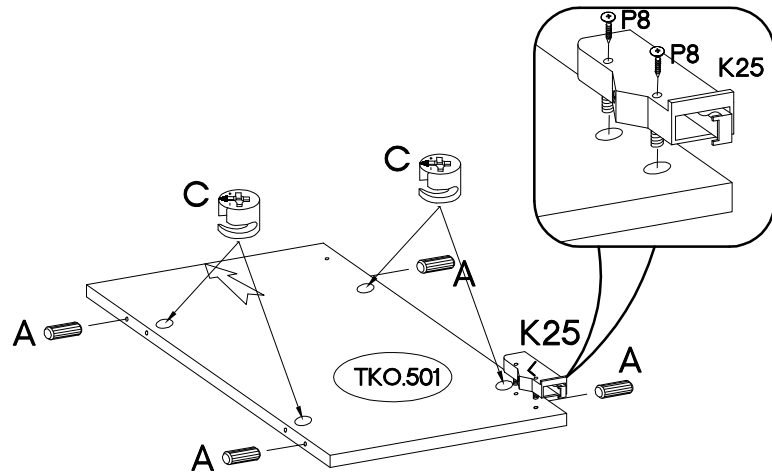
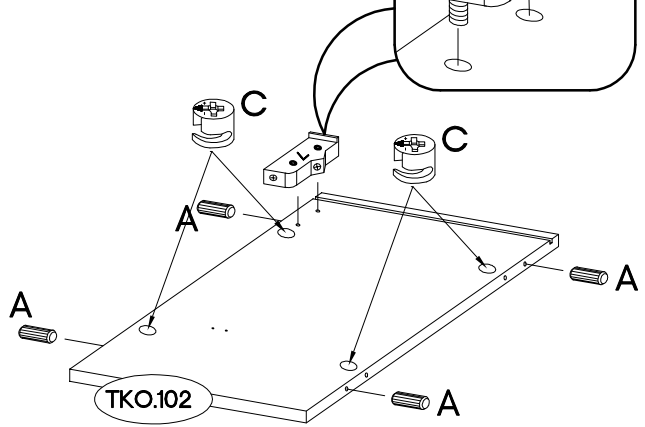
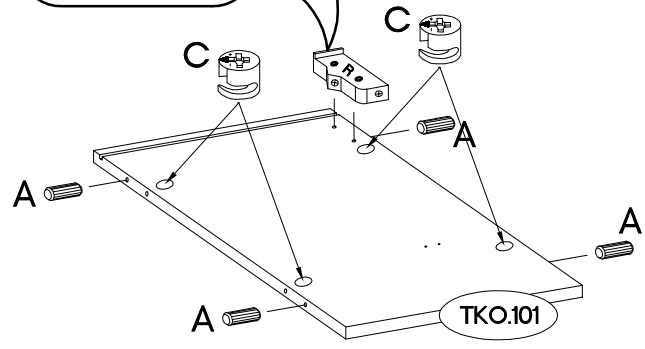
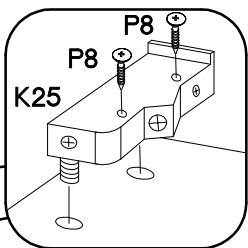
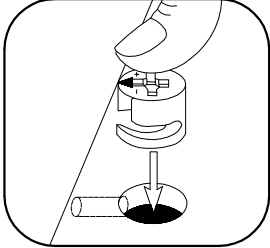
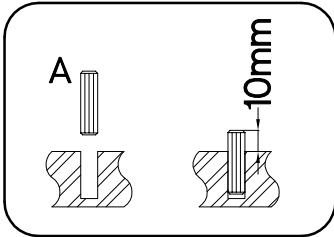
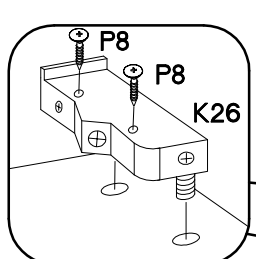
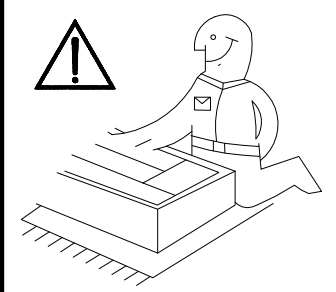
4



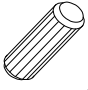


5

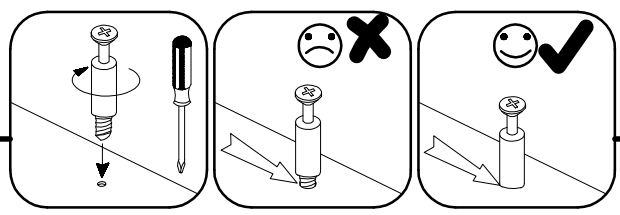
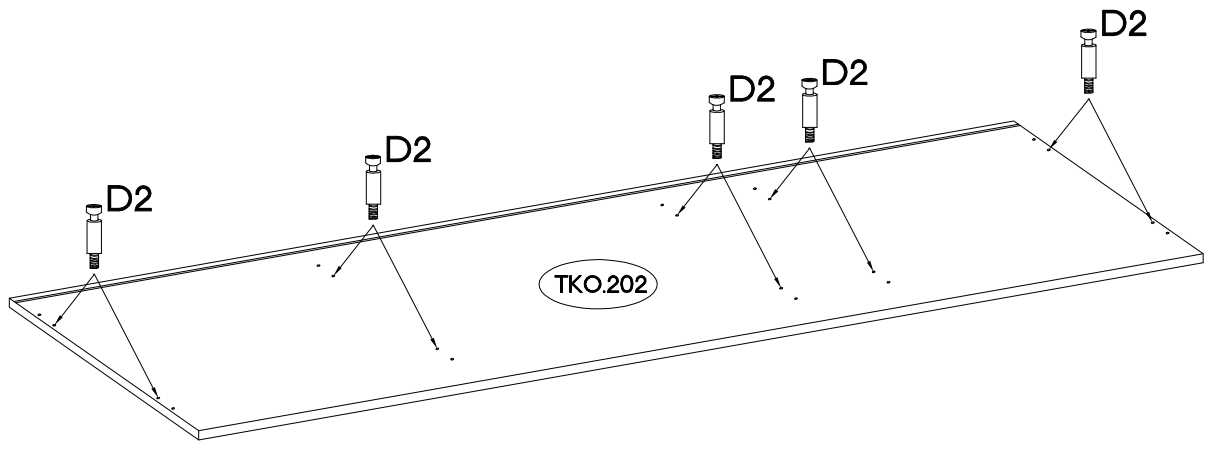
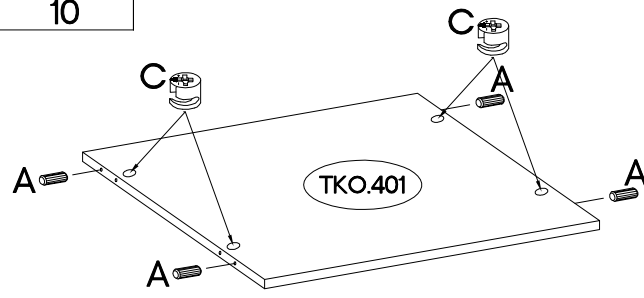
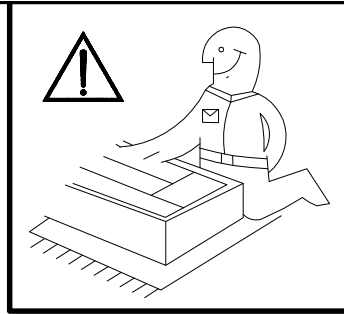


+8x30mm  A 20	+15/12mm  C 20	L=20mm  D2 4	27/310mm  I4 1	+6,3x13mm  M2 4	L  K25 2	R  K26 2	+4.0x30mm  P8 8
--	---	---	---	--	---	--	--




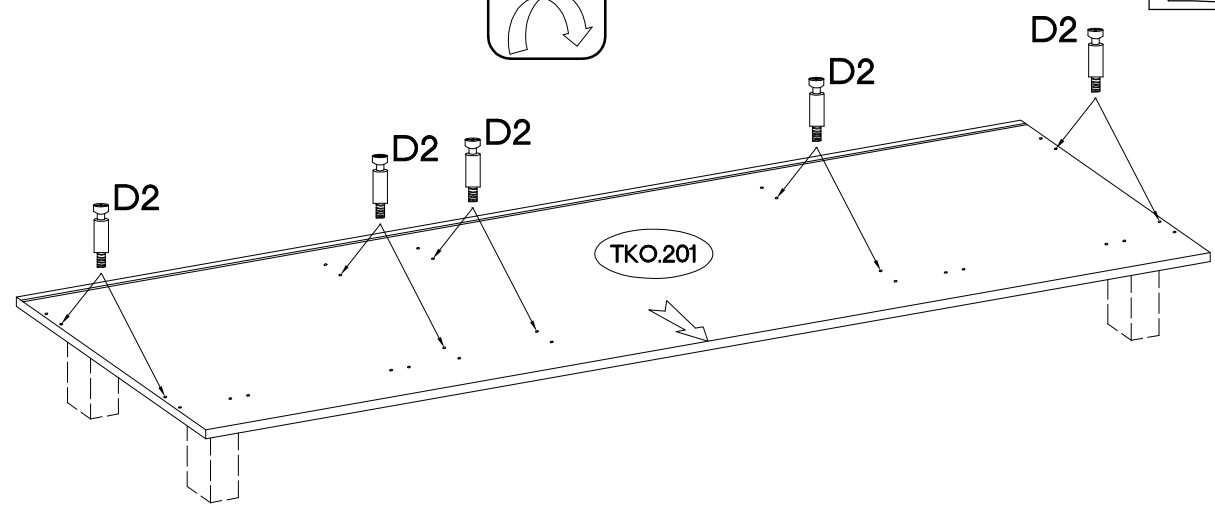
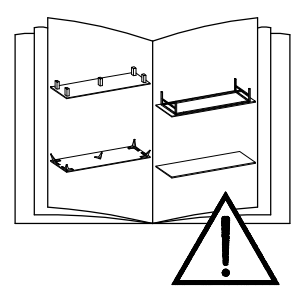
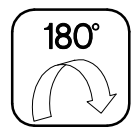
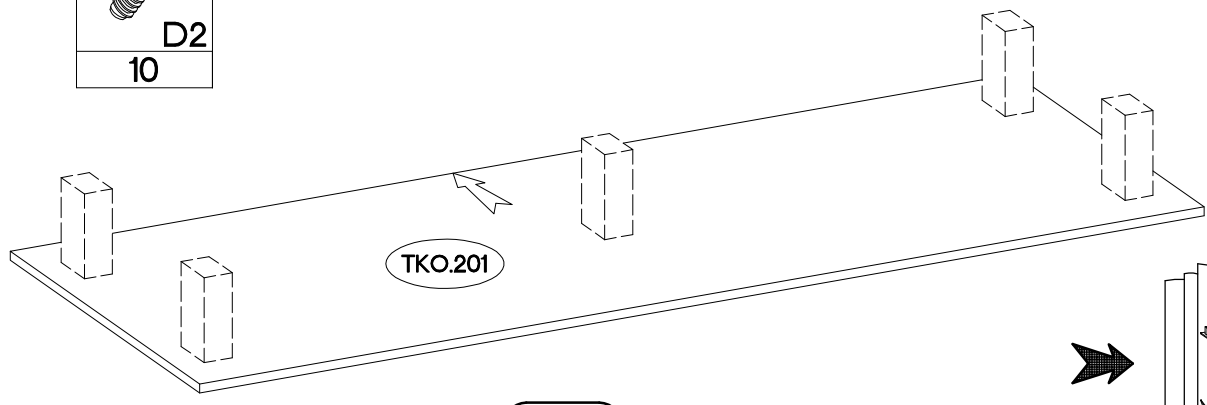
7

$\pm 8 \times 30 \text{mm}$  A 4	$\pm 15 / 12 \text{mm}$  C 4	L=20mm  D2 10
---	---	--

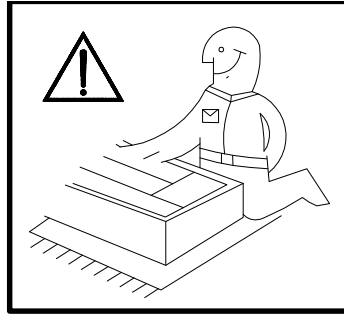
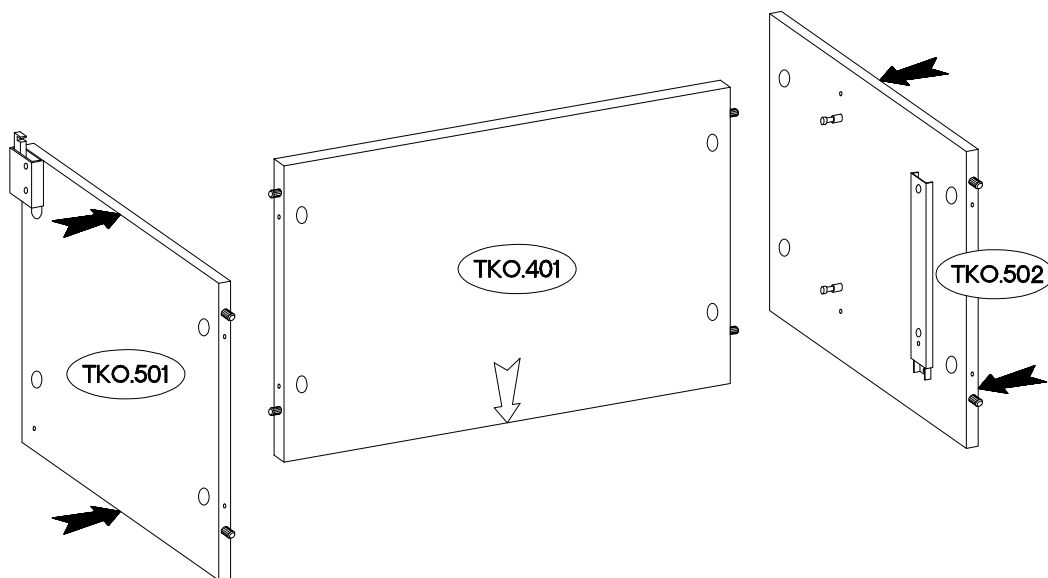


8

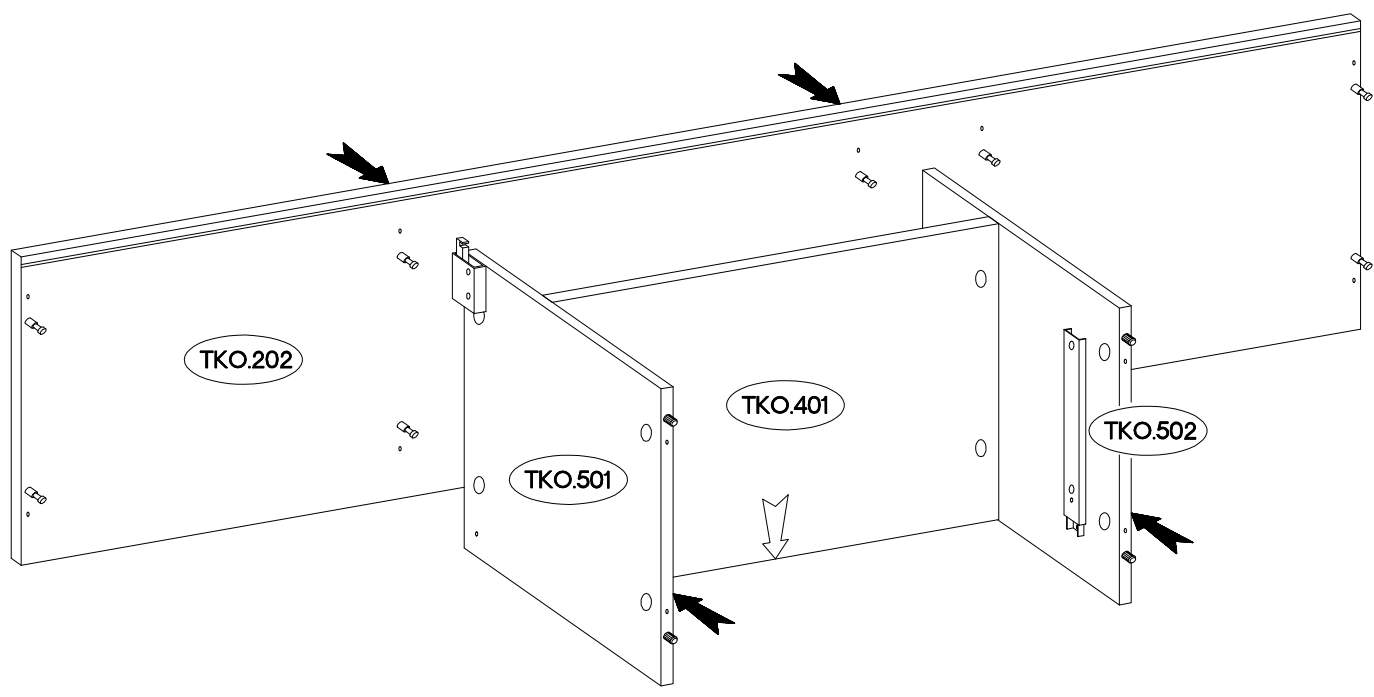
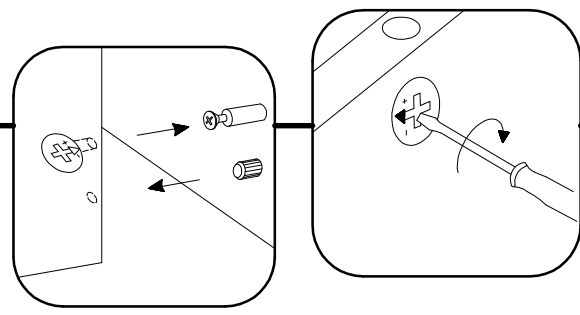
L=20mm  D2 10



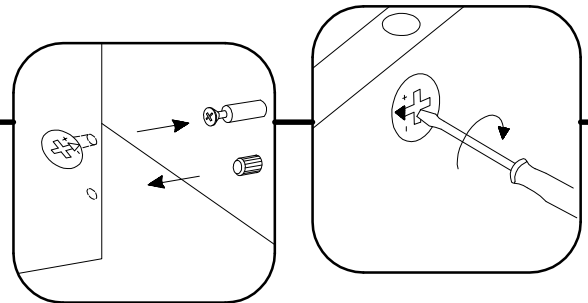
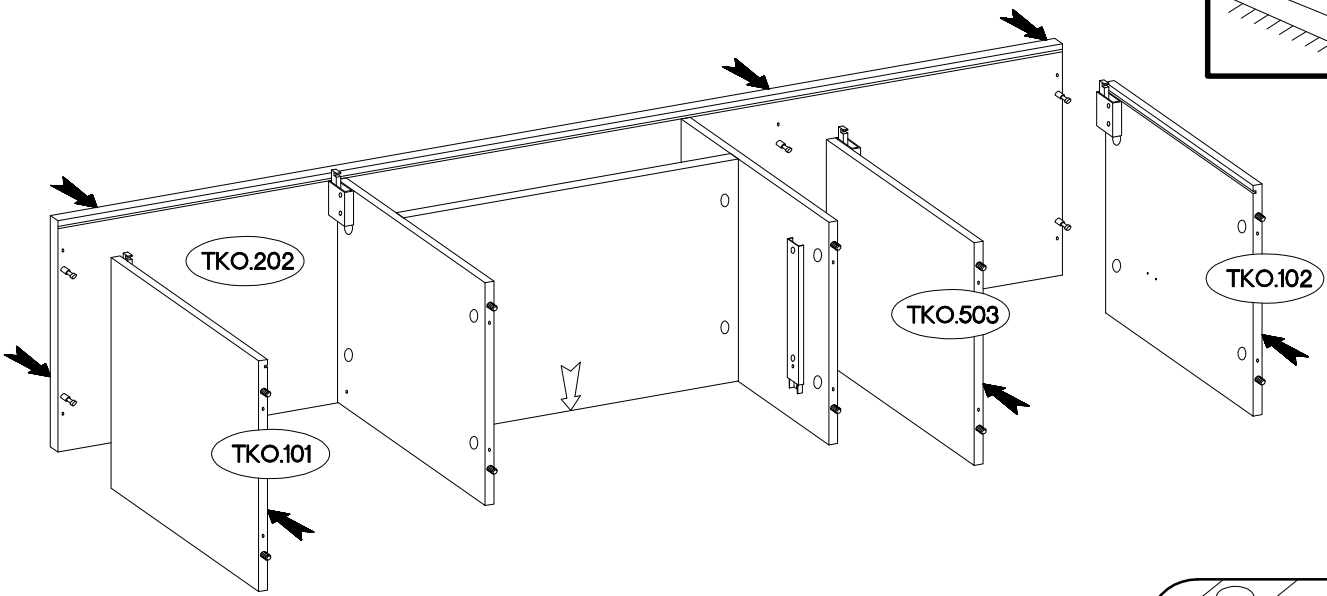
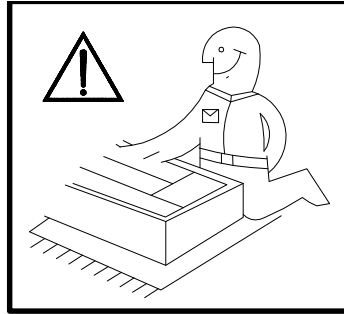
9



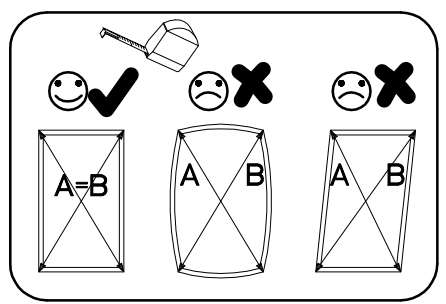
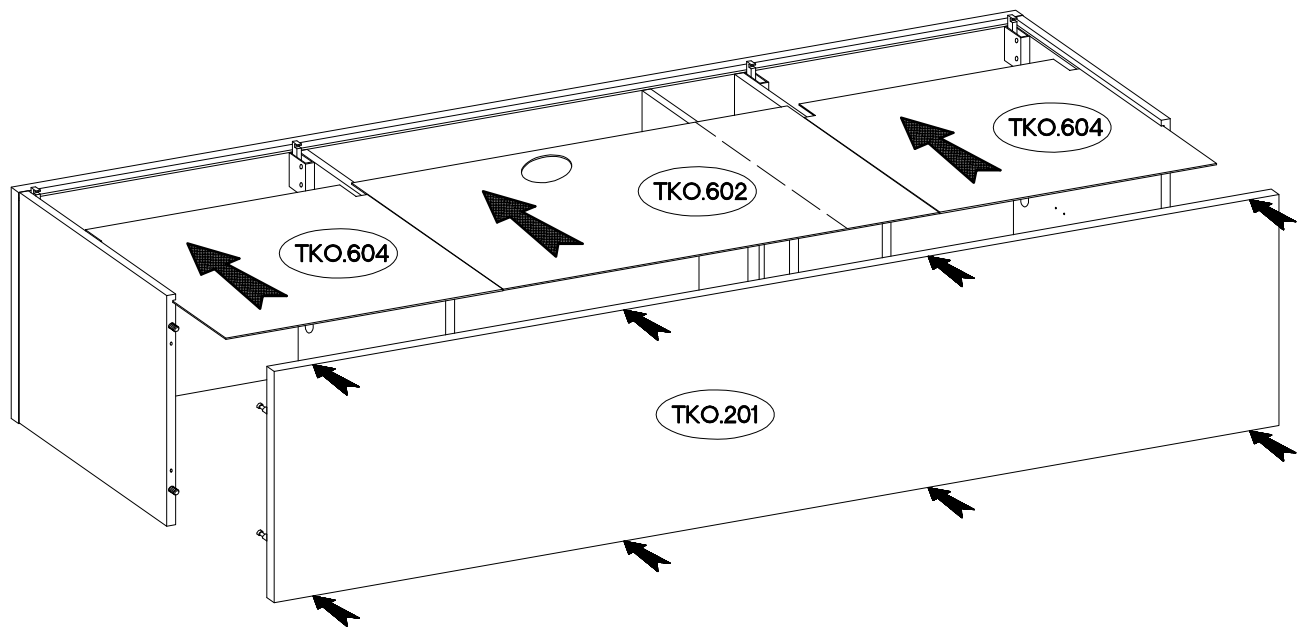
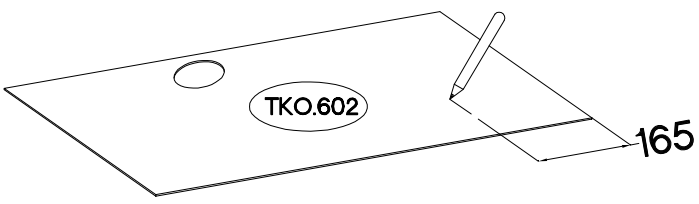
10




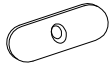
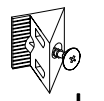
11

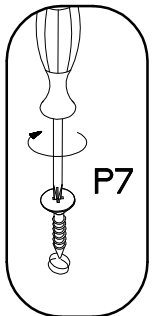
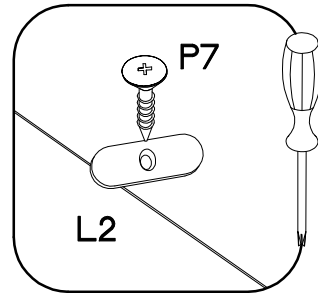
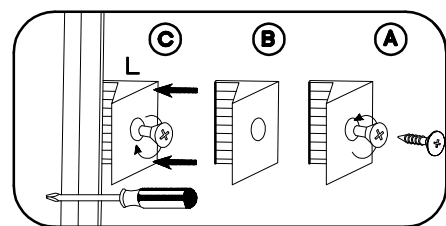
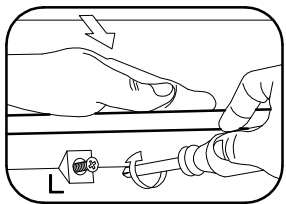
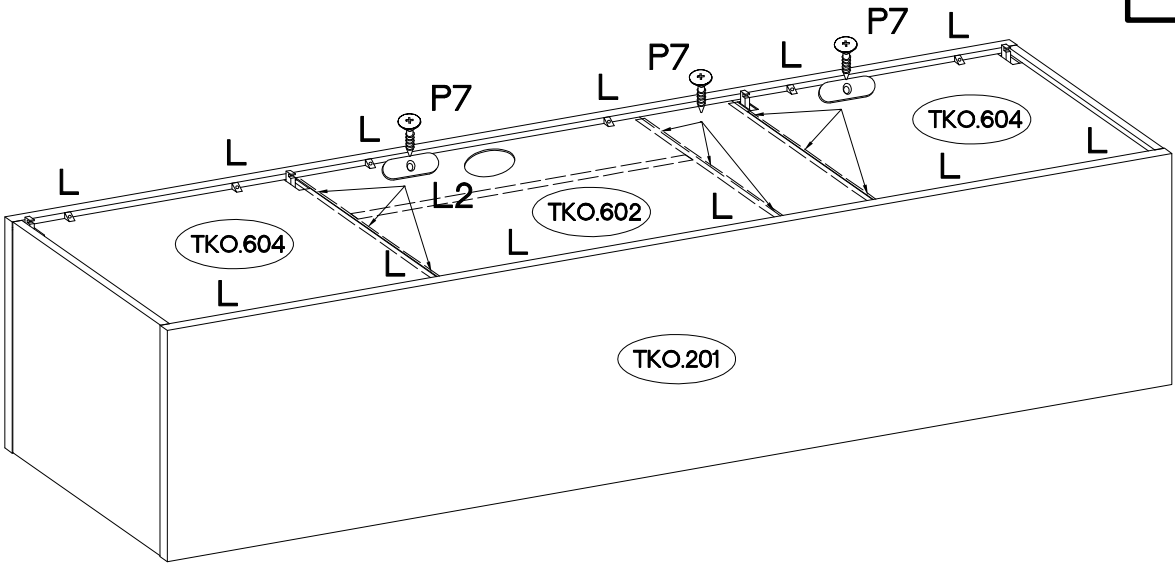
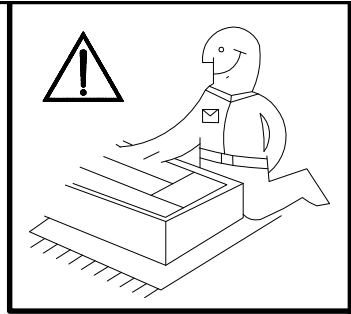


12

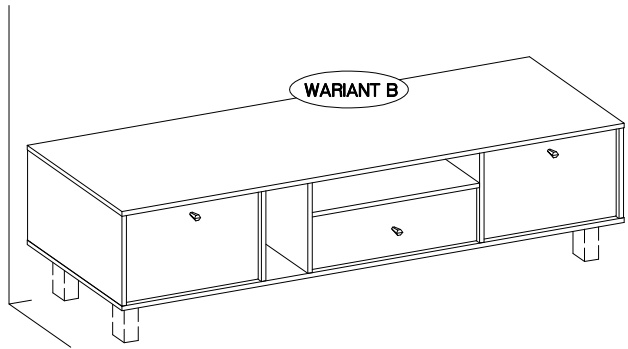
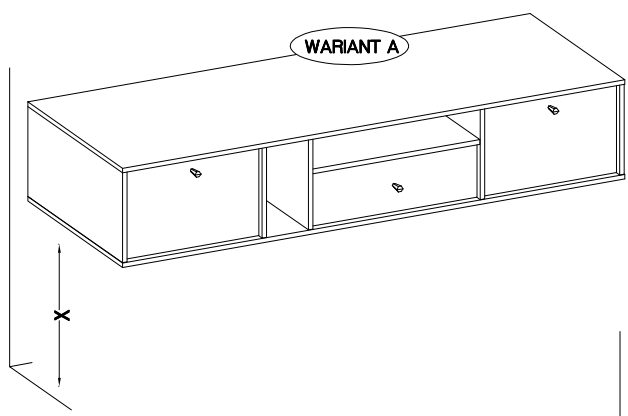


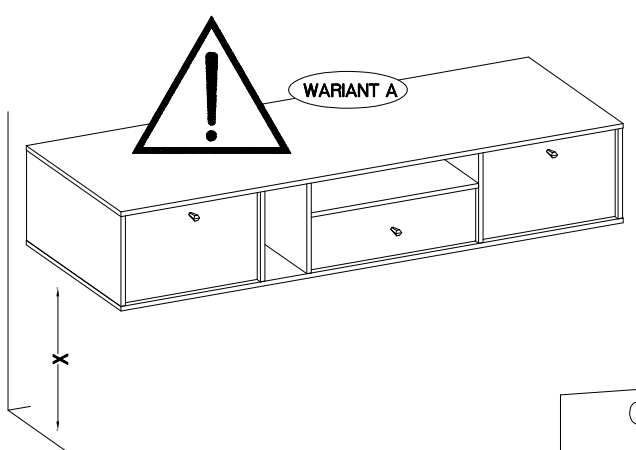
13

 P7 9	 L2 6	 L 12
---	---	---

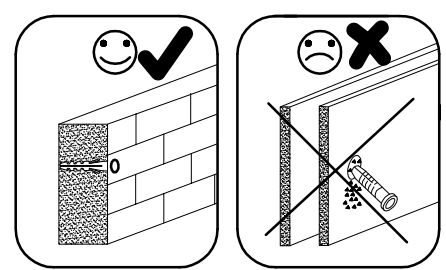
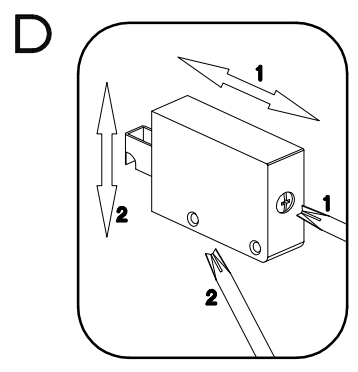
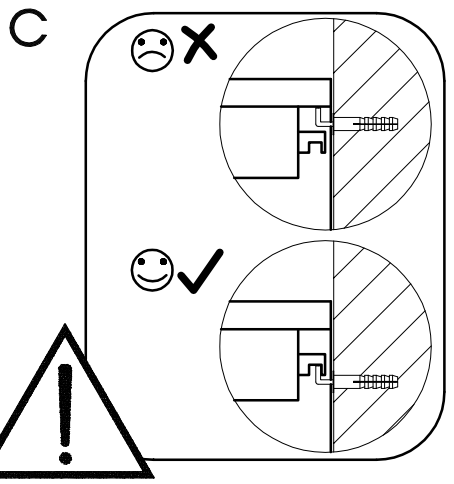
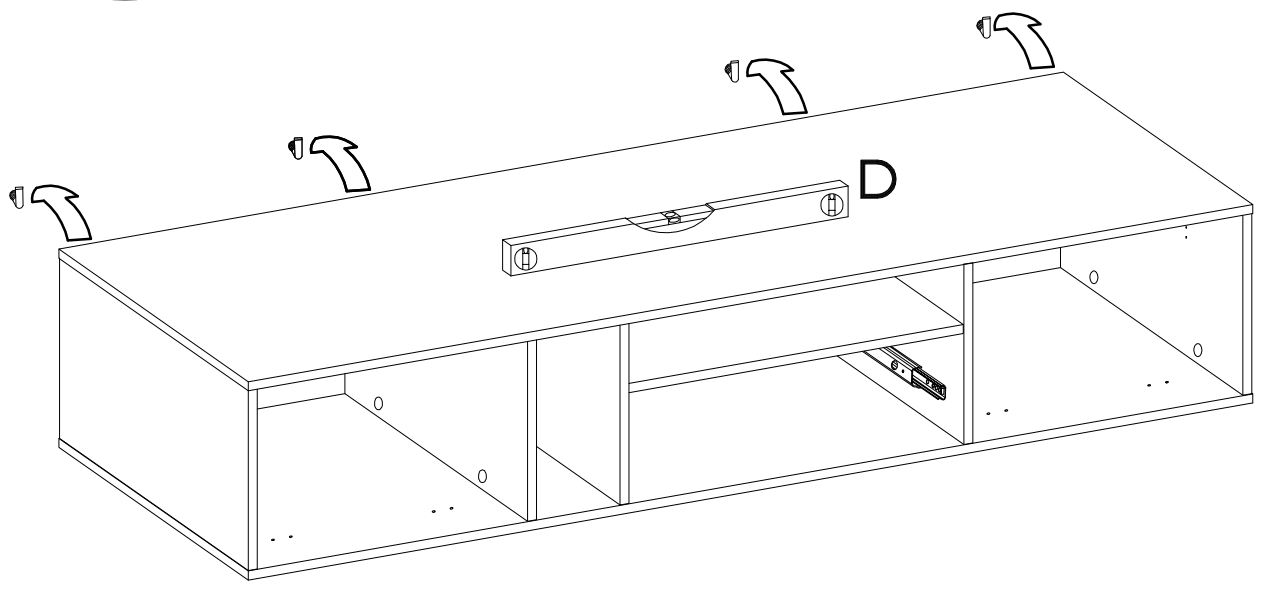
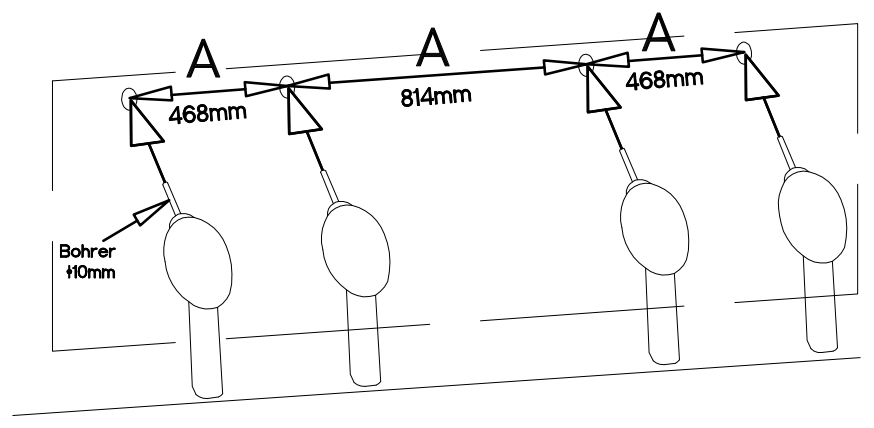
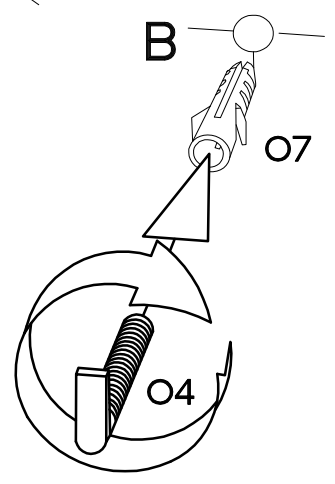


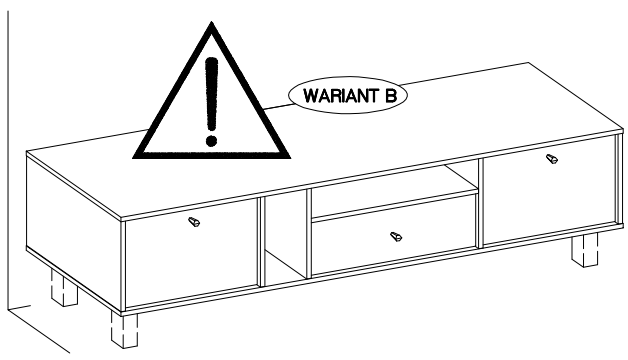
14





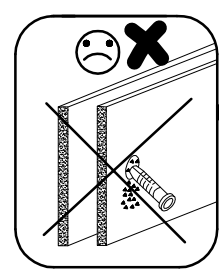
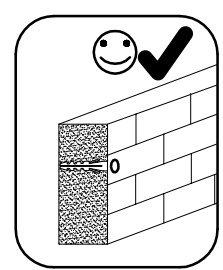
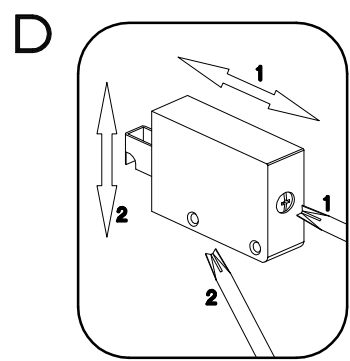
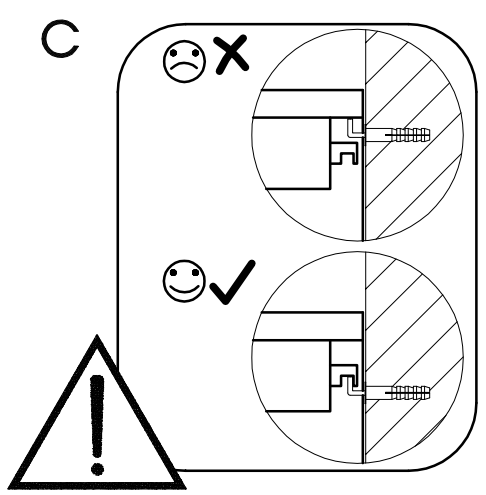
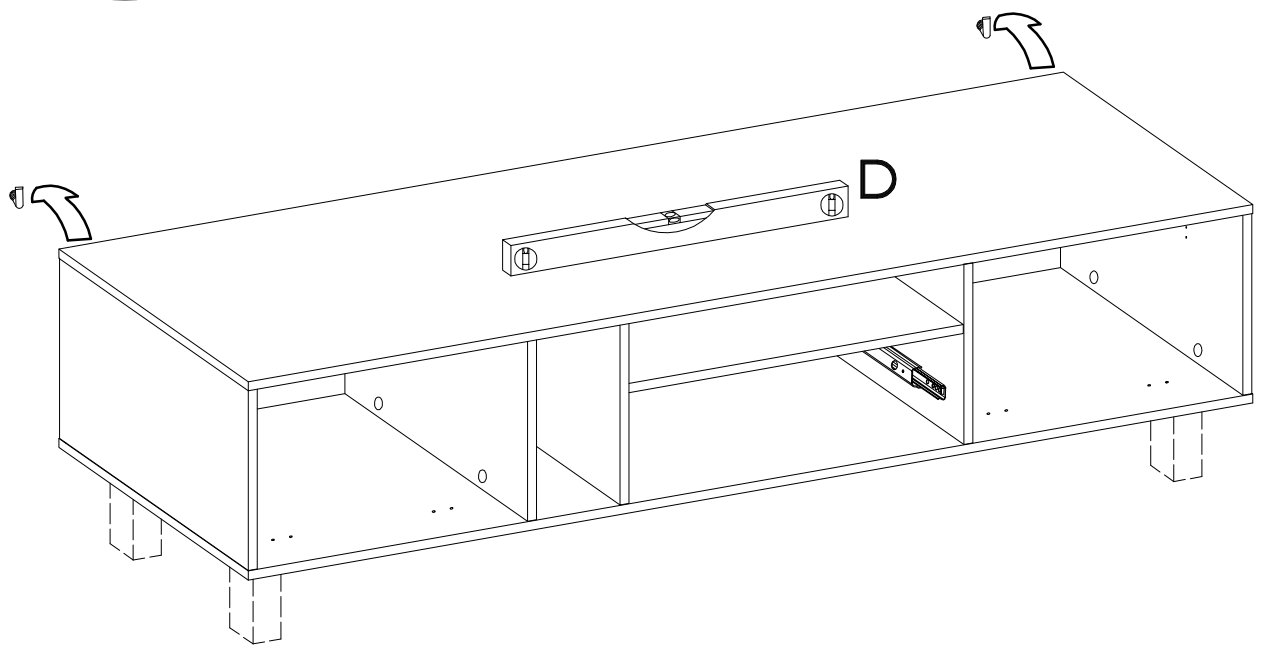
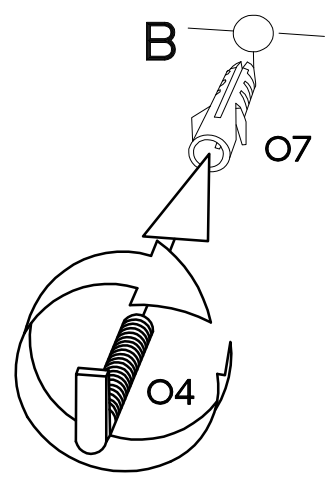
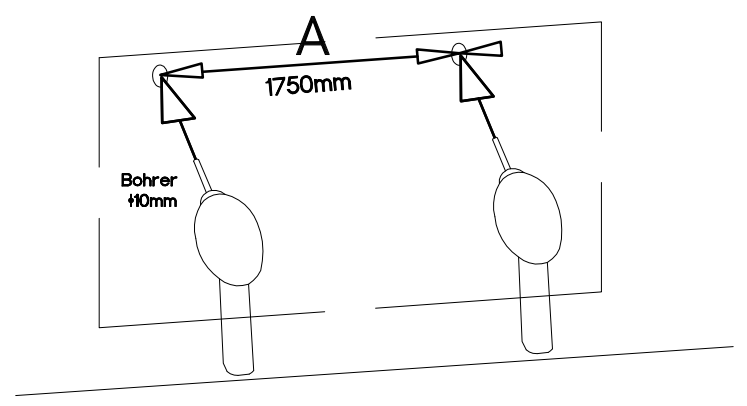


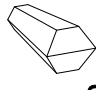



 #10x50mm O7 4	 6,5/68mm O4 4
-------------------------	-------------------------

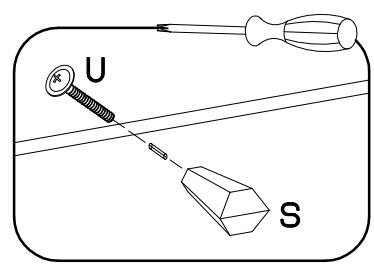
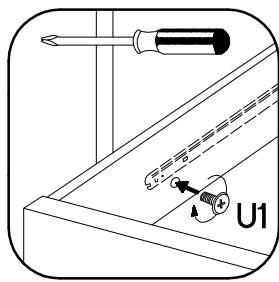
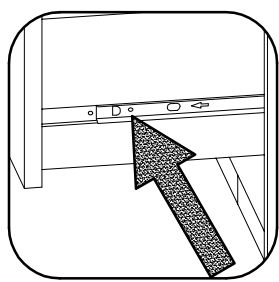
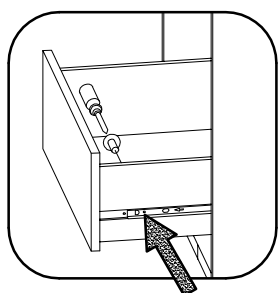
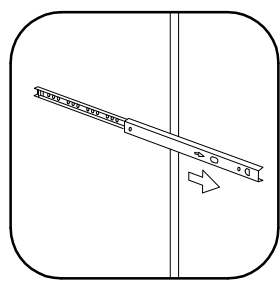
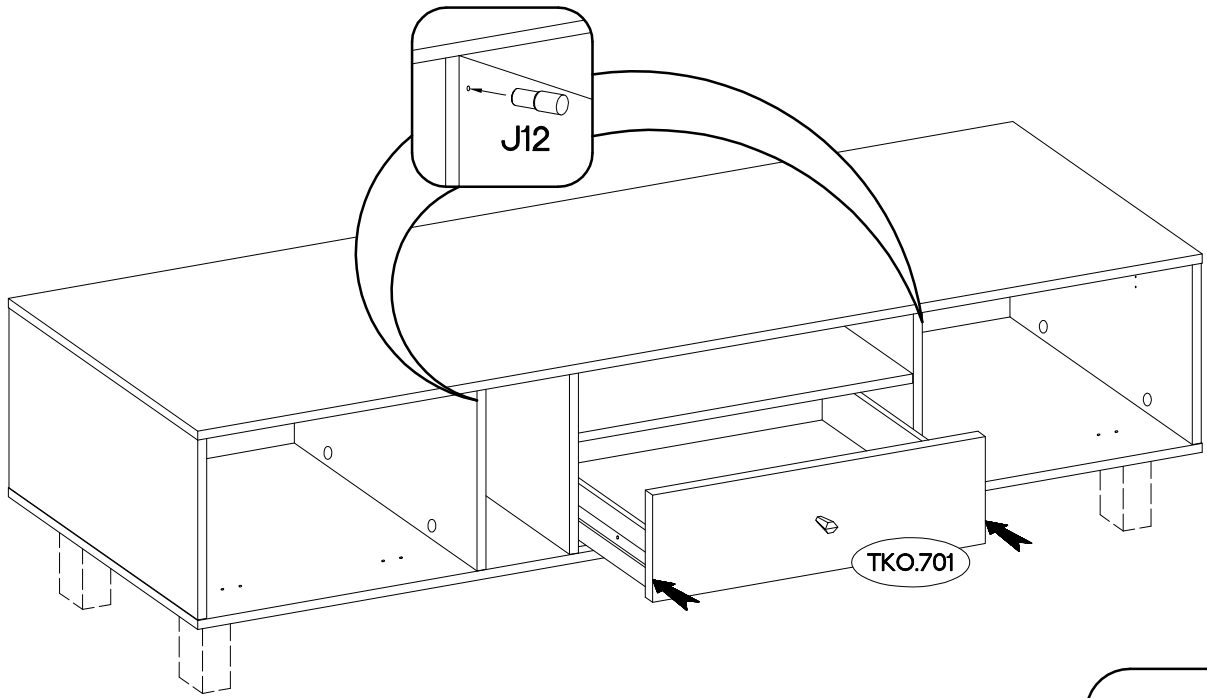




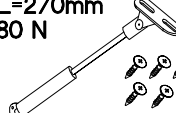



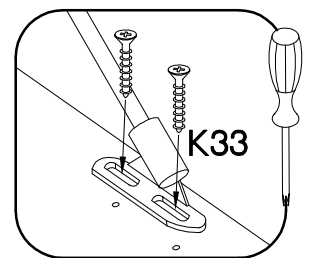
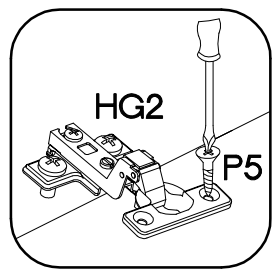
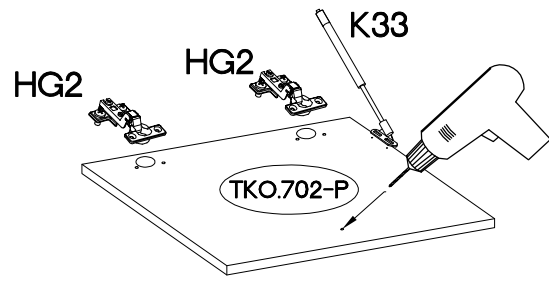
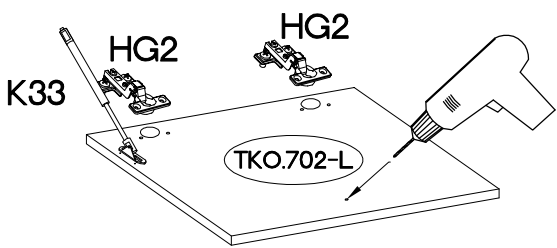
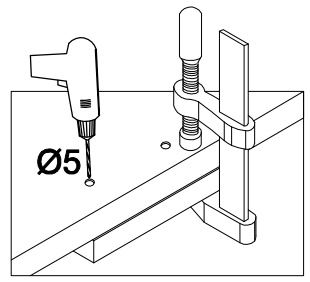
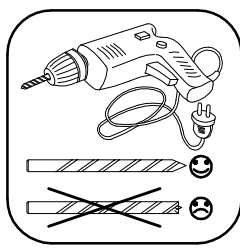
 #10x50mm O7 2	 6,5/68mm O4 2
---	---

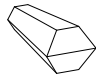

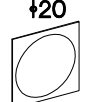


	M4x22mm 	M4x9mm 	
S	U	U1	J12
1	1	2	2



		L=270mm 80 N 	BARKOWY 
HG2	P5	K33	
4	8	2	



	M4x22mm		
S		U	E11
2		2	18

