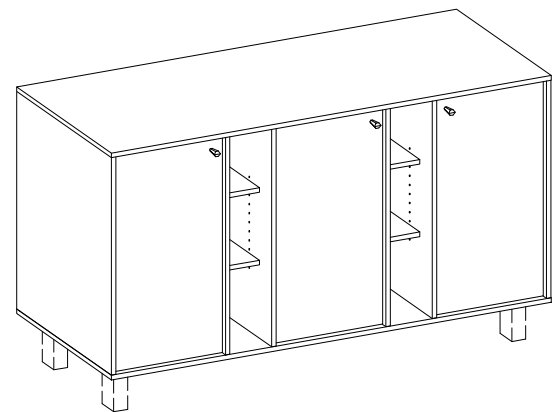
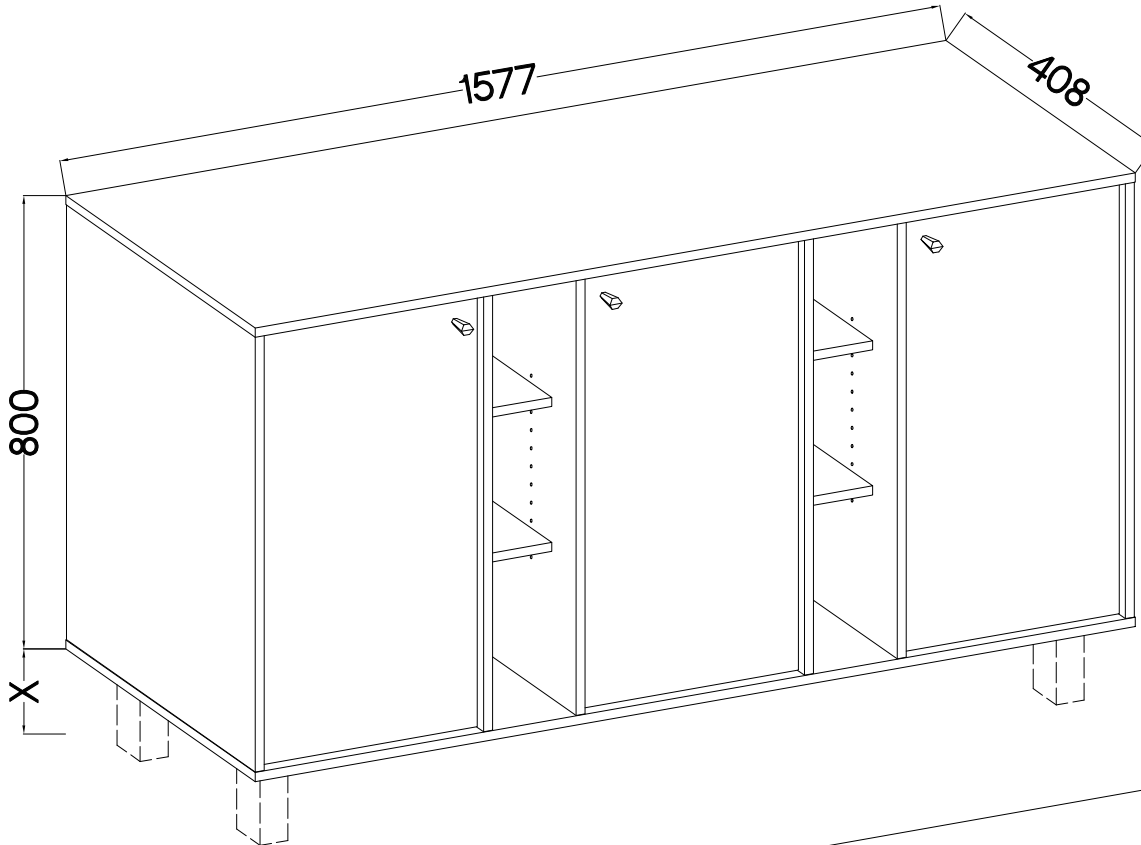
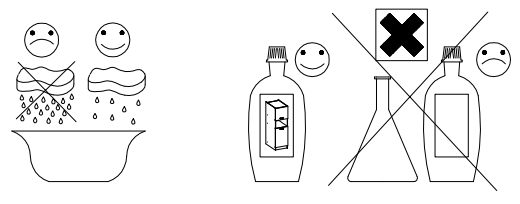
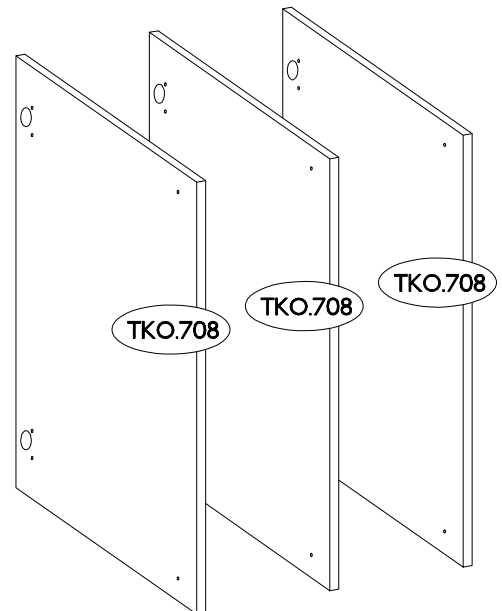
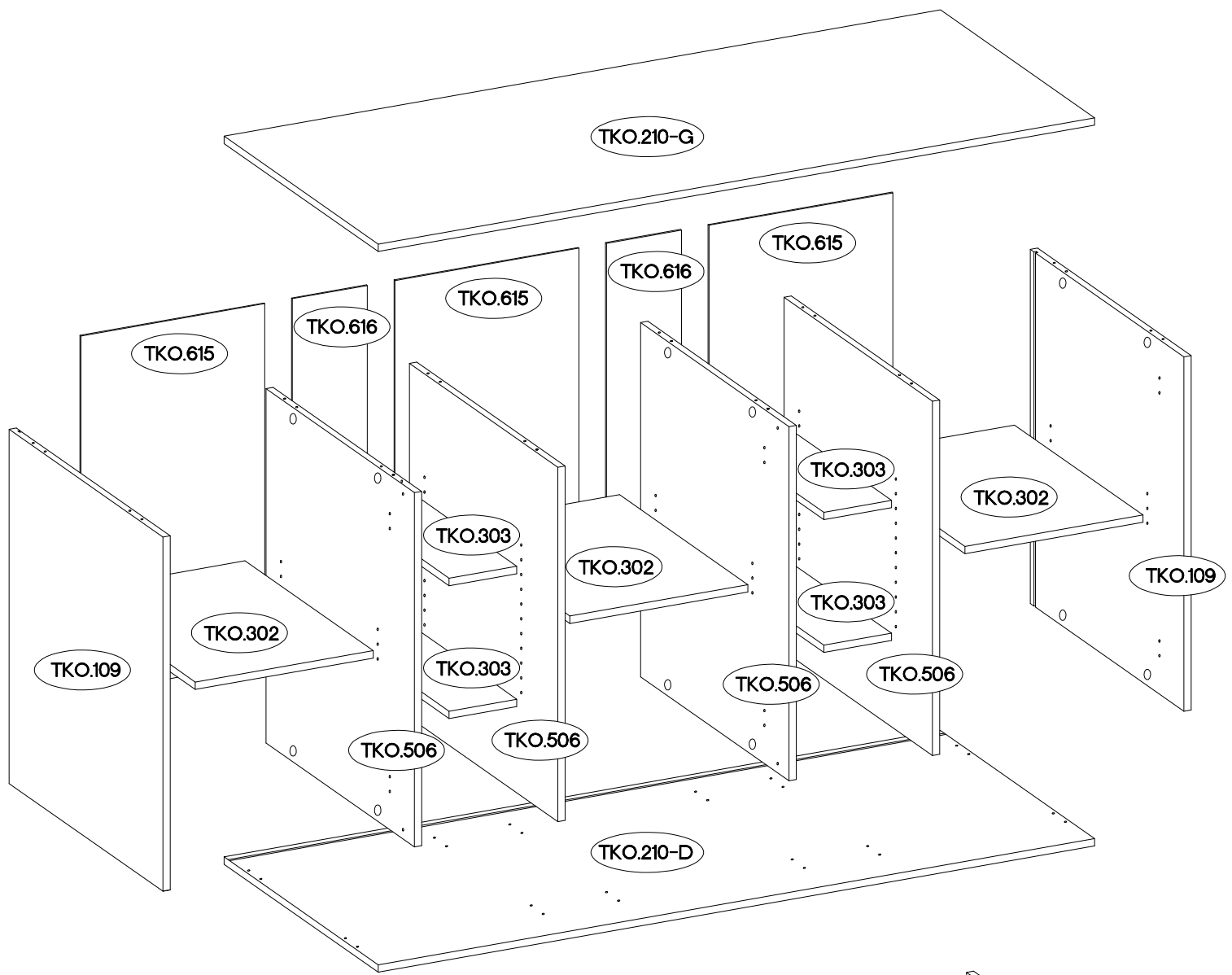


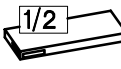
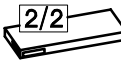
TYP 823

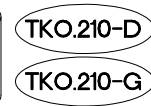


 <b>A</b> 24	 <b>C</b> 24	 <b>D2</b> 24	 <b>E11</b> 24								
 <b>HG2</b> 6	 <b>J3</b> 28	 <b>J12</b> 3	 <b>L</b> 18	 <b>L2</b> 28	 <b>L9</b> 1	 <b>O7</b> 1	 <b>P5</b> 13	 <b>P7</b> 28	 <b>S</b> 3	 <b>U</b> 3	

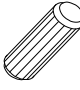

ISM-TKO-007

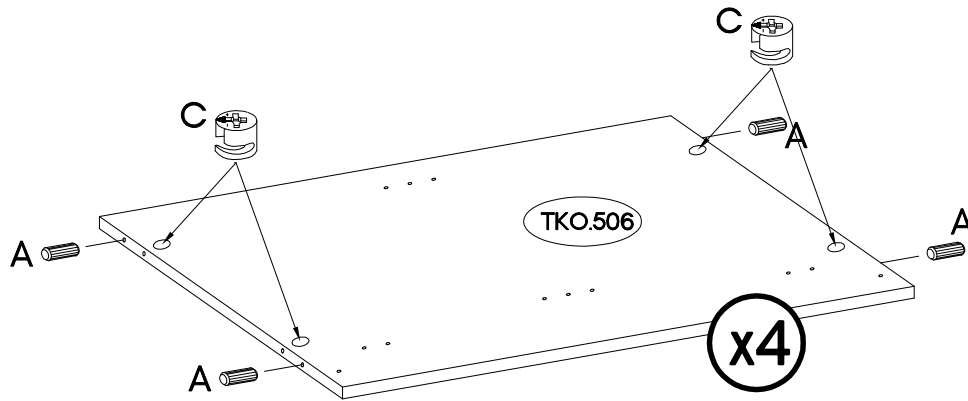
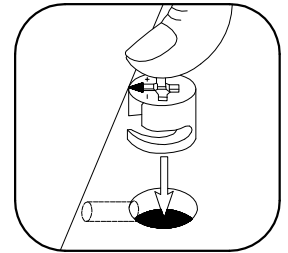
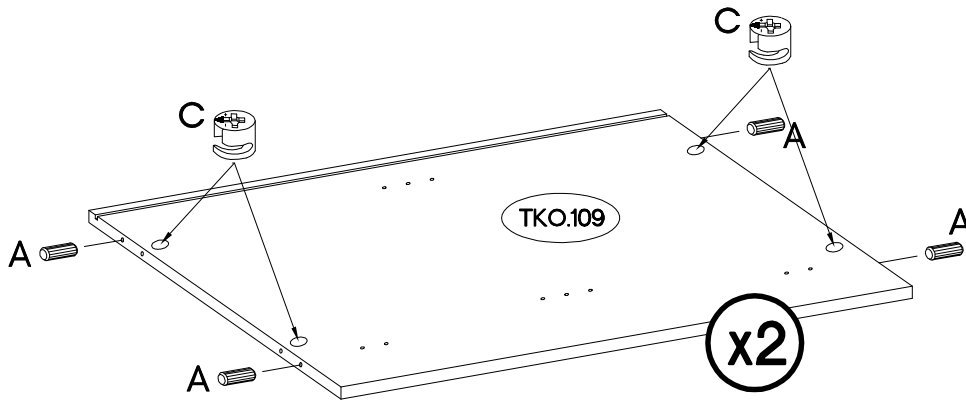
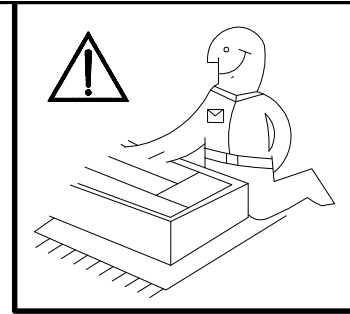
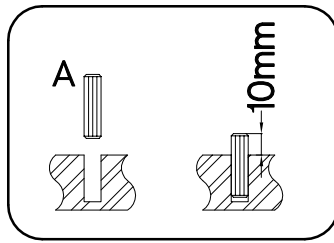


	Ersatzteil Nummer	Dimension
	TKO.109 x2	768x407x16
	TKO.302 x3	392x340x16
	TKO.303 x4	149x340x16
	TKO.615 x3	777x405x2,5
	TKO.616 x2	777x165x2,5
	TKO.708 x3	762x389x16
	TKO.506 x4	768x393x16
	TKO.210 x2	1577x408x16




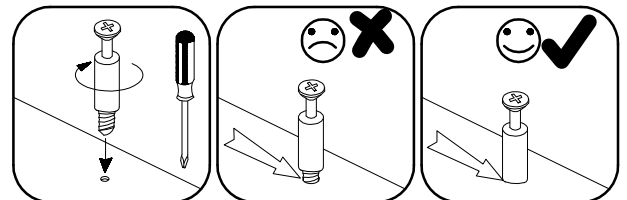
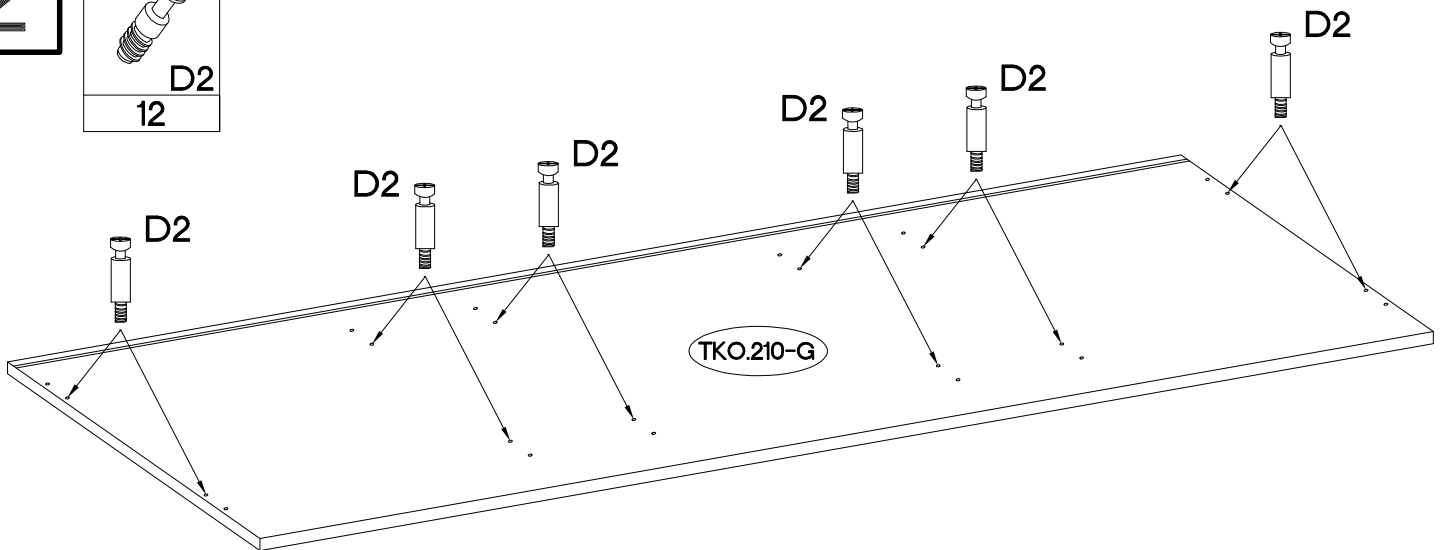
1

±8x30mm  A 24	±15/12mm  C 24
--	---

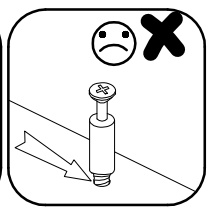
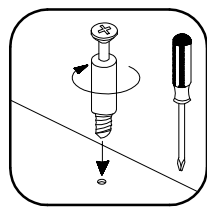
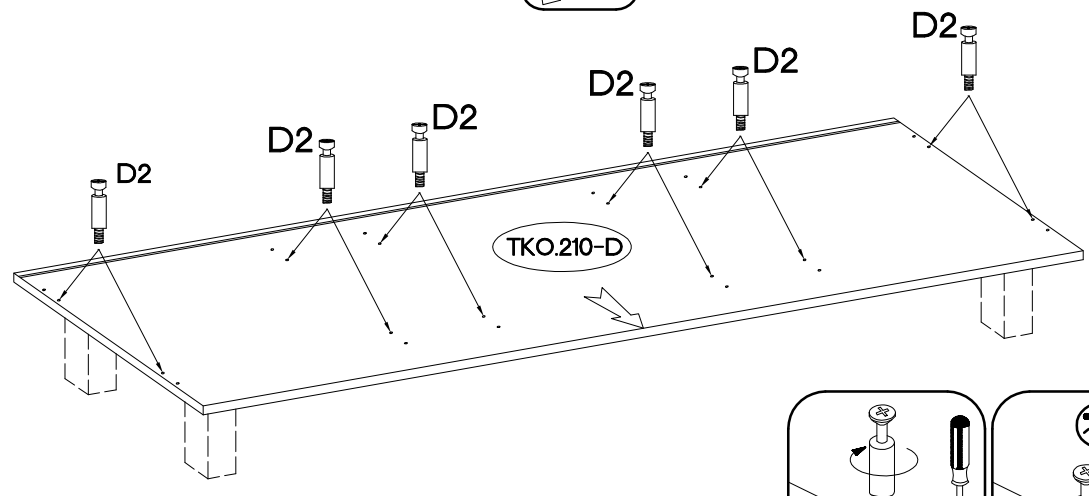
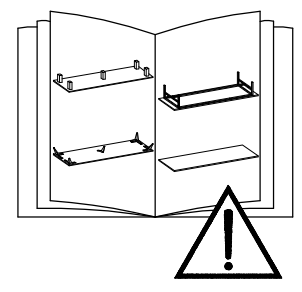
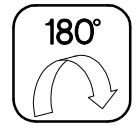
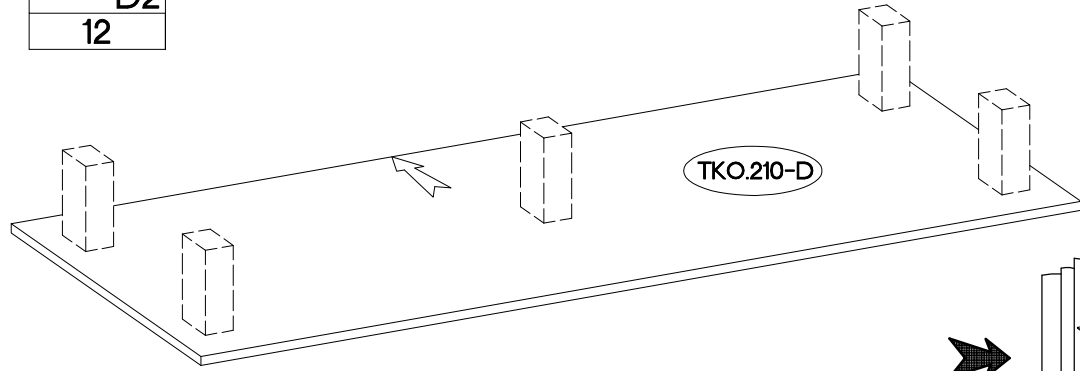
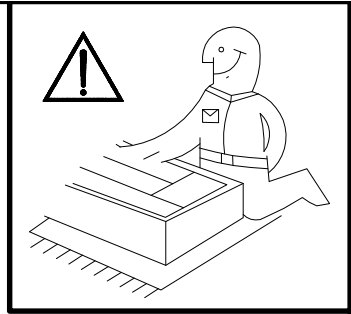
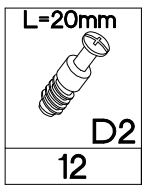


2

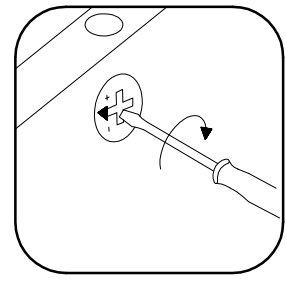
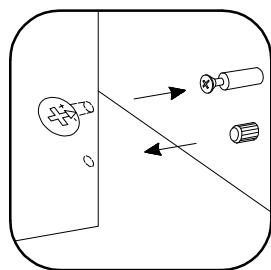
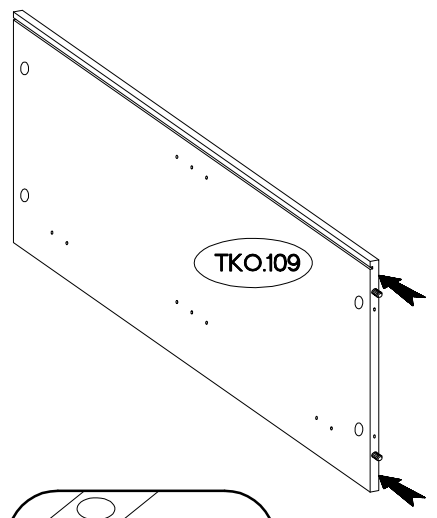
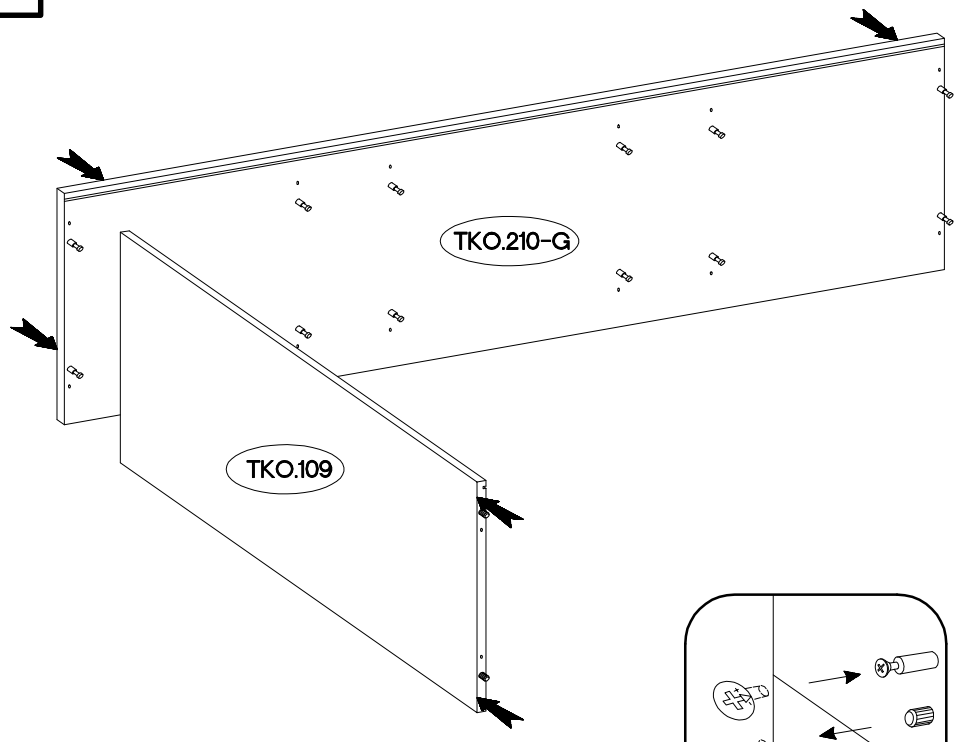
L=20mm  D2 12
---



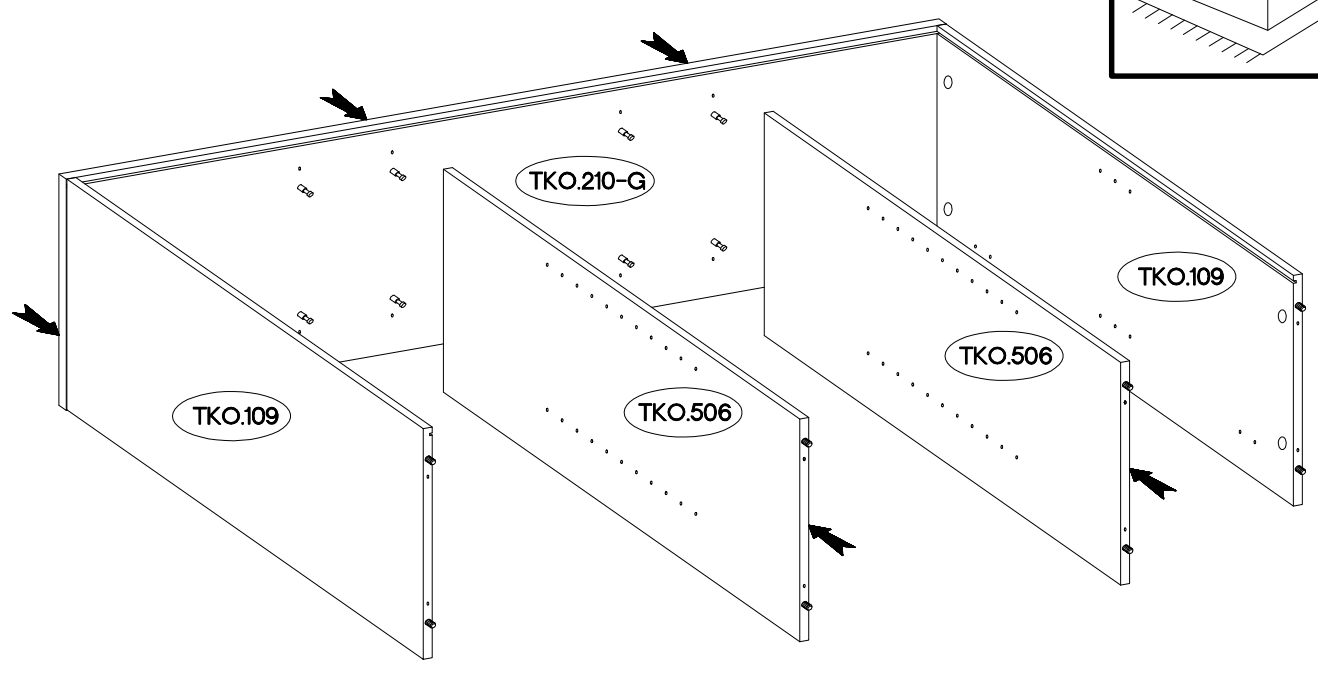
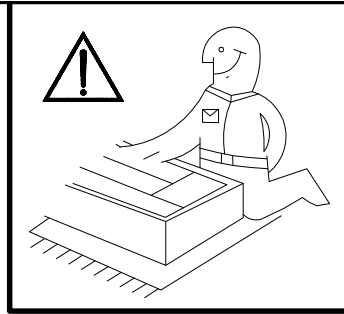
3



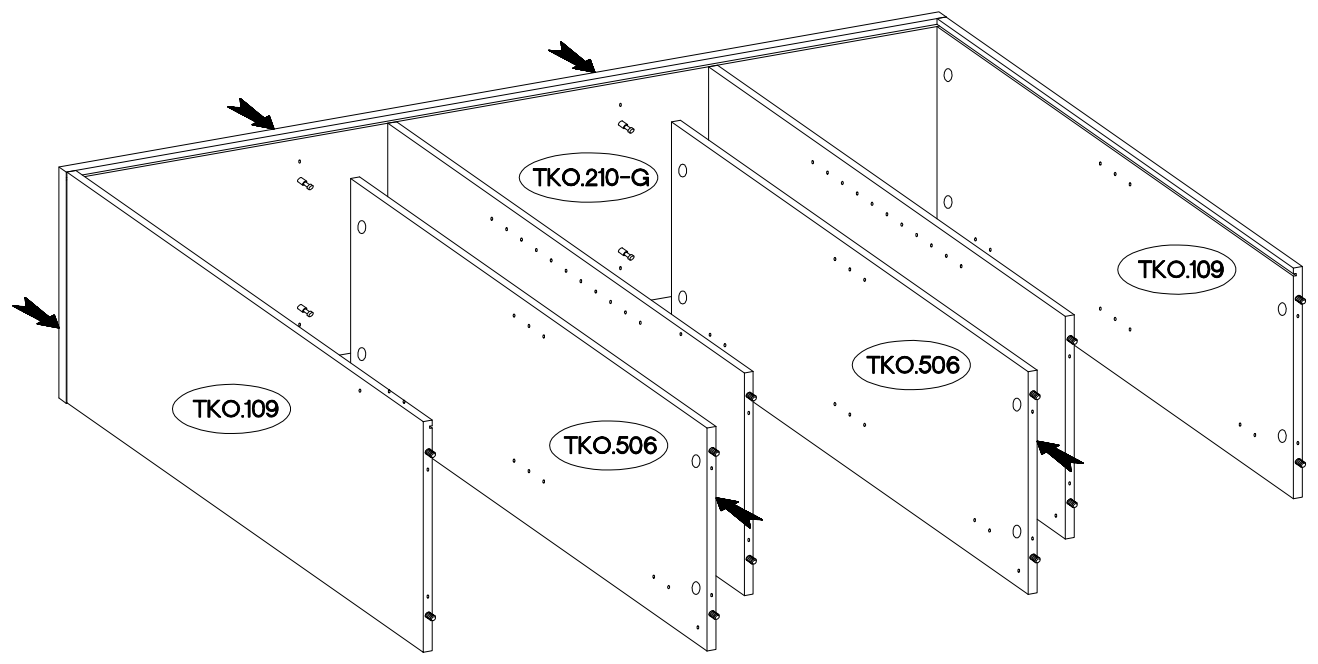
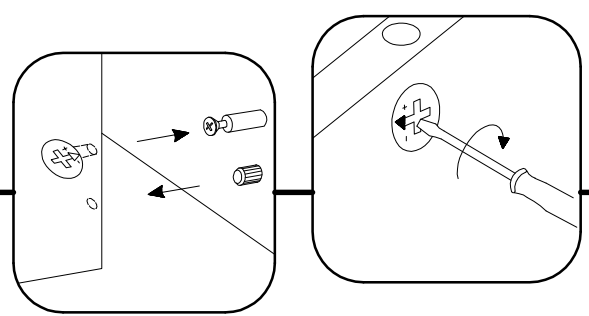
4



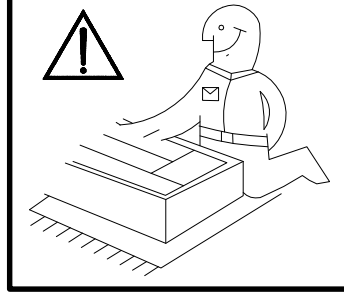
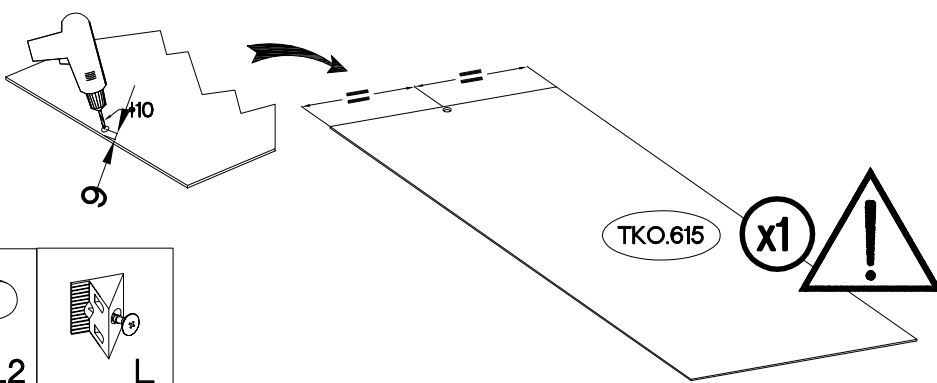
5



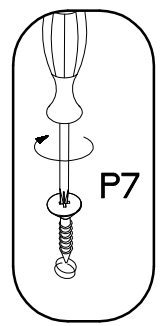
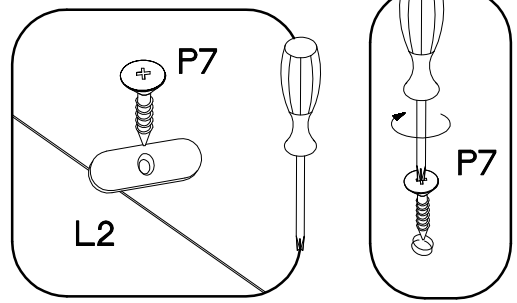
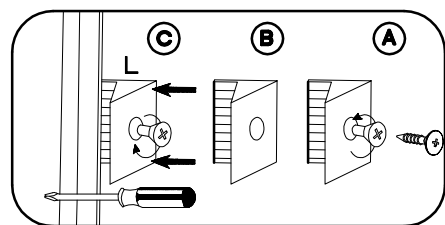
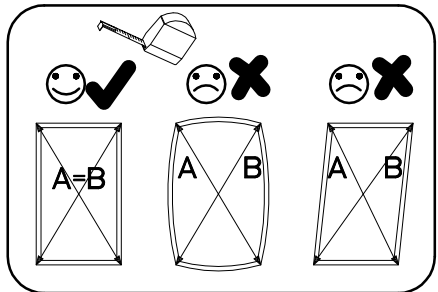
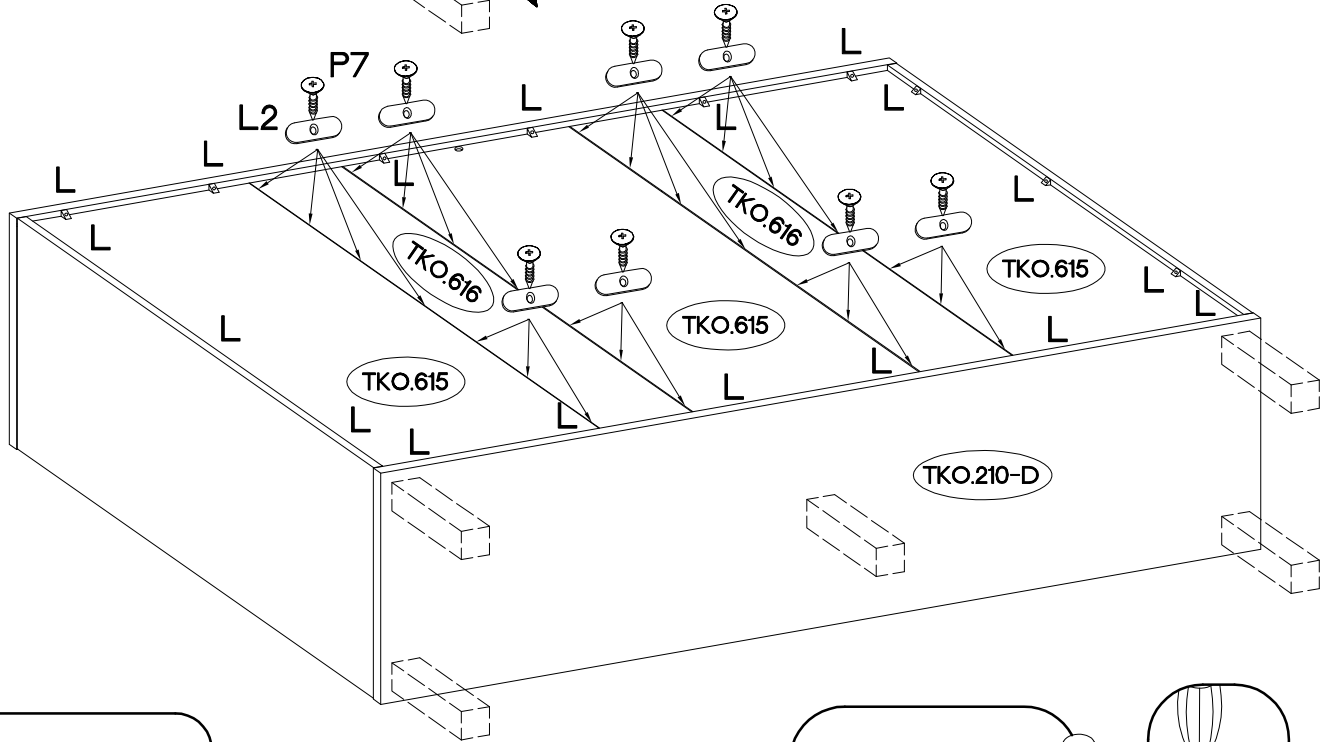
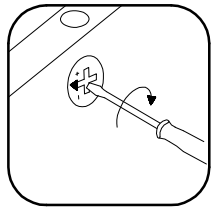
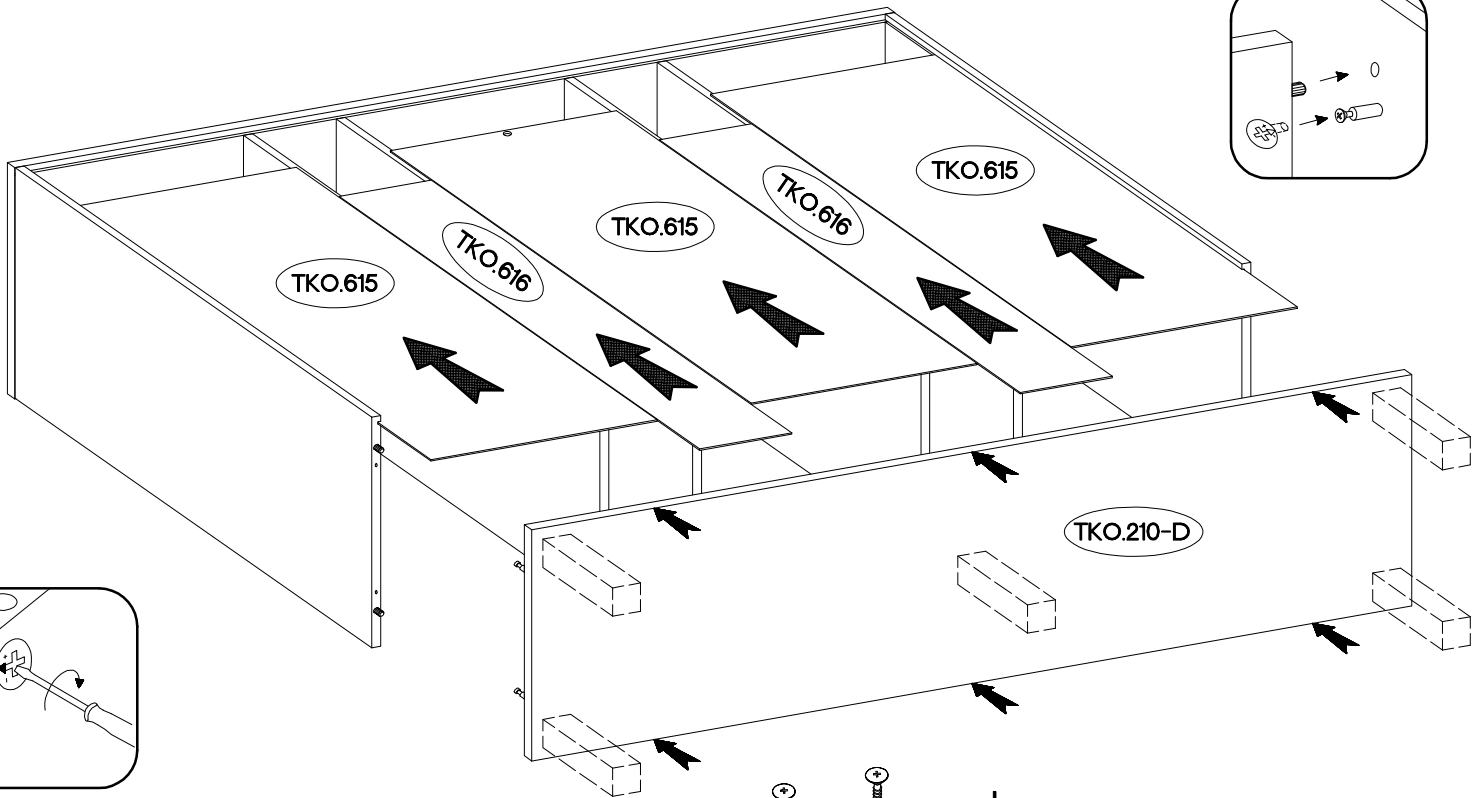
6

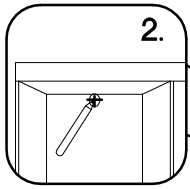


7

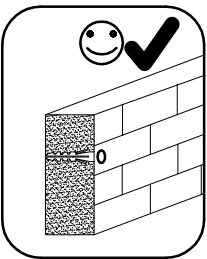
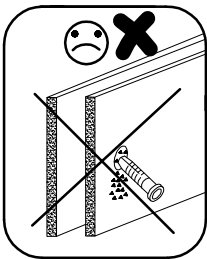
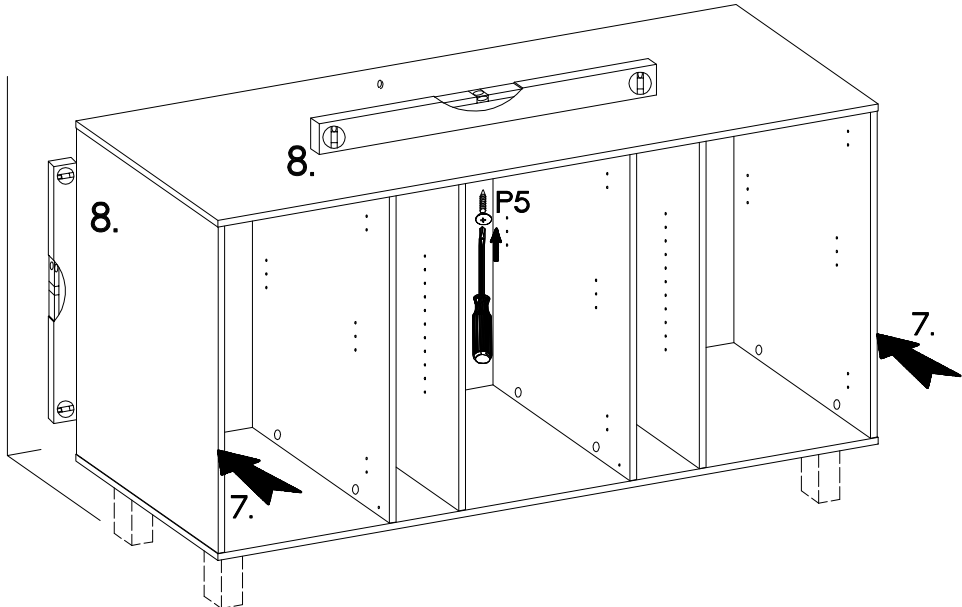
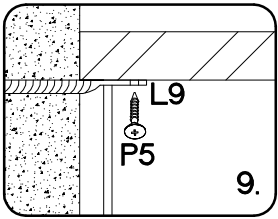
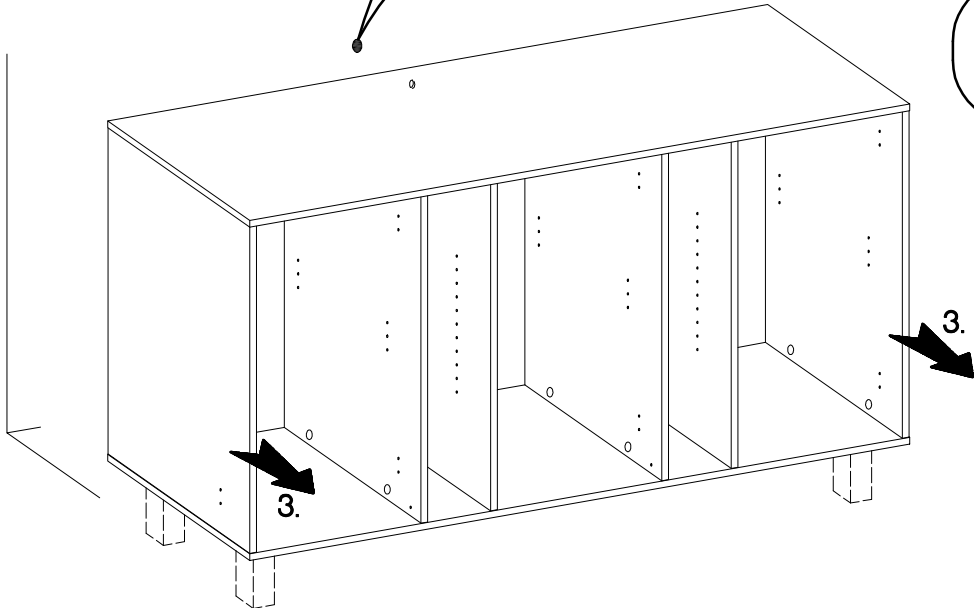
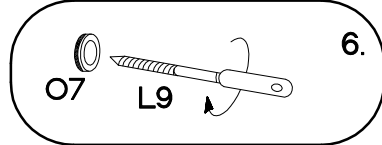
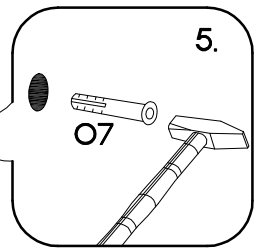
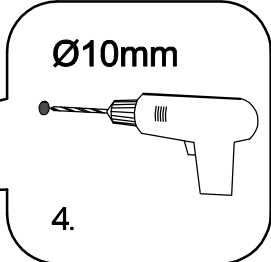
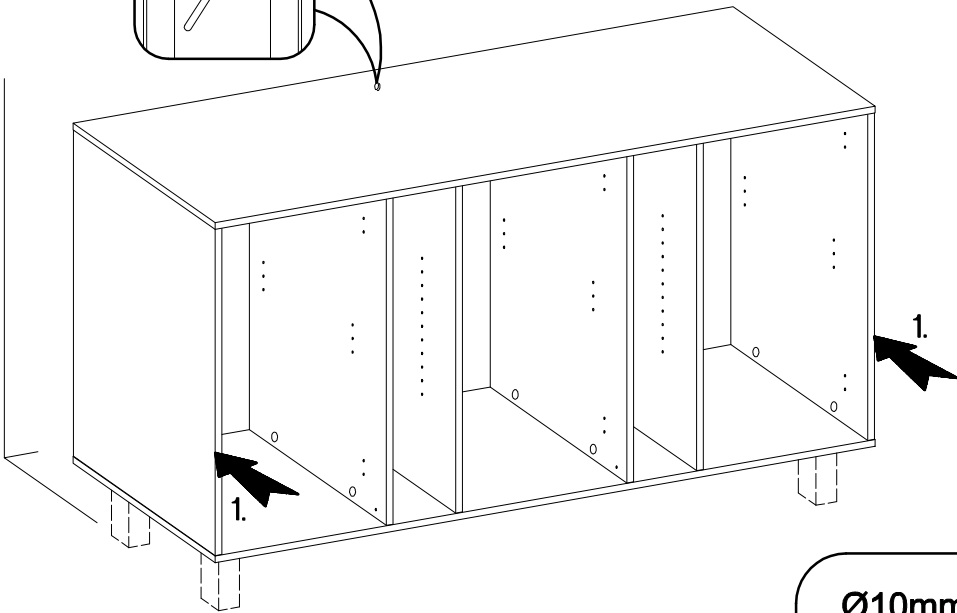


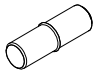
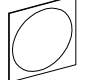
 P7 28	 L2 28	 L 18
--------------	--------------	-------------

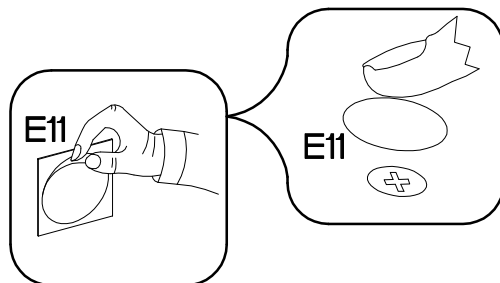
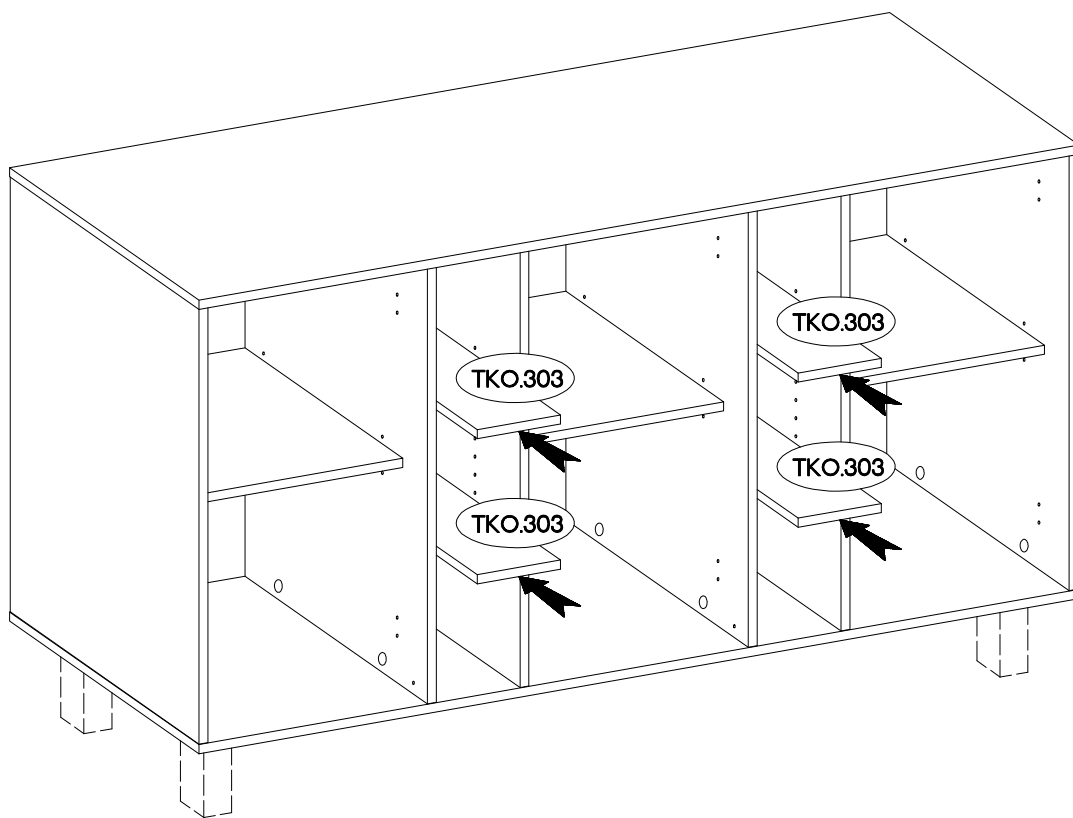
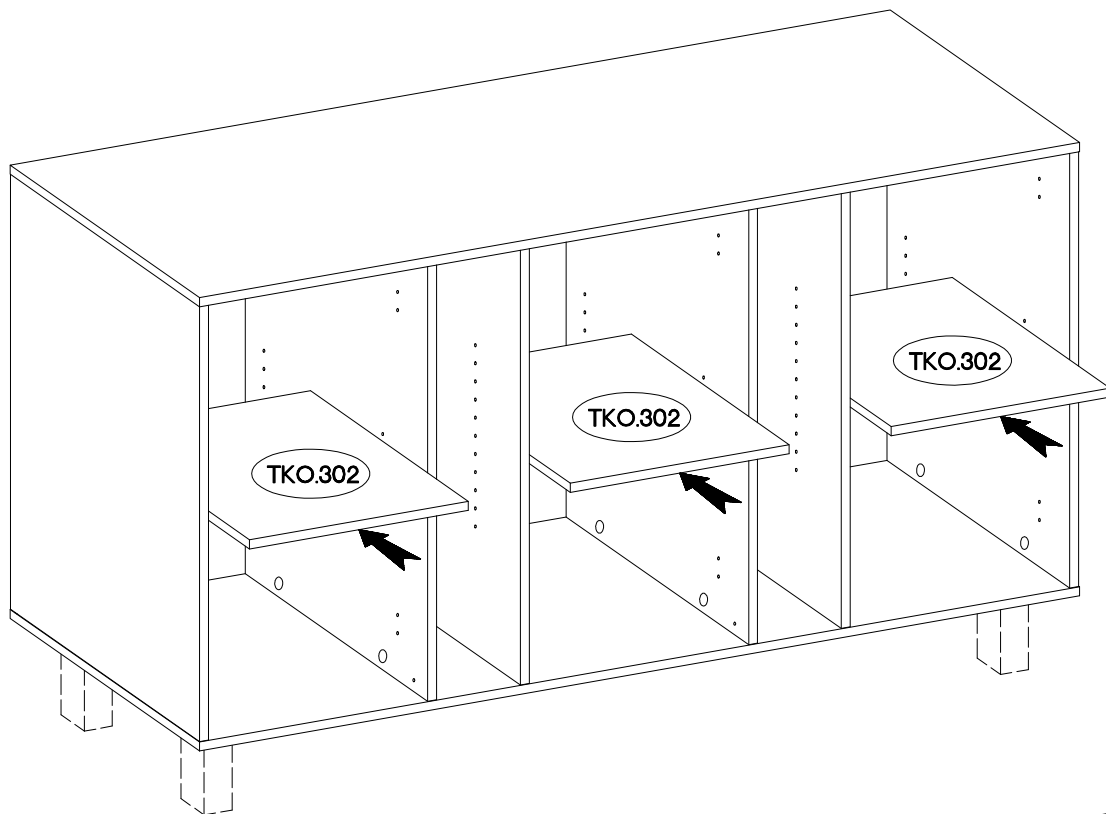
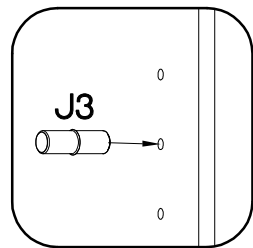




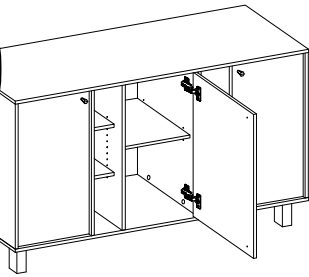
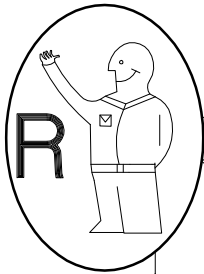
<p>+10x50mm</p> <p>O7</p> <p>1</p>	<p>+3.5x13mm</p> <p>L9</p> <p>1</p>	<p>+3.5x13mm</p> <p>P5</p> <p>1</p>
------------------------------------	-------------------------------------	-------------------------------------





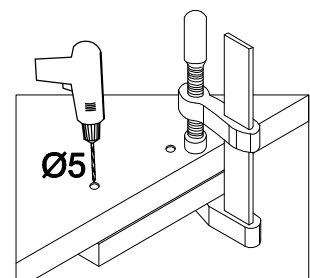
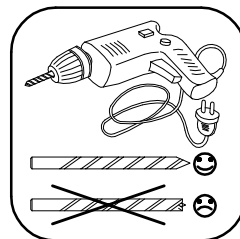
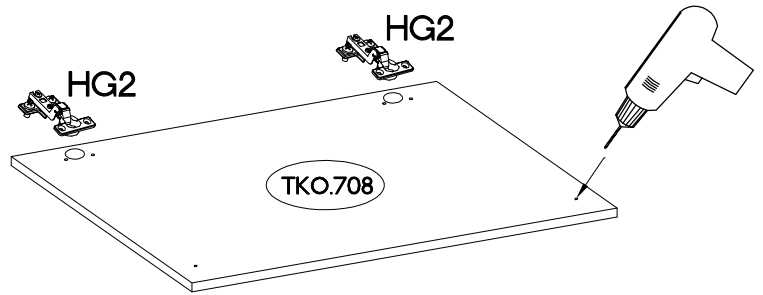
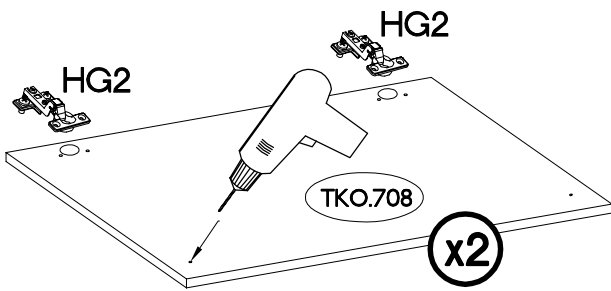
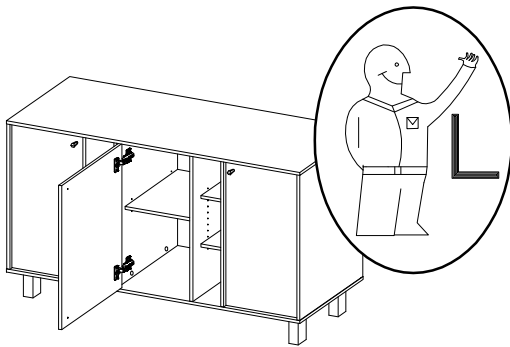
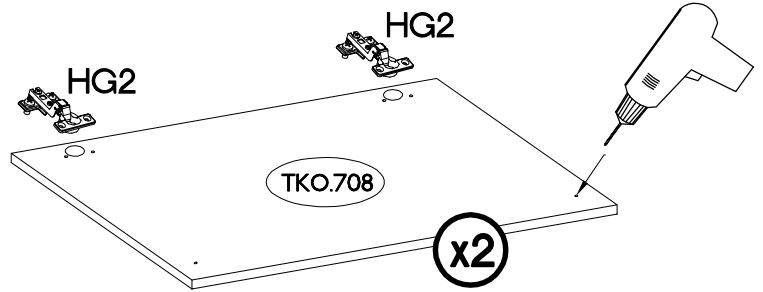
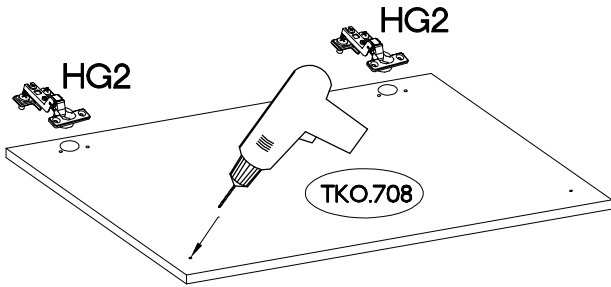
$\pm 5/16\text{mm}$  J3 28	$\pm 20$  E11 24
---	---

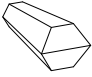

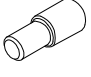


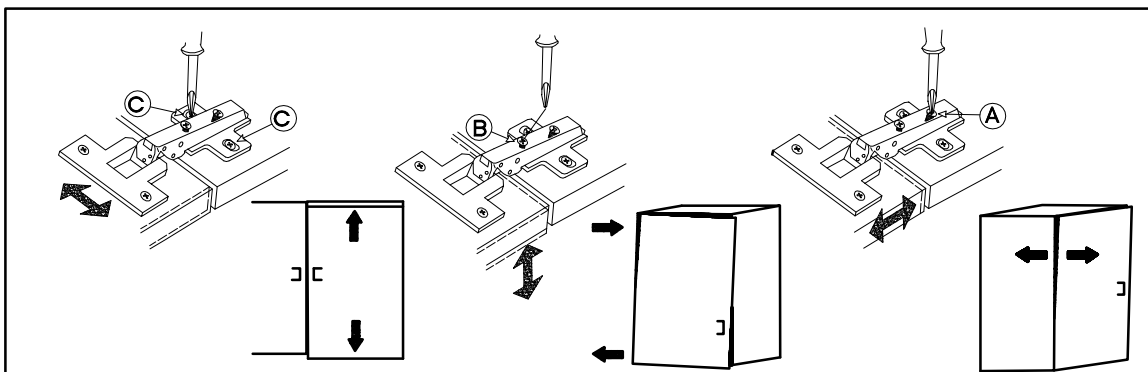
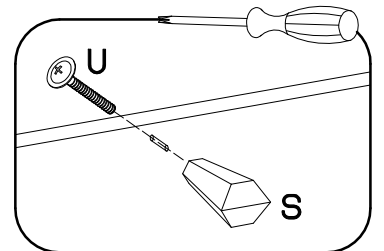
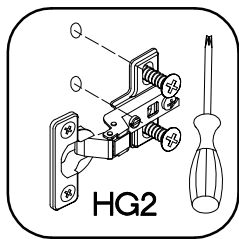
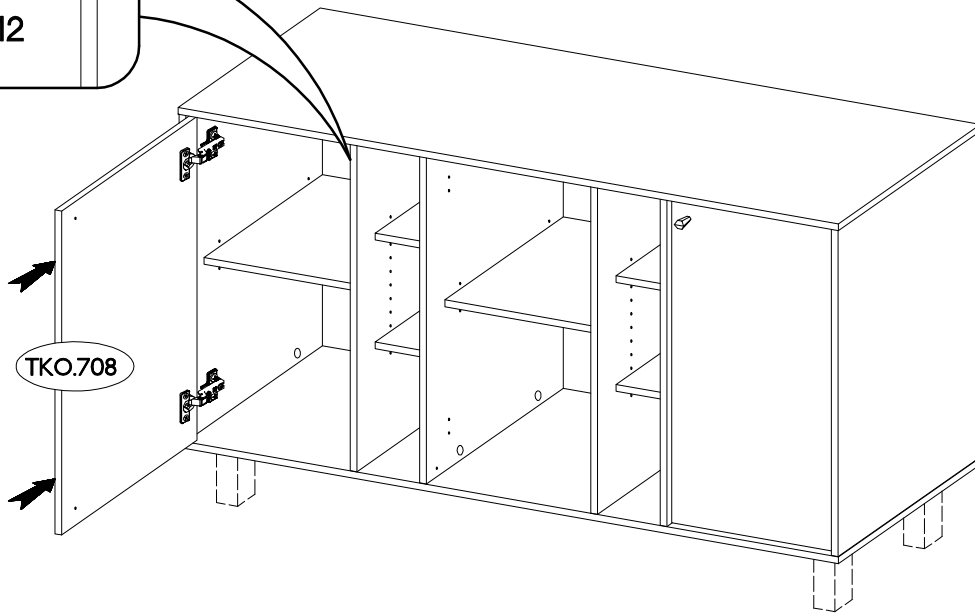
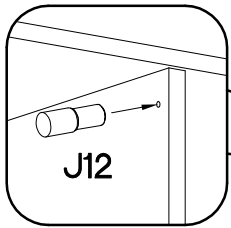
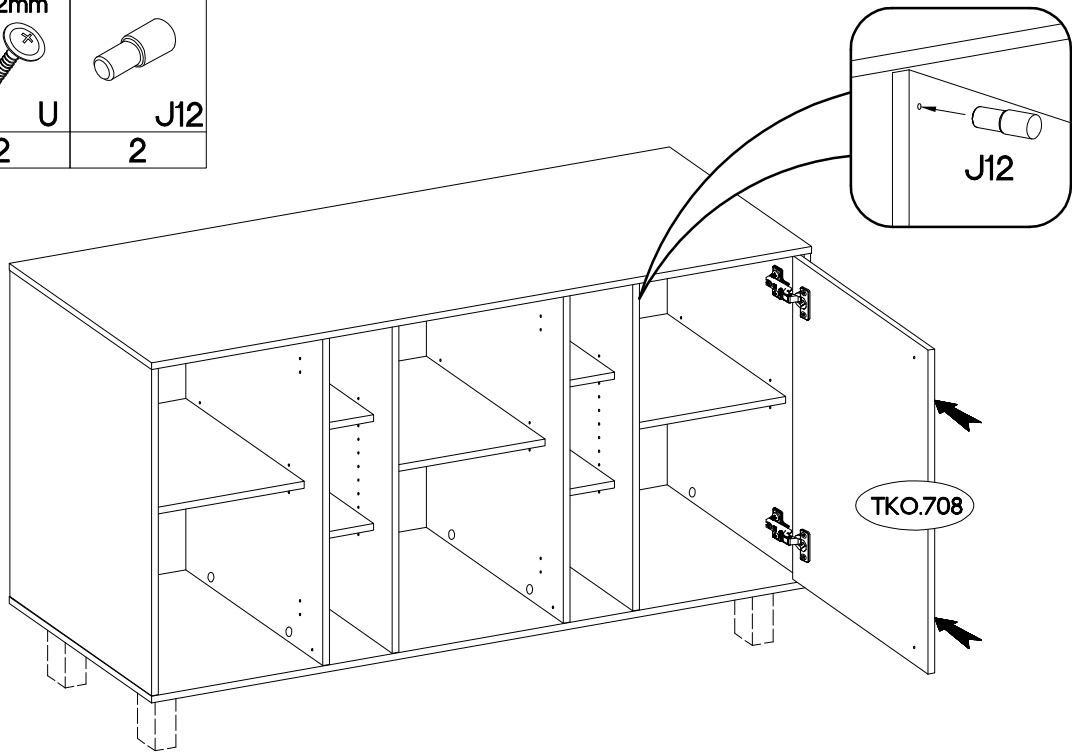




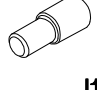


 $\pm 35/16\text{mm}$	 $\pm 3.5 \times 13\text{mm}$
HG2	P5
6	12



	<b>M4x22mm</b> 	
<b>S</b>	<b>U</b>	<b>J12</b>
2	2	2



		
S	U	J12
1	1	1

