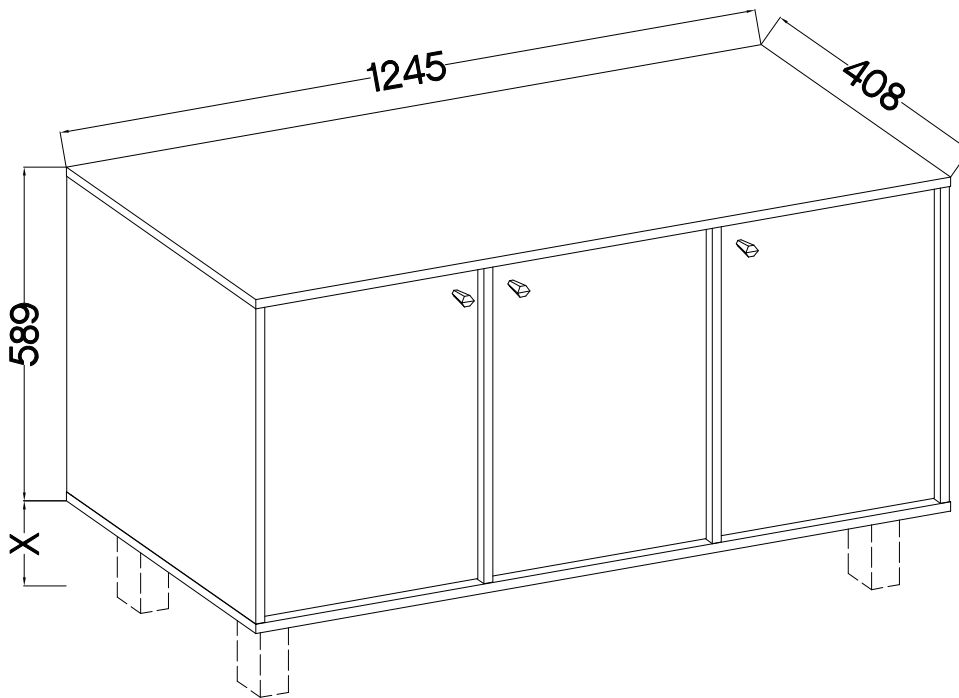
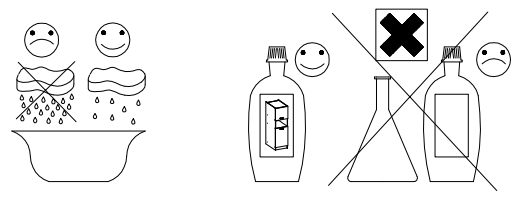
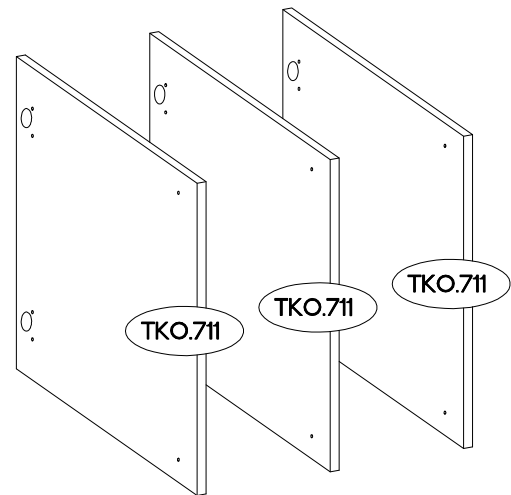
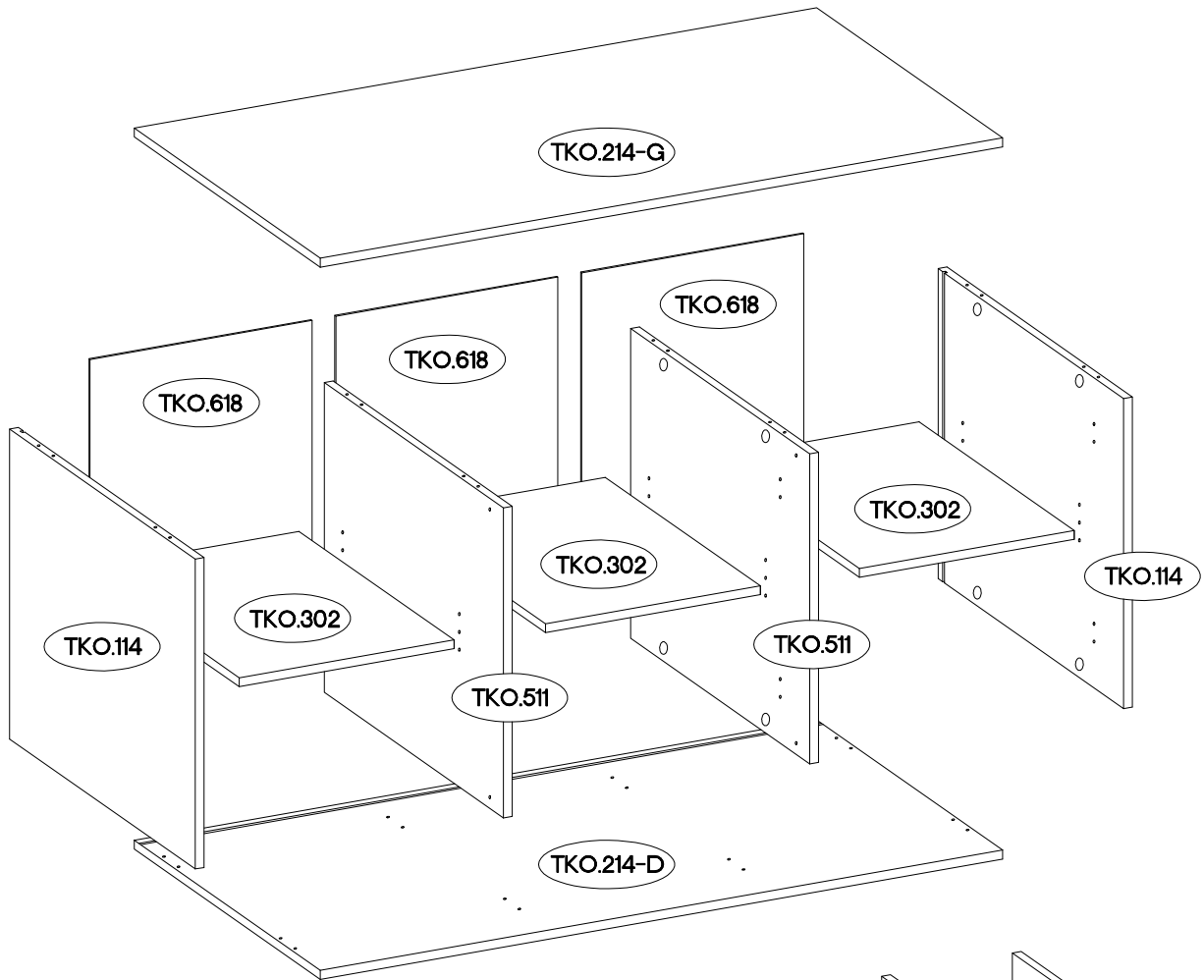


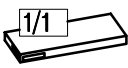
TYP 813



 <b>A</b> 16	 <b>C</b> 16	 <b>D2</b> 16	 <b>E11</b> 16										
 <b>HG2</b> 6	 <b>J3</b> 12	 <b>J12</b> 3	 <b>L</b> 16	 <b>L2</b> 10	 <b>L9</b> 1	 <b>O7</b> 1	 <b>P5</b> 13	 <b>P7</b> 10	 <b>S</b> 3	 <b>U</b> 3			

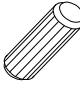

ISM-TKO-013

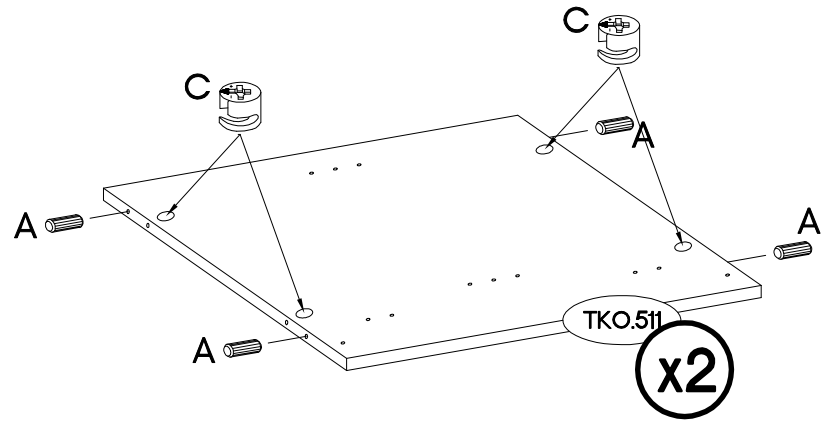
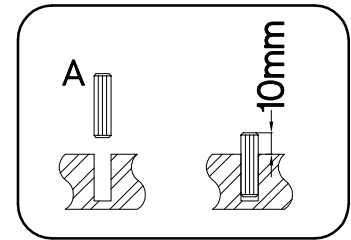
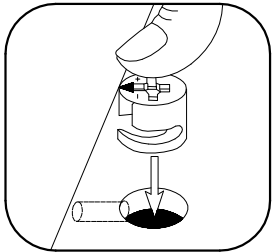
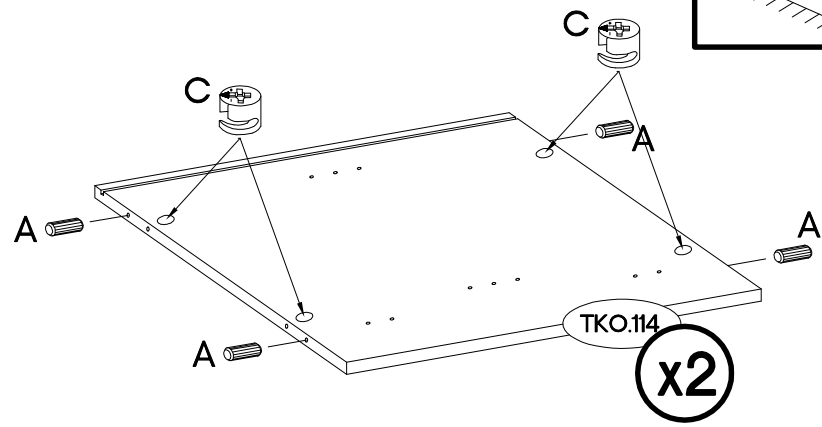
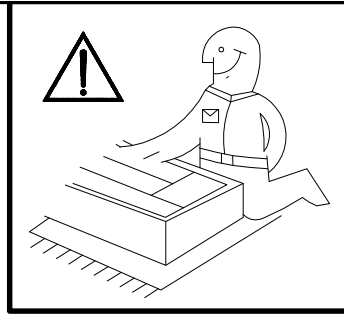


	Ersatzteil Nummer	Dimension
	TKO.114 x2	557x407x16
	TKO.511 x2	557x393x16
	TKO.214 x2	1245x408x16
	TKO.302 x3	392x340x16
	TKO.618 x3	566x405x2,5
	TKO.711 x3	551x389x16




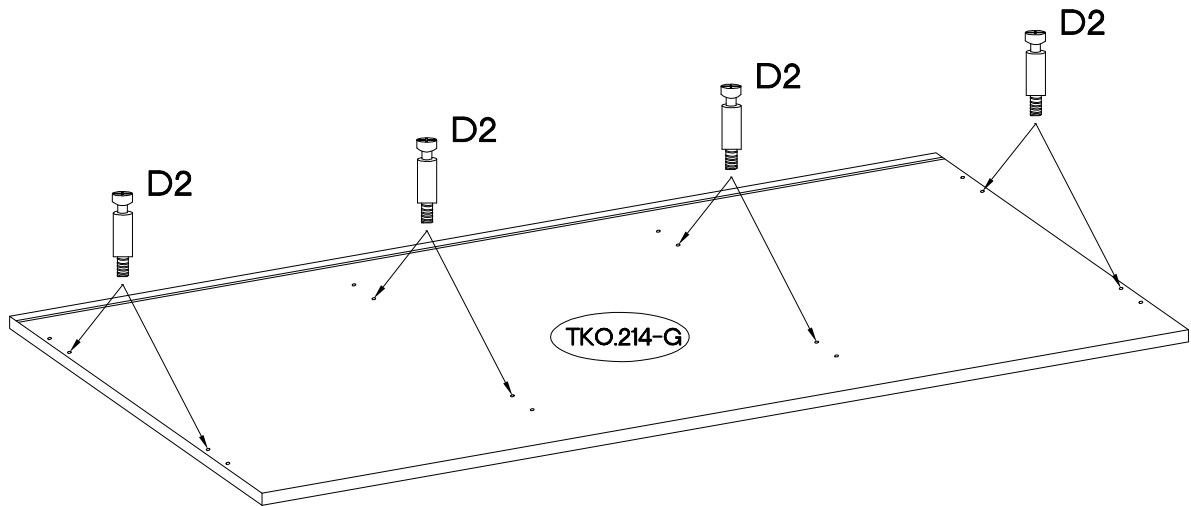
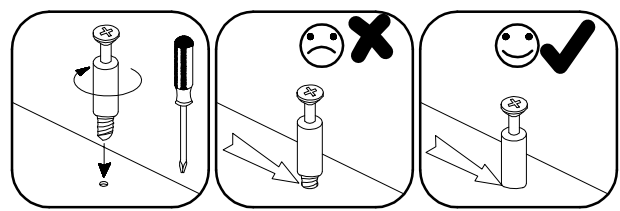
1

±8x30mm  A 16	±15/12mm  C 16
--	---

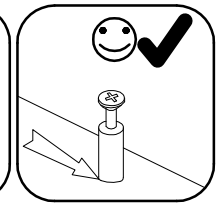
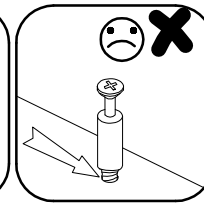
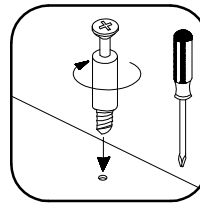
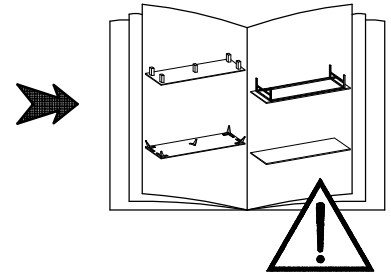
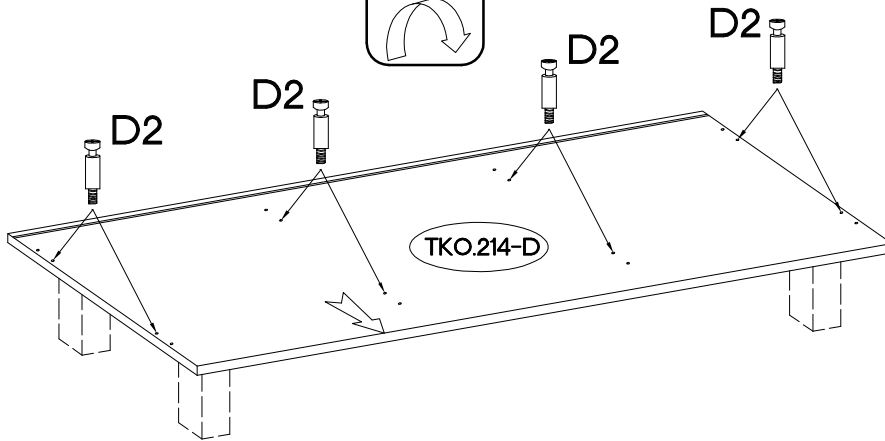
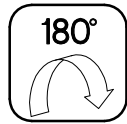
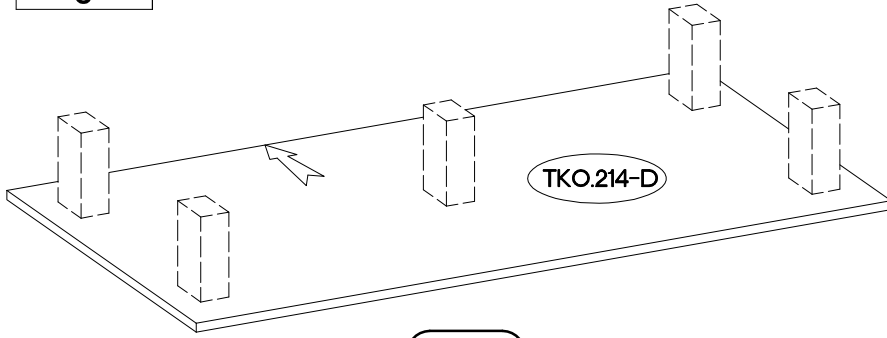
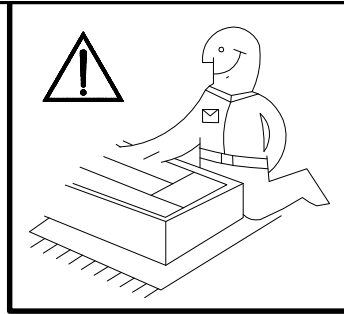
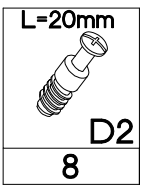


2

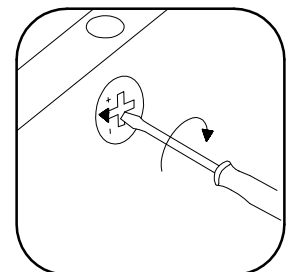
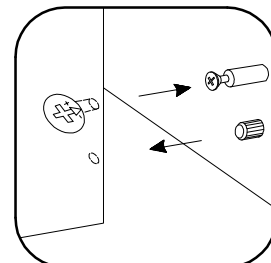
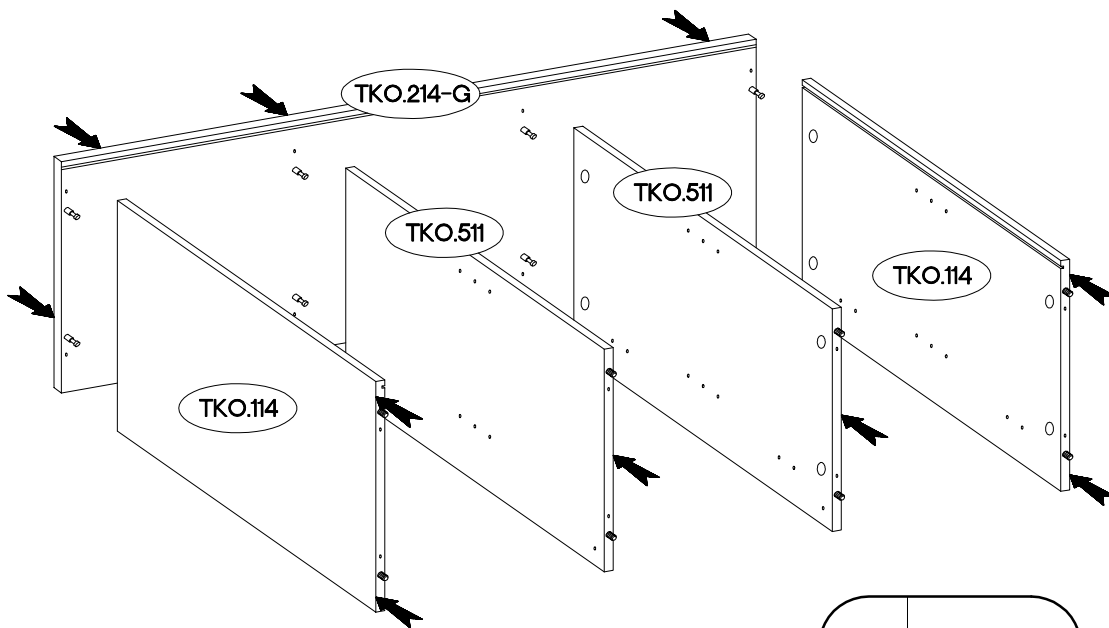
L=20mm  D2 8
--




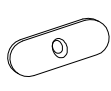
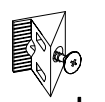
3

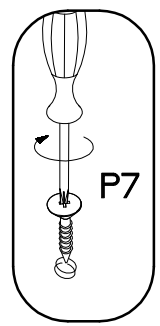
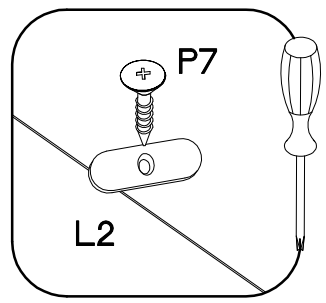
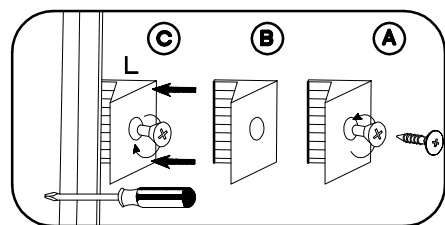
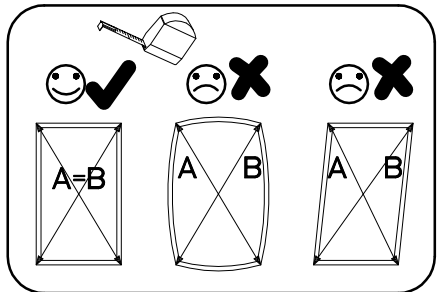
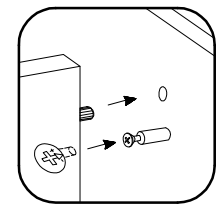
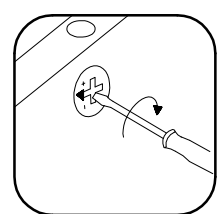
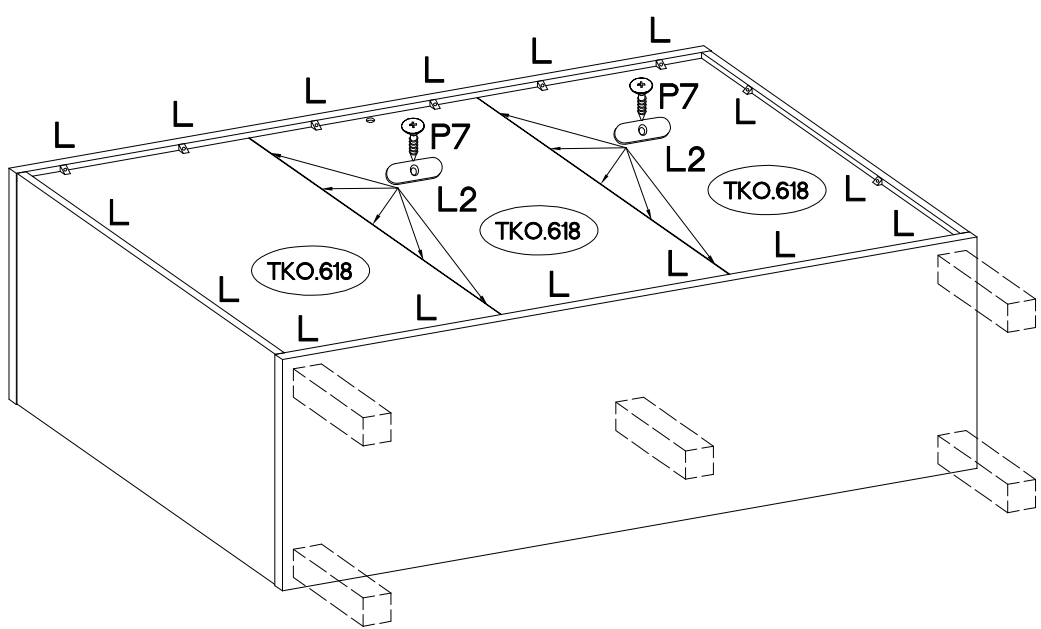
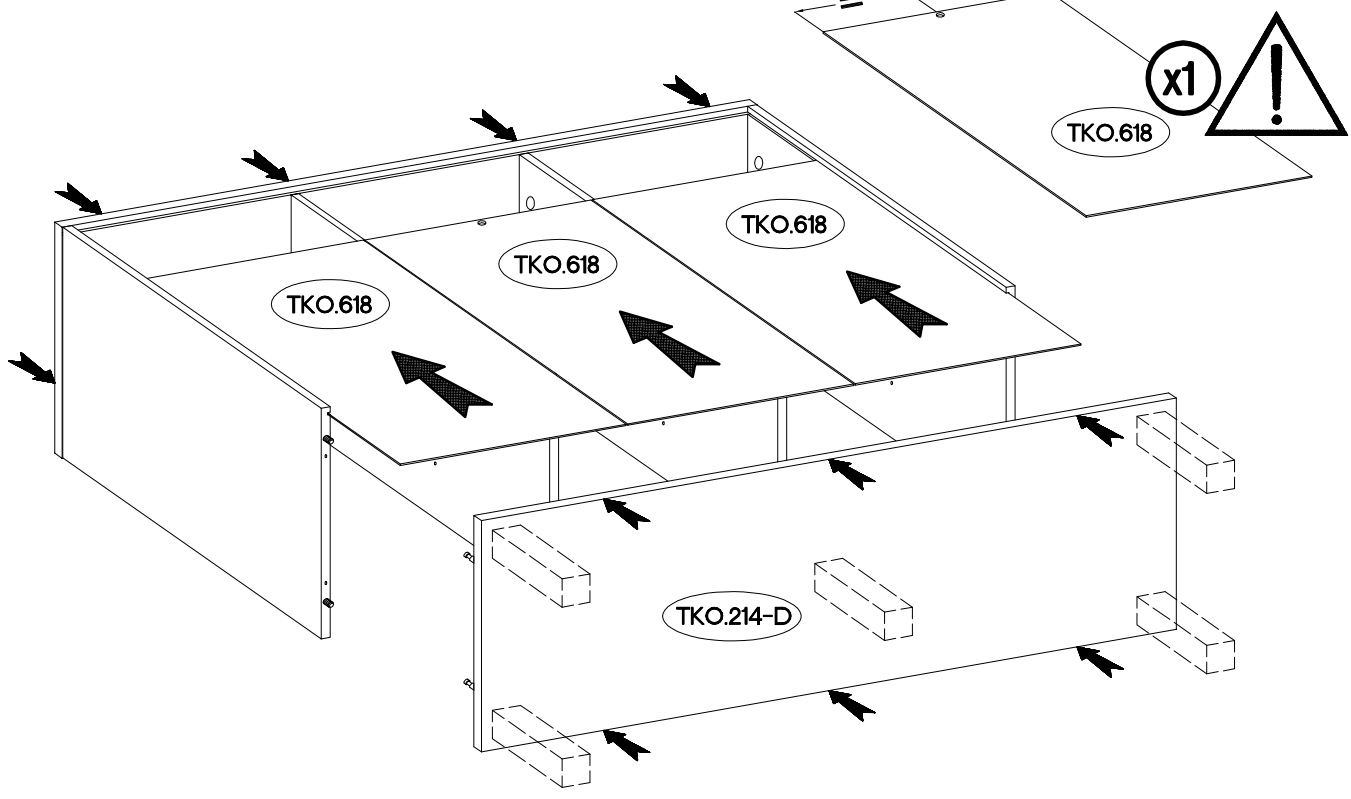
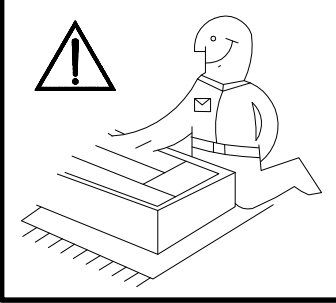





4

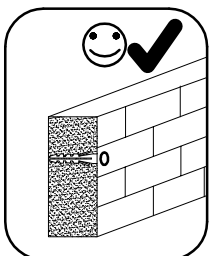
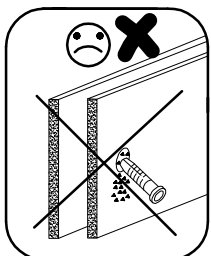
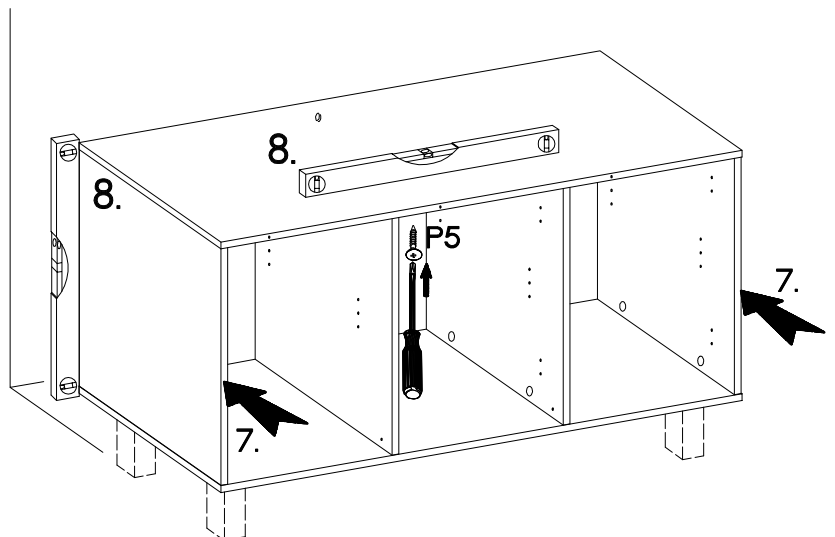
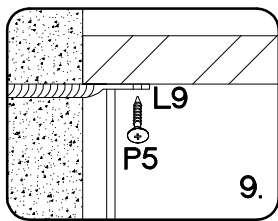
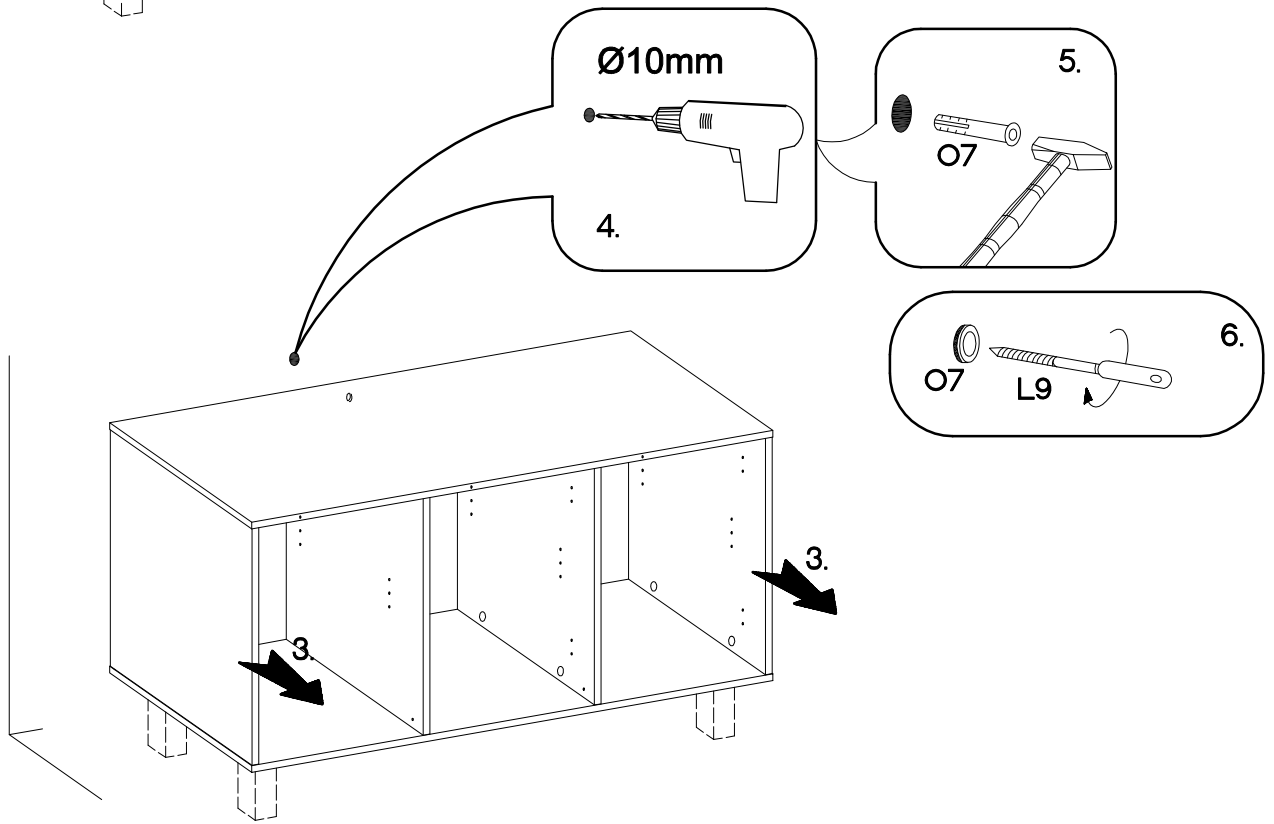
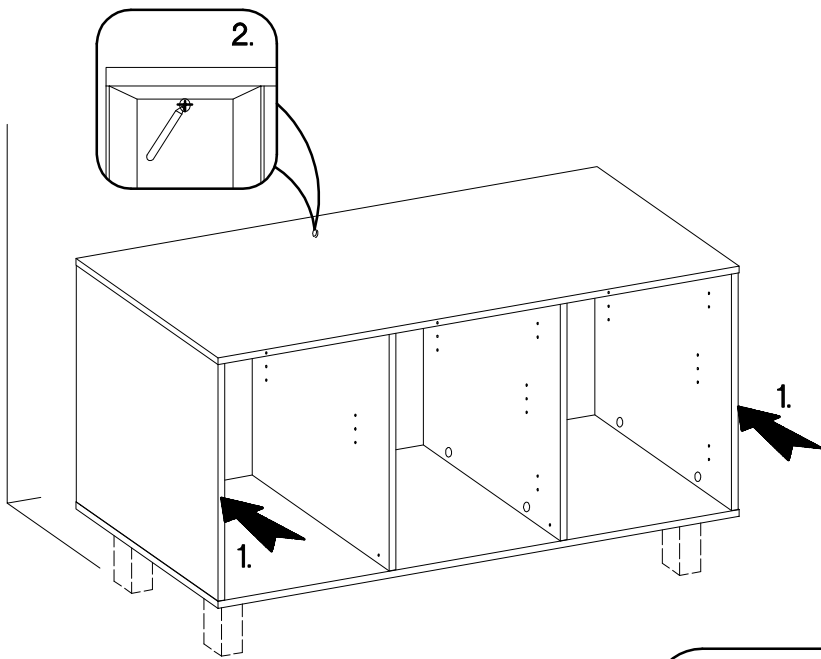


# 5

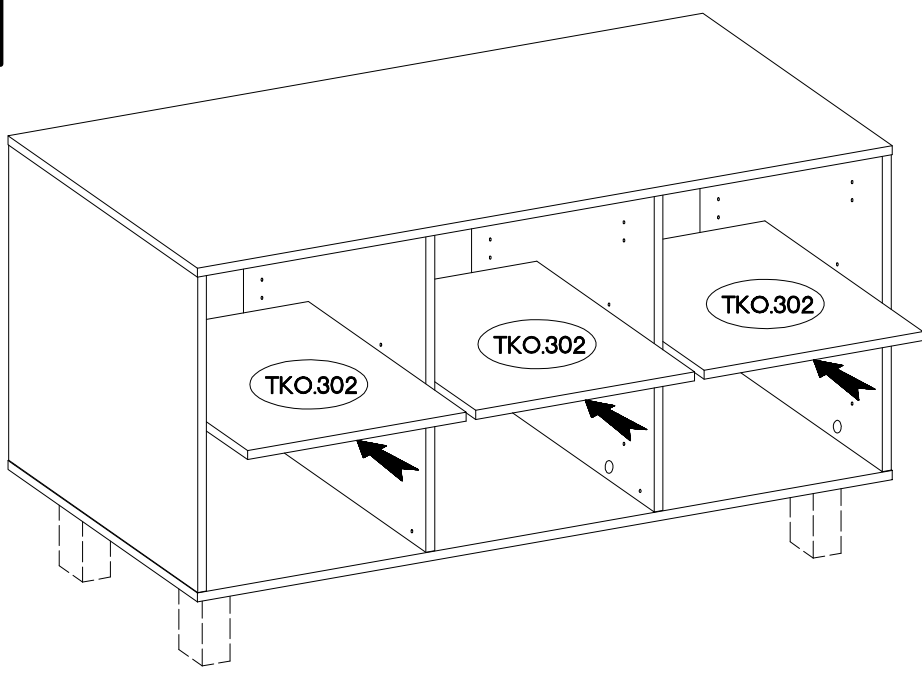
$\varnothing 3.0 \times 20 \text{mm}$  P7 10	 L2 10	 L 16
---	--	---



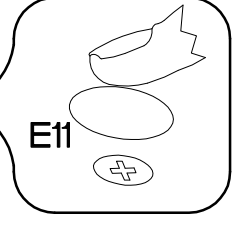
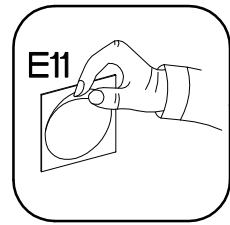
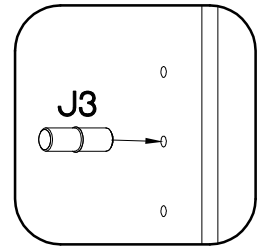
$\pm 10 \times 50 \text{mm}$ 		$\pm 3.5 \times 13 \text{mm}$ 
O7	L9	P5
1	1	1



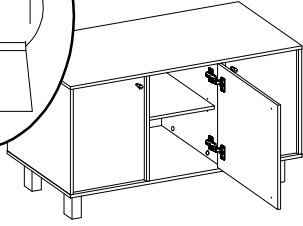
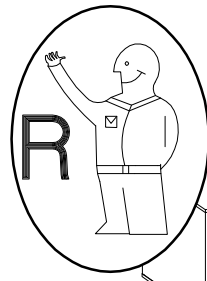
7



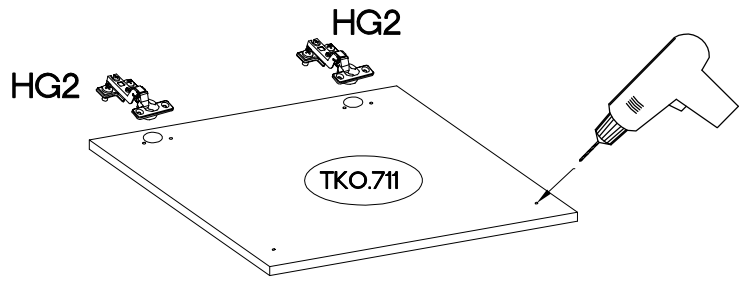
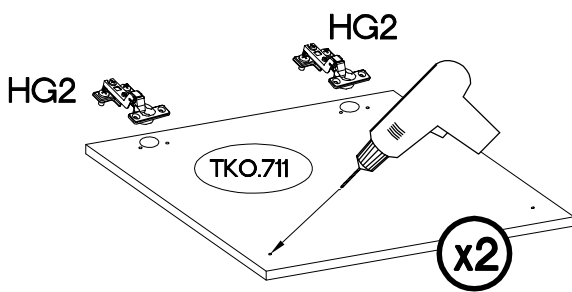
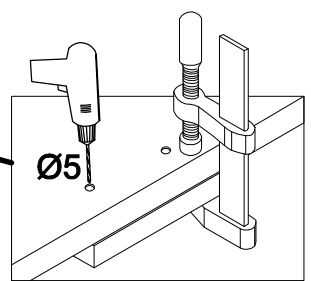
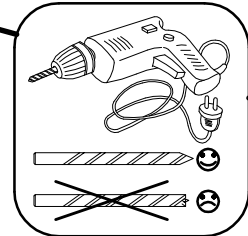
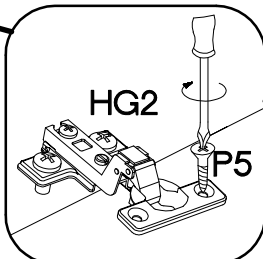
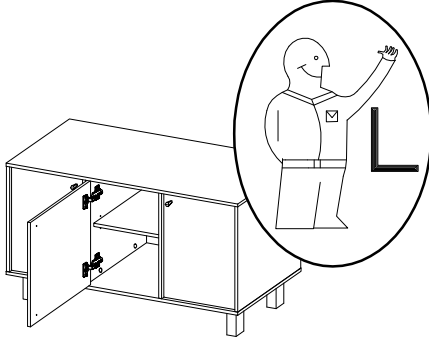
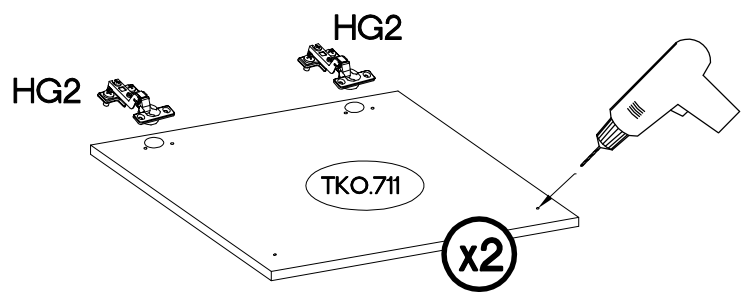
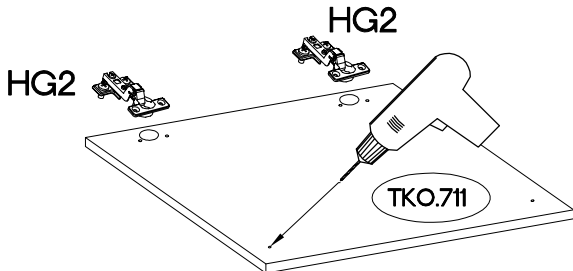
±5/16mm	±20
J3	E11
12	16

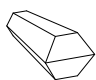

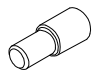


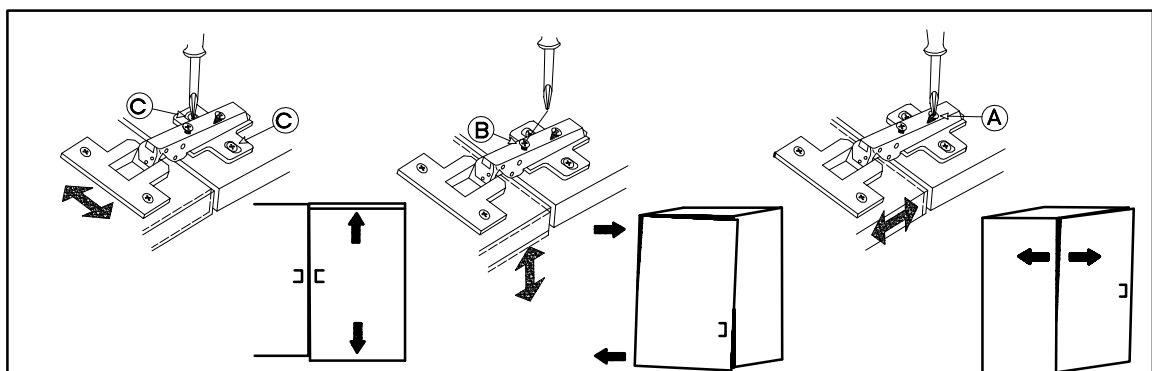
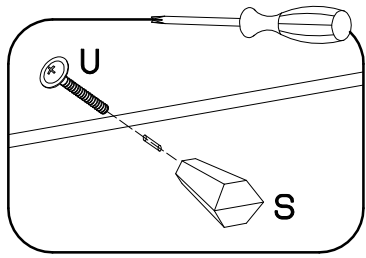
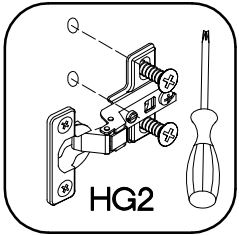
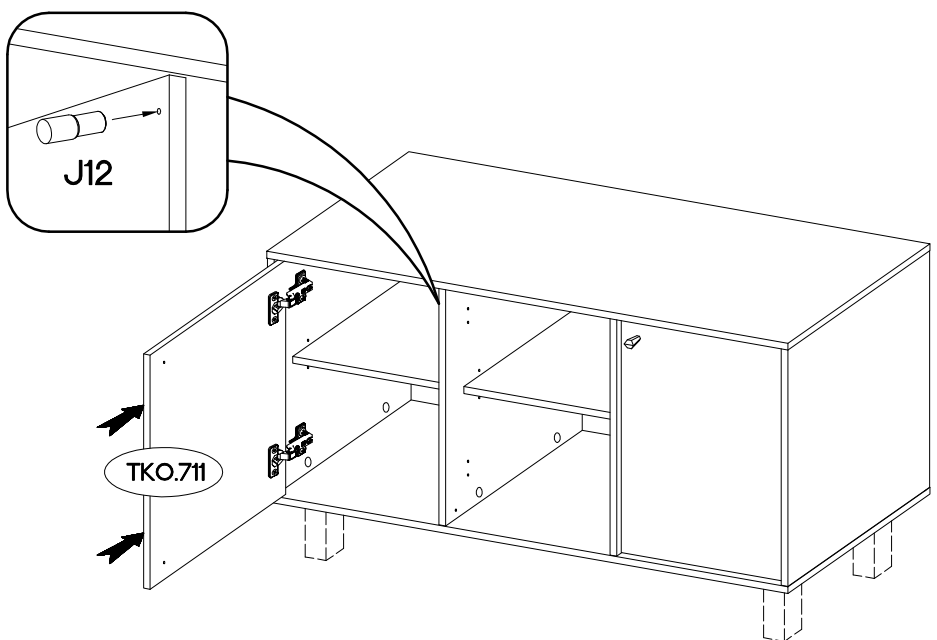
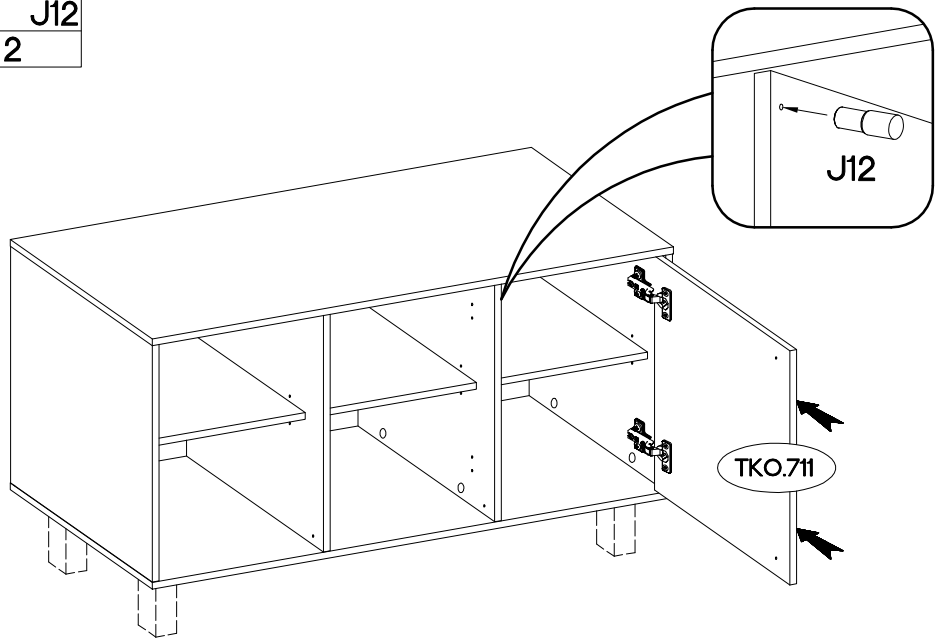
8





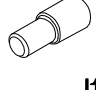
±35/16mm	±3.5x13mm
HG2	P5
6	12



 S	 M4x22mm U	 J12
2	2	2





 S	 M4x22mm U	 J12
1	1	1

