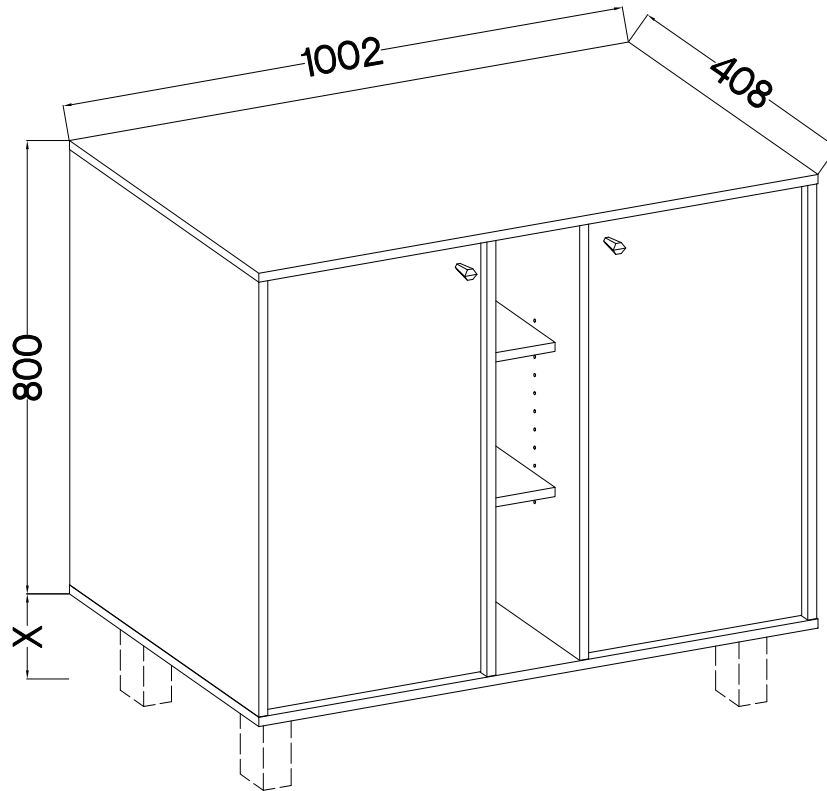
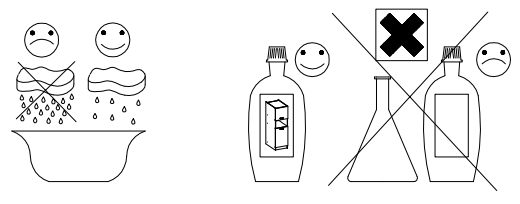
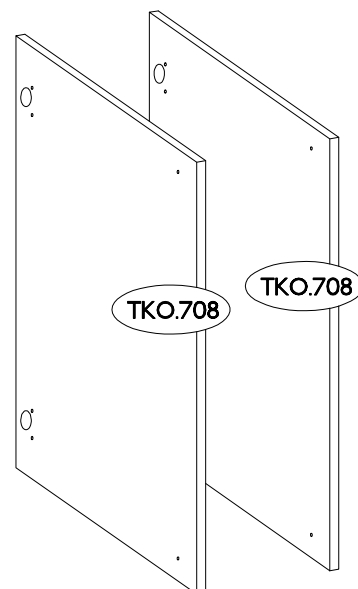
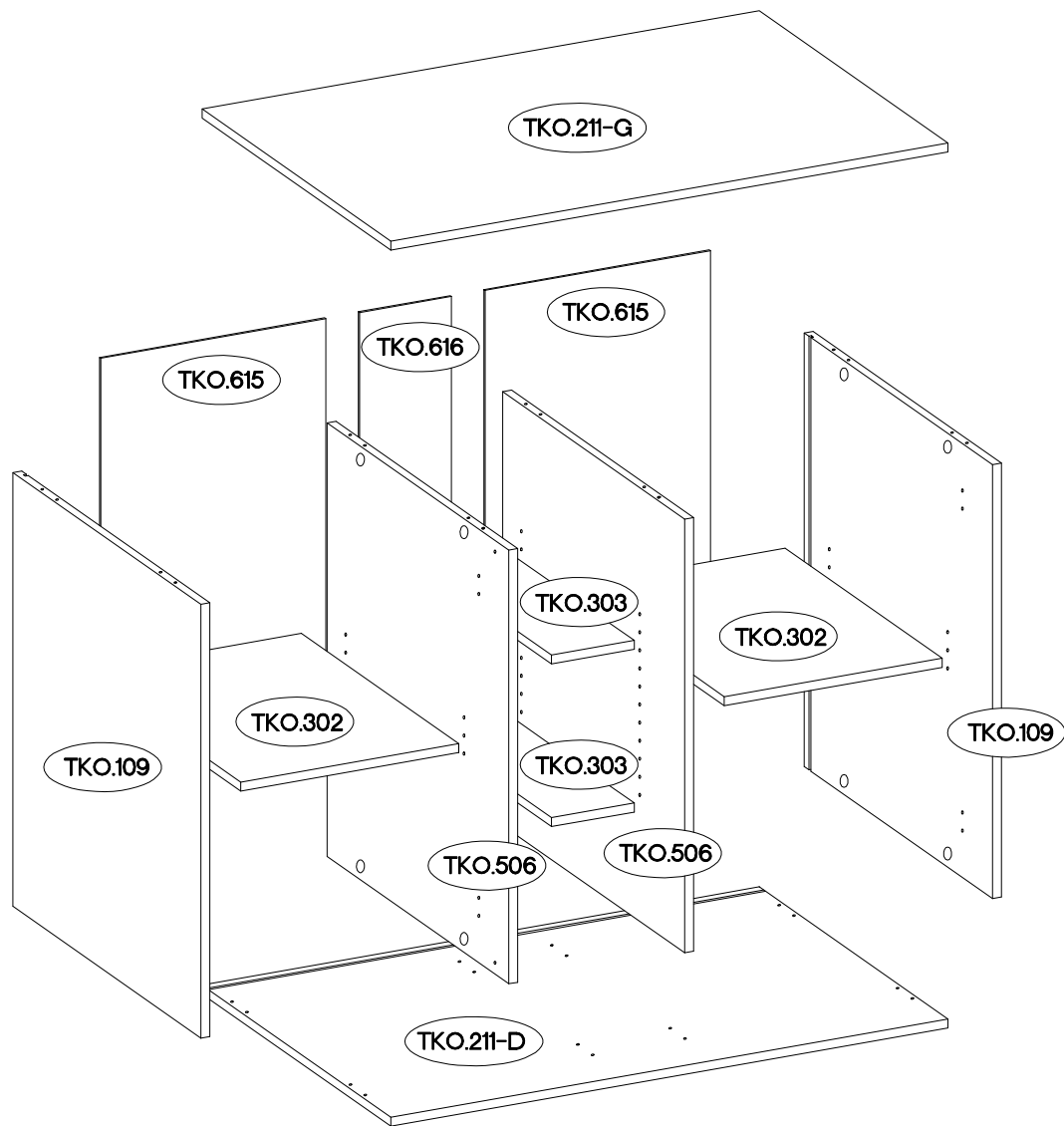


TYP 822

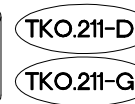


 <b>†8x30mm</b> <b>A</b> 16	 <b>†15/12mm</b> <b>C</b> 16	 <b>L=20mm</b> <b>D2</b> 16	 <b>†20</b> <b>E11</b> 16							
 <b>†35/16mm</b> <b>HG2</b> 4	 <b>†5/16mm</b> <b>J3</b> 16	 <b>J12</b> 2	 <b>L2</b> 14	 <b>L</b> 14	 <b>L9</b> 1	 <b>†10x50mm</b> <b>O7</b> 1	 <b>†3.5x13mm</b> <b>P5</b> 9	 <b>†3.0x20mm</b> <b>P7</b> 14	 <b>S</b> 2	 <b>M4x22mm</b> <b>U</b> 2

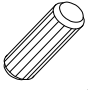

ISM-TKO-008

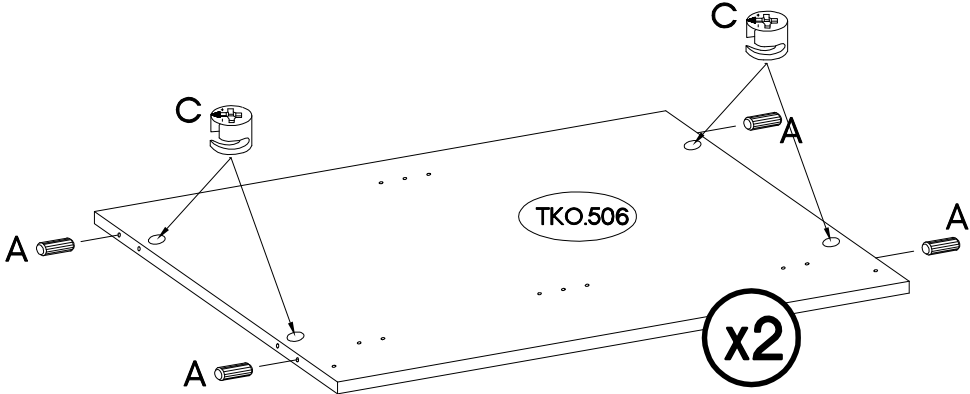
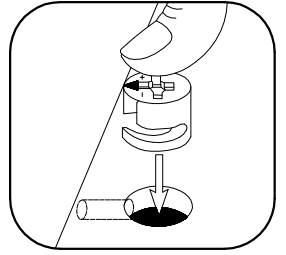
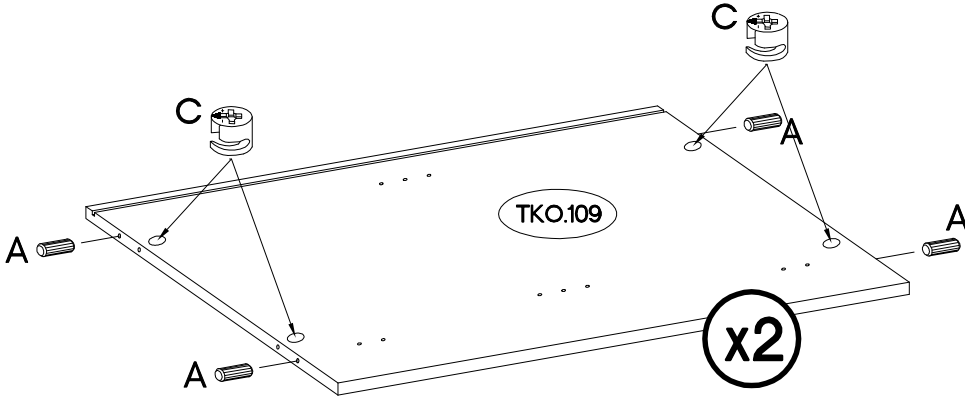
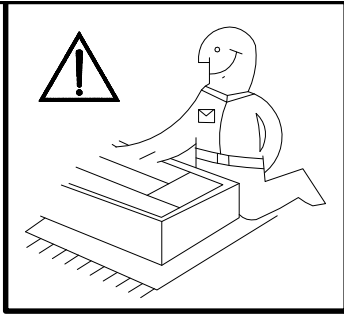
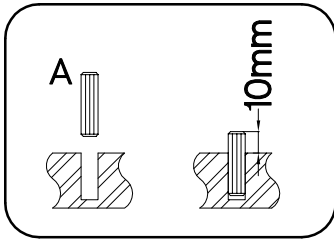


	Ersatzteil Nummer	Dimension
	TKO.109 x2	768x407x16
	TKO.506 x2	768x393x16
	TKO.211 x2	1002x408x16
	TKO.302 x2	392x340x16
	TKO.303 x2	149x340x16
	TKO.615 x2	777x405x2,5
	TKO.616	777x165x2,5
	TKO.708 x2	762x389x16




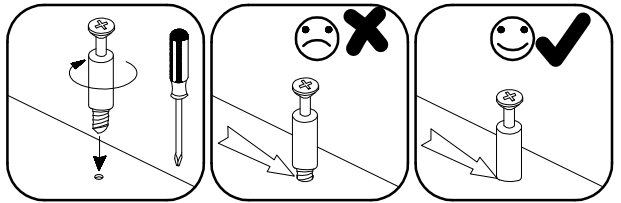
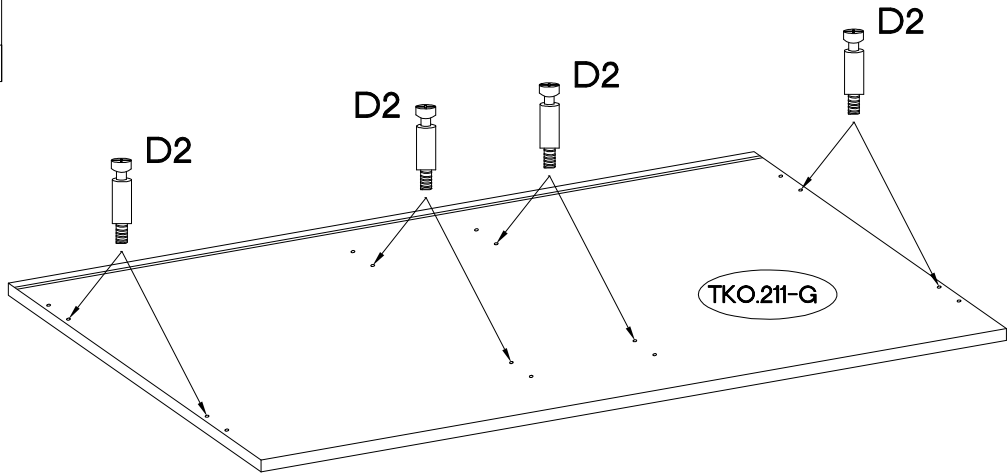
1

±8x30mm  A 16	±15/12mm  C 16
--	---

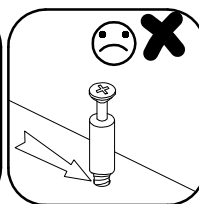
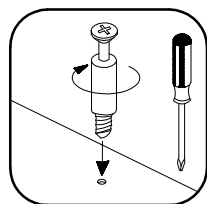
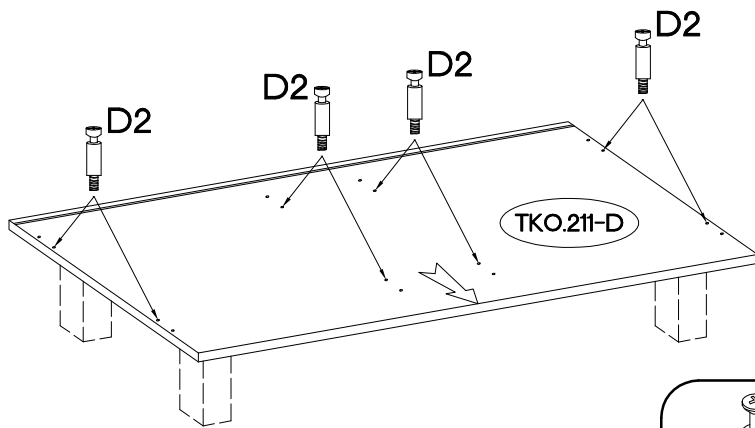
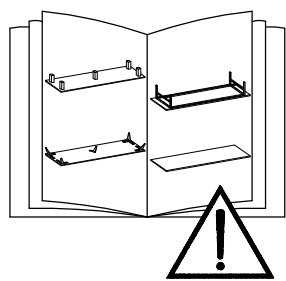
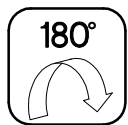
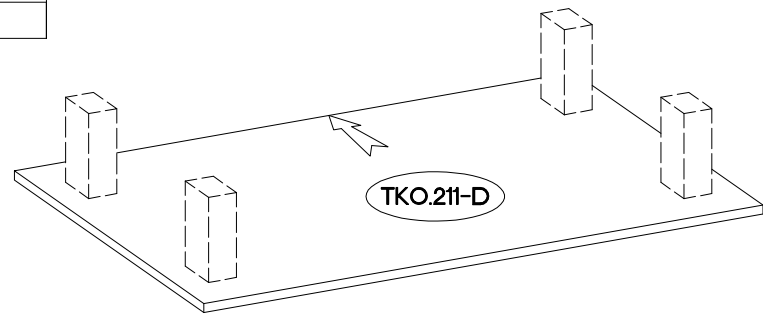
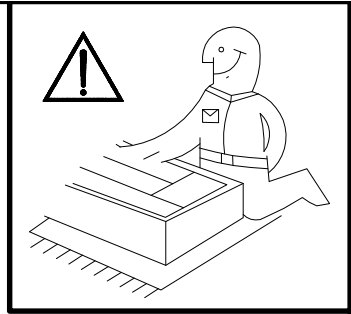
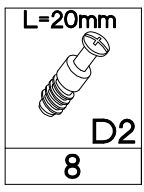


2

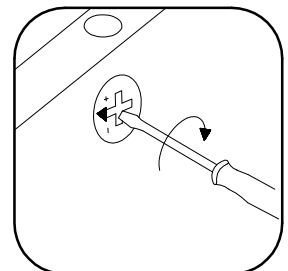
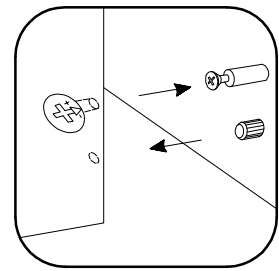
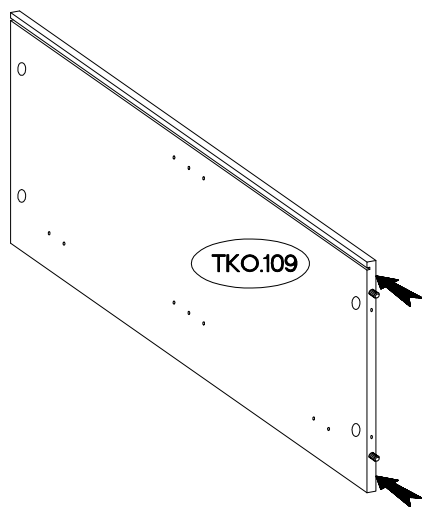
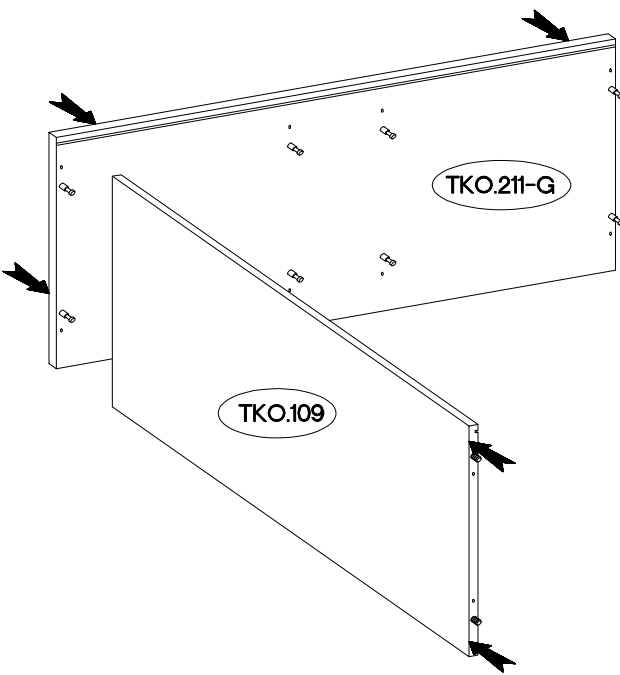
L=20mm  D2 8
--



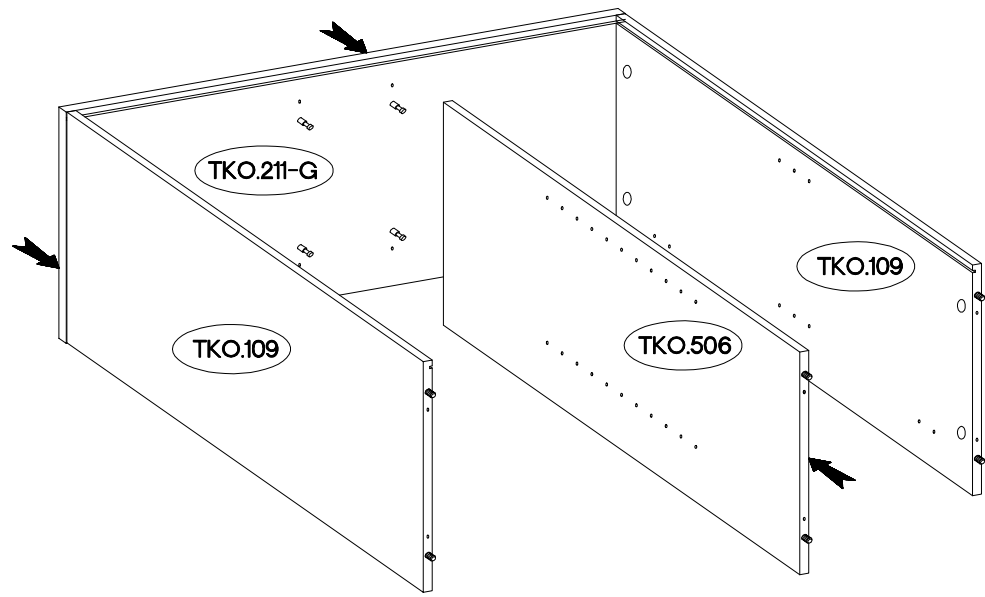
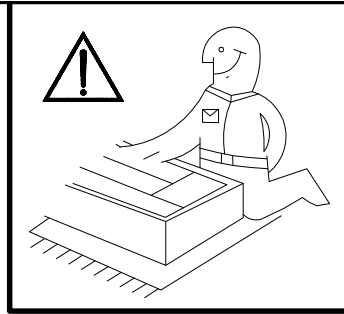
3



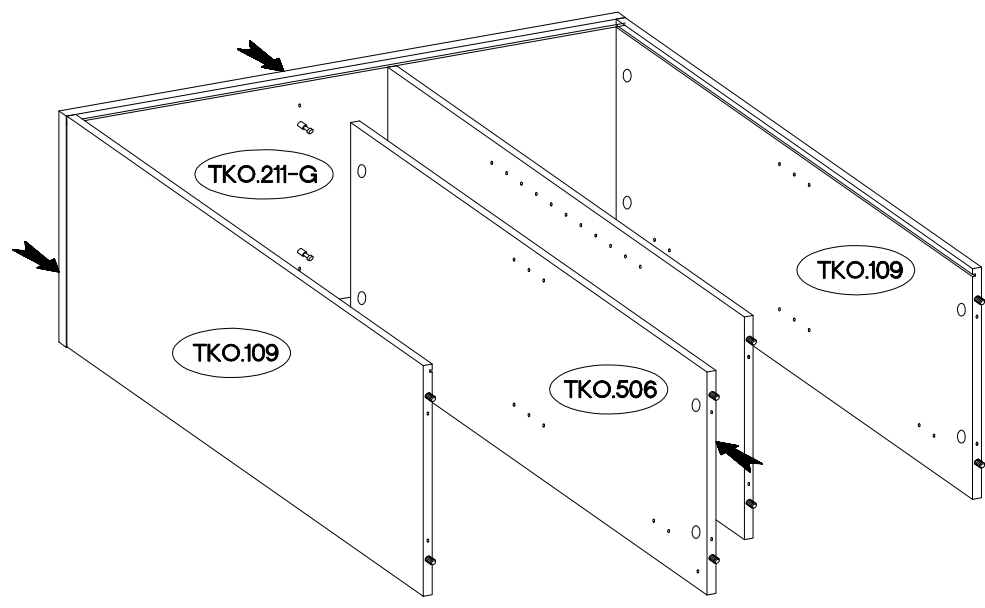
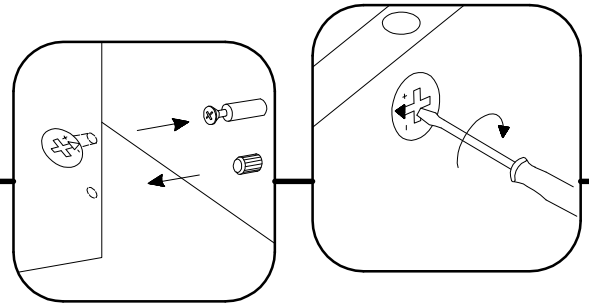
4



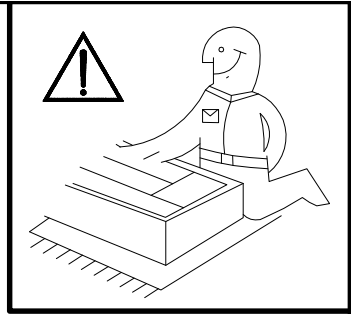
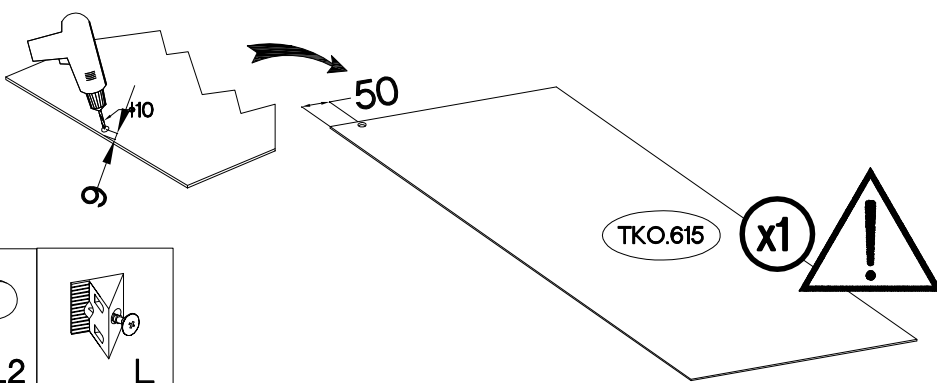
5



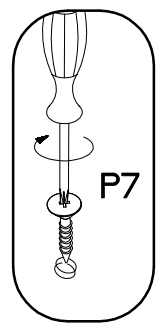
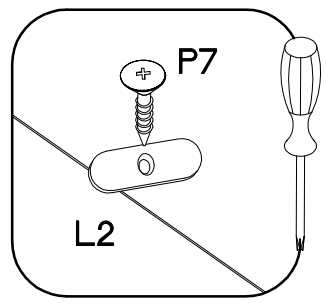
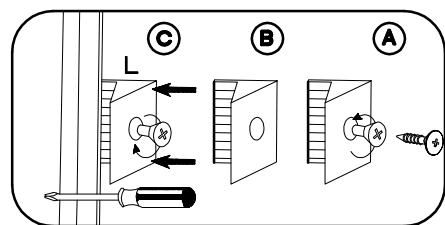
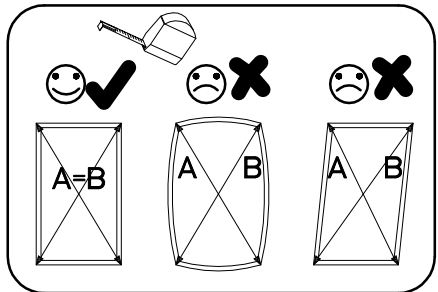
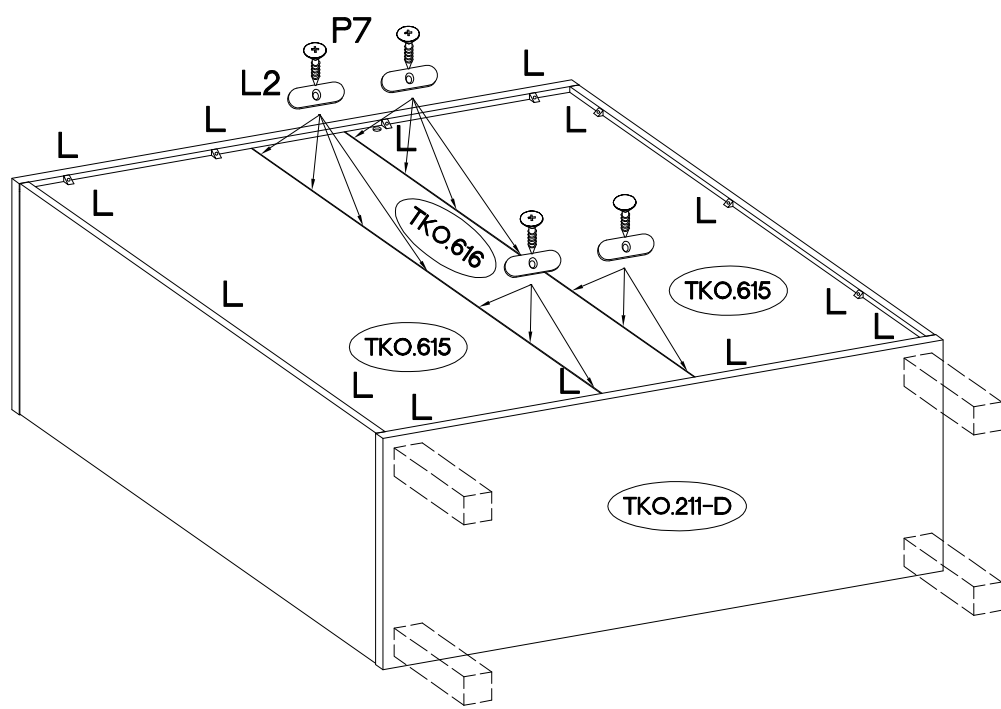
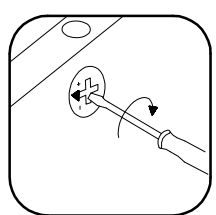
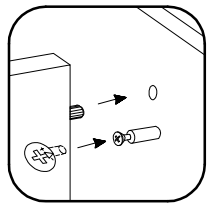
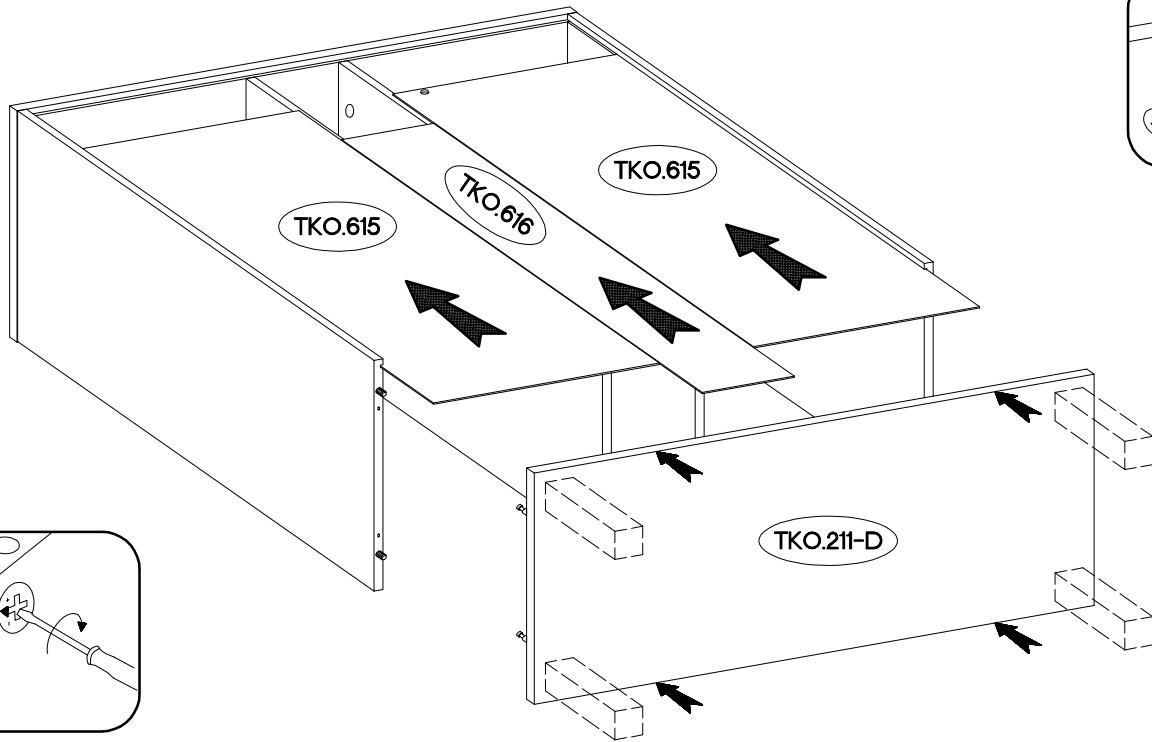
6

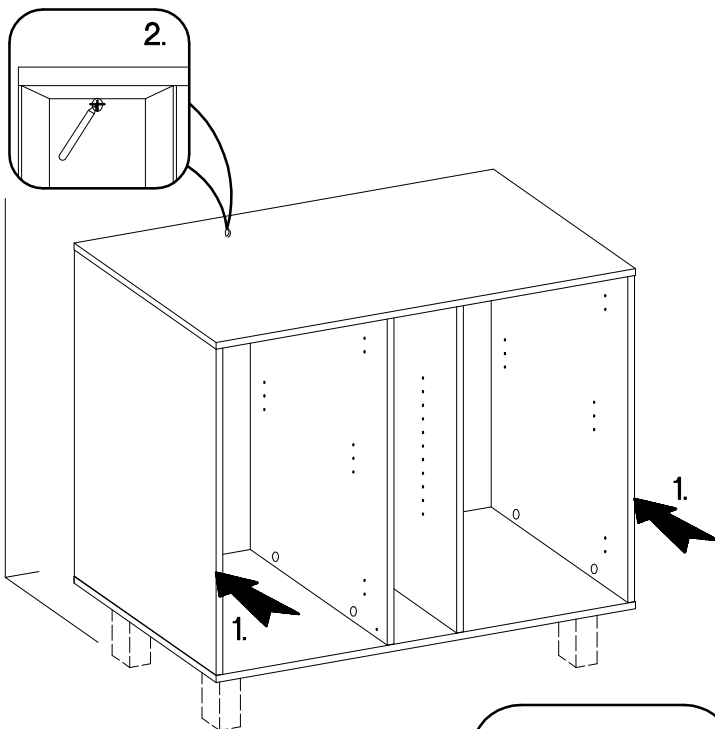


7

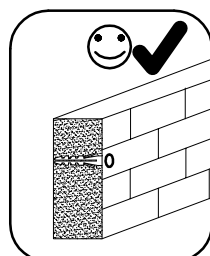
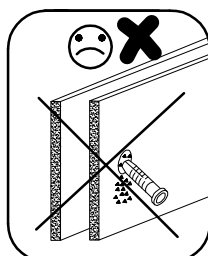
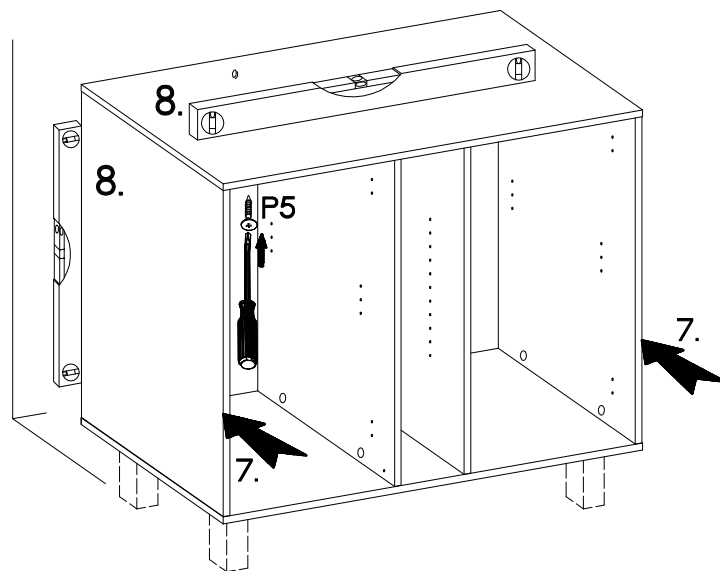
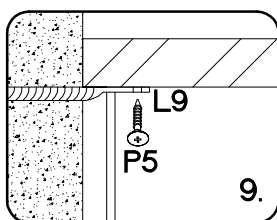
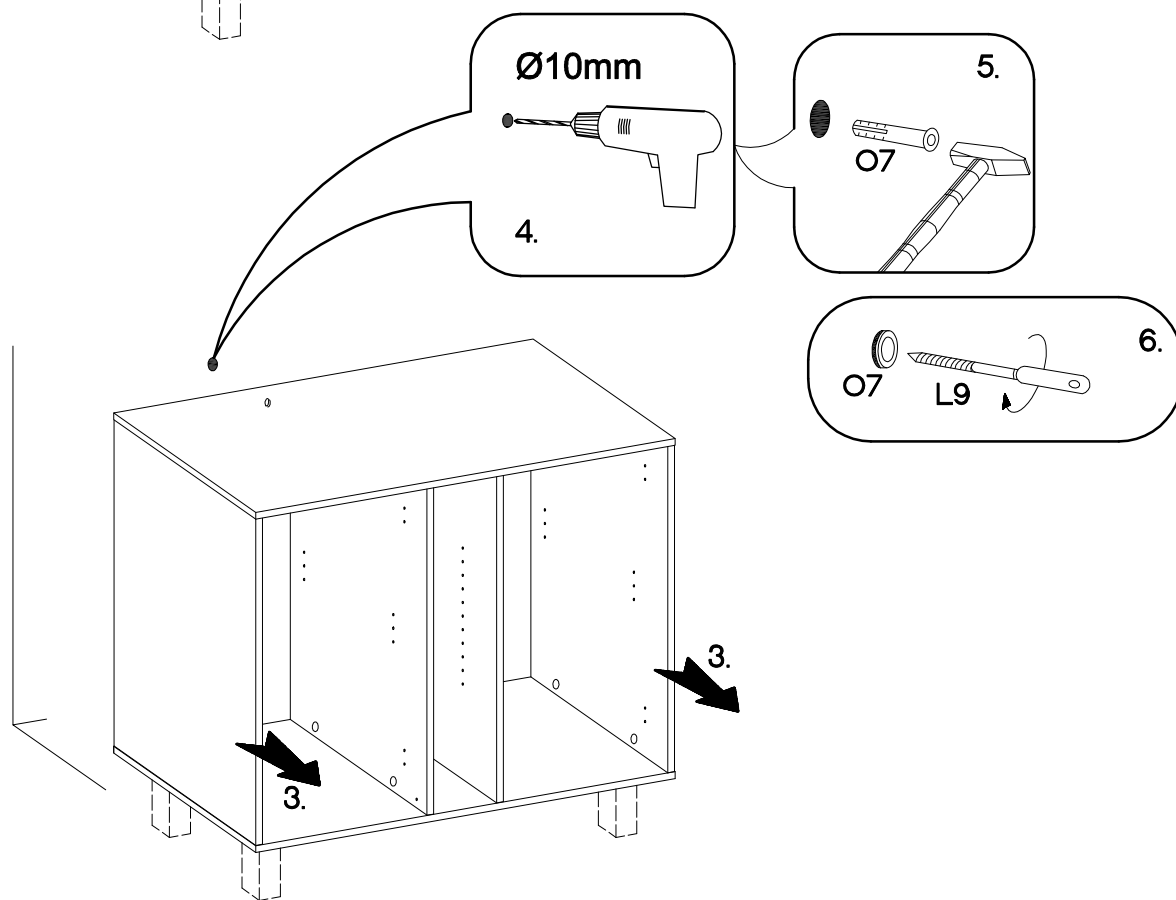


 P7 14	 L2 14	 L 14
--------------	--------------	-------------

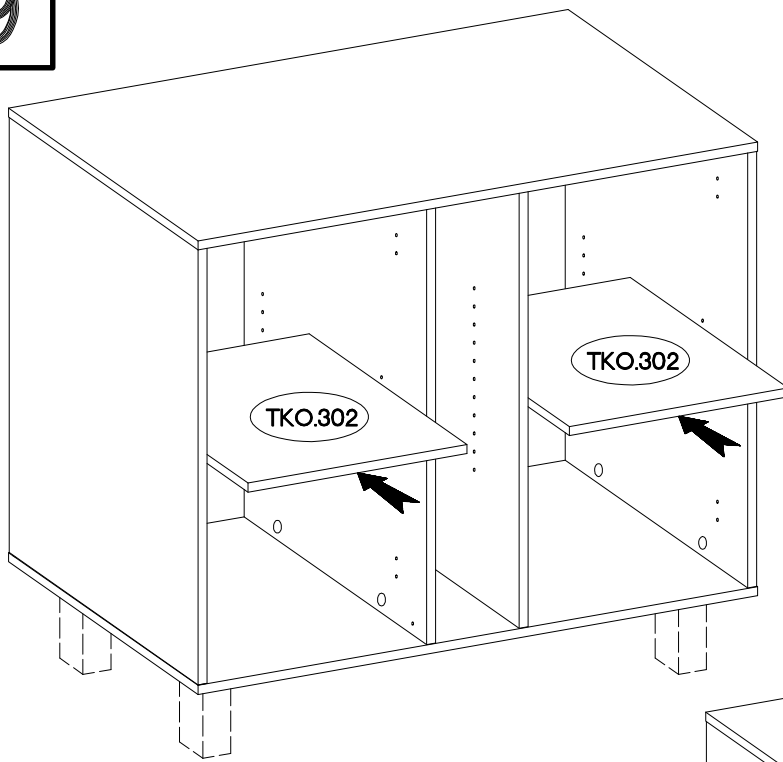


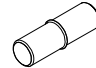
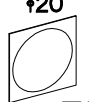


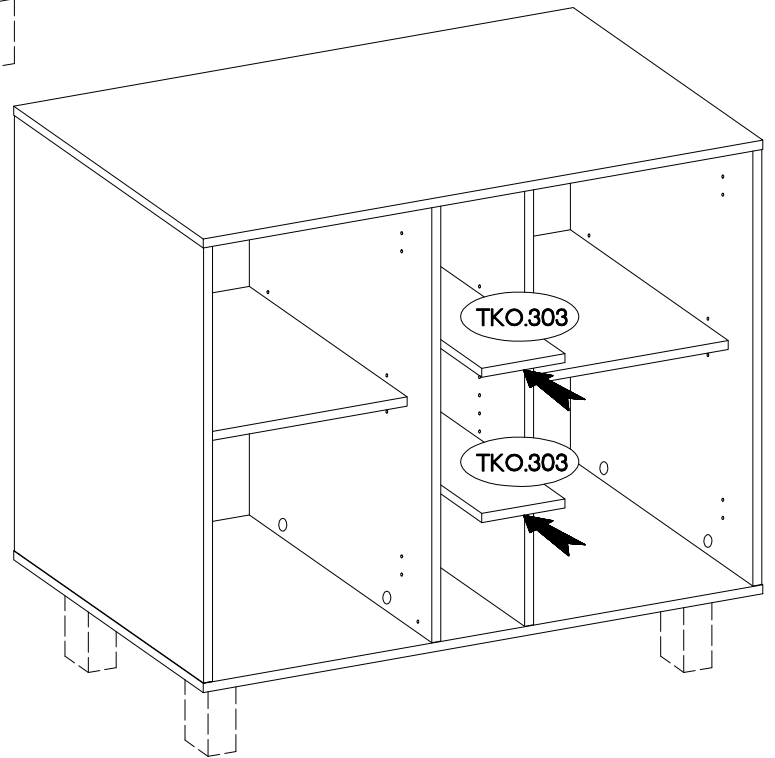
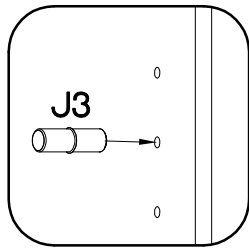
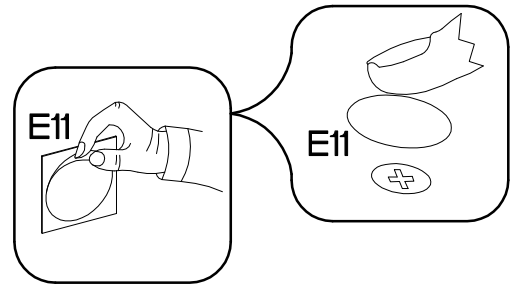
<p>±10x50mm</p> <p>O7</p> <p>1</p>	<p>L9</p> <p>L9</p> <p>1</p>	<p>±3.5x13mm</p> <p>P5</p> <p>1</p>
------------------------------------	------------------------------	-------------------------------------





9

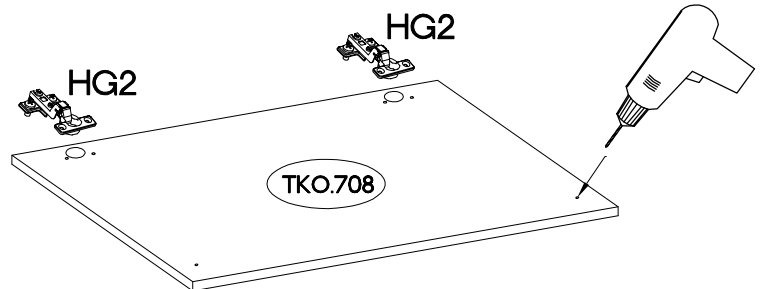
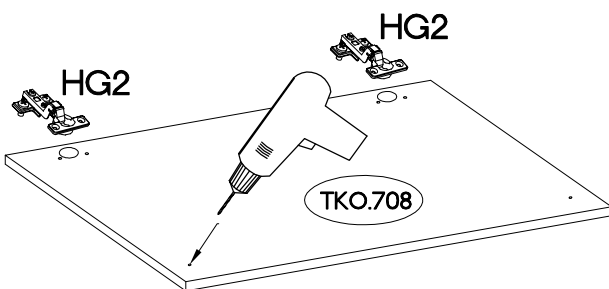
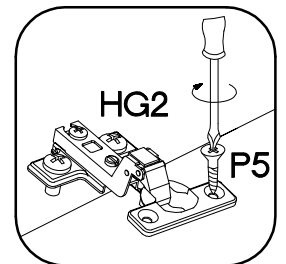
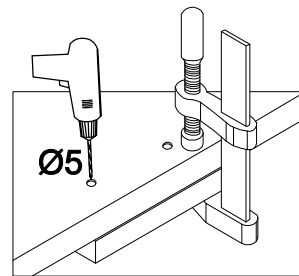
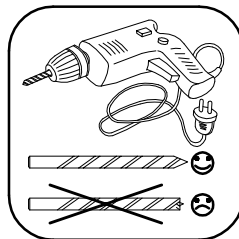


$\pm 5/16\text{mm}$  <b>J3</b> 16	$\pm 20$  <b>E11</b> 16
--	--

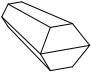

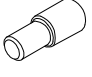


10

$\pm 35/16\text{mm}$  <b>HG2</b> 4	$\pm 3.5 \times 13\text{mm}$  <b>P5</b> 8
--	---





	<b>M4x22mm</b> 	
<b>S</b>	<b>U</b>	<b>J12</b>
<b>2</b>	<b>2</b>	<b>2</b>

