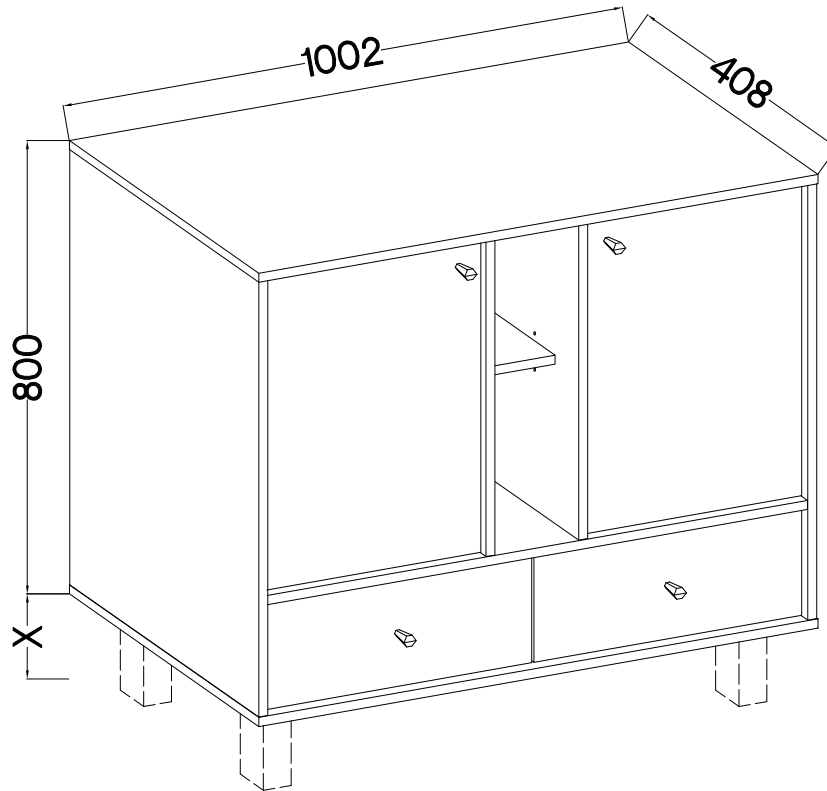
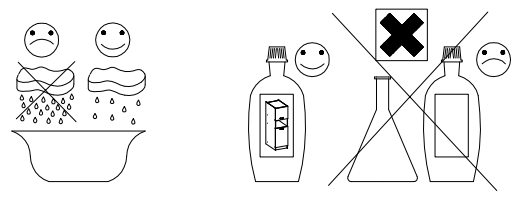
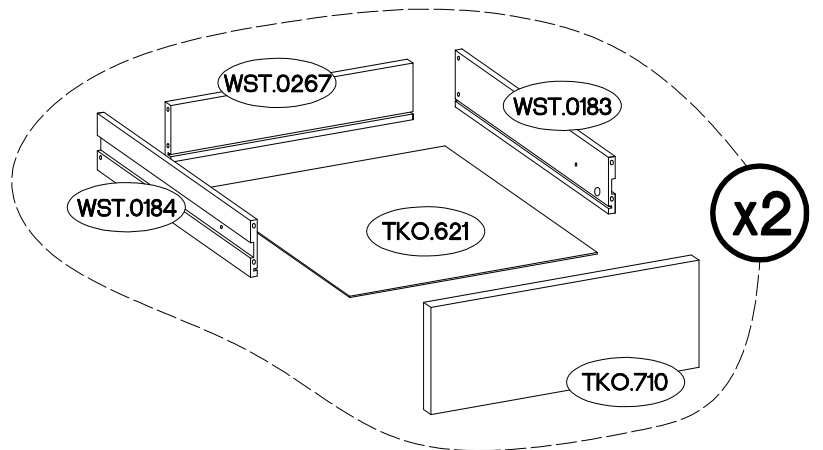
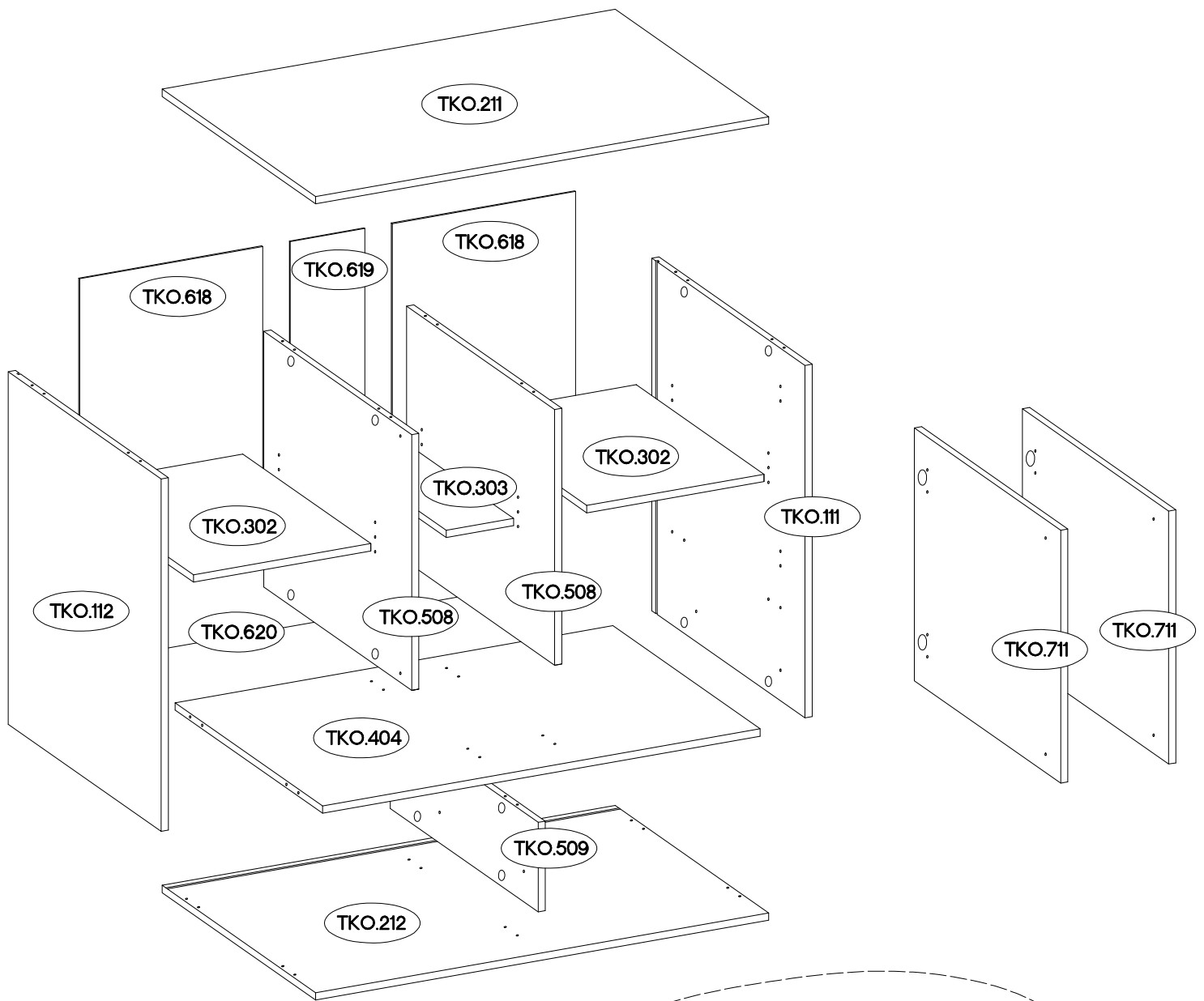


TYP 825

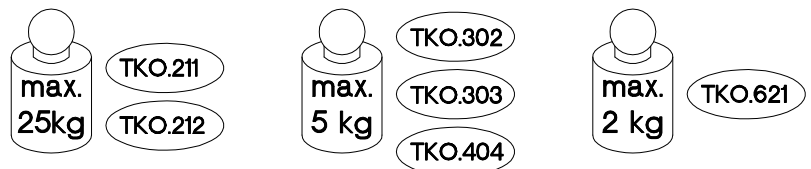


†8x30mm  A 32	†6x42mm  B2 4	†15/12mm  C 24	†12/10mm  C5 4	L=20mm  D2 28	†20  E11 12	†35/16mm  HG2 4	27/310mm  I4 2	†5/16mm  J3 12	 J12 2	†20/8mm  J14 4
 L 18	 L2 20	 L9 1	†6.3x13mm  M2 4	†6.3x20mm  M3 4	†10x50mm  O7 1	†3.5x13mm  P5 9	†3.0x20mm  P7 20	 S 4	M4x22mm  U 4	M4x9mm  U1 4


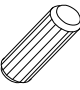
ISM-TKO-010

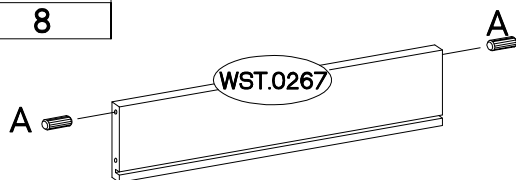


	Ersatzteil Nummer	Dimension
	TKO.111	768x407x16
	TKO.112	768x407x16
	TKO.508 x2	557x391x16
	TKO.509	195x366x16
	TKO.211	1002x408x16
	TKO.212	1002x408x16
	TKO.404	968x392x16
	TKO.302 x2	392x340x16
	TKO.303	149x340x16
	TKO.618 x2	566x405x2,5
	TKO.619	566x165x2,5
	TKO.620	977x210x2,5
	TKO.621 x2	445x327x2,5
	WST.0183 x2	330x100x12
	WST.0184 x2	330x100x12
	WST.0267 x2	434x100x12
TKO.710 x2	480x189x16	
TKO.711 x2	551x389x16	

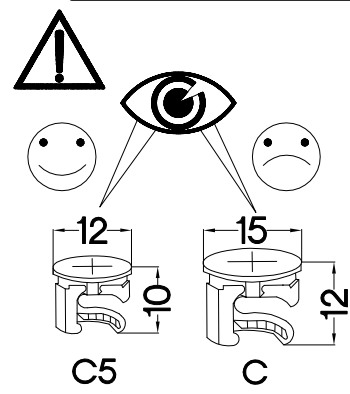
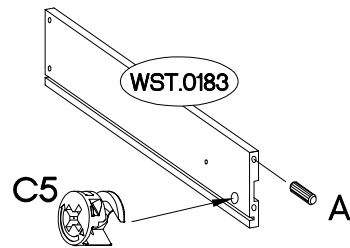
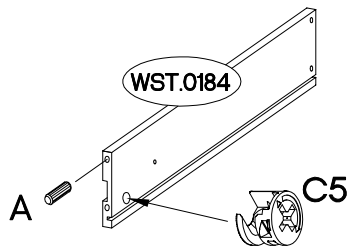
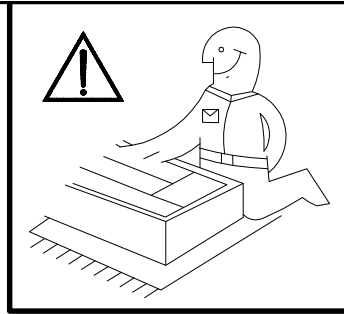


1

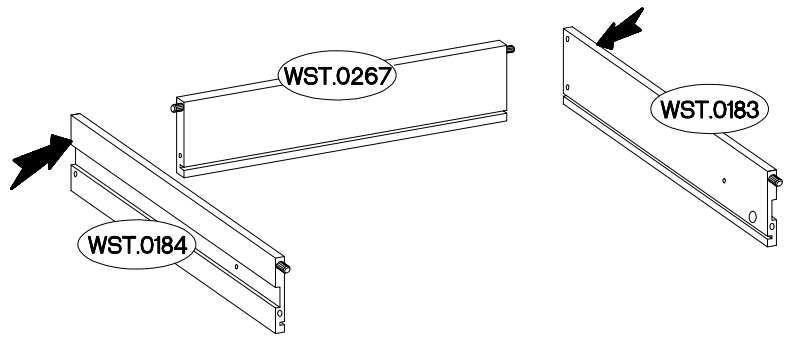
#12/10mm  C5 4	#8x30mm  A 8
---	---




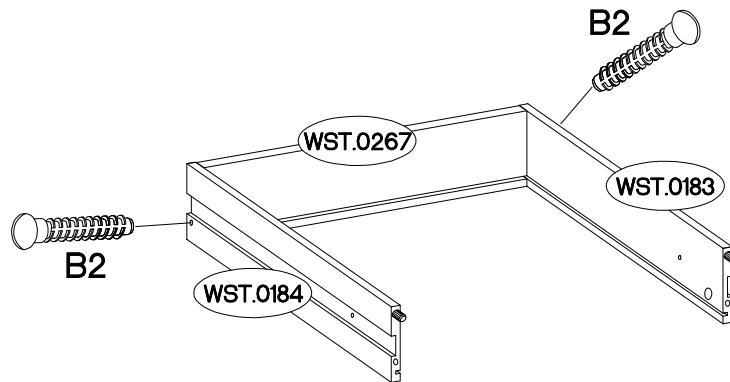
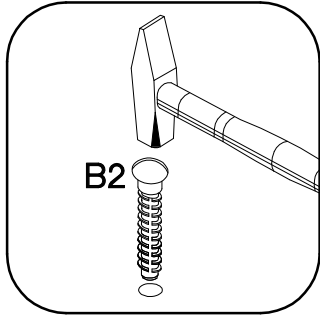
x2



2




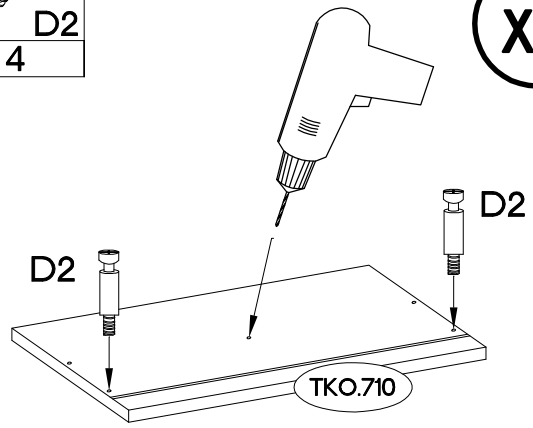
#6x42mm  B2 4
---



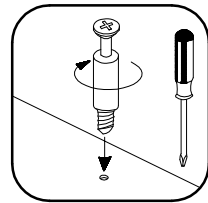
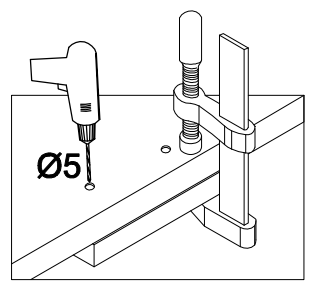
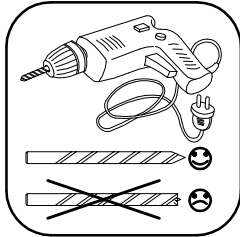
x2

3

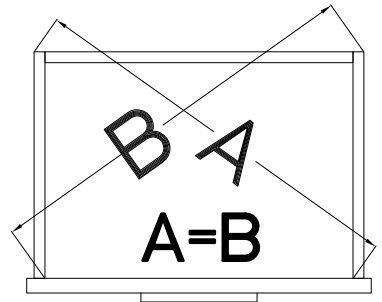
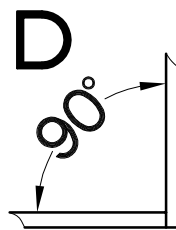
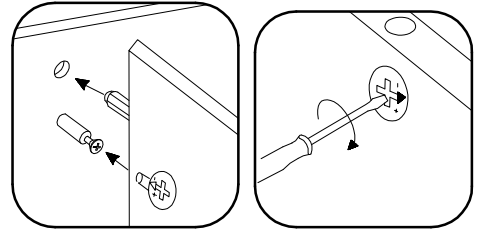
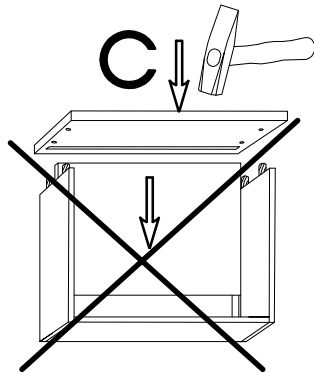
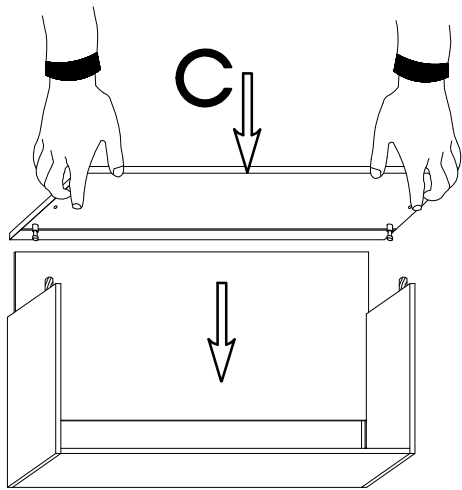
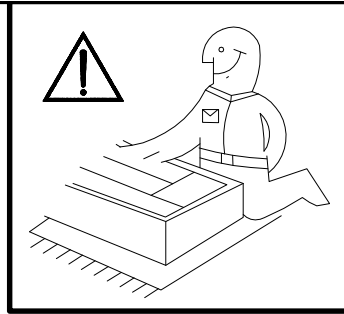
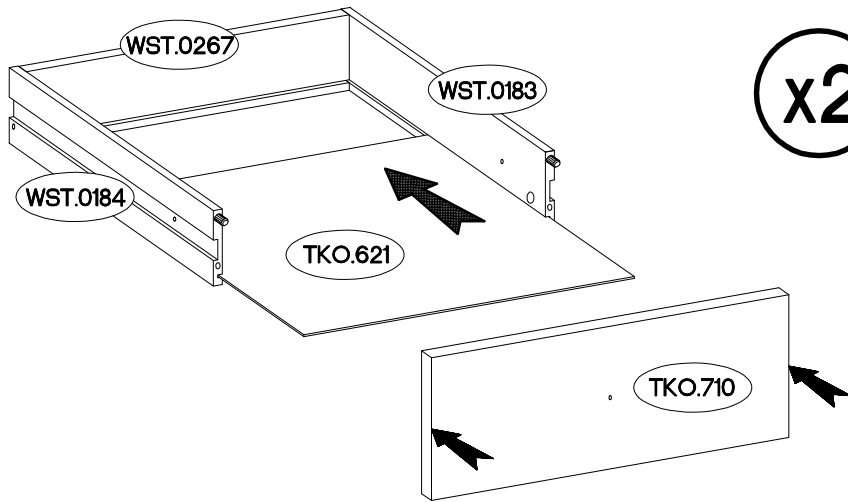
L=20mm  D2 4
--



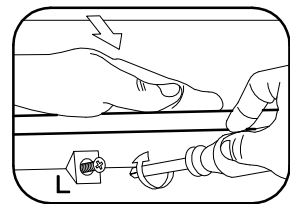
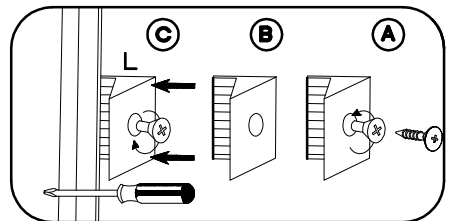
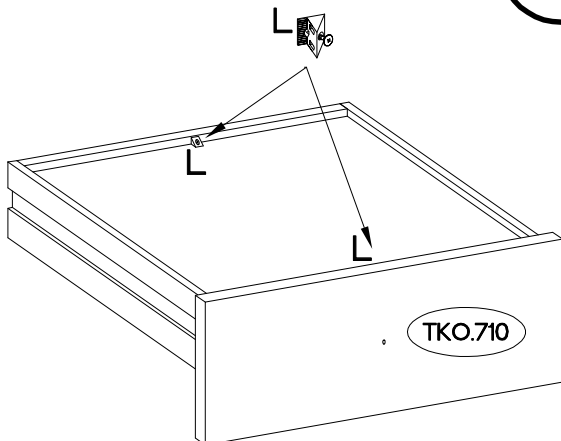
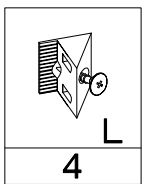
x2

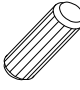

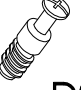
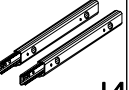





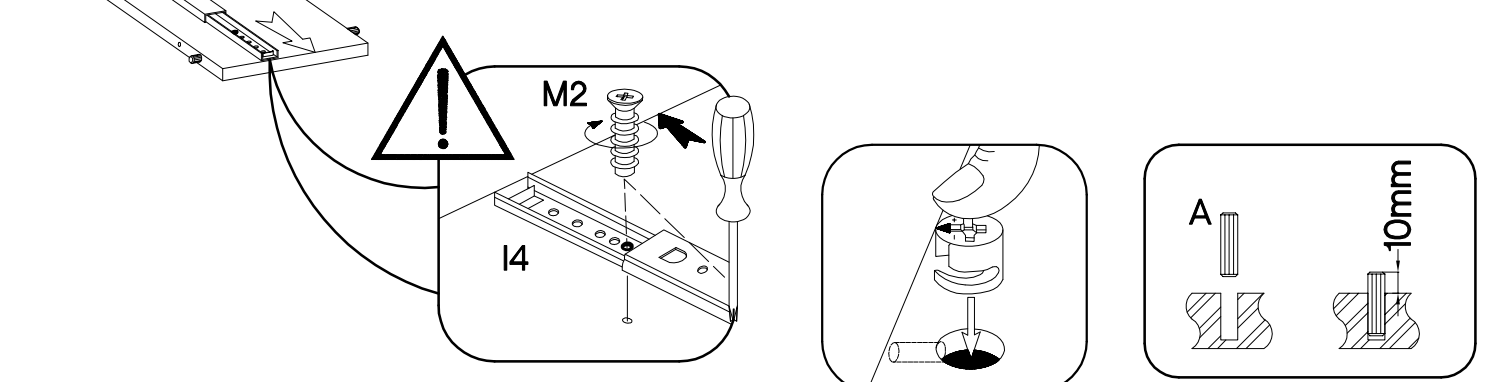
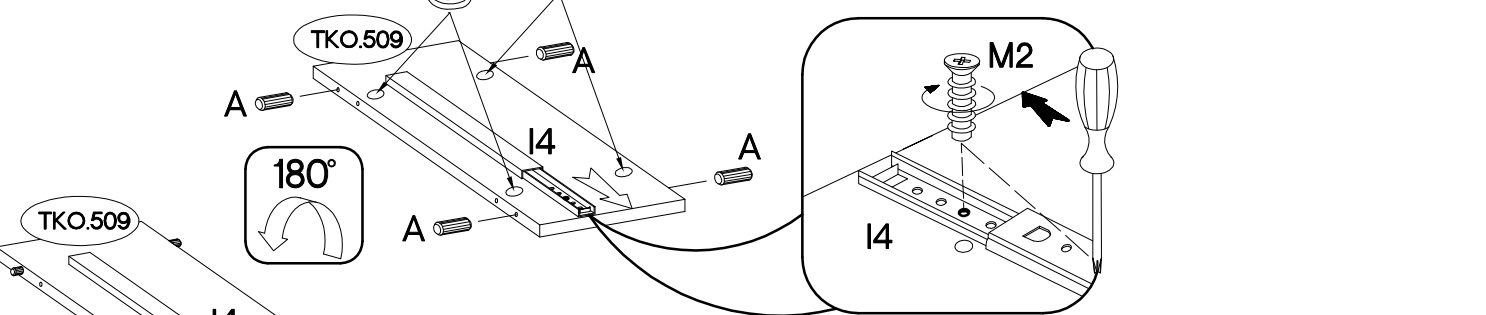
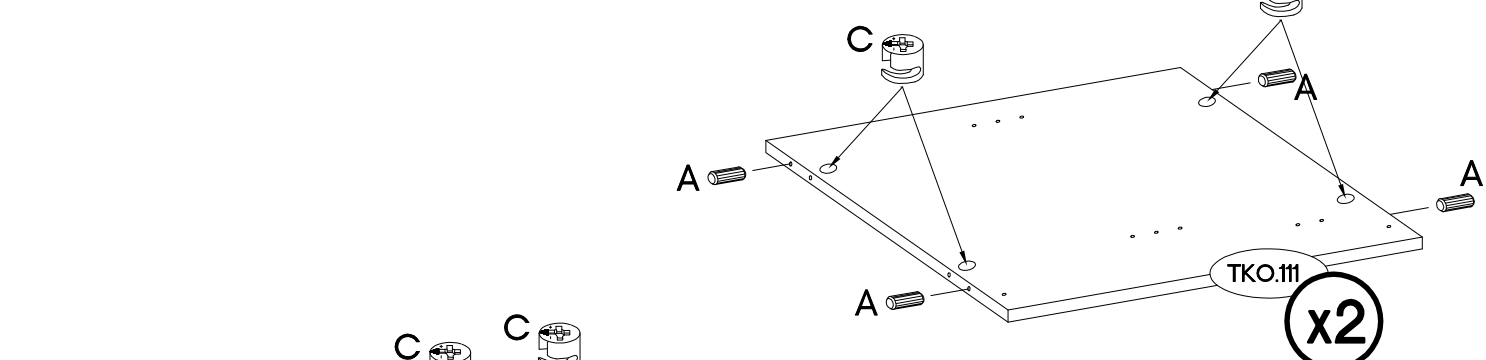
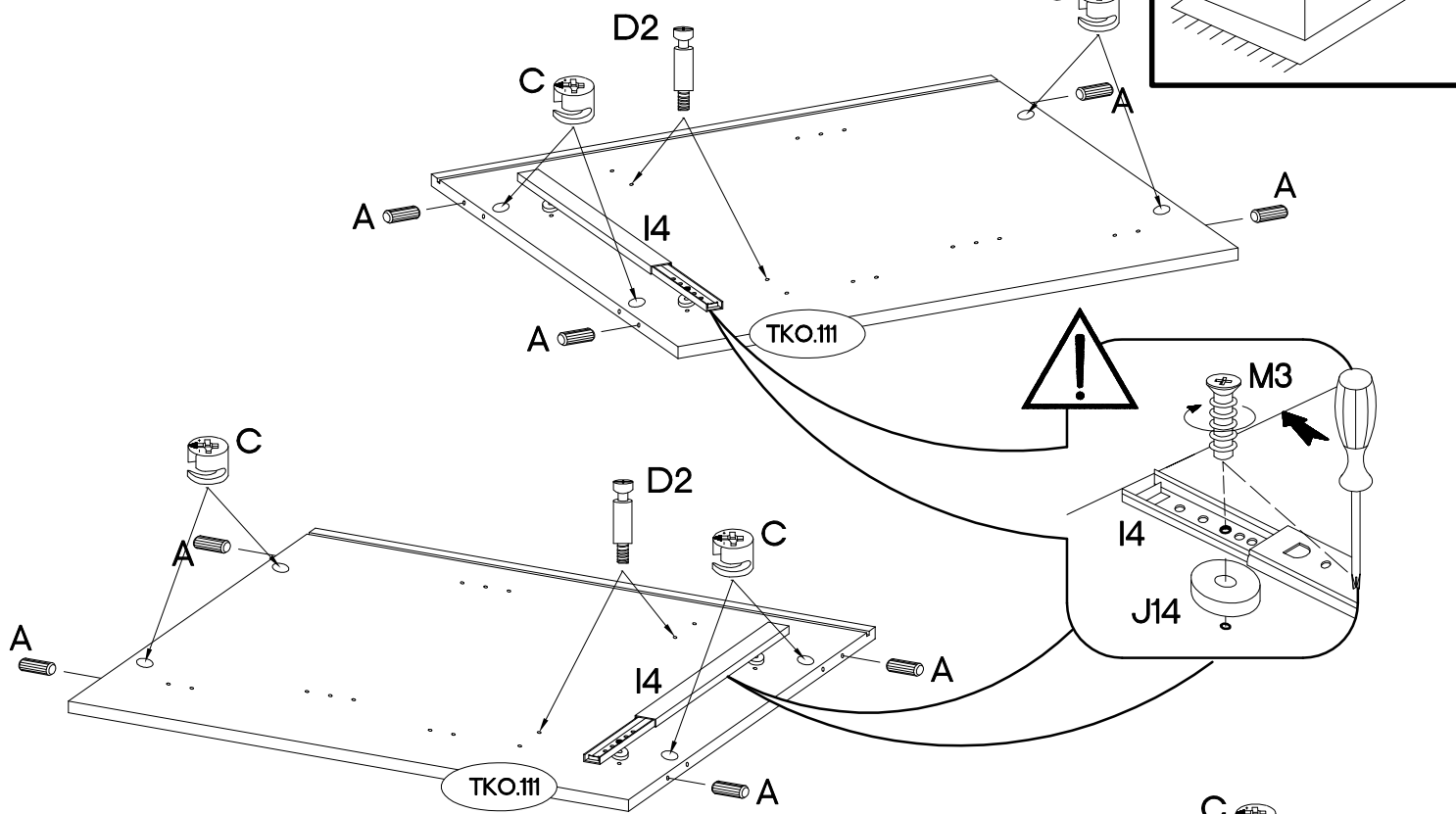
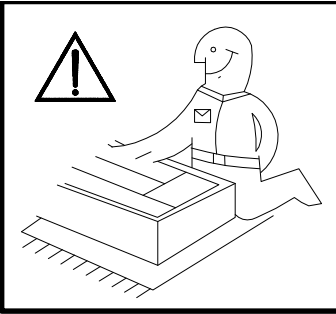
4



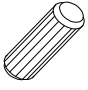

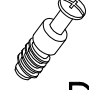
5

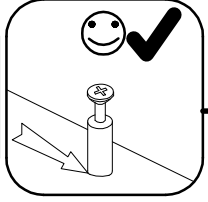
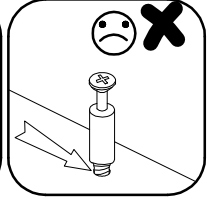
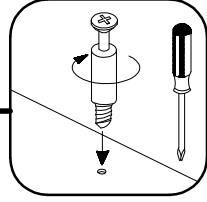
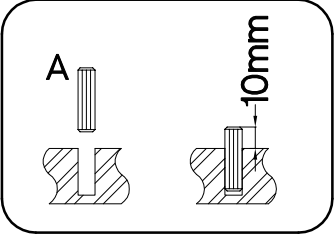
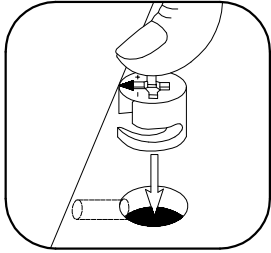
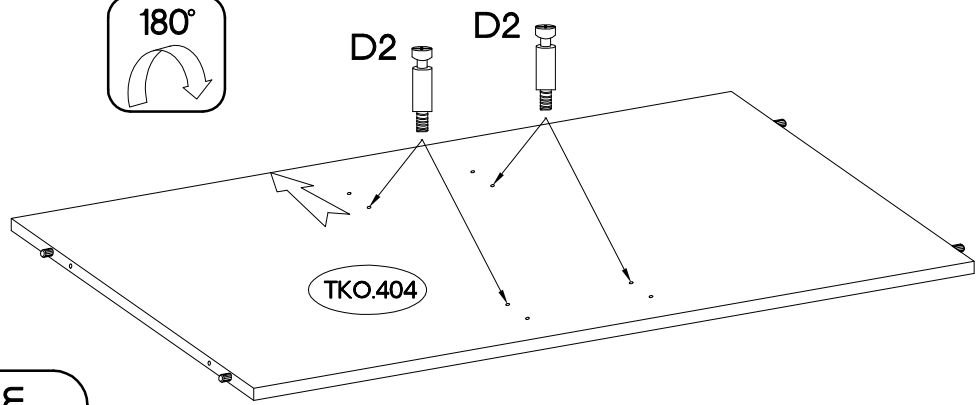
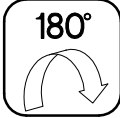
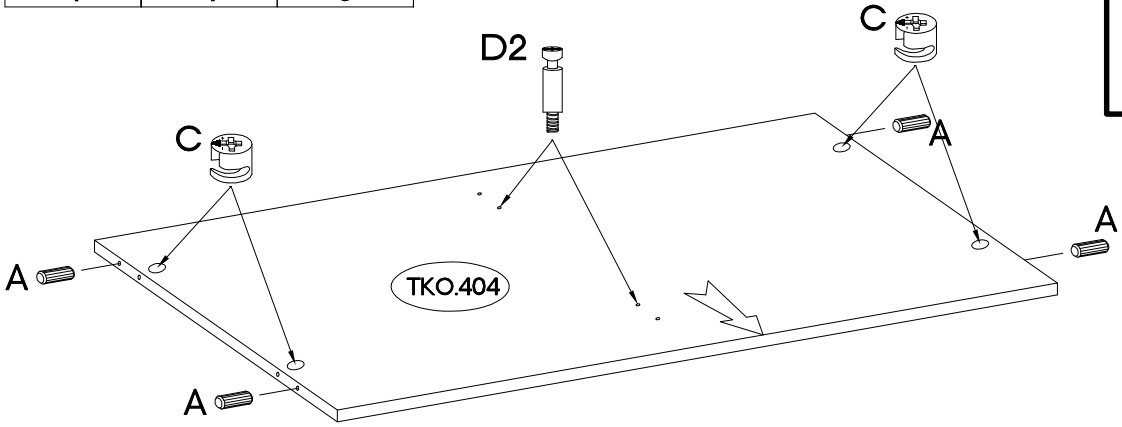
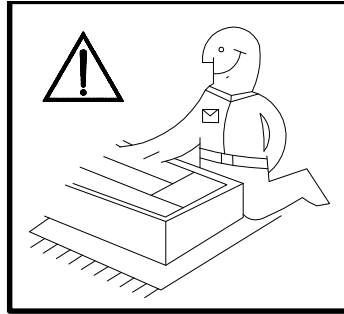


+8x30mm  A 20	+15/12mm  C 20	L=20mm  D2 4	27/310mm  I4 2	+6,3x13mm  M2 4	+6.3x20mm  M3 4	+20/8mm  J14 4
--	---	---	---	--	--	--




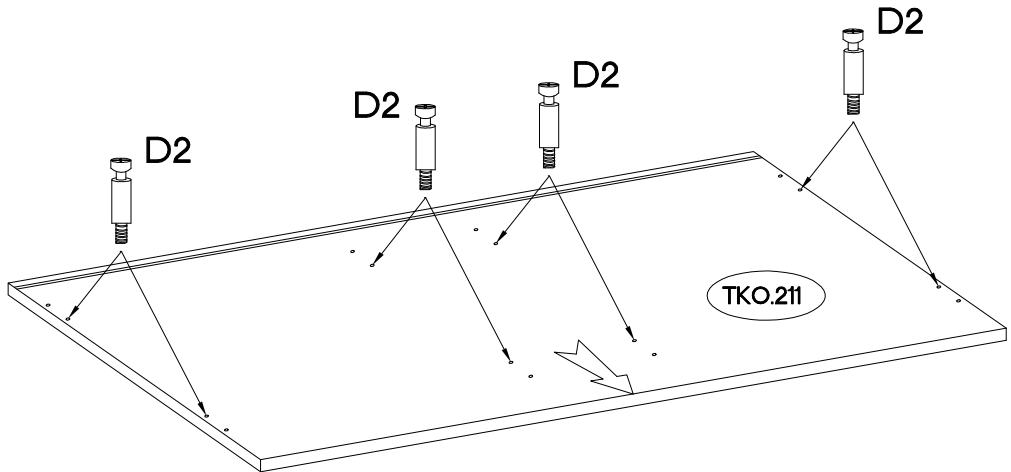
7

±8x30mm  A 4	±15/12mm  C 4	L=20mm  D2 6
---	--	---



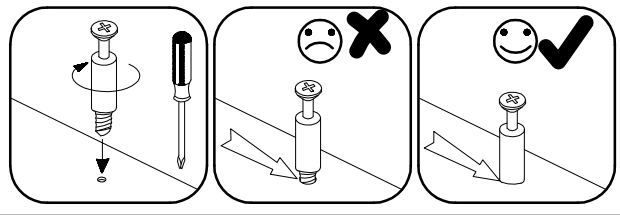
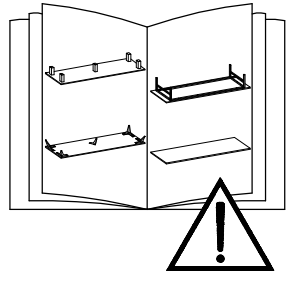
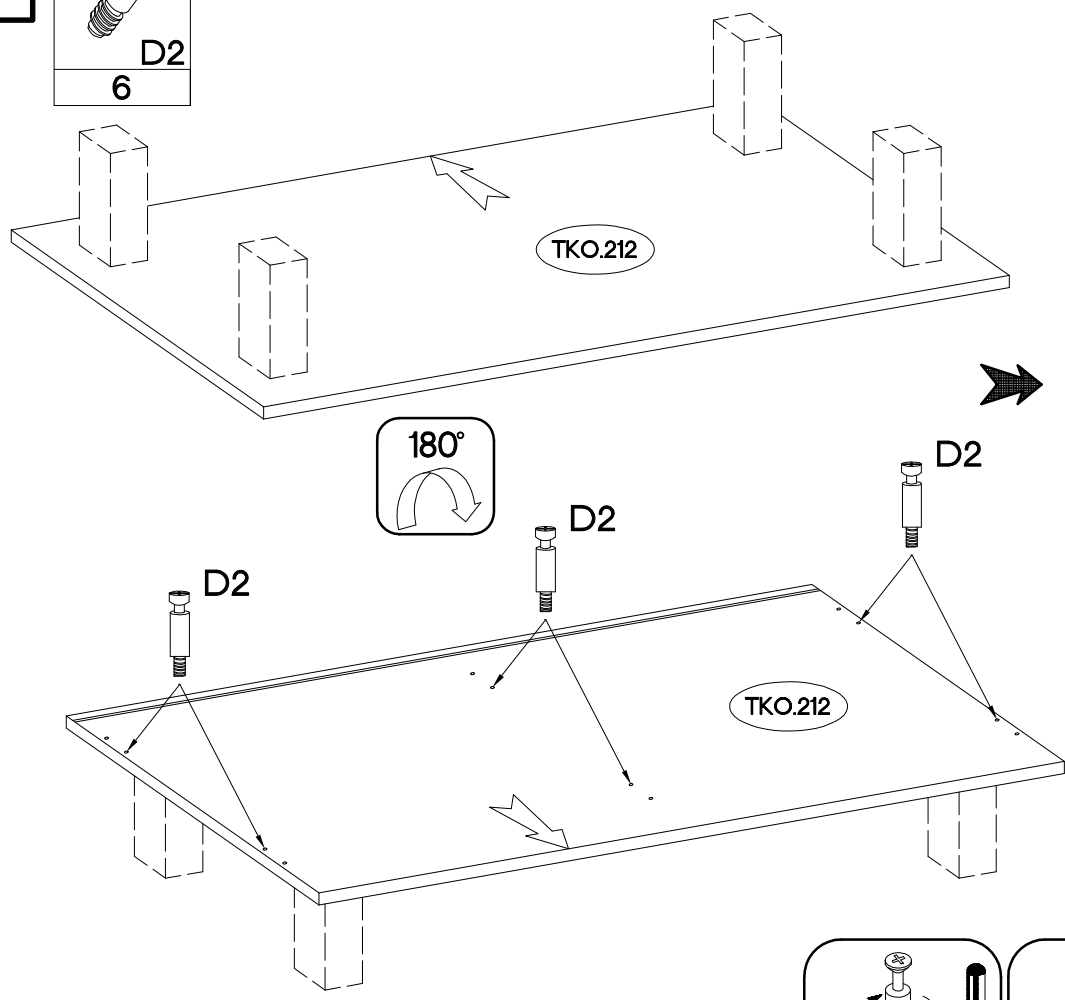
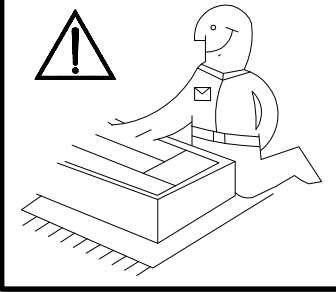
8

L=20mm  D2 8
--

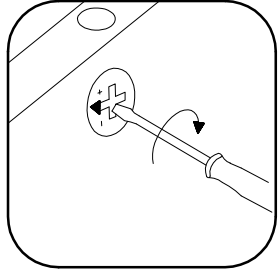
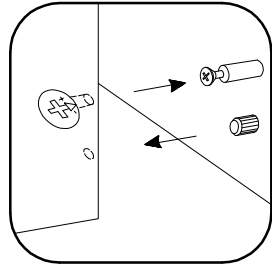
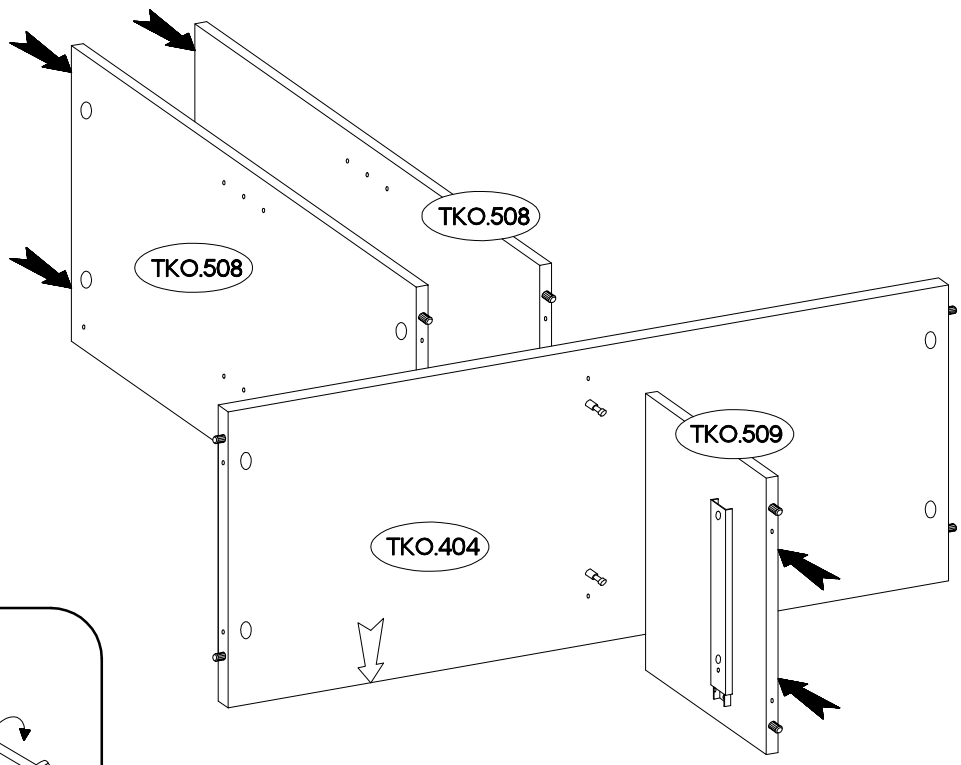


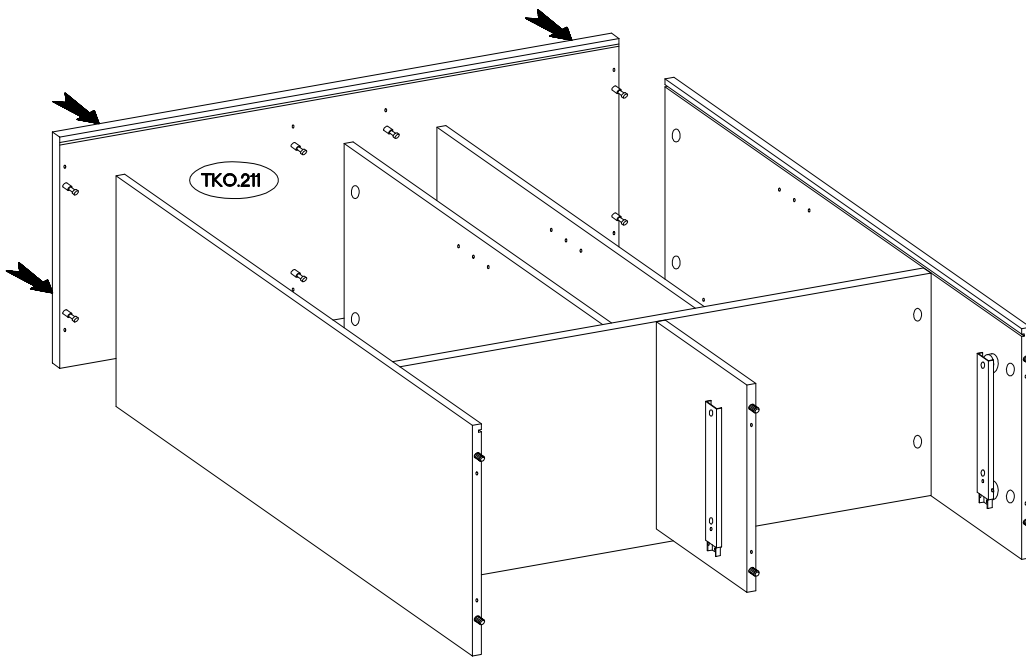
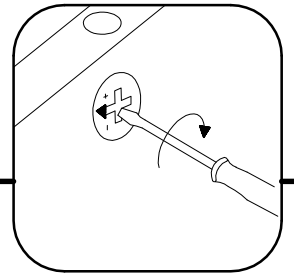
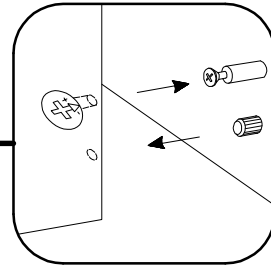
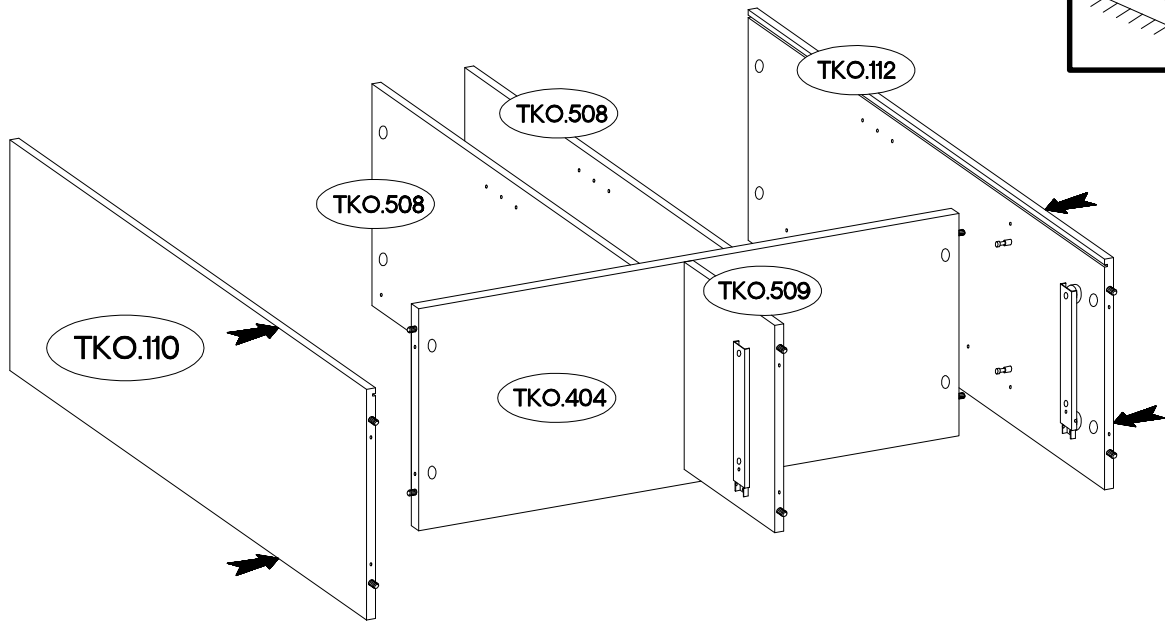
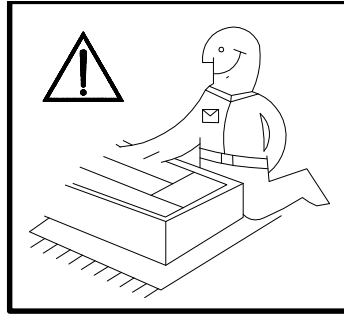
9

L=20mm  
D2  
6

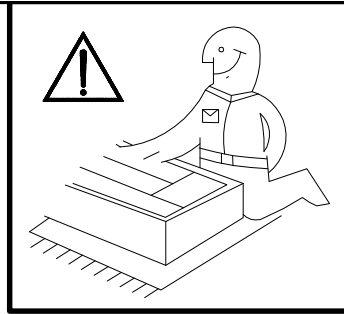
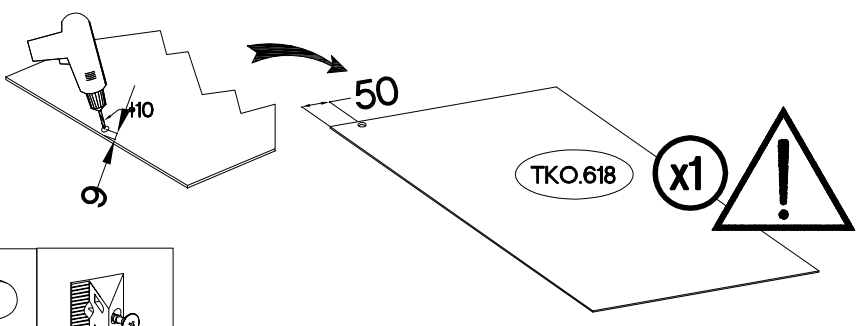


10

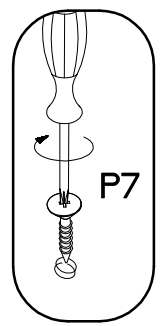
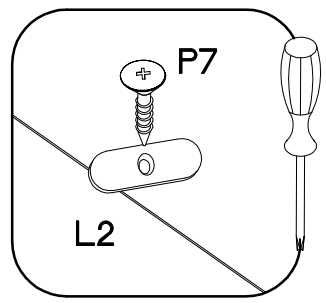
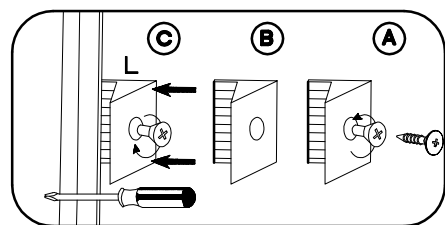
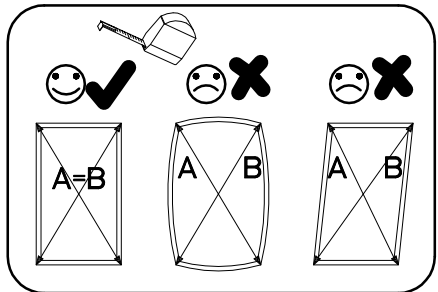
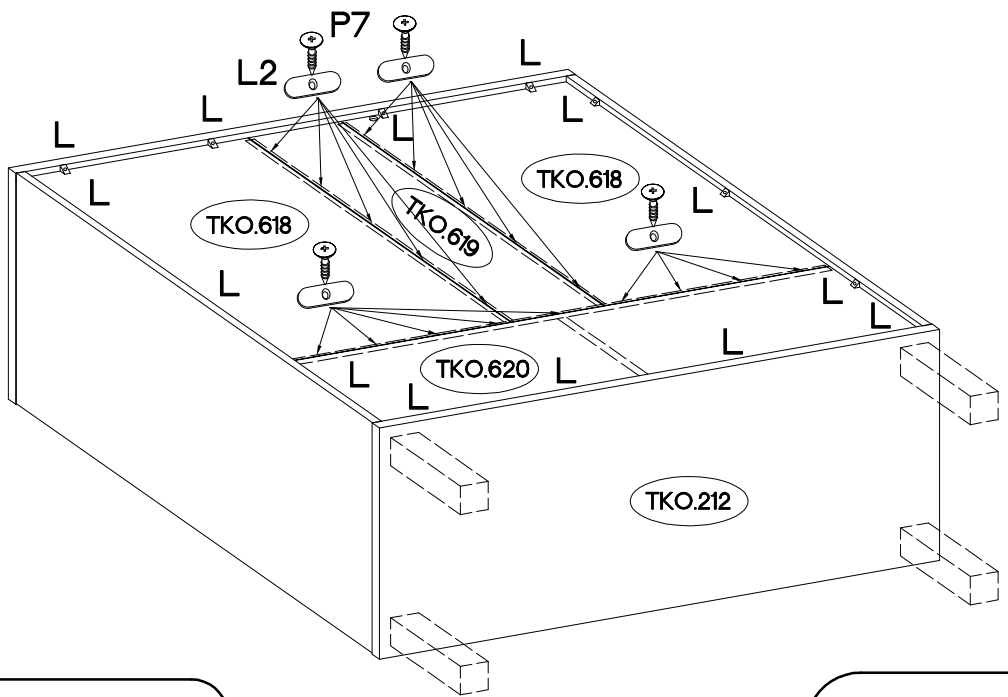
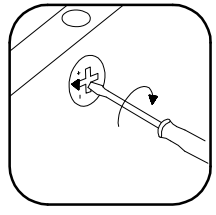
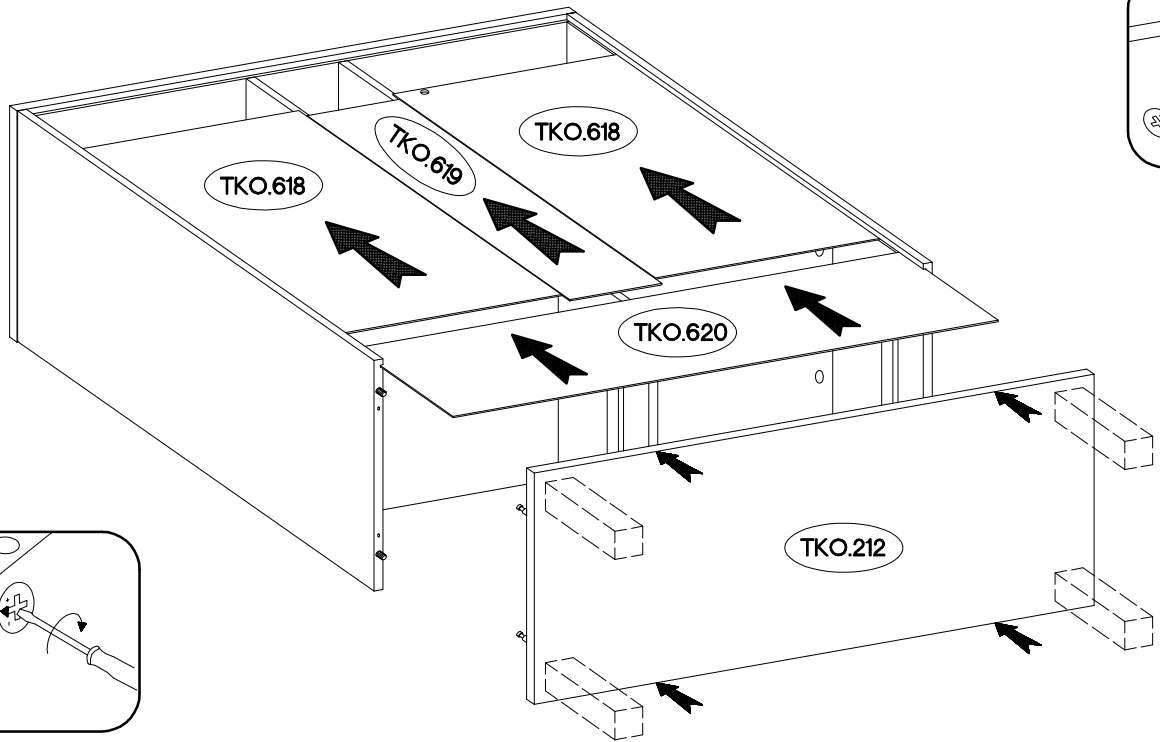


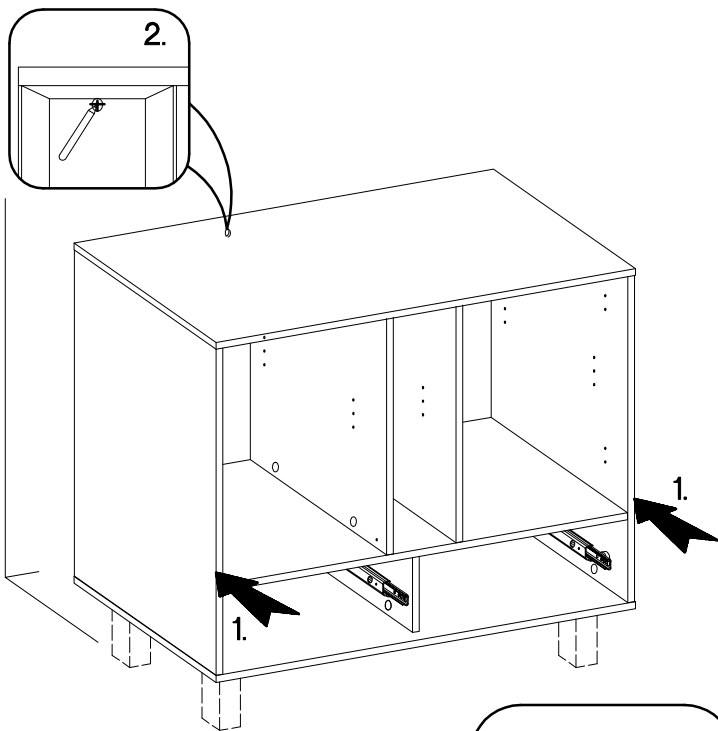







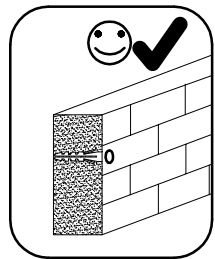
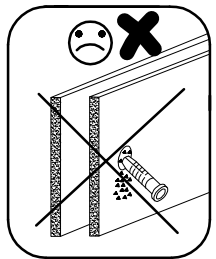
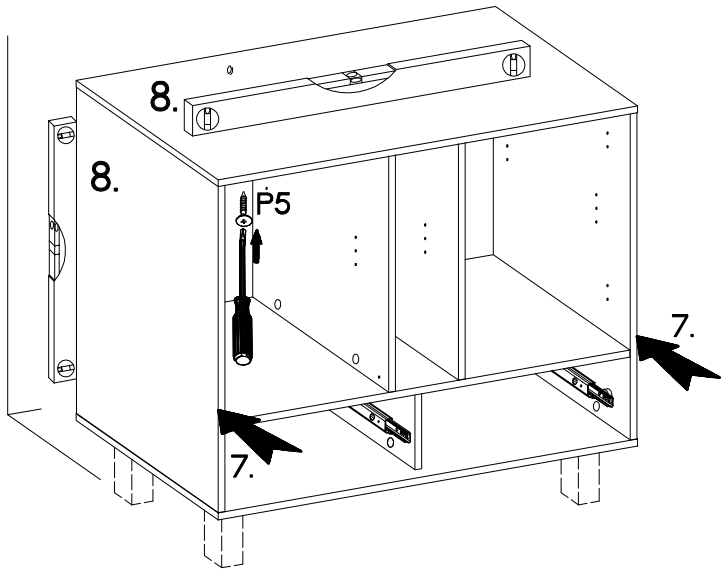
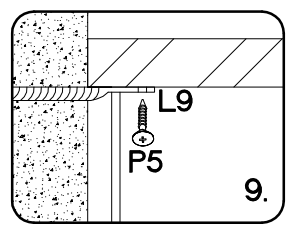
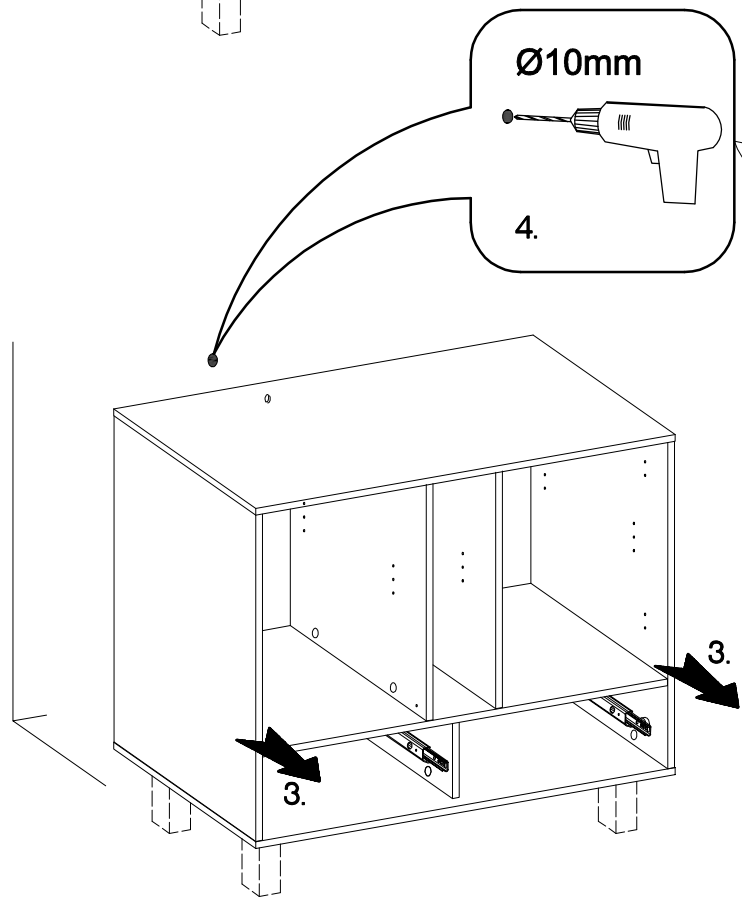


 P7 20	 L2 20	 L 14
--------------	--------------	-------------

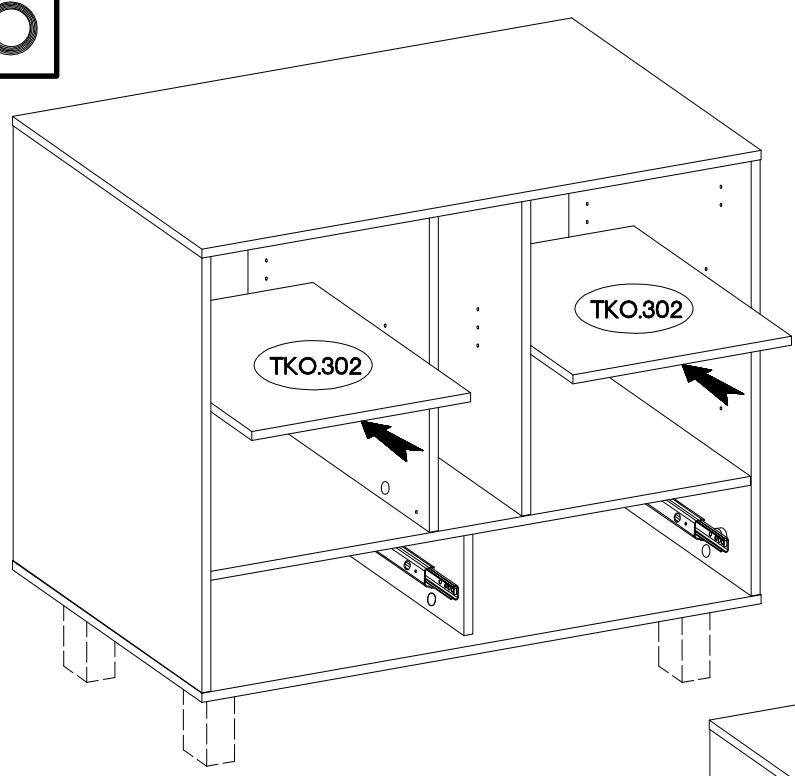


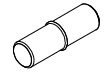


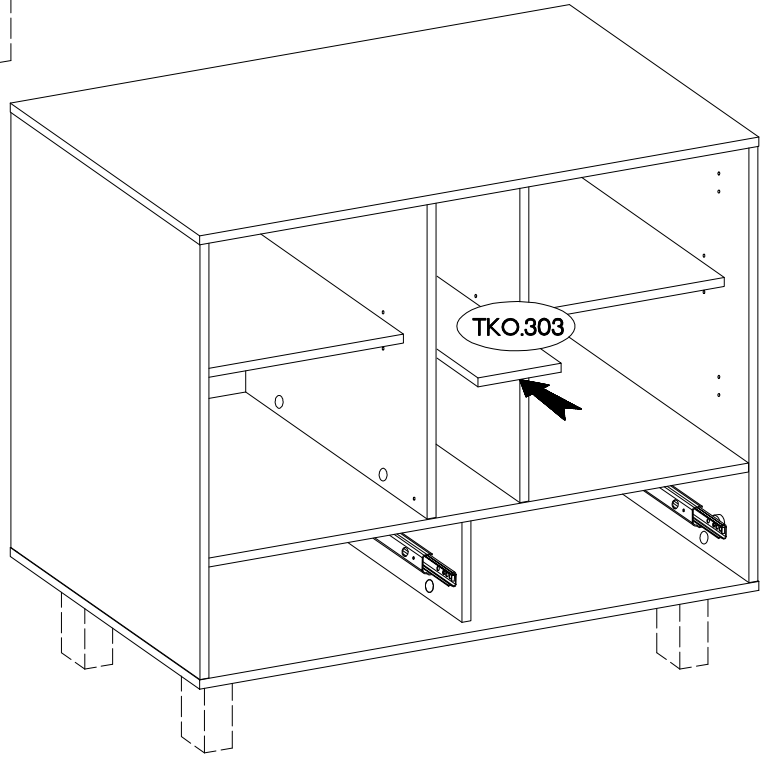
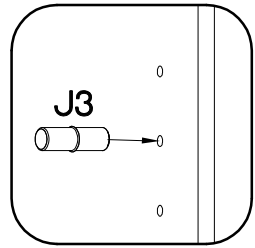
$\pm 10 \times 50 \text{mm}$ 		$\pm 3.5 \times 13 \text{mm}$ 
O7	L9	P5
1	1	1





# 15

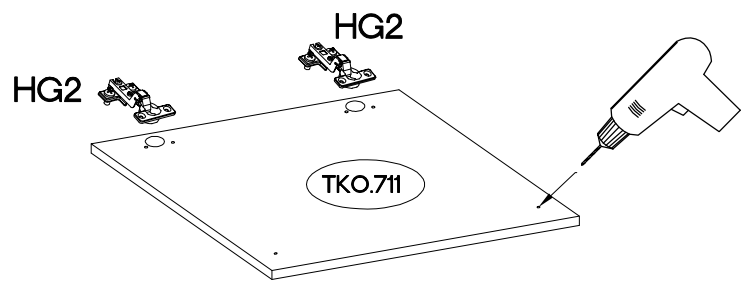
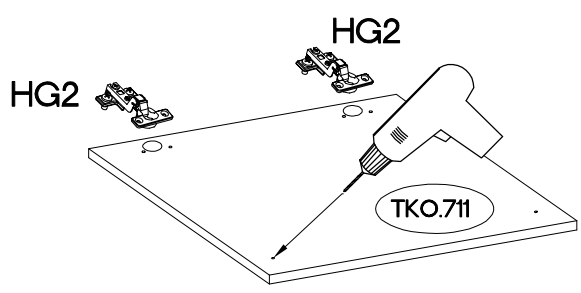
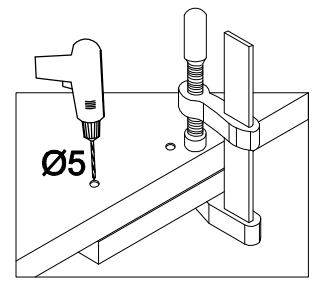
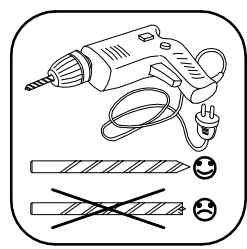
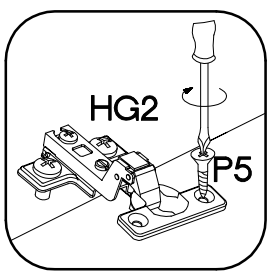


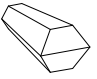


±5/16mm

J3
12

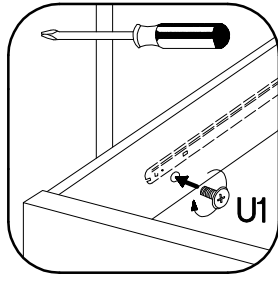
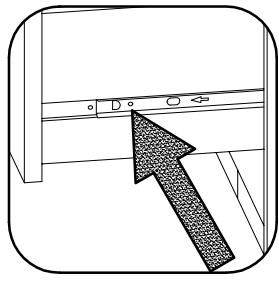
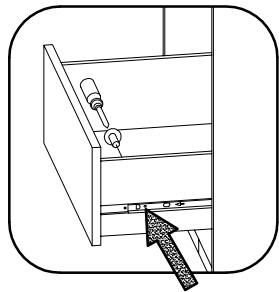
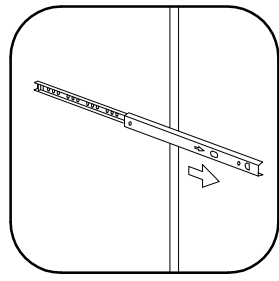
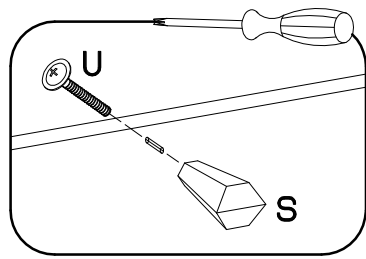
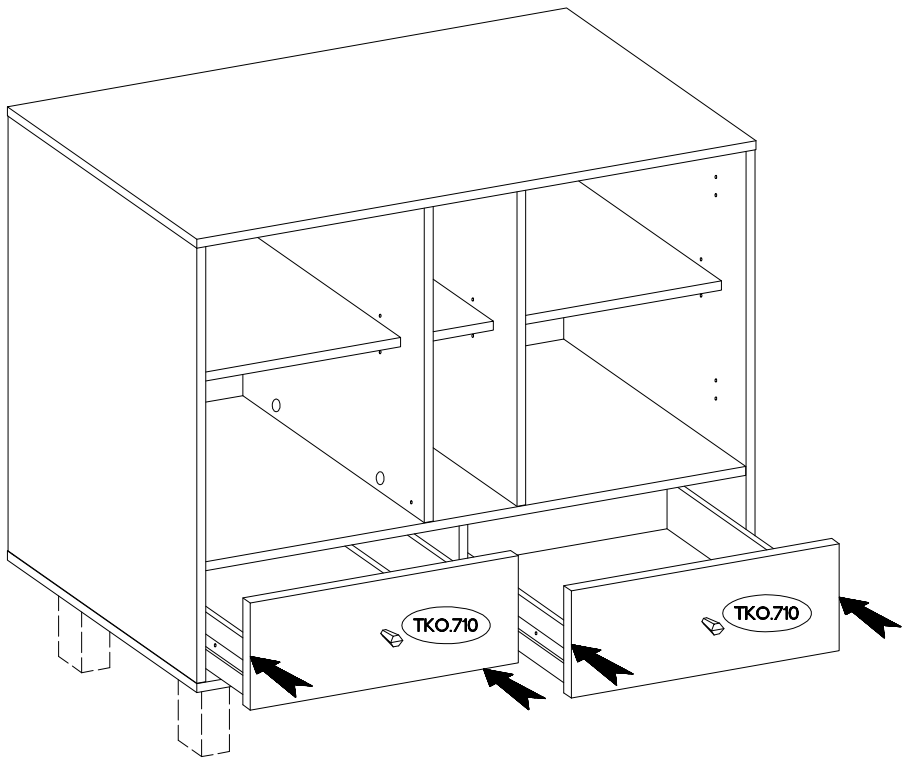


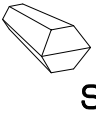



# 16

±35/16mm	±3.5x13mm
	
HG2	P5
4	8



 S	M4x22mm  U	M4x9mm  U1
2	2	4



	M4x22mm 		+20 
S	U	J12	E11
2	2	2	12

