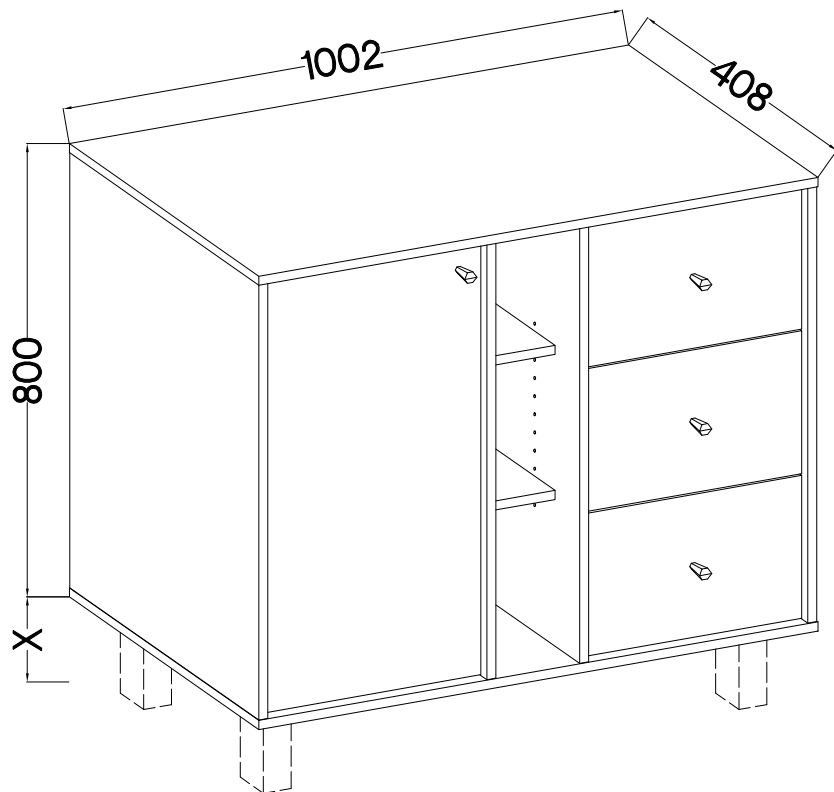
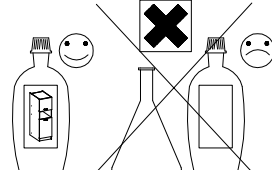


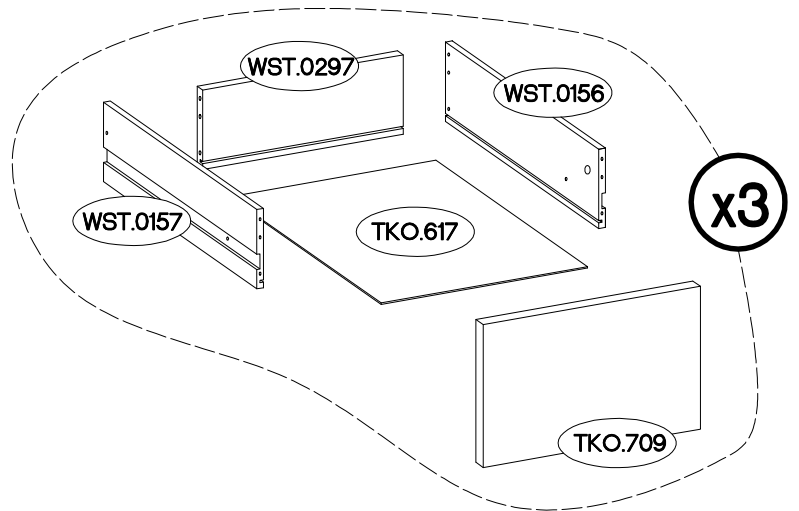
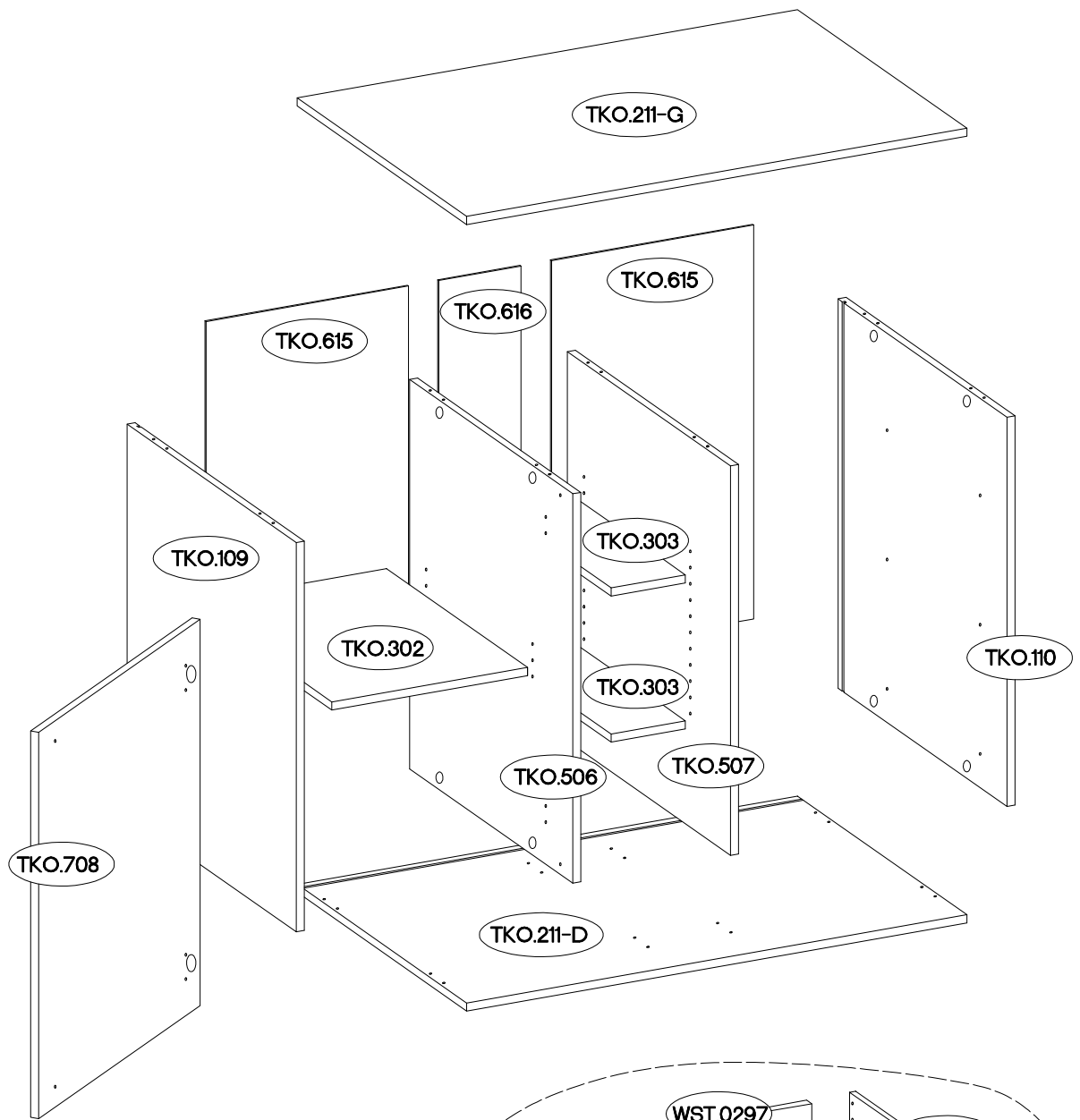
90 min

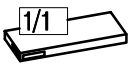
TYP 824

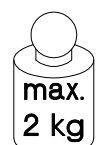
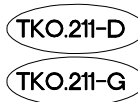


<b>A</b>	<b>B2</b>	<b>C</b>	<b>C5</b>	<b>D2</b>	<b>E11</b>	<b>HG2</b>	<b>I4</b>	<b>J3</b>		
40	6	16	6	22	8	2	3	14	12	
<b>J12</b>	<b>L</b>	<b>L2</b>	<b>L9</b>	<b>M2</b>	<b>O7</b>	<b>P5</b>	<b>P7</b>	<b>S</b>	<b>U</b>	<b>U1</b>
1	20	14	1	12	1	5	14	4	4	6


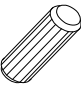
ISM-TKO-009



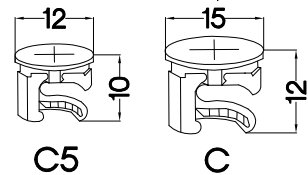
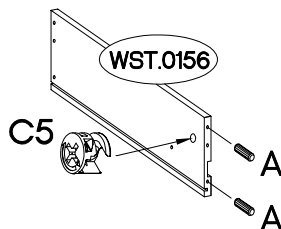
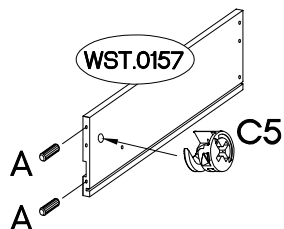
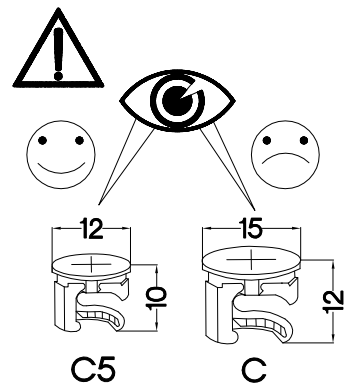
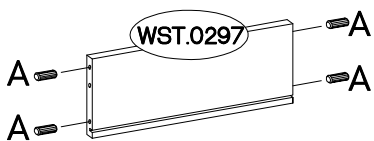
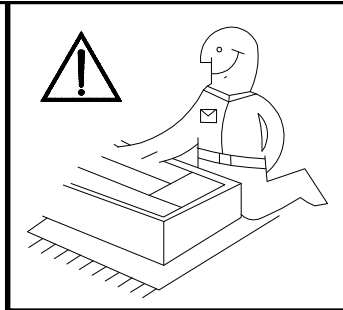
	Ersatzteil Nummer	Dimension
	TKO.109	768x407x16
	TKO.110	768x407x16
	TKO.506	768x393x16
	TKO.507	768x393x16
	TKO.211 x2	1002x408x16
	TKO.302	392x340x16
	TKO.303 x2	149x340x16
	TKO.615 x2	777x405x2,5
	TKO.616	777x165x2,5
	TKO.617 x3	370x327x2,5
	WST.0156 x3	330x140x12
	WST.0157 x3	330x140x12
	WST.0297 x3	359x140x12
	TKO.709 x3	389x252x16
	TKO.708	762x389x16



1


 #12/10mm C5 6	 #8x30mm A 24
---	--

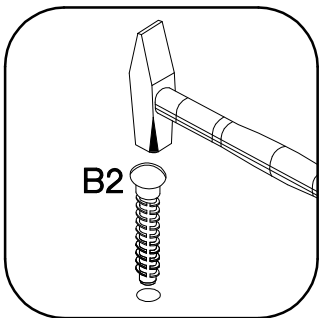
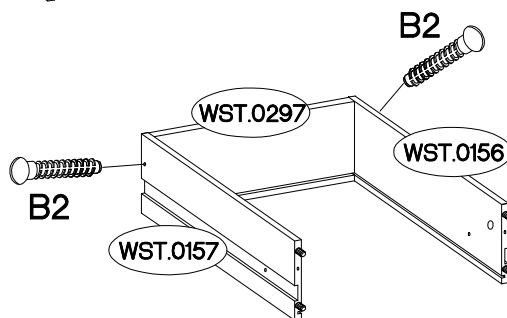
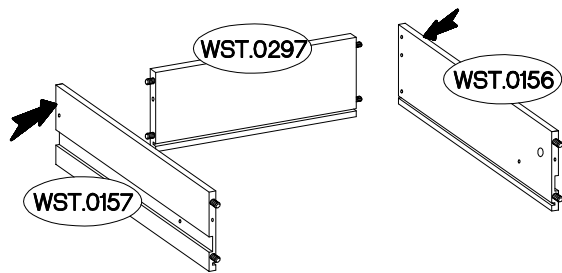
x3




2

x3

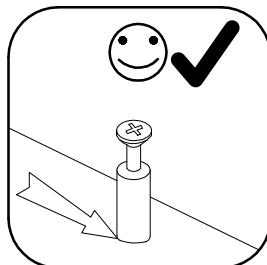
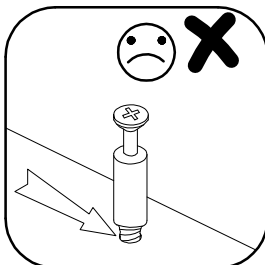
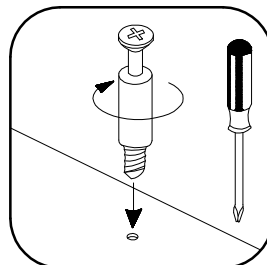
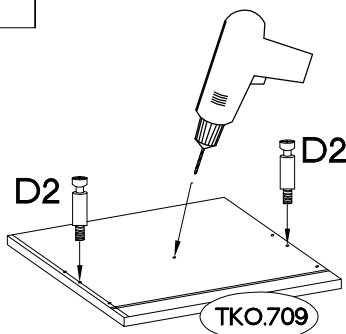
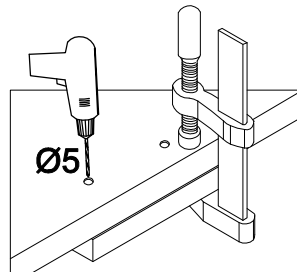
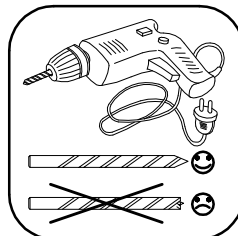
 #6x42mm B2 6
---



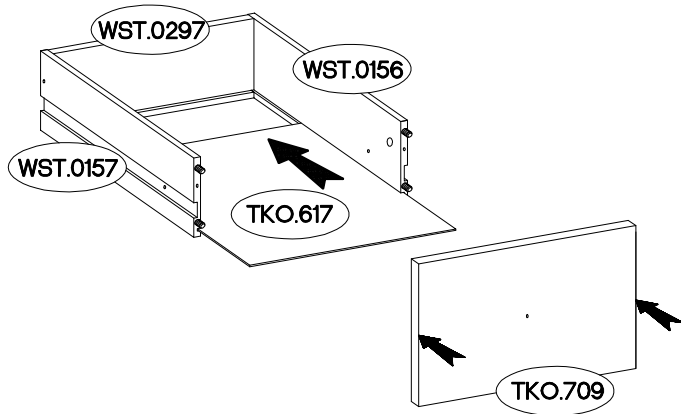
3

 L=20mm D2 6
--

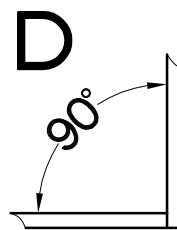
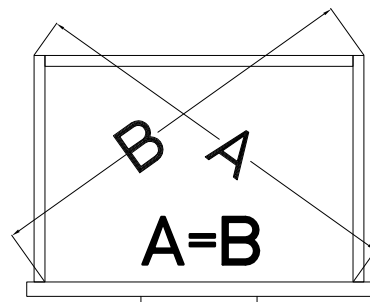
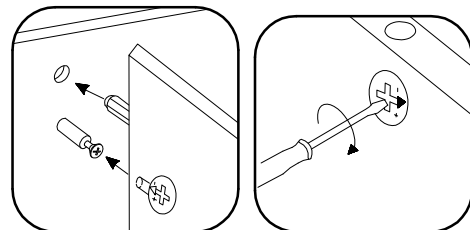
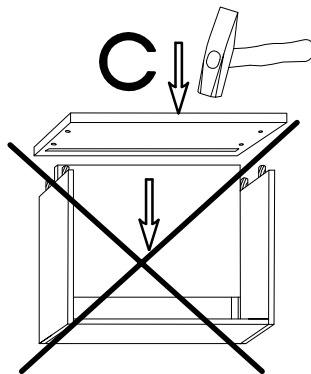
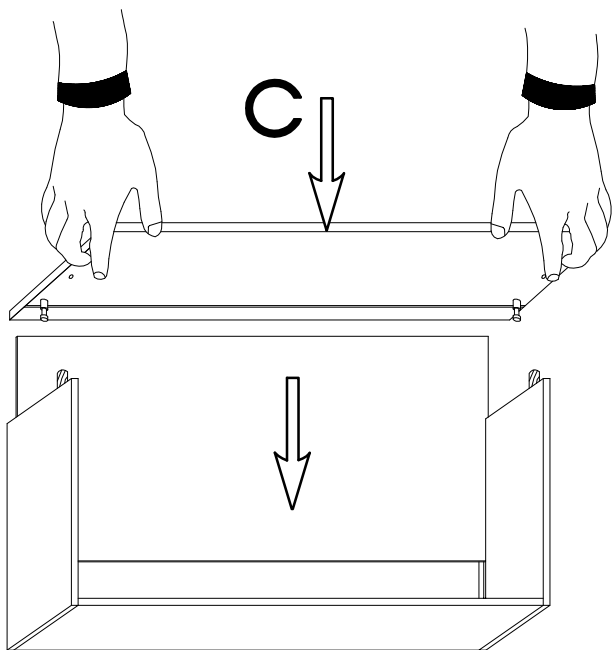
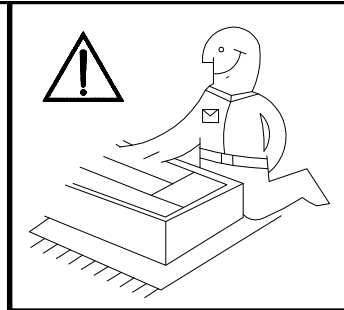
x3



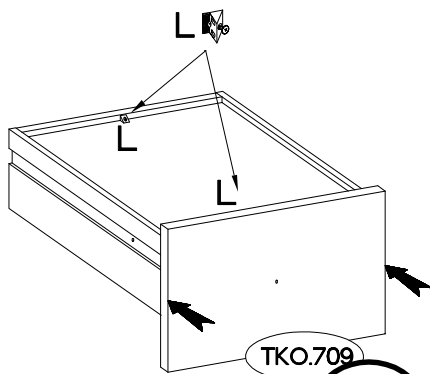
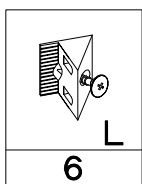
4



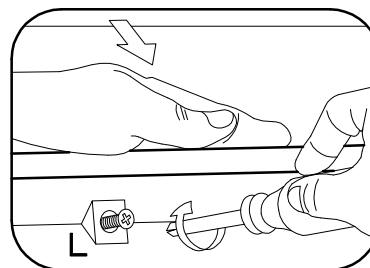
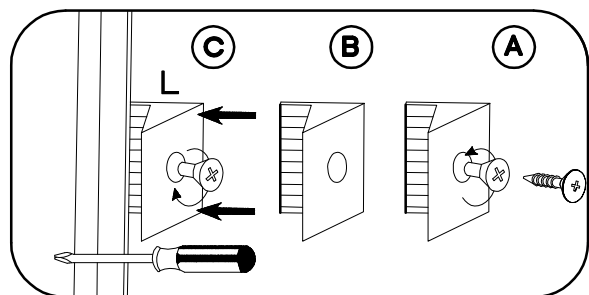
x3







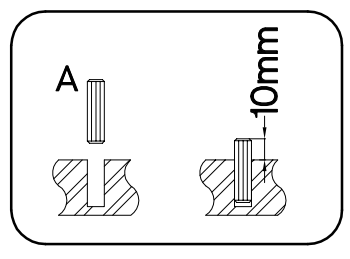
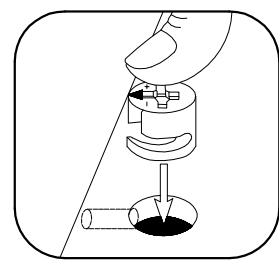
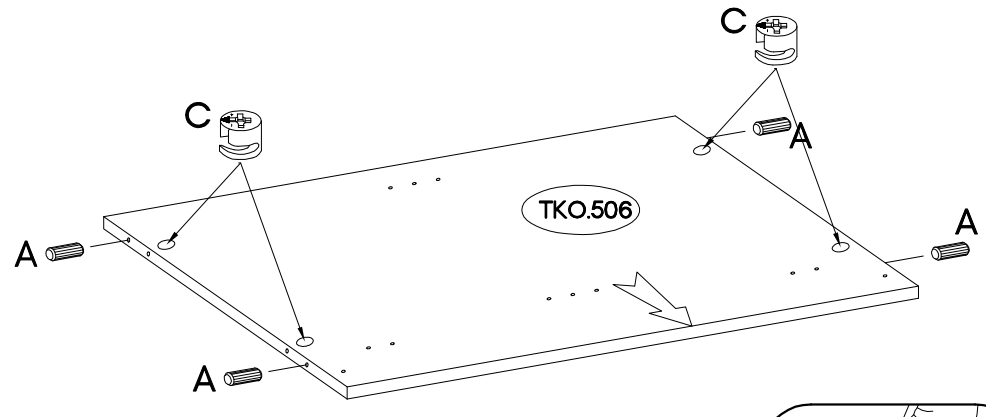
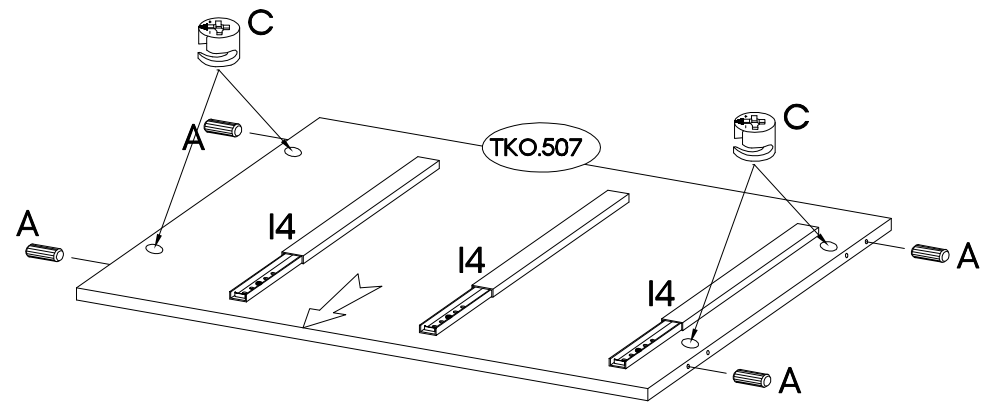
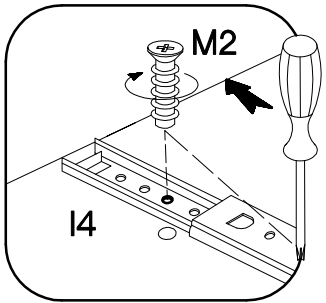
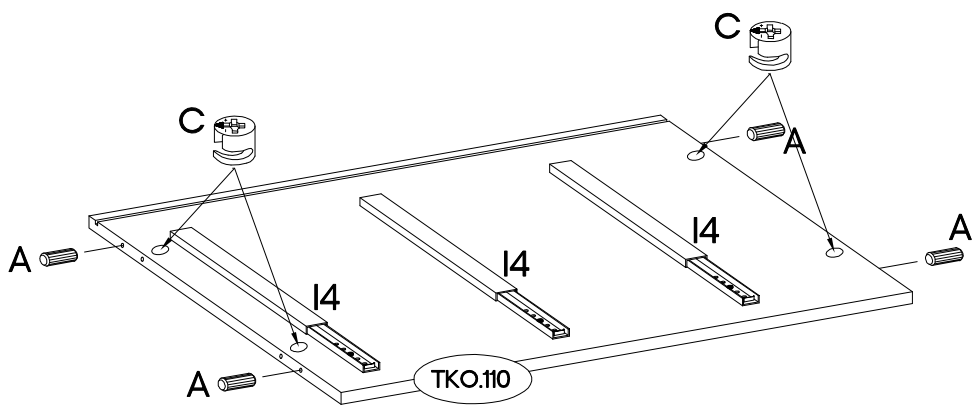
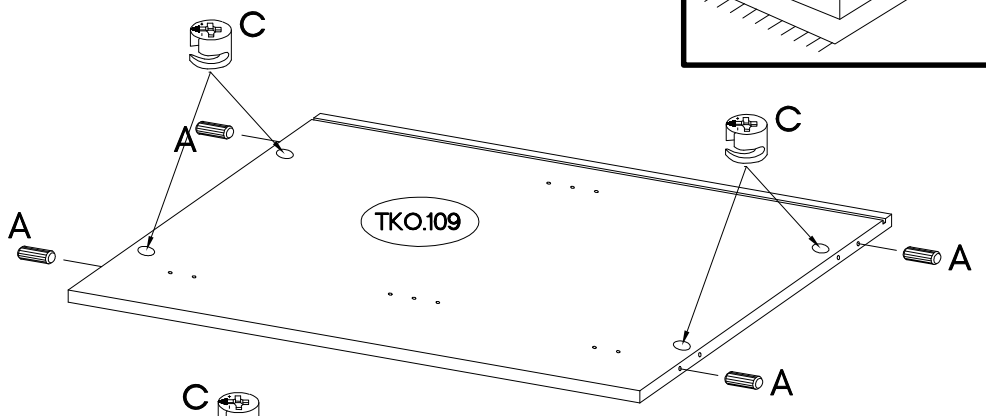
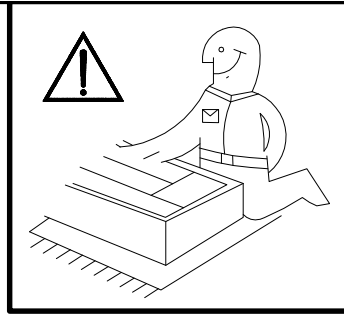
5



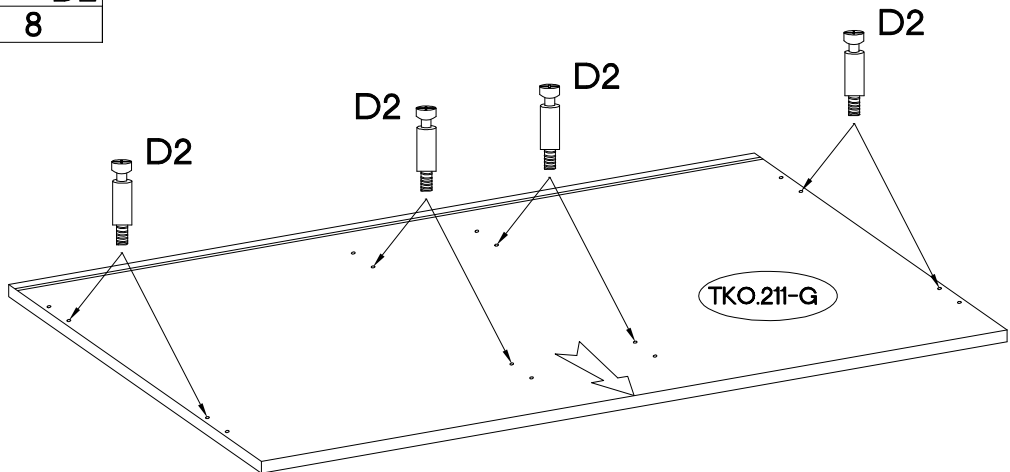
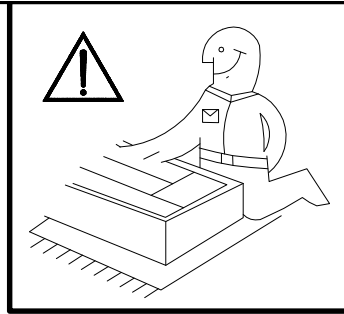
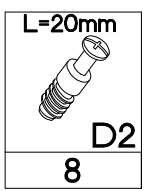
x3



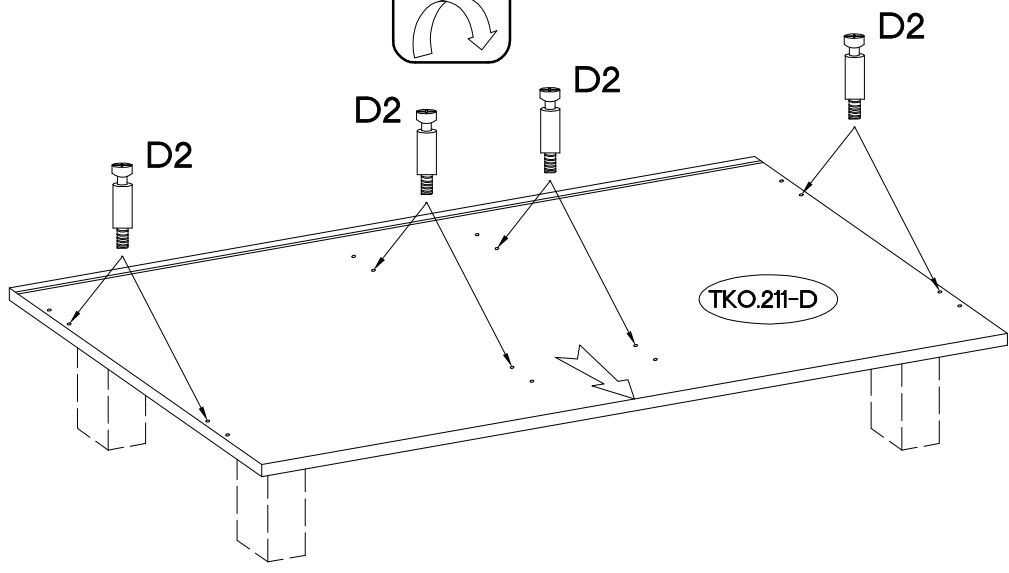
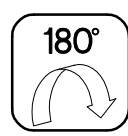
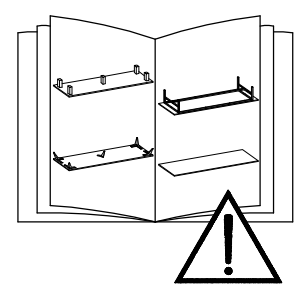
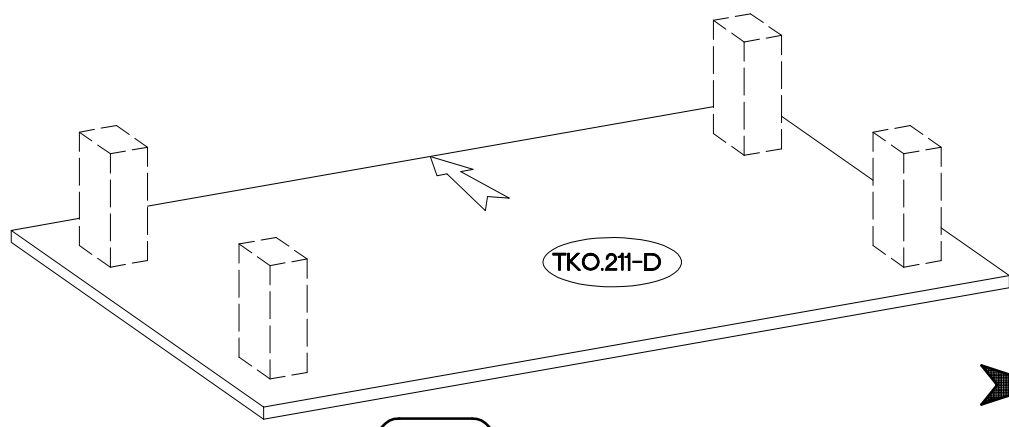
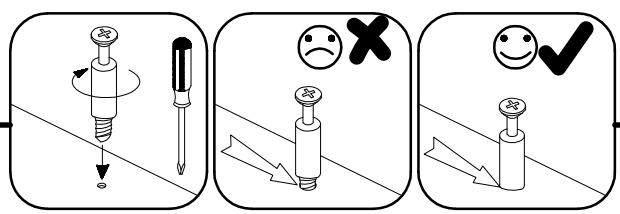
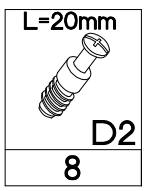
 <b>±8x30mm</b> <b>A</b> 16	 <b>±15/12mm</b> <b>C</b> 16	 <b>27/310mm</b> <b>I4</b> 3	 <b>±6,3x13mm</b> <b>M2</b> 12
--	---	---	---



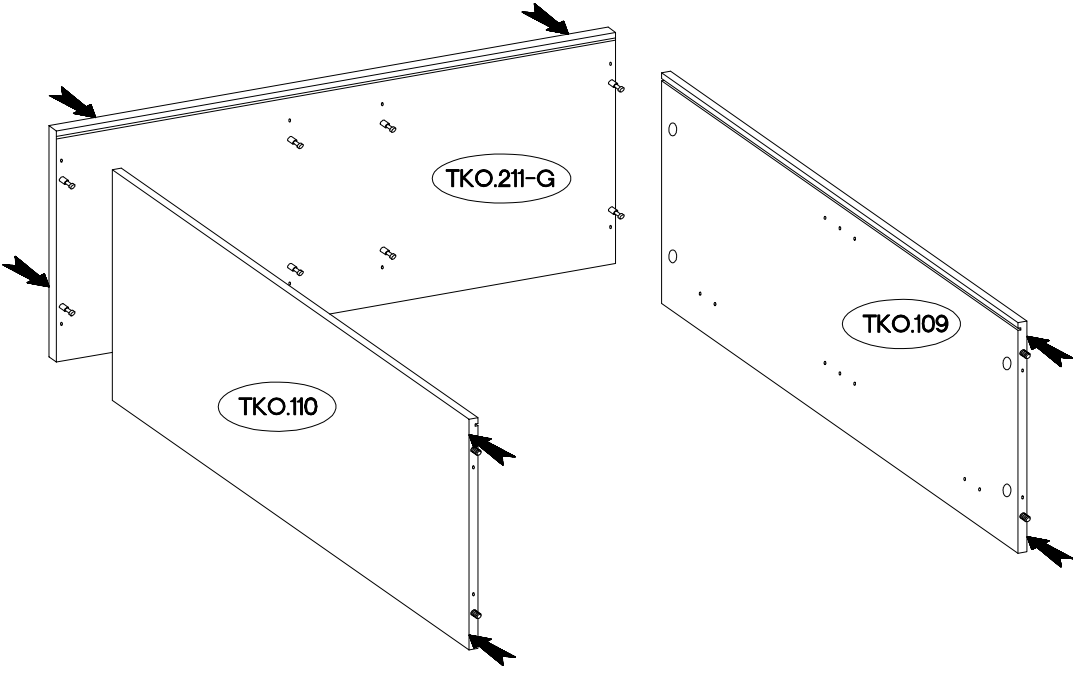
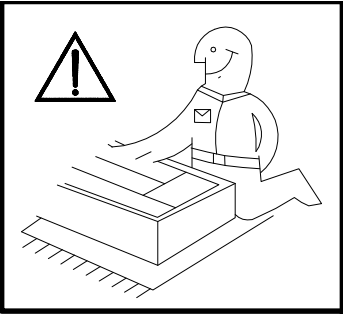
7



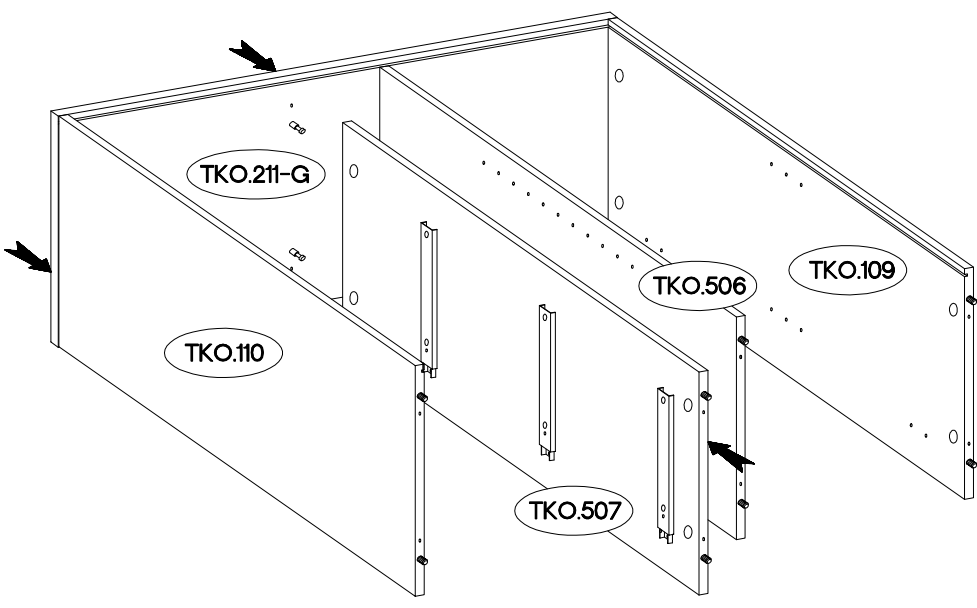
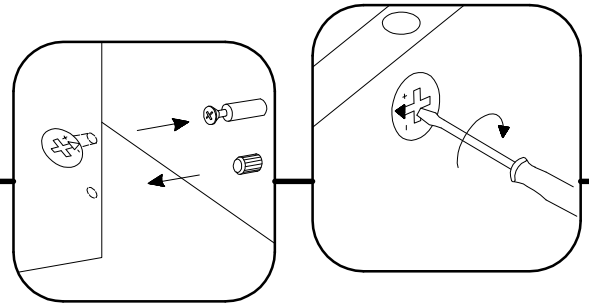
8

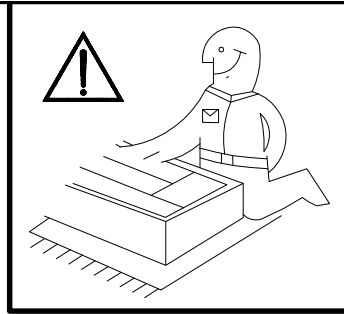
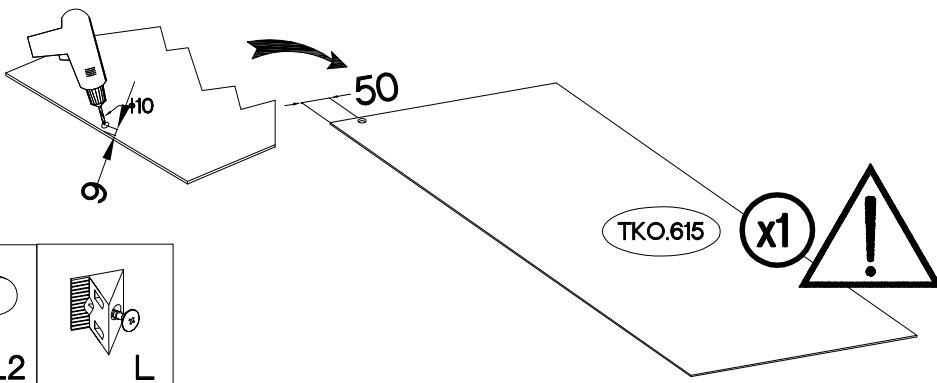


9

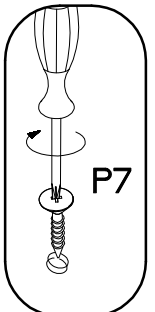
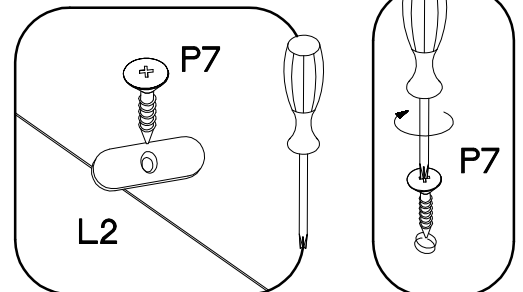
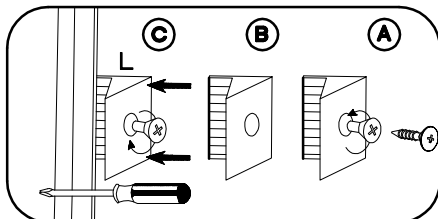
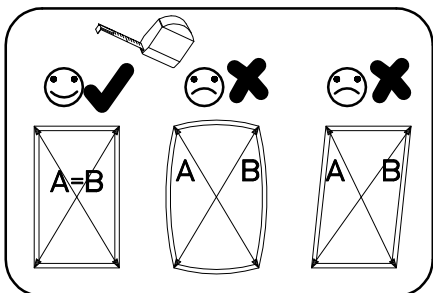
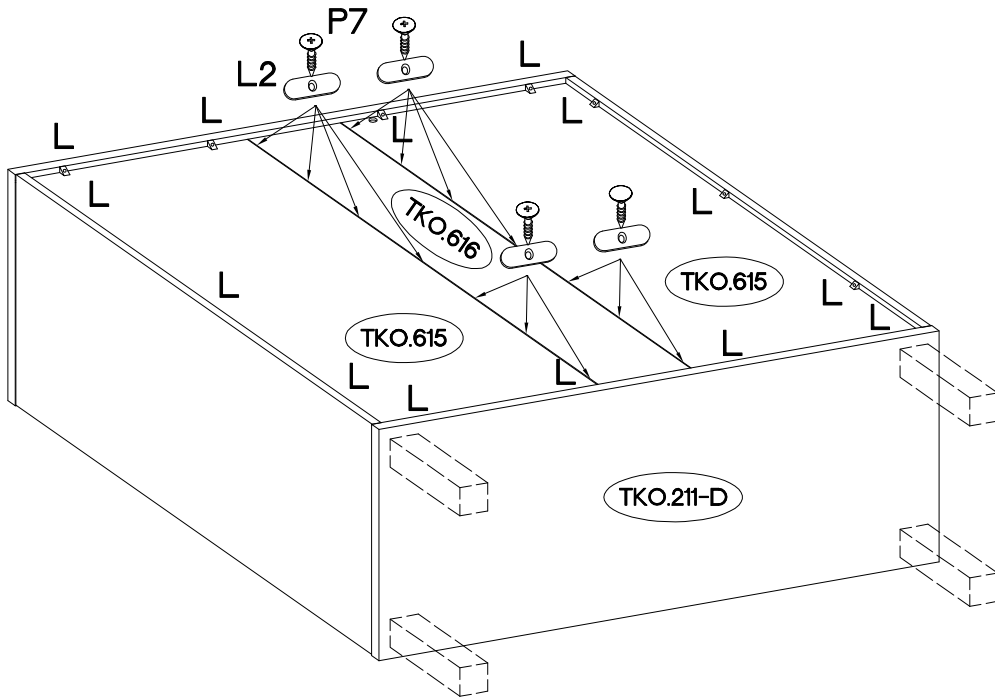
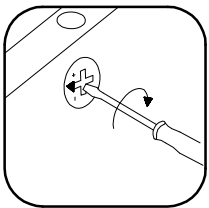
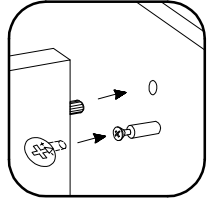
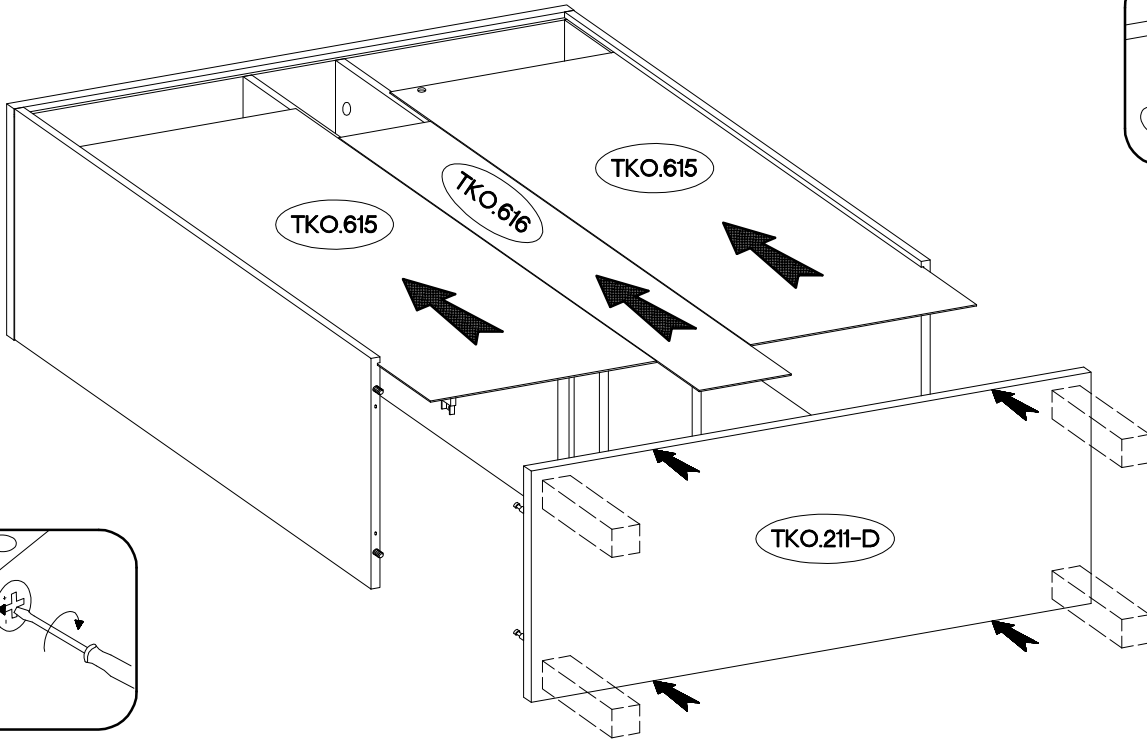


10

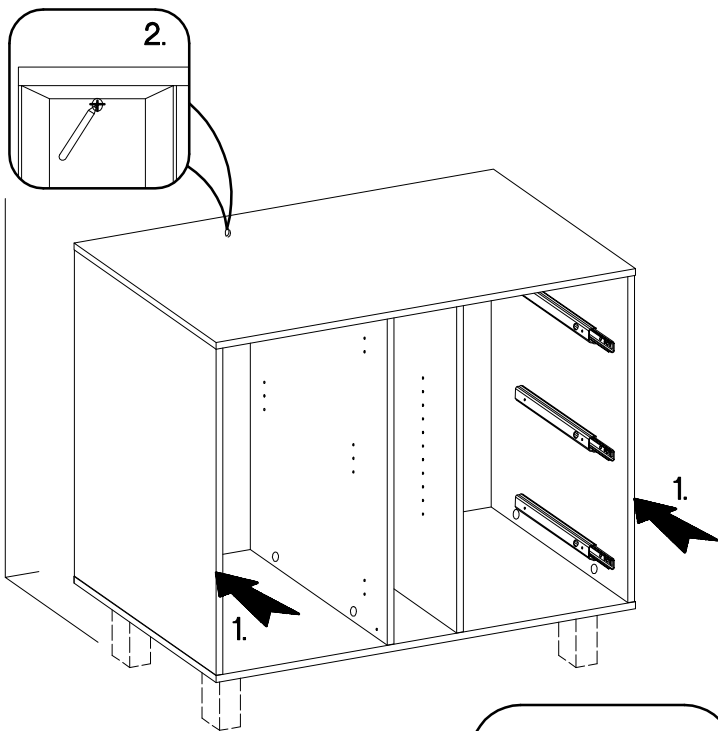







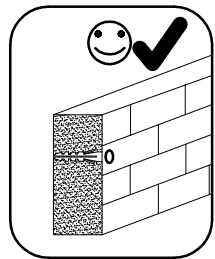
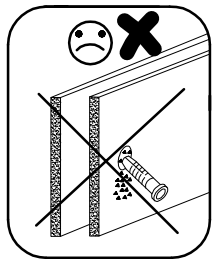
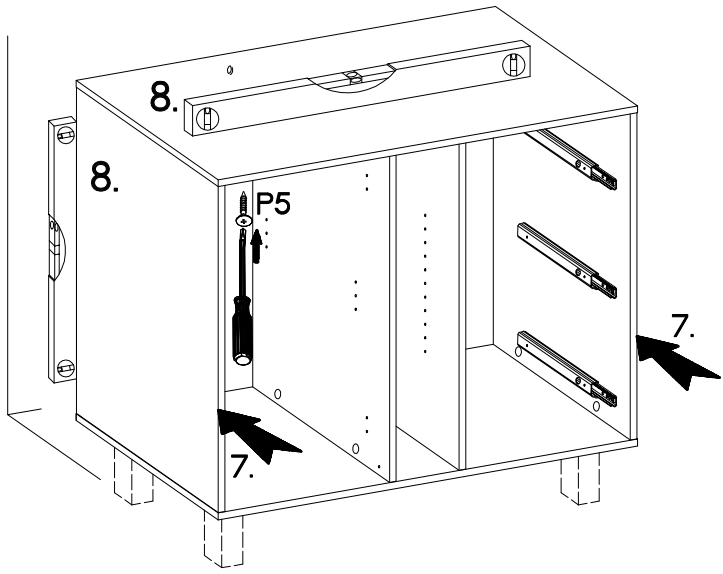
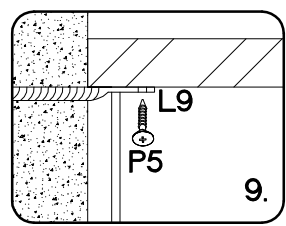
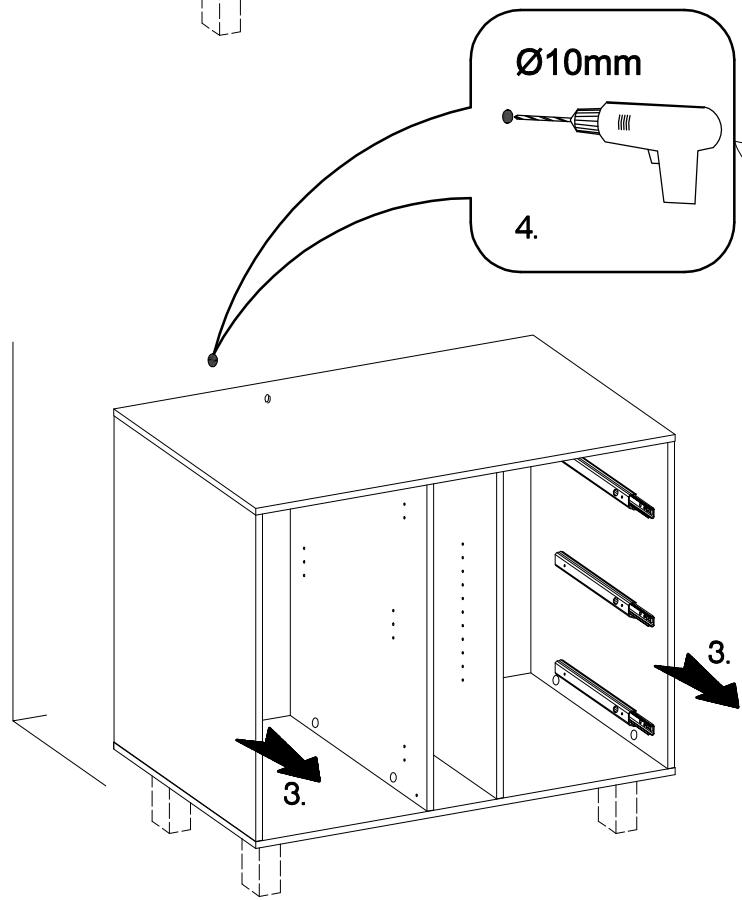
 #3.0x20mm P7 14	 L2 14	 L 14
---------------------------	--------------	-------------



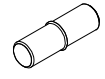


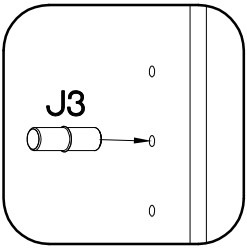
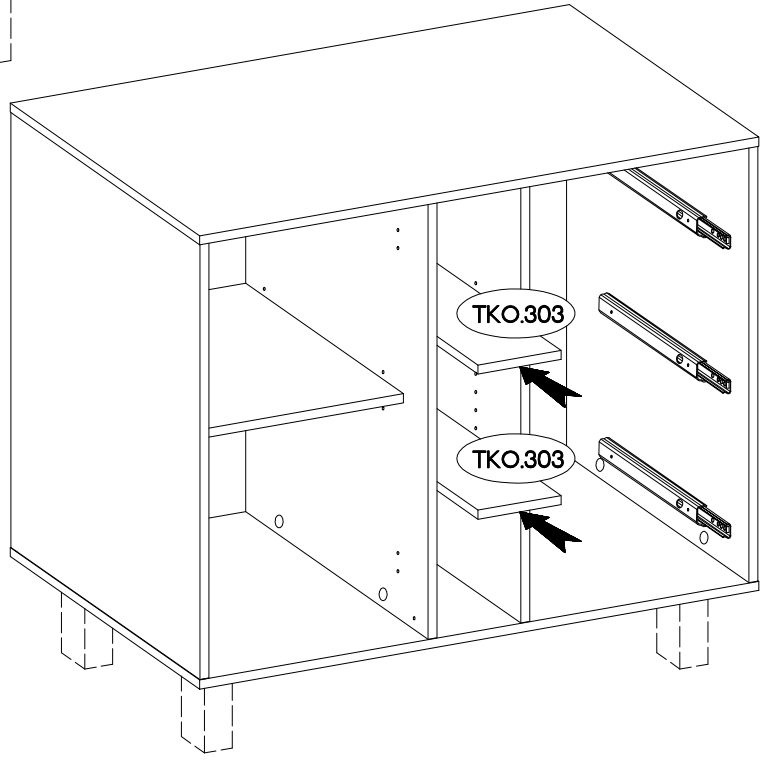
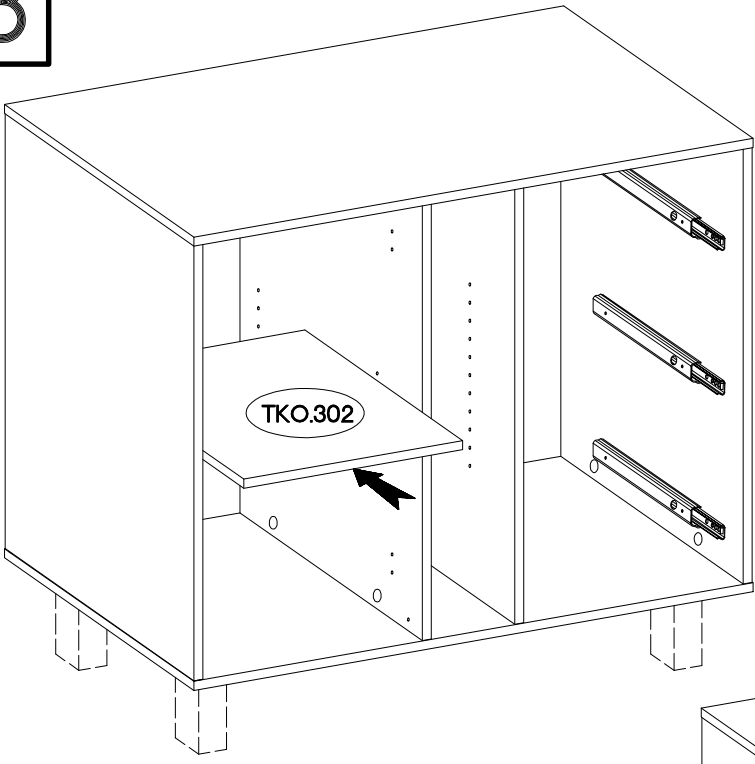


$\pm 10 \times 50 \text{mm}$ 		$\pm 3.5 \times 13 \text{mm}$ 
O7	L9	P5
1	1	1





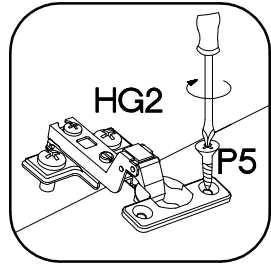
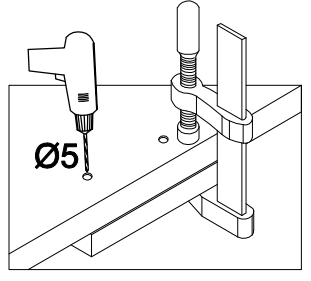
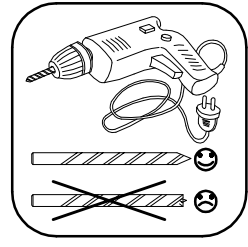
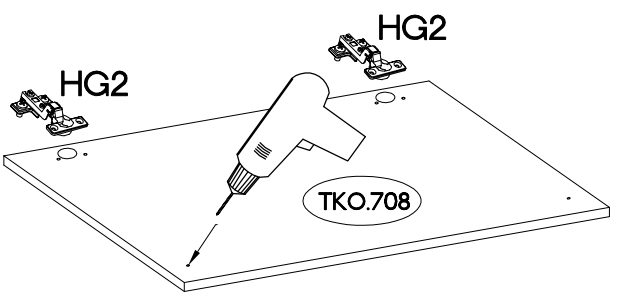
# 13

±5/16mm  
  
**J3**  
 12

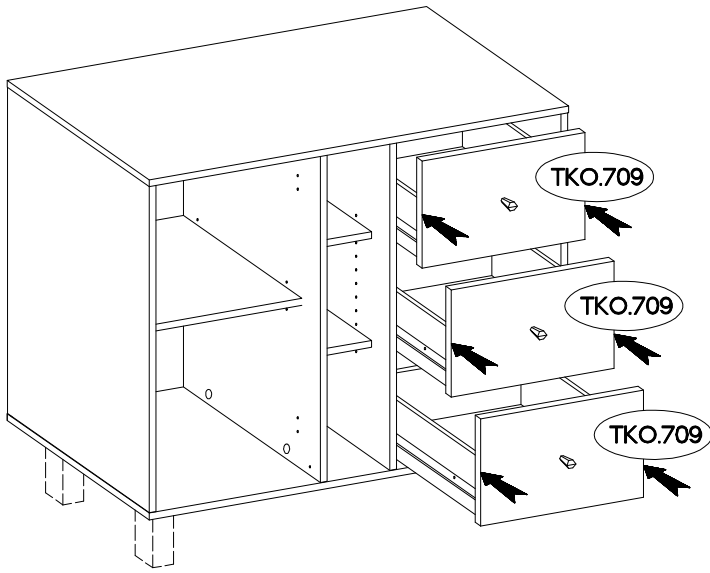


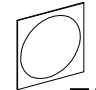

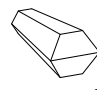

# 14

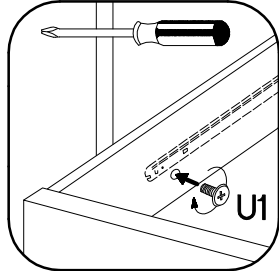
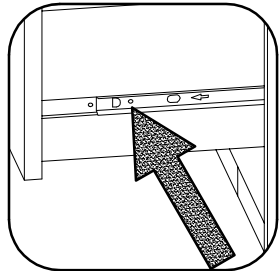
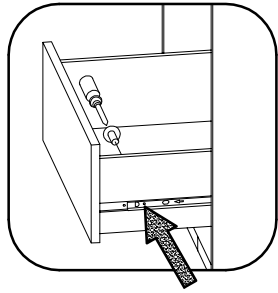
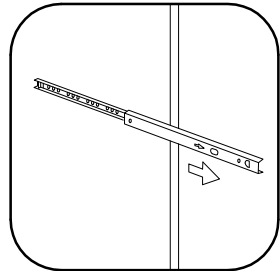
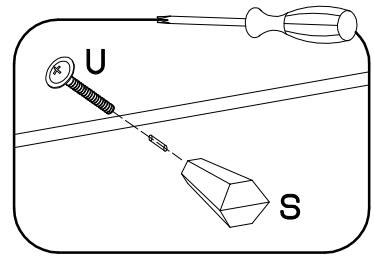
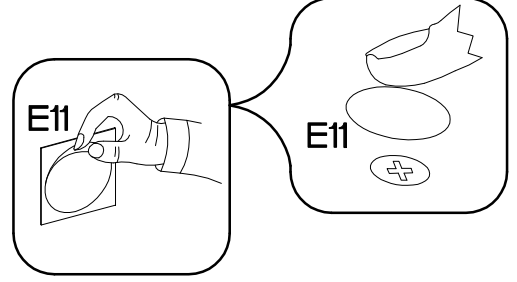
±35/16mm	±3.5x13mm
	
<b>HG2</b>	<b>P5</b>
2	4



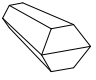

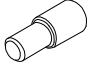
# 15



±20  E11 8	M4x9mm  U1 6	 S 3	M4x22mm  U 3
---	---	--	---



# 16

 S 1	M4x22mm  U 1	 J12 1
---	--	---

