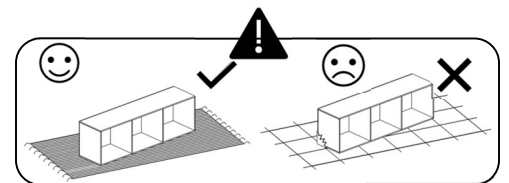
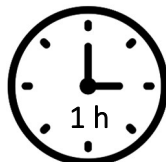
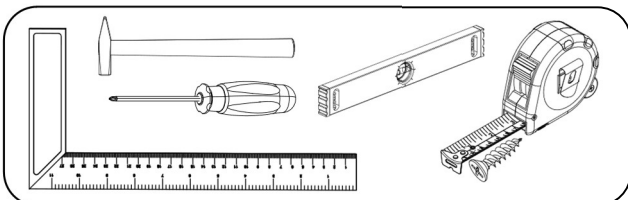
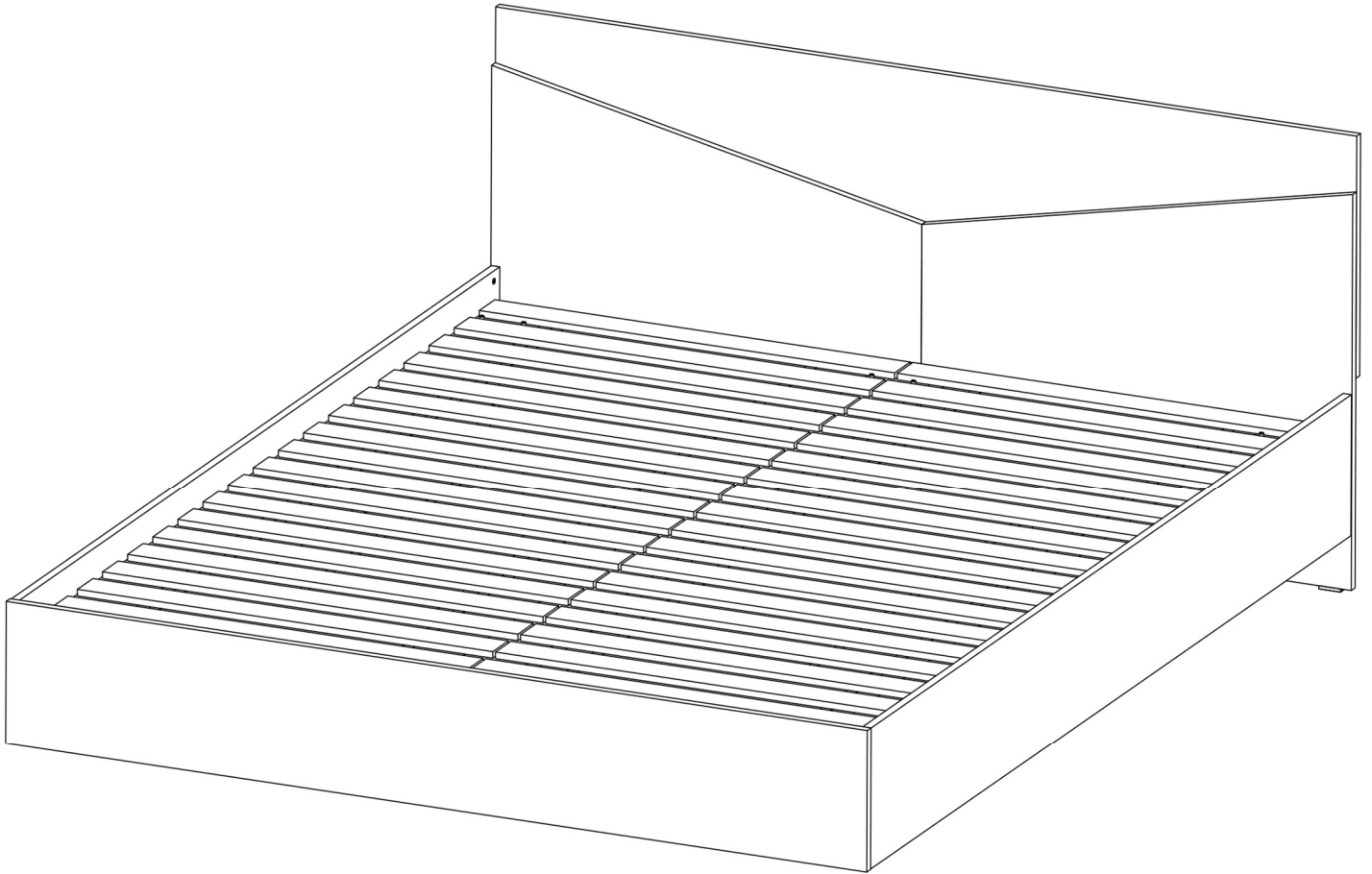
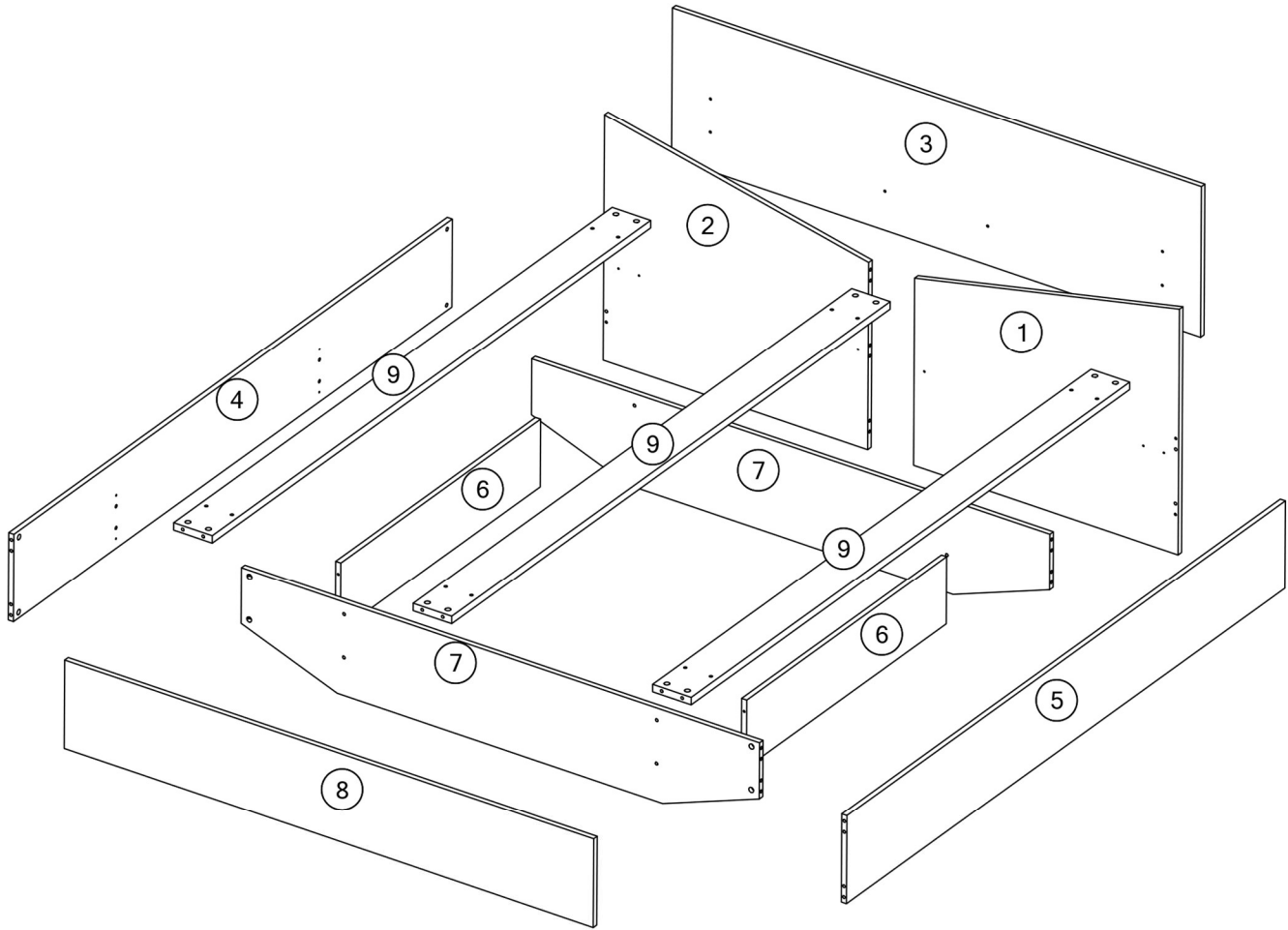
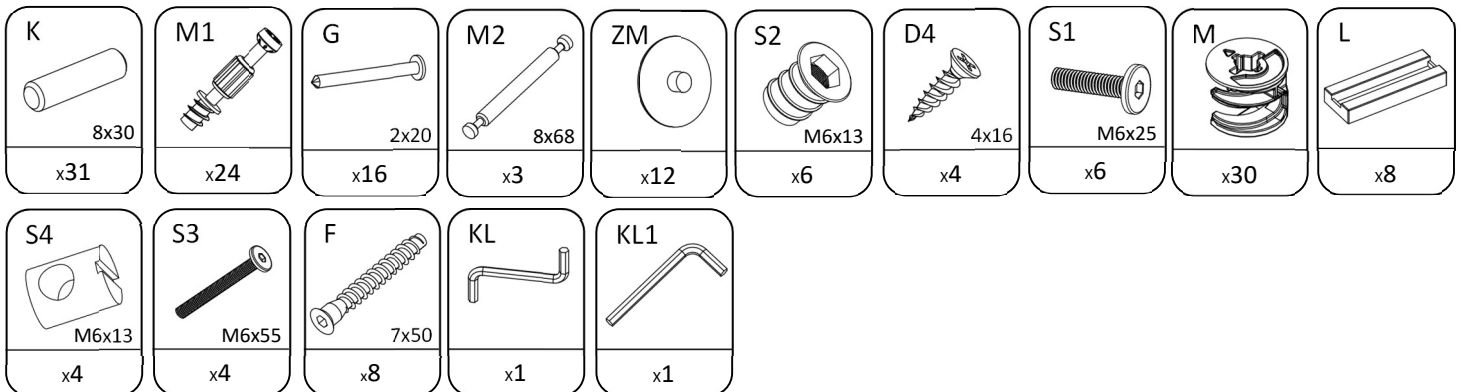
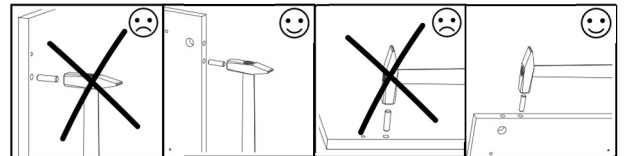
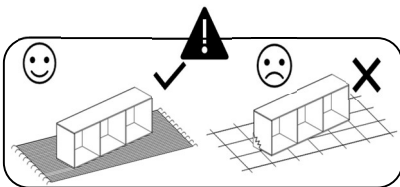


óko 160 Atson

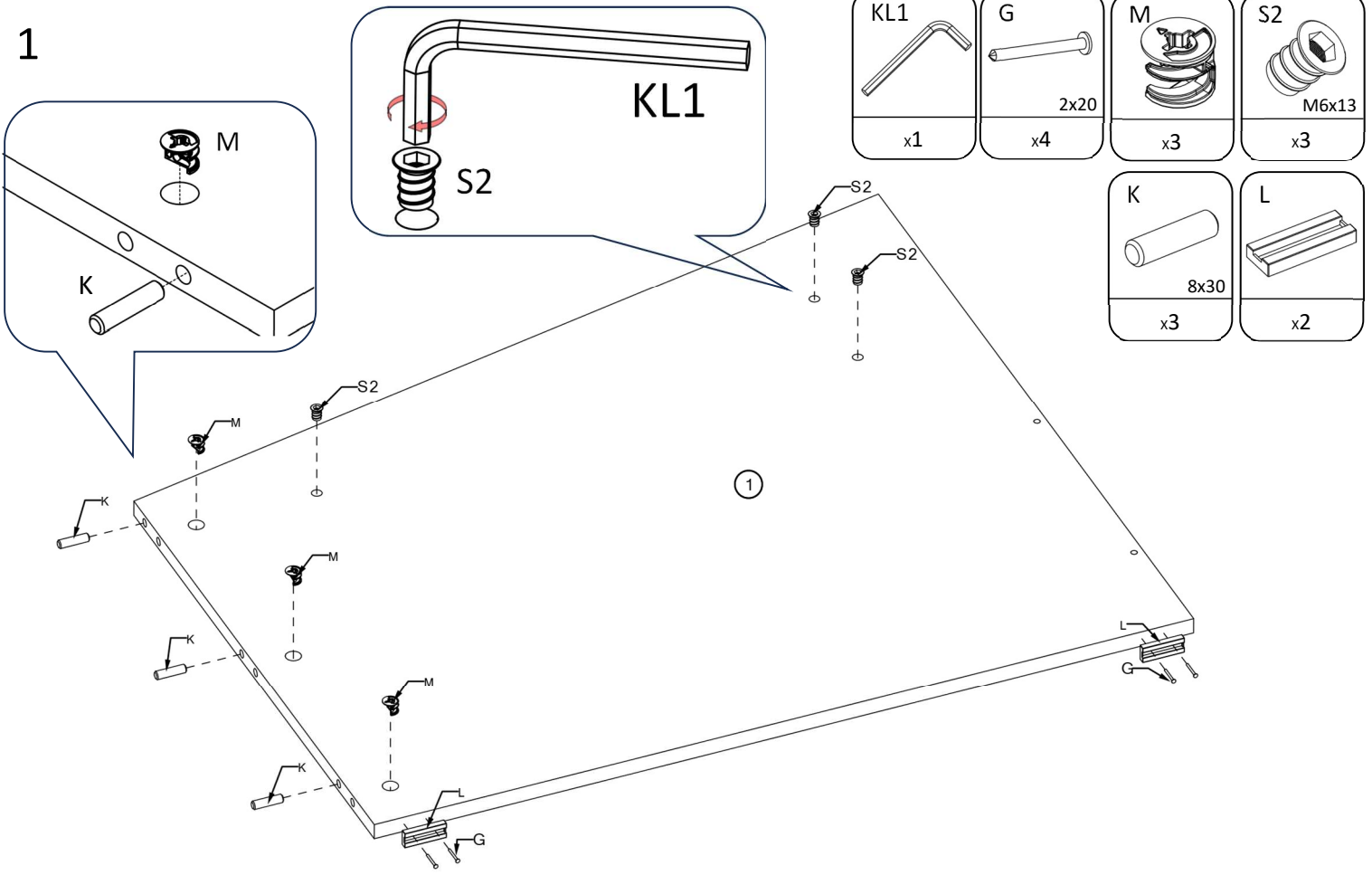




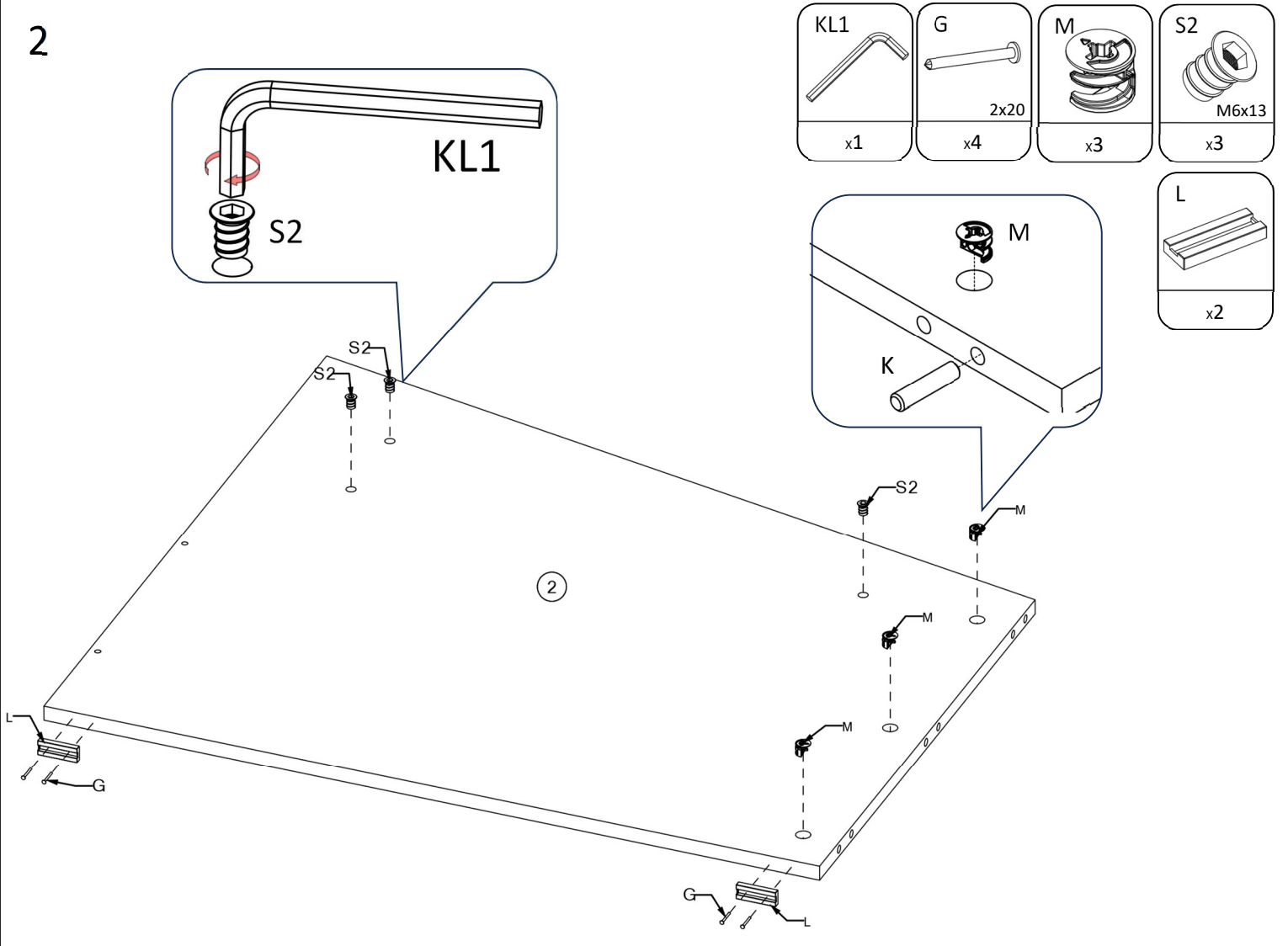
| No | T(mm) | L(mm) | W(mm) | Stc. |
|----|-------|-------|-------|------|
| 1 | 16 | 824 | 728 | 1 |
| 2 | 16 | 824 | 728 | 1 |
| 3 | 16 | 1648 | 445 | 1 |
| 4 | 16 | 2010 | 260 | 1 |
| 5 | 16 | 2010 | 260 | 1 |
| 6 | 16 | 916 | 200 | 2 |
| 7 | 16 | 1614 | 276 | 2 |
| 8 | 16 | 1648 | 261 | 1 |
| 9 | 22 | 2010 | 120 | 3 |



1



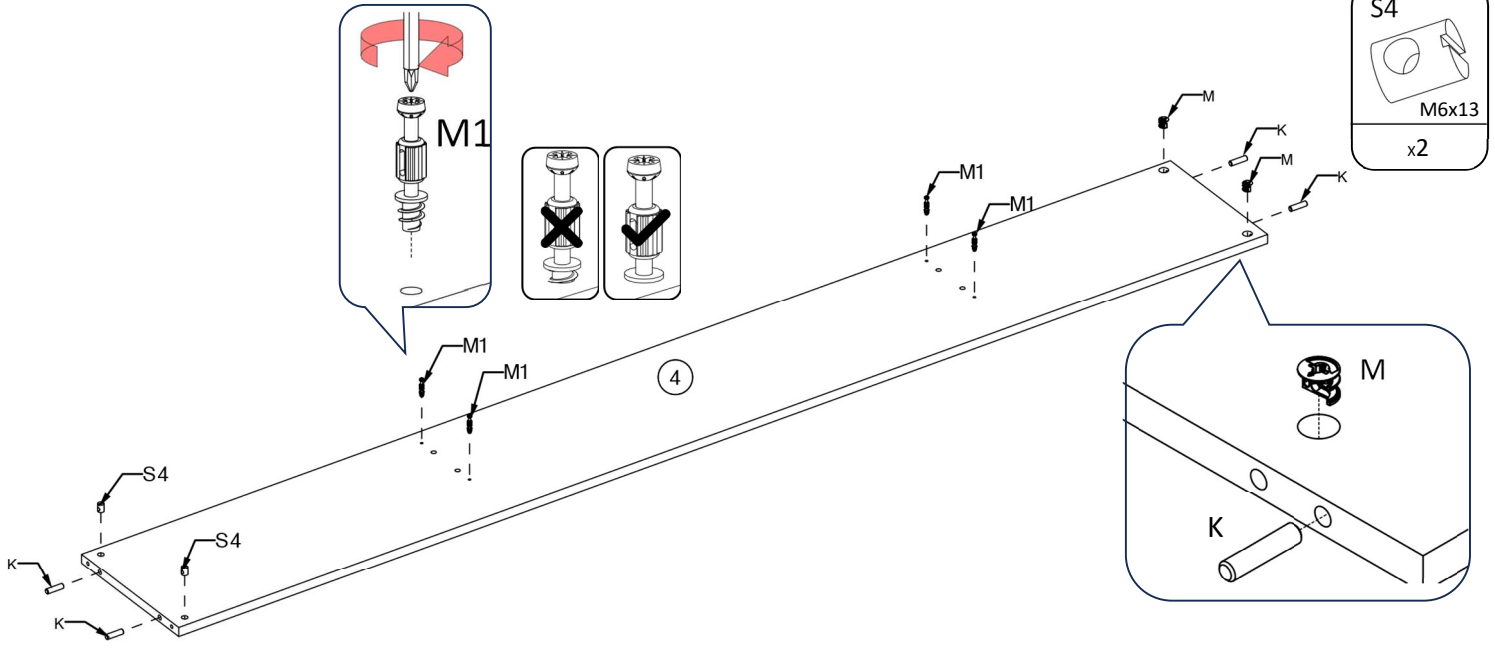
2



3

| | | |
|-----------------|---------|----------|
| K 8x30 x4 | M x2 | M1 x4 |
|-----------------|---------|----------|

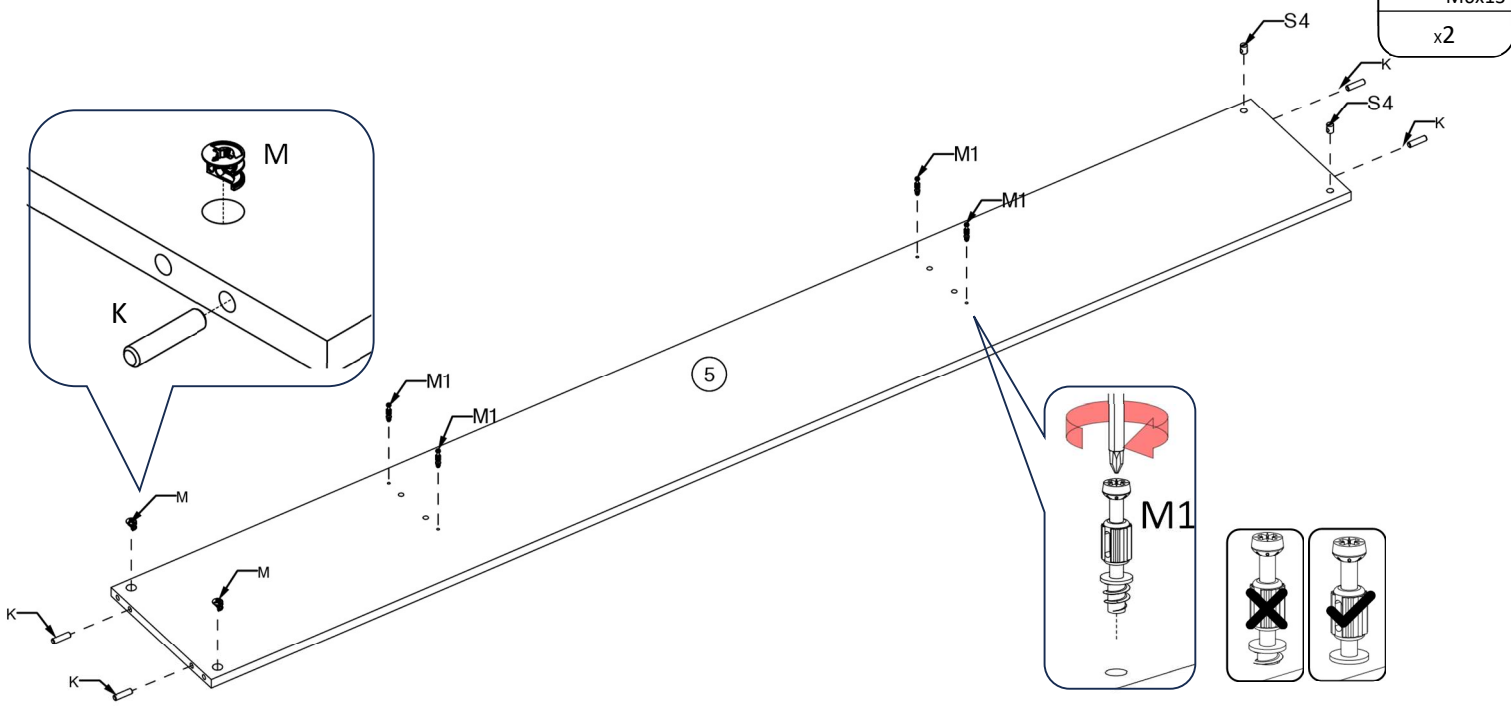
| |
|-------------------|
| S4 M6x13 x2 |
|-------------------|



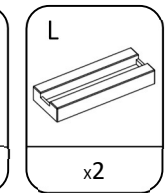
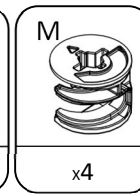
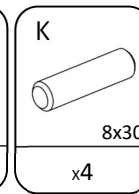
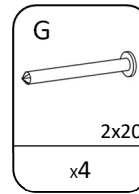
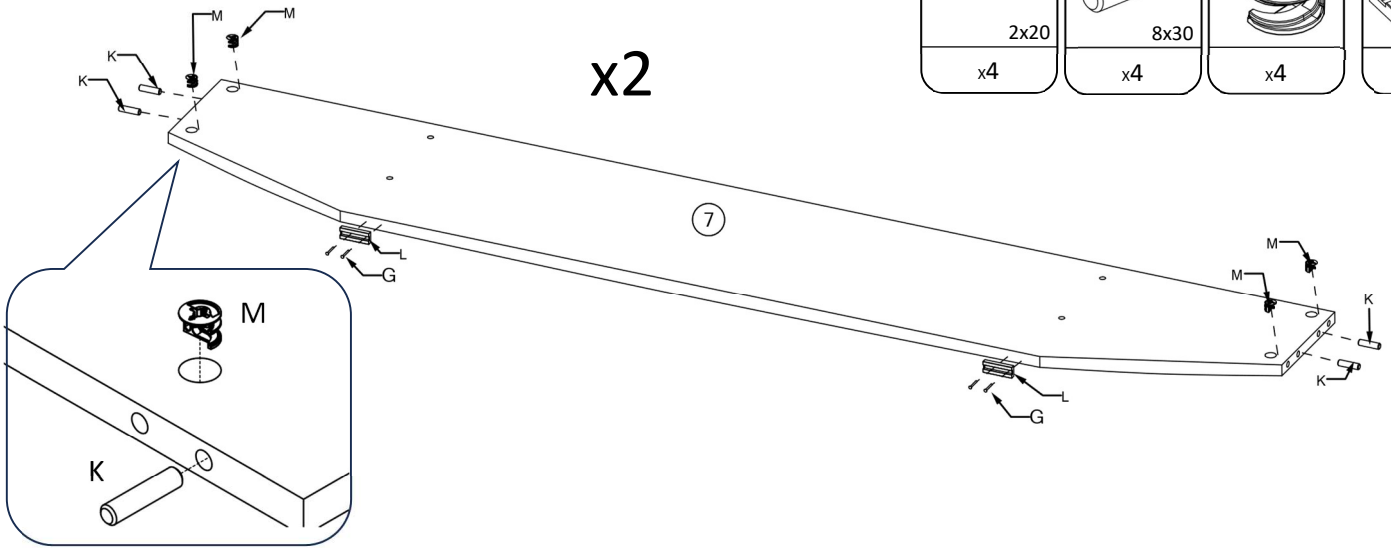
4

| | | |
|-----------------|---------|----------|
| K 8x30 x4 | M x2 | M1 x4 |
|-----------------|---------|----------|

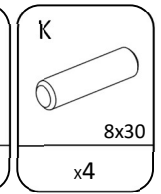
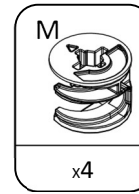
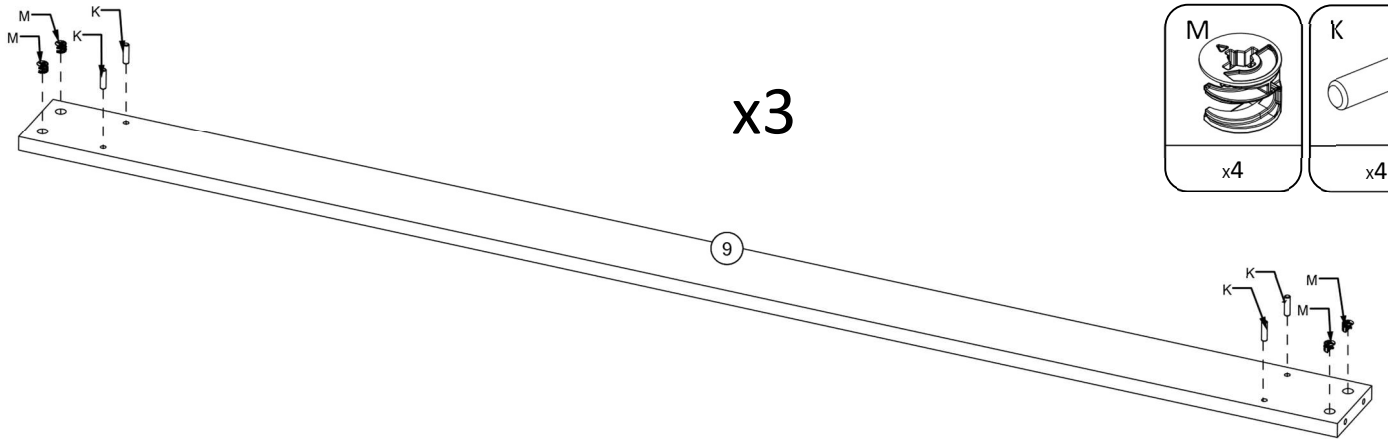
| |
|-------------------|
| S4 M6x13 x2 |
|-------------------|



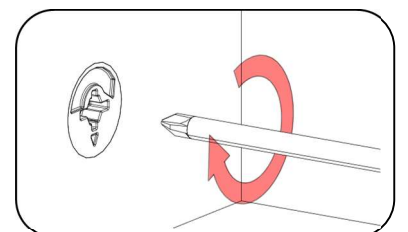
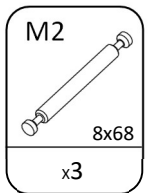
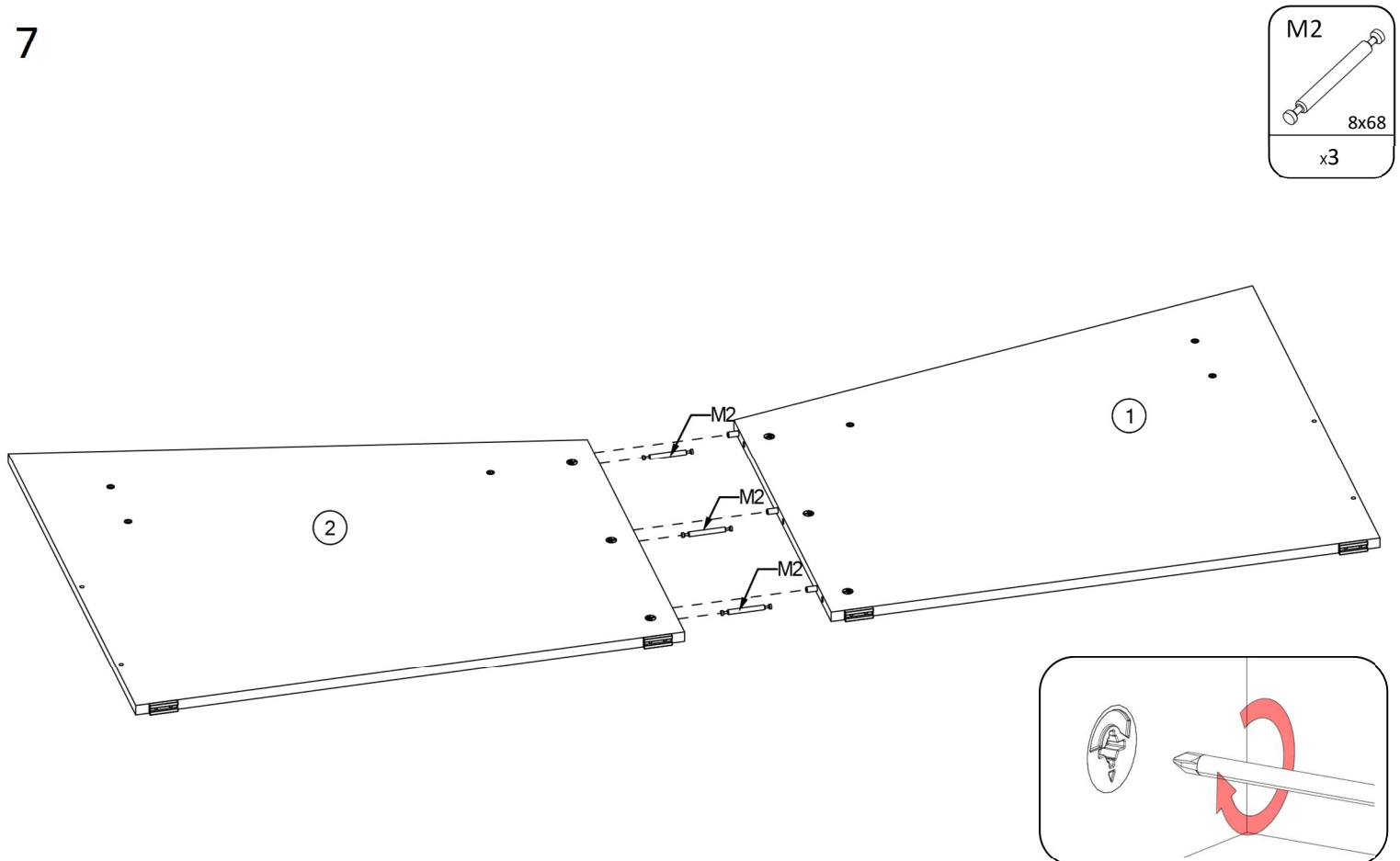
5



6



7



8

S1

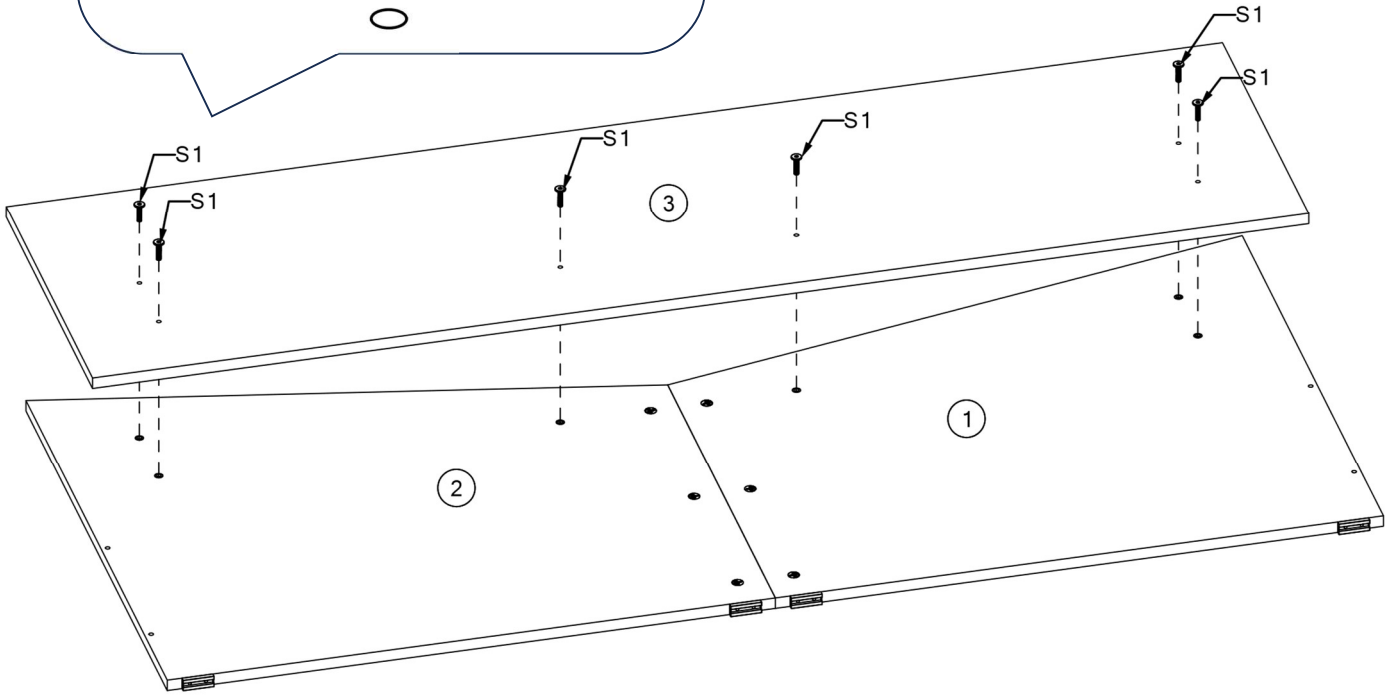


M6x25

x6

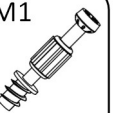
KL

S1



9

M1

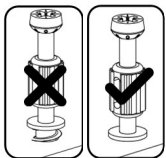
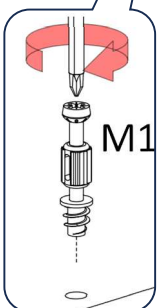


x4

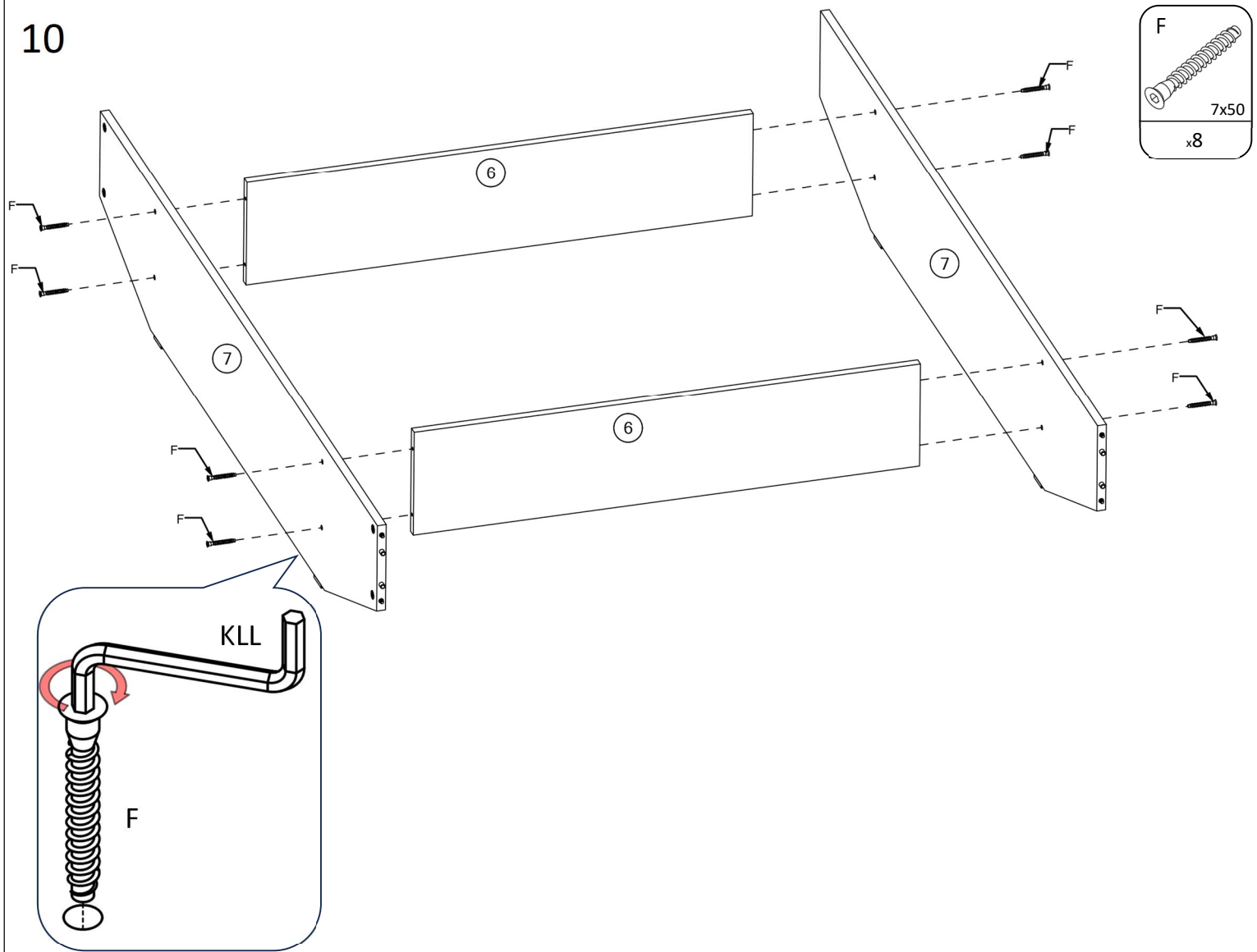
M1

M1

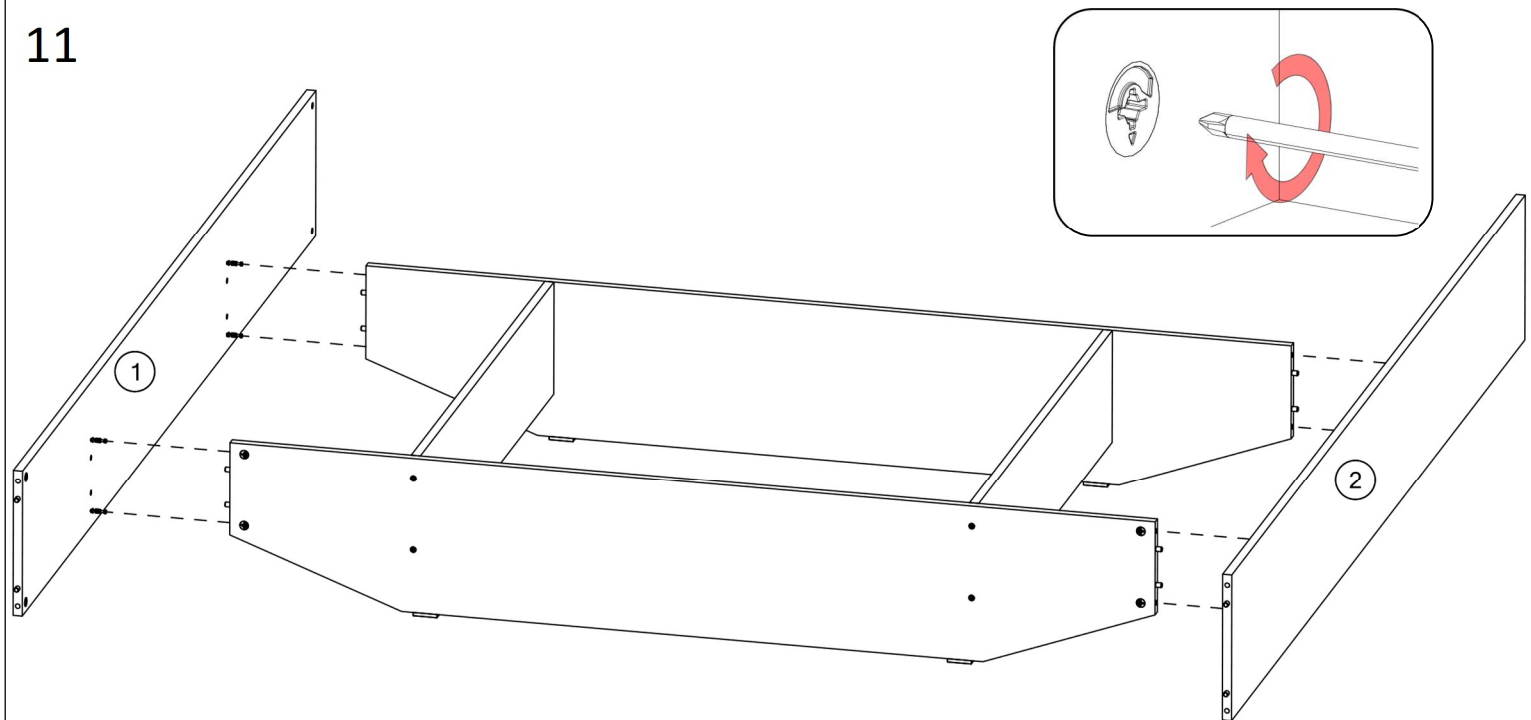
M1



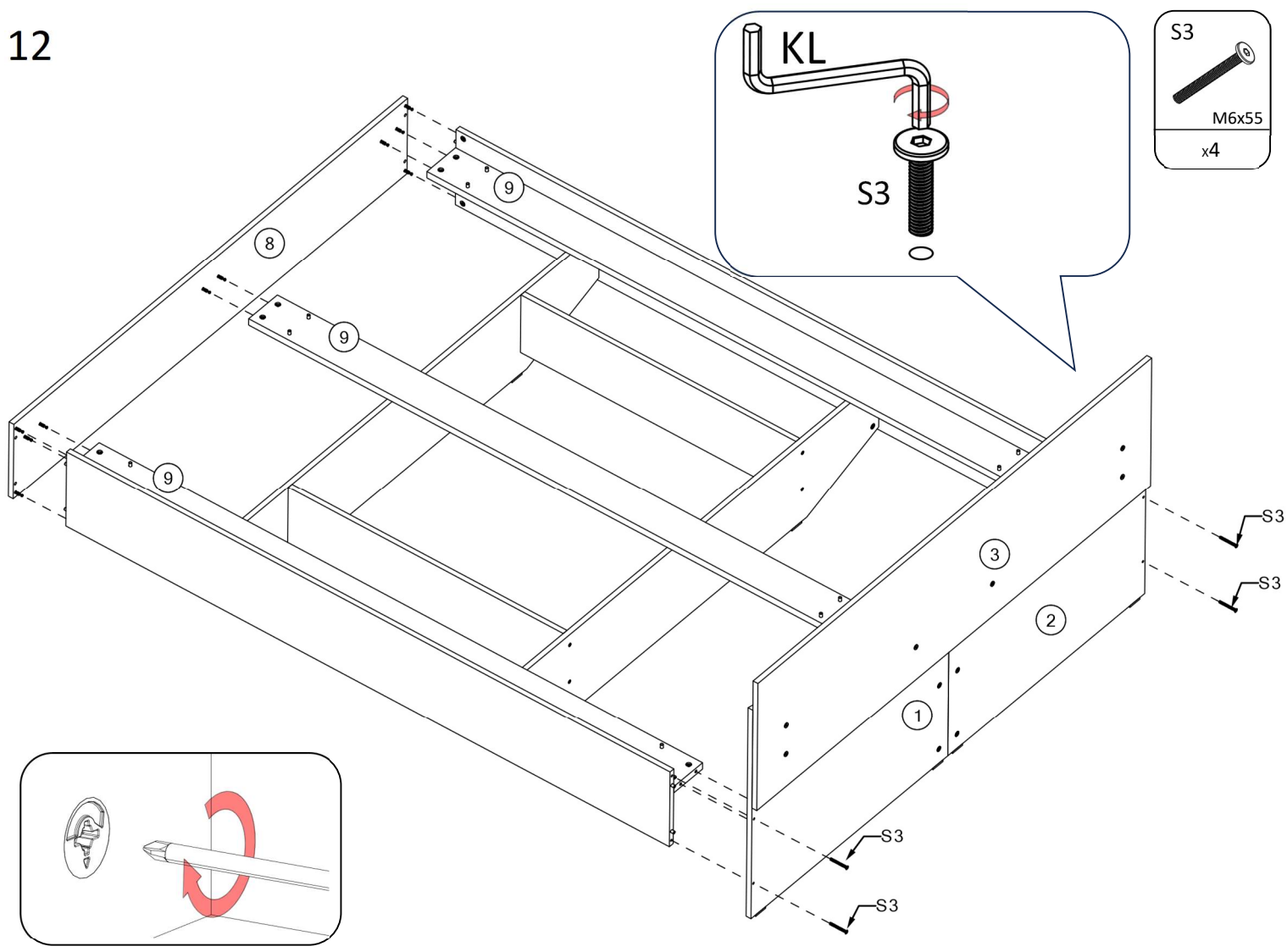
10



11



12



13

