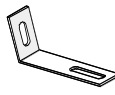
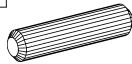


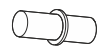
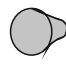

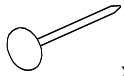
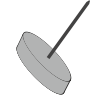
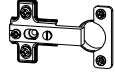

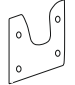


Evi 09

| | | | |
|---|--|--|---|
| T  x1 | B  x23 | C  x20 | D  x20 |
| E  x12 | F  x2 | G 4x27  x2 | H  x50 |
| I  x6 | L  x6 | K 3.5x16  x22 | M.  x2 |

