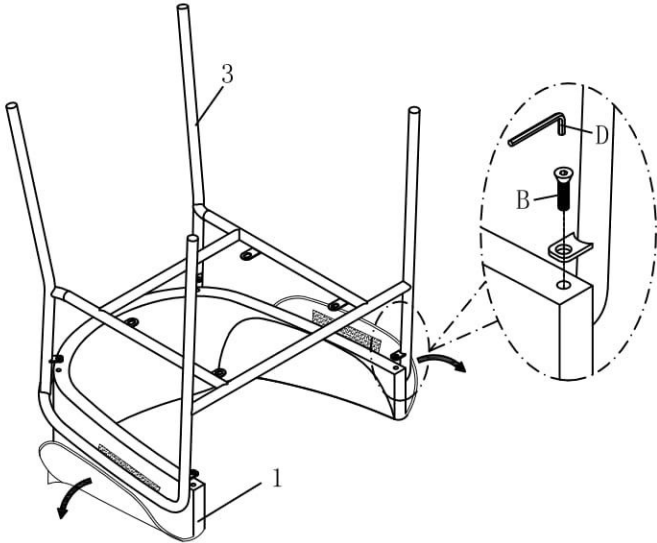


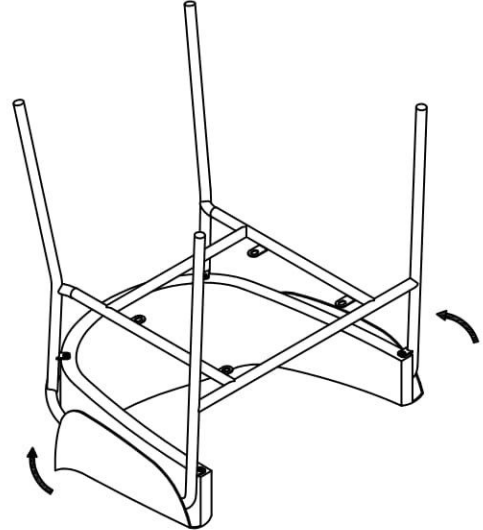
ASSEMBLY INSTRUCTION

SLAM

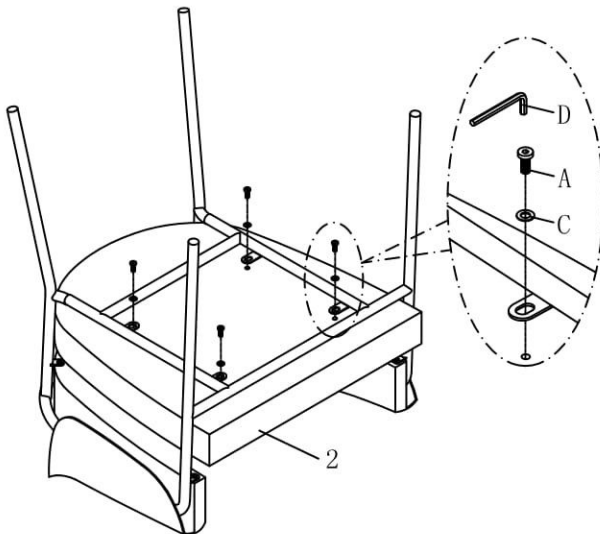
STEP 1



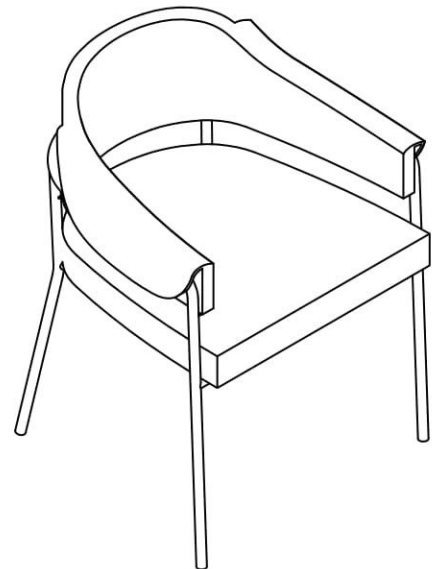
STEP 2



STEP 3



FINISH



PARTS IDENTIFICATION

NO	Part	Sketch	Q' TY
1	Back		1PC
2	Seat board		1PC
3	Leg		1PC

HARDWARE LIST:

NO	Shape	Specification	Q' TY
A		M6x15mm	4pcs
B		M6x40mm	4pcs
C		$\phi 16 * \phi 6.5$	4pcs
D		Allen Wrench	1pc

Do not tighten screws until completely assembled.