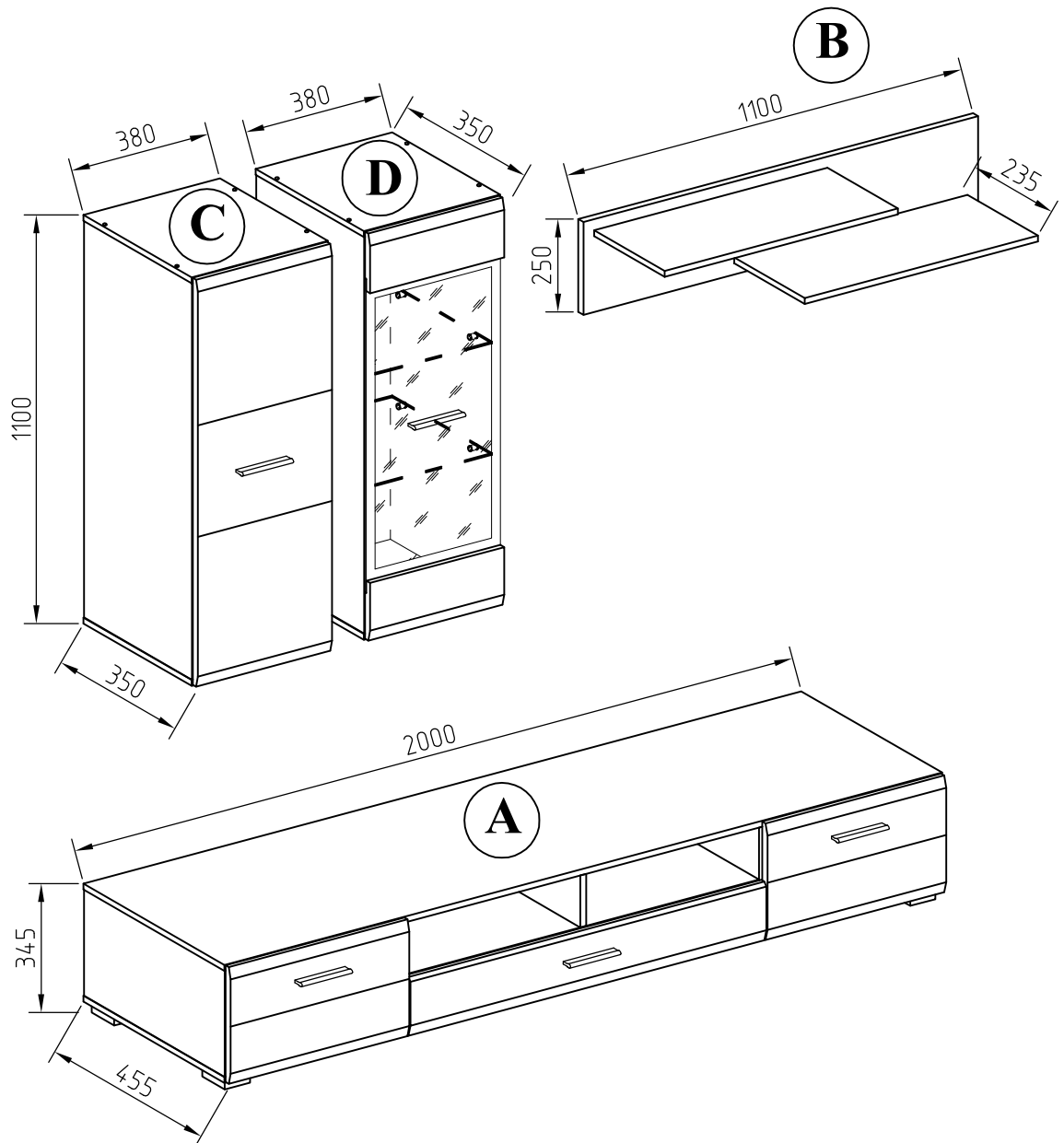
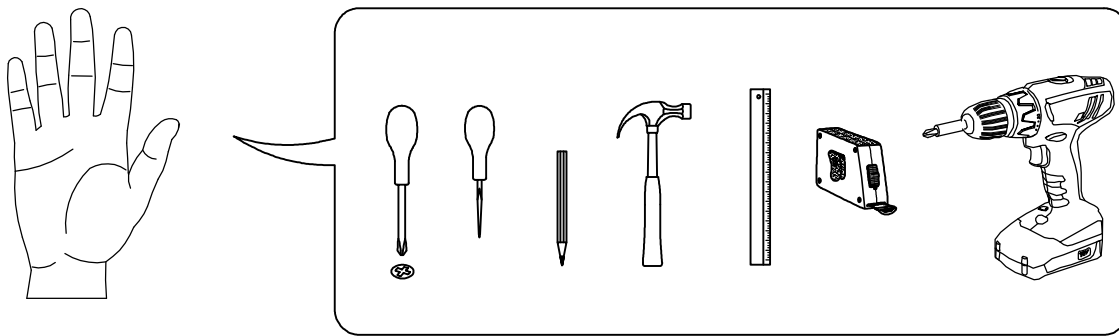


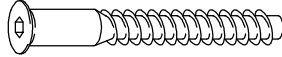
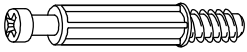
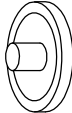


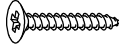




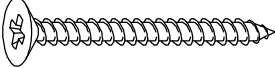

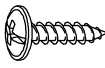
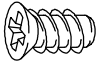
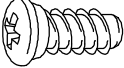

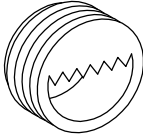
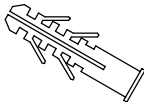
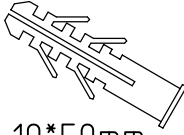
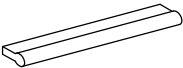
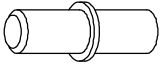
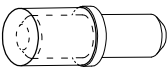
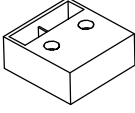
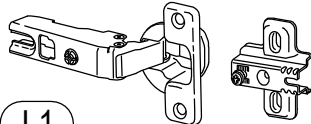
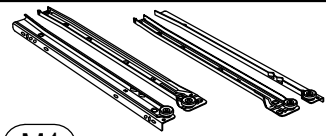

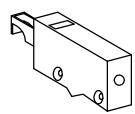
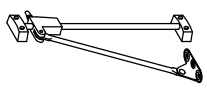
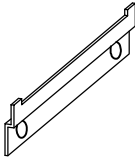
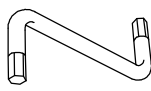

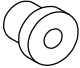


ROSSI 2





 A1 8*30mm x56	 B x30	 B1 6,3*50mm x30
 C1 5*30mm x22	 D x22	 D1 16mm x22
 E2 3*13mm x2	 E3 3*20mm x16	 E4 3,5*16 x42
 E11 4*30mm x8	 E12 4*35mm x12	 E15 4*60mm x2
 E21 6*60mm x8	 Ea1 3,5*27mm x8	 Ea2 4,2*16mm x16
 F2 6,3*13mm x16	 F3 6,3*13mm x2	 H2 x20
 H4 x2	 H5 8*50mm x2	 H6 10*50mm x8
 I9 x5	 J1 5*16mm x8	 J4 5*16mm x8

 <p>K4 x6</p>	 <p>L1 x8</p>	 <p>M1 L- 400mm x1</p>
 <p>M4 L-383mm x1</p>	 <p>N1 x4</p>	 <p>N4 2R+2L x4</p>
 <p>O4 x4</p>	 <p>R4 N°4 x1</p>	 <p>U3 x10</p>
 <p>U7 x8</p>		

A

No	a*b	x	N°→...
1L	286x438	x1	3/5
1R	286x438	x1	3/5
2L	286x424	x1	3/5
2R	286x424	x1	3/5
3	140x424	x1	1/5
4	2000x438	x1	1/5
5	2000x438	x1	1/5
6	980x424	x1	3/5
7	498x314	x2	2/5
8	992x164	x1	1/5
9L	400x110	x1	3/5
9R	400x110	x1	3/5
10	922x110	x1	1/5
11	931x393	x1	3/5
12	1975x295	x1	1/5

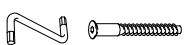
B

No	a*b	x	N°→...
1	1100x250	x1	1/5
2	650x219	x2	1/5

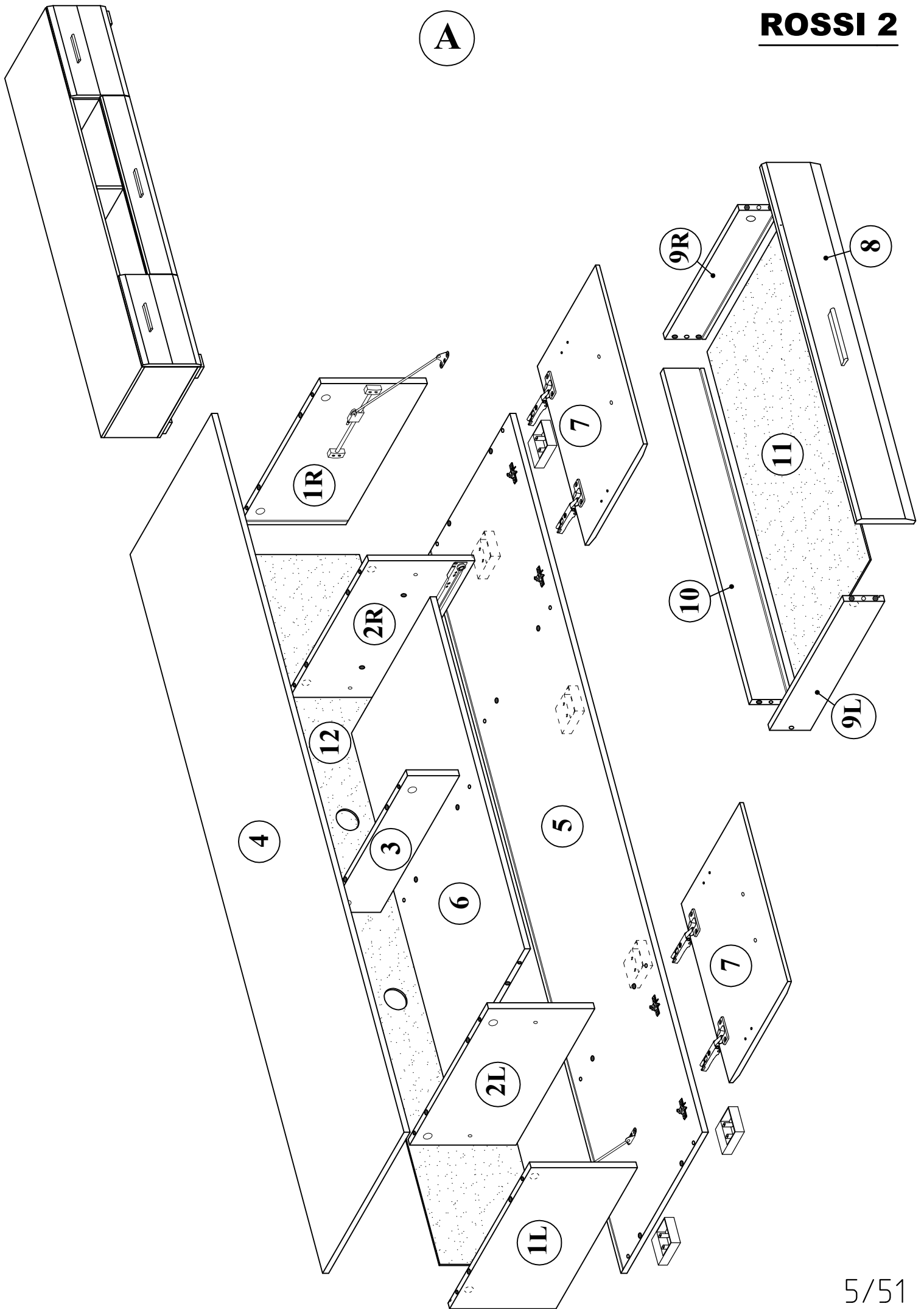
C





No	a*b	x	N°→...
1L	1068x336	x1	4/5
1R	1068x336	x1	4/5
2	380x336	x1	4/5
3	380x336	x1	4/5
4	345x312	x2	3/5
5	1096x374	x1	1/5
6	1077x355	x1	1/5

D

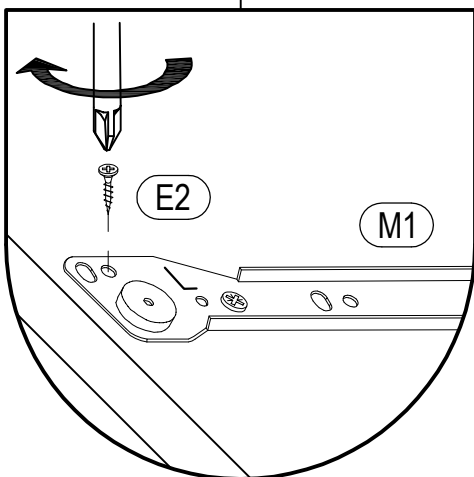
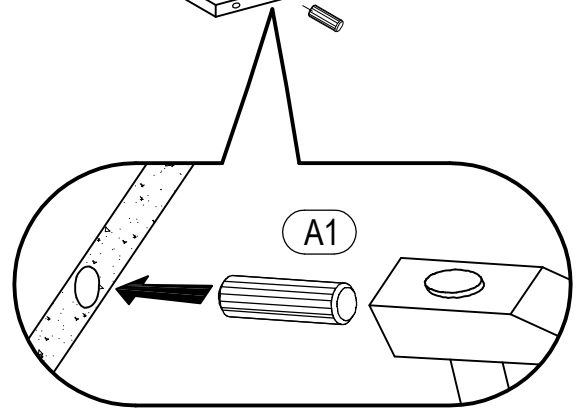
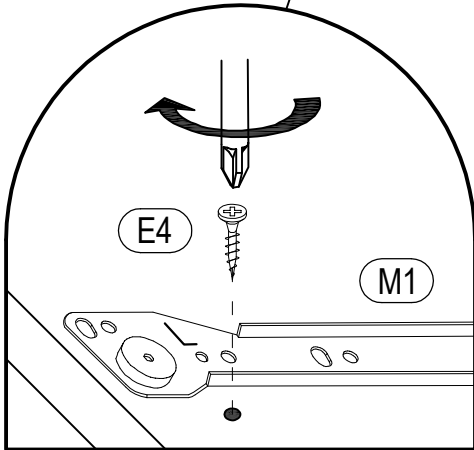
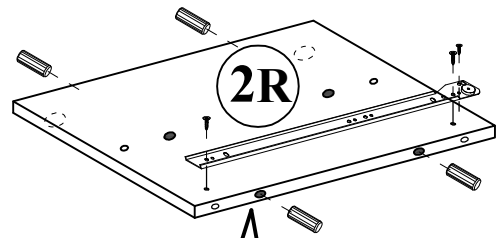
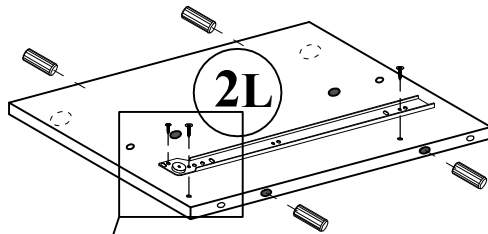
No	a*b	x	N°→...
1L	1068x336	x1	4/5
1R	1068x336	x1	4/5
2	380x336	x1	4/5
3	380x336	x1	4/5
4	345x312	x2	5/5
5a	158x374	x1	4/5
5b	158x374	x1	4/5
5c	844x375	x1	5/5
6	1077x355	x1	1/5
		x1	2/5


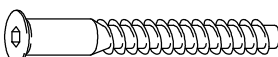
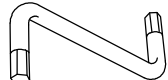
A



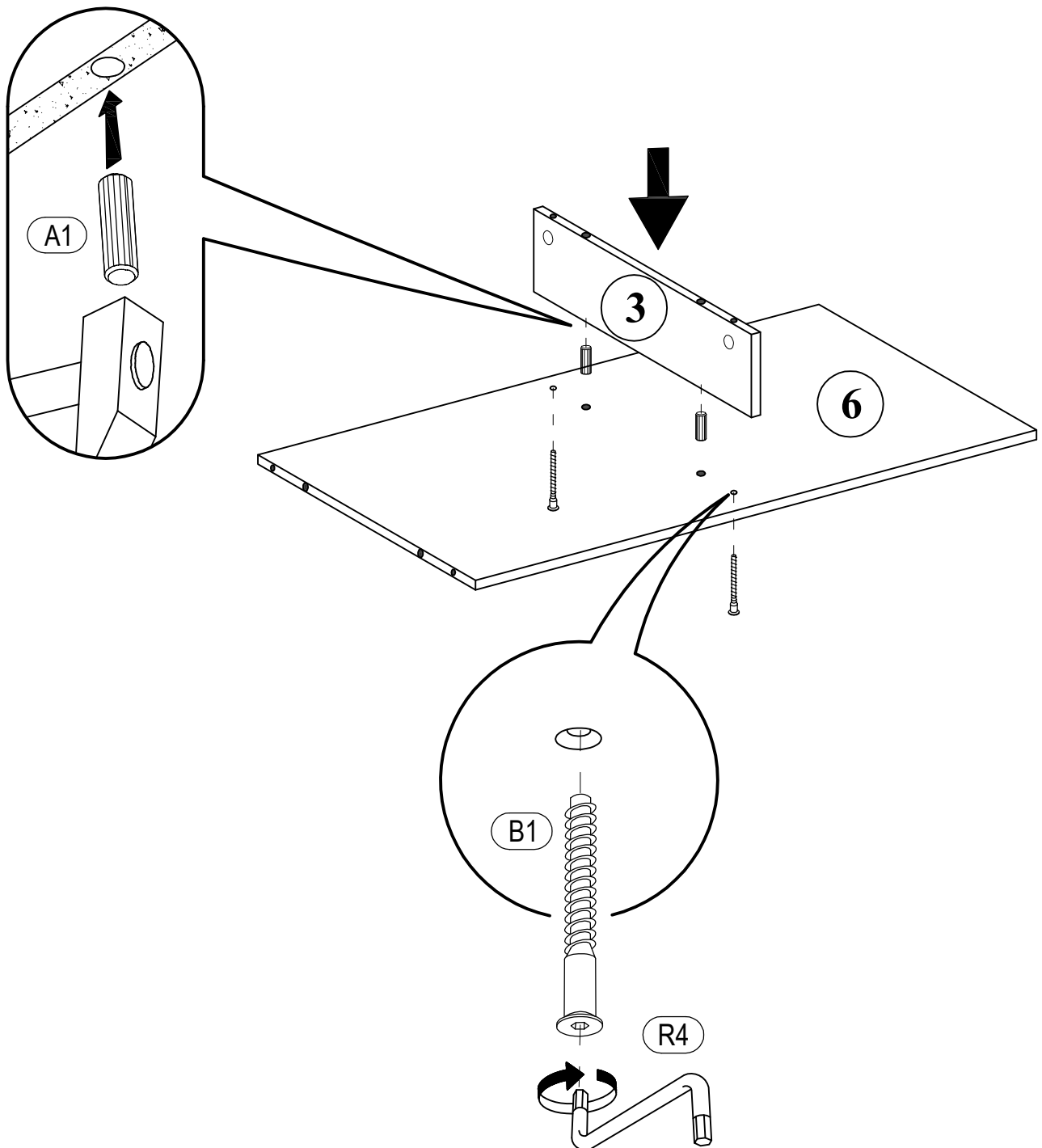
 A1 8*30mm x8	 E2 3*13mm x2	 E4 3,5*16mm x4
		 M1 L- 400mm x1



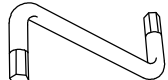
1



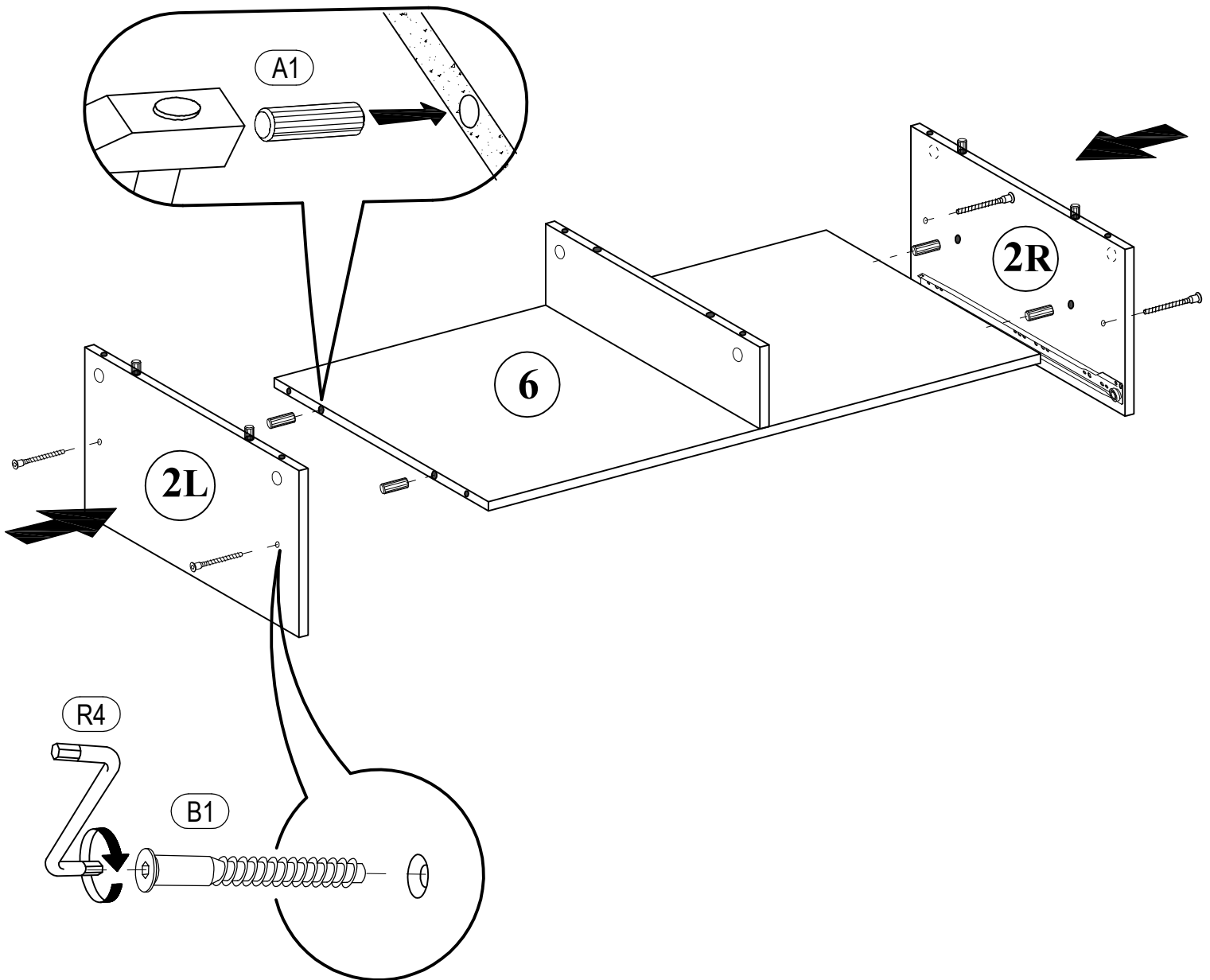
 (A1) 8*30mm x2	 (B1) 6,3*50mm x2	 (R4) N°4 x1
--	--	---


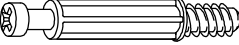

2



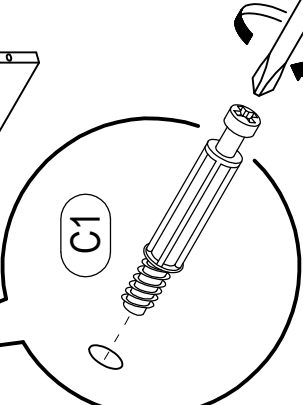
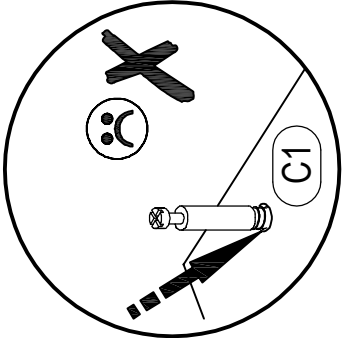
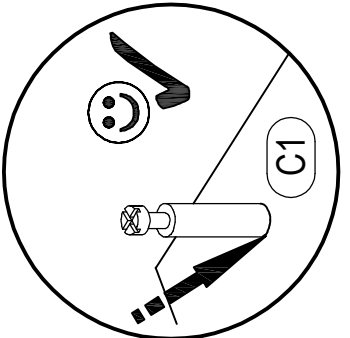
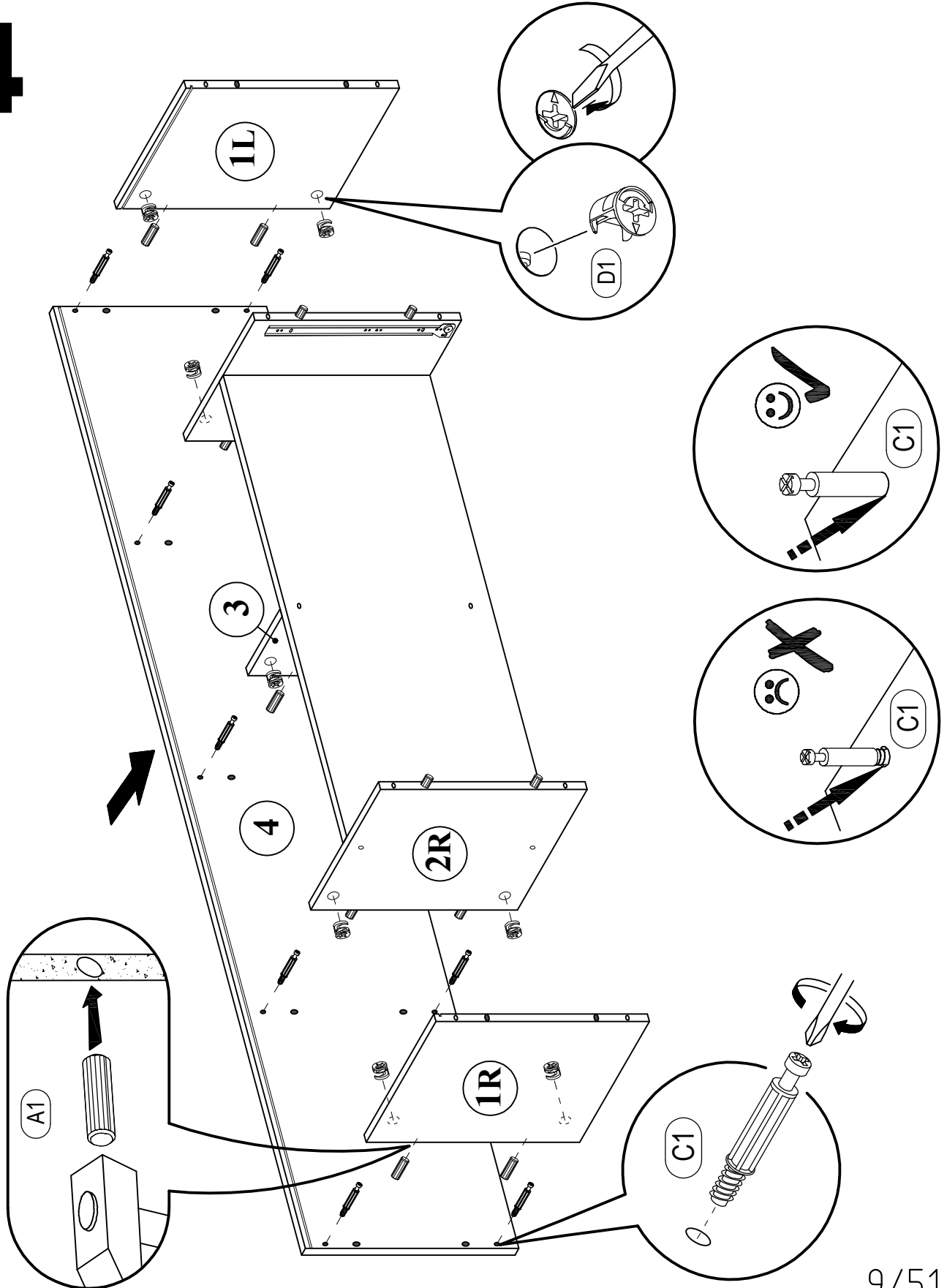
 A1 8*30mm x4	 B1 6,3*50mm x4	 R4 N°4 x1
---	---	--

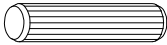
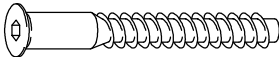
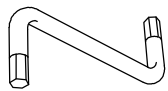
3



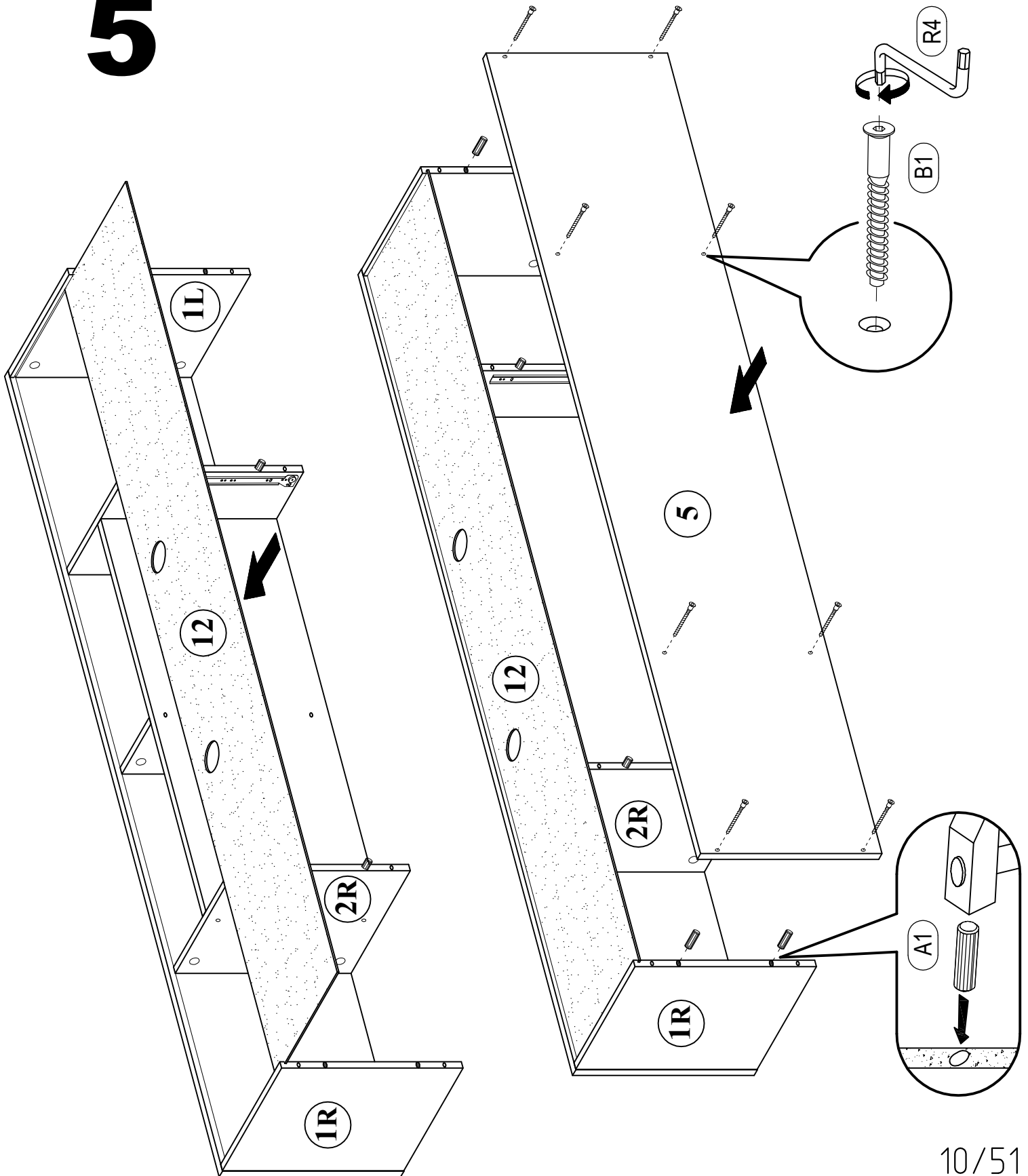
 A1 8*30mm x6	 C1 5*30mm x10	 D1 16mm x10
---	--	--

4



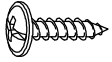
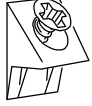
 <p>(A1) 8*30mm x4</p>	 <p>(B1) 6,3*50mm x8</p>	 <p>(R4) N°4 x1</p>
---	---	--

5

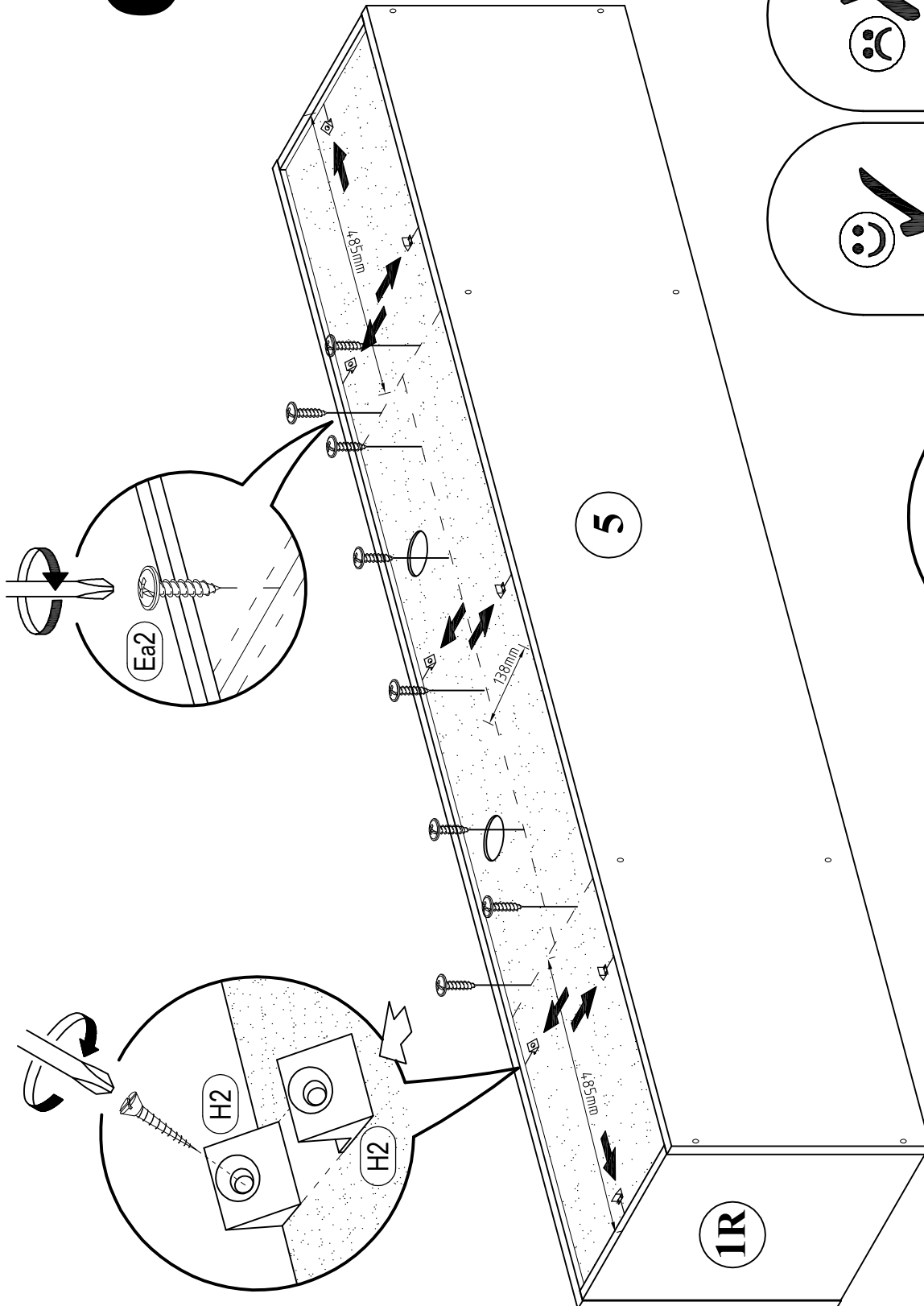


A

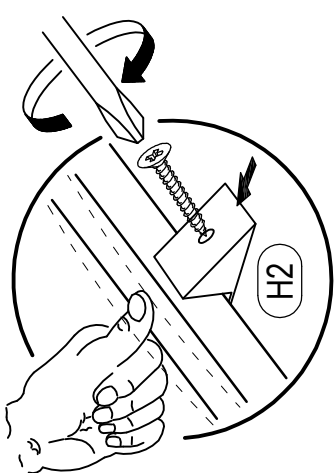
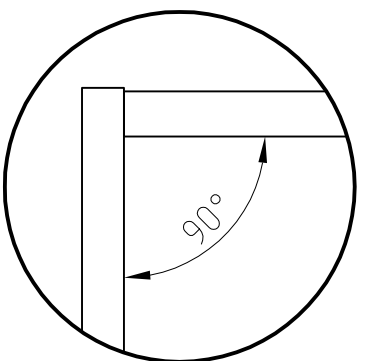
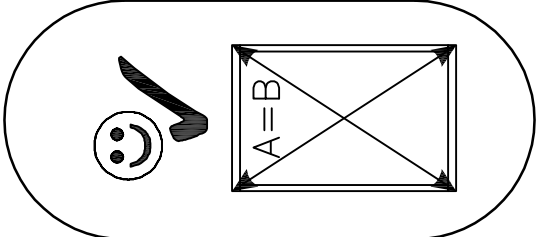
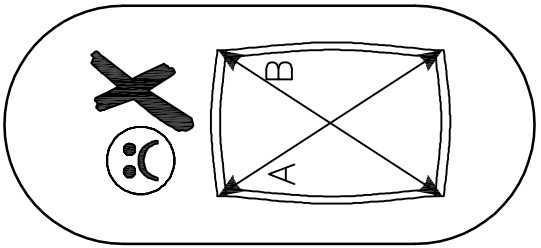
ROSSI 2

 (Ea2) 4,2*16mm x8	 (H2) x8
--	--

6


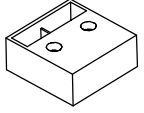


5

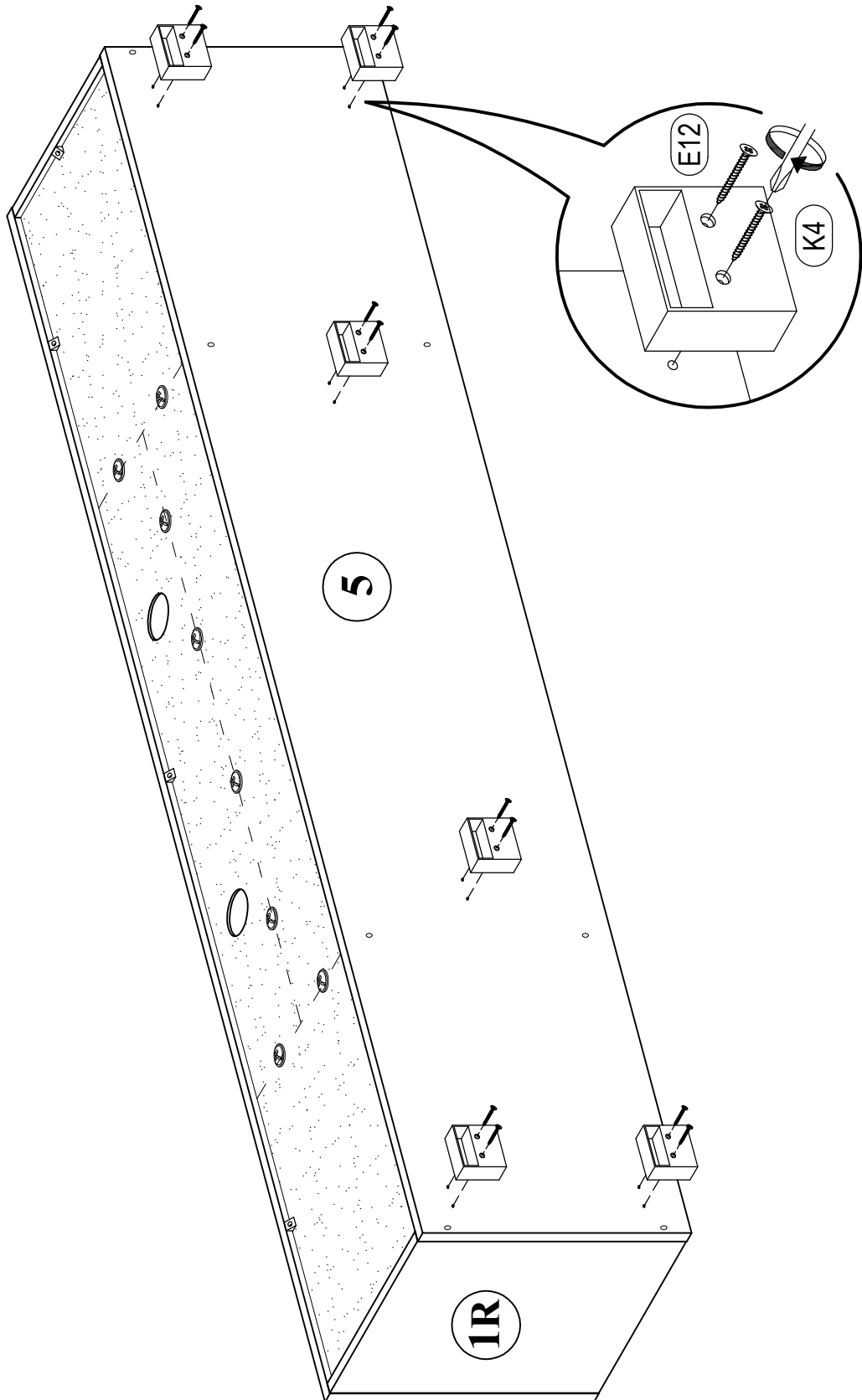


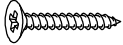
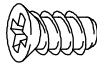
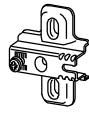
A

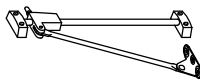
ROSSI 2

 <p>(E12) 4*35mm x12</p>	 <p>(K4) x6</p>
---	--

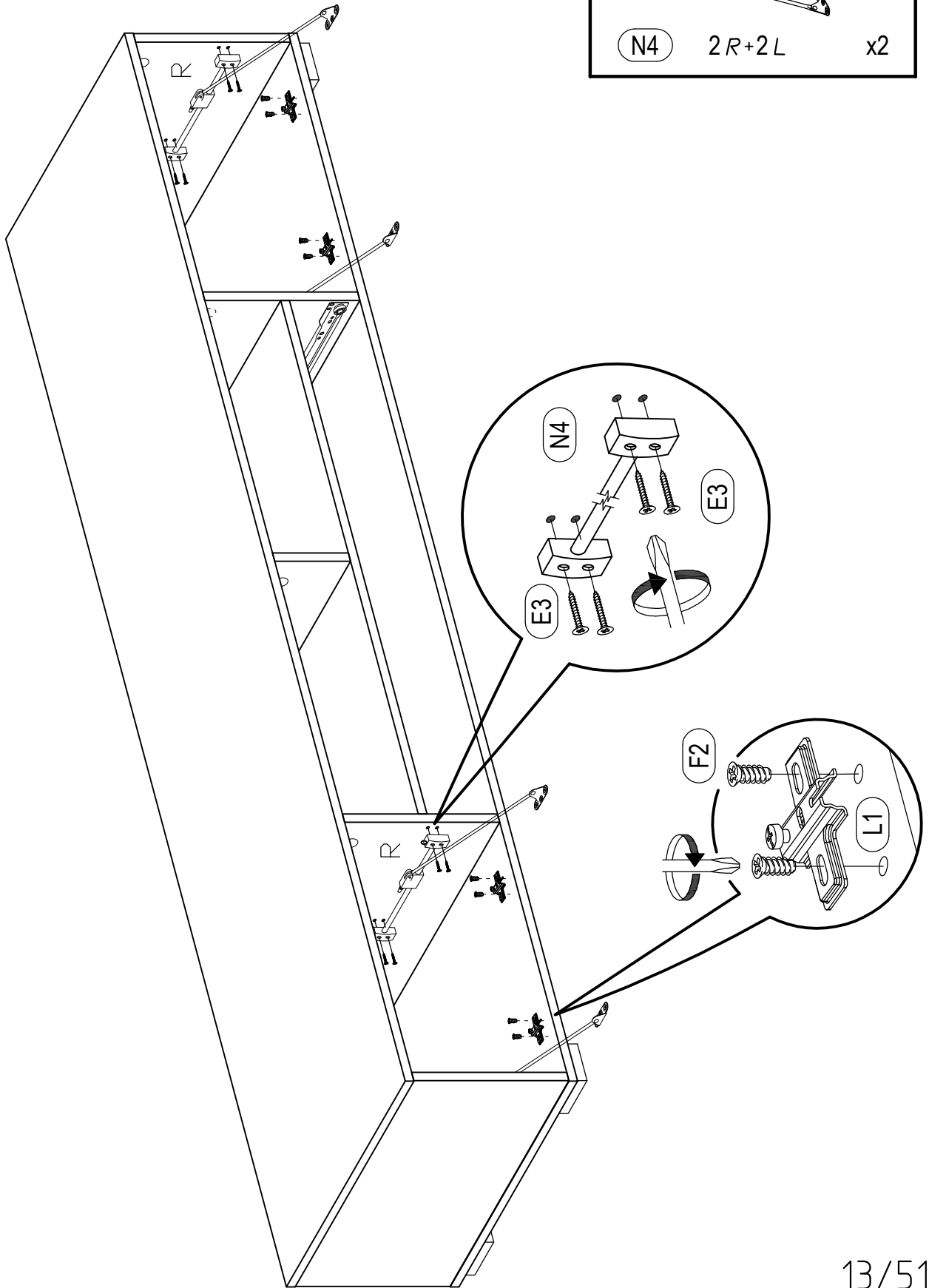
7



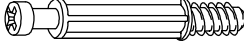



 E3 3*20mm x16	 F2 6,3*13mm x8	 L1 x4
---	--	---

 N4 2R+2L x2

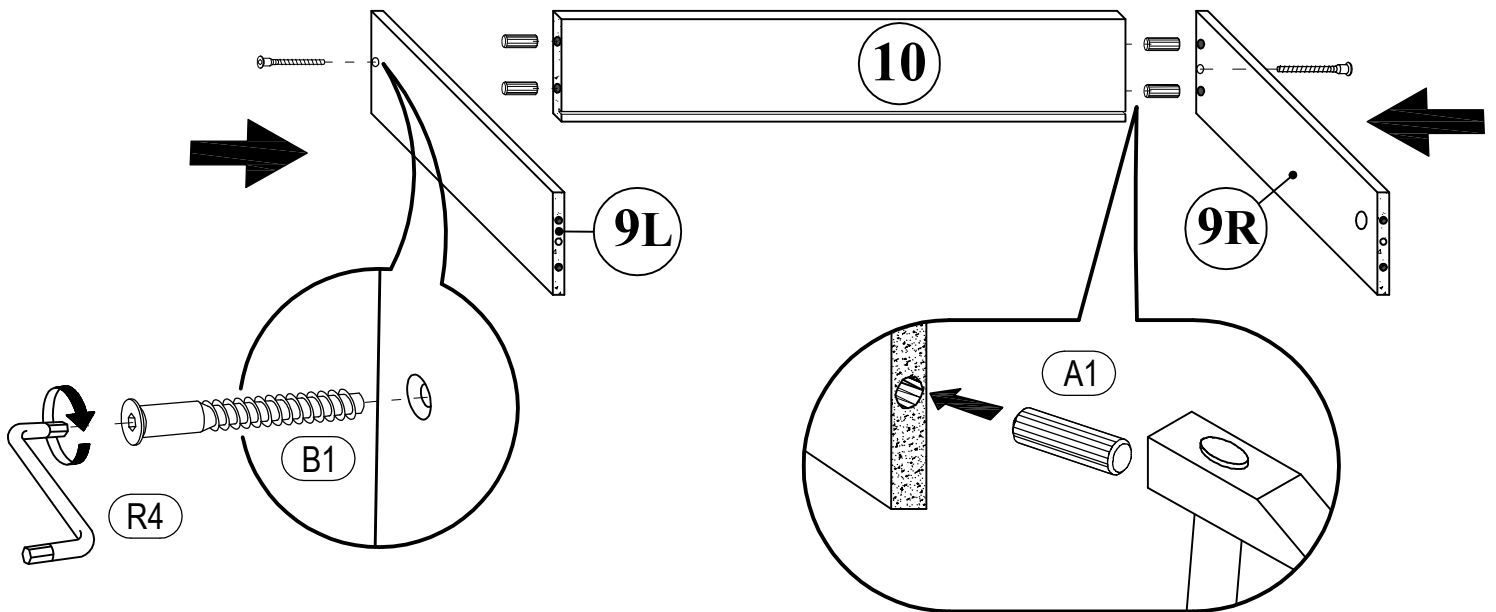
8



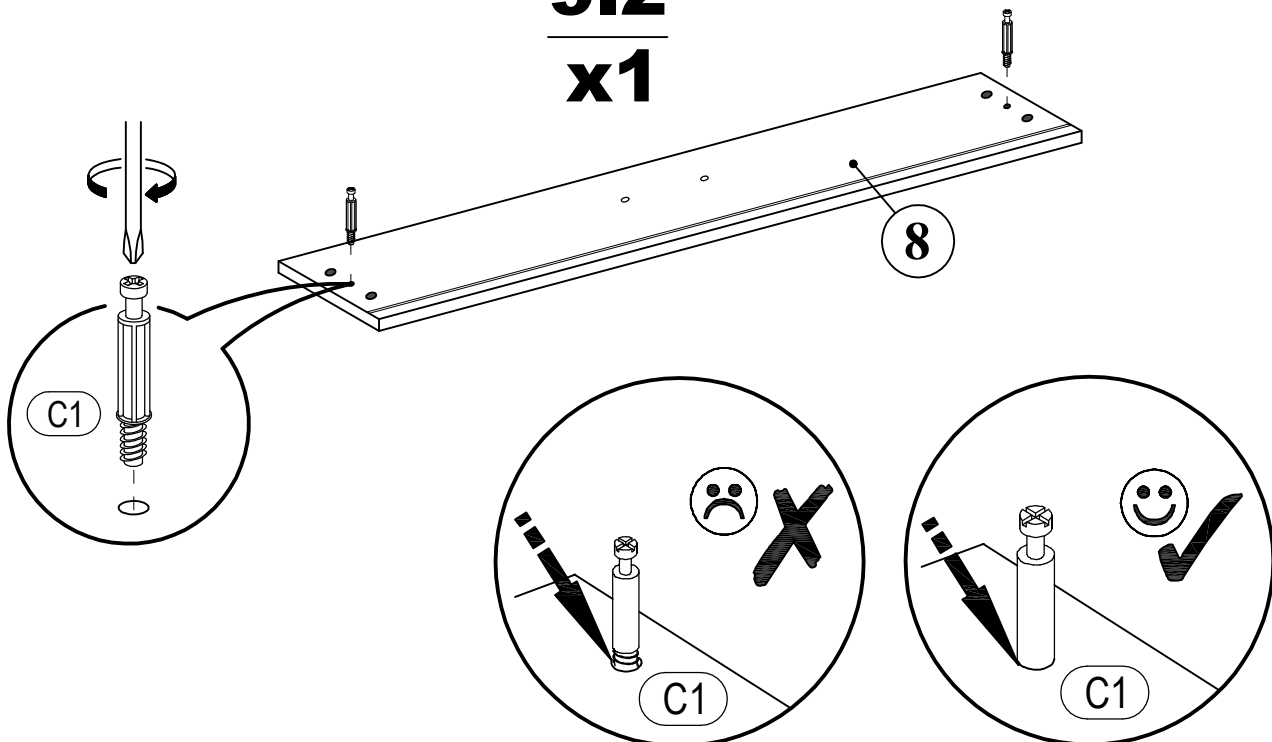
 A1 8*30mm x4	 B1 6,3*50mm x2	 C1 5*30mm x2
		 R4 N°4 x1

9

9.1 x1


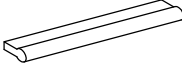


9.2 x1



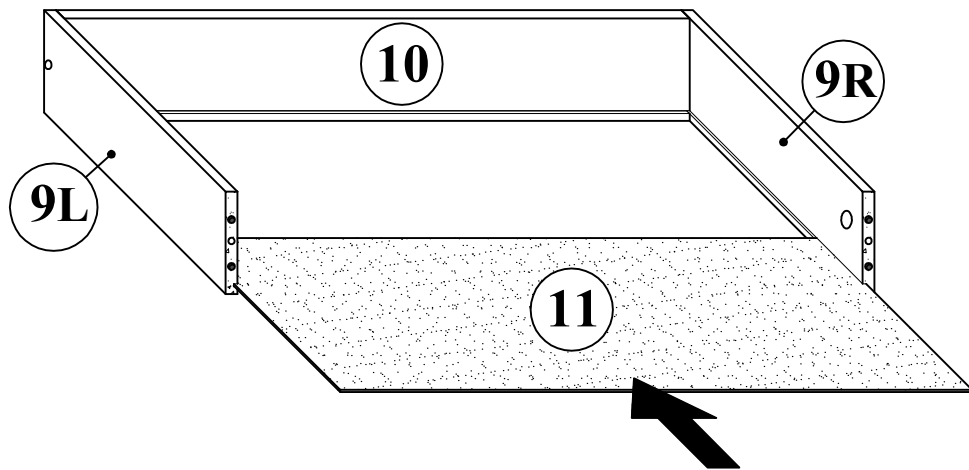
A

ROSSI 2

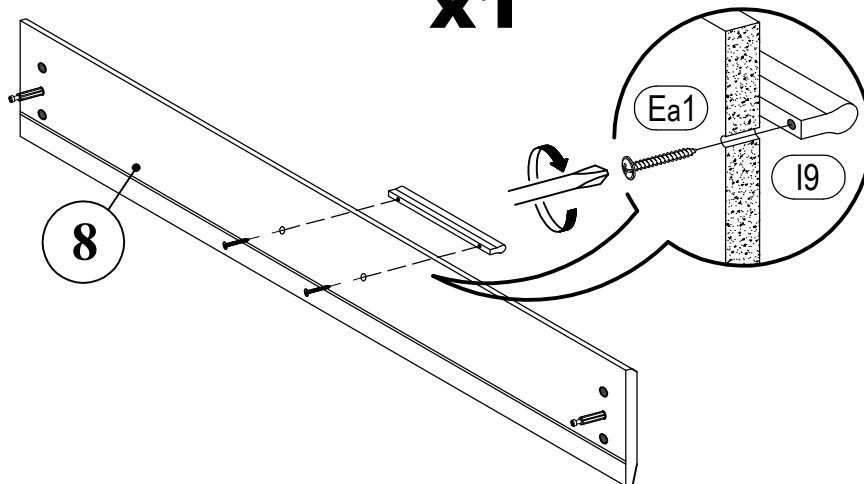
 (Ea1) 3,5*27mm x2	 (I9) x1
--	--



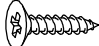
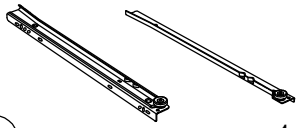
9

9.3
x1



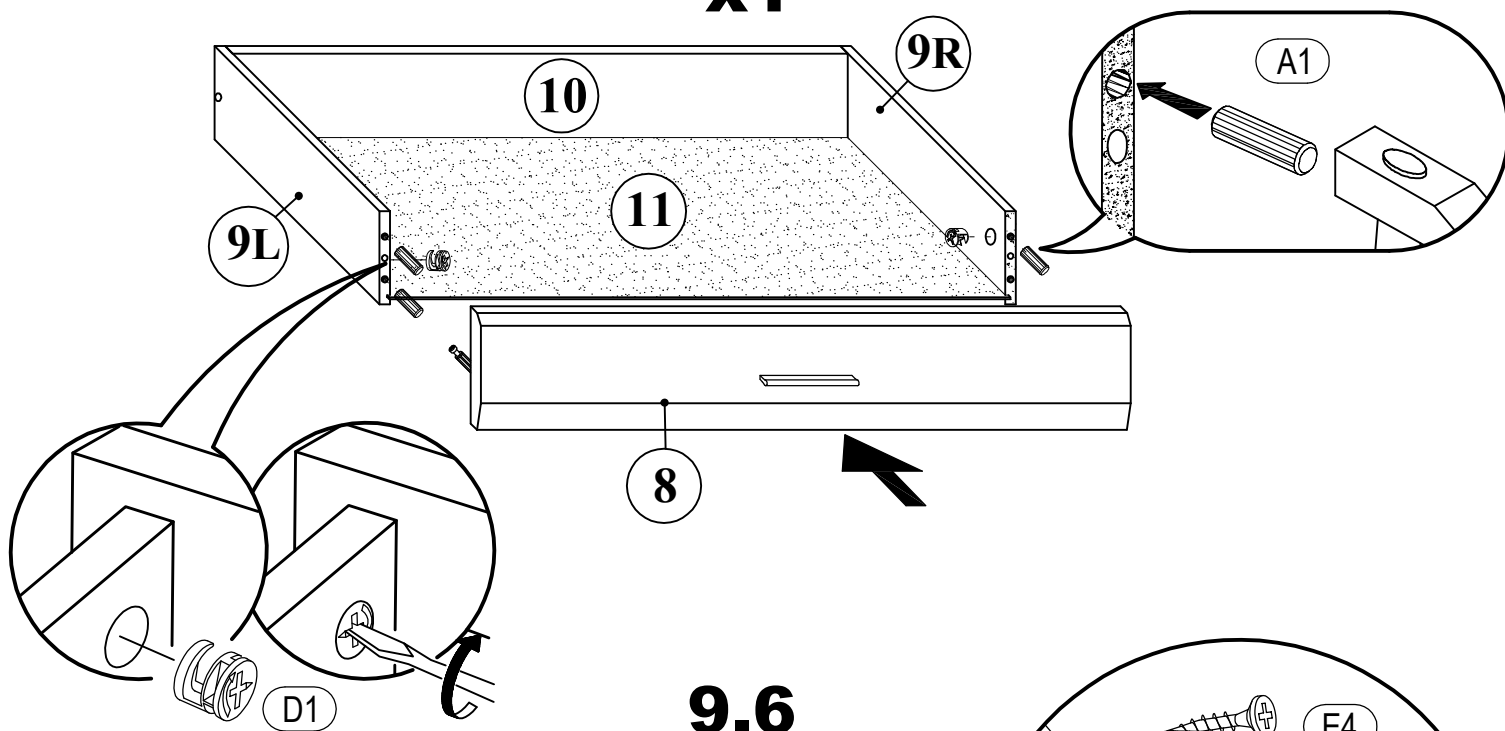
9.4
x1



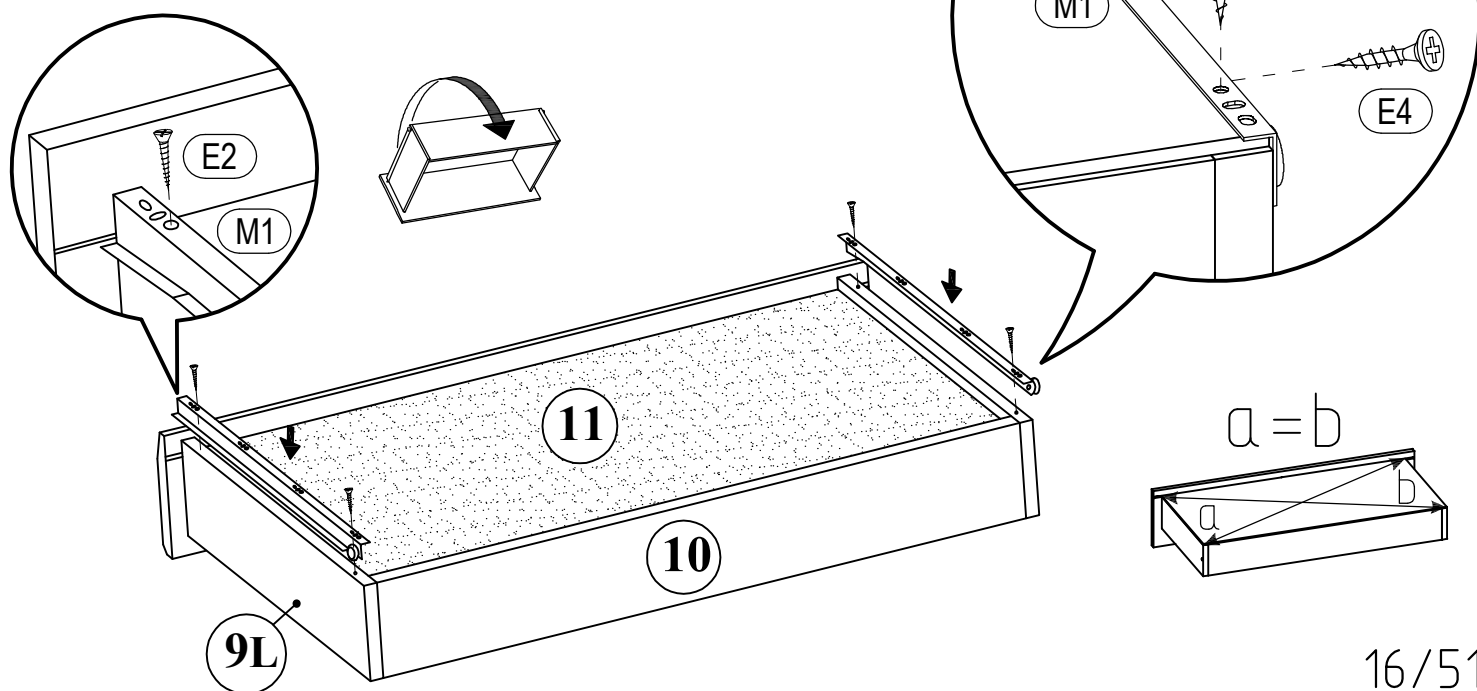
 A1 8*30mm x4	 D1 16mm x2	 E4 3,5*16 x8
 M1 L- 400mm x1		

9

9.5 x1

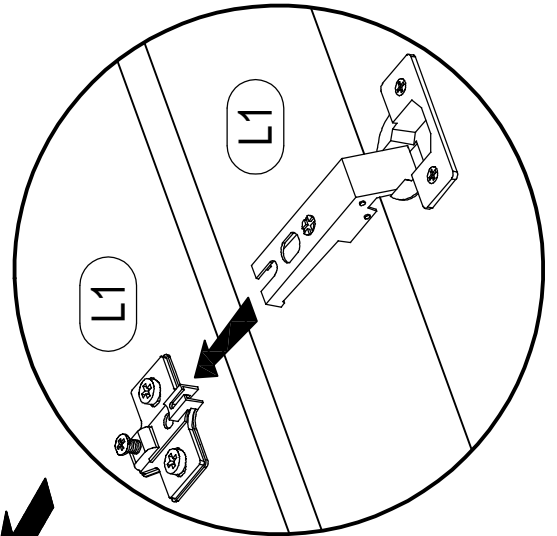
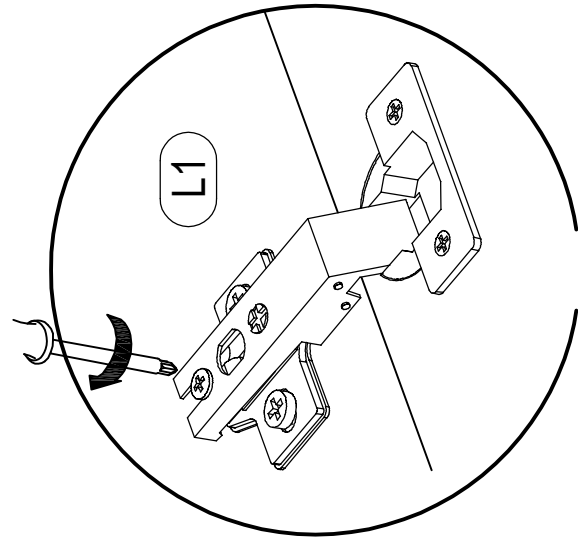
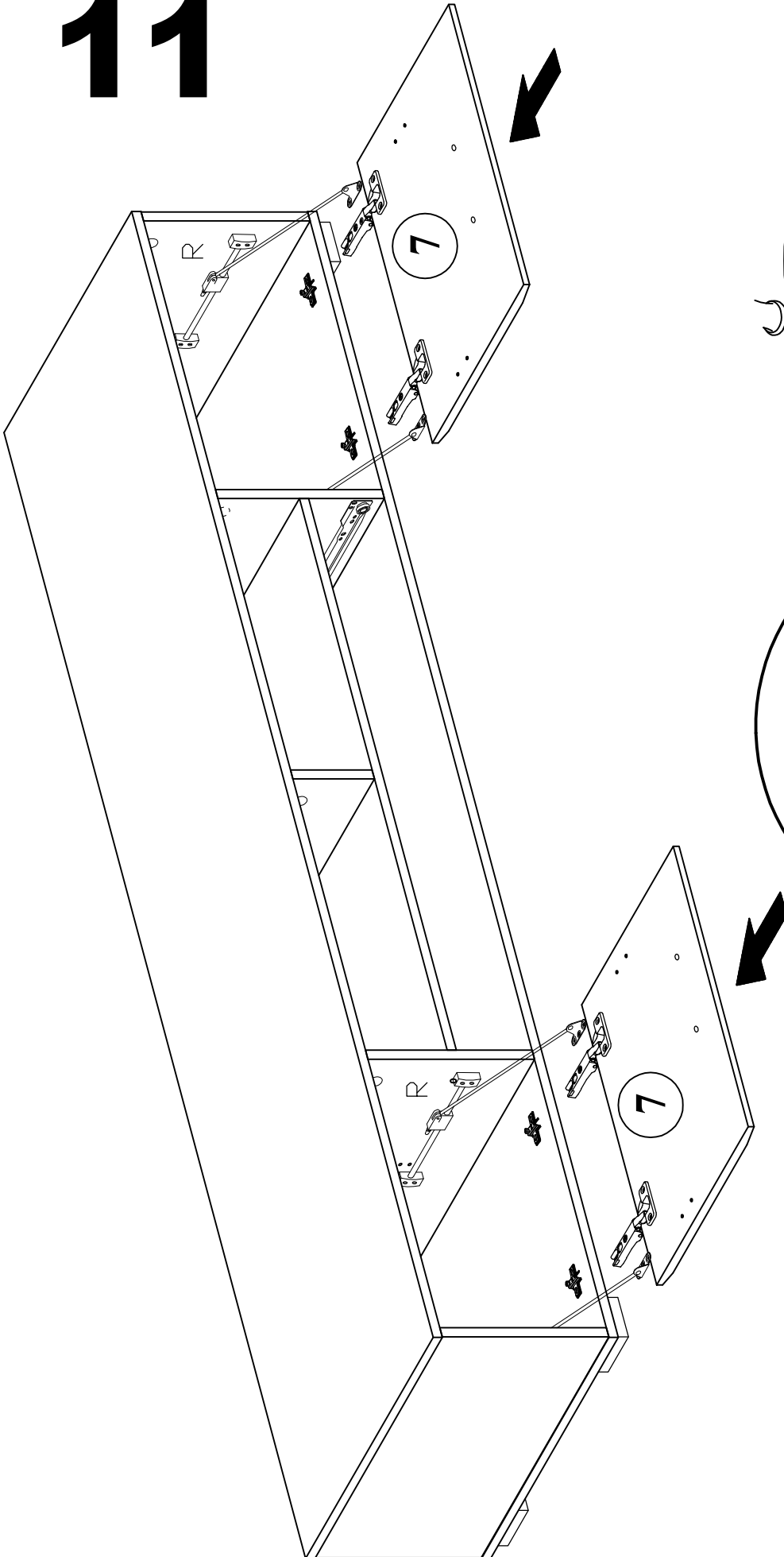


9.6 x1



A

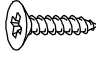

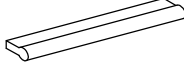
11

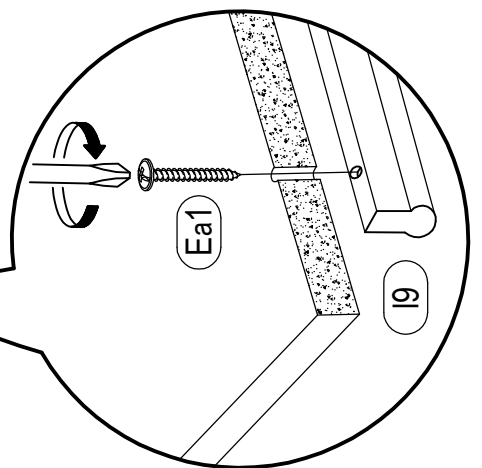
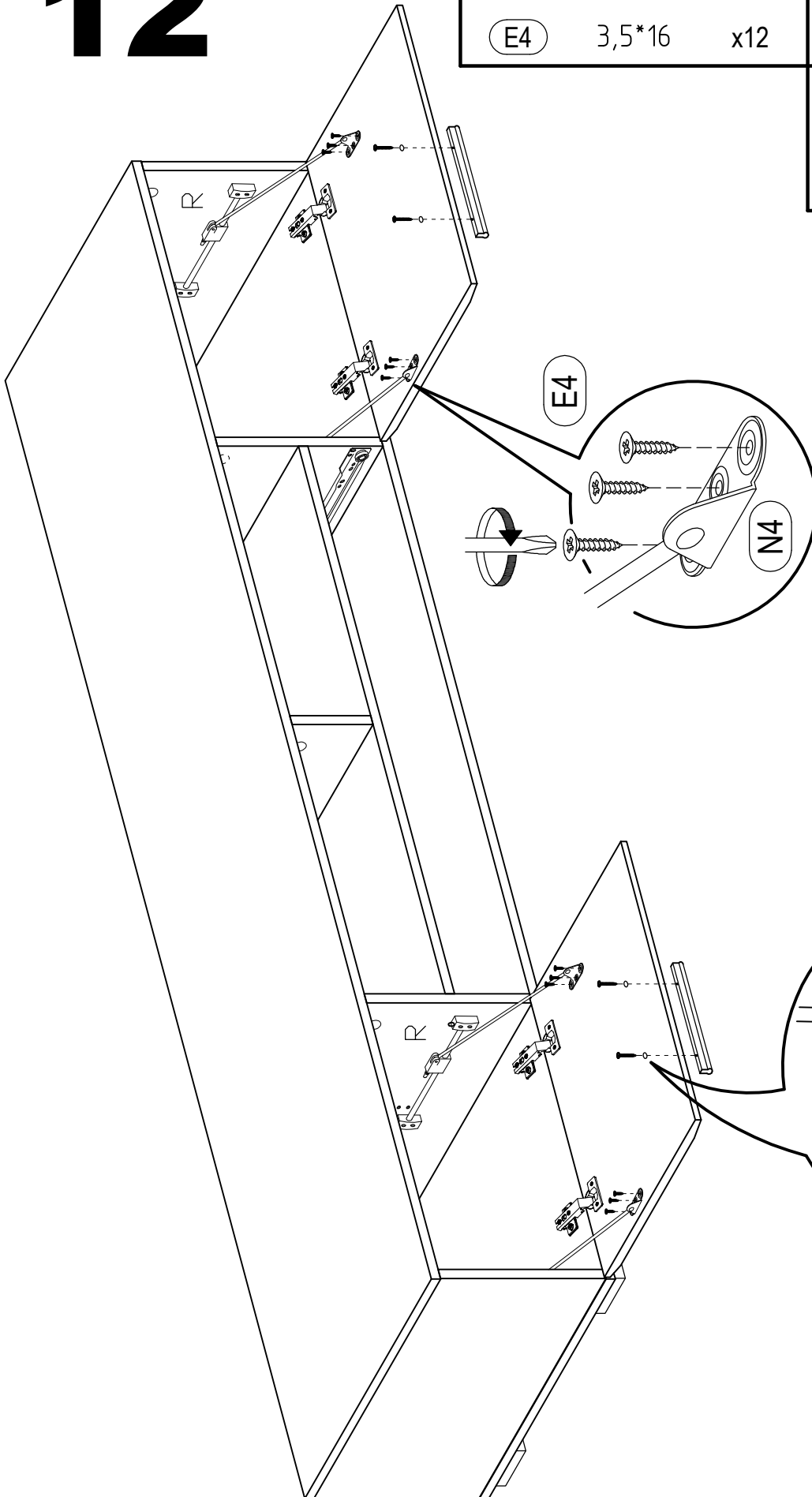


A

ROSSI 2

12


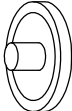

 E4 3,5*16 x12	 Ea1 3,5*27mm x4
	 19 x2

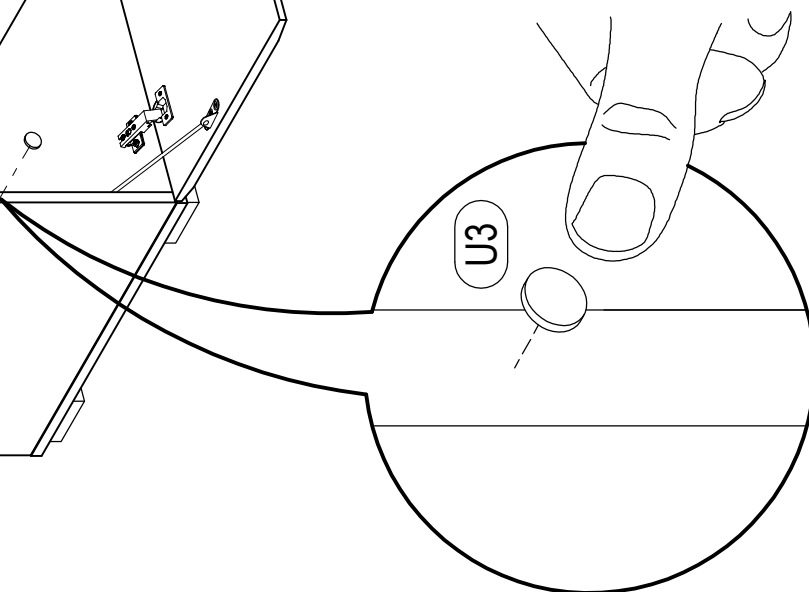
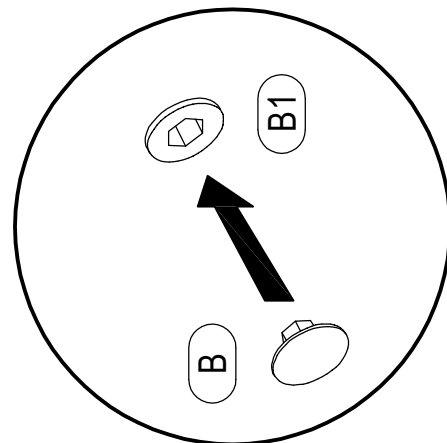
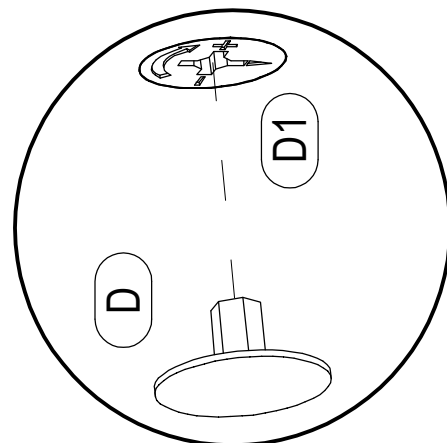
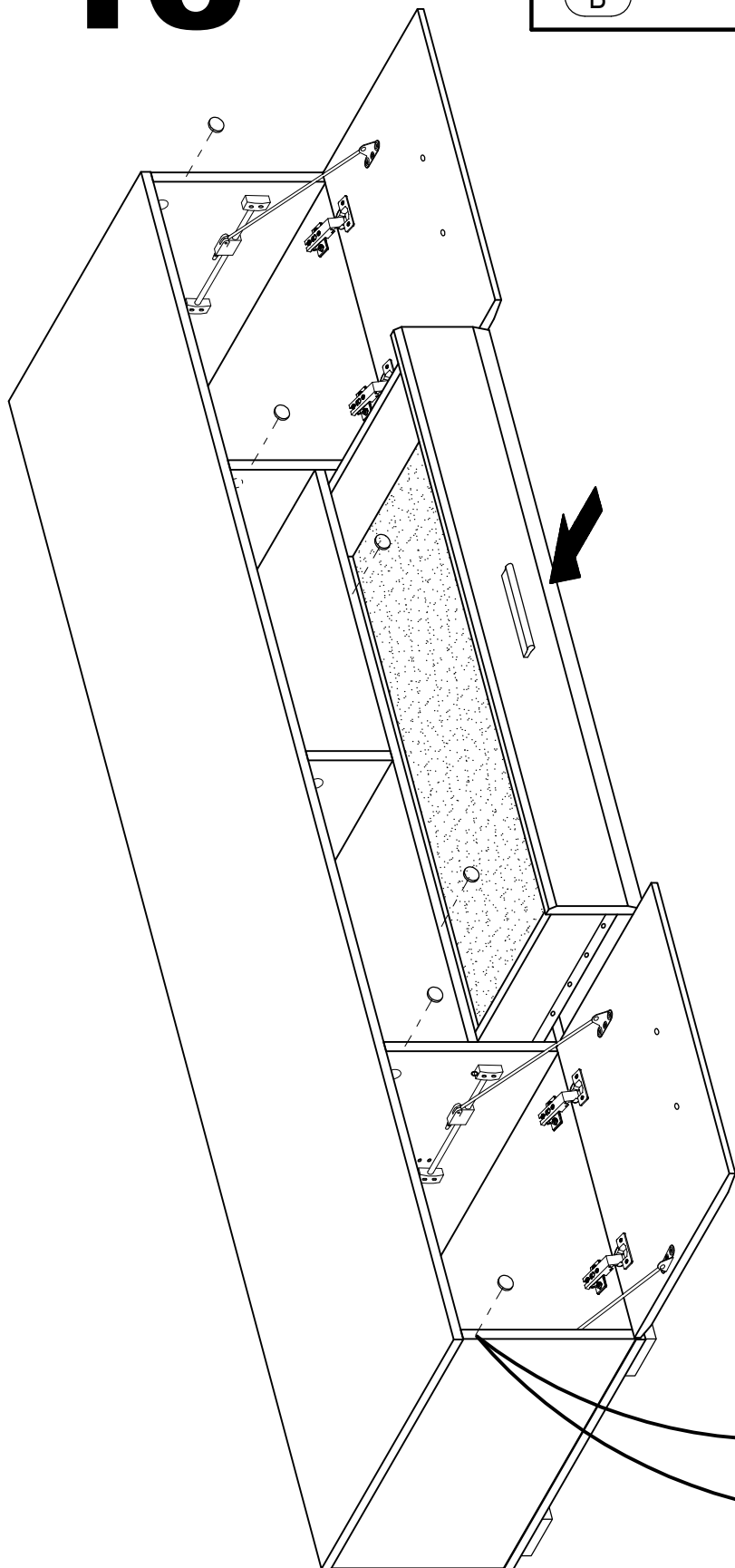


A

ROSSI 2

13

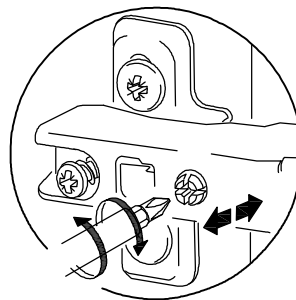
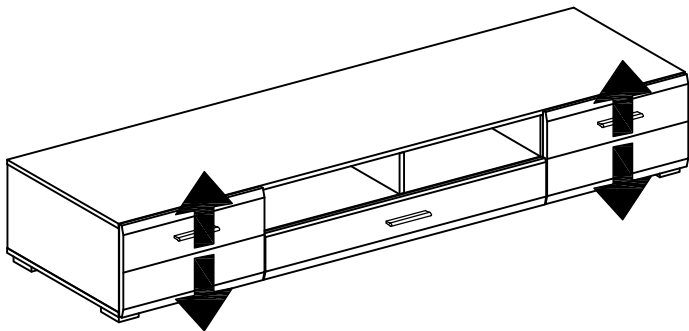
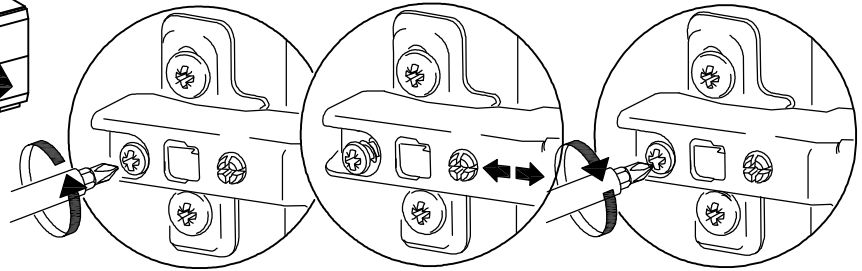
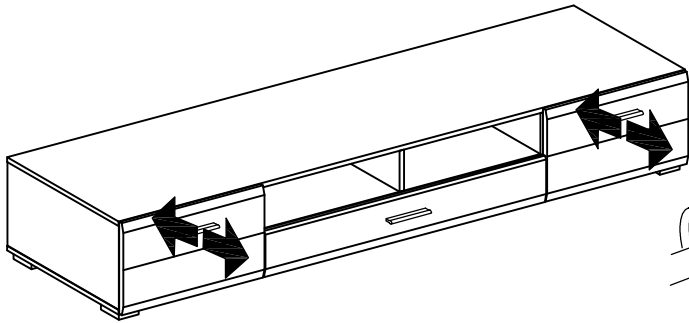
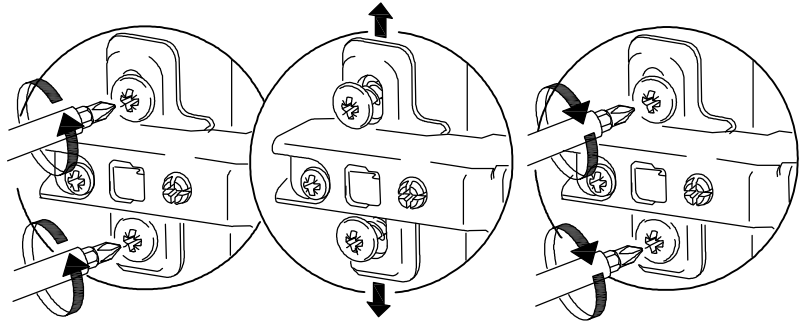
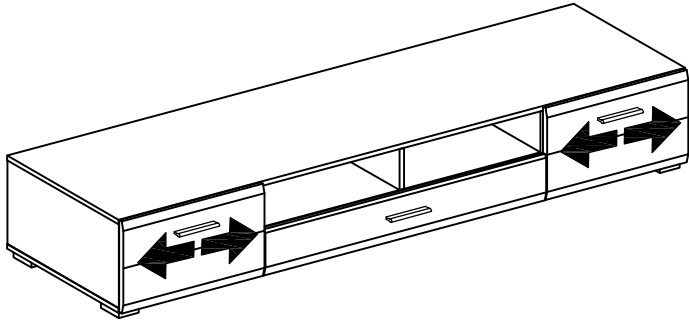
 B x16	 D x12
 U3 x6	

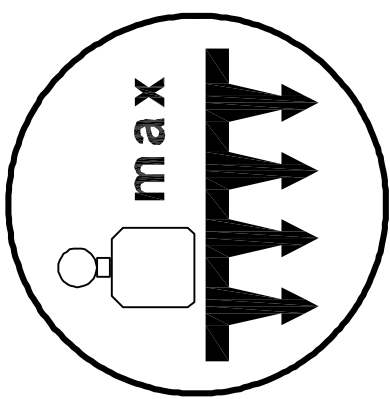


A

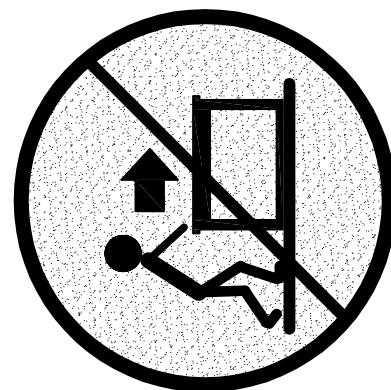
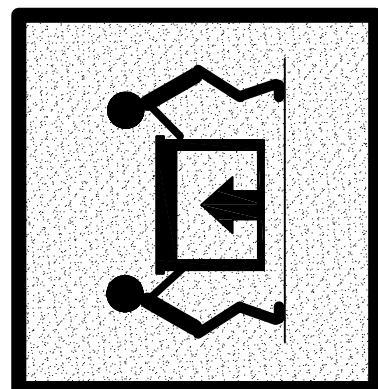
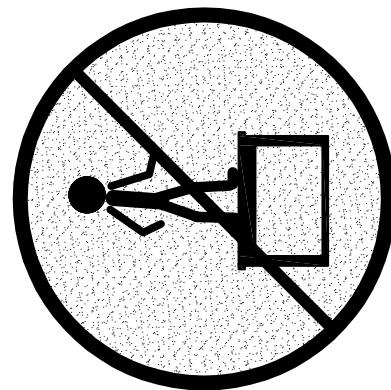
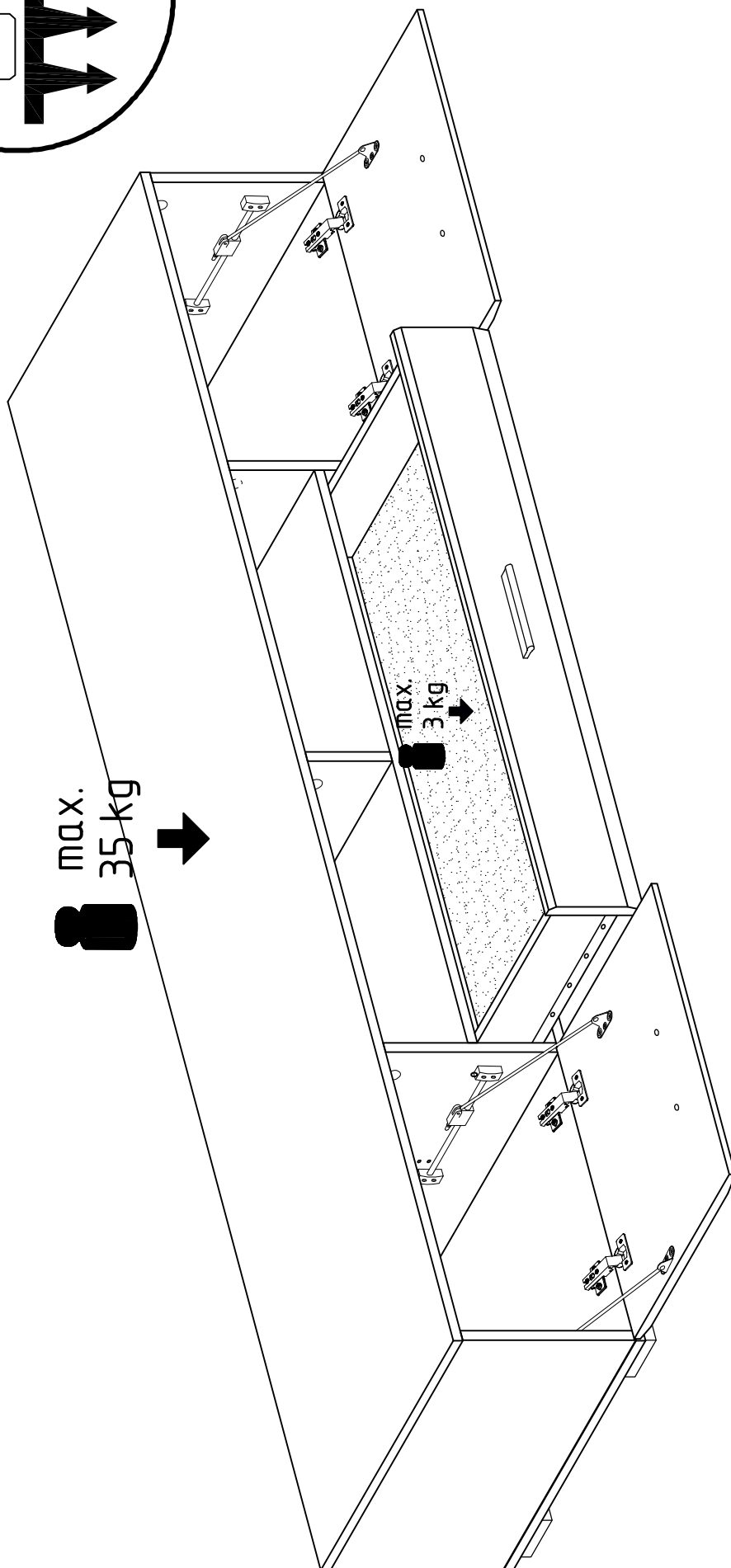
ROSSI 2

14



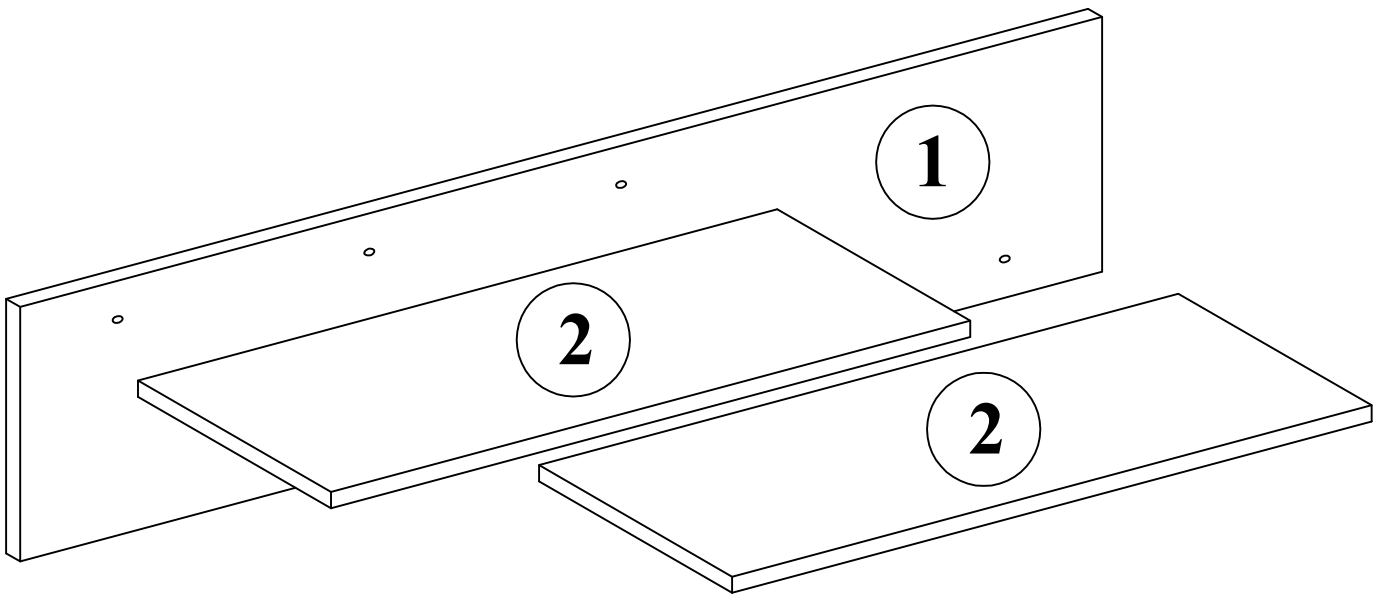
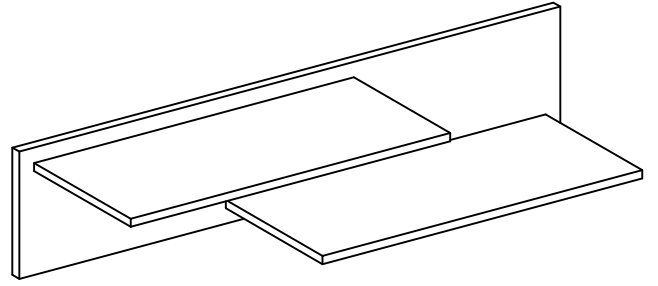


A



B

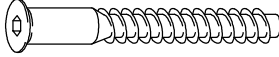
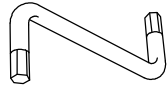
ROSSI 2

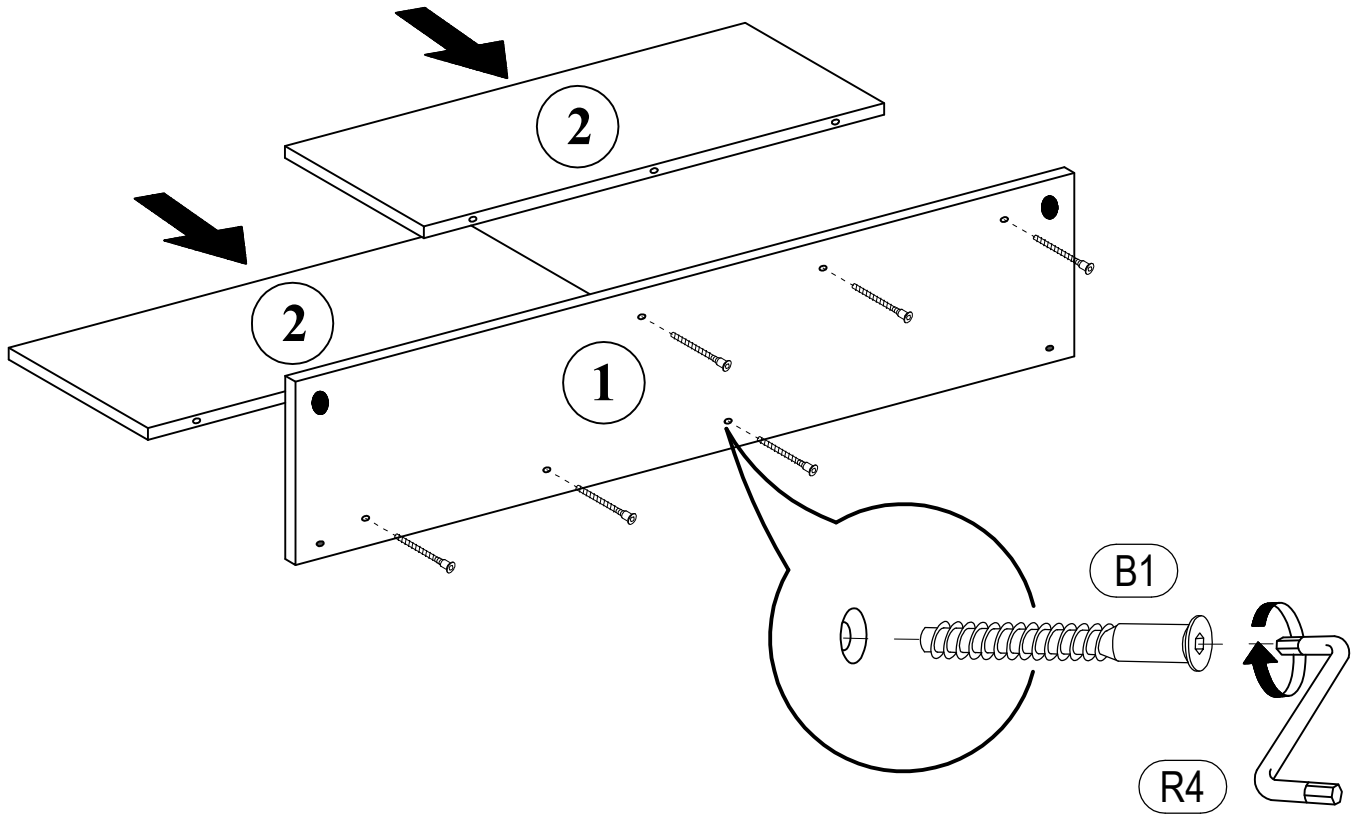


B

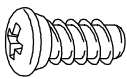
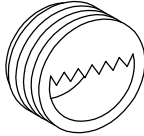
ROSSI 2

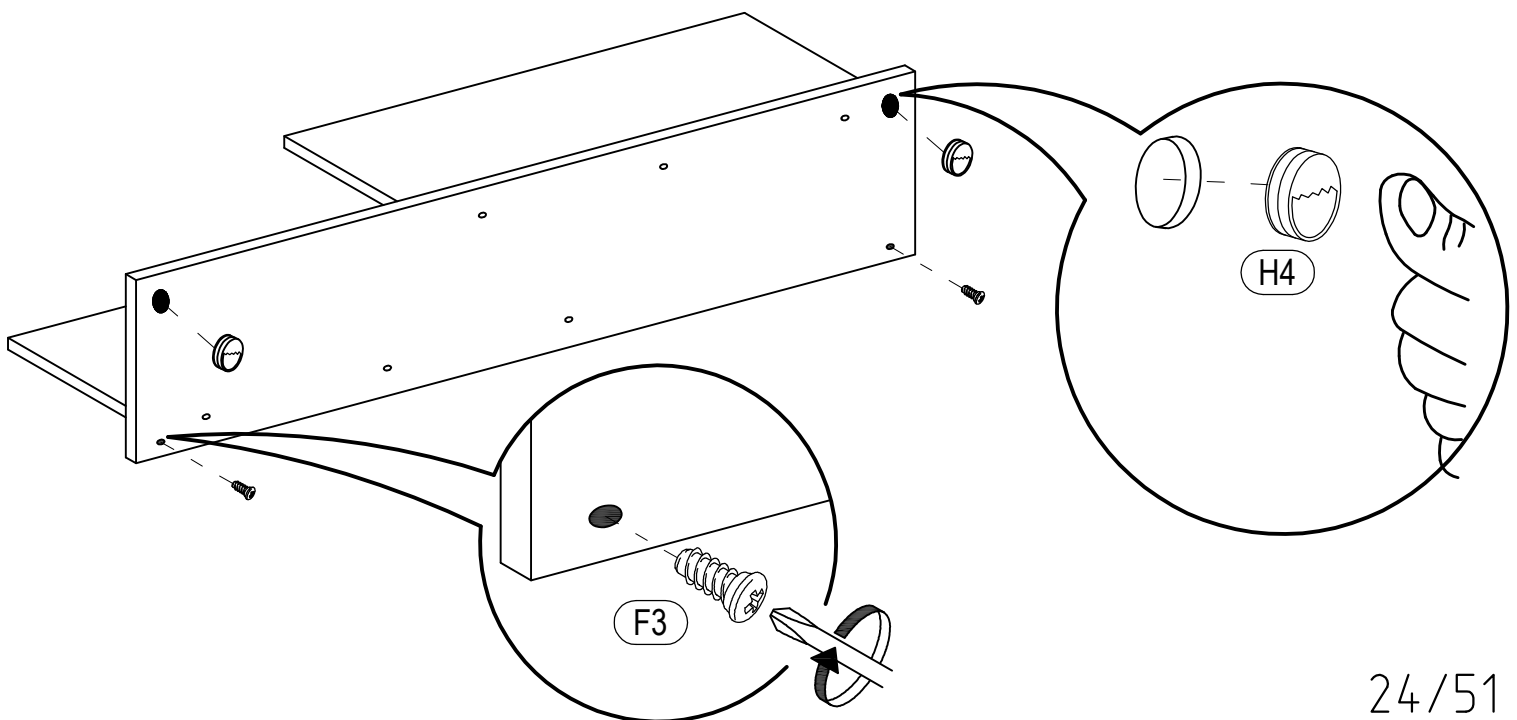
15

	
B1 6,3*50mm x6	R4 N°4 x1

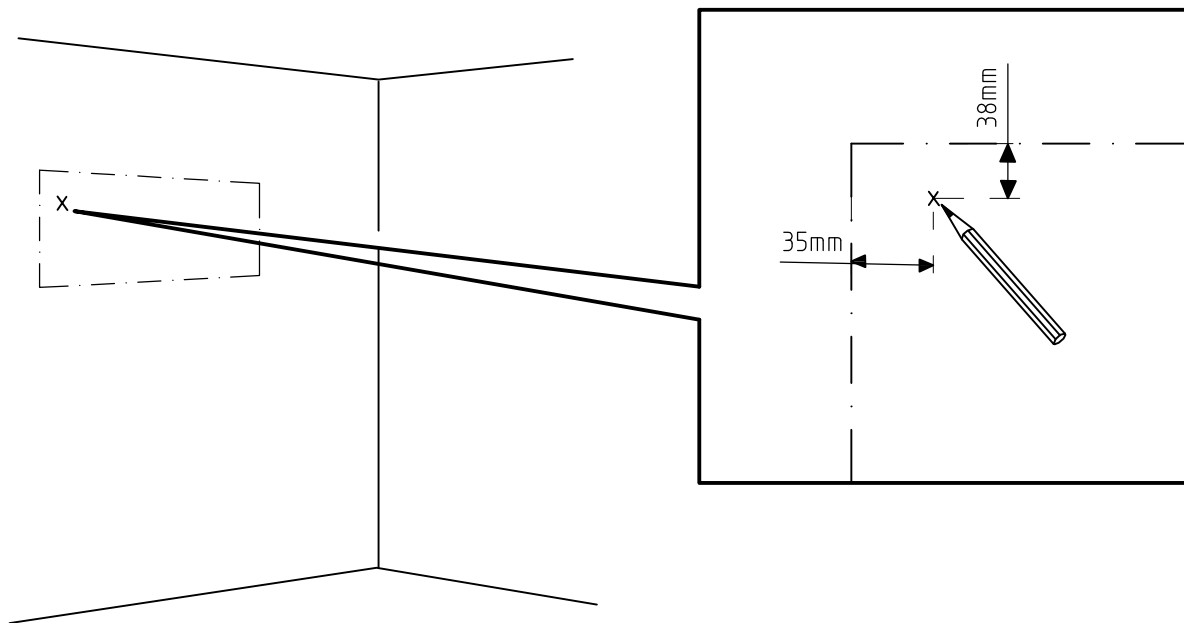


16

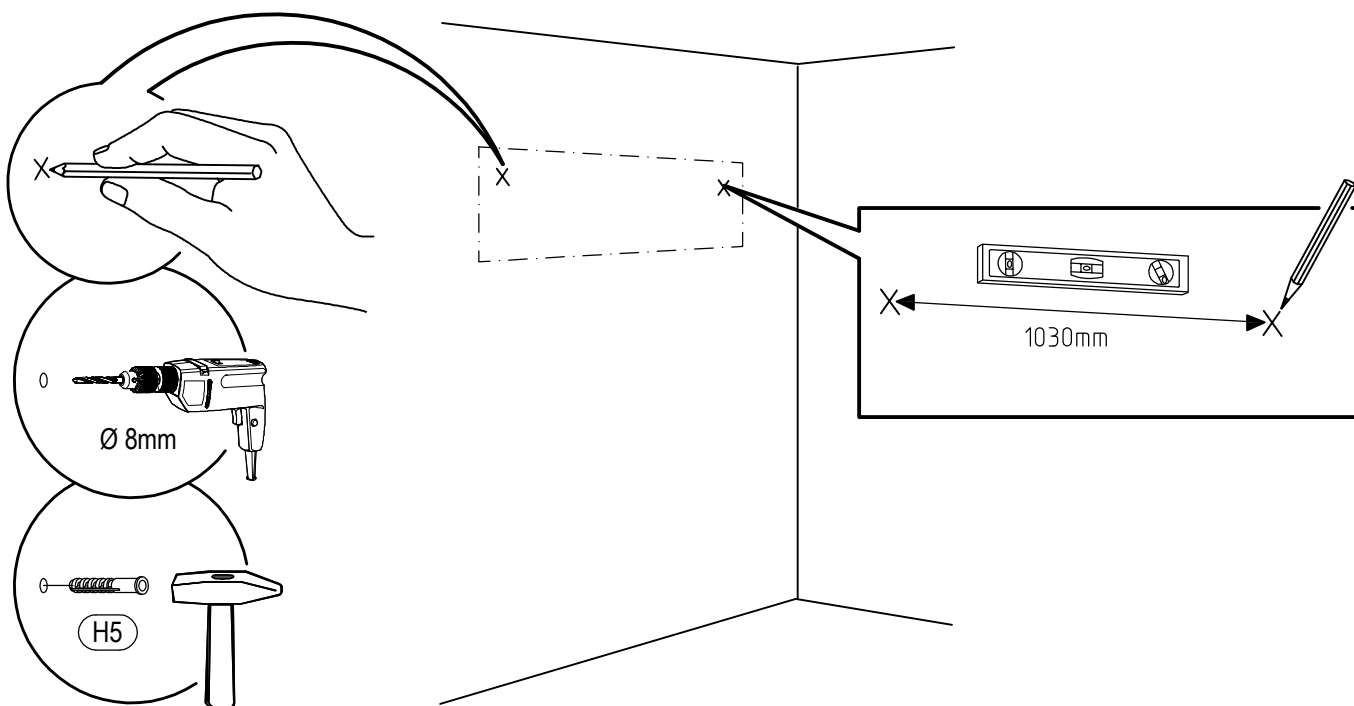
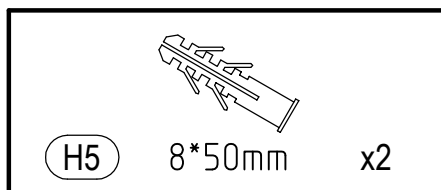
	
F3 6,3*13mm x2	H4 x2



17



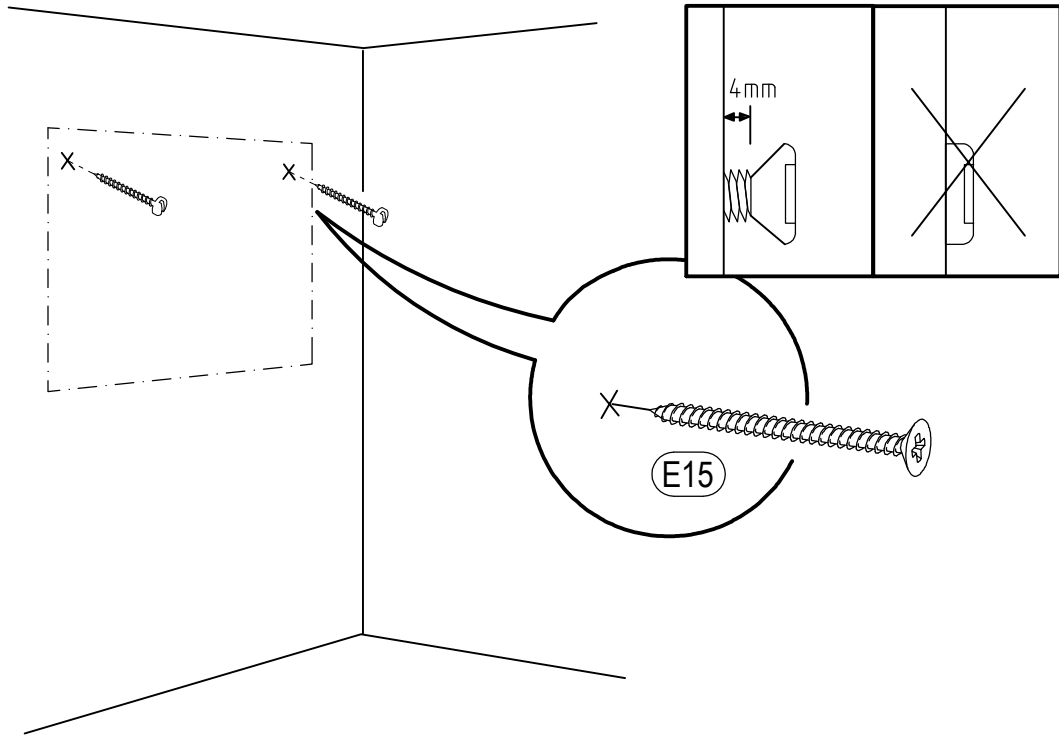
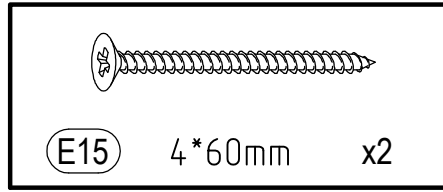
18



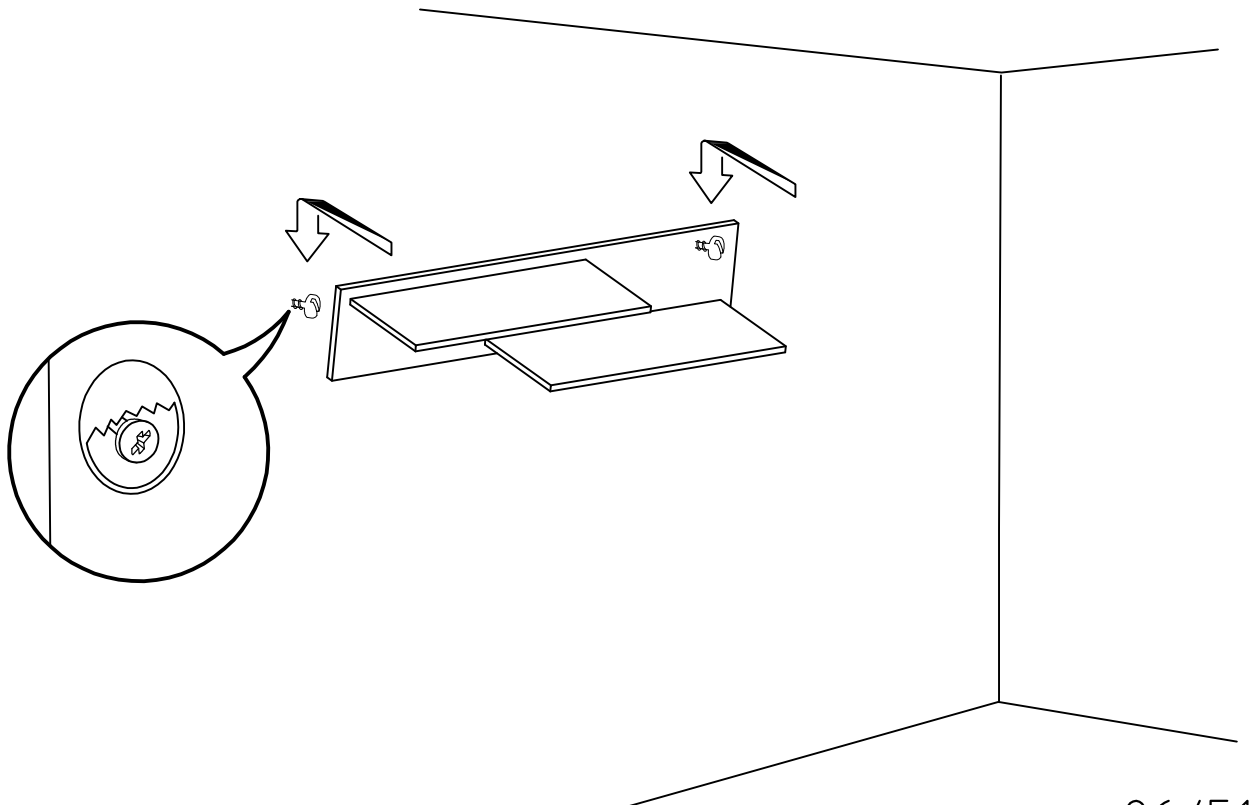
B

ROSSI 2

19

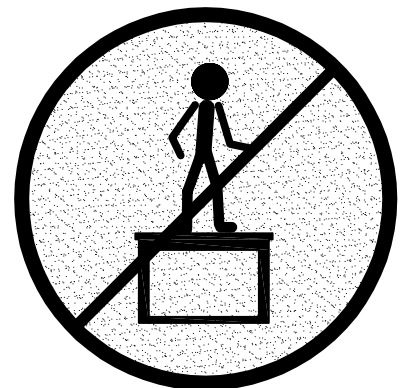
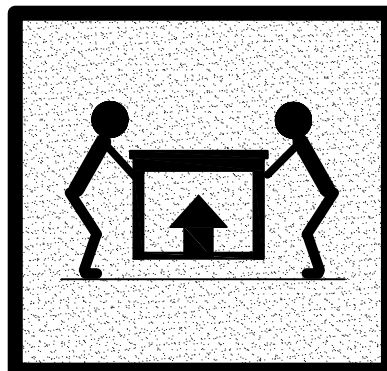
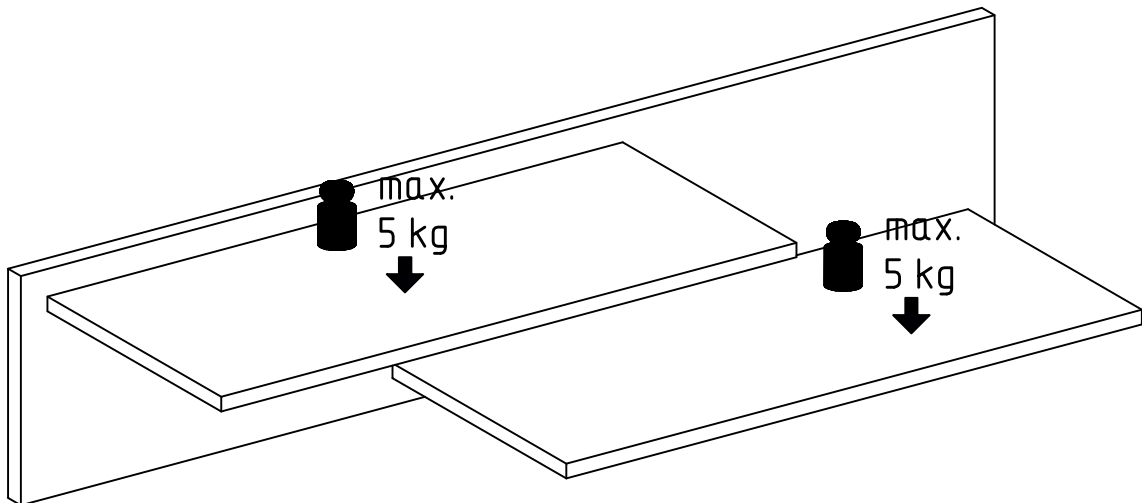
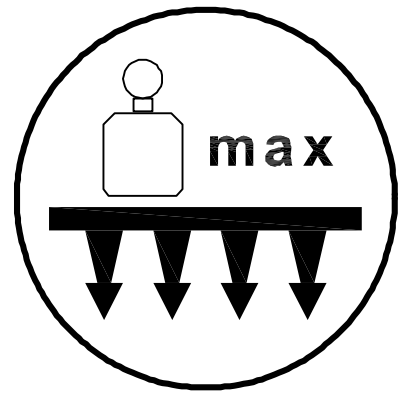



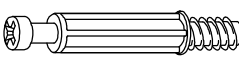


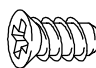
20



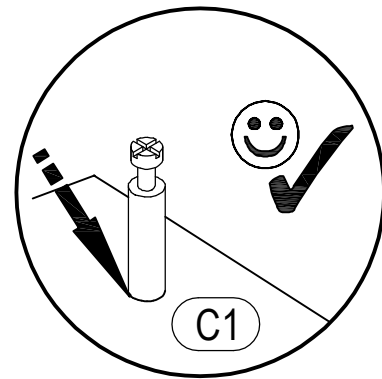
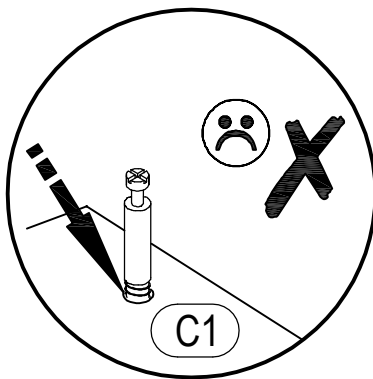
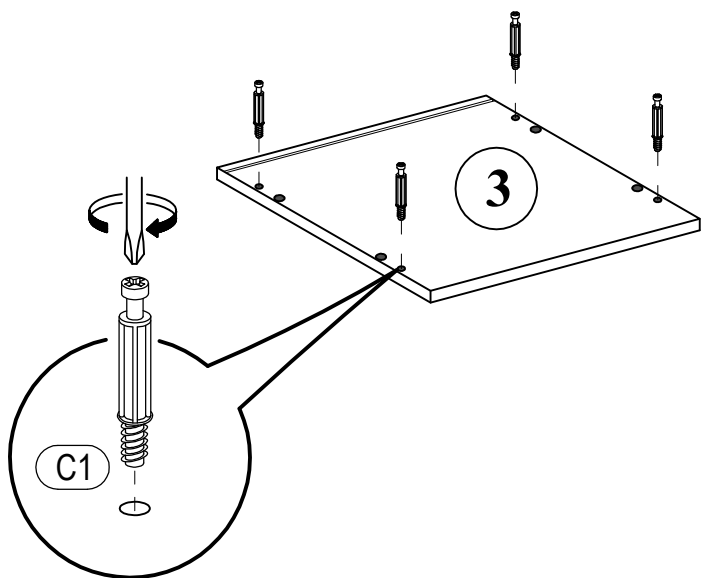
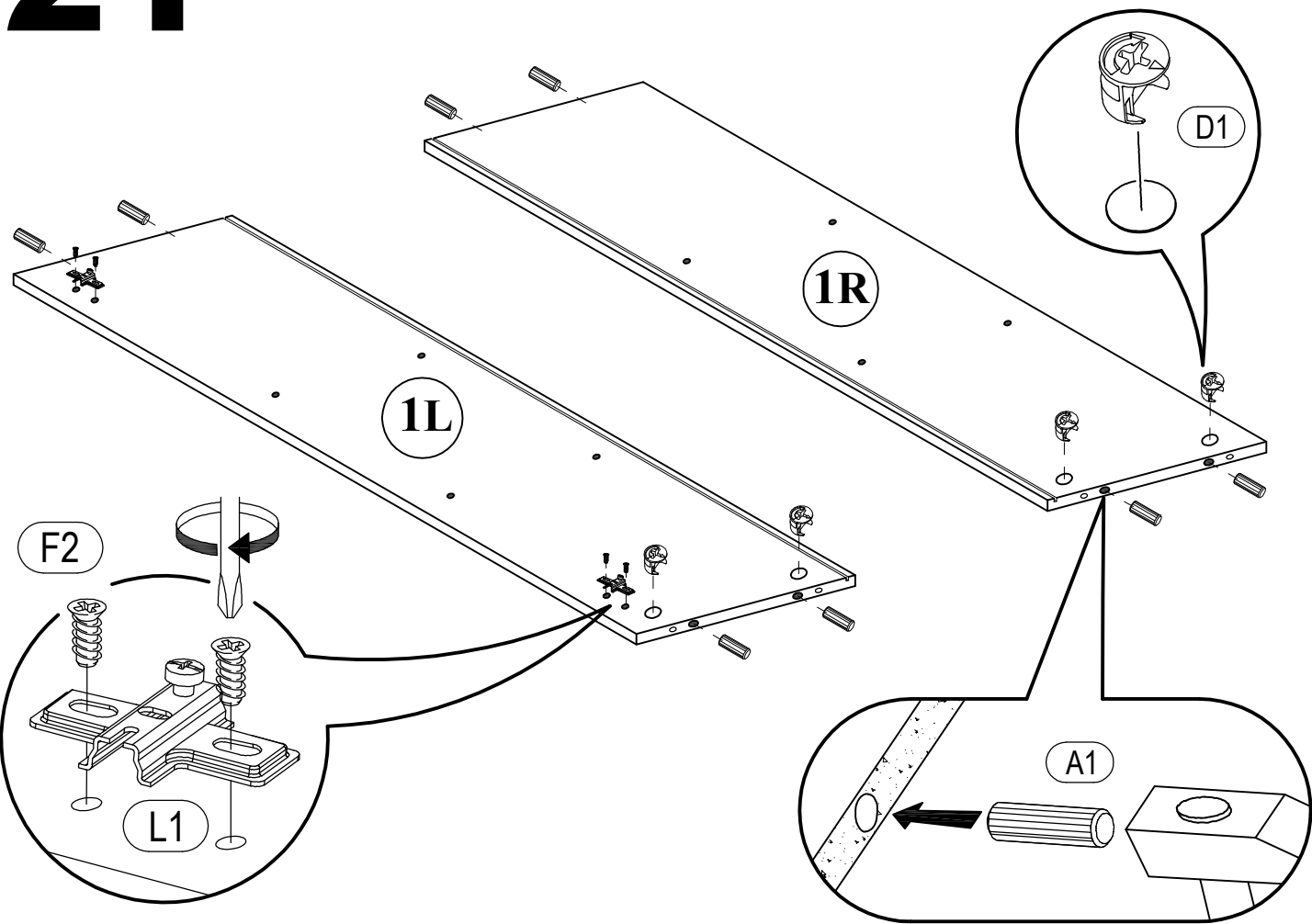
B

ROSSI 2




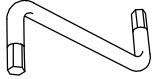
 A1 8*30mm x8	 C1 5*30mm x4	 D1 16mm x4
	 L1 x2	 F2 6,3*13mm x4

21

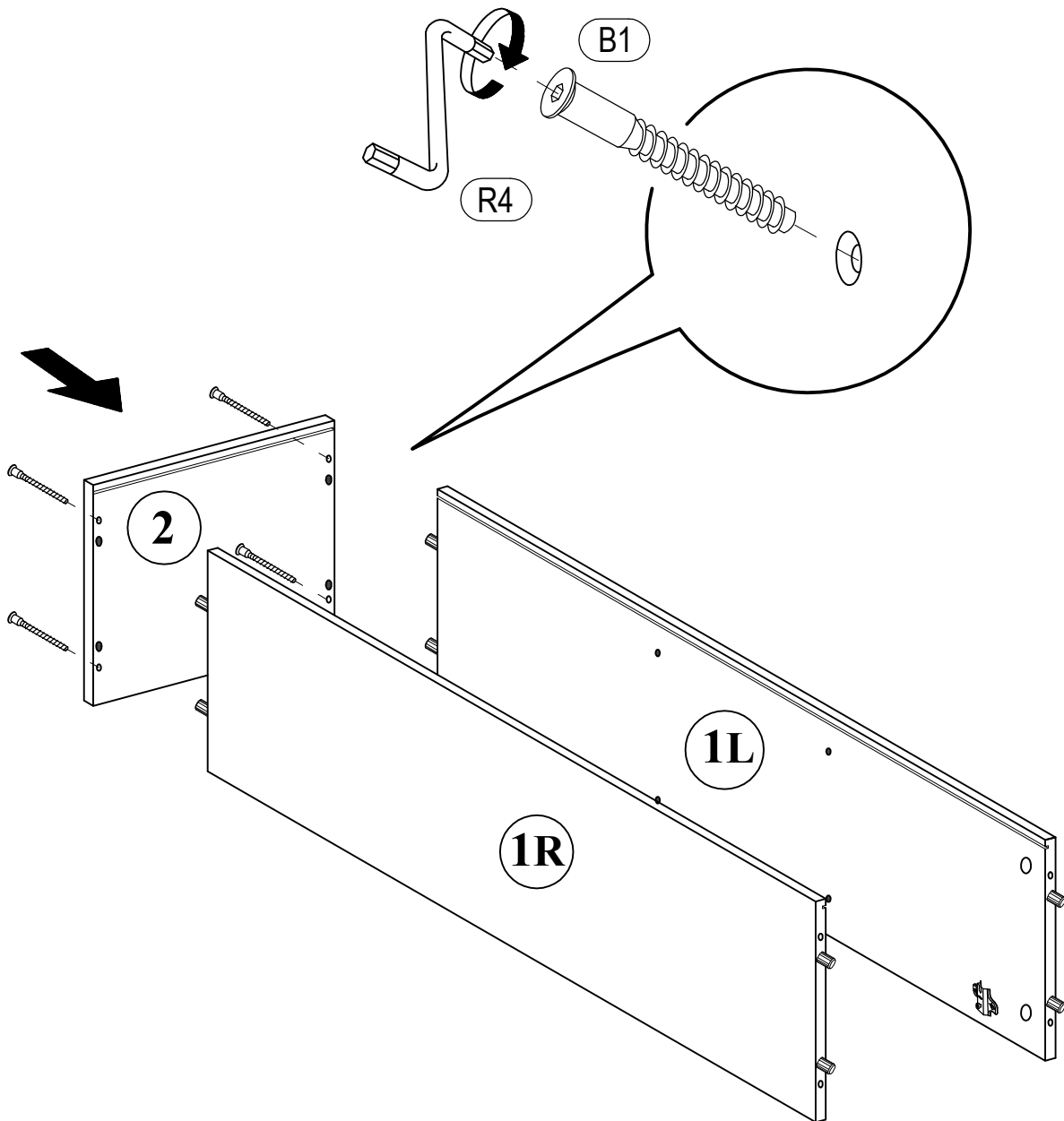


C

ROSSI 2

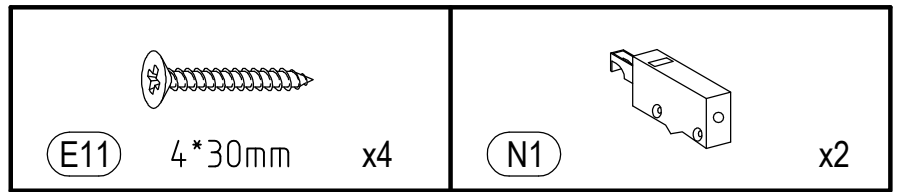
	
B1 6,3*50mm x4	R4 N°4 x1

22

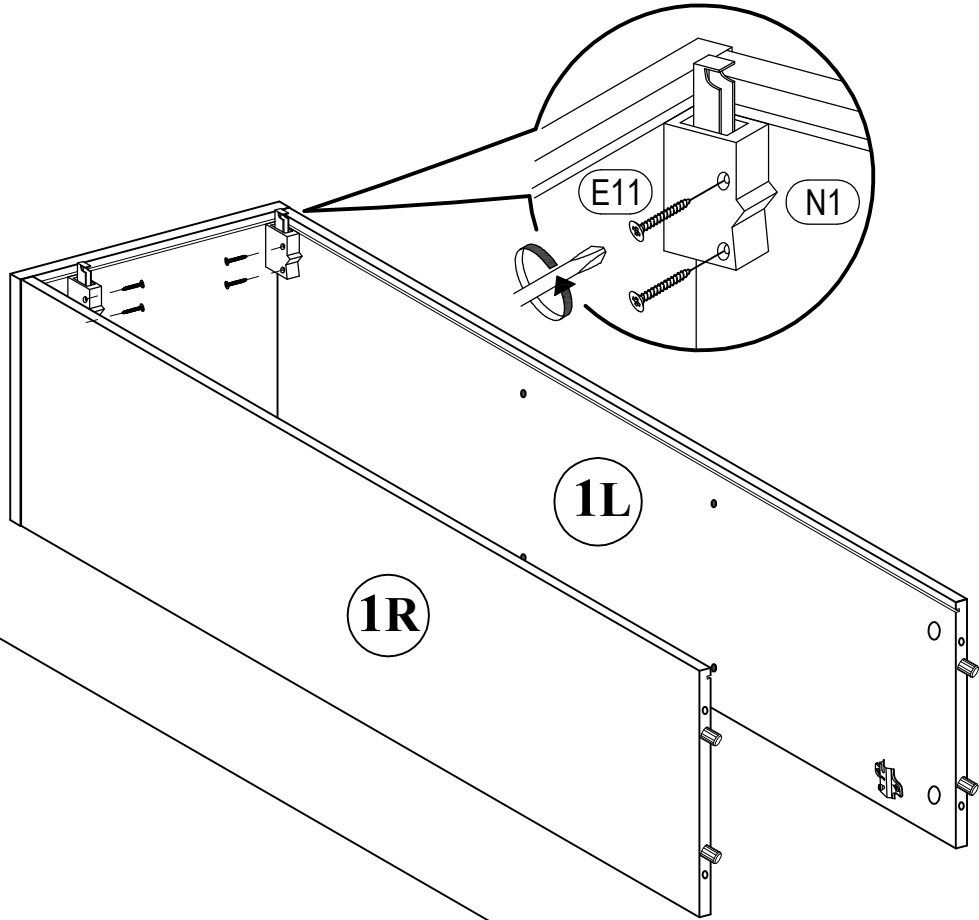


C

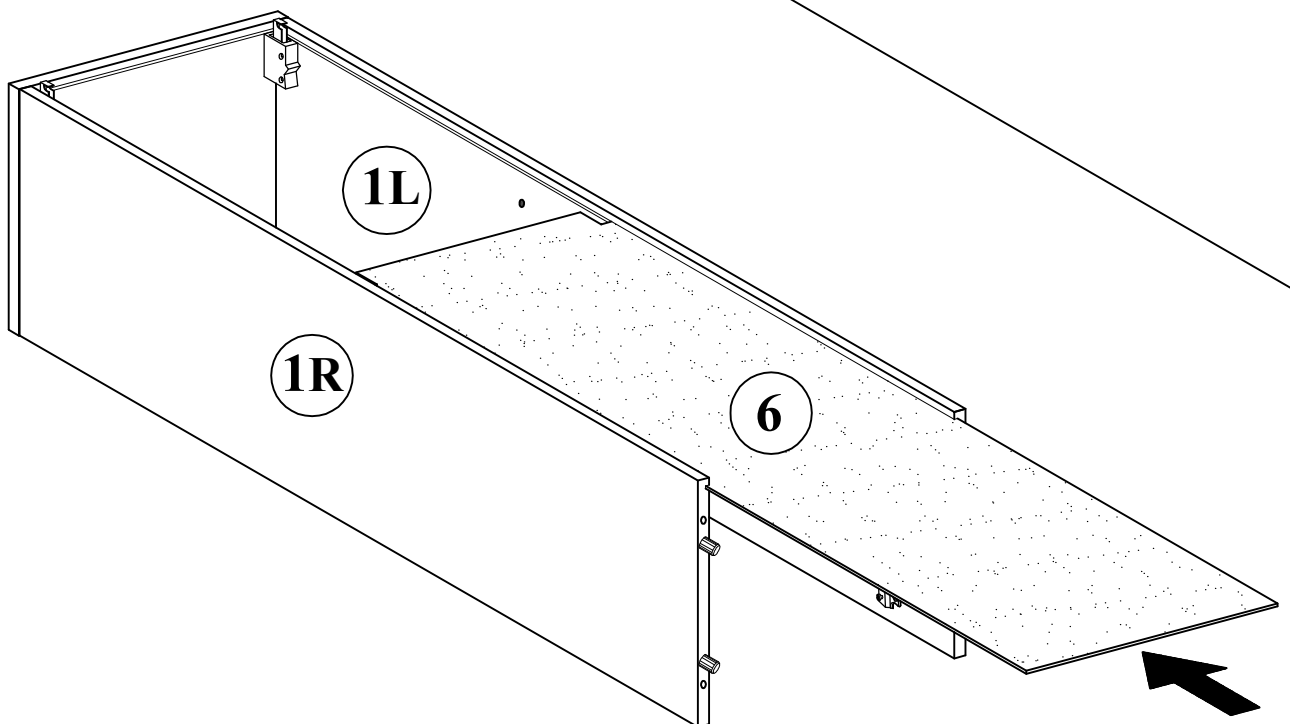
ROSSI 2



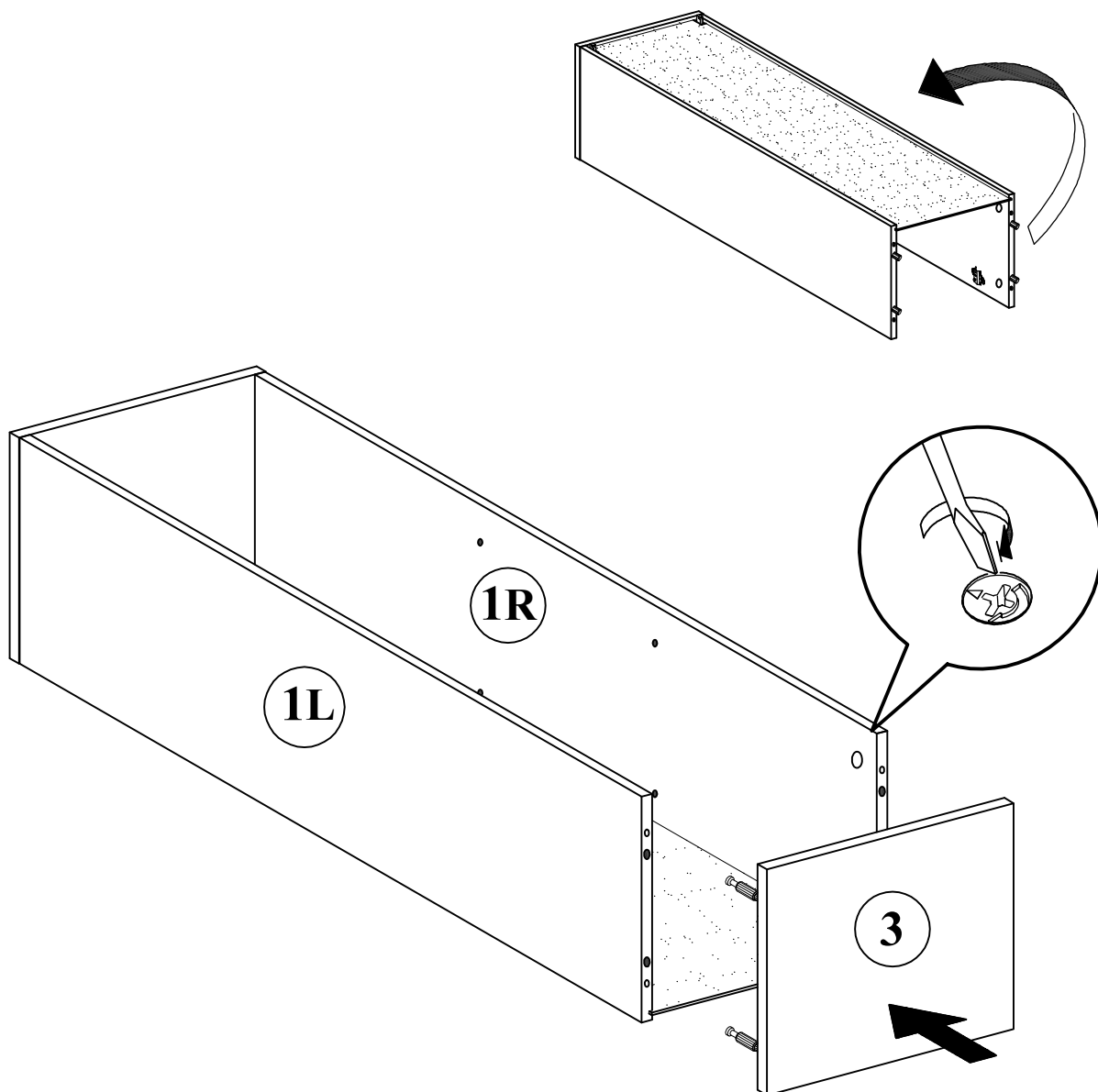
23



24



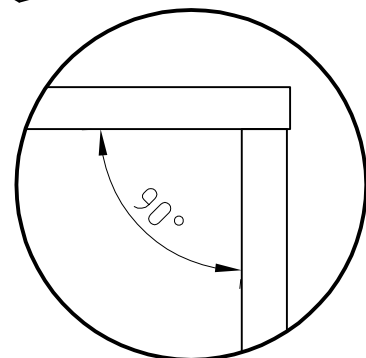
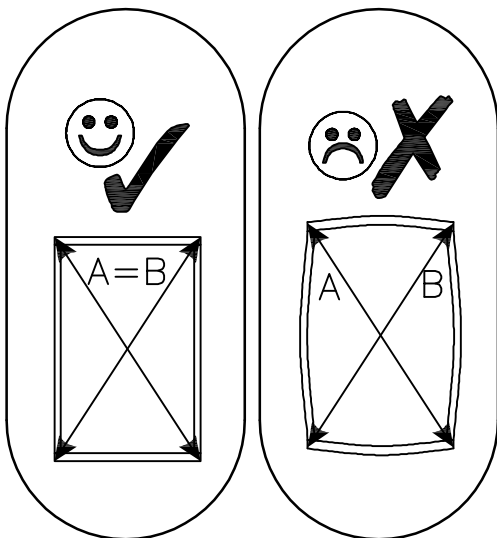
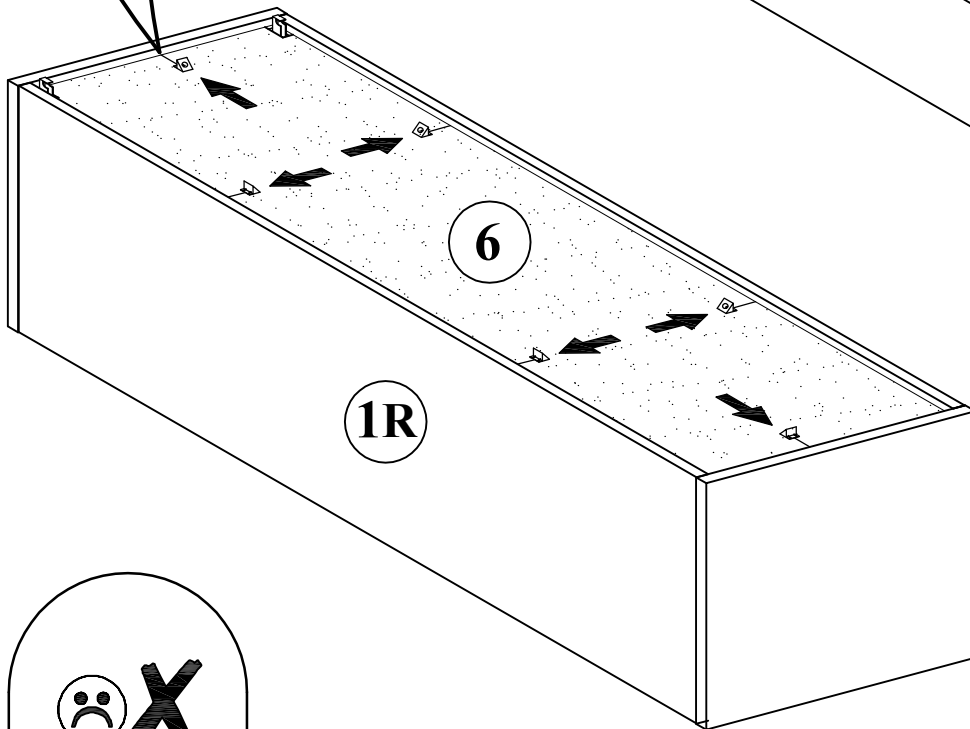
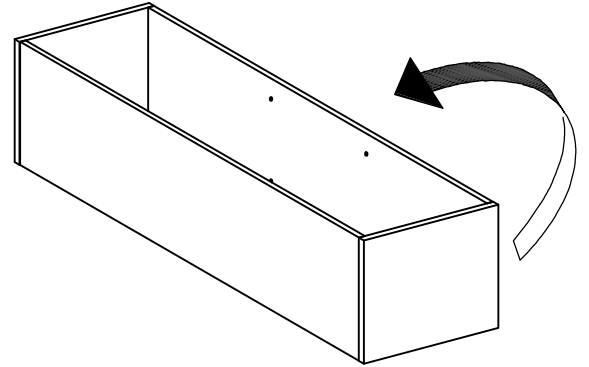
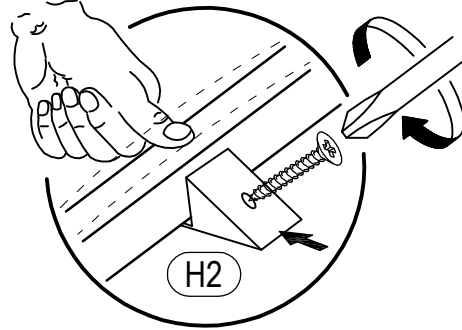
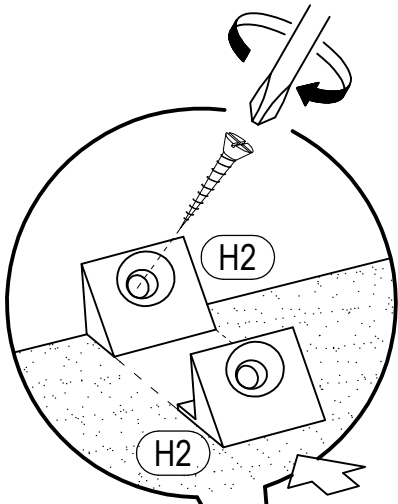
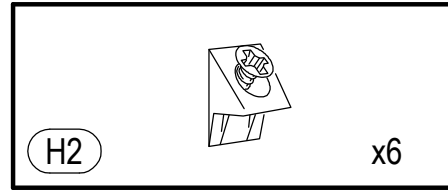
25



C

ROSSI 2

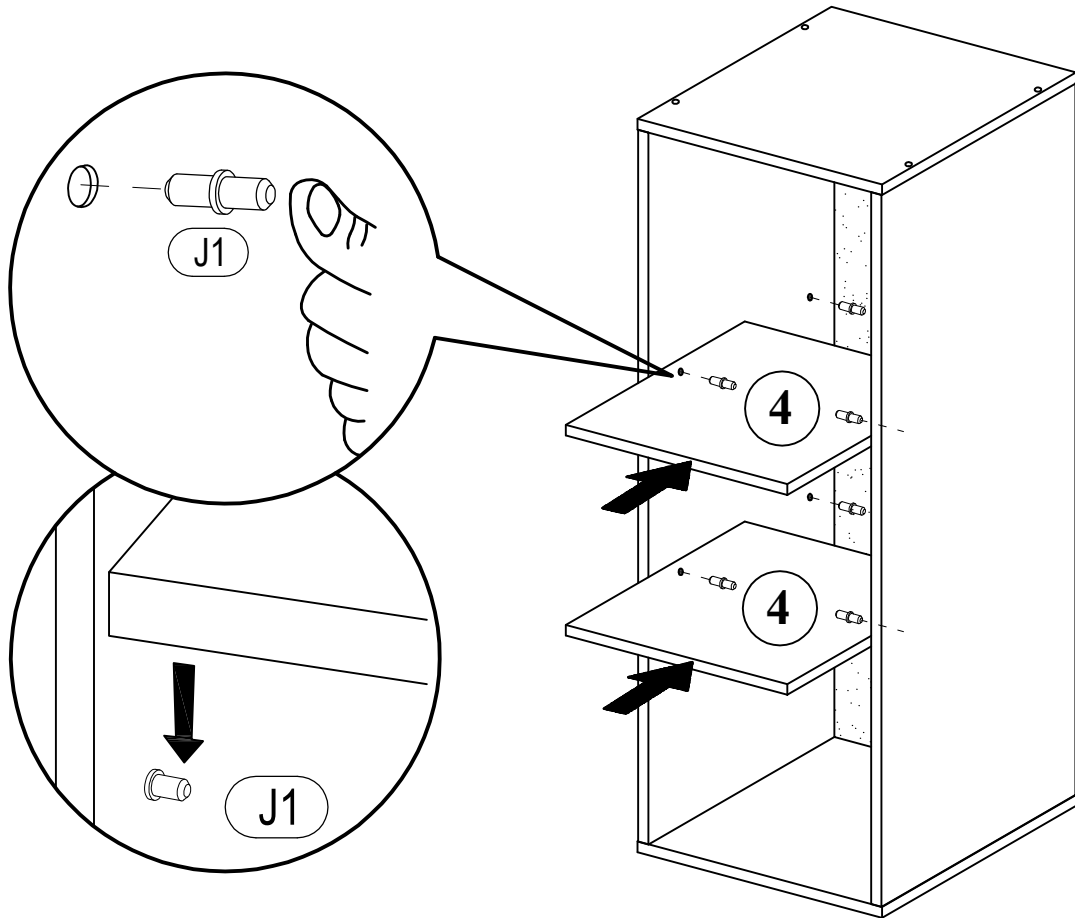
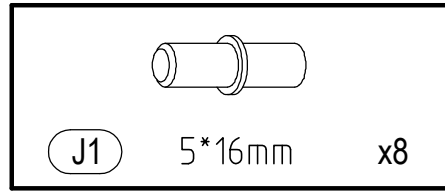
26



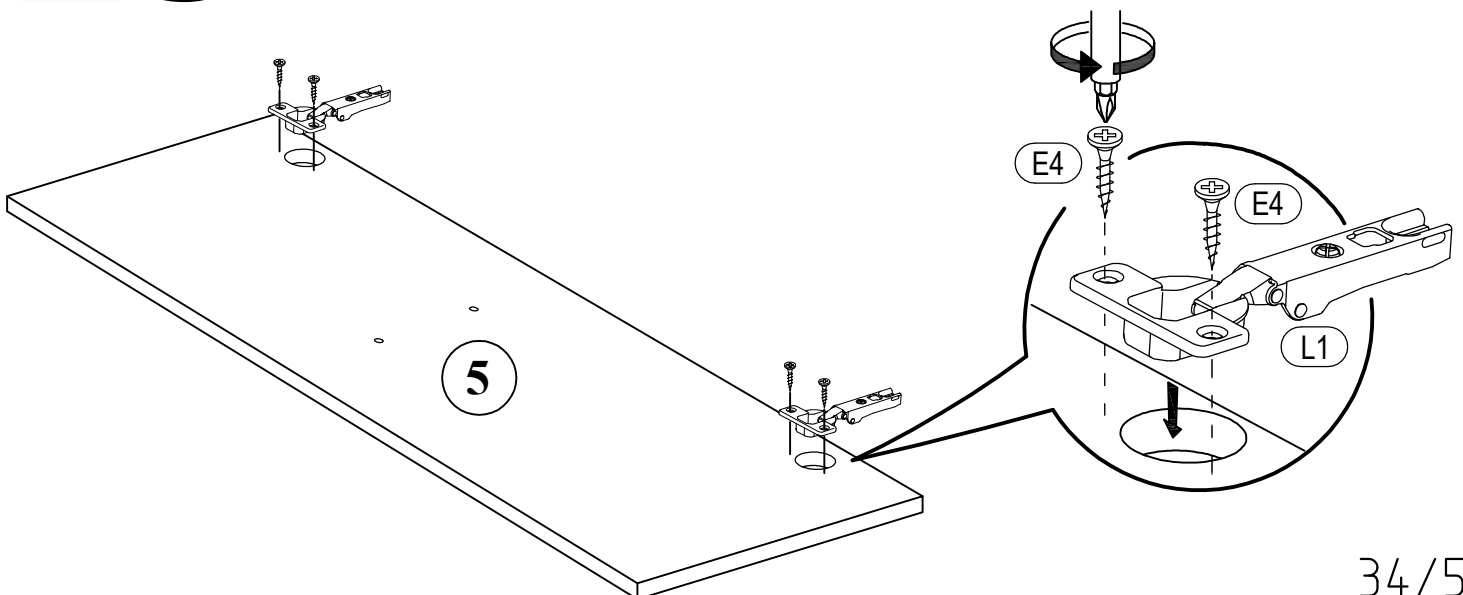
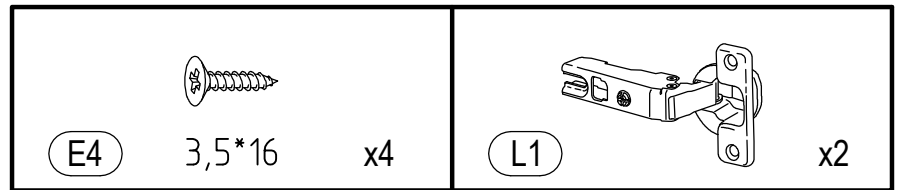
C

ROSSI 2

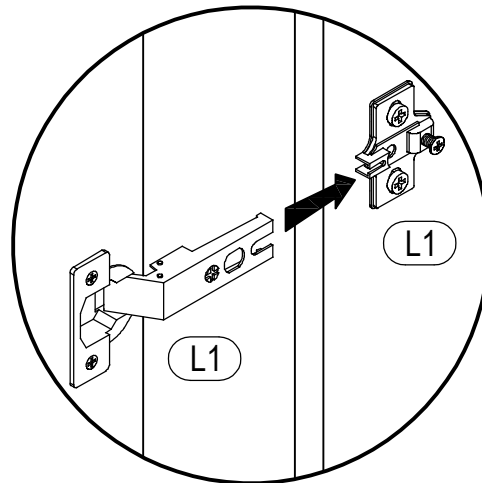
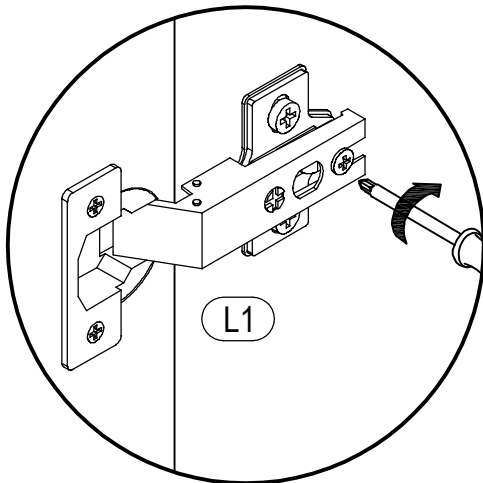
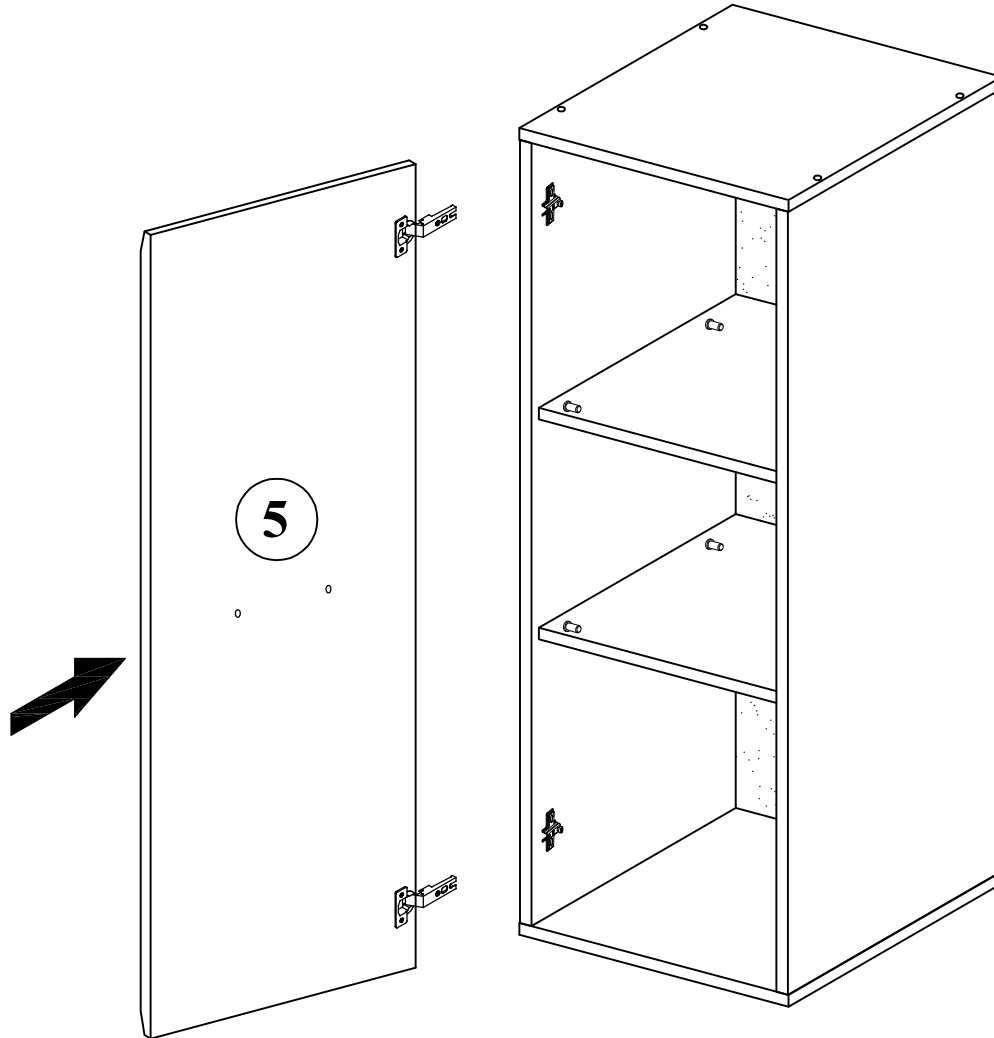
27




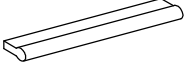



28

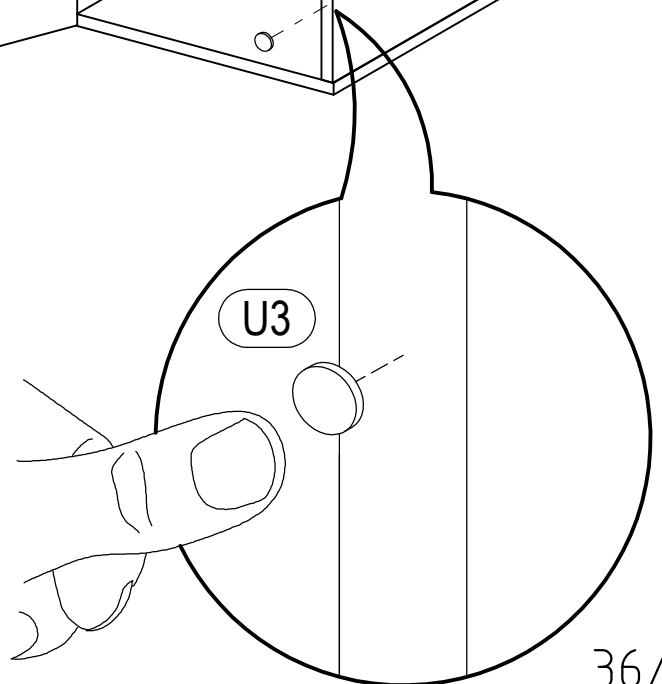
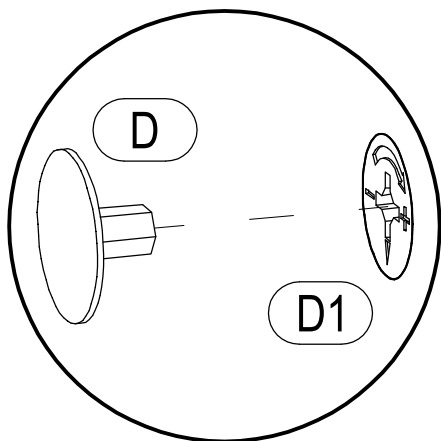
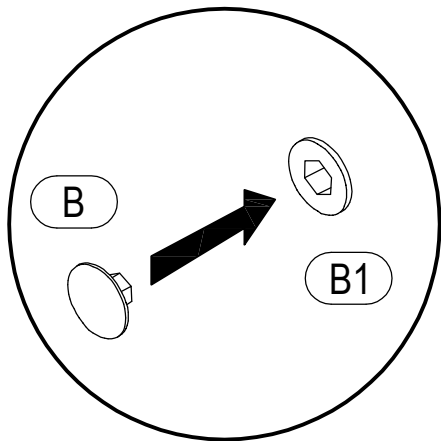
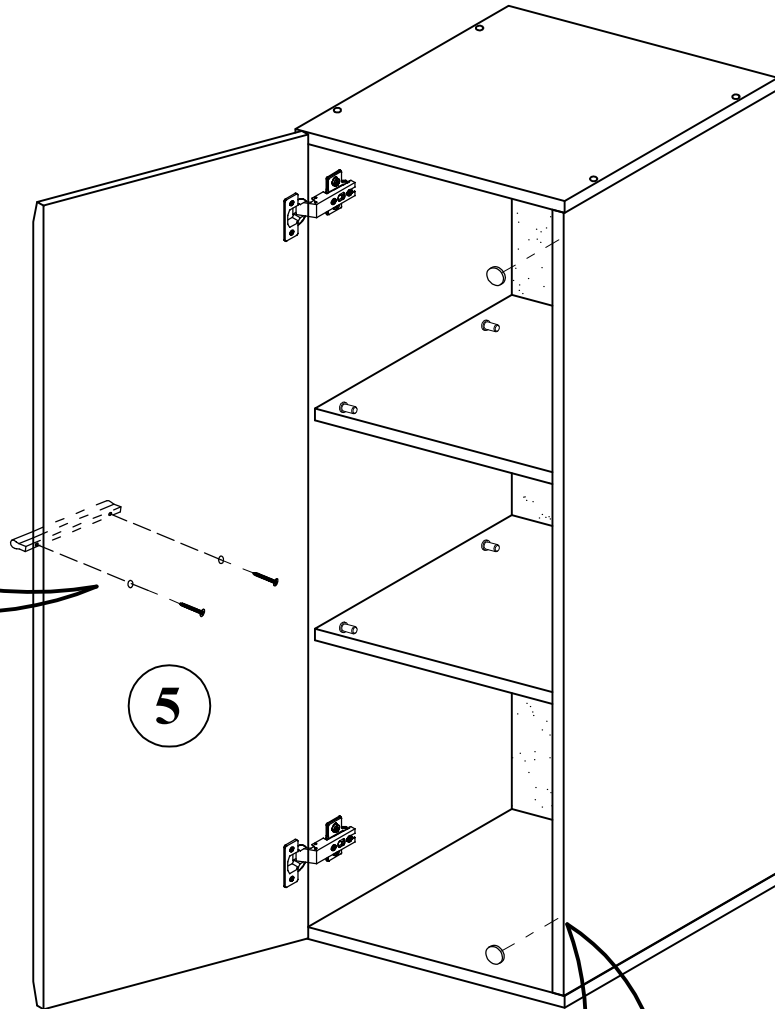
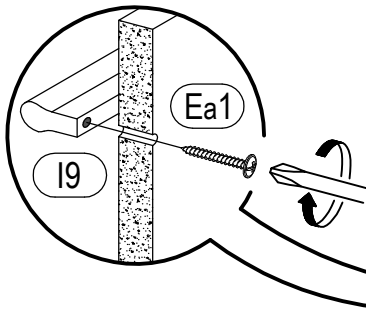


29



 B x4	 D x4	 Ea1 3,5*27mm x2
	 I9 x1	 U3 x2

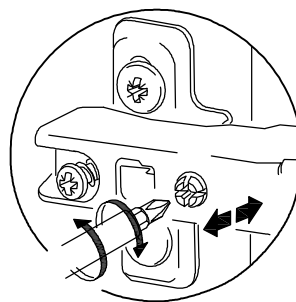
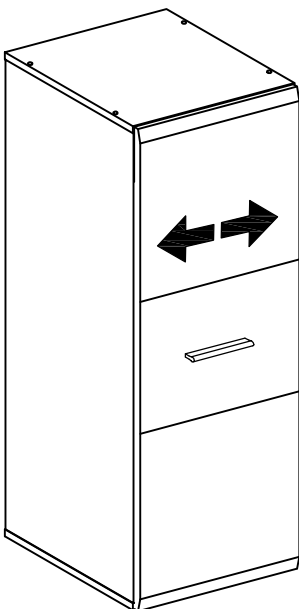
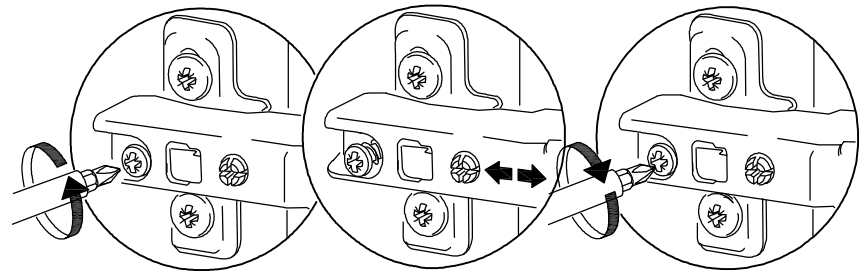
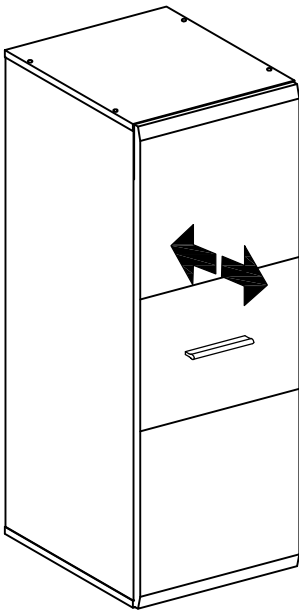
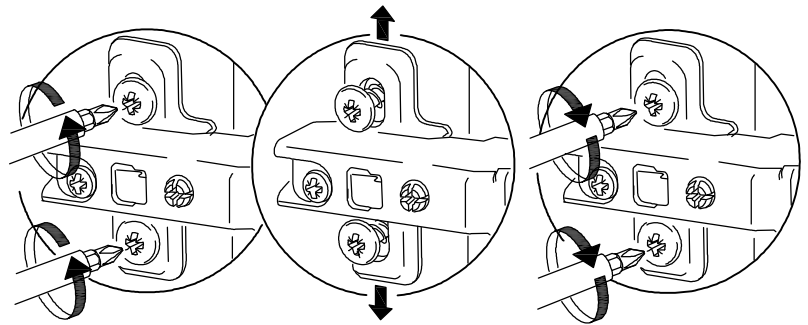
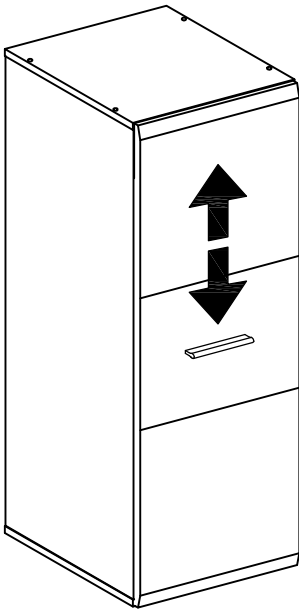
30



31

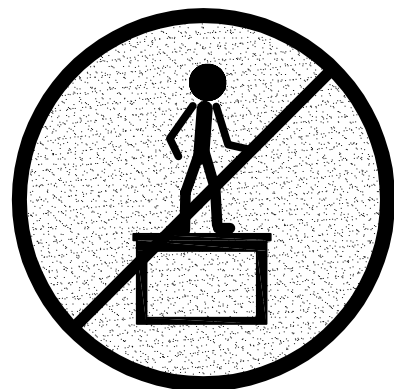
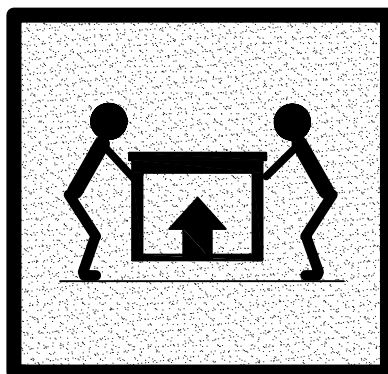
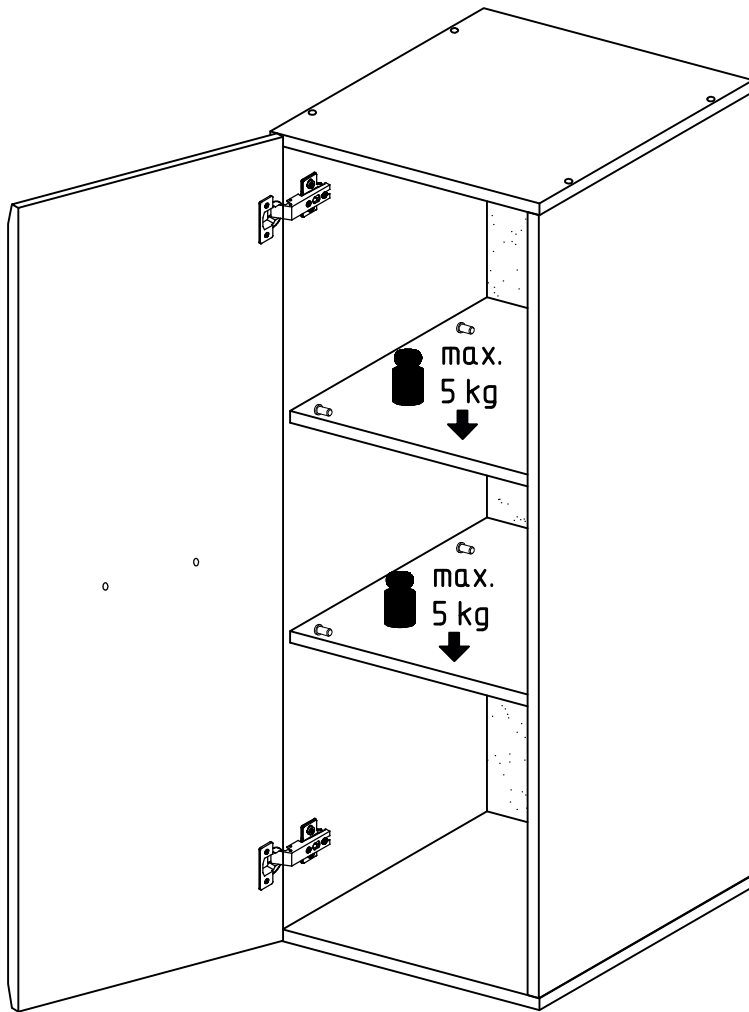
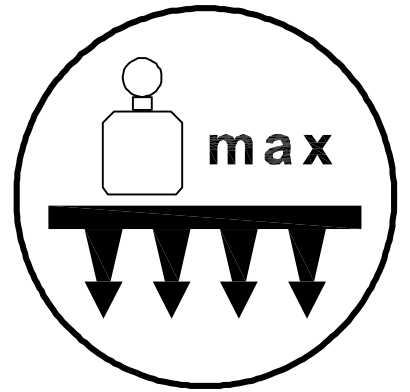
C

ROSSI 2



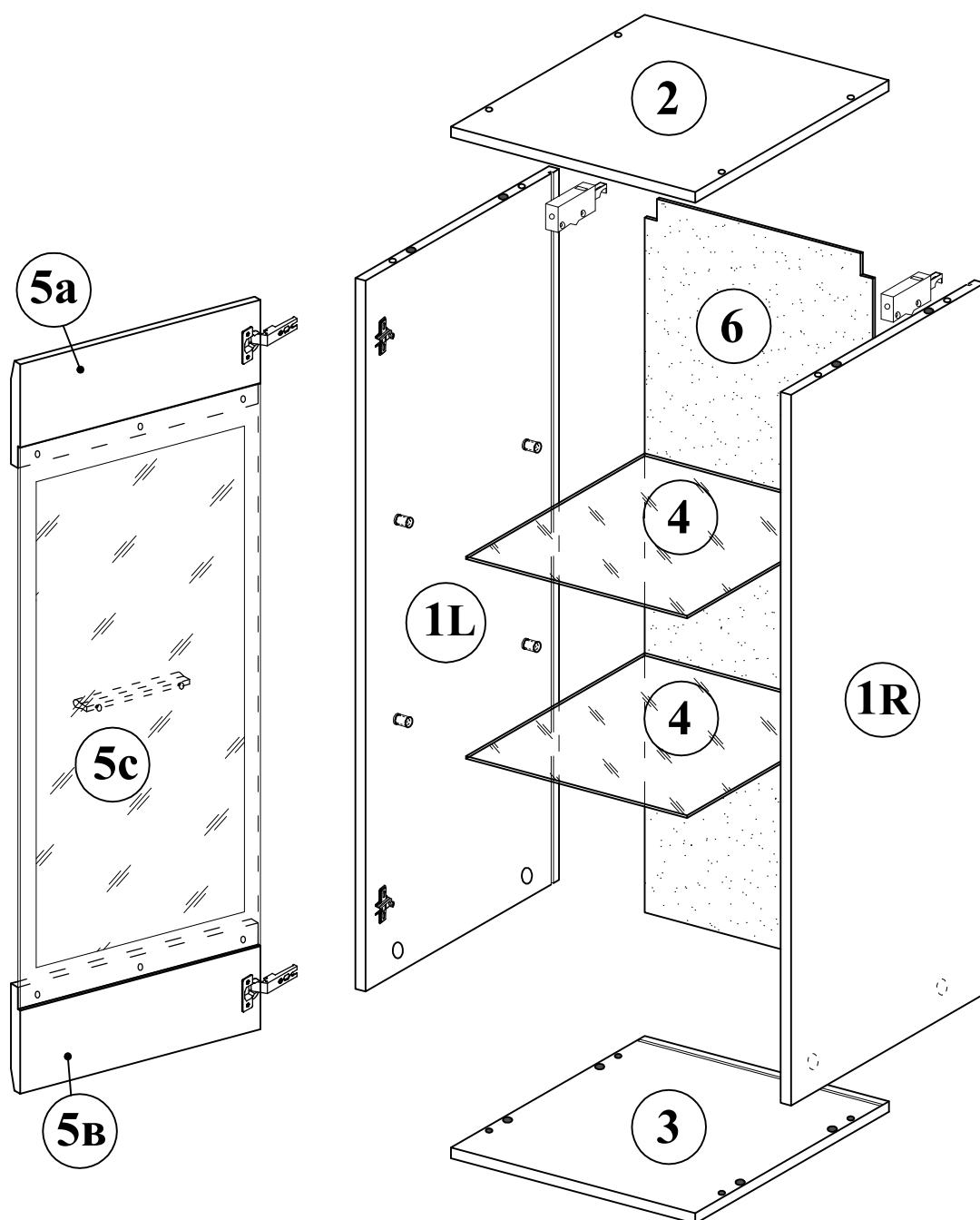
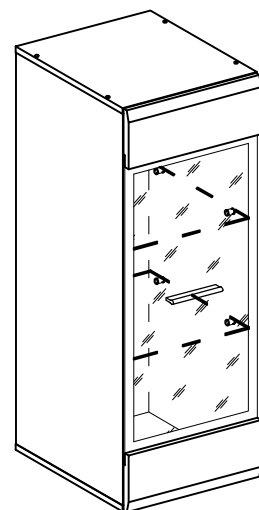
C




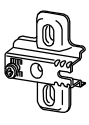
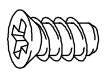
ROSSI 2



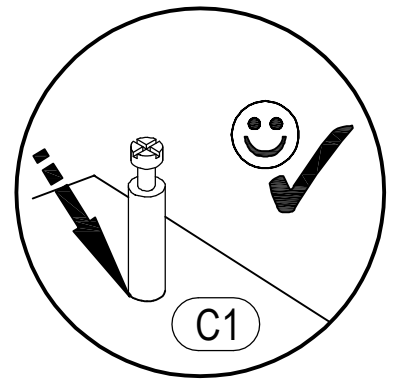
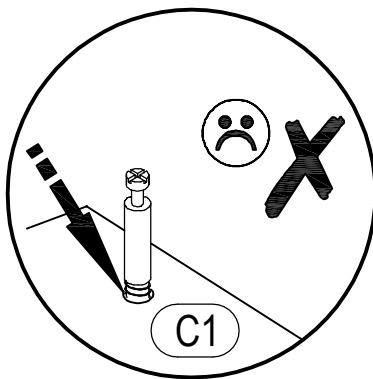
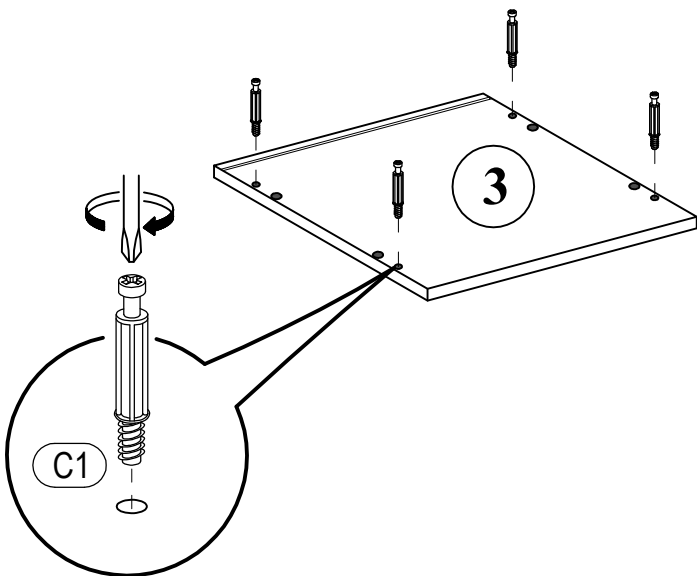
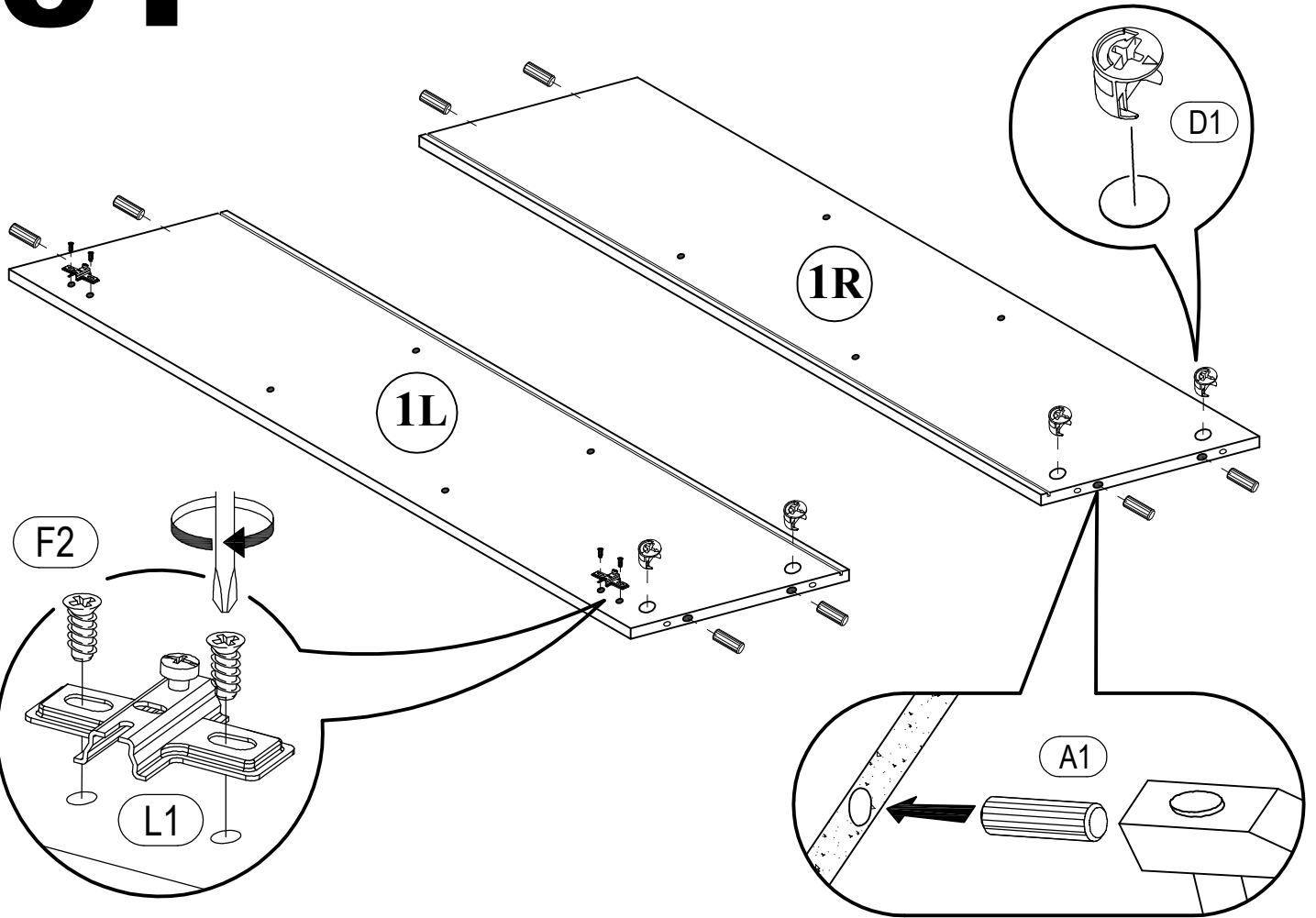
D

ROSSI 2



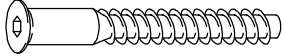
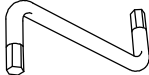
 (A1) 8*30mm x8	 (C1) 5*30mm x4	 (D1) 16mm x4
	 (L1) x2	 (F2) 6,3*13mm x4

31

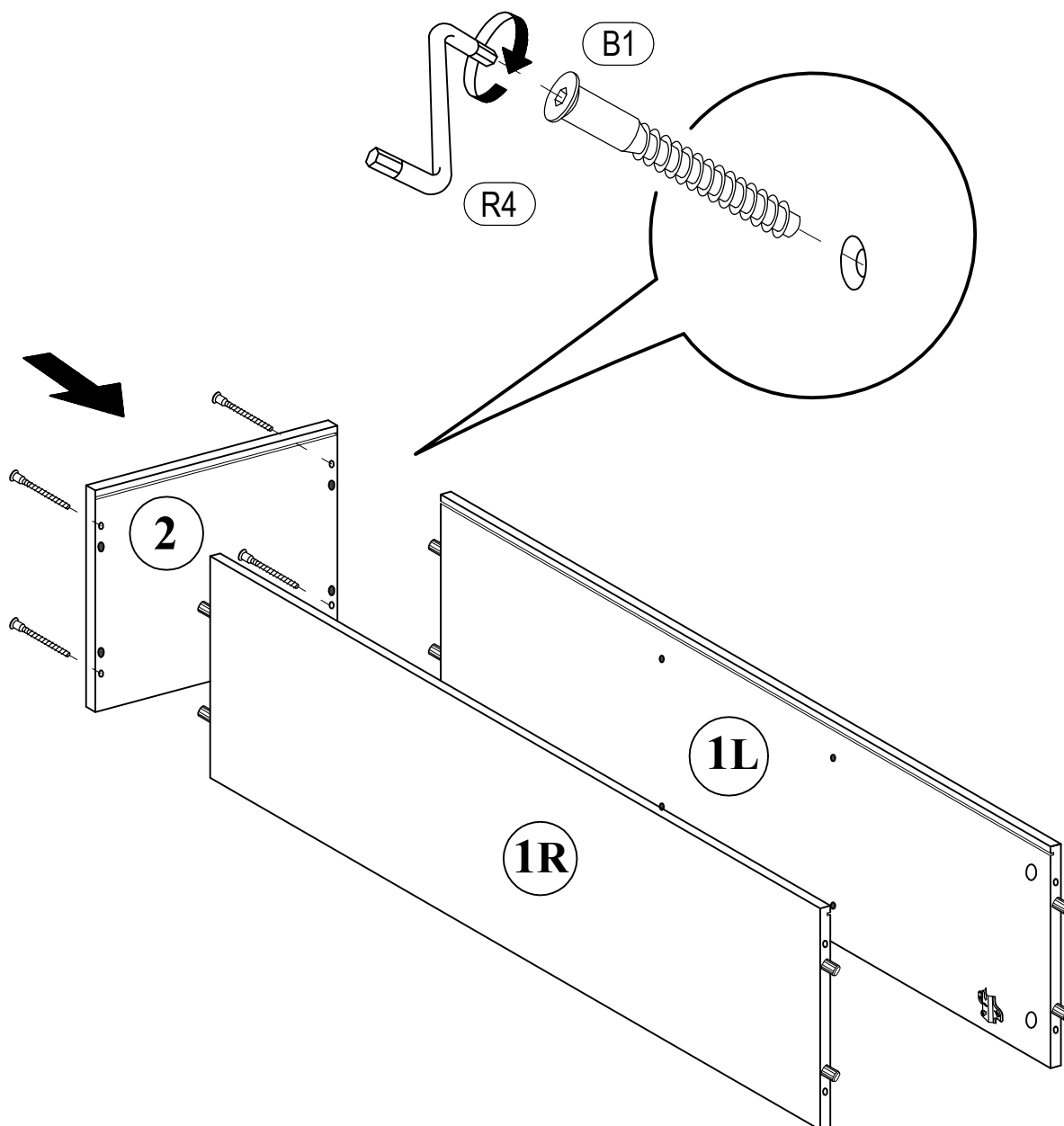


D

ROSSI 2

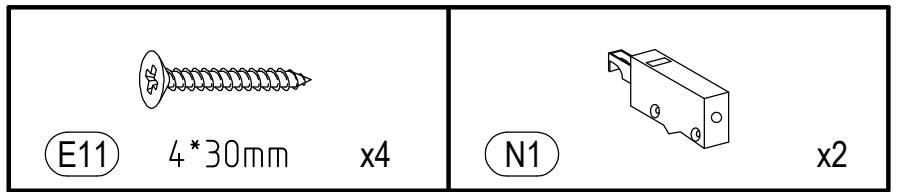
	
B1 6,3*50mm x4	R4 N°4 x1

32

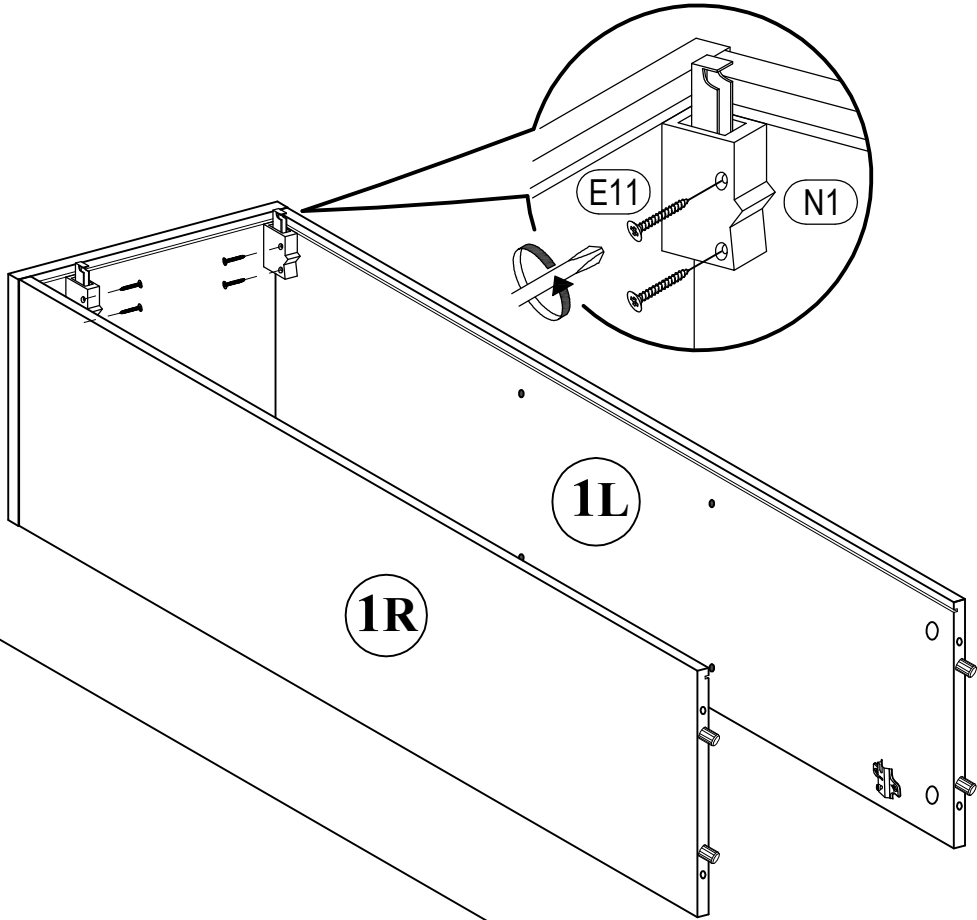


D

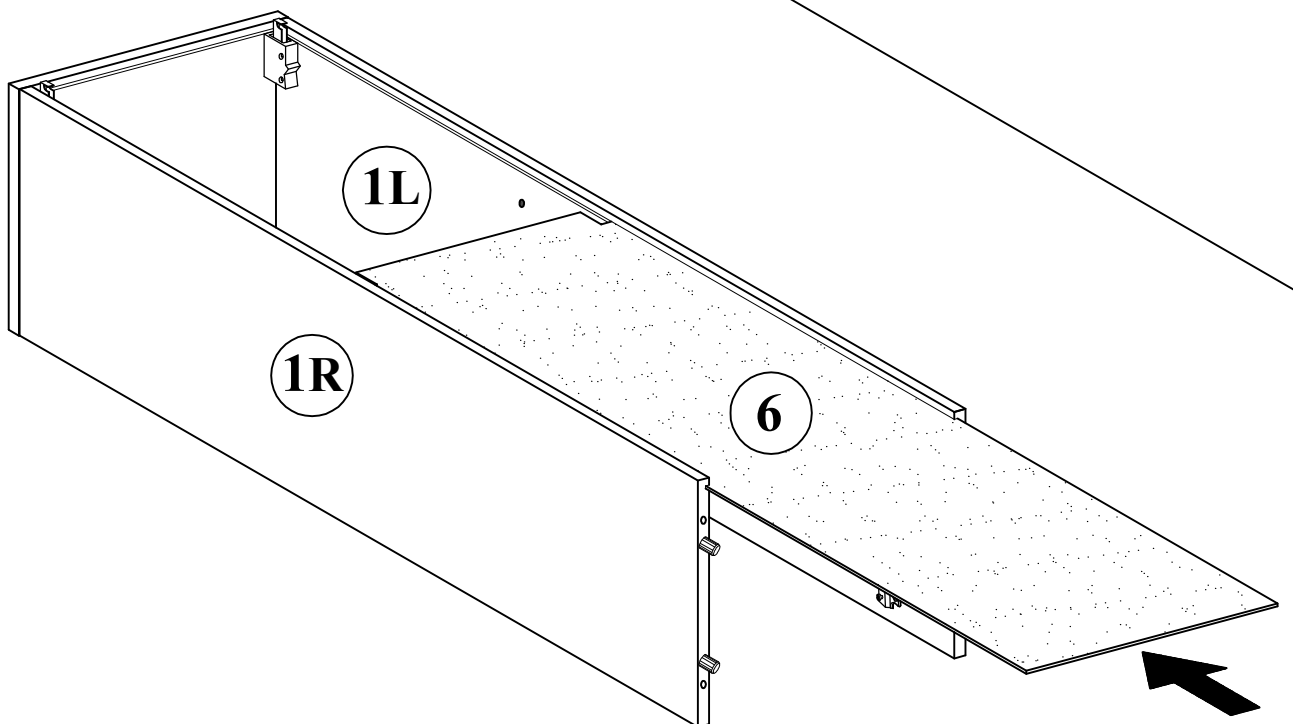
ROSSI 2



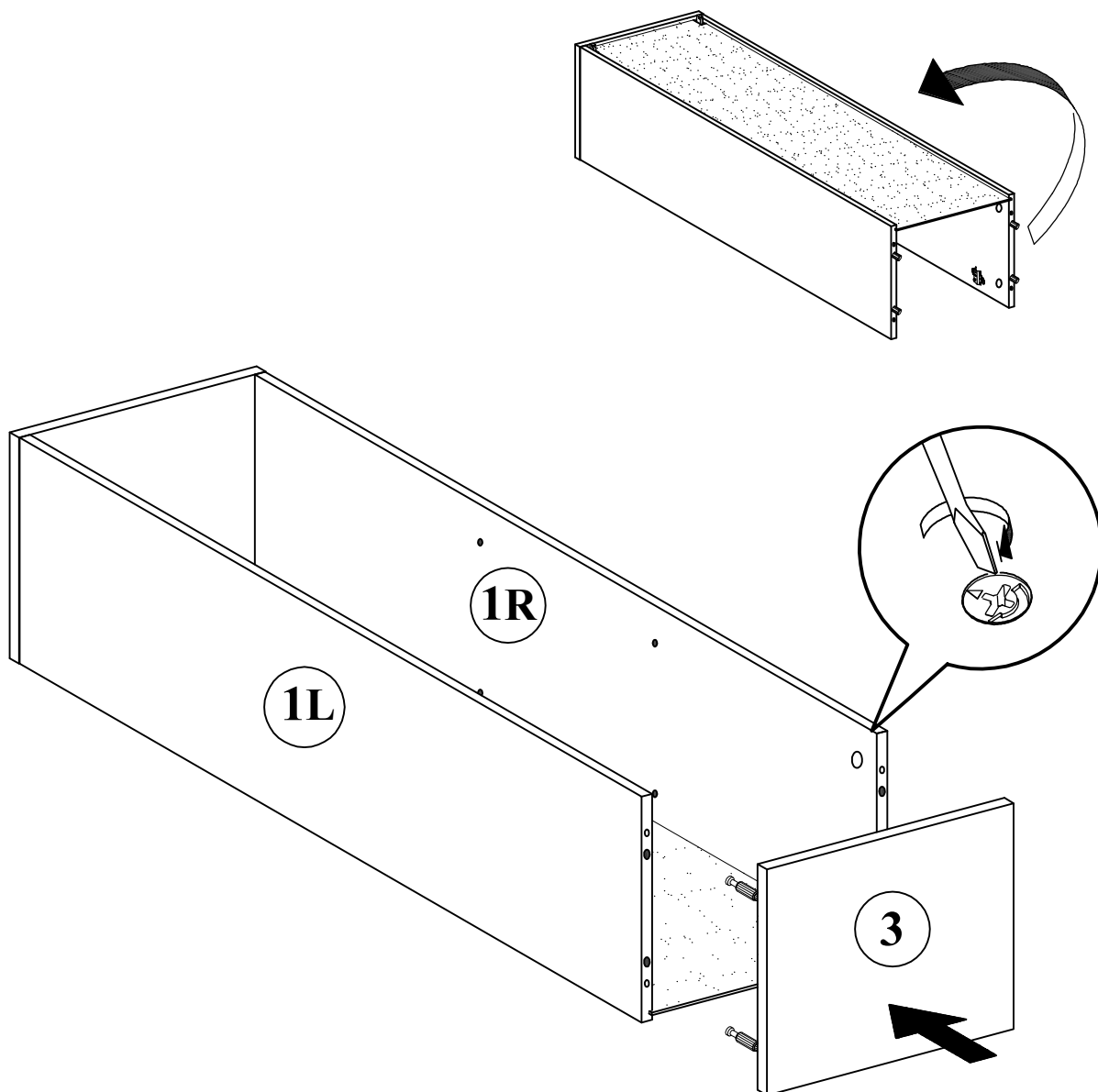
33



34



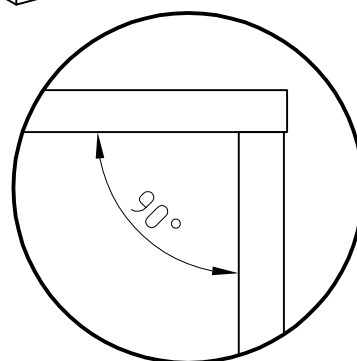
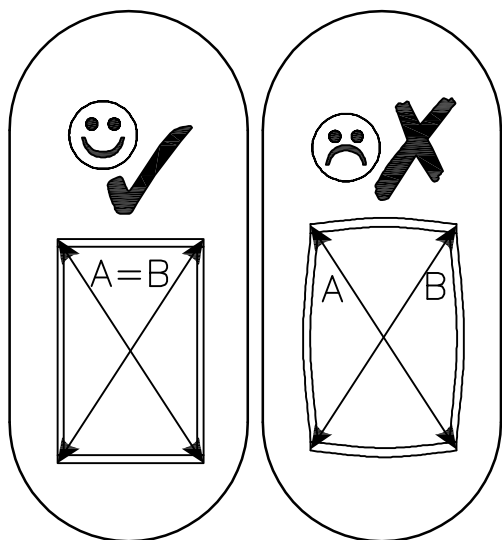
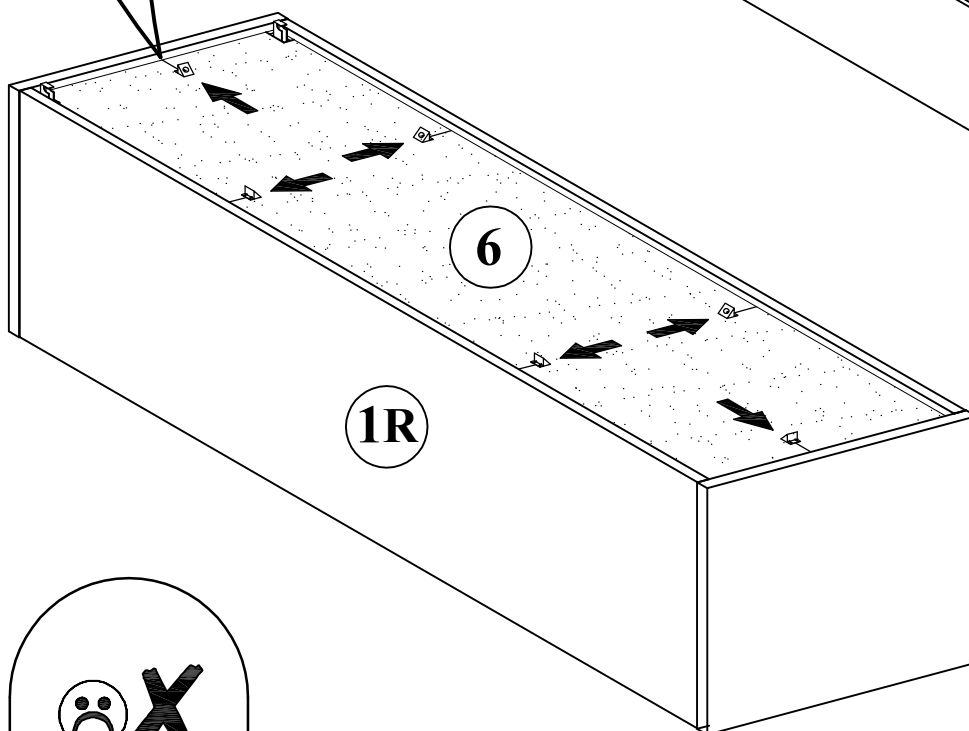
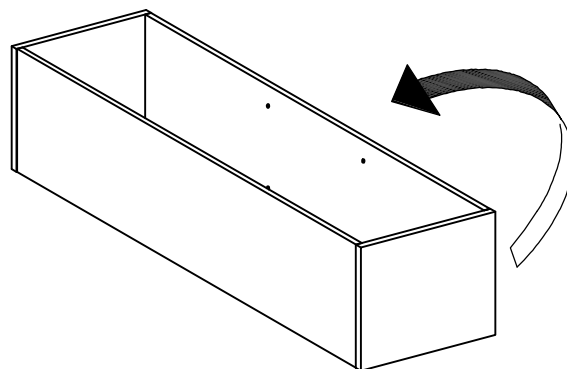
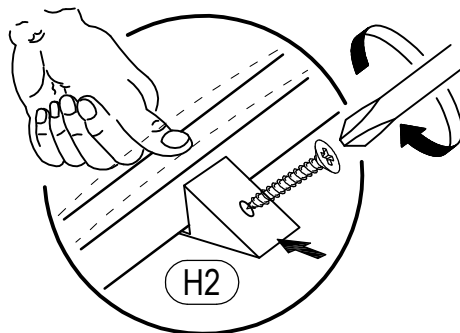
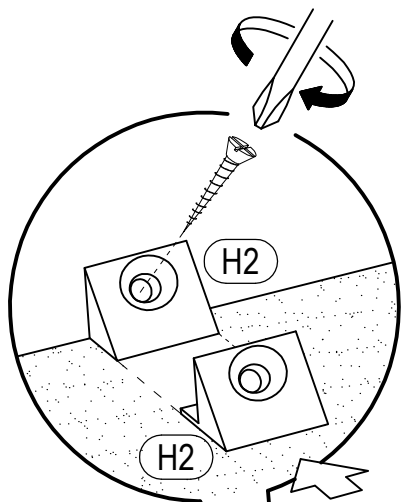
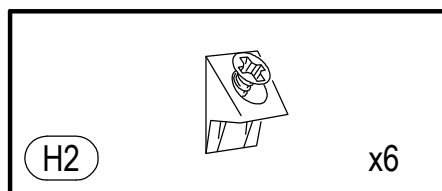
35



D

ROSSI 2

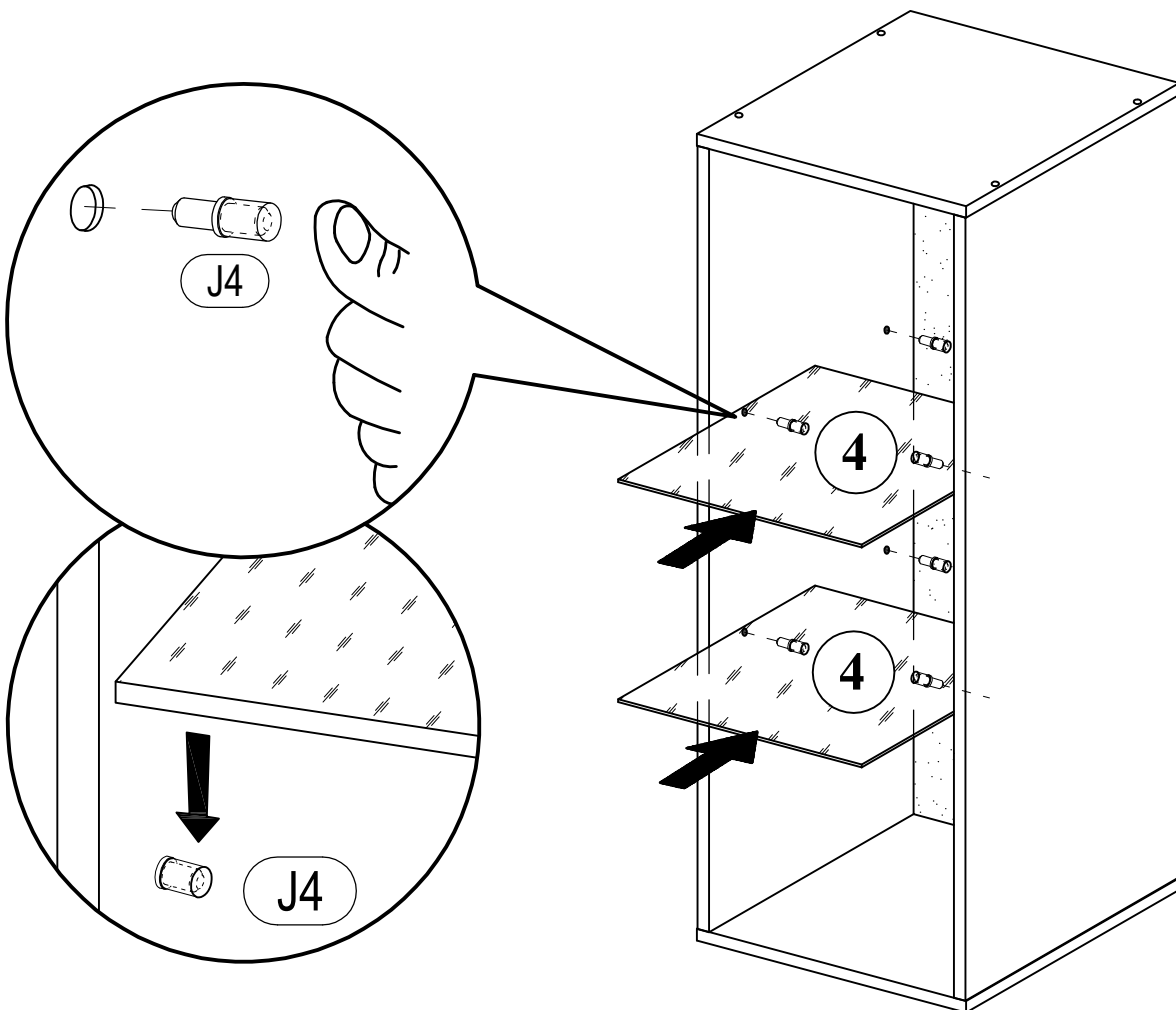
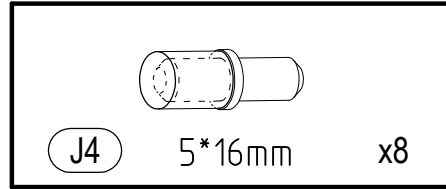
36


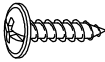
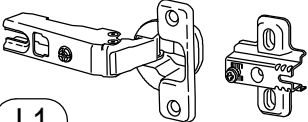
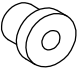


D

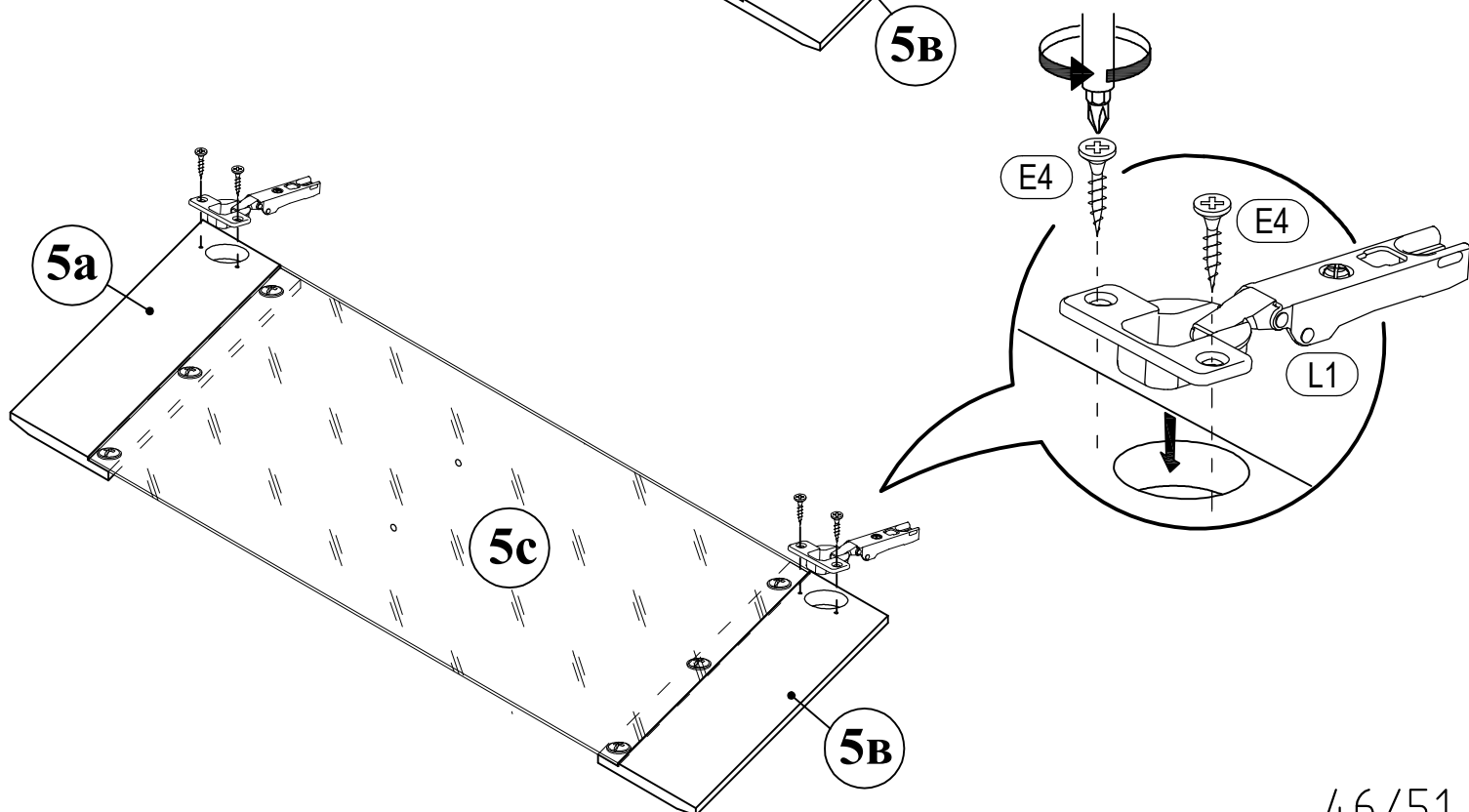
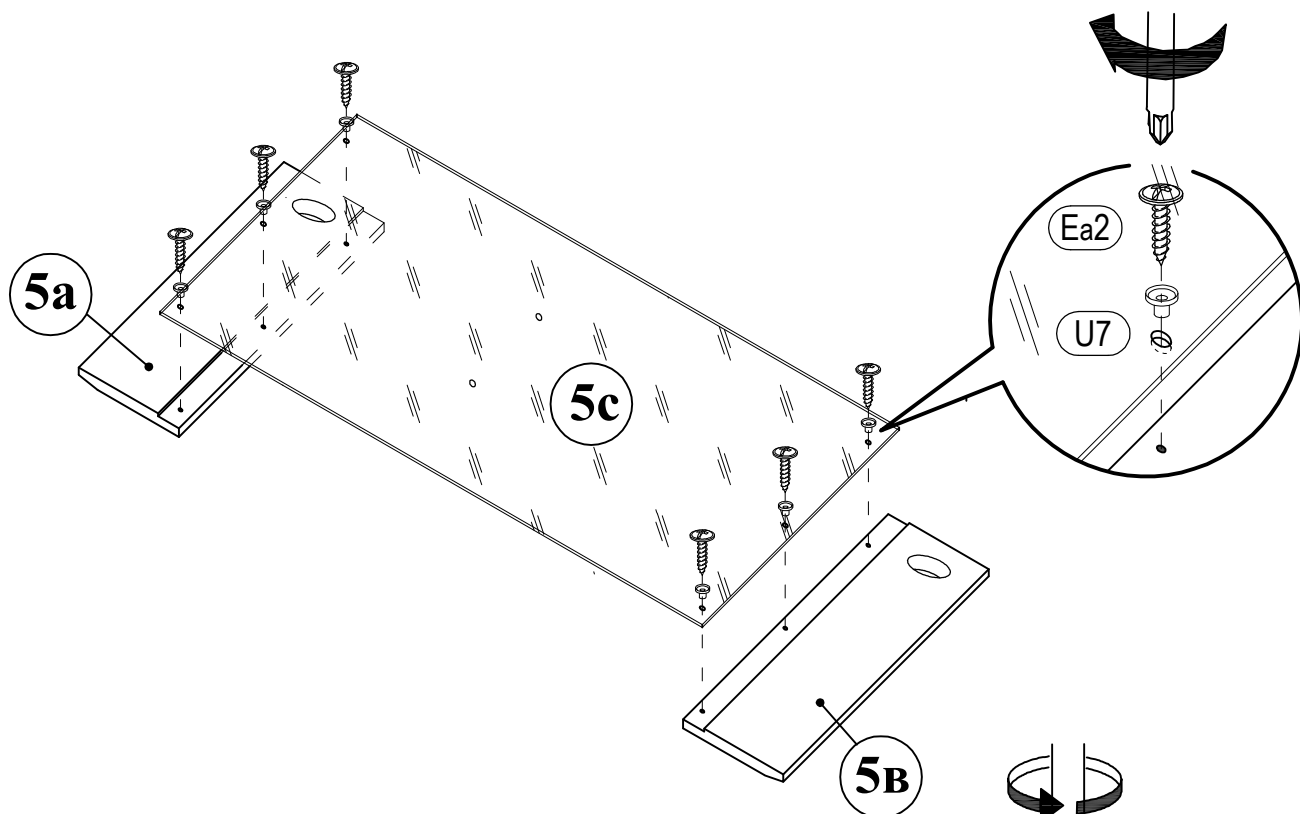
ROSSI 2

37

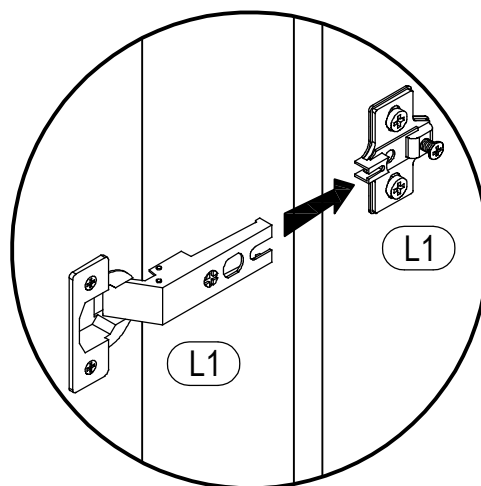
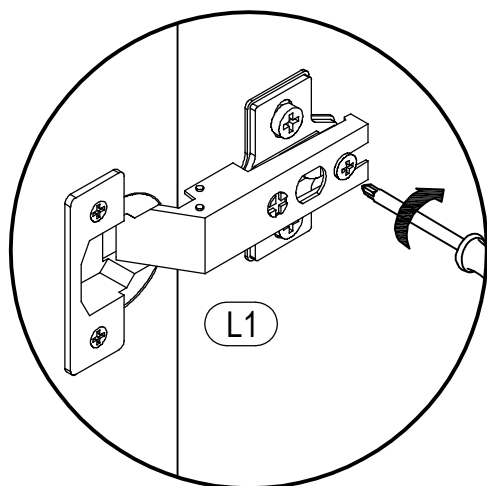
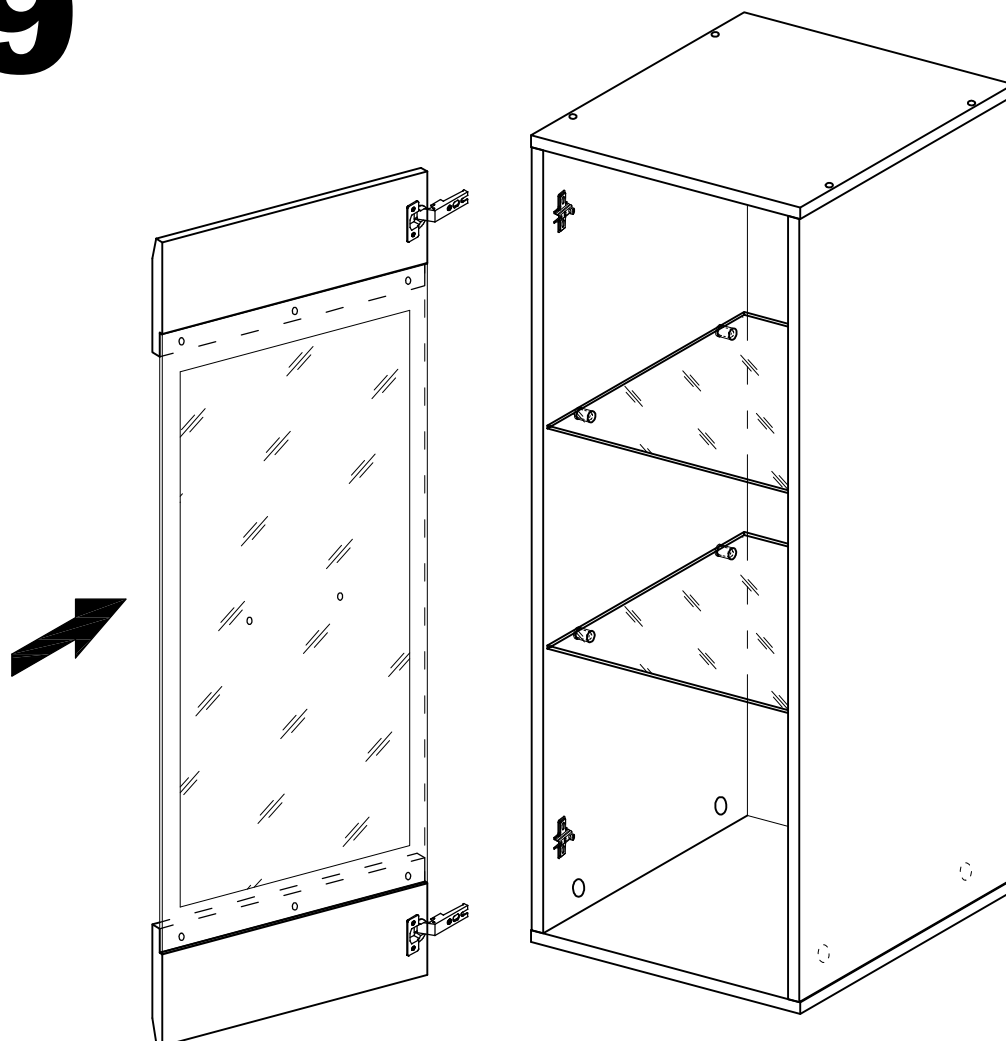


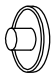
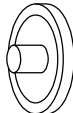
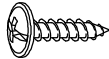
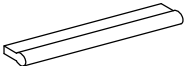


 <p>E4 3,5*16 x4</p>	 <p>Ea2 4,2*16mm x6</p>	 <p>L1 x2</p>
 <p>U7 x6</p>		

38

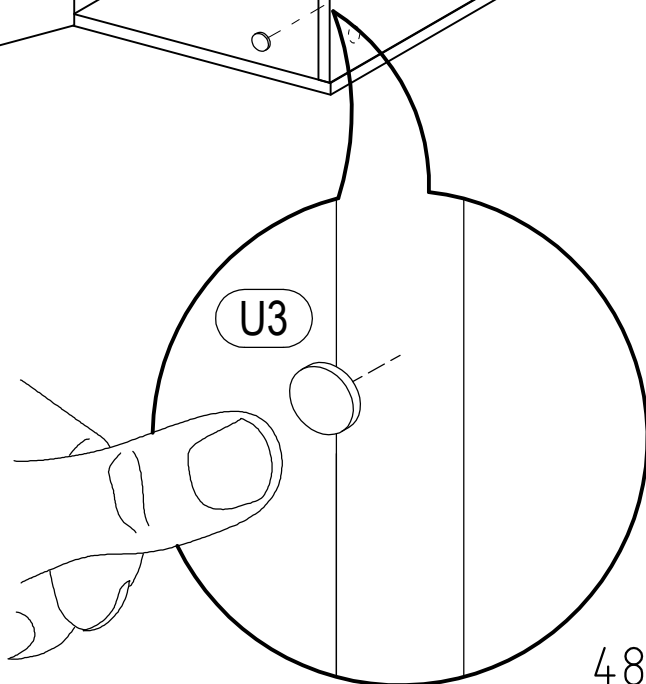
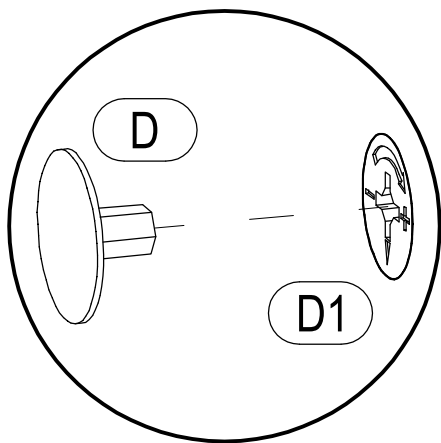
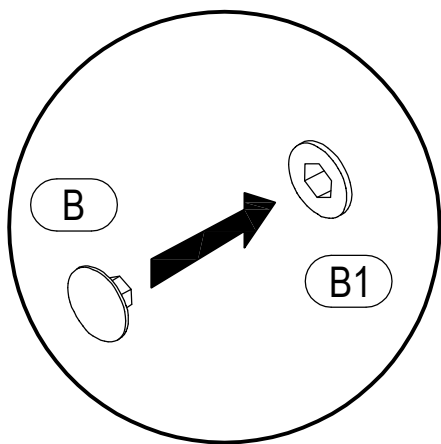
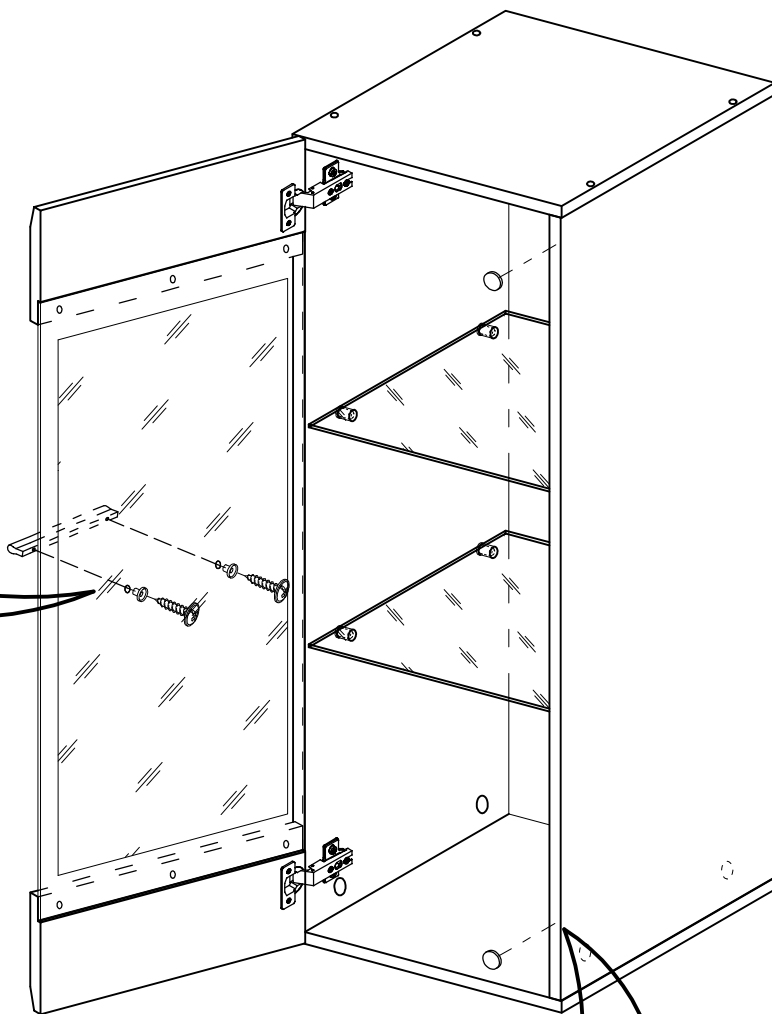
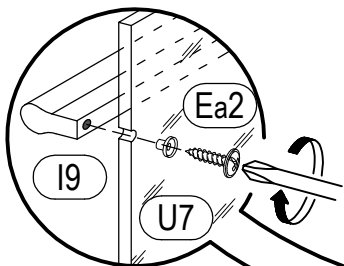


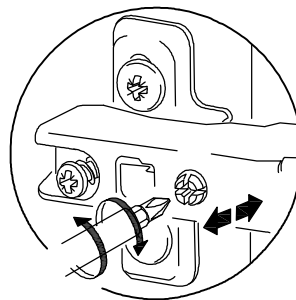
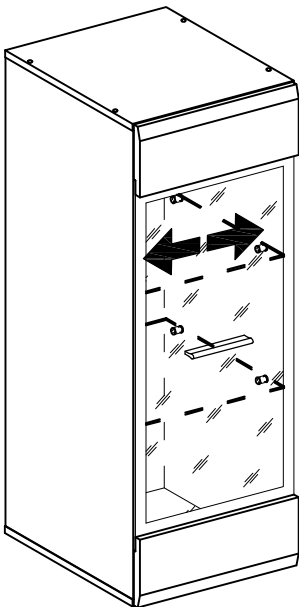
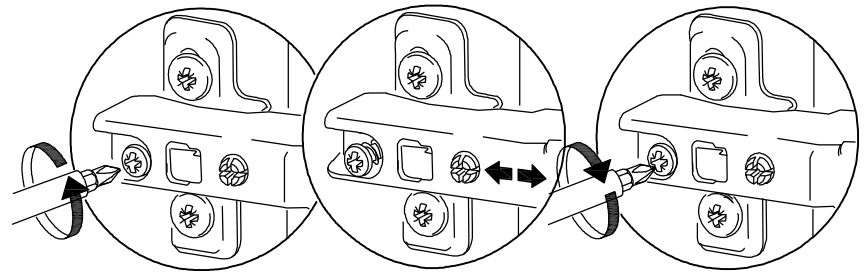
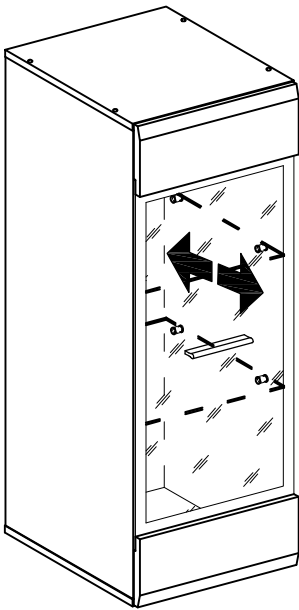
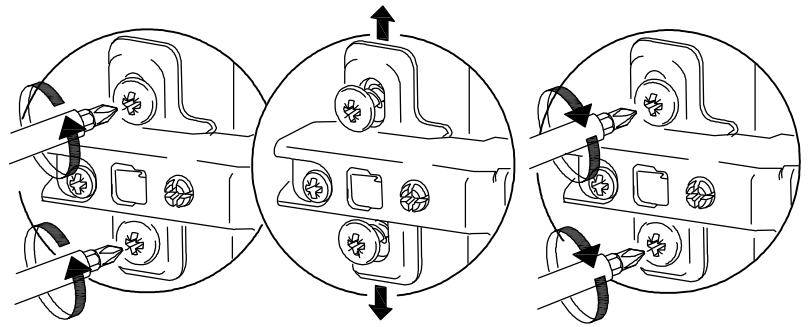
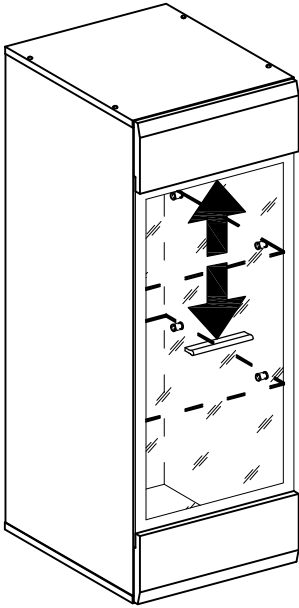
39

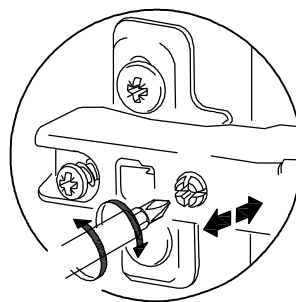
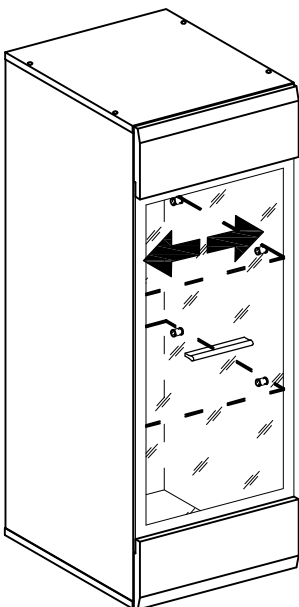
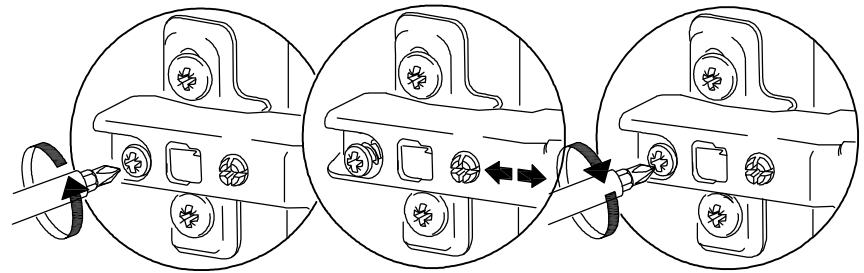
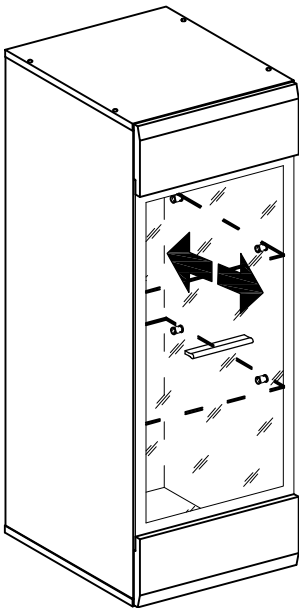
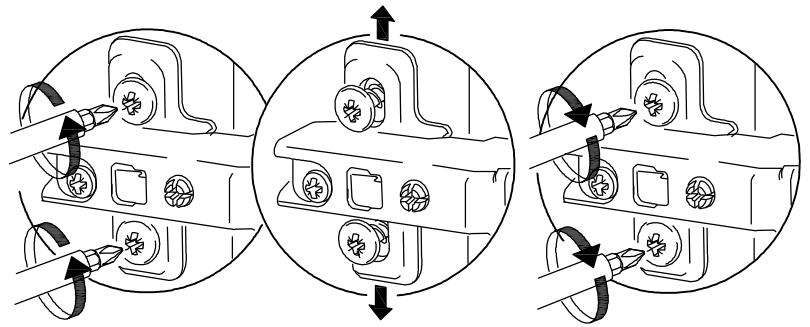
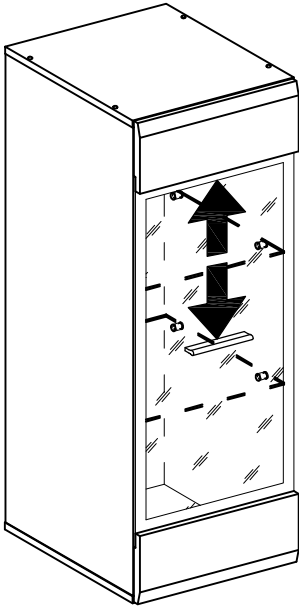


 B x4	 D x4	 Ea2 4,2*16mm x2
 I9 x1	 U3 x2	 U7 x2

40







C

ROSSI 2

