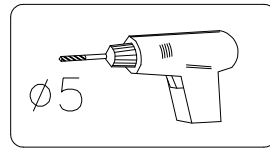
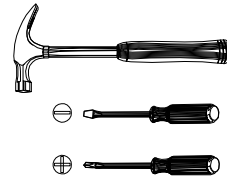
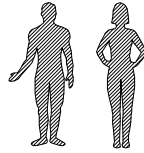
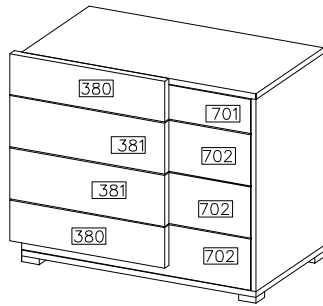
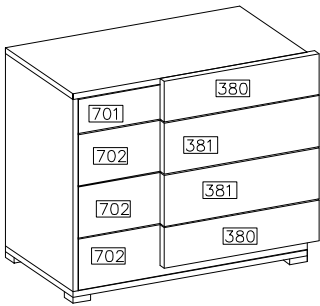
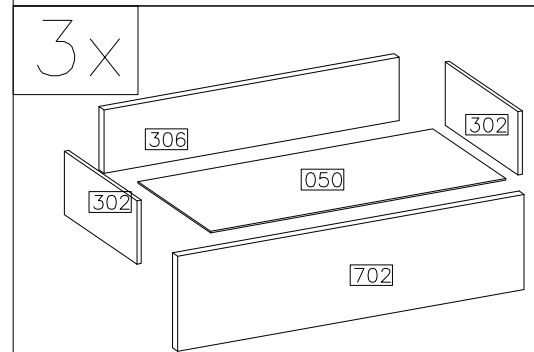
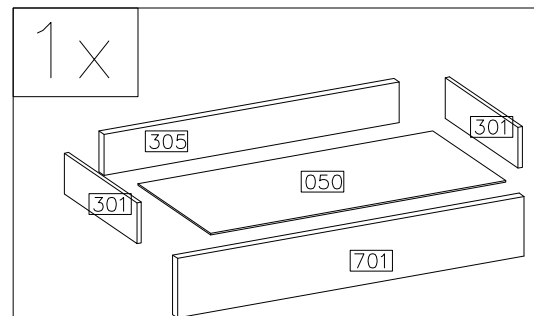
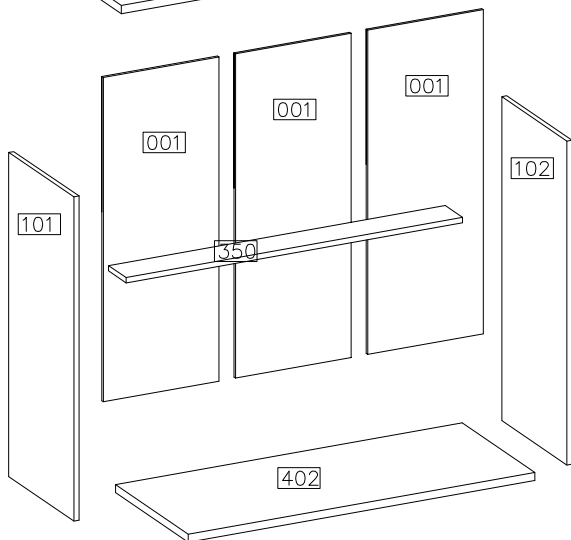
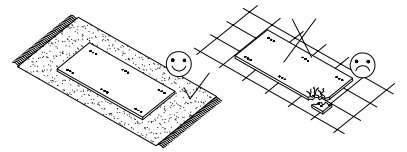
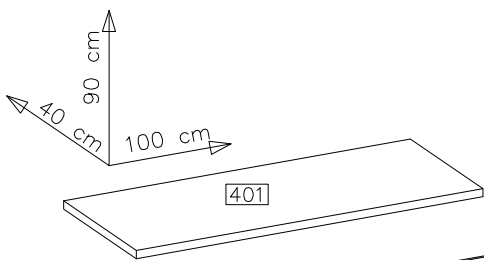


# BAFRA-4S

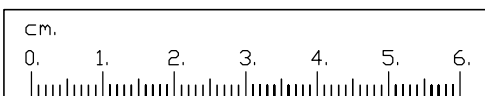
46



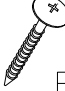
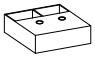
| #  | ART. NR | QUANTITY |
|----|---------|----------|
| 1  | 401     | 1        |
| 2  | 402     | 1        |
| 3  | 101     | 1        |
| 4  | 102     | 1        |
| 5  | 701     | 1        |
| 6  | 301     | 2        |
| 7  | 305     | 1        |
| 8  | 050     | 4        |
| 9  | 702     | 3        |
| 10 | 302     | 6        |
| 11 | 306     | 3        |
| 12 | 001     | 3        |
| 13 | 350     | 1        |
| 14 | 380     | 2        |
| 15 | 381     | 2        |

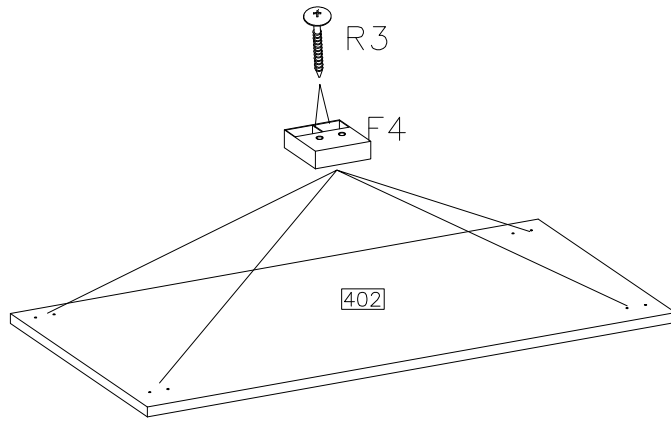


|    |          |      |         |           |          |    |
|----|----------|------|---------|-----------|----------|----|
|    | ∅15/12mm |      | ∅8x30mm | ∅4.0x16mm | 4.0x40mm |    |
| D1 | C        | E    | A       | P1        | R2       | C2 |
| 10 | 10       | 10   | 42      | 48        | 16       | 16 |
|    |          |      |         |           |          |    |
| R3 | F4       | I4   | Z1      | F10       | O11      |    |
| 8  | 4        | 4KPL | 2       | 80        | 4        |    |



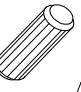


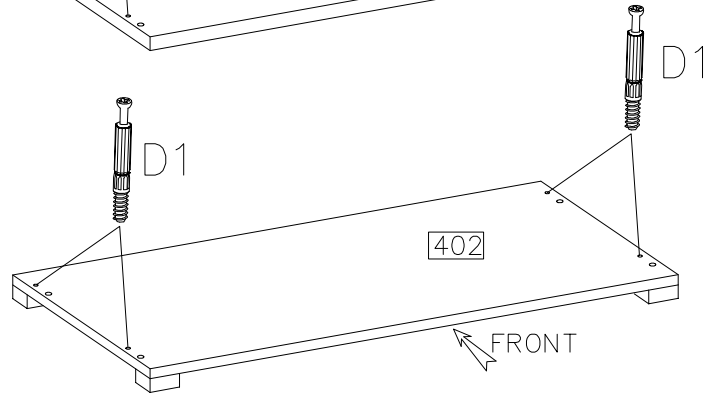
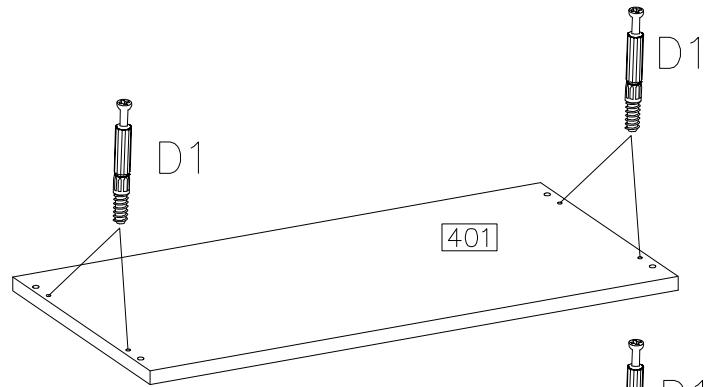
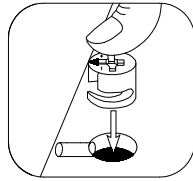
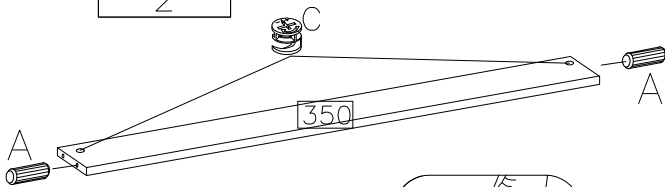
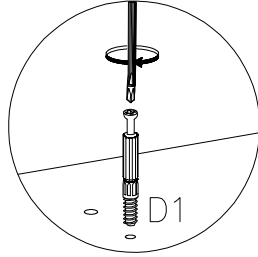
1

|  |  |
|--|--|
| 4.0x35mm<br><br>R3<br>8 | <br>F4<br>4 |
|--|--|

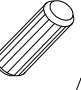



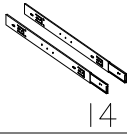


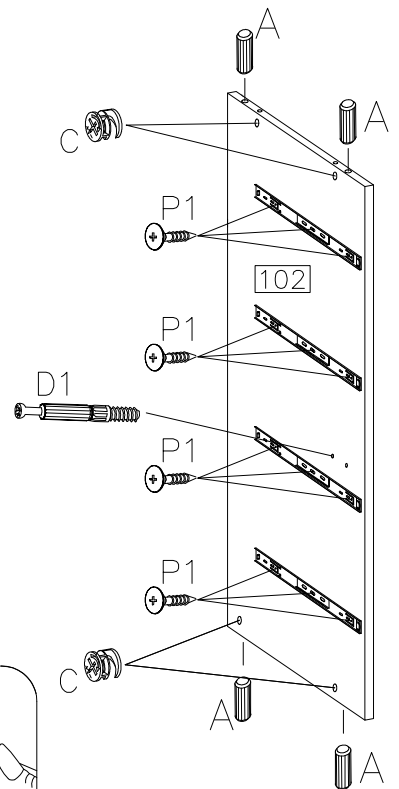
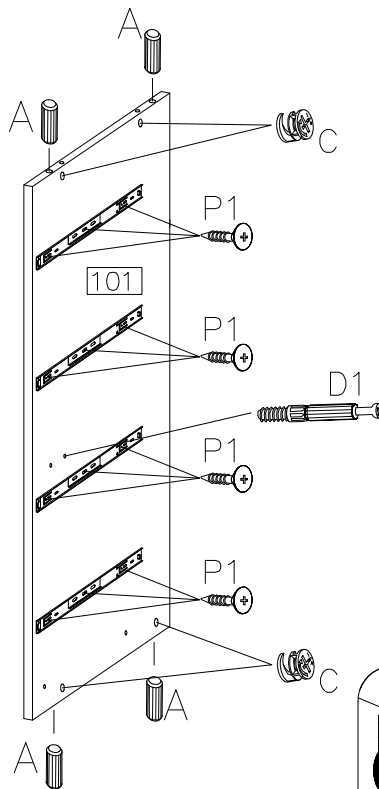
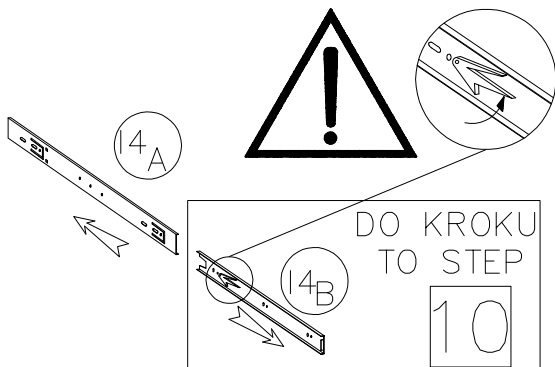
2

|   |   |
|---|---|
| <br>D1<br>8                                      | $\varnothing 15/12\text{mm}$<br><br>C<br>2 |
| $\varnothing 8 \times 30\text{mm}$<br><br>A<br>2 |   |

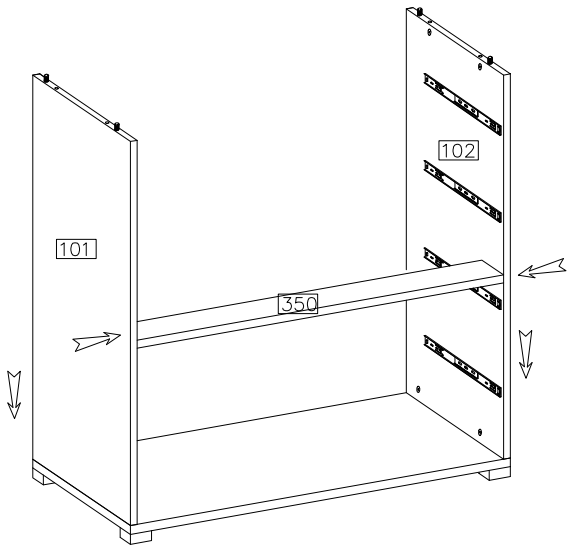
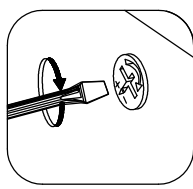
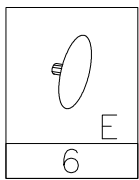


3

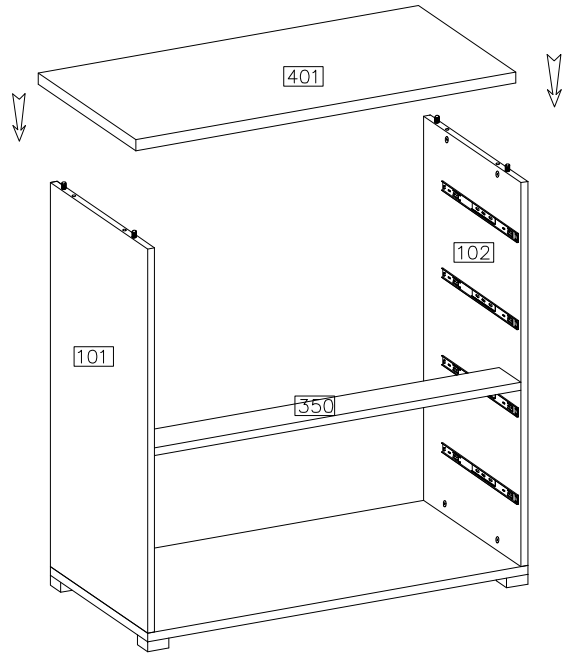
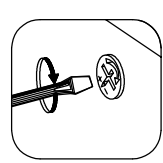
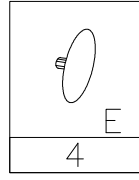
|   |   |   |
|---|---|---|
| $\varnothing 8 \times 30\text{mm}$<br><br>A<br>8 | $\varnothing 15/12\text{mm}$<br><br>C<br>8 | $\varnothing 4.0 \times 16\text{mm}$<br><br>P1<br>24 |
| <br>D1<br>2                                      | <br>14<br>4KPL                             |   |



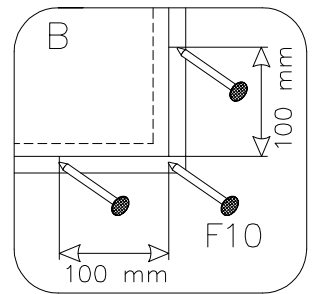
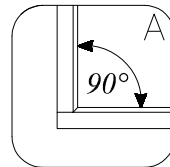
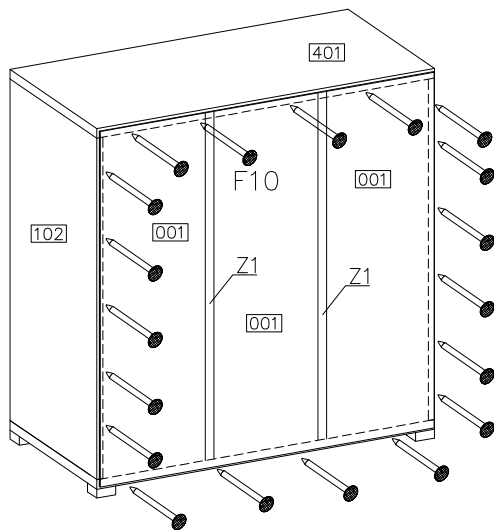
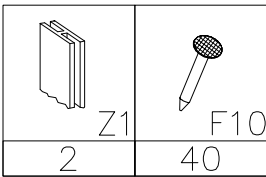
4



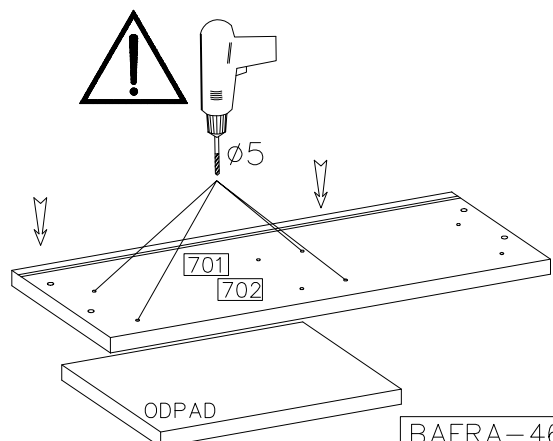
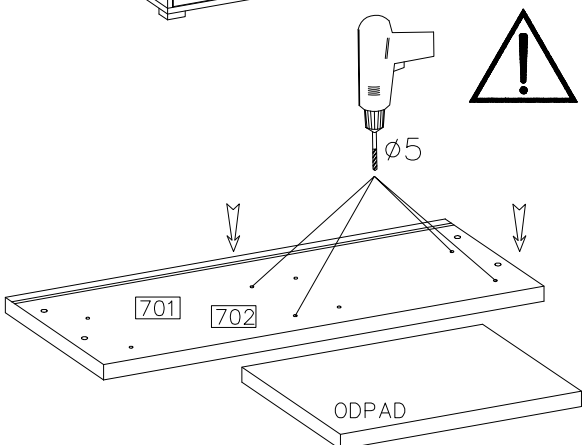
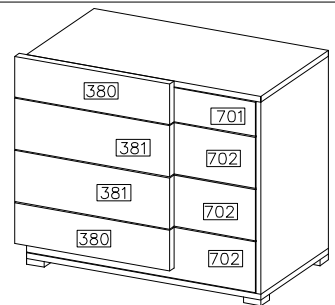
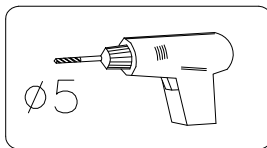
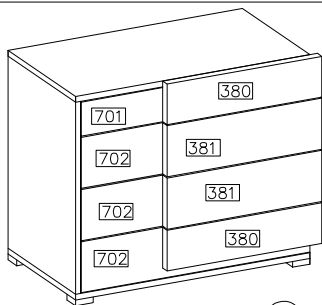
5



6



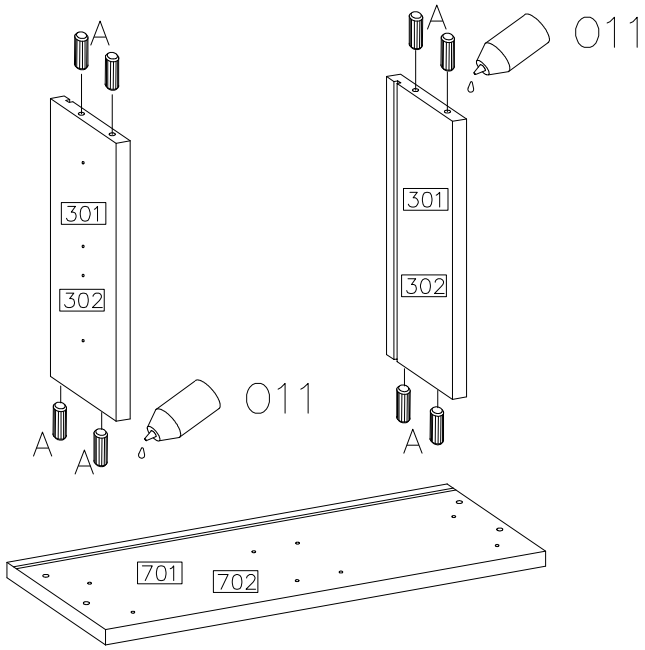
7



8

|         |  |     |
|---------|--|-----|
| ∅8x30mm |  |     |
| A       |  | 011 |
| 32      |  |     |

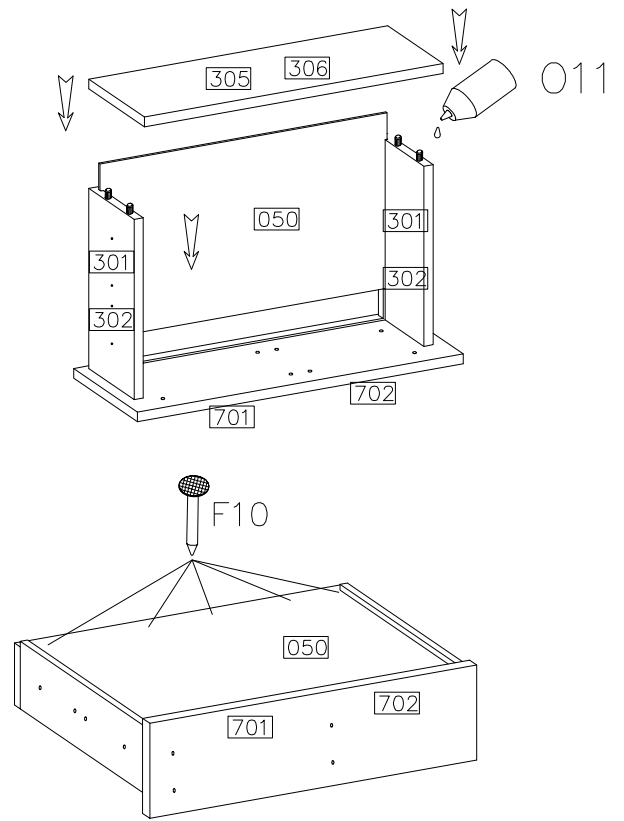
4x



9

|     |     |
|-----|-----|
|     |     |
| F10 | 011 |
| 40  |     |

4x



10

|      |           |          |    |
|------|-----------|----------|----|
|      | ∅4.0x16mm | 4.0x40mm |    |
| I4   | P1        | R2       | C2 |
| 4KPL | 24        | 16       | 16 |

